

LV-150C

LV-150SS



Single Handle Pull Out Kitchen Faucet

Product Spec Sheet



FEATURES & BENEFITS

- This Product Contains Less Than 0.25% Weighted Average Lead Content On Wetted Surfaces
- One Hole or Three Hole Installation
- Metal Lever Handle
- Ceramic Cartridge
- Optional Deckplate Included
- Max Flow Rate 1,5 GPM (5.7L/Min) At 60 PSI (ASME A112.18.1/A112.18.1)

LV-150C
Chrome Finish

LV-150SS
Stainless Steel Finish

Approvals:

Meets or Exceeds The Following:

- * ANSI/ASME A112.18.1/A112.18.1
- * NSF/ANSI 61 - Sec. 9
- * NSF/ANSI 372
- * IAPMO/cUPC
- * CA AB1953
- * ADA Compliant
- * NSF/ANSI/CAN 61: $Q \leq 1$



TEL: 800-431-2082

FAX: 800-640-2252

Visit Our Web Site : www.matco-norca.com

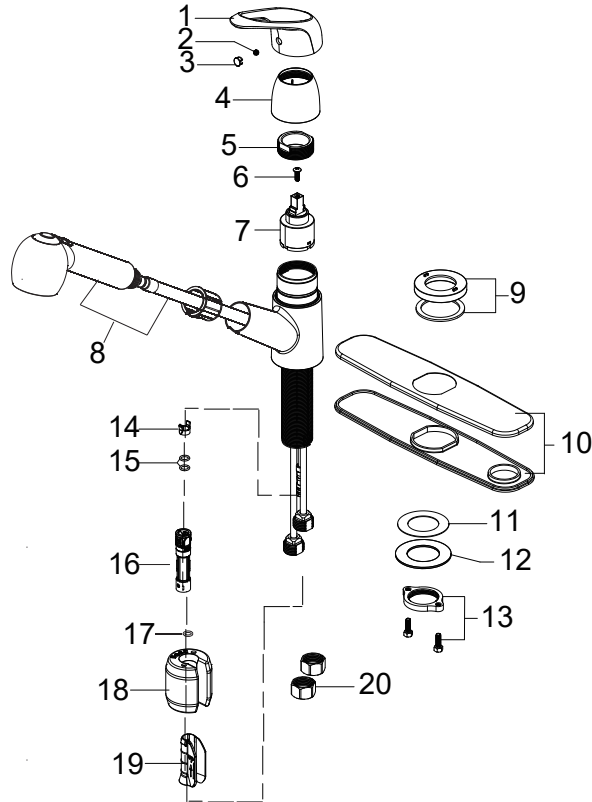
□ **LV-150C**

□ **LV-150SS**

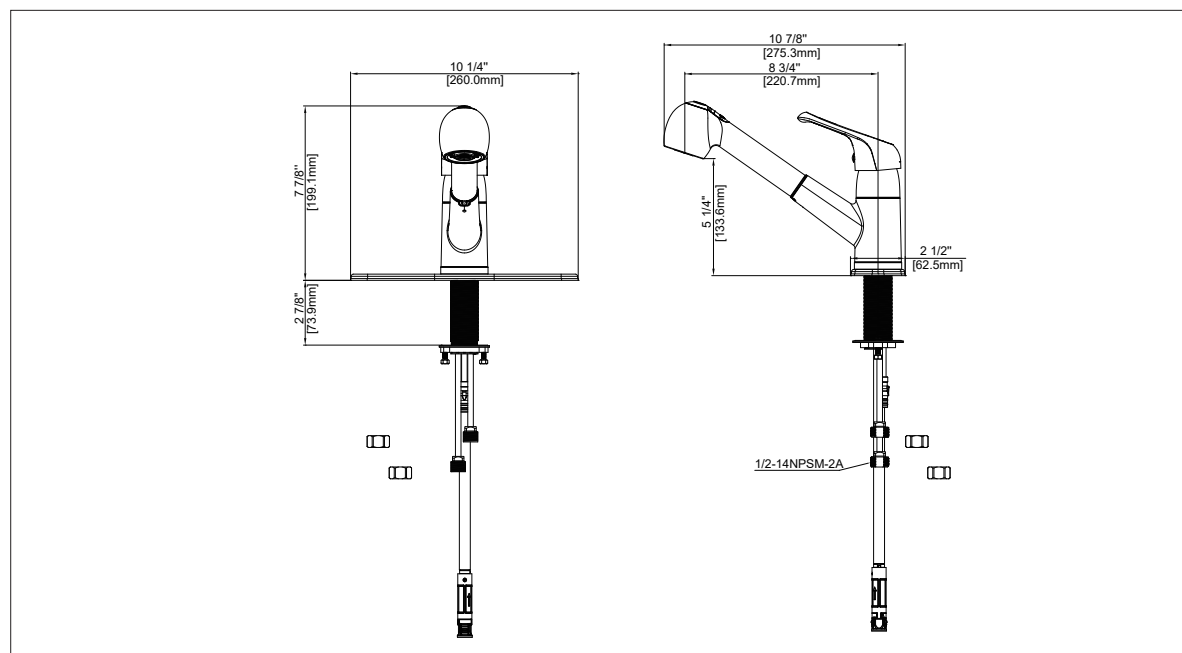
**MATCO
NORCA**

Single Handle Pull Out Kitchen Faucet

No.	Name	Part No.
1	Handle / Llave	RP13033*
2	Set screw / Tornillo de fijación	RP50002
3	Index / Índice	RP10006
4	Cap / Tapa	RP80884*
5	Bonnet / Bonete	RP70880
6	Screw / Tornillo	RP50015
7	Cartridge / Cartucho	RP20044
8	Spray head and Hose / Cabezal rociador y manguera	RP38501*
9	Flange & washer / Brida y arandela	RP80314*
10	Escutcheon / Placa protectora	RP80605*
11	Plastic washer / Arandela plástica	RP64131
12	Metal washer / Arandela metálica	RP64146
13	Nut & Screw / Tuerca y Tornillo	RP56123
14	Block / Bloque	RP70421
15	O-ring / Aro tórico	RP60002
16	Quick connect assembly / Ensamblaje del conector rápido	RP70429
17	O-ring / Aro tórico	RP60089
18	Weight / Peso	RP70689
19	Weight clip / Sujetador con peso	RP70609
20	Coupling nut / Tuerca de acoplamiento	RP56002



* Specify Finish
* Especific í que el Acabado



Product Spec Sheet