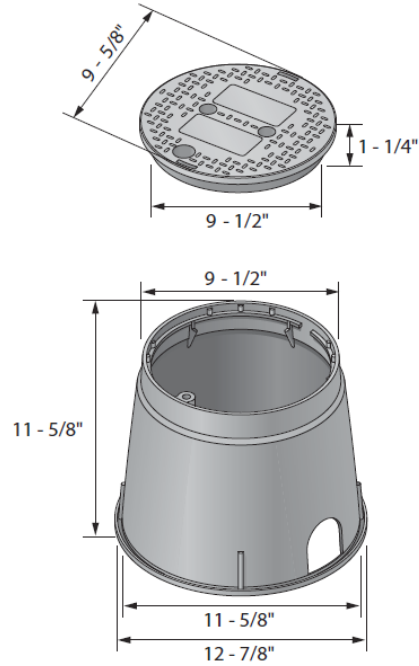




Circular Valve Box

**Specifications:**

Furnish and install Water-Tite circular valve box. 10" circular valve boxes and covers are injection molded of recycled polyolefin material. The 10" round body shall be tapered and have a minimum wall thickness of .200". The body shall have a double wall at the top cover seat area with a minimum thickness of .130". The cover seat area shall have 6 structural support ribs on the underside of the seat, each with a minimum thickness of .200". The bottom of the body shall have a .500" flange. The 10" round cover shall have an average thickness of .187". Product shall be Water-Tite product code checked below as manufactured by IPS Corporation.



√	Product Code #	Product Description	Model #	Units/Case
	83355	10" round with green overlapping lid	VB2	1
	83357	10" round green valve box cover	VB2L	1

