

Features

- 8" (203 mm) center
- 7-5/16" (186 mm) wall-to-spout outlet with wall brace and pail hook
- 1/4-turn full brass ceramic valve
- 13.5 gal/min (51 l/min) flow rate at 60 psi (4.1 bar)
- 2-7/16" vandal-resistant metal lever handles
- Threaded spout for hose connection
- Atmospheric vacuum breaker to prevent back flow (not intended for continuous pressure)
- Drain sold separately

Material

- Solid-brass construction with thick chrome plating for rough commercial applications

Installation

- Eccentric inlet shanks for easy installation



ADA

CSA B651

OBC

Codes/Standards

ASME A112.18.1/CSA B125.1

ADA

ICC/ANSI A117.1

CSA B651

OBC

KOHLER[®] One-Year Limited Warranty

See website for detailed warranty information.

Available Colors/Finishes

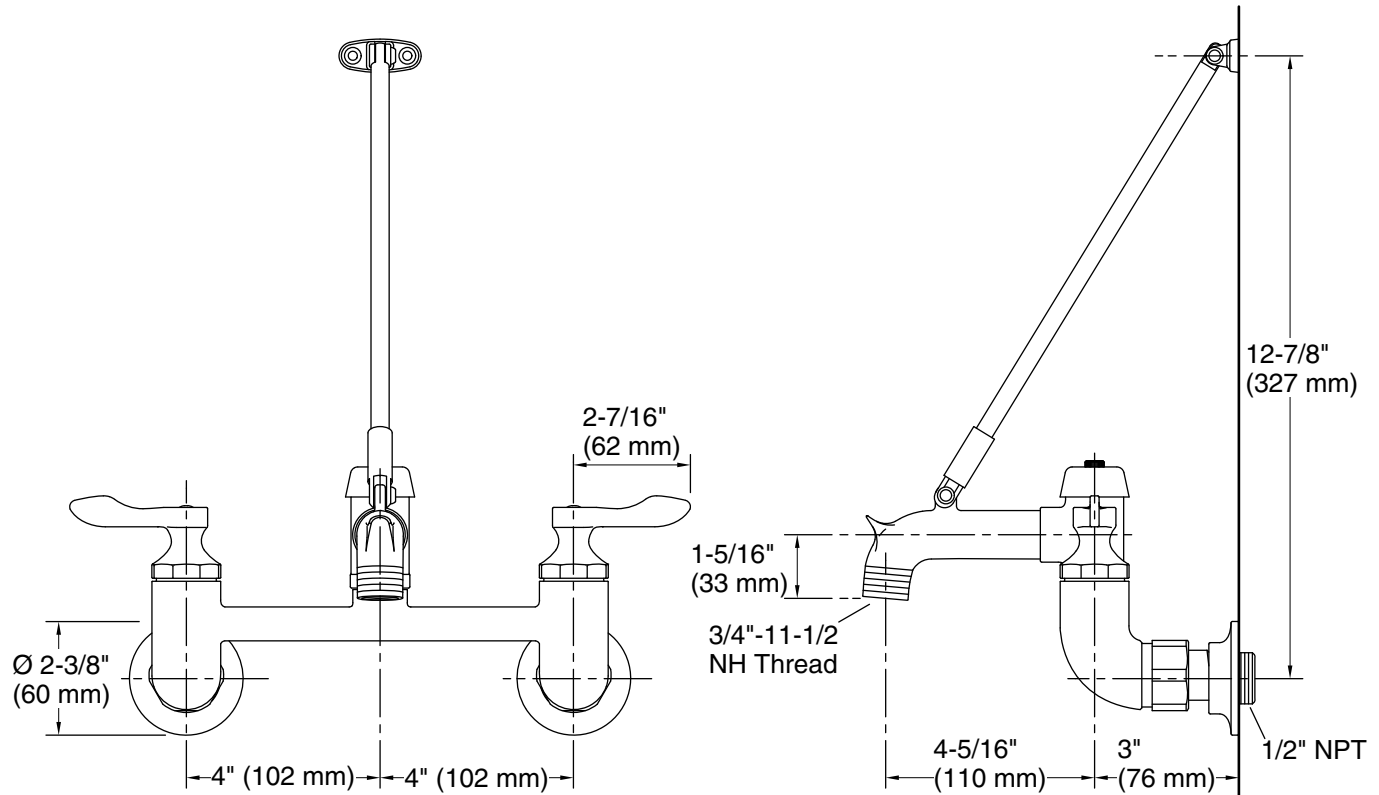
Color tiles intended for reference only.

Color	Code	Description
-------	------	-------------



CP

Polished Chrome



Technical Information

All product dimensions are nominal.

Faucet flow rate: 13.5 gal/min (51.1 l/min)

Spout:

Spout reach: 7-5/16" (186 mm)

Handle clearance: 2-7/16" (62 mm)

Notes

Install this product according to the installation instructions.

ADA compliant for faucet handles only

ADA, OBC, CSA B651 compliant when installed to the specific requirements of these regulations.