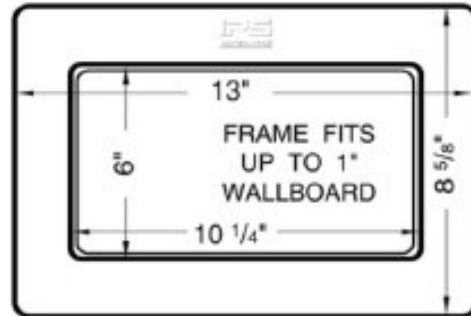
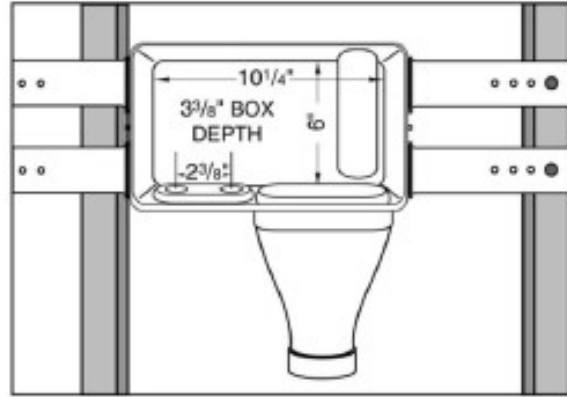
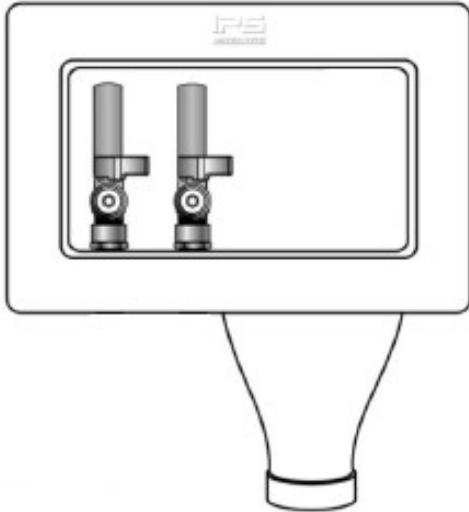


SPECIFICATION SUBMITTAL SHEET



**RIGHT HAND WIDE MOUTH WMOB**  
With Quarter Turn Arrestor Valves



**Specifications:**

Furnish and install wide mouth washing machine outlet box with right hand drain option with integral hammer arrestor quarter turn valve. Unit shall be Water-Tite product code as manufactured by IPS Corporation. Valves comply with ASME A112.18.1. Hammer arresters comply with ASSE 1010

Item #	Product Description	Model #	Case Qty.
87404	Brass Qtr-turn Arrestter Valves, Installed, 1/2" F1807 Conx.	W8902HA	10
<b>Contractor Pack</b>			
87390	Brass Qtr-turn Arrestter Valves, Installed, 1/2" Sweat Conx	W8900HACP	10
87407	Brass Qtr-turn Arrestter Valves, Installed, 1/2" CPVC Conx	W8901HACP	10
87401	Brass Qtr-turn Arrestter Valves, Installed, F1960 Conx	W8911HACP	10
<b>Top Mount Contractor Pack</b>			
87388	Brass Qtr-turn Arrestter Valves, Installed, 1/2" Sweat Conx, Top Mount	W8900HACPTM	10
87389	Brass Qtr-turn Arrestter Valves, Installed, 1/2" F1807 Conx., Top Mount	W8902HACPTM	10
87408	Brass Qtr-turn Arrestter Valves, Installed, F1960 Conx. Top Mount	W8911HACPTM	10

