

FIXTURE SUPPORTS

FIG. 0700, 0700D LAVATORY SUPPORTS WITH CONCEALED ARMS FLOOR MOUNTED WITH "PRO-SET" UPRIGHTS FOR HIGH BACK LAVATORIES



FIXTURE SUPPORTS

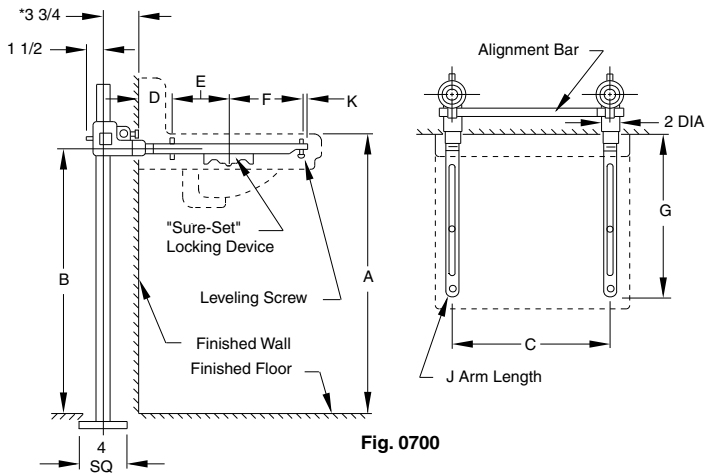


Fig. 0700

FIGURE NO.	DESCRIPTION	PRICE	APPROX. WT. LBS.
0700	Single Support	745.00	29
0700D	Back to Back Support	1,061.00	41

NOTE: *This dimension can be increased when fixture support is to be installed behind the wall. (Specify when required and wall thickness).

For lettered dimensions contact factory.

FIG. 0700-27, 0700-27-M31, 0700D-27-M31 LAVATORY SUPPORTS WITH CONCEALED ARMS FLOOR MOUNTED TYPE FOR FLAT SLAB LAVATORIES

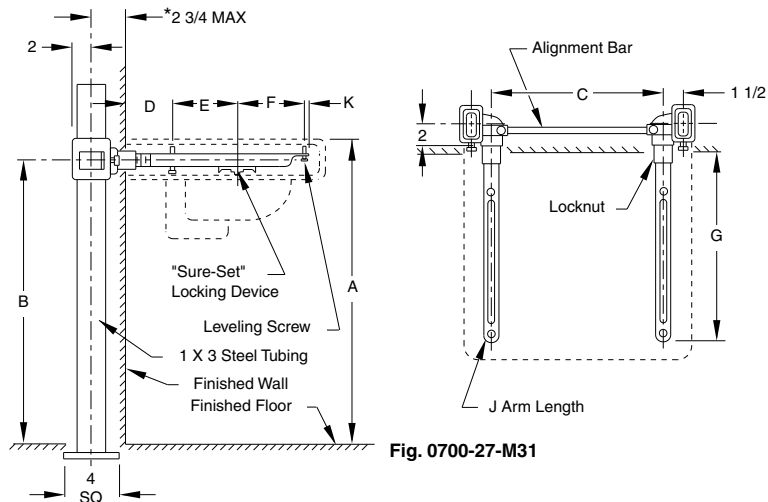


Fig. 0700-27-M31

FIGURE NO.	DESCRIPTION	PRICE	APPROX. WT. LBS.
0700-27	Single Support for Wheelchair Lavatories	795.00	34
0700-27-M31	Single Support for Wheelchair Lavatories with Heavy Duty Rectangular Uprights	795.00	34
0700D-27-M31	Double Support for Wheelchair Lavatories with Heavy Duty Rectangular Uprights	1,161.00	40

NOTE: *This dimension can be increased when fixture support is to be installed behind the wall. (Specify when required and wall thickness).

For lettered dimensions contact factory.

NOTE: Service weight regularly furnished on fittings above.
NOTE: Always specify fixture manufacturer's model name and number.

†REGULARLY FURNISHED