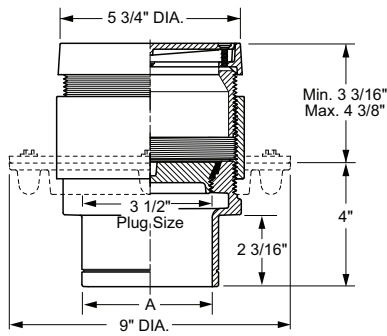


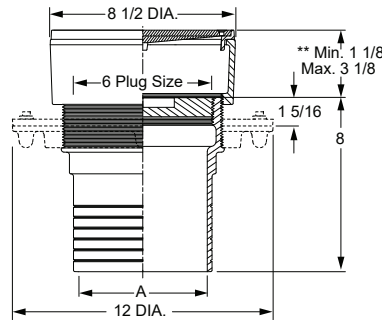
CLEANOUTS

FIG. 4020-4033 SERIES FINISHED FLOOR CLEANOUTS W/ADJUSTABLE ROUND MEDIUM DUTY TOPS

FUNCTION: For use in finished floors bearing foot and medium load wheeled traffic. Allows for easy floor level adjustment.



4020 SERIES



4023 SERIES

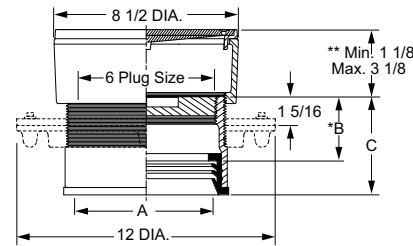


OPTIONS:

-DX	Wide Flange	354.00
-F	Flange	N/C
-FC	Flange w/Flashing Clamp	80.00
-G	Galvanized Cl	165.00
-IP	Iron Plug (In lieu of ABS).....	72.00
-NBSS	Stainless Steel Top (2", 3" & 4" sizes)	407.00
-U	Vandal Proof Screws	72.00
-X	Carpet Clamping Type	214.00
-Y	Carpet Marker Type	58.00

REPLACEMENT COVERS:

4020NBTP4-NS	520.00
4020NBTP6-NS	716.00
4020NBTP4-NS-SS	929.00
4020PBTP4-NS	432.00
4020PBTP6-NS	668.00



4033 SERIES

A SIZE	B	C
06	*3	4 9/16
08	*3 1/4	4 13/16

NOTE: When Flange -F is specified, Min. 1 1/8" becomes 1 5/8"

WITH ABS PLUG	SPIGOT• OUTLET	INSIDE CAULK OUTLET	SPEEDI- SET* OUTLET	A - OUTLET SIZE						
				COVER MATERIAL	02"	03"	04"	±05"	**06"	**08"
Gasket Seal Plug	4020S	4025C	4031L	†Nickel Bronze (-NB)	470.00	497.00	663.00	1,081.00	-	-
				Polished Bronze (-PB)	425.00	452.00	618.00	1,036.00	-	-
Taper Thread Plug	❖4024S	4029C	4034L	†Nickel Bronze (-NB)	470.00	497.00	663.00	1,081.00	-	-
				Polished Bronze (-PB)	425.00	452.00	618.00	1,036.00	-	-
WITH BRZ PLUG	SPIGOT• OUTLET	INSIDE CAULK OUTLET	SPEEDI- SET* OUTLET	A - OUTLET SIZE						
				COVER MATERIAL	02"	03"	04"	±05"	**06"	**08"
Gasket Seal Plug	4021S	4026C	4032L	†Nickel Bronze (-NB)	615.00	640.00	806.00	1,225.00	1,543.00	1,698.00
				Polished Bronze (-PB)	570.00	595.00	761.00	1,180.00	1,498.00	1,653.00
Taper Thread Plug	■4023S**	4028C	4033L**	†Nickel Bronze (-NB)	615.00	640.00	806.00	1,225.00	1,543.00	1,698.00
				Polished Bronze (-PB)	570.00	595.00	761.00	1,180.00	1,498.00	1,653.00
APPROX WT. LBS.				14	15	19	25	28	32	

REGULARLY FURNISHED: Duco Cast Iron Cleanout with Round Adjustable Scoriated Secured Nickel Bronze Top. Closure Plug Type as Indicated by Figure Number Selected.

- ** 6 & 8" Available w/Bronze Taper Plug Only.
- 5, 6 & 8" Not Available w/Inside Caulk Outlet.
- ♦ 5" Available w/Spigot Outlet Only.
- Same as 4024 W/Taper Thread Bronze Plug
- ❖ Same as 4023 W/Taper Thread ABS Plug
- * Speedi-Set Outlet Available with 2, 3, 4, 6 or 8" Connection Only. Specify Service Weight (LXH) or PVC (LPVC). LPVC applies to 6" pipe size only.
- Spigot Ferrules are Suitable for use with No-Hub Connections.

CLEANOUTS