

D



JAY R. SMITH MFG. CO.®
 MEMBER OF MORRIS GROUP INTERNATIONAL
 POST OFFICE BOX 3237
 MONTGOMERY, ALABAMA 36109-0237 (USA)
 TEL: 334-277-8520 FAX: 334-272-7396 www.jrsmith.com



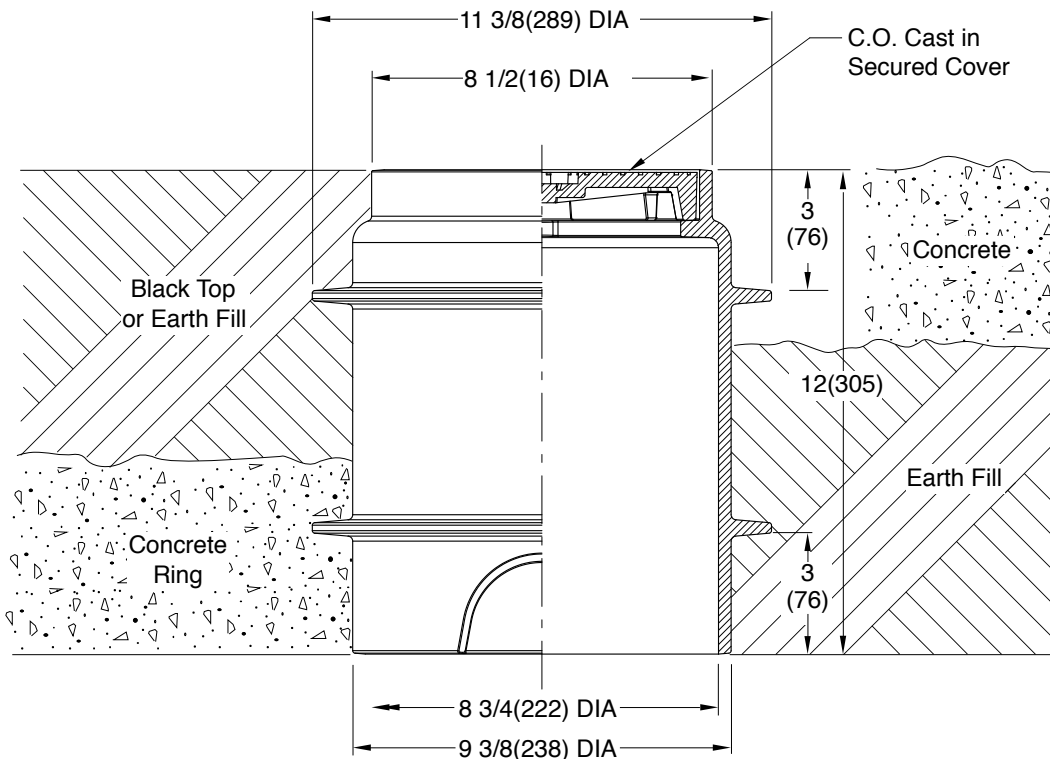
MEMBER OF:

LOCATION

FLOOR ACCESS COVERS

ROUND FLANGED HOUSING WITH HEAVY DUTY CAST IRON COVER

FUNCTION: Used to cover cleanouts, valves, cocks, etc. High anchor flange permits use in areas surfaced with concrete or other poured materials. Low anchor flange is used with a ring of concrete poured below the surface for non-surfaced areas and areas surfaced with asphalt paving. Housing is completely free of piping so that no loading is transmitted to the pipe.



REGULARLY FURNISHED:
 Duco Cast Iron Double Flanged Body with Heavy Duty Secured Scoriated Cast Iron Cover with Lifting Device.

VARIATIONS:

- Vandal Proof Screws -U
- Cover Cast with Words
- "Gas Shut-Off -GSO or
- "Water Shut-Off -WSO

OPTIONAL MATERIALS:

- Galvanized -G
- Ductile Iron Cover -DI
- Nickel Bronze Top -NB
- Polished Bronze Top -PB

NOTE: Dimensions shown in parentheses are in millimeters.

DRAWING NUMBER
S4880

SIZE
A

SCALE:
NONE

DATE:
2-10-86

APPROVED BY:
JD

CHECKED BY:
CR

DRAWN BY:
CM

4880

WE CAN ASSUME NO RESPONSIBILITY FOR USE OF SUPERSEDED OR VOID DATA

DIMENSIONS ARE SUBJECT TO MANUFACTURERS TOLERANCE AND CHANGE WITHOUT NOTICE

D	11-10-16	Revised Drawing, New Body Style	TBW	CL	WEIGHT POUNDS	VOLUME CUBIC FEET	FIGURE NUMBER 4880
C	10-10-16	Rev. Optional Materials	TBW	CL			
B	1-23-96	Added Millimeters	EMB	BS			
A	1-11-95	Submital Update	EMB	BS			
REV.	DATE	DESCRIPTION	BY	CKD. BY			