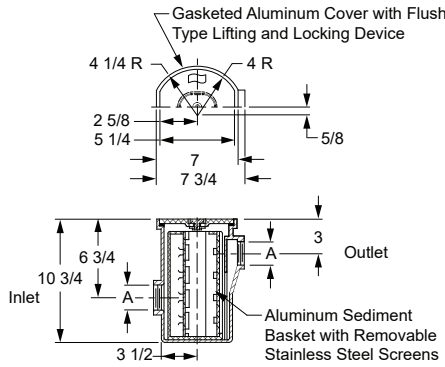


# INTERCEPTORS

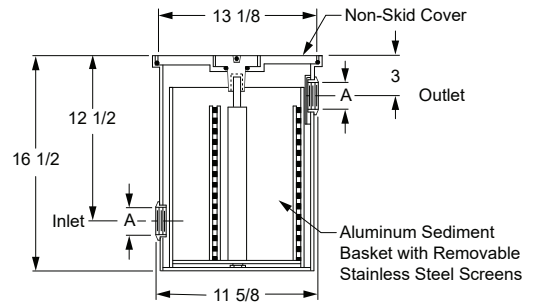


## FIG. 8710, 8714, 8715 SOLIDS INTERCEPTOR FLUSH W/FLOOR, ON-THE FLOOR OR FIG. 8730 SUSPENDED TYPE

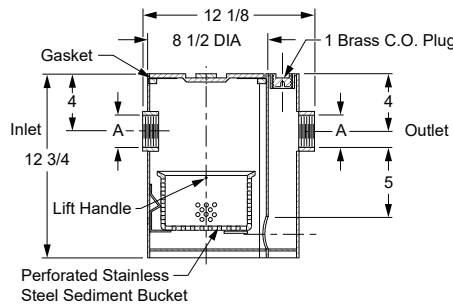
**FUNCTION:** Provides a means of collecting solids such as metal chips, plaster and stones before entering the drain line preventing line stoppage. The Fig. 8710 and Fig. 8714 small capacity interceptors are ideal for dental offices or similar establishments where the unit can be mounted directly under the sink to recover precious metals as well as intercept harmful debris. Fig. 8715 larger capacity interceptors are ideal for hospitals where a greater amount of solids is anticipated in the drainage water. Fig. 8710 and Fig. 8715 units are cleaned by removing cover and lifting strainer and screen assembly vertically out of body. Fig. 8714 has an internal deep seal trap and is cleaned by removing cover and lifting sediment bucket vertically out of the body. The compact design of Fig. 8730 suspended type makes this unit particularly adaptable for use directly under the fixture in place of the regular "P" trap. Unit will intercept all types of solids and precious metals. Interceptor is cleaned and inspected by removing bottom sediment strainer plate and dropping entire assembly.



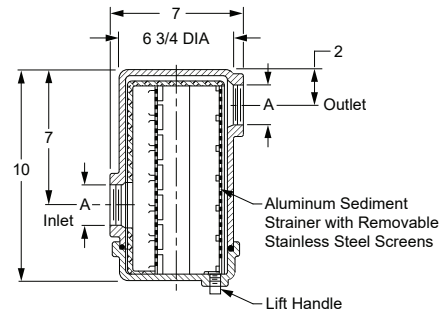
**Fig. 8710**



**Fig. 8715**



**Fig. 8714**



**Fig. 8730**

FLUSH WITH FLOOR OR ON-THE-FLOOR TYPE						
FIGURE NO.	INLET & OUTLET SIZE	†DUCO CI	W/ARC IN (ARI) OR OUT(ARO)	W/ARC IN & OUT(ARIO)	W/ALUM BODY (-AA)	APPROX. WT. LBS.
8710	0150 or 02"	1,658.00	1,772.00	1,772.00	1,507.00	25
8714	0150 or 02"	1,658.00	1,772.00	1,772.00	-	43
8715	0150 or 02"	3,747.00	5,812.00	5,812.00	-	140
SUSPENDED TYPE						
8730-CI	0150 or 02"	1,658.00	1,772.00	1,772.00	1,507.00	20

### REGULARLY FURNISHED:

Fig. 8710 White Duco Coated Cast Iron Body with Aluminum Gasketed Cover and Sediment Strainer with Removable Stainless Steel Screens.

Fig. 8714, Fabricated Steel Body with Galvanized Sub-Coat with White Duco Finish Inside and Outside, Stainless Steel Perforated Bucket and Aluminum Cover.

Fig. 8715 Fabricated Steel Body with Galvanized Sub-Coat with White Duco Finish Inside and Outside, Sediment Strainer with Removable Stainless Steel Screens and Cast Iron Cover.

Fig. 8730, White Duco Coated Cast Iron Body and Aluminum Strainer with Removable Stainless Steel Screens.

INTERCEPTORS