

P



**JAY R. SMITH MFG. CO.®**  
 MEMBER OF MORRIS GROUP INTERNATIONAL  
 POST OFFICE BOX 3237  
 MONTGOMERY, ALABAMA 36109-0237 (USA)  
 TEL: 334-277-8520 FAX: 334-272-7396 www.jrsmith.com



LOCATION

# SAND INTERCEPTOR

DRAWING NUMBER  
S8811

SIZE  
A

SCALE:  
NONE

DATE:  
7-9-87

APPROVED BY:  
CR

CHECKED BY:  
BS

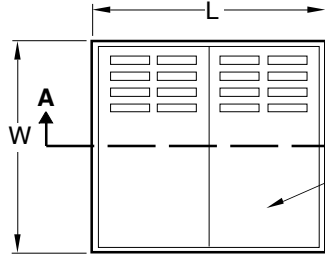
DRAWN BY:  
WAS

8811

FIGURE NUMBER

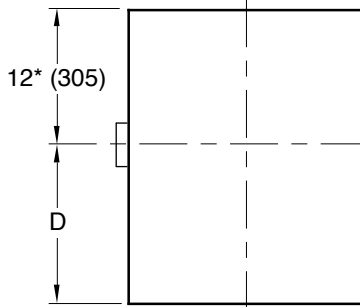
WE CAN ASSUME NO RESPONSIBILITY FOR USE OF SUPERSEDED OR VOID DATA

DIMENSIONS ARE SUBJECT TO MANUFACTURERS TOLERANCE AND CHANGE WITHOUT NOTICE

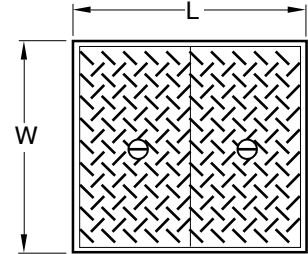


TOP VIEW

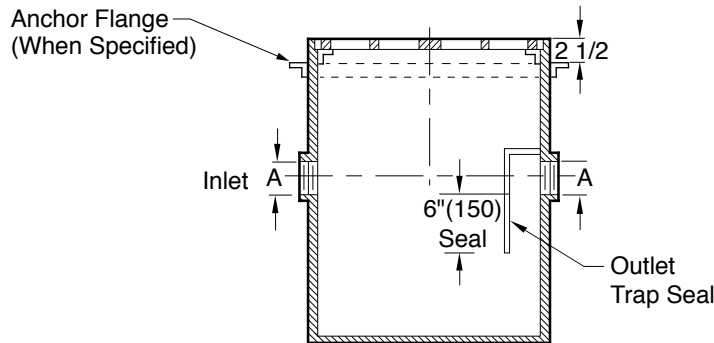
Cast Iron Grates



FRONT VIEW



TOP VIEW - SHD OPTION  
(Note: Tread Pattern May Vary)



SECTION "A-A"

Fig. No.	Flow G.P.M. (Max)	A (Pipe Size)	L	W	D	Capacity (Static) Gals	No. of 12 x 24 Grates
8811-20	20	04 (100)	24 5/8 (631)	24 5/8 (631)	26 (660)	60	2
8811-50	50	04 (100)	48 5/8 (1235)	24 5/8 (631)	26 (660)	120	4
8811-150	150	04 (100)	48 5/8 (1235)	49 (1245)	38 (965)	360	8
8811-250	250	06 (150)	72 5/8 (1844)	49 (1245)	39 (990)	540	12
8811-350	350	06 (150)	96 5/8 (2454)	49 (1245)	45 (1143)	855	16
8811-500	500	06 (150)	120 5/8 (3063)	49 (1245)	51 (1295)	1200	20

**REGULARLY FURNISHED:**

Fabricated Steel Catch Basin, Gray Duco Coated Inside and Outside, Threaded Inlet and Outlet (with Outlet Trap Seal) and Cast Iron Grates.

\*12"(305) Regularly furnished - Specify dimension if lower is required. For higher dimension, specify extension (-E) as required.

**VARIATIONS:**

- \*Extension -E (Specify Height eg: -E24 for 24"(610) Ext. (Ext. Height shall be measured from top of body)
- NO-HUB Adaptor (2) Req'd (Specify Fig. 2646Y)
- Solid Heavy Duty Diamond Plate Cover -SHD
- Vandal Proof Screws -U
- Secured Grate
- Anchor Flange -F

**OPTIONAL MATERIALS:**

- Ductile Iron Grates -M (8811 Series)
- Ductile Iron Slotted Grate (Load Class H20)

**NOTE:** It is the responsibility of the installer to check all parts (internal and external) to verify they are in their proper operating order and location.

•• **NOTE:** When specifying H20 Ductile Iron Slotted Grates, additional supports are furnished under each grate.

**NOTE:** Dimensions shown in parentheses are in millimeters.

P	5-18-16	Rev. Reg. Furn., Callout	TBW	CL	WEIGHT POUNDS	VOLUME CUBIC FEET	FIGURE NUMBER <b>8811</b>
N	2-12-16	Revised Table	TBW	TWK			
M	12-8-14	Rev. Table, Var., Drawing	TBW	TWK			
L	3-21-14	Revised Table	TBW	AM			
REV.	DATE	DESCRIPTION	BY	CKD. BY			