

# Save Time & Money

with our *EASY* to use

**Inside Pipe Fit and LevelBest®  
Drainage and Cleanout Systems**

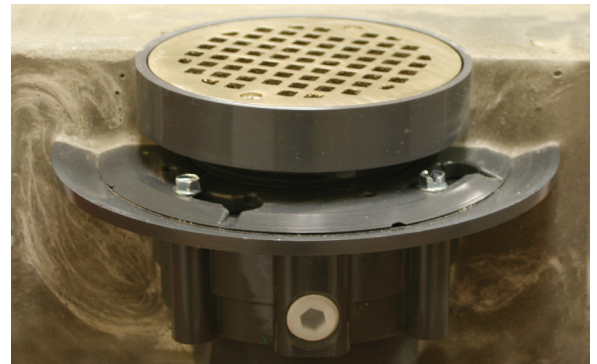
**EASY!**

## **Inside Pipe Fit Drain & Cleanout System**



Drains and cleanouts can be glued inside the pipe after the concrete has been poured!

## **LevelBest PVC Rough-In Adapter**



Cast Iron or PVC Drains & Cleanouts can be adjusted after the concrete pour.

**No More Chisel, No More Taping,  
No More Damaged Strainers or Covers!**



**Jones Stephens South**  
3249 Moody Parkway  
Moody, AL 35004  
Phone 800-355-6637  
Fax 800-462-6991

**Jones Stephens North**  
50 Keystone Blvd. East  
Pottsville, PA 17901  
Phone 800-325-8999  
Fax 866-922-0076

[www.jonesstephens.com](http://www.jonesstephens.com)

# Inside Pipe Fit Drain & Cleanout System



*Cover is the same diameter as the pipe to provide full coverage every time!*

**EASY!  
INEXPENSIVE!  
QUICK!**

## Drains

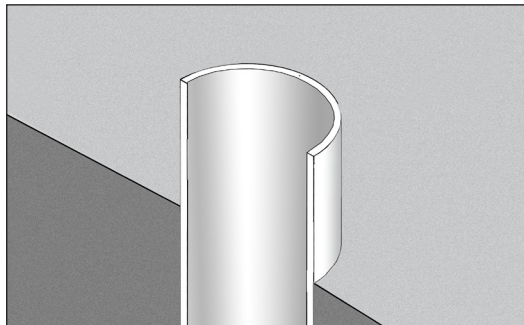
Part No.	Base	Strainer
D60130	3"	3-1/2" OD Nickel Bronze
D60140	4"	4-1/2" OD Nickel Bronze

## Cleanouts

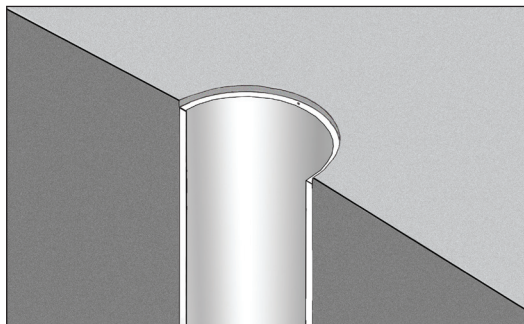
Part No.	Base	Cover
C60170	4"	4-1/2" OD Nickel Bronze
C60171	4"	4-1/2" OD Cast Iron
C60172	3"	3-1/2" OD Nickel Bronze

## HOW IT WORKS!

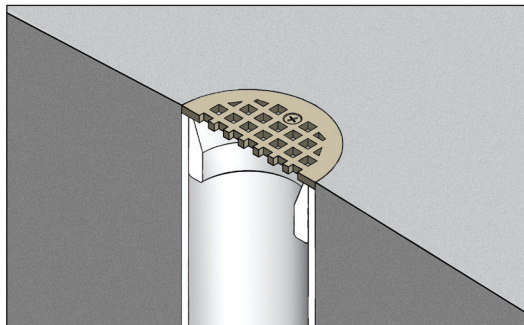
### Concrete Floor Application



The concrete should be poured so that the pipe stack is above the finished surface.

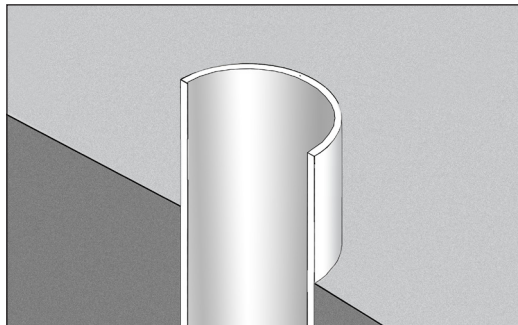


After concrete is complete, use a Plumbest EZ Stroke pipe saw to cut flush with concrete. Then, use a socket saver or inside pipe cutter to trim pipe 3/8" below concrete surface.

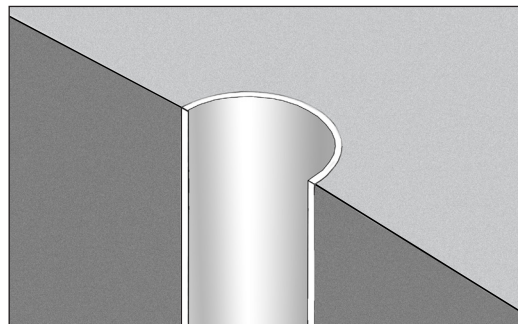


The inside pipe fit drain/cleanout can easily be glued into the pipe creating a level surface once the strainer is installed. No chisel or tape needed!

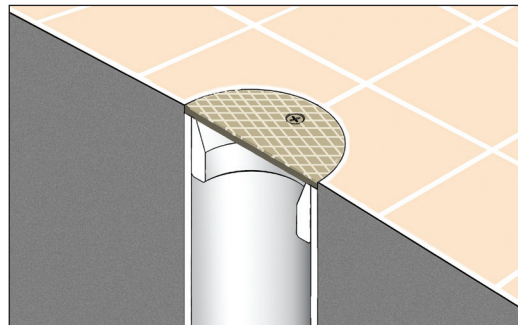
### Tile Floor Application



The concrete should be poured so that the pipe stack is above the finished surface.



After concrete is complete, use a Plumbest EZ Stroke pipe saw to cut flush with concrete. The inside pipe fit drain/cleanout can easily be glued into the pipe.



Lay tile to the edge of the cover or strainer. No chisel or tape needed!

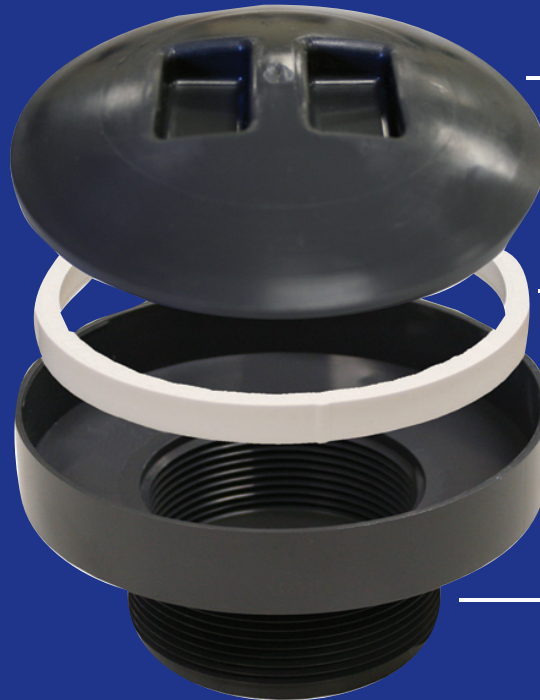
# ADJUST HEIGHT BEFORE & AFTER CONCRETE POUR!

## LevelBest

### PVC Rough-In Adapter

used for Cast Iron or PVC Drains & Cleanouts

- **LevelBest** can be used with most manufacturers' products! Industry Standard iron pipe size threads compatible with most adapter and drain bodies.
- **LevelBest** is the only product on the market that is compatible with most plastic and brass spuds used in the industry.
- **LevelBest** is the only product that includes the spacer ring that can be used with brass spuds.
- PVC, ABS or CAST IRON drains and cleanouts are compatible with **LevelBest**.
- **LevelBest** can be used with tile rings.

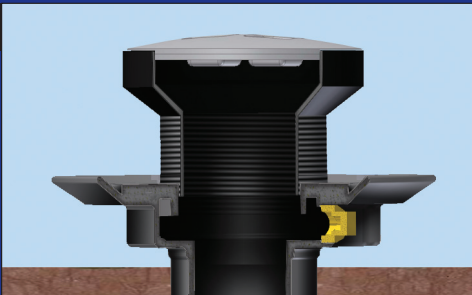


**Removable Cap** -  
Remove after  
concrete is poured

**Optional Spacer** -  
Included for brass  
spuds

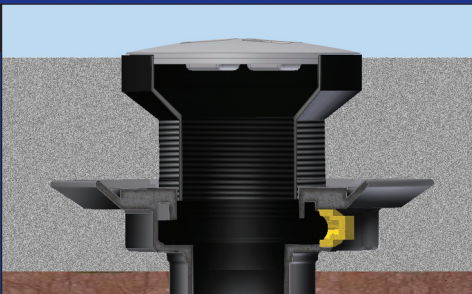
**LevelBest PVC  
Rough-in Adapter** -  
Allows adjustment to  
floor level after concrete  
is poured

1



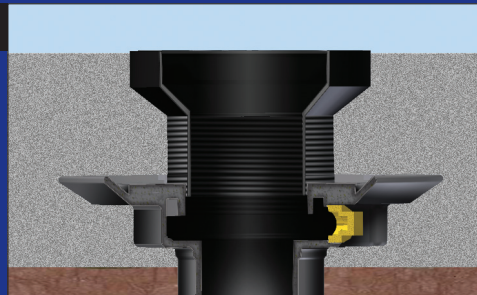
Set drain with LevelBest rough-in adapter at concrete pour level. The height can be adjusted by tightening or loosening the adapter.

2



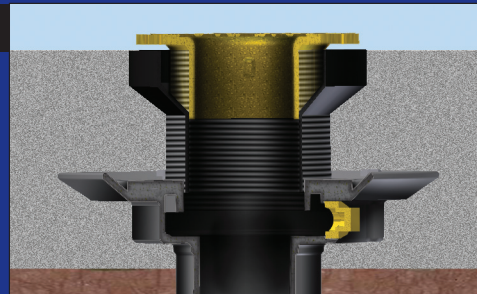
The concrete should be poured so that it is level to the top of the LevelBest adapter. The cap of the LevelBest allows the slab to be finished easily without using a hand trowel.

3



After concrete pour is complete, remove the temporary cap with pliers or water meter key as shown on the label. The cap eliminates the need for duct tape or other protective coating on the cover or strainer. The strainer spuds or the cleanout spuds are installed after the pour.

4



Install the spud and strainer and adjust to meet the floor covering. The adjustment of the spud eliminates the need to break and repair the floor when the concrete is poured too high. Use grout or silicone to seal.

# LevelBest Complete Drains & Cleanouts System



LevelBest Adapter System	
Part No.	Size
D50448	3-1/2" x 3" x 6"
D50449	4" x 3-1/2" x 6"
D50450	4" x 3-1/2" x 5"
D50451	3-1/2" x 3" x 5"
D50452	5" Replacement Cap
D50453	5" Replacement Ring
D50454	Leveling Shim for 5" Strainer



PVC Pipe Fit Drain System			
Part No.	Size	Spud	Strainer
D50460	3" x 4"	3" Plastic	5" NB
D50461	3" x 4"	3" Metal	5" NB
D50473	3" x 4"	3" Plastic	6" NB
D50486	3" x 4"	3-1/2" Plastic	5" NB
D50469	3" x 4"	3" Plastic	6 1/8" NB Sq.
D50464	over 4"	3" Plastic	5" NB
D50465	over 4"	3" Metal	5" NB
D50474	over 4"	3" Plastic	6" NB
D50470	over 4"	3-1/2" Plastic	5" NB
D50471	over 4"	3-1/2" Metal	5" NB
D50472	over 4"	3-1/2" Plastic	6" NB



PVC Pipe Fit Cleanout System			
Part No.	Size	Spud	Cover
C59243	3" x 4"	3" Plastic	5" NB
C59243	3" x 4"	3" Metal	5" NB
D50481	3" x 4"	3" Plastic	6" NB
C59244	over 4"	3" Plastic	5" NB
C59245	over 4"	3" Metal	5" NB
C59250	over 4"	3-1/2" Plastic	5" NB
C59251	over 4"	3-1/2" Metal	5" NB
D50482	over 4"	3" Plastic	6" NB
D50480	over 4"	3-1/2" Plastic	6" NB



PVC Hub Fit Drain System			
Part No.	Size	Spud	Strainer
D50462	4"	3" Plastic	5" NB
D50463	4"	3" Metal	5" NB



PVC Hub Fit Cleanout System			
Part No.	Size	Spud	Cover
C59240	4"	3" Plastic	5" NB
C59241	4"	3" Metal	5" NB



PVC Heavy Duty Drain System			
Part No.	Size	Spud	Strainer
D49640	over 4"	3" Plastic	5" NB
D49641	over 4"	3" Metal	5" NB
D49646	over 4"	3-1/2" Plastic	5" NB
D49647	over 4"	3-1/2" Metal	5" NB
D49644	2" x 3"	3" Plastic	5" NB
D49645	2" x 3"	3" Metal	5" NB
D49650	2" x 3"	3-1/2" Plastic	5" NB
D49651	2" x 3"	3-1/2" Metal	5" NB
D49642	3" x 4"	3" Plastic	5" NB
D49643	3" x 4"	3" Metal	5" NB
D49648	3" x 4"	3-1/2" Plastic	5" NB
D49649	3" x 4"	3-1/2" Metal	5" NB
D50477	3"	3-1/2" Plastic	6" NB
D50479	4"	3-1/2" Plastic	6" NB

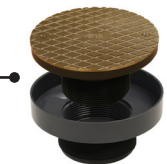
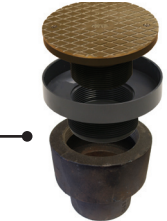
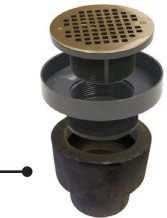
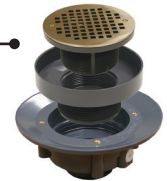
PVC Heavy Duty Slab Drain System			
Part No.	Size	Spud	Strainer
D49652	over 4"	3" Plastic	5" NB
D49653	over 4"	3" Metal	5" NB
D49654	3" x 4"	3" Plastic	5" NB
D49655	3" x 4"	3" Metal	5" NB
D49656	2" x 3"	3" Plastic	5" NB
D49657	2" x 3"	3" Metal	5" NB
D49658	over 4"	3-1/2" Plastic	5" NB
D49659	over 4"	3-1/2" Metal	5" NB
D49660	3" x 4"	3-1/2" Plastic	5" NB
D49661	3" x 4"	3-1/2" Metal	5" NB
D49662	2" x 3"	3-1/2" Plastic	5" NB
D49663	2" x 3"	3-1/2" Metal	5" NB

No Hub Cast Iron Drain System			
Part No.	Size	Spud	Strainer
D50478	2"	3" Metal	6" NB
D50475	3"	3" Plastic	6" NB
D50476	4"	3" Plastic	6" NB

No Hub Cast Iron Cleanout System			
Part No.	Size	Spud	Cover
D50485	2"	3" Metal	5" NB
D50483	3"	3" Plastic	6" NB
D50484	4"	3" Plastic	6" NB

LevelBest Adapter with Spud & Strainer Only			
Part No.	Size	Spud	Strainer
D50520	4"	3-1/2" Plastic	5" NB
D50521	4"	3-1/2" Metal	5" NB
D50522	3-1/2"	3" Plastic	5" NB
D50523	3-1/2"	3" Metal	5" NB
D50524	3-1/2"	3-1/2" Plastic	6" NB
D50526	4"	3-1/2" Plastic	6" NB

LevelBest Adapter with Cleanout Only			
Part No.	Size	Spud	Cover
D50525	3-1/2"	3" Plastic	6" NB



**Unique design allows for adjusting height BEFORE & AFTER concrete pour.**

With this adapter, you do not need any special threaded drain or cleanouts with our product line.

Adapts to some other manufacturer's products.