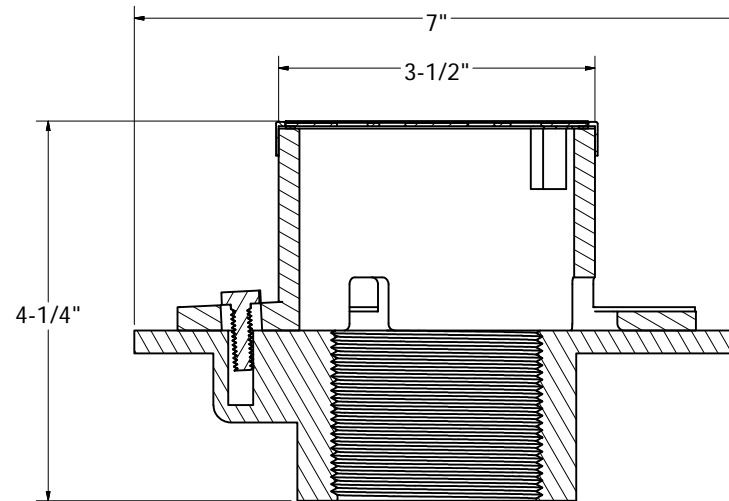
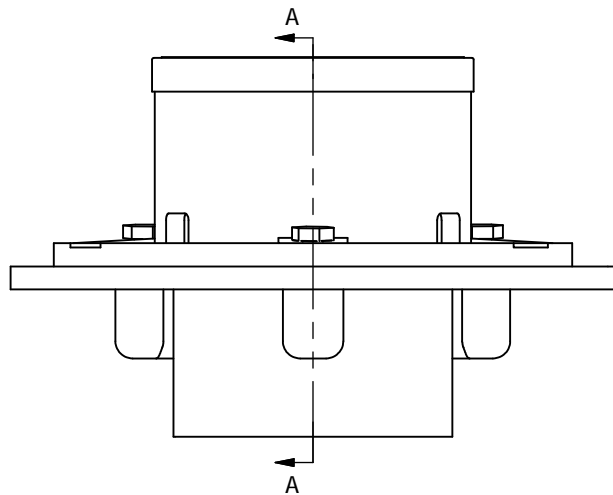
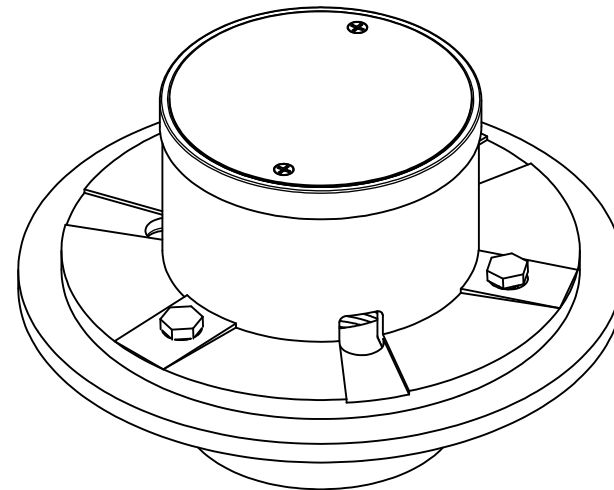
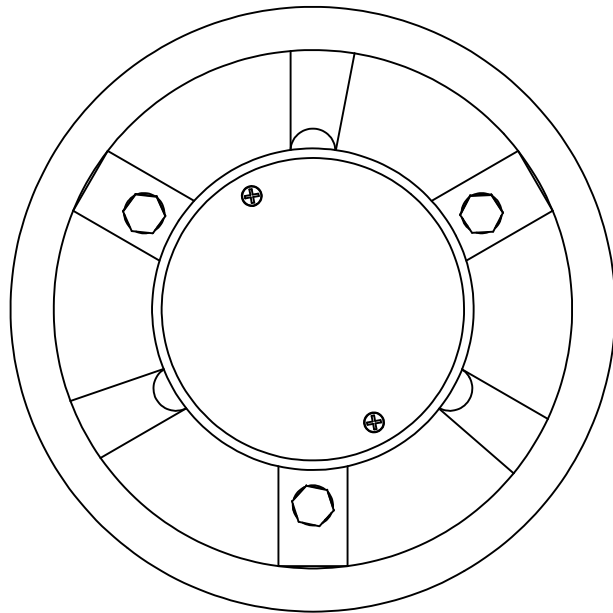


"CODE BLUE" EZ TEST SHOWER DRAINS



SECTION A-A
SCALE .9



PHONE NUMBER
1-800-355-6637
FAX NUMBER
1-800-462-6991
SCALE .9 : 1 DATE 5-20-11
SHEET
1 OF 1
DRAWN BY
ASHLEY KRALOVEC

PART NO.	D64012						
SIZE	2" IPS						
BASE	7"						
STRAINER	SS						