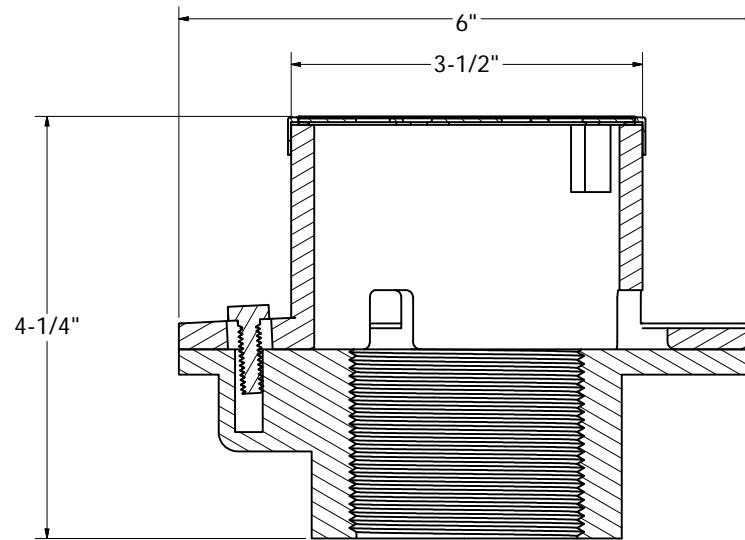
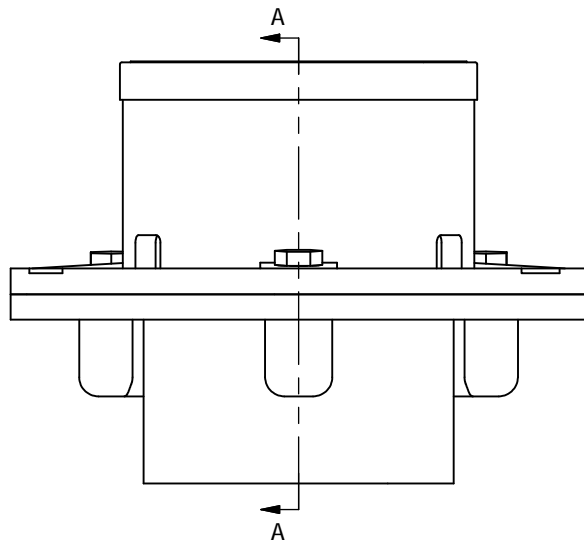
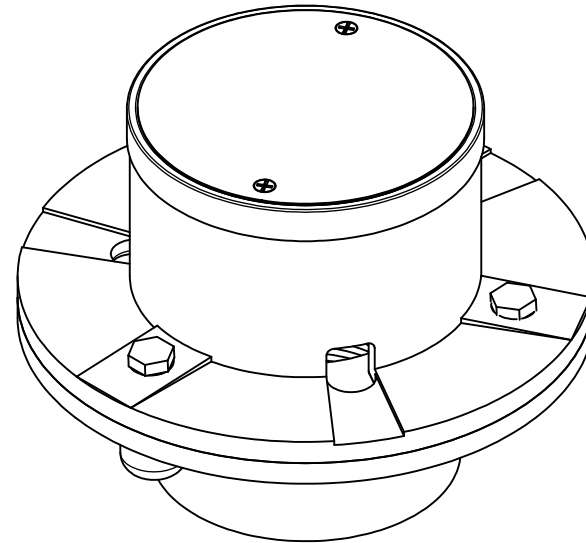
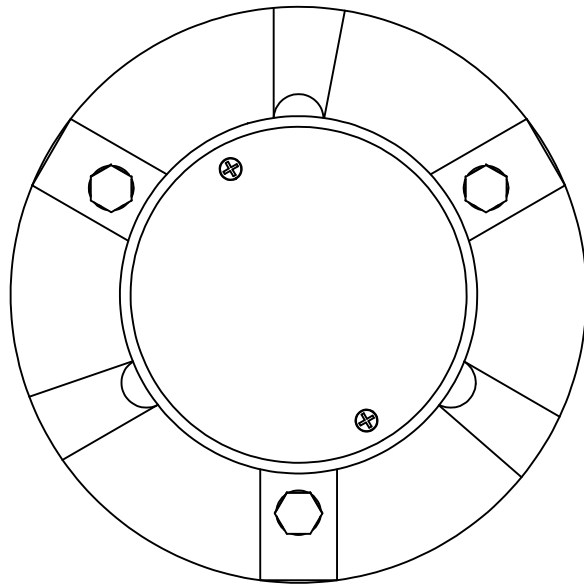


"CODE BLUE" EZ TEST SHOWER DRAINS



SECTION A-A
SCALE 1 : 1



PHONE NUMBER
1-800-355-6637
FAX NUMBER
1-800-462-6991
SCALE 1 : 1 DATE 5-17-11
SHEET 1 OF 1
DRAWN BY
ASHLEY KRALOVEC

PART NO.	D64202						
SIZE	2" IPS						
BASE	6"						
STRAINER	SS						