

# Backflow Preventer Parts



## Model Number

350XL and 350	2
950XL	6
950XLT2, 950XLT, 950XLTD	8
350 and 450	10
350A and 350	12
350AST	14
450	16
950	18
975XLST	20
975XL2 and 975XL	22
375ST	26
375XL and 375	28
375, 475 and 475V	32
375A and 375	34
375AST	36
475	38
475V	40
975	42
RELIEF VALVE 375, 375A, 375AST, 475 and 475V	44
RELIEF VALVE 975	45
350DA, 350ADA, 350ASTDA, 450DA, 375DA, 375ADA, 375ASTDA, 475DA, 475DAV	46
950DA	47
975DA	47
460XL and 460	48
310	50
420XL and 420	52
720A	53
35XL and 35	55
30	56
700XL and 700	57
705	57
700XLFP and 700FP	58
TEST KITS	59

# MODEL 350XL and 350

## Double Check – Backflow Preventers 3/4" and 1"



Item Number	Description	3/4" Part Number	1" Part Number
1	BODY, 350XL	352-1XL-010F	353-1XL-010F
1	BODY, 350	352-1-010F	353-1-010F
2	HOUSING	352-1A	353-1A
3	#1 SEAT	352-18A	353-18A
4	#2 SEAT	352-18B	353-18B
5	O-RING #1	125N-PM	131N-PM
6	O-RING #2	126N-PM	132N-PM
7	POPPET	352-30	353-30
8	SPRING	352-33	353-33
9	SLEEVE	352-2	353-2
10	O-RING, HOUSING INLET	214N	220N-80
11	O-RING, HOUSING OUTLET	223N	226N-80
12	SCREWS	352-11	352-11
13	TEST COCKS	18-860XL	18-860XL
14	BALL VALVE INLET, 350XL	34-850TXL	1-850TXL
14	BALL VALVE INLET, 350	34-850T	1-850T
15	BALL VALVE OUTLET, 350XL	34-850XL	1-850XL
15	BALL VALVE OUTLET, 350	34-850	1-850
16	CHECK ASSEMBLY #1	352-300A	353-300A
17	CHECK ASSEMBLY #2	352-300B	353-300B
18	HOUSING ASSEMBLY	RK34-350V	RK1-350V
19	TEST COCK CAP PLUG	2-7P	2-7P
20	GREEN BALL VLV. HANDLE & NUT	852-6XL	853-6XL
20	BLUE BALL VLV. HANDLE & NUT	852-6	853-6

### Repair Kit, Rubber

RK34-350R			RK1-350R		
Size 3/4"			Size 1"		
Part Number	Qty.	Description	Part Number	Qty.	Description
125N-PM	1	O-RING #1 CHECK ASSY	131N-PM	1	O-RING #1 CHECK ASSY
126N-PM	1	O-RING #2 CHECK ASSY	132N-PM	1	O-RING #2 CHECK ASSY
214N	1	O-RING, HOUSING INLET	220N-80	1	O-RING, HOUSING INLET
223N	1	O-RING, HOUSING OUTLET	226N-80	1	O-RING, HOUSING OUTLET
352-30	2	POPPET	353-30	2	POPPET

### Repair Kit, Complete

RK34-350			RK1-350		
Size 3/4"			Size 1"		
Part Number	Qty.	Description	Part Number	Qty.	Description
352-300A	1	#1 CHECK ASSEMBLY	353-300A	1	#1 CHECK ASSEMBLY
352-300B	1	#2 CHECK ASSEMBLY	353-300B	1	#2 CHECK ASSEMBLY
214N	1	O-RING, HOUSING INLET	220N-80	1	O-RING, HOUSING INLET
223N	1	O-RING, HOUSING OUTLET	226N-80	1	O-RING, HOUSING OUTLET

### Repair Kit, Vessel

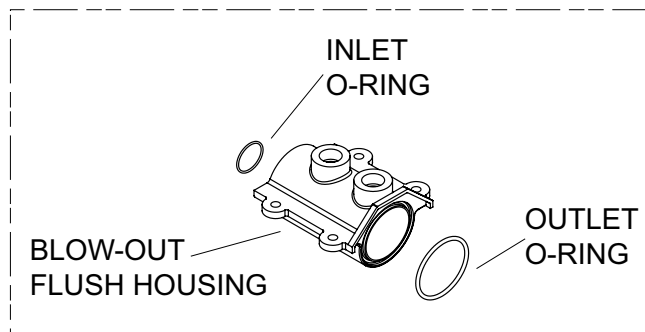
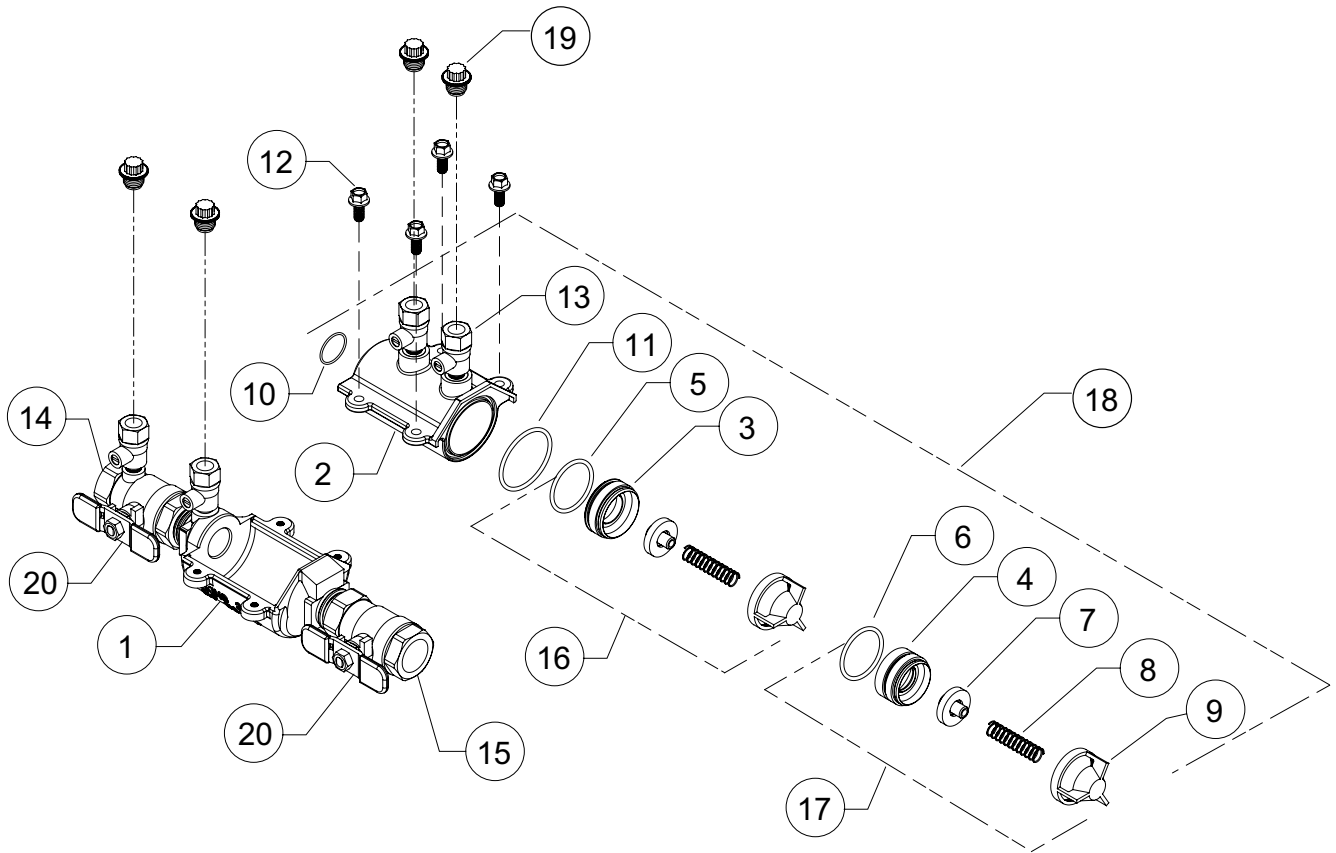
RK34-350V			RK1-350V		
Size 3/4"			Size 1"		
Part Number	Qty.	Description	Part Number	Qty.	Description
ITEM 18	1	HOUSING ASSEMBLY	ITEM 18	1	HOUSING ASSEMBLY

### Repair Kit, Complete

RK34-350BOF			RK1-350BOF		
Size 3/4"			Size 1"		
Part Number	Qty.	Description	Part Number	Qty.	Description
352-1BOF	1	HOUSING, BLOW OUT/FLUSH, 3/4"	353-1BOF	1	HOUSING, BLOW OUT/FLUSH, 1"
218N	1	O-RING, HOUSING INLET	223N-80	1	O-RING, HOUSING INLET
223N-80	1	O-RING, HOUSING OUTLET	226N-80	1	O-RING, HOUSING OUTLET

# MODEL 350XL and 350

## Parts Drawing



RK34-350BOF  
RK1-350BOF

### Repair Kit, Ball Valve Handles

REPAIR KIT,	RK34-BVHDXL 3/4"	RK1-BVHDXL 1"	REPAIR KIT,	RK34-BVHD 1/2" - 3/4"	RK1-BVHD 1"
Description	Part Number	Qty.	Description	Part Number	Qty.
GREEN BALL VLV. HANDLE & NUT	852-6XL	2	BLUE BALL VLV. HANDLE & NUT	852-6	2

# MODEL 350XL and 350

## Double Check – Backflow Preventers 1-1/4" to 2"



Item Number	Description	1-1/4" Part Number	1-1/2" Part Number	2" Part Number
1	HOUSING	354-1A	354-1A	354-1A
2	INTEGRAL INLET BV, 350XL	374-48AXL	375-48AXL	376-48AXL
2	INTEGRAL INLET BV, 350	374-48A	375-48A	376-48A
3	O-RING	331N	331N	331N
4	SLEEVE	374-2	374-2	374-2
5	O-RING	337N	337N	337N
6	BOLT	352-11	352-11	352-11
7	TEST COCKS	14-860XL	14-860XL	14-860XL
8	BOLT	959-11B	959-11B	959-11B
9	STRUT (NOT AVAILABLE)	354-1ST	354-1ST	354-1ST
10	INTEGRAL OUTLET BV, 350XL	374-48BXL	375-48BXL	376-48BXL
10	INTEGRAL OUTLET BV, 350	374-48B	375-48B	376-48B
11	SEAT, #1	374-18A	374-18A	374-18A
12	SPRING RETAINER, #1	354-80A	354-80A	354-80A
13	BOLT	374-11A	374-11A	374-11A
14	SEAL RETAINER	374-14A	374-14A	374-14A
15	SEAL WASHER	374-12A	374-12A	374-12A
16	POPPET	374-30	374-30	374-30
17	O-RING	336N	336N	336N
18	SEAT, #2	374-18B	374-18B	374-18B
19	SPRING, #2	374-33B	374-33B	374-33B
20	SPRING RETAINER, #2	374-80B	374-80B	374-80B
21	#1 CHECK ASSEMBLY	354-300A	354-300A	354-300A
22	#2 CHECK ASSEMBLY	374-300B	374-300B	374-300B
23	VESSEL W/CHECKS	RK114-350V	RK114-350V	RK114-350V
24	HOUSING, BLOW OUT/FLUSH	RK114-350-375BOF	RK114-350-375BOF	RK114-350-375BOF
25	GREEN BALL VALVE HANDLE & NUT	374-6XL	375-6XL	376-6XL
25	BLUE BALL VALVE HANDLE & NUT	374-6	375-6	376-6

### Repair Kit

Repair Kit, Rubber				Repair Kit, Complete			
RK114-350R Size 1-1/4" - 2"				RK114-350C Size 1-1/4" - 2"			
ITEM	Part Number	Qty.	Description	ITEM	Part Number	Qty.	Description
3	331N	2	O-RING	3	331N	2	O-RING
5	337N	2	O-RING	5	337N	1	O-RING
15	374-12A	2	SEAL WASHER	21	354-300A	1	#1 CHECK ASSY
17	336N	1	O-RING	22	374-300B	1	#2 CHECK ASSY

Repair Kit, Vessel			Repair Kit, Complete		
RK114-350V Size 1-1/4" - 2"			RK114-350-375BOF Size 1-1/4" - 2"		
ITEM	Qty.	Description	Part Number	Qty.	Description
23	1	VESSEL W/CHECKS	374-1BOF	1	HOUSING, BLOW OUT/FLUSH, 1-1/4"
			331N	2	O-RING
			337N	1	O-RING

**RK114-375XLBVHD**  
Size 1 1/4" 375XL/350XL

Item	Part Number	Qty.	Description
25	374-6XL	2	GREEN BALL VLV. HANDLE & NUT

**RK112-375XLBVHD**  
Size 1 1/2" 375XL/350XL

Item	Part Number	Qty.	Description
25	375-6XL	2	GREEN BALL VLV. HANDLE & NUT

**RK2-375XLBVHD**  
Size 2" 375XL/350XL

Item	Part Number	Qty.	Description
25	376-6XL	2	GREEN BALL VLV. HANDLE & NUT

**RK114-375BVHD**  
Size 1 1/4" 375/350

Item	Part Number	Qty.	Description
25	374-6	2	BLUE BALL VLV. HANDLE & NUT

**RK112-375BVHD**  
Size 1 1/2" 375/350

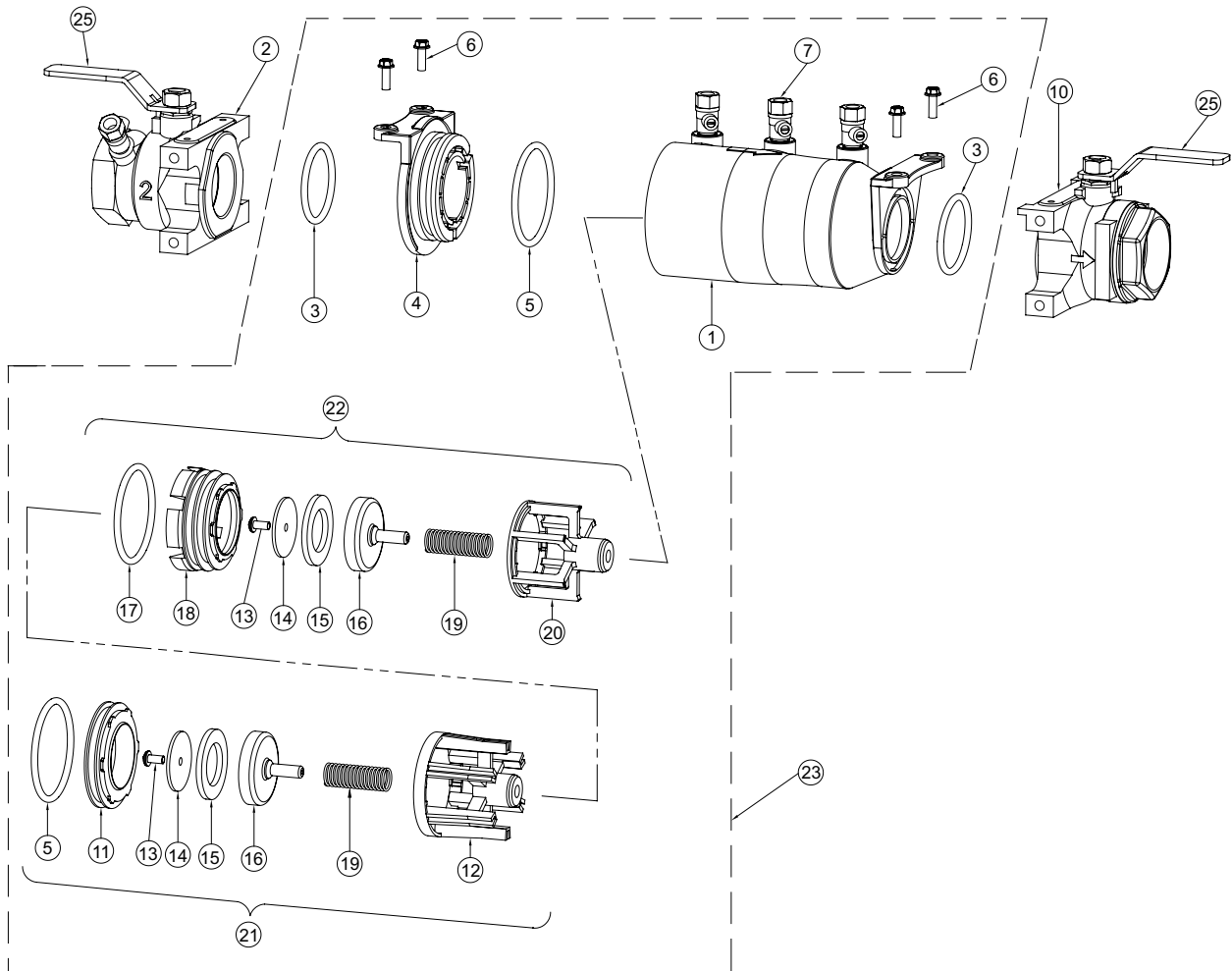
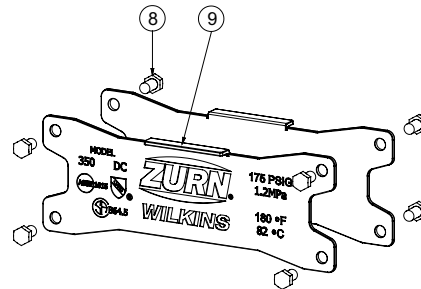
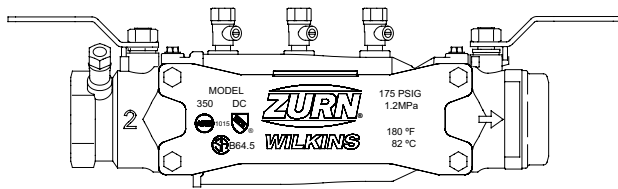
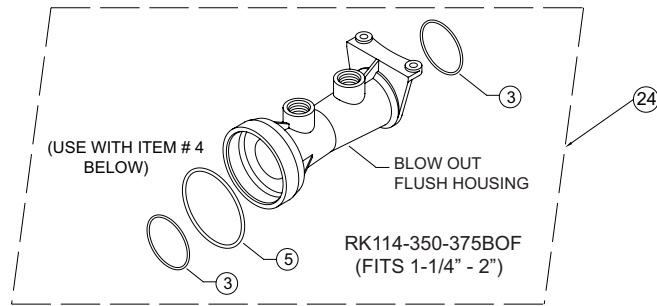
Item	Part Number	Qty.	Description
25	375-6	2	BLUE BALL VLV. HANDLE & NUT

**RK2-375BVHD**  
Size 2" 375/350

Item	Part Number	Qty.	Description
25	376-6	2	BLUE BALL VLV. HANDLE & NUT

# MODEL 350XL and 350

## Parts Drawing



# MODEL 950XL

## Double Check – Backflow Preventers 3/4" to 2"



Item Number	Description	3/4" Part No.	1" Part No.	1-1/4" Part No.	1-1/2" Part No.	2" Part No.
1	CHECK COVER	952-3XL2-010F	952-3XL2-010F	954-3XL2-010F	954-3XL2-010F	954-3XL2-010F
2	O-RING, COVER	136N	136N	153N	153N	153N
3	CHECK SPRING	952-33	952-33	554-33	554-33	554-33
4	POPPET	952-30-010F	952-30-010F	954-30-010F	954-30-010F	954-30-010F
5	SEAL RING	952-12S	952-12S	954-12S	954-12S	954-12S
6	SEAL RING RETAINER	952-14	952-14	954-14	954-14	954-14
7	RETAINING BOLT	952-11	952-11	952-11	952-11	952-11
8	CHECK SEAT	952-18S	952-18S	954-18S	954-18S	954-18S
9	O-RING, CHECK SEAT	WK-125N	WK-125N	136N	136N	136N
10	TEST COCK	18-860XL	18-860XL	14-860XL	14-860XL	14-860XL
11	BALL VALVE, TAPPED	34-850T	1-850T	114-850T	112-850T	2-850T
12	BALL VALVE	34-850	1-850	114-850	112-850	2-850
13	POPPET ASSEMBLY	952-300S	952-300S	954-300S	954-300S	954-300S
	CHECK SEAT TOOL	972-SEATTOOL		974-SEATTOOL		

### Repair Kit, Rubber & Springs

#### RK34-950XL Size 3/4" & 1" Only

Part Number	Qty.	Description
952-12S	2	SEAL RING
136N	2	O-RING, COVER
952-33	2	CHECK SPRING

#### RK114-950XL Size 1-1/4", 1-1/2", 2" Only

Part Number	Qty.	Description
954-12S	2	SEAL RING
153N	2	O-RING, COVER
554-33	2	CHECK SPRING

### Repair Kit, Complete

#### RK34-950XLC Size 3/4" & 1" Only

Part Number	Qty.	Description
952-300	2	POPPET ASSY, 3/4" XL
952-18S	2	CHECK SEAT
136N	2	O-RING, COVER
WK-125N	2	O-RING, CHECK SEAT
952-33	2	CHECK SPRING

#### RK114-950XLC Size 1-1/4", 1-1/2", 2" Only

Part Number	Qty.	Description
954-300S	2	POPPET ASSY, 1-1/4" XL
954-18S	2	CHECK SEAT
153N	2	O-RING, COVER
136N	2	O-RING, CHECK SEAT
554-33	2	CHECK SPRING

### Repair Kit, Rubber

#### RK34-950XLR Size 3/4" & 1" Only

Part Number	Qty.	Description
952-12S	2	SEAL RING
136N	2	O-RING, COVER

#### RK114-950XLR Size 1-1/4", 1-1/2", 2" Only

Part Number	Qty.	Description
954-12S	2	SEAL RING
153N	2	O-RING, COVER

### Repair Kit, Seats

#### RK34-950XLSK Size 3/4" & 1" Only

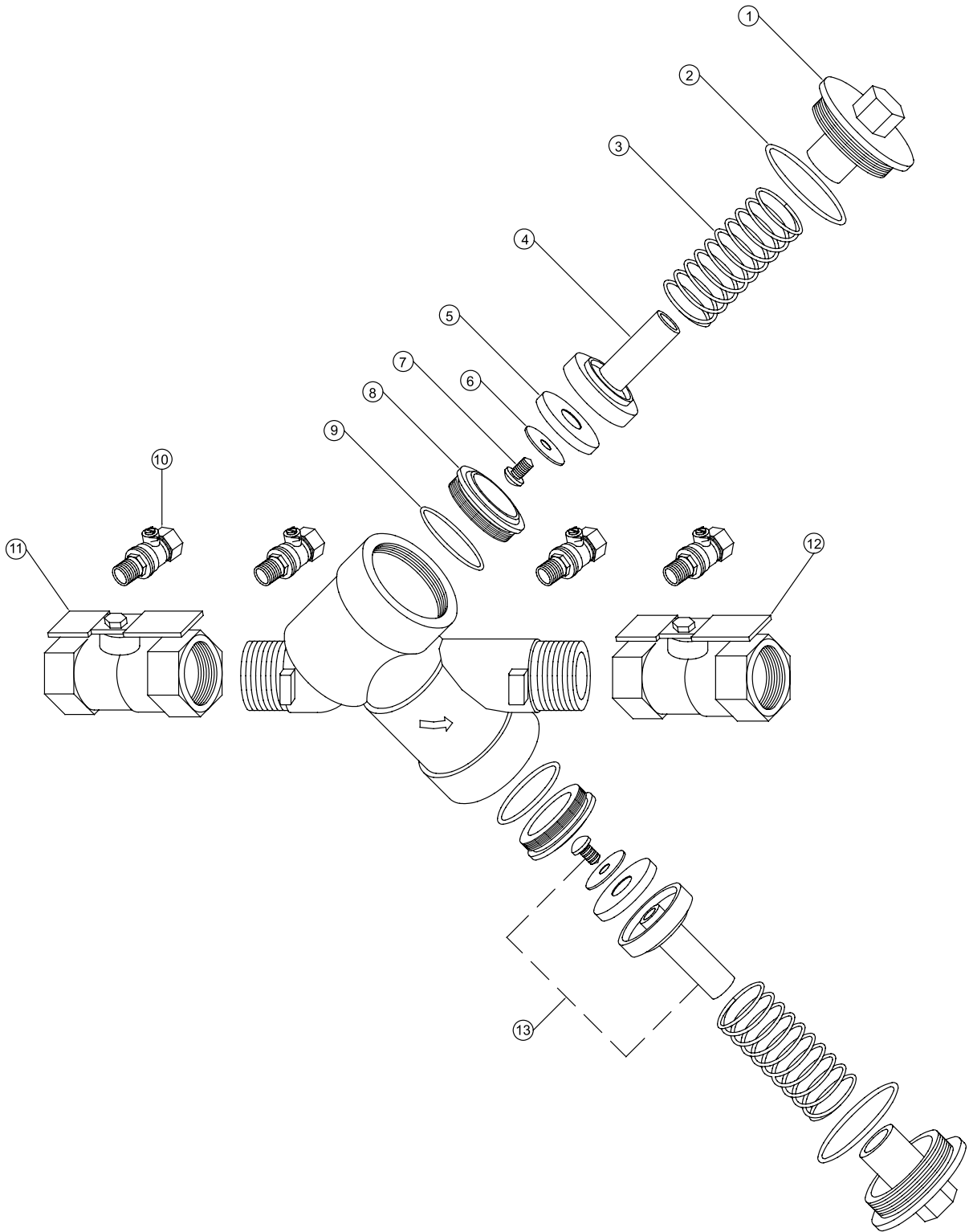
Part Number	Qty.	Description
952-18S	2	CHECK SEAT
WK-125N	2	O-RING, COVER

#### RK114-950XLSK Size 1-1/4", 1-1/2", 2" Only

Part Number	Qty.	Description
954-18S	2	CHECK SEAT
136N	2	O-RING, CHECK SEAT

# MODEL 950XL - 3/4" to 2"

## Parts Drawing



# MODEL 950XLT2, 950XLT, 950XLTD

Double Check – Backflow Preventers 3/4" to 2"



Item Number	Description	3/4"	1"	1-1/4"	1-1/2"	2"	2" XLTD(BF)	3/4" 350D (BY-PASS)
1	CHECK COVER	952-3XL2-010F	952-3XL2-010F	954-3XL2-010F	954-3XL2-010F	954-3XL2-010F	954-3XL2-010F	N/A
2	O-RING, COVER	136N	136N	153N	153N	153N	153N	N/A
3	CHECK SPRING	952-33	952-33	554-33	554-33	554-33	956-33DA	352DA-33
4	POPPET	952-30-010F	952-30-010F	954-30-010F	954-30-010F	954-30-010F	954-30-010F	352-30
5	SEAL RING	952-12S	952-12S	954-12S	954-12S	954-12S	954-12S	N/A
6	SEAL RING RETAINER	952-14	952-14	954-14	954-14	954-14	954-14	N/A
7	RETAINING BOLT	952-11	952-11	952-11	952-11	952-11	952-11	N/A
8	CHECK SEAT #1	952-18T	952-18T	954-18T	954-18T	954-18T	954-18T	352-18A
	CHECK SEAT #2	952-18T	952-18T	954-18T	954-18T	954-18T	954-18T	352-18B
9	O-RING, CHECK SEAT #1	WK-125N	WK-125N	136N	136N	136N	136N	WK-125N
	O-RING, CHECK SEAT #2	WK-125N	WK-125N	136N	136N	136N	136N	126N
10	TEST COCK	18-860XL	18-860XL	14-860XL	14-860XL	14-860XL	14-860XL	18-860XL
11	BALL VALVE, TAPPED, 950XLT2	34-850TXL	1-850TXL	114-850TXL	112-850TXL	2-850TXL	N/A	N/A
11	BALL VALVE, TAPPED, 950XLT	34-850T	1-850T	114-850T	112-850T	2-850T	N/A	N/A
12	BALL VALVE, 950XLT2	34-850XL	1-850XL	114-850XL	112-850XL	2-850XL	N/A	N/A
12	BALL VALVE, 950XLT	34-850	1-850	114-850	112-850	2-850	N/A	N/A
	GATE VALVE (XLTD)	N/A	N/A	N/A	N/A	N/A	2-48OSYCIT	N/A
	BUTTERFLY VALVE, TAPPED**	N/A	N/A	114-BRXLT	112-BRXLT	2-49BRXLT	2-49BRXLT	N/A
	BUTTERFLY VALVE, TAPPED**	N/A	N/A	114-49BRT	112-49BRT	2-49BRT	2-49BRT	N/A
	BUTTERFLY VALVE**	N/A	N/A	114-49BRXL	112-49BRXL	2-49BRXL	2-49BRXL	
	BUTTERFLY VALVE**	N/A	N/A	114-49BR	112-49BR	2-49BR	2-49BR	N/A
13	POPPET ASSEMBLY #1	952-300S	952-300S	954-300S	954-300S	954-300S	954-300S	352-300C
	POPPET ASSEMBLY #2	952-300S	952-300S	954-300S	954-300S	954-300S	954-300S	352-300D
14	TEST COCK CAP PLUG	2-7P	2-7P	2-7P	2-7P	2-7P	2-7P	2-7P
*	HOUSING	N/A	N/A	N/A	N/A	N/A	N/A	352-1A
*	O-RING, HOUSING INLET	N/A	N/A	N/A	N/A	N/A	N/A	214N
*	O-RING, HOUSING OUTLET	N/A	N/A	N/A	N/A	N/A	N/A	223N
*	HOUSING SCREWS	N/A	N/A	N/A	N/A	N/A	N/A	352-11
	HOUSING ASSEMBLY	N/A	N/A	N/A	N/A	N/A	N/A	RK34-350DV
15	WATER METER, 5/8"	N/A	N/A	N/A	N/A	N/A	557-54XL	N/A
	CHECK SEAT TOOL	972-SEATTOOL		974-SEATTOOL				N/A

\* SEE 3/4" MODEL 350.

\*\*INTEGRAL SUPERVISORY SWITCH OPTION AVAILABLE

## Repair Kit, Rubber & Spring

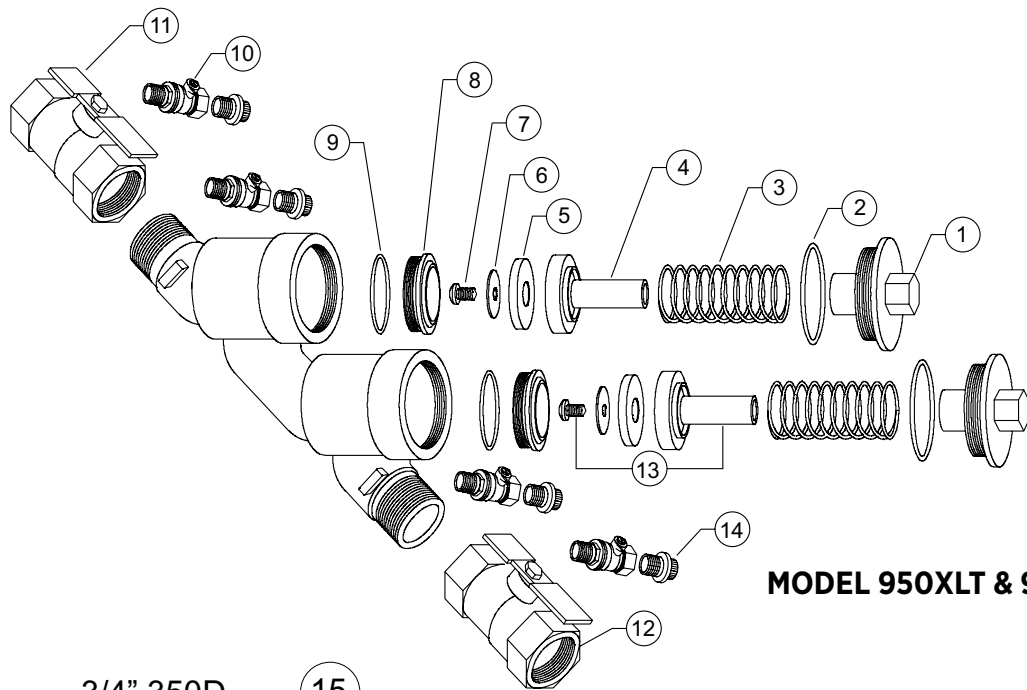
RK34-950XL Size 3/4" & 1" Only			RK114-950XL Size 1-1/4", 1-1/2", 2" Only		
Part Number	Qty.	Description	Part Number	Qty.	Description
952-12S	2	SEAL RING	954-12S	2	SEAL RING
136N	2	O-RING, COVER	153N	2	O-RING, COVER
952-33	2	CHECK SPRING	554-33	2	CHECK SPRING

## Repair Kit, Rubber

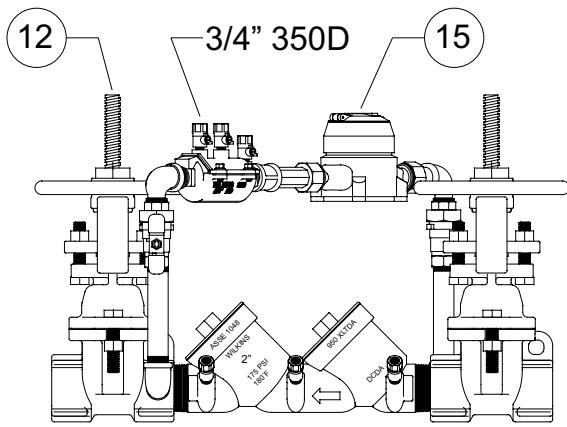
RK34-950XLR Size 3/4" & 1" Only			RK114-950XLR Size 1-1/4", 1-1/2", 2" Only		
Part Number	Qty.	Description	Part Number	Qty.	Description
952-12S	2	SEAL RING	954-12S	2	SEAL RING
136N	2	O-RING, COVER	153N	2	O-RING, COVER

# MODEL 950XLT2, 950XLT, 950XLTD A- 3/4" to 2"

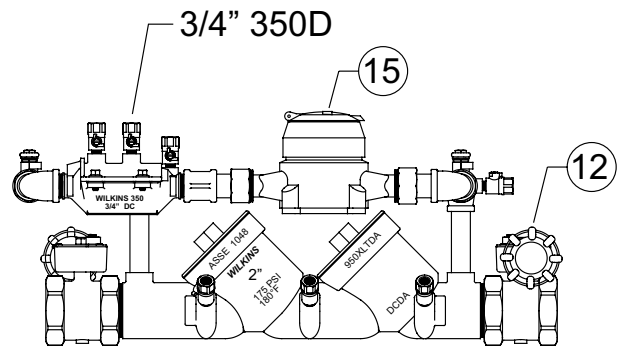
## Parts Drawing



**MODEL 950XLT & 950XLT2**



**MODEL 950XLTD A**



**MODEL 950XLTD A B F**

### Repair Kit, Seat

**RK34-950XLTSK** Size 3/4" & 1" Only

Part Number	Qty.	Description
952-18T	2	CHK SEAT, 3/4" XLT
WK-125N	2	O-RING

**RK114-950XLTSK** Size 1-1/4", 1 1/2", 2" Only

Part Number	Qty.	Description
954-18T	2	CHK SEAT, 1-1/4" - 2" 950XLT
136N	2	O-RING

### Repair Kit, Complete

**RK34-350D** Size 3/4"

Part Number	Qty.	Description
352-300C	1	#1 CHECK ASSY
352-300D	1	#2 CHECK ASSY
214N	1	O-RING, HOUSING INLET
223N	1	O-RING, HOUSING OUTLET

### Repair Kit, Vessel

**RK34-350DV** Size 3/4"

Part Number	Qty.	Description
RK34-350DV	1	HOUSING ASSY

### Repair Kit, Spring

**RK2-950XLTD A** Size 2"

Part Number	Qty.	Description
954-12S	2	SEAL RING
153N	2	O-RING, COVER
956-33DA	2	CHECK SPRING

# MODEL 350 and 450

## Double Check – Backflow Preventers 2-1/2" and 3"



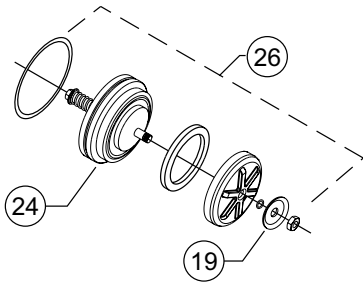
Item Number	Description	2-1/2"	3"
1	GATE VALVE, NRS	212-48	3-48
	GATE VALVE, OS&Y	212-48OSY	3-48OSY
	GATE VALVE, OS&Y (F&G)	212-48OSYGXF	3-48OSYGXF
2	BOLT, FLANGE	558-11D	558-11D
3	NUT, FLANGE	558-9	558-9
4	GASKET, FLANGE	557-13	558-13
5	O-RING COVER PLATE	031N	031N
6	COVER PLATE	558-3AXL-010F	558-3AXL-010F
7	BOLT, COVER PLATE	554-11A	554-11A
8	SEAT RETAINER #2	3507-14G	3507-14G
9	SEAT RETAINER #1	3507-14F	3507-14F
10	COVER	3507-3C	3507-3C
11	COVER RETAINER ASSY	5-23	5-23
12	BULKHEAD FITTING ASSY	BHFICXL-100	BHFICXL-100
13	BALL VALVE	12-850XL	12-850XL
14	COUPLING	12-51	12-51
15	NIPPLE, LONG	558-21B	558-21B
16	O-RING	245N	245N
17	PLUG	558-7	558-7
18	NUT, POPPET RETAINER	3507-9	3507-9
19	HANDLE, #1 POPPET ASSY	3507-14E	3507-14E
20	WASHER	3507-14D	3507-14D
21	O-RING	WK-111N	WK-111N
22	POPPET RETAINER	3507-14	3507-14
23	SEAL RING	3507-12	3507-12
24	SEAT ASSEMBLY, #1 POPPET	3507-180	3507-180
25	SEAT ASSEMBLY, #2 POPPET	3507-180A	3507-180A
26	#1 CHECK ASSEMBLY	3507-300	3507-300
27	#2 CHECK ASSEMBLY	3507-300A	3507-300A
28	BULKHEAD FITTING ASSY	BHFIBXL-100	BHFIBXL-100
29	PLUG	558-7	558-7
30	BALL VALVE	12-850MXL	12-850MXL
31	GASKET, COVER RETAINER	5-23-13	5-23-13
32	BULKHEAD FITTING GASKET	BHF1-13	BHF1-13

### Repair Kit, Rubber

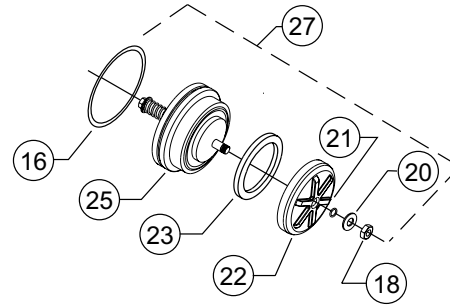
RK212-350		Size 2-1/2", 3"
Part Number	Qty.	Description
3507-12	2	SEAL RING
245N	2	O-RING
WK-111N	2	O-RING

# MODEL 350 and 450 - 2-1/2" and 3"

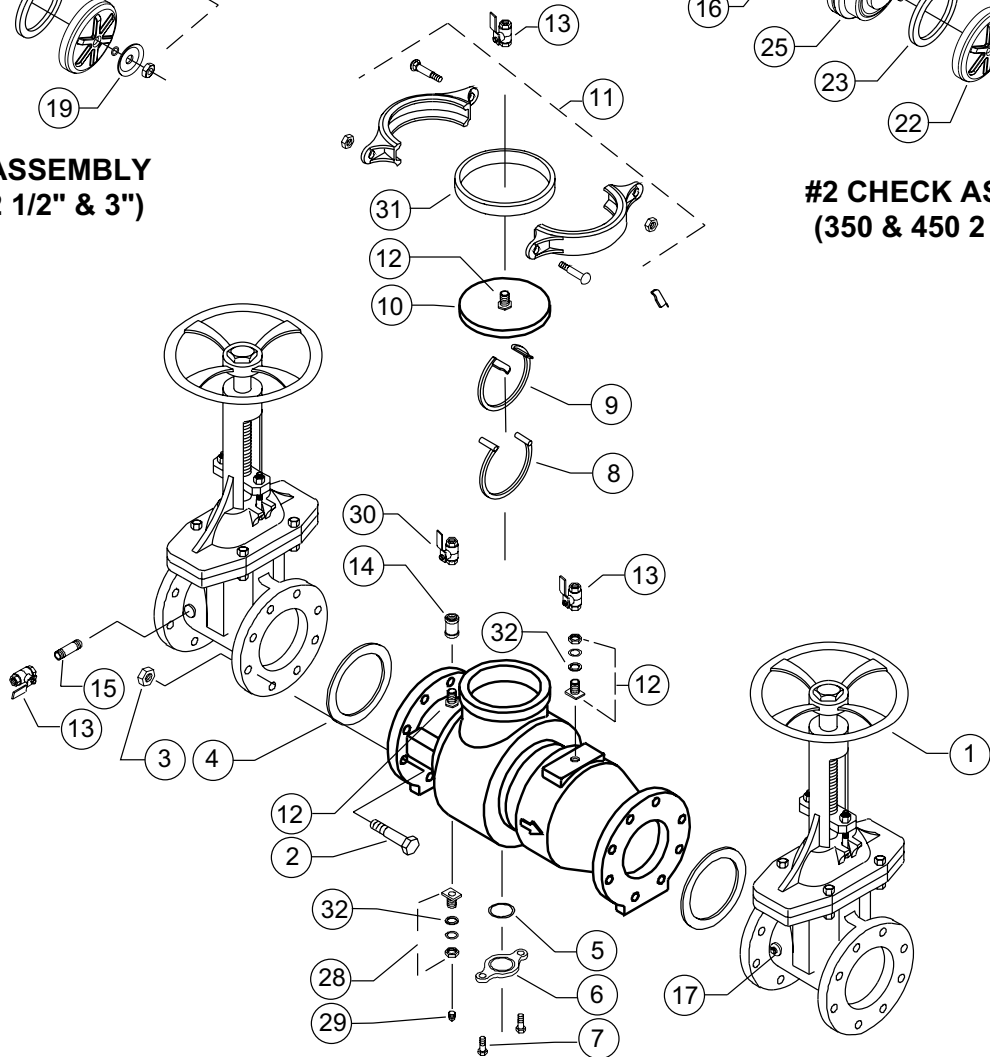
## Parts Drawing



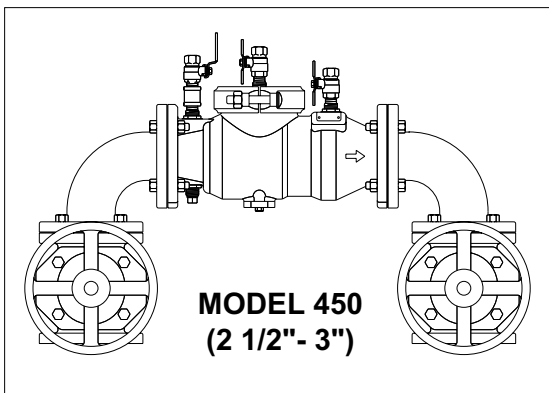
**#1 CHECK ASSEMBLY  
(350 & 450 2 1/2" & 3")**



**#2 CHECK ASSEMBLY  
(350 & 450 2 1/2" & 3")**



**MODEL 350  
(2 1/2" - 3")**



# MODEL 350A and 350

## Double Check –

Backflow Preventers 350A (2-1/2" to 10") and 350 (4" to 12")



Item	Description	2-1/2"	3"	4"	6"	8"	10"	12"
1	GATE VALVE, NRS	212-48GXF	3-48GXF	4-48	6-48	8-48	10-48	12IN-48
	GATE VALVE, OS&Y	212-48OSYGXF	3-48OSYGXF	4-48OSY	6-48OSY	8-48OSY	10-48OSY	12IN-48OSY
	GATE VALVE, OS&Y (F&G)	212-48OSYGXF	3-48OSYGXF	4-48OSYGXF	6-48OSYGXF	8-48OSYGXF	10-48OSYGXF	12IN-48OSYGXF
	BUTTERFLY VALVE	212-49GVIC	3-49GVIC	4-49GVIC	6-49GVIC	8-49GVIC	10-49GVIC	N/A
2	BOLT, FLANGE	N/A	N/A	559-11	5510-11	9511-11B	9512-11B	9512-11B
3	NUT, FLANGE	N/A	N/A	558-9	5510-9	5510-9	9512-9A	9512-9A
4	GASKET, FLANGE	N/A	N/A	559-13	5510-13	9511-13	9512-13	9512-13
5	O-RING, COVER PLATE	031N	031N	031N	031N	142N	142N	142N
6	COVER PLATE	558-3AXL-010F	558-3AXL-010F	558-3AXL-010F	558-3AXL-010F	3511-3AXL-010F	3511-3AXL-010F	3511-3AXL-010F
7	BOLT, COVER PLATE	554-11A	554-11A	554-11A	554-11A	957-11	957-11	957-11
8	SEAT RETAINER #2	3509-140	3509-140	3509-140	3510-140	3511-14DSS	3511-14DSS	3511-14DSS
9	SEAT RETAINER #1	3509-14B	3509-14B	3509-14B	3510-14B	3511-9 (NUT)	3511-9 (NUT)	3511-9 (NUT)
10	COVER	3509-3C	3509-3C	3509-3C	3510-3C	3511-3C	3511-3C	3511-3C
11	COVER RETAINER ASSY	6-23	6-23	6-23	8-23	12-23	12-23	12-23
12	BULKHEAD FITTING ASSY	BHF1CXL-100	BHF1CXL-100	BHF1CXL-100	BHF2BXL-100	BHF2BXL-100	BHF2BXL-100	BHF2BXL-100
13	BALL VALVE	12-850XL	12-850XL	12-850XL	34-850XL	34-850XL	34-850XL	34-850XL
14	COUPLING	12-51	12-51	12-51	557-51	557-51	557-51	557-51
15	NIPPLE, LONG	558-21B	558-21B	558-21B	34X3-21B	34X3-21B	34X3-21B	34X3-21B
16	O-RING	353N	353N	353N	364N	273N	273N	273N
17	PLUG	558-7	558-7	558-7	5510-7	5510-7	5510-7	5510-7
18	BOLT, POPPET RETAINER	558-11E	558-11E	558-11E	5510-11A	3511-11	3511-11	3511-11
19	HANDLE, #1 POPPET ASSY	3509-6	3509-6	3509-6	3510-6	N/A	N/A	N/A
20	WASHER	3509-14C	3509-14C	3509-14C	3510-14C	3510-14C	3510-14C	3510-14C
21	O-RING	WK-109N	WK-109N	WK-109N	204N	204N	204N	204N
22	POPPET RETAINER	3509-14	3509-14	3509-14	3510-14	3511-14	3511-14	3511-14
23	SEAL RING	3509-12	3509-12	3509-12	3510-12	3511-12	3511-12	3511-12
24	SEAT ASSEMBLY, #1 POPPET	3509-180	3509-180	3509-180	3510-180	3512-180A	3512-180A	3512-180A
25	SEAT ASSEMBLY, #2 POPPET	3509-180	3509-180	3509-180	3510-180	3512-180B	3512-180B	3512-180B
26	#1 CHECK ASSEMBLY	3509-300A	3509-300A	3509-300A	3510-300A	3512-300A	3512-300A	3512-300A
27	#2 CHECK ASSEMBLY	3509-300B	3509-300B	3509-300B	3510-300B	3512-300B	3512-300B	3512-300B
28	BULKHEAD FITTING ASSY	BHF1BXL-100	BHF1BXL-100	BHF1BXL-100	BHF1BXL-100	BHF2CXL-100	BHF2CXL-100	BHF2CXL-100
29	PLUG	558-7	558-7	558-7	558-7	558-7	558-7	558-7
30	BALL VALVE	12-850MXL	12-850MXL	12-850MXL	34-850XL	34-850XL	34-850XL	34-850XL
31	NIPPLE, LONG	N/A	N/A	N/A	5510-21B	5510-21B	5510-21B	5510-21B
32	LIFTING LUG	N/A	N/A	N/A	9510-24	9510-24	N/A	N/A
33	GASKET, COVER RETAINER	6-23-13	6-23-13	6-23-13	8-23-13	12-23-13	12-23-13	12-23-13
34	WASHER	N/A	N/A	N/A	N/A	3511-14E	3511-14E	3511-14E
35	BULKHEAD FITTING, GASKET	BHF1-13	BHF1-13	BHF1-13	BHF1-13	BHF1-13	BHF1-13	BHF1-13
36	GROOVED COUPLING	4X212-23	4X3-23	4-23	6-23	8-23	10-23	N/A
37	GASKET	N/A	N/A	4-23-13	6-23-13	8-23-13	10-23-13	N/A

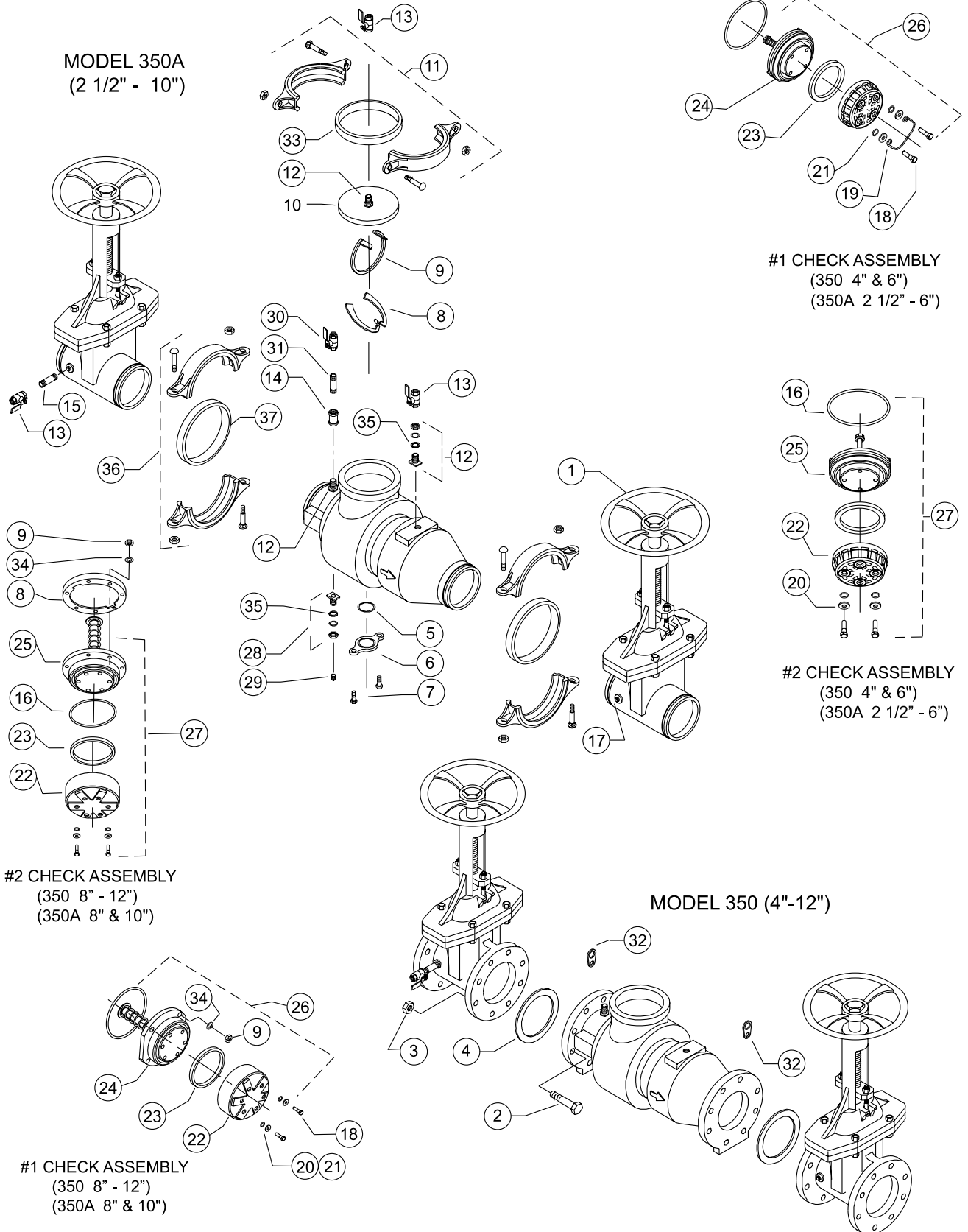
### Repair Kit

RK4-350			Size 2-1/2", 3", 4"			RK6-350			Size 6"			RK8-350			Size 8", 10", 12"		
Part Number	Qty.	Description	Part Number	Qty.	Description	Part Number	Qty.	Description	Part Number	Qty.	Description	Part Number	Qty.	Description	Part Number	Qty.	Description
3509-12	2	SEAL RING	3510-12	2	SEAL RING	3511-12	2	SEAL RING									
353N	2	O-RING	364N	2	O-RING	273N	2	O-RING									
WK-109N	8	O-RING	204N	8	O-RING	204N	12	O-RING									
351N	2	Not used in 350/350A															

# MODEL 350A - 2-1/2" to 10"

## MODEL 350 - 4" to 12"

### Parts Drawing



MODEL 350A  
(2 1/2" - 10")

#1 CHECK ASSEMBLY  
(350 4" & 6")  
(350A 2 1/2" - 6")

#2 CHECK ASSEMBLY  
(350 4" & 6")  
(350A 2 1/2" - 6")

#2 CHECK ASSEMBLY  
(350 8" - 12")  
(350A 8" & 10")

MODEL 350 (4"-12")

#1 CHECK ASSEMBLY  
(350 8" - 12")  
(350A 8" & 10")

# MODEL 350AST

## Stainless Steel Double Check –

### Backflow Preventers 350AST 2-1/2" to 10"



Item	Description	2-1/2"	3"	4"	6"	8"	10"
1	GATE VALVE, NRS	212-48GXF	3-48GXF	4-48GXF	6-48GXF	8-48GXF	10-48GXF
	GATE VALVE, OS&Y	212-48OSYGXF	3-48OSYGXF	4-48OSYGXF	6-48OSYGXF	8-48OSYGXF	10-48OSYGXF
	BUTTERFLY VALVE	212-49GVIC	3-49GVIC	4-49GVIC	6-49GVIC	8-49GVIC	10-49GVIC
2	NIPPLE	N/A	N/A	N/A	102-21B	N/A	N/A
3	O-RING, COVER PLATE	032N	032N	032N	032N	142N	142N
4	COVER PLATE	3509ST-3AXL-010F	3509ST-3AXL-010F	3509ST-3AXL-010F	3509ST-3AXL-010F	3511-3AXL-010F	3511-3AXL-010F
5	BOLT, COVER PLATE	BR4-11SS	BR4-11SS	BR4-11SS	BR4-11SS	957-11	957-11
6	SEAT RETAINER #2	3509ST-140	3509ST-140	3509ST-140	3510ST-140	3511-14DSS	3511-14DSS
7	SEAT RETAINER #1	3509ST-14B	3509ST-14B	3509ST-14B	3510ST-14B	N/A	N/A
8	COVER	3509ST-3	3509ST-3	3509ST-3	3510ST-3	3511ST-3	3511ST-3
9	COVER RETAINER ASSY	6-23	6-23	6-23	8-23	12-23	12-23
10	BALL VALVE	12-850XL	12-850XL	12-850XL	34-850XL	34-850XL	34-850XL
11	NIPPLE, LONG	12X3-21B	12X3-21B	12X3-21B	34X3-21B	34X3-21B	34X3-21B
12	O-RING	351N	351N	351N	364N	273N	273N
13	PLUG	558-7	558-7	558-7	5510-7	5510-7	5510-7
14	BOLT, POPPET RETAINER	558-11E	558-11E	558-11E	5510-11A	3511-11	3511-11
15	HANDLE, #1 POPPET ASSY	3509-6	3509-6	3509-6	3510-6	N/A	N/A
16	WASHER	3509-14C	3509-14C	3509-14C	3510-14C	3510-14C	3510-14C
17	O-RING	WK-109N	WK-109N	WK-109N	204N	204N	204N
18	POPPET RETAINER	3509ST-14	3509ST-14	3509ST-14	3510ST-14	3511ST-14	3511ST-14
19	SEAL RING	3509-12	3509-12	3509-12	3510-12	3511-12	3511-12
20	SEAT ASSEMBLY, #1 POPPET	3509ST-180	3509ST-180	3509ST-180	3510ST-180	3511ST-180A	3512ST-180A
21	SEAT ASSEMBLY, #2 POPPET	3507ST-180	3509ST-180	3509ST-180	3510ST-180	3511ST-180B	3512ST-180B
22	#1 CHECK ASSEMBLY	3509ST-300A	3509ST-300A	3509ST-300A	3510ST-300A	3511ST-300A	3512ST-300A
23	#2 CHECK ASSEMBLY	3507ST-300B	3509ST-300B	3509ST-300B	3510ST-300B	3511ST-300B	3512ST-300B
24	PLUG	2-7SS	2-7SS	2-7SS	2-7SS	2-7SS	2-7SS
25	BALL VALVE	12-850MXL	12-850MXL	12-850MXL	34-850XL	34-850XL	34-850XL
26	NUT	N/A	N/A	N/A	N/A	3511-9	3511-9
27	GASKET, COVER RETAINER	6-23-13	6-23-13	6-23-13	8-23-13	12-23-13	12-23-13
28	WASHER	N/A	N/A	N/A	N/A	3511-14E	3511-14E
29	GROOVED COUPLING	212-23	3-23	4-23	6-23	8-23	10-23
30	GASKET	212-23-13	3-23-13	4-23-13	6-23-13	8-23-13	10-23-13

### Repair Kit

RK4-350			RK6-350			RK8-350		
Size 2-1/2", 3", 4"			Size 6"			Size 8", 10"		
Part Number	Qty.	Description	Part Number	Qty.	Description	Part Number	Qty.	Description
3509-12	2	SEAL RING	3510-12	2	SEAL RING	3511-12	2	SEAL RING
351N	2	O-RING	364N	2	O-RING	273N	2	O-RING
WK-109N	8	O-RING	204N	8	O-RING	204N	12	O-RING
353N	2	Not used in 350AST						



# MODEL 450

## Double Check – Backflow Preventers 4" to 10"



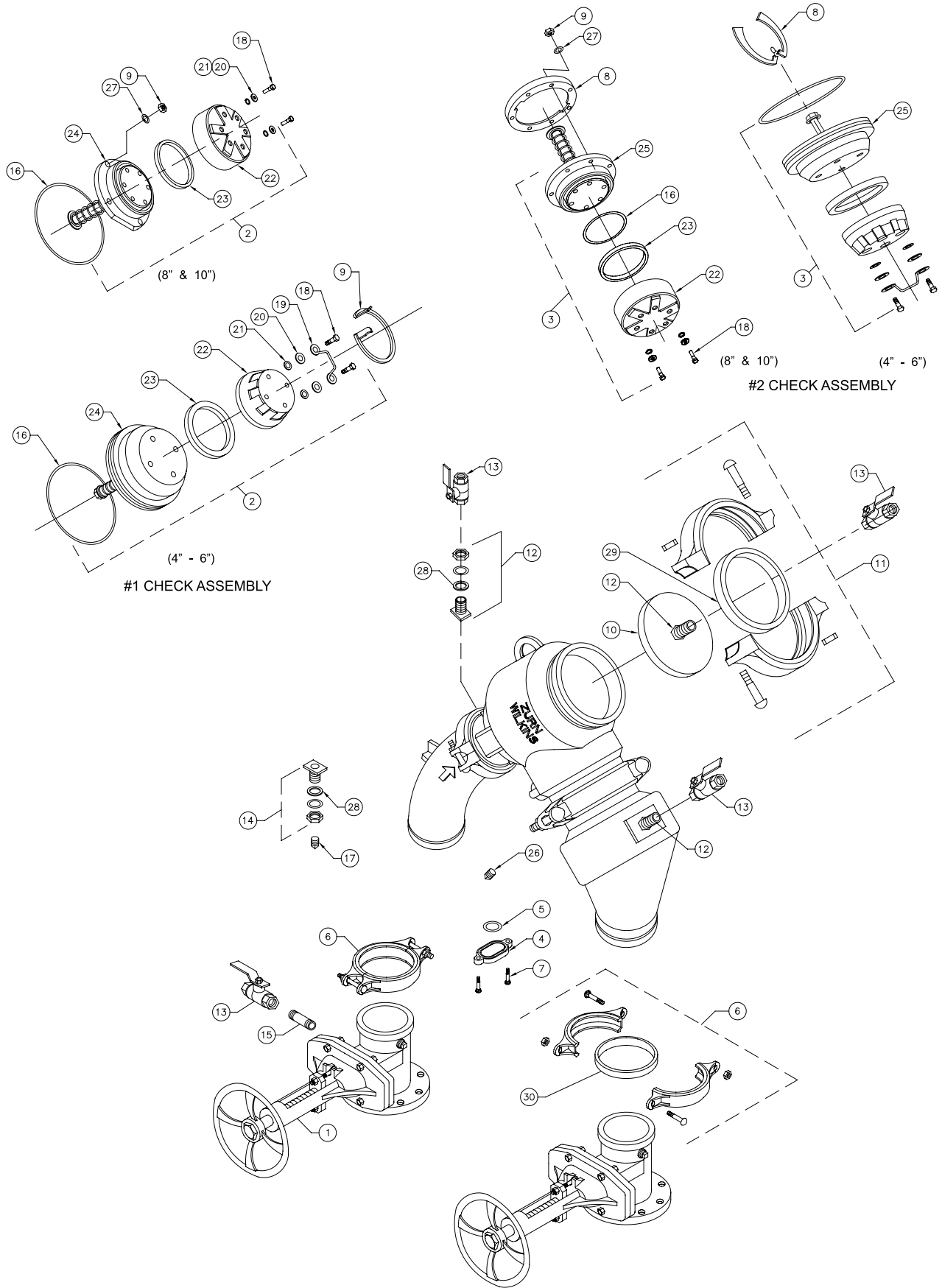
Item Number	Description	4"	6"	8"	10"
1	GATE VALVE, NRS (GXF)	4-48GXF	6-48GXF	8-48GXF	10-48GXF
	GATE VALVE, OS&Y (GXF)	4-48OSYGXF	6-48OSYGXF	8-48OSYGXF	10-48OSYGXF
	GATE VALVE, OS&Y (G&G)	4-48OSYG	6-48OSYG	8-48OSYG	10-48OSYG
	GATE VALVE, NRS (GXG)	4-48G	6-48G	8-48G	10-48G
	BUTTERFLY VALVE	4-49GVIC	6-49GVIC	8-49GVIC	10-49GVIC
2	#1 CHECK ASSEMBLY	3509-300A	3510-300A	3512-300A	3512-300A
3	#2 CHECK ASSEMBLY	3509-300B	3510-300B	3512-300B	3512-300B
4	COVER PLATE	4507-3AXL-010F	4507-3AXL-010F	3511-3AXL-010F	3511-3AXL-010F
5	O-RING, COVER PLATE	032N	032N	142N	142N
6	GROOVED COUPLING	4-23	6-23	8-23	10-23
7	BOLT, COVER PLATE	554-11A	554-11A	957-11	957-11
8	SEAT RETAINER ASSEMBLY #2	3509-140	3510-140	3511-14DSS	3511-14DSS
9	SEAT RETAINER #1	3509-14B	3510-14B	3511-9 (NUT)	3511-9 (NUT)
10	COVER	3509-3C	3510-3C	3511-3C	3511-3C
11	COVER RETAINER ASSEMBLY	6-23	8-23	12-23	12-23
12	BULKHEAD FITTING ASSEMBLY	BHF1CXL-100	BHF2BXL-100	BHF2BXL-100	BHF2BXL-100
13	BALL VALVE	12-850XL	34-850XL	34-850XL	34-850XL
14	BULKHEAD FITTING ASSEMBLY	BHF1BXL-100	BHF1BXL-100	BHF2CXL-100	BHF2CXL-100
15	NIPPLE, LONG	12X2-21B	34X3-21B	34X3-21B	34X3-21B
16	O-RING	353N	364N	273N	273N
17	PLUG	558-7	558-7	558-7	558-7
18	BOLT, POPPET RETAINER	558-11E	5510-11A	3511-11	3511-11
19	HANDLE, #1 POPPET ASSEMBLY	3509-6	3510-6	N/A	N/A
20	WASHER	3509-14C	3510-14C	3510-14C	3510-14C
21	O-RING	WK-109N	204N	204N	204N
22	POPPET RETAINER	3509-14	3510-14	3511-14	3511-14
23	SEAL RING	3509-12	3510-12	3511-12	3511-12
24	SEAT ASSEMBLY, #1 POPPET	3509-180	3510-180	3512-180A	3512-180A
25	SEAT ASSEMBLY, #2 POPPET	3509-180	3510-180	3512-180B	3512-180B
26	PLUG/CAP	558-7	34-3B	558-7	558-7
27	WASHER	N/A	N/A	3511-14E	3511-14E
28	GASKET	BHF1-13	BHF1-13	BHF1-13	BHF1-13
29	GASKET, COVER RETAINER	6-23-13	8-23-13	12-23-13	12-23-13
30	GASKET, GROOVED COUPLING	4-23-13	6-23-13	8-23-13	10-23-13

### Repair Kit

RK4-350			Size 4"			RK6-350			Size 6"			RK8-350			Size 8", 10"		
Part Number	Qty.	Description	Part Number	Qty.	Description	Part Number	Qty.	Description	Part Number	Qty.	Description	Part Number	Qty.	Description			
3509-12	2	SEAL RING	3510-12	2	SEAL RING	3511-12	2	SEAL RING									
353N	2	O-RING	364N	2	O-RING	273N	2	O-RING									
WK-109N	8	O-RING	204N	8	O-RING	204N	12	O-RING									
351N	2	Not used in 450															

# MODEL 450 - 4" to 10"

## Parts Drawing



# MODEL 950

## Double Check – Backflow Preventers 2-1/2" to 10"



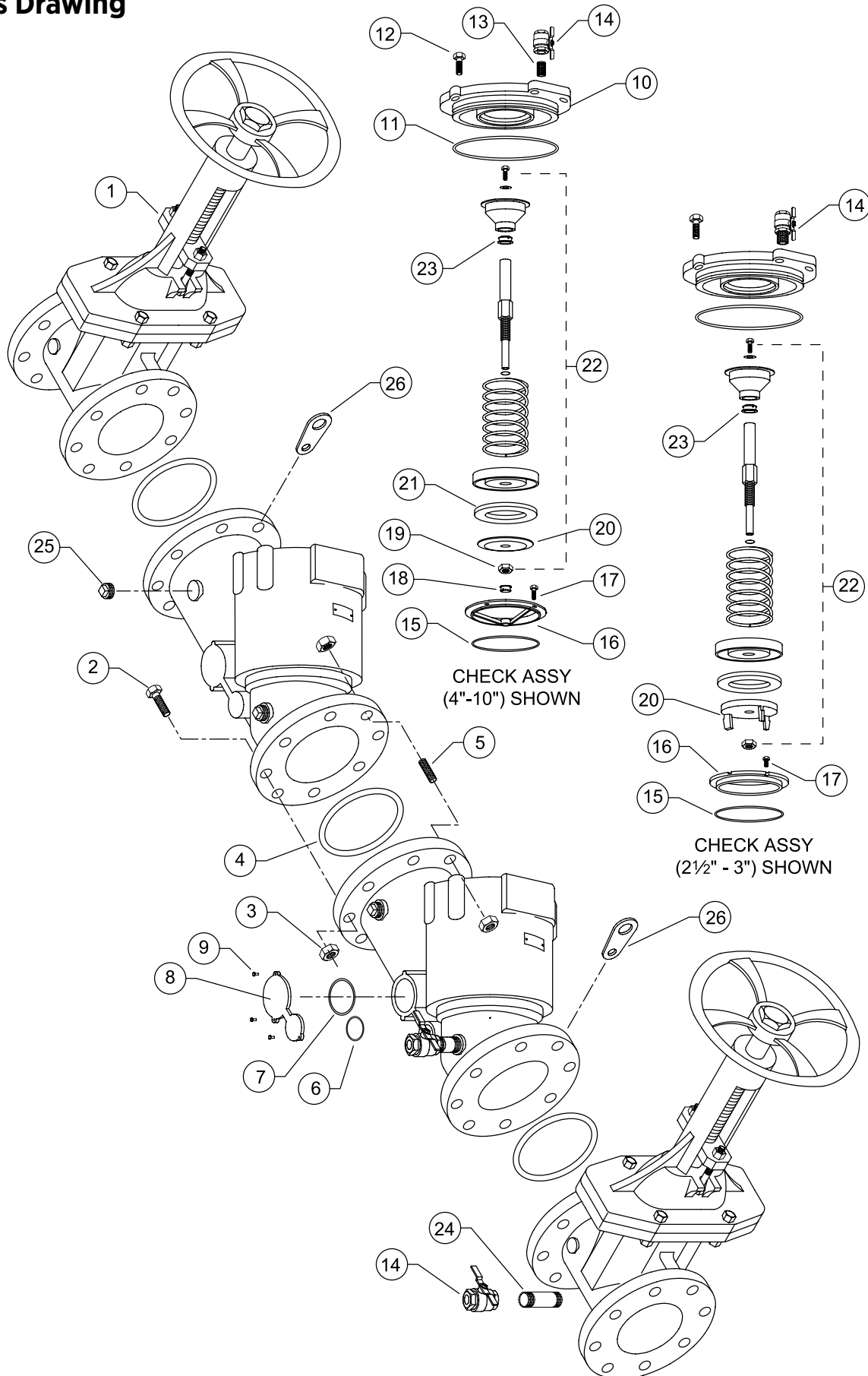
Item Number	Description	2-1/2"	3"	4"	6"	8"	10"
1	GATE VALVE, NRS	212-48	3-48	4-48	6-48	8-48	10-48
	GATE VALVE, OS&Y	212-48OSY	3-48OSY	4-48OSY	6-48OSY	8-48OSY	10-48OSY
2	BOLT, FLANGE	558-11D	558-11D	559-11	5510-11	9511-11B	9512-11B
3	NUT, FLANGE	558-9	558-9	558-9	5510-9	5510-9	9512-9A
4	GASKET, FLANGE	557-13	558-13	559-13	5510-13	9511-13	9512-13
5	STUD, FLANGE	959-11A	959-11A	959-11A	9511-11A	9511-11A	N/A
6	O-RING, SMALL	022N	022N	022N	022N	022N	022N
7	O-RING, LARGE	033N	033N	033N	033N	036N	036N
8	COVER PLATE	957-3A-010F	957-3A-010F	957-3A-010F	957-3A-010F	9511-3A-010F	9511-3A-010F
9	BOLT, COVER PLATE	554-11A	554-11A	554-11A	554-11A	554-11A	554-11A
10	COVER	957-3C	957-3C	959-3C	9510-3C	9511-3C	9512-3C
11	O-RING, COVER	248N	248N	264N	374N	452N	457N
12	BOLT, COVER	957-11	957-11	959-11	9510-11	9511-11	9512-11
13	NIPPLE, SHORT	N/A	N/A	N/A	102-21B	102-21B	102-21B
14	BALL VALVE, MALE	12-850MXL	12-850MXL	12-850MXL	N/A	N/A	N/A
	BALL VALVE, FEMALE	12-850XL	12-850XL	12-850XL	34-850XL	34-850XL	34-850XL
15	O-RING, SEAT	238N	238N	252N	366N	374N	379N
16	SEAT	957-18-010F	957-18-010F	959-18-010F	9510-18-010F	9511-18-010F	9512-18-010F
17	BOLT, SEAT	5752-11	5752-11	959-11B	959-11B	959-11B	959-11B
18	LOWER STEM GUIDE	N/A	N/A	959-2	957-2	9511-2	9512-2
19	NUT, STEM	957-9	957-9	959-9	9511-9	9511-9	9512-9
20	RETAINING PLATE	957-31-010F	957-31-010F	959-14-010F	9510-14-010F	9511-14-010F	9512-14-010F
21	SEAL RING	558-12	558-12	959-12	9510-12	9511-12	9512-12
22	POPPET ASSEMBLY	957-300	957-300	959-300	9510-300	9511-300	9512-300
23	UPPER STEM GUIDE	957-2	957-2	957-2	9510-2	9511-2A	9512-2A
24	NIPPLE, LONG	558-21B	558-21B	558-21B	5510-21B	5510-21B	5510-21B
25	PLUG	558-7	558-7	558-7	5510-7	5510-7	5510-7
26	LIFTING LUG	N/A	N/A	N/A	9510-24	9510-24	N/A

### Repair Kit

RK212-950			Size 2-1/2" & 3"			RK6-950			Size 6"			RK10-950			Size 10"		
Part Number	Qty.	Description	Part Number	Qty.	Description	Part Number	Qty.	Description	Part Number	Qty.	Description	Part Number	Qty.	Description	Part Number	Qty.	Description
558-12	2	SEAL RING	9510-12	2	SEAL RING	9512-12	2	SEAL RING									
248N	2	O-RING, COVER	374N	2	O-RING, COVER	457N	2	O-RING, COVER									
RK4-950			Size 4"			RK8-950			Size 8"								
Part Number	Qty.	Description	Part Number	Qty.	Description												
959-12	2	SEAL RING	9511-12	2	SEAL RING												
264N	2	O-RING, COVER	452N	2	O-RING, COVER												

# MODEL 950 - 2-1/2" to 10"

## Parts Drawing



# MODEL 975XLST

## Stainless Steel Reduced Pressure Principle – Backflow Preventers 3/8" and 1/2"



Item Number	Description	3/8"	1/2"
1	BALL VALVE, SS TAPPED	12-850TMSS/971A-2	12-850TMSS
2	TEST COCK, SS	18-860SS	18-860SS
3	CHECK COVER, SS	971-3SS-010F	971-3SS-010F
4	O-RING, COVER	123N	123N
5	NO.2 CHECK SPRING	951-33	951-33
6	NO.1 CHECK SPRING	971-33	971-33
7	POPPET	951-30	951-30
8	SEAL RING	951-12S	951-12S
9	SEAL RING RETAINER	951-14	951-14
10	RETAINING BOLT	951-11	951-11
11	POPPET ASSEMBLY	951-300S	951-300S
12	CHECK SEAT	951-18	951-18
13	O-RING, CHECK SEAT	020N	020N
14	BALL VALVE, SS	12-850MSS/971A-2	12-850MSS
15	O-RING, RELIEF VALVE SEAT	WK-016N	WK-016N
16	RELIEF VALVE SEAT	971-18	971-18
17	RELIEF VALVE SPRING	971A-33	971A-33
18	RELIEF VALVE RETAINING BOLT	971-11	971-11
19	RELIEF VALVE SEAL RING RETAINER	971-14	971-14
20	RELIEF VALVE SEAL RING	971-12S	971-12S
21	RELIEF VALVE LOWER PLUNGER	971-34A	971-34A
22	RELIEF VALVE DIAPHRAGM	971-43	971-43
23	RELIEF VALVE UPPER PLUNGER	971-34	971-34
24	O-RING, RELIEF VALVE STEM	011N	011N
25	RELIEF VALVE STEM ASSY.	971-50S	971-50S
26	RELIEF VALVE COVER BOLTS	971-11A	971-11A
	RV. & CHECK SEAT TOOL	971-SEATTOOL	
27	RELIEF VALVE COVER, SS	971-3ASS-010F	971-3ASS-010F

### Repair Kit, Complete

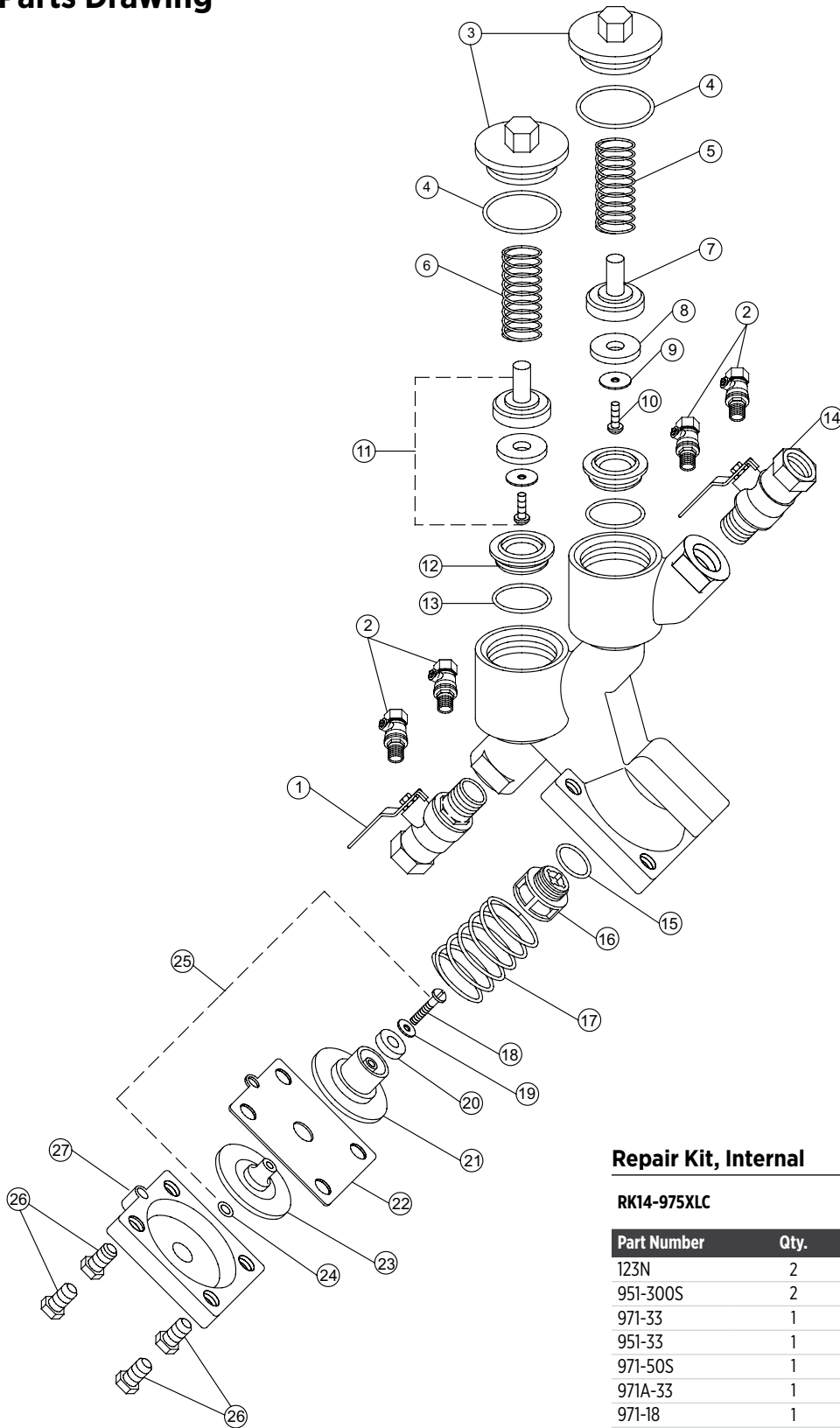
RK14-975XL			Size 3/8", 1/2" Only
Part Number	Qty.	Description	
951-12S	2	SEAL RING	
971-12S	1	RELIEF VALVE SEAL RING	
971-43	1	DIAPHRAGM	
123N	2	O-RING, COVER	
011N	1	O-RING, RELIEF VALVE STEM	
971-33	1	NO. 1 CHECK SPRING	
951-33	1	NO.2 CHECK SPRING	
971A-33	1	RELIEF VALVE SPRING	

### Repair Kit, Rubber

RK14-975XLR			Size 3/8", 1/2" Only
Part Number	Qty.	Description	
951-12S	2	SEAL RING	
971-12S	1	RELIEF VALVE SEAL RING	
971-43	1	DIAPHRAGM	
123N	2	O-RING, COVER	
011N	1	O-RING, RELIEF VALVE STEM	

# MODEL 975XLST - 3/8" and 1/2"

## Parts Drawing



### Repair Kit, Internal

RK14-975XLC

Size 3/8" & 1/2" Only

Part Number	Qty.	Description
123N	2	O-RING, COVER
951-300S	2	POPPET ASSEMBLY
971-33	1	NO.1 CHECK SPRING
951-33	1	NO.2 CHECK SPRING
971-50S	1	RELIEF VALVE STEM ASSY.
971A-33	1	RELIEF VALVE SPRING
971-18	1	RELIEF VALVE SEAT
020N	2	O-RING, CHECK SEAT
951-18	2	CHECK SEAT
WK-016N	1	O-RING, RELIEF VALVE SEAT

# MODEL 975XL2 and 975XL

Reduced Pressure Principle – Backflow Preventers 1/4" to 1/2"



Item Number	Description	1/4"	3/8"	1/2"
1	BALL VALVE, TAPPED	12-850TMXL/971B-2	12-850TMXL/971A-2	12-850TMXL
2	TEST COCK	18-860XL	18-860XL	18-860XL
3	CHECK COVER	971-3XL2-010F	971-3XL2-010F	971-3XL2-010F
4	O-RING, COVER	123N	123N	123N
5	NO.2 CHECK SPRING	951-33	951-33	951-33
6	NO.1 CHECK SPRING	971-33	971-33	971-33
7	POPPET	951-30	951-30	951-30
8	SEAL RING	951-12S	951-12S	951-12S
9	SEAL RING RETAINER	951-14	951-14	951-14
10	RETAINING BOLT	951-11	951-11	951-11
11	POPPET ASSEMBLY	951-300S	951-300S	951-300S
12	CHECK SEAT	951-18	951-18	951-18
13	O-RING, CHECK SEAT	020N	020N	020N
14	BALL VALVE	12-850MXL/971B-2	12-850MXL/971A-2	12-850MXL
15	O-RING, RELIEF VALVE SEAT	WK-016N	WK-016N	WK-016N
16	RELIEF VALVE SEAT	971-18	971-18	971-18
17	RELIEF VALVE SPRING	971A-33	971A-33	971A-33
18	RELIEF VALVE RETAINING BOLT	971-11	971-11	971-11
19	RELIEF VALVE SEAL RING RETAINER	971-14	971-14	971-14
20	RELIEF VALVE SEAL RING	971-12S	971-12S	971-12S
21	RELIEF VALVE LOWER PLUNGER	971-34A	971-34A	971-34A
22	RELIEF VALVE DIAPHRAGM	971-43	971-43	971-43
23	RELIEF VALVE UPPER PLUNGER	971-34	971-34	971-34
24	O-RING, RELIEF VALVE STEM	011N	011N	011N
25	RELIEF VALVE STEM ASSY.	971-50S	971-50S	971-50S
26	RELIEF VALVE COVER BOLTS	971-11A	971-11A	971-11A
	RV. & CHECK SEAT TOOL	971-SEATTOOL		
27	RELIEF VALVE COVER	971-3AXL2-010F	971-3AXL2-010F	971-3AXL2-010F

## Repair Kit, Complete

**RK14-975XL** Size 1/4", 3/8", 1/2" Only

Part Number	Qty.	Description
951-12S	2	SEAL RING
971-12S	1	RELIEF VALVE SEAL RING
971-43	1	DIAPHRAGM
123N	2	O-RING, COVER
011N	1	O-RING, RELIEF VALVE STEM
971-33	1	NO. 1 CHECK SPRING
951-33	1	NO.2 CHECK SPRING
971A-33	1	RELIEF VALVE SPRING

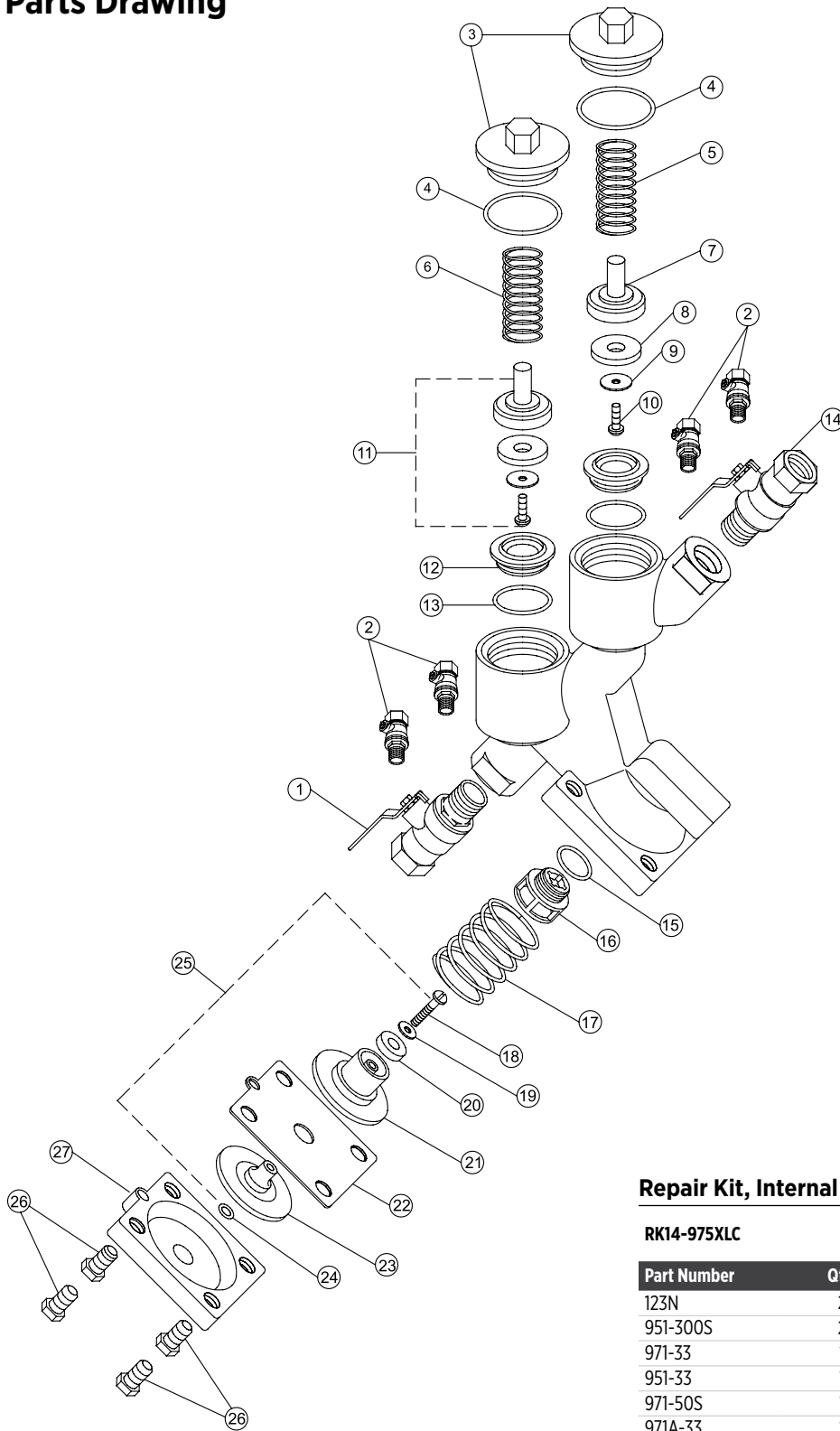
## Repair Kit, Rubber

**RK14-975XLR** Size 1/4", 3/8", 1/2" Only

Part Number	Qty.	Description
951-12S	2	SEAL RING
971-12S	1	RELIEF VALVE SEAL RING
971-43	1	DIAPHRAGM
123N	2	O-RING, COVER
011N	1	O-RING, RELIEF VALVE STEM

# MODEL 975XL2 and 975XL - 1/4" to 1/2"

## Parts Drawing



### Repair Kit, Internal

RK14-975XLC Size 1/4", 3/8" & 1/2" Only

Part Number	Qty.	Description
123N	2	O-RING, COVER
951-300S	2	POPPET ASSEMBLY
971-33	1	NO.1 CHECK SPRING
951-33	1	NO.2 CHECK SPRING
971-50S	1	RELIEF VALVE STEM ASSY.
971A-33	1	RELIEF VALVE SPRING
971-18	1	RELIEF VALVE SEAT
020N	2	O-RING, CHECK SEAT
951-18	2	CHECK SEAT
WK-016N	1	O-RING, RELIEF VALVE SEAT

# MODEL 975XL2 and 975XL

## Reduced Pressure Principle – Backflow Preventers 3/4" to 2"



Item Number	Description	3/4"	1"	1-1/4"	1-1/2"	2"
1	BALL VALVE, TAPPED 975XL2	34-850TXL	1-850TXL	114-850TXL	112-850TXL	2-850TXL
1	BALL VALVE, TAPPED 975XL	34-850T	1-850T	114-850T	112-850T	2-850T
	BALL VALVE, 975XL2	34-850XL	1-850XL	114-850XL	112-850XL	2-850XL
2	BALL VALVE, 975XL	34-850	1-850	114-850	112-850	2-850
	BUTTERFLY VALVE*	N/A	N/A	114-49BRXL	112-49BRXL	2-49BRXL
	BUTTERFLY VALVE, TAPPED*	N/A	N/A	114-49BRXLT	112-49BRXLT	2-49BRXLT
3	O-RING, CHECK SEAT	WK-125N	WK-125N	136N	136N	136N
4	CHECK SEAT	952-18S	952-18S	954-18S	954-18S	954-18S
5	RETAINING BOLT	952-11	952-11	952-11	952-11	952-11
6	SEAL RING RETAINER	952-14	952-14	954-14	954-14	954-14
7	SEAL RING	952-12S	952-12S	954-12S	954-12S	954-12S
8	POPPET	952-30-010F	952-30-010F	954-30-010F	954-30-010F	954-30-010F
9	NO.1 CHECK SPRING	972-33	972-33	5754-33	5754-33	5754-33
10	O-RING, COVER	136N	136N	153N	153N	153N
11	CHECK COVER	952-3XL2-010F	952-3XL2-010F	954-3XL2-010F	954-3XL2-010F	954-3XL2-010F
12	POPPET ASSY.	952-300S	952-300S	954-300S	954-300S	954-300S
13	NO.2 CHECK SPRING	952-33	952-33	554-33	554-33	554-33
14	TEST COCK	18-860XL	18-860XL	14-860XL	14-860XL	14-860XL
15	O-RING, RELIEF VALVE SEAT	WK-019N	WK-019N	029N	029N	029N
16	RELIEF VALVE SEAT	972-18	972-18	974-18	974-18	974-18
17	RELIEF VALVE SPRING	972A-33	972A-33	974A-33	974A-33	974A-33
18	RELIEF VALVE RETAINING BOLT	972-11A	972-11A	604B-11	604B-11	604B-11
19	RELIEF VALVE SEAL RING RETAINER	972-14	972-14	552-14	552-14	552-14
20	RELIEF VALVE SEAL RING	972-12S	972-12S	974-12S	974-12S	974-12S
21	RELIEF VALVE LOWER PLUNGER	972-34A	972-34A	974-34A	974-34A	974-34A
22	RELIEF VALVE DIAPHRAGM	972-43	972-43	974-43	974-43	974-43
23	RELIEF VALVE UPPER PLUNGER	972-34	972-34	974-34	974-34	974-34
24	O-RING, RELIEF VALVE STEM	WK-111N	WK-111N	121N	121N	121N
25	RELIEF VALVE STEM ASSY.	972-50S	972-50S	974-50S	974-50S	974-50S
26	RELIEF VALVE COVER BOLT	554-11A	554-11A	554-11A	554-11A	554-11A
	RV. & CHECK SEAT TOOL	972-SEATTOOL		974-SEATTOOL		
27	RELIEF VALVE COVER	972-3AXL2-010F	972-3AXL2-010F	974-3AXL2-010F	974-3AXL2-010F	974-3AXL2-010F

\*INTEGRAL SUPERVISORY SWITCH OPTION AVAILABLE

### Repair Kit, Complete

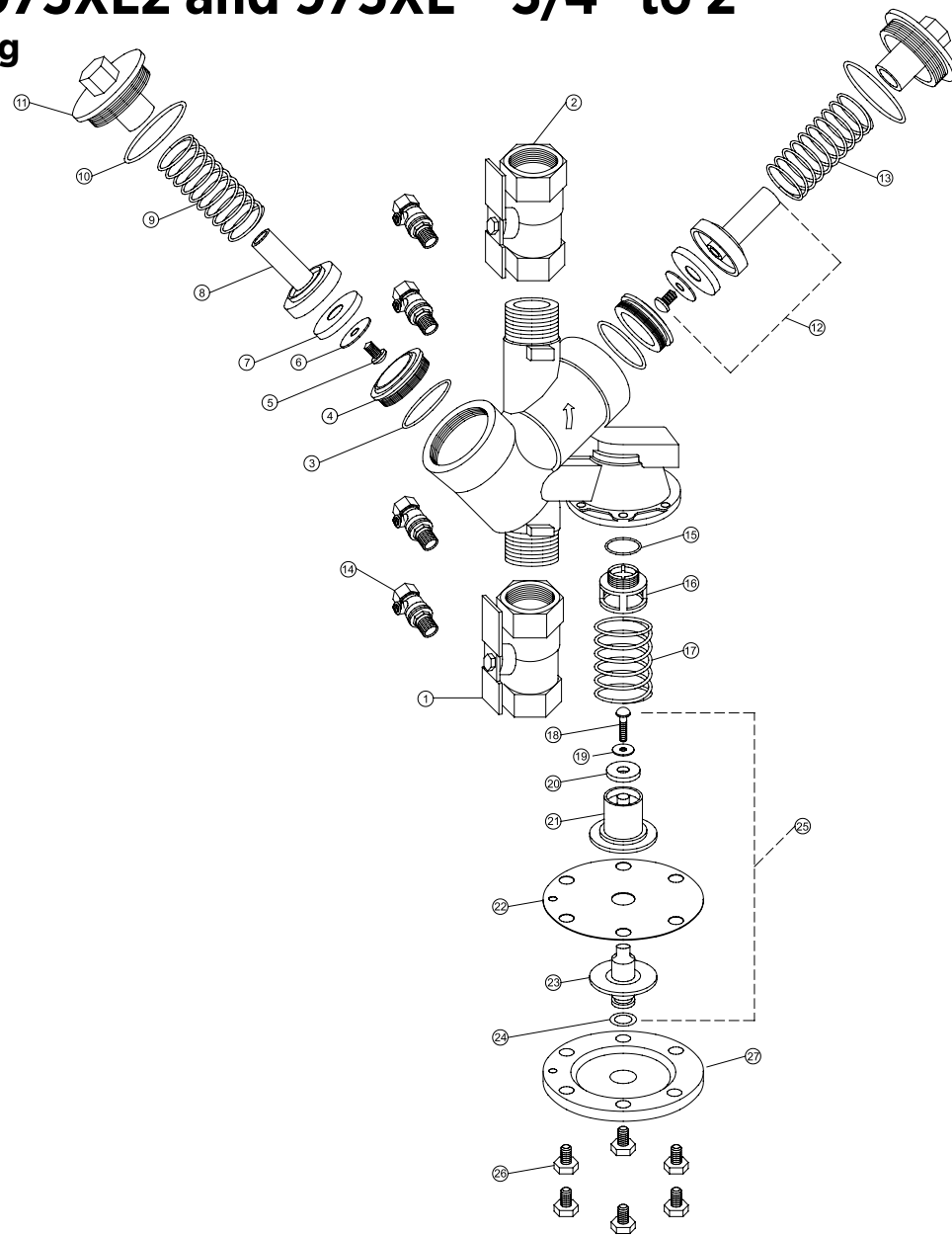
RK34-975XL Size 3/4", & 1" Only			RK114-975XL Size 1-1/4", 1-1/2", 2" Only		
Part Number	Qty.	Description	Part Number	Qty.	Description
952-12S	2	SEAL RING	954-12S	2	SEAL RING
972-12S	1	RELIEF VALVE SEAL RING	974-12S	1	RELIEF VALVE SEAL RING
972-43	1	DIAPHRAGM	974-43	1	DIAPHRAGM
136N	2	O-RING, COVER	153N	2	O-RING, COVER
WK-111N	1	O-RING, RELIEF VALVE STEM	121N	1	O-RING, RELIEF VALVE STEM
972-33	1	NO. 1 CHECK SPRING	5754-33	1	NO. 1 CHECK SPRING
952-33	1	NO. 2 CHECK SPRING	554-33	1	NO. 2 CHECK SPRING
972A-33	1	RELIEF VALVE SPRING	974A-33	1	RELIEF VALVE SPRING

### Repair Kit, Rubber

RK34-975XLR Size 3/4", & 1" Only			RK114-975XLR Size 1-1/4", 1-1/2", 2" Only		
Part Number	Qty.	Description	Part Number	Qty.	Description
952-12S	2	SEAL RING	954-12S	2	SEAL RING
972-12S	1	RELIEF VALVE SEAL RING	974-12S	1	RELIEF VALVE SEAL RING
972-43	1	DIAPHRAGM	974-43	1	DIAPHRAGM
136N	2	O-RING, COVER	153N	2	O-RING, COVER
WK-111N	1	O-RING, RELIEF VALVE STEM	121N	1	O-RING, RELIEF VALVE STEM

# MODEL 975XL2 and 975XL - 3/4" to 2"

## Parts Drawing



### Repair Kit, Internal

RK34-975XLC			Size 3/4", & 1" Only			RK114-975XLC			Size 1-1/4", 1-1/2", 2" Only		
Part Number	Qty.	Description	Part Number	Qty.	Description	Part Number	Qty.	Description	Part Number	Qty.	Description
136N	2	O-RING, COVER	153N	2	O-RING, COVER	954-300S	2	POPPET ASSY	974-50S	1	RELIEF VALVE STEM ASSY
952-300S	2	POPPET ASSY	954-300S	2	POPPET ASSY	972A-33	1	RELIEF VALVE SPRING	RK34-975XLSK	1	SEAT REPAIR KIT
972-33	1	NO. 1 CHECK SPRING	5754-33	1	NO. 1 CHECK SPRING						
952-33	1	NO. 2 CHECK SPRING	554-33	1	NO. 2 CHECK SPRING						
972-50S	1	RELIEF VALVE STEM ASSY	974-50S	1	RELIEF VALVE STEM ASSY						
			974A-33	1	RELIEF VALVE SPRING						
			RK114-975XLSK	1	SEAT REPAIR KIT						

### Repair Kit, Seat

RK34-975XLSK			Size 3/4" & 1" Only			RK114-975XLSK			Size 1-1/4", 1-1/2", 2" Only		
Part Number	Qty.	Description	Part Number	Qty.	Description	Part Number	Qty.	Description	Part Number	Qty.	Description
952-18S	2	CHK SEAT, 3/4" XL	954-18S	2	CHK SEAT, 1-1/4" XL	136N	2	O-RING, CHECK SEAT	974-18	1	CU SEAT, 1-1/4" 975XL
WK-125N	2	O-RING, CHECK SEAT	136N	2	O-RING, CHECK SEAT	029N	1	O-RING, RELIEF VALVE SEAT			
972-18	1	CU SEAT, 3/4" XL	974-18	1	CU SEAT, 1-1/4" 975XL						
WK-019N	1	O-RING, RELIEF VALVE SEAT	029N	1	O-RING, RELIEF VALVE SEAT						

For more information please visit [www.zurn.com](http://www.zurn.com)

Rev. C

# MODEL 375ST

## Stainless Steel Reduced Pressure Principle – Backflow Preventers 1/2" to 1"



Item	Description	1/2"	3/4"	1"
1	WEDGE SCREW	372-11B	372-11B	373-11B
2	WEDGE	372-23	372-23	373-23
3	O-RING, SLEEVE	118N	118N	216N
4	SLEEVE	372-2	372-2	373-2
5	O-RING, #1 CHECK SEAT	124N	124N	225N
6	#1 CHECK SEAT	372-18A	372-18A	373-18A
7	POPPET SCREW	30-11	30-11	952-11
8	CHECK SEAL RETAINER	372-14A	372-14A	373-14A
9	CHECK SEAL RING	372-12A	372-12A	373-12A
10	POPPET	372-30	372-30	373-30
11	#1 CHECK SPRING	372-33A	372-33A	373-33A
12	#1CHECK SPRING RETAINER	372A-80A	372A-80A	373A-80A
13	O-RING, #2 CHECK SEAT	124N	124N	223N
14	#2 CHECK SEAT	372-18B	372-18B	373-18B
15	#2 CHECK SPRING	372-33B	372-33B	373-33B
16	#2 CHECK SPRING RETAINER	372A-80B	372A-80B	373A-80B
17	O-RING, HOUSING INLET	130N	130N	227N
18	TEST COCK, SS	18-860SS	18-860SS	18-860SS
19	CHECK HOUSING	372-1	372-1	373-1
20	O-RING, HOUSING OUTLET	119N	119N	218N
21	O-RING, RV COVER	010N	010N	010N
22	O-RING, RV SEAT	WK-018N	WK-018N	WK-018N
23	RELIEF VALVE SEAT	372-18	372-18	372-18
24	RELIEF VALVE SPRING	372-33CU	372-33CU	372-33CU
25	RV SEAL RETAINING SCREW	372-11C	372-11C	372-11C
26	RV SEAL RING	372-12	372-12	372-12
27	RV LOWER PLUNGER	372-34A	372-34A	372-34A
28	DIAPHRAGM	372-43	372-43	372-43
29	RV UPPER PLUNGER	372-34	372-34	372-34
30	O-RING, RV STEM	015N	015N	015N
31	RELIEF VALVE COVER	372-3	372-3	373-3
32	RV COVER SCREW, SHORT	372-11B	372-11B	372-11B
	RV COVER SCREW, LONG	372-11	372-11	N/A
33	INLET BALL VALVE, SS	RK12-375STBV1	RK34-375STBV1	RK1-375STBV1
34	OUTLET BALL VALVE, SS	371-48BSS	372-48BSS	373-48BSS
35	#1 CHECK ASSEMBLY	372-300A	372-300A	373-300A
36	#2 CHECK ASSEMBLY	372-300B	372-300B	373-300B
37	RELIEF VALVE STEM ASSY	372-50	372-50	372-50
38	COMPLETE VESSEL ASSY	RK34-375V	RK34-375V	RK1-375V
39	HOUSING, BLOW OUT/FLUSH	372-1BOF	372-1BOF	373-1BOF
40	BALL VALVE HANDLE & NUT	372-6XL	372-6XL	373-6XL

### Repair Kit

REPAIR KIT COMPLETE		RK34-375 3/4" 375ST		RK1-375 1" 375ST	
Description	Part Number	Qty.	Part Number	Qty.	
#1 CHECK ASSEMBLY	372-300A	1	373-300A	1	
#2 CHECK ASSEMBLY	372-300B	1	373-300B	1	
RELIEF VALVE STEM ASSY	372-50	1	372-50	1	
O-RING, SLEEVE	118N	1	216N	1	
O-RING, HOUSING INLET	130N	1	227N	1	
O-RING, HOUSING OUTLET	119N	1	218N	1	
O-RING, RV COVER	010N	1	010N	1	
O-RING, RV SEAT	WK-018N	1	WK-018N	1	
RELIEF VALVE SEAT	372-18	1	372-18	1	
RELIEF VALVE SPRING	372-33CU	1	372-33CU	1	

REPAIR KIT, RUBBER ONLY		RK34-375R 3/4" 375ST		RK1-375R 1" 375ST	
Description	Part Number	Qty.	Part Number	Qty.	
O-RING, #1 CHECK SEAT	124N	1	225N	1	
O-RING, #2 CHECK SEAT	124N	1	223N	1	
CHECK SEAL RING	372-12A	2	373-12A	2	
O-RING, SLEEVE	118N	1	216N	1	
O-RING, HOUSING INLET	130N	1	227N	1	
O-RING, HOUSING OUTLET	119N	1	218N	1	
O-RING, RV COVER	010N	1	010N	1	
O-RING, RV SEAT	WK-018N	1	WK-018N	1	
RELIEF VALVE SEAL RING	372-12	1	372-12	1	
DIAPHRAGM	372-43	1	372-43	1	
O-RING, RV STEM	015N	1	015N	1	

REPAIR KIT, VESSEL ASSY		RK34-375V 3/4" 375ST		RK1-375V 1" 375ST	
Description	Part Number	Qty.	Part Number	Qty.	
VESSEL W/CHECKS AND RV	ITEM 38	1	ITEM 38	1	

REPAIR KIT, WEDGE ASSY		RK34-375W 3/4" 375ST		RK1-375W 1" 375ST	
Description	Part Number	Qty.	Part Number	Qty.	
O-RING, SLEEVE	118N	1	216N	1	
SLEEVE	372-2	1	373-2	1	
WEDGE	372-23	1	373-23	1	
WEDGE SCREW	372-11B	2	373-11B	2	

REPAIR KIT, BLOW OUT/FLUSH FITTING		RK34-375BOF 3/4" 375ST		RK1-375BOF 1" 375ST	
Description	Part Number	Qty.	Part Number	Qty.	
HOUSING, BLOW OUT/FLUSH	372-1BOF	1	373-1BOF	1	
O-RING, HOUSING INLET	130N	1	227N	1	
O-RING, HOUSING OUTLET	119N	1	218N	1	

REPAIR KIT, BALL VALVE HANDLES		RK34-375XLBVHD 1/2" - 3/4"		RK1-375XLBVHD 1"	
Description	Part Number	Qty.	Part Number	Qty.	
GREEN BALL VALVE HANDLE & NUT	372-6XL	2	373-6XL	2	



# MODEL 375XL and 375

## Reduced Pressure Principle – Backflow Preventers 1/2" to 1"



Item	Description	1/2"	3/4"	1"
1	WEDGE SCREW	372-11B	372-11B	373-11B
2	WEDGE	372-23	372-23	373-23
3	O-RING, SLEEVE	118N	118N	216N
4	SLEEVE	372-2	372-2	373-2
5	O-RING, #1 CHECK SEAT	124N	124N	225N
6	#1 CHECK SEAT	372-18A	372-18A	373-18A
7	POPPET SCREW	30-11	30-11	952-11
8	CHECK SEAL RETAINER	372-14A	372-14A	373-14A
9	CHECK SEAL RING	372-12A	372-12A	373-12A
10	POPPET	372-30	372-30	373-30
11	#1 CHECK SPRING	372-33A	372-33A	373-33A
12	#1CHECK SPRING RETAINER	372A-80A	372A-80A	373A-80A
13	O-RING, #2 CHECK SEAT	124N	124N	223N
14	#2 CHECK SEAT	372-18B	372-18B	373-18B
15	#2 CHECK SPRING	372-33B	372-33B	373-33B
16	#2 CHECK SPRING RETAINER	372A-80B	372A-80B	373A-80B
17	O-RING, HOUSING INLET	130N	130N	227N
18	TEST COCK	18-860XL	18-860XL	18-860XL
19	CHECK HOUSING	372-1	372-1	373-1
20	O-RING, HOUSING OUTLET	119N	119N	218N
21	O-RING, RV COVER	010N	010N	010N
22	O-RING, RV SEAT	WK-018N	WK-018N	WK-018N
23	RELIEF VALVE SEAT	372-18	372-18	372-18
24	RELIEF VALVE SPRING	372-33CU	372-33CU	372-33CU
25	RV SEAL RETAINING SCREW	372-11C	372-11C	372-11C
26	RV SEAL RING	372-12	372-12	372-12
27	RV LOWER PLUNGER	372-34A	372-34A	372-34A
28	DIAPHRAGM	372-43	372-43	372-43
29	RV UPPER PLUNGER	372-34	372-34	372-34
30	O-RING, RV STEM	015N	015N	015N
31	RELIEF VALVE COVER	372-3	372-3	373-3
32	RV COVER SCREW, SHORT	372-11B	372-11B	372-11B
	RV COVER SCREW, LONG	372-11	372-11	N/A
33	INLET BALL VALVE, 375XL	RK12-375XLBV1	RK34-375XLBV1	RK1-375XLBV1
33	INLET BALL VALVE, 375	RK12-375BV1	RK34-375BV1	RK1-375BV1
34	OUTLET BALL VALVE, 375XL	371-48BXL	372-48BXL	373-48BXL
34	OUTLET BALL VALVE, 375	371-48B	372-48B	373-48B
35	#1 CHECK ASSEMBLY	372-300A	372-300A	373-300A
36	#2 CHECK ASSEMBLY	372-300B	372-300B	373-300B
37	RELIEF VALVE STEM ASSY	372-50	372-50	372-50
38	COMPLETE VESSEL ASSY	RK34-375V	RK34-375V	RK1-375V
39	HOUSING, BLOW OUT/FLUSH	372-1BOF	372-1BOF	373-1BOF
40	GREEN BALL VALVE HANDLE & NUT	372-6XL	372-6XL	373-6XL
40	BLUE BALL VALVE HANDLE & NUT	372-6	372-6	373-6

### Repair Kit

REPAIR KIT, COMPLETE		RK34-375 1/2" - 3/4"		RK1-375 1"	
Description	Part Number	Qty.	Part Number	Qty.	
#1 CHECK ASSEMBLY	372-300A	1	373-300A	1	
#2 CHECK ASSEMBLY	372-300B	1	373-300B	1	
RELIEF VALVE STEM ASSY	372-50	1	372-50	1	
O-RING, SLEEVE	118N	1	216N	1	
O-RING, HOUSING INLET	130N	1	227N	1	
O-RING, HOUSING OUTLET	119N	1	218N	1	
O-RING, RV COVER	010N	1	010N	1	
O-RING, RV SEAT	WK-018N	1	WK-018N	1	
RELIEF VALVE SEAT	372-18	1	372-18	1	
RELIEF VALVE SPRING	372-33CU	1	372-33CU	1	

REPAIR KIT, RUBBER ONLY		RK34-375R 1/2" - 3/4"		RK1-375R 1"	
Description	Part Number	Qty.	Part Number	Qty.	
O-RING, #1 CHECK SEAT	124N	1	225N	1	
O-RING, #2 CHECK SEAT	124N	1	223N	1	
CHECK SEAL RING	372-12A	2	373-12A	2	
O-RING, SLEEVE	118N	1	216N	1	
O-RING, HOUSING INLET	130N	1	227N	1	
O-RING, HOUSING OUTLET	119N	1	218N	1	
O-RING, RV COVER	010N	1	010N	1	
O-RING, RV SEAT	WK-018N	1	WK-018N	1	
RELIEF VALVE SEAL RING	372-12	1	372-12	1	
DIAPHRAGM	372-43	1	372-43	1	
O-RING, RV STEM	015N	1	015N	1	

REPAIR KIT, VESSEL ASSY		RK34-375V 1/2" - 3/4"		RK1-375V 1"	
Description	Part Number	Qty.	Part Number	Qty.	
VESSEL W/CHECKS AND RV	ITEM 38	1	ITEM 38	1	

REPAIR KIT, WEDGE ASSY		RK34-375W 1/2" - 3/4"		RK1-375W 1"	
Description	Part Number	Qty.	Part Number	Qty.	
O-RING, SLEEVE	118N	1	216N	1	
SLEEVE	372-2	1	373-2	1	
WEDGE	372-23	1	373-23	1	
WEDGE SCREW	372-11B	2	373-11B	2	

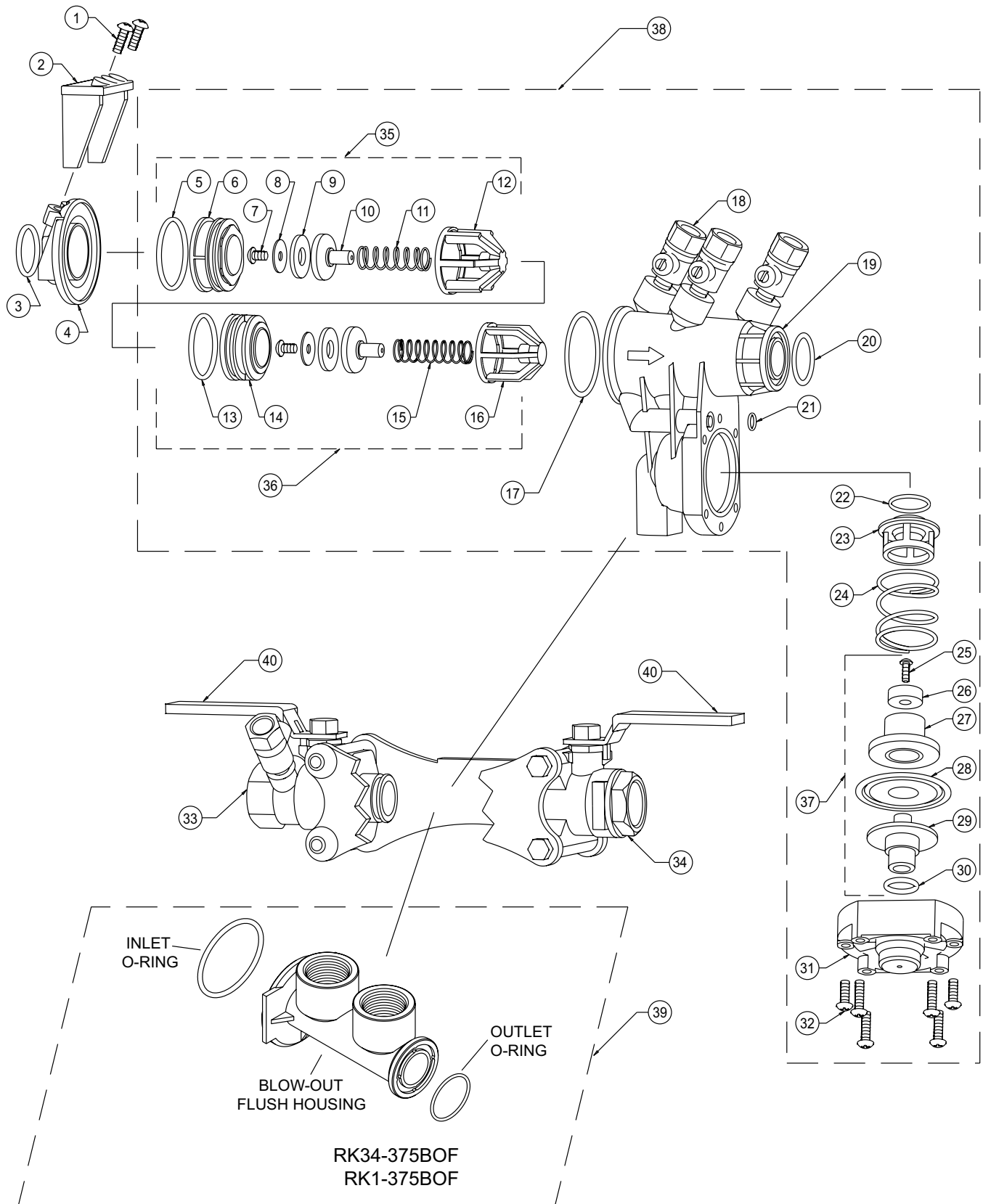
REPAIR KIT, BLOW OUT/FLUSH FITTING		RK34-375BOF 1/2" - 3/4"		RK1-375BOF 1"	
Description	Part Number	Qty.	Part Number	Qty.	
HOUSING, BLOW OUT/FLUSH	372-1BOF	1	373-1BOF	1	
O-RING, HOUSING INLET	130N	1	227N	1	
O-RING, HOUSING OUTLET	119N	1	218N	1	

REPAIR KIT, BALL VALVE HANDLES		RK34-375XLBVHD 1/2" - 3/4"		RK1-375XLBVHD 1"	
Description	Part Number	Qty.	Part Number	Qty.	
GREEN BALL VLV. HANDLE & NUT	372-6XL	2	373-6XL	2	

REPAIR KIT, BALL VALVE HANDLES		RK34-375BVHD 1/2" - 3/4"		RK1-375BVHD 1"	
Description	Part Number	Qty.	Part Number	Qty.	
BLUE BALL VLV. HANDLE & NUT	372-6	2	373-6	2	

# MODEL 375XL and 375 - 1/2" to 1"

## Parts Drawing



# MODEL 375XL and 375

## Reduced Pressure Principle – Backflow Preventers 1-1/4" to 2"



Item Number	Description	1-1/4" Product Number	1-1/2" Product Number	2" Product Number
1	HOUSING	374-1	374-1	374-1
1	INTEGRAL INLET BV, 375XL	374-48AXL	375-48AXL	376-48AXL
2	INTEGRAL INLET BV, 375	374-48A	375-48A	376-48A
3	O-RING	331N	331N	331N
4	SLEEVE	374-2	374-2	374-2
5	O-RING	337N	337N	337N
6	BOLT	352-11	352-11	352-11
7	TEST COCKS	14-860XL	14-860XL	14-860XL
8	BOLT	959-11B	959-11B	959-11B
9	INTEGRAL OUTLET BV, 375XL	374-48BXL	375-48BXL	376-48BXL
9	INTEGRAL OUTLET BV, 375	374-48B	375-48B	376-48B
10	SEAT, #1	374-18A	374-18A	374-18A
11	SPRING, #1	374-33A	374-33A	374-33A
12	SPRING RETAINER, #1	374-80A	374-80A	374-80A
13	BOLT	374-11A	374-11A	374-11A
14	SEAL RETAINER	374-14A	374-14A	374-14A
15	SEAL WASHER	374-12A	374-12A	374-12A
16	POPPET	374-30	374-30	374-30
17	O-RING	336N	336N	336N
18	SEAT, #2	374-18B	374-18B	374-18B
19	SPRING, #2	374-33B	374-33B	374-33B
20	SPRING RETAINER, #2	374-80B	374-80B	374-80B
21	SEAL WASHER	374-12	374-12	374-12
22	SEAL RETAINER	374-14CU	374-14CU	374-14CU
23	BOLT	952-11	952-11	952-11
24	O-RING	334N	334N	334N
25	NUT	5752-9	5752-9	5752-9
26	O-RING	WK-109N	WK-109N	WK-109N
27	BODY, RV	374-1CU	374-1CU	374-1CU
28	SEAT, RV	374-18CU	374-18CU	374-18CU
29	SPRING GUIDE	374-80CU	374-80CU	374-80CU
30	SPRING, RV	374-33CU	374-33CU	374-33CU
31	DIAPHRAGM	374-43	374-43	374-43
32	PLUNGER, RV	374-34	374-34	374-34
33	O-RING	123N	123N	123N
34	O-RING	243N	243N	243N
35	COVER	374-3	374-3	374-3
36	BOLT	374-11	374-11	374-11
37	SPACER	374-2A	374-2A	-
38	#1 CHECK ASSY	374-300A	374-300A	374-300A
39	#2 CHECK ASSY	374-300B	374-300B	374-300B
40	RELIEF VALVE STEM ASSY	374-50	374-50	374-50
41	VESSEL W/CHECKS & RV	RK114-375V	RK114-375V	RK114-375V
42	BODY, BLOW OUT FLUSH	374-1BOF	374-1BOF	374-1BOF
43	HOUSING, BLOW OUT/FLUSH	RK114-350-375BOF	RK114-350-375BOF	RK114-350-375BOF
44	GREEN BALL VALVE HANDLE & NUT	374-6XL	375-6XL	376-6XL
44	BLUE BALL VALVE HANDLE & NUT	374-6	375-6	376-6

### Repair Kit, Ball Valve Handles

**RK114-375XLBVHD**  
Size 1 1/4" 375XL/350XL

Item	Part Number	Qty.	Description
44	374-6XL	2	GREEN BALL VLV. HANDLE & NUT

**RK112-375XLBVHD**  
Size 1 1/2" 375XL/350XL

Item	Part Number	Qty.	Description
44	375-6XL	2	GREEN BALL VLV. HANDLE & NUT

**RK2-375XLBVHD**  
Size 2" 375XL/350XL

Item	Part Number	Qty.	Description
44	376-6XL	2	GREEN BALL VLV. HANDLE & NUT

**RK114-375BVHD**  
Size 1 1/4" 375/350

Item	Part Number	Qty.	Description
44	374-6	2	BLUE BALL VLV. HANDLE & NUT

**RK112-375BVHD**  
Size 1 1/2" 375/350

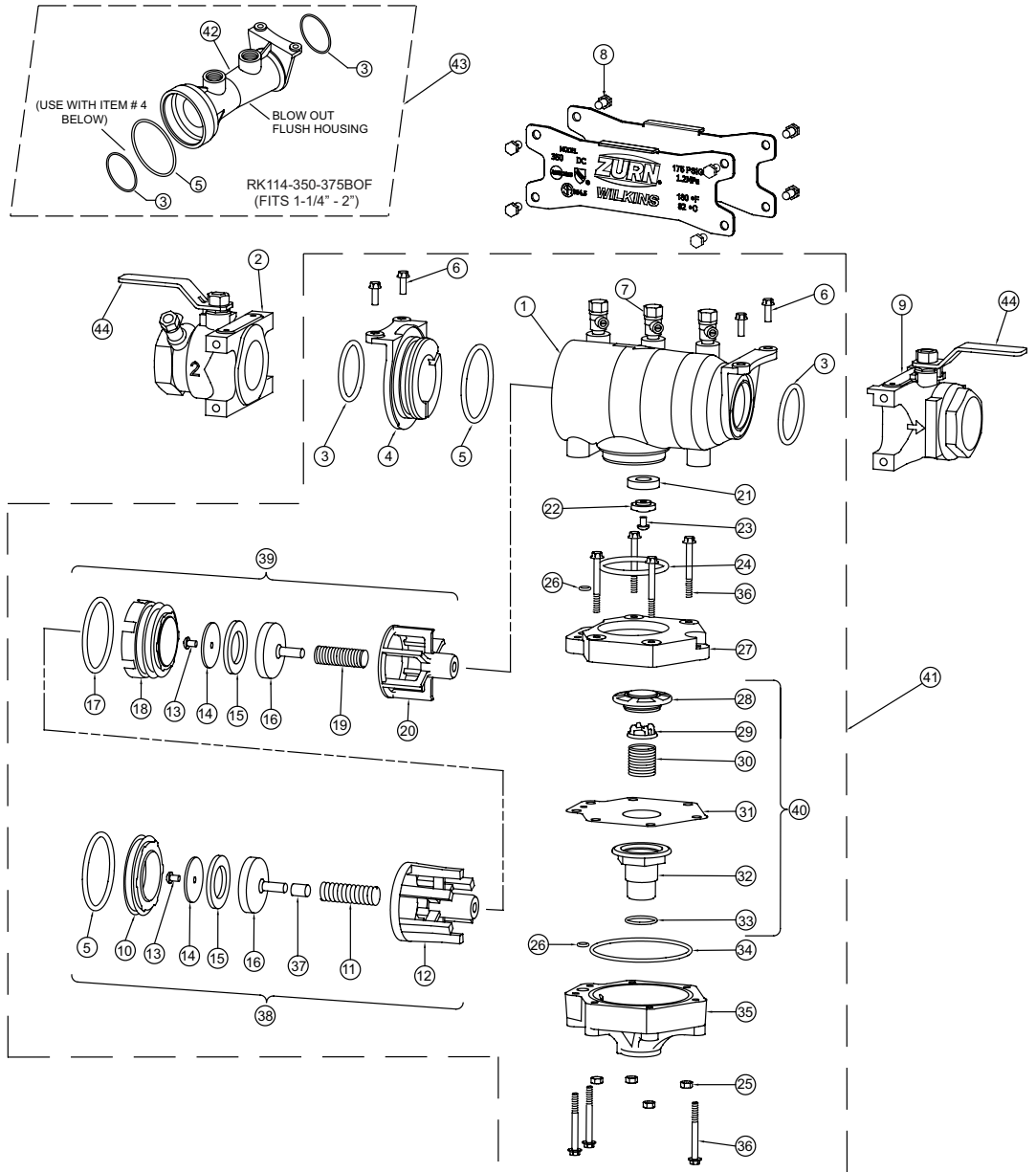
Item	Part Number	Qty.	Description
44	375-6	2	BLUE BALL VLV. HANDLE & NUT

**RK2-375BVHD**  
Size 2" 375/350

Item	Part Number	Qty.	Description
44	376-6	2	BLUE BALL VLV. HANDLE & NUT

# MODEL 375XL and 375 - 1-1/4" to 2"

## Parts Drawing



### Repair Kit

REPAIR KIT, RUBBER RK114-375R Size 1-1/4" - 2"				REPAIR KIT, COMPLETE RK114-375 Size 1-1/4" - 2"				REPAIR KIT, VESSEL RK114-375V Size 1-1/4" - 2"			
Item	Part Number	Qty.	Description	Item	Part Number	Qty.	Description	Item	Part Number	Qty.	Description
3	331N	2	O-RING	3	331N	2	O-RING	41	RK114-375V	1	VESSEL W/CHECKS & RV
5	337N	2	O-RING	5	337N	1	O-RING				
15	374-12A	2	SEAL WASHER	38	374-300A	1	#1 CHECK ASSY				
17	336N	1	O-RING	39	374-300B	1	#2 CHECK ASSY				
21	374-12	1	SEAL WASHER	21	374-12	1	SEAL WASHER				
24	334N	1	O-RING	22	374-14CU	1	SEAL RETAINER				
26	WK-109N	2	O-RING	24	334N	1	O-RING				
31	374-43	1	DIAPHRAGM	26	WK-109N	2	O-RING				
33	123N	1	O-RING	34	243N	1	O-RING				
34	243N	1	O-RING	40	374-50	1	RELIEF VLV. STEM ASSY				

REPAIR KIT, BLOW OUT/FLUSH RK114-350-375BOF Size 1-1/4" - 2"			
Item	Part Number	Qty.	Description
42	374-IBOF	1	BODY, BLOW OUT FLUSH
3	331N	2	O-RING
5	337N	1	O-RING

# MODEL 375, 475 and 475V

## Reduced Pressure Principle – Backflow Preventers 2-1/2" and 3"



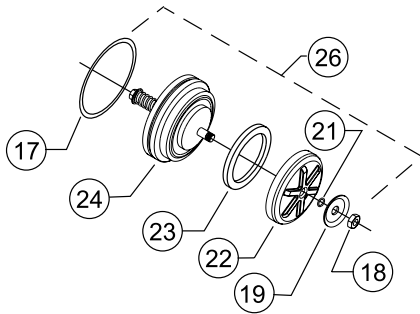
Item Number	Description	2-1/2"	3"
1	GATE VALVE, NRS	212-48	3-48
	GATE VALVE, OS&Y	212-48OSY	3-48OSY
	GATE VALVE, OS&Y (F&G)	212-48OSYGXF	3-48OSYGXF
2	BOLT, FLANGE	558-11D	558-11D
3	NUT, FLANGE	558-9	558-9
4	GASKET, FLANGE	557-13	558-13
5	O-RING, CONTROL UNIT	032N	032N
6	RELIEF VALVE ASSY	3707-CU-XL	3707-CU-XL
7	BOLT, RELIEF VALVE	554-11A	554-11A
8	SEAT RETAINER #2	3507-14G	3507-14G
9	SEAT RETAINER #1	3507-14F	3507-14F
10	COVER	3507-3C	3507-3C
11	COVER RETAINER ASSY	5-23	5-23
12	BULKHEAD FITTING ASSY	BHFICXL-100	BHFICXL-100
13	BALL VALVE	12-850XL	12-850XL
14	COUPLING	12-51	12-51
15	NIPPLE, LONG	558-21B	558-21B
16	PLUG	558-7	558-7
17	O-RING	245N	245N
18	NUT, POPPET RETAINER	3507-9	3507-9
19	HANDLE, #1 POPPET ASSY	3507-14E	3507-14E
20	WASHER	3507-14D	3507-14D
21	O-RING	WK-111N	WK-111N
22	POPPET RETAINER	3507-14	3507-14
23	SEAL RING	3507-12	3507-12
24	SEAT ASSEMBLY, #1 POPPET	3707-180	3707-180
25	SEAT ASSEMBLY, #2 POPPET	3507-180A	3507-180A
26	#1 CHECK ASSEMBLY	3707-300	3707-300
27	#2 CHECK ASSEMBLY	3507-300A	3507-300A
28	BULKHEAD FITTING ASSY	BHFIBXL-100	BHFIBXL-100
29	SENSING TUBE FITTING, CU COVER	5758A-36	5758A-36
30	SENSING TUBE FITTING, BODY	3709-29	3709-29
31	SENSING TUBE	3707-36	3707-36
32	BALL VALVE	12-850MXL	12-850MXL
33	BULKHEAD FITTING, GASKET	BHF1-13	BHF1-13
34	GASKET, COVER RETAINER	5-23-13	5-23-13

### Repair Kit

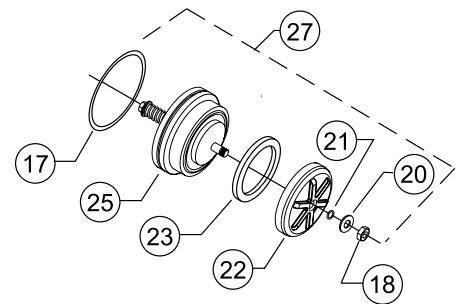
RK212-350		Size 2-1/2, 3"
Part Number	Qty.	Description
3507-12	2	SEAL RING
245N	2	O-RING
WK-111N	2	O-RING

# MODEL 375, 475 and 475V - 2-1/2" and 3"

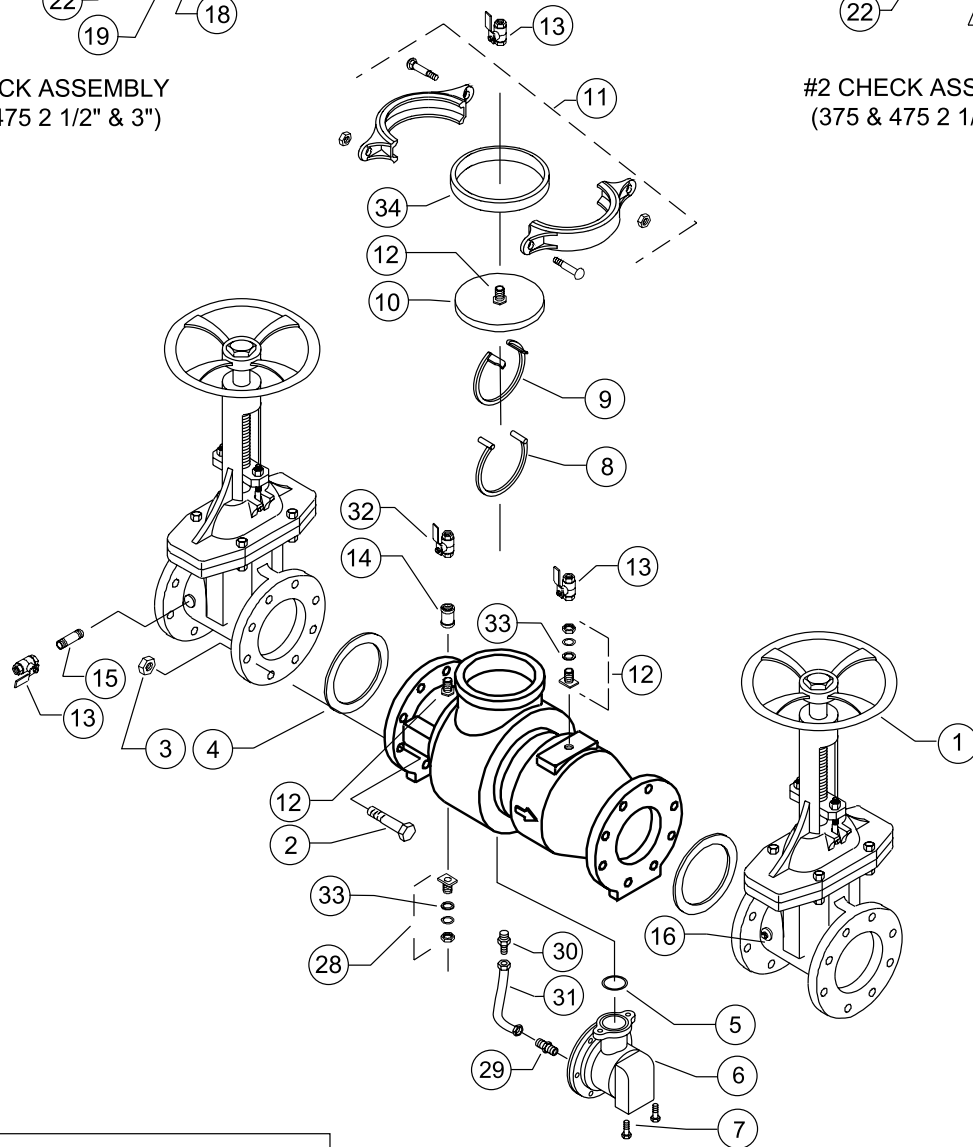
## Parts Drawing



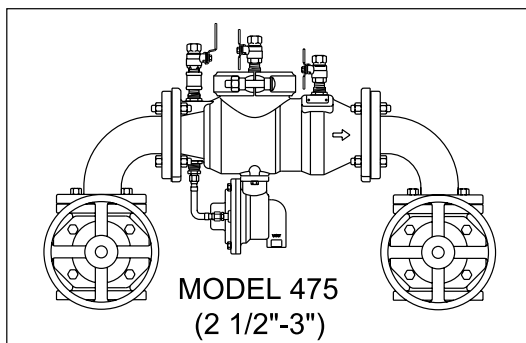
#1 CHECK ASSEMBLY  
(375 & 475 2 1/2" & 3")



#2 CHECK ASSEMBLY  
(375 & 475 2 1/2" & 3")



MODEL 375  
(2 1/2"-3")



# MODEL 375A and 375

## Reduced Pressure Principle -

Backflow Preventers 375A (2-1/2" to 10") and 375 (4" to 10")



Item Number	Description	2-1/2"	3"	4"	6"	8"	10"
1	GATE VALVE, NRS	212-48GXF	3-48GXF	4-48	6-48	8-48	10-48
	GATE VALVE, OS&Y	212-48OSYGXF	3-48OSYGXF	4-48OSY	6-48OSY	8-48OSY	10-48OSY
	GATE VALVE, OS&Y (F&G)	212-48OSYGXF	3-48OSYGXF	4-48OSYGXF	6-48OSYGXF	8-48OSYGXF	10-48OSYGXF
	BUTTERFLY VALVE	212-49GVIC	3-49GVIC	4-49GVIC	6-49GVIC	8-49GVIC	10-49GVIC
2	BOLT, FLANGE	N/A	N/A	559-11	5510-11	9511-11B	9512-11B
3	NUT, FLANGE	N/A	N/A	558-9	5510-9	9511-9	9512-9A
4	GASKET, FLANGE	N/A	N/A	559-13	5510-13	9511-13	9512-13
5	O-RING, CONTROL UNIT	032N	032N	032N	032N	142N	142N
6	RELIEF VALVE ASSY	3707-CU-XL	3707-CU-XL	3707-CU-XL	3707-CU-XL	3711-CU-XL	3711-CU-XL
7	BOLT, RELIEF VALVE	554-11A	554-11A	554-11A	554-11A	957-11	957-11
8	SEAT RETAINER #2	3509-140	3509-140	3509-140	3510-140	3511-14DSS	3511-14DSS
9	SEAT RETAINER #1	3509-14B	3509-14B	3509-14B	3510-14B	3511-9 (NUT)	3511-9 (NUT)
10	COVER	3509-3C	3509-3C	3509-3C	3510-3C	3511-3C	3511-3C
11	COVER RETAINER ASSY	6-23	6-23	6-23	8-23	12-23	12-23
12	BULKHEAD FITTING ASSY	BHF1CXL-100	BHF1CXL-100	BHF1CXL-100	BHF2BXL-100	BHF2BXL-100	BHF2BXL-100
13	BALL VALVE	12-850XL	12-850XL	12-850XL	34-850XL	34-850XL	34-850XL
14	COUPLING	12-51	12-51	12-51	557-51	557-51	557-51
15	NIPPLE, LONG	558-21B	558-21B	558-21B	34X3-21B	34X3-21B	34X3-21B
16	PLUG	558-7	558-7	558-7	5510-7	5510-7	5510-7
17	O-RING	353N	353N	353N	364N	273N	273N
18	BOLT, POPPET RETAINER	558-11E	558-11E	558-11E	5510-11A	3511-11	3511-11
19	HANDLE, #1 POPPET ASSY	3509-6	3509-6	3509-6	3510-6	N/A	N/A
20	WASHER	3509-14C	3509-14C	3509-14C	3510-14C	3510-14C	3510-14C
21	O-RING	WK-109N	WK-109N	WK-109N	204N	204N	204N
22	POPPET RETAINER	3509-14	3509-14	3509-14	3510-14	3511-14	3511-14
23	SEAL RING	3509-12	3509-12	3509-12	3510-12	3511-12	3511-12
24	SEAT ASSEMBLY, #1 POPPET	3709-180	3709-180	3709-180	3710-180	3712-180	3712-180
25	SEAT ASSEMBLY, #2 POPPET	3509-180	3509-180	3509-180	3510-180	3512-180B	3512-180B
26	#1 CHECK ASSEMBLY	3709-300	3709-300	3709-300	3710-300	3712-300	3712-300
27	#2 CHECK ASSEMBLY	3509-300B	3509-300B	3509-300B	3510-300B	3512-300B	3512-300B
28	BULKHEAD FITTING ASSY	BHF1BXL-100	BHF1BXL-100	BHF1BXL-100	BHF1BXL-100	BHF2CXL-100	BHF2CXL-100
29	SENSING TUBE FITTING	5758A-36	5758A-36	5758A-36	5758A-36	5758A-36	5758A-36
30	PITOT TUBE ASSY	3709-360	3709-360	3709-360	3709-360	3711-360	3711-360
31	SENSING TUBE	3709-36	3709-36	3709-36	3710-36	4710-36	4710-36
32	BALL VALVE	12-850MXL	12-850MXL	12-850MXL	34-850XL	34-850XL	34-850XL
33	BULKHEAD FITTING, GASKET	BHF1-13	BHF1-13	BHF1-13	BHF1-13	BHF1-13	BHF1-13
34	LIFTING LUG	N/A	N/A	N/A	9510-24	9510-24	N/A
35	GASKET, COVER RETAINER	6-23-13	6-23-13	6-23-13	8-23-13	12-23-13	12-23-13
36	WASHER	N/A	N/A	N/A	N/A	3511-14E	3511-14E
37	NIPPLE, LONG	N/A	N/A	N/A	5510-21B	5510-21B	5510-21B
38	GROOVED COUPLING	4X212-23	4X3-23	4-23	6-23	8-23	10-23
39	COUPLING GASKET	N/A	N/A	4-23-13	6-23-13	8-23-13	10-23-13

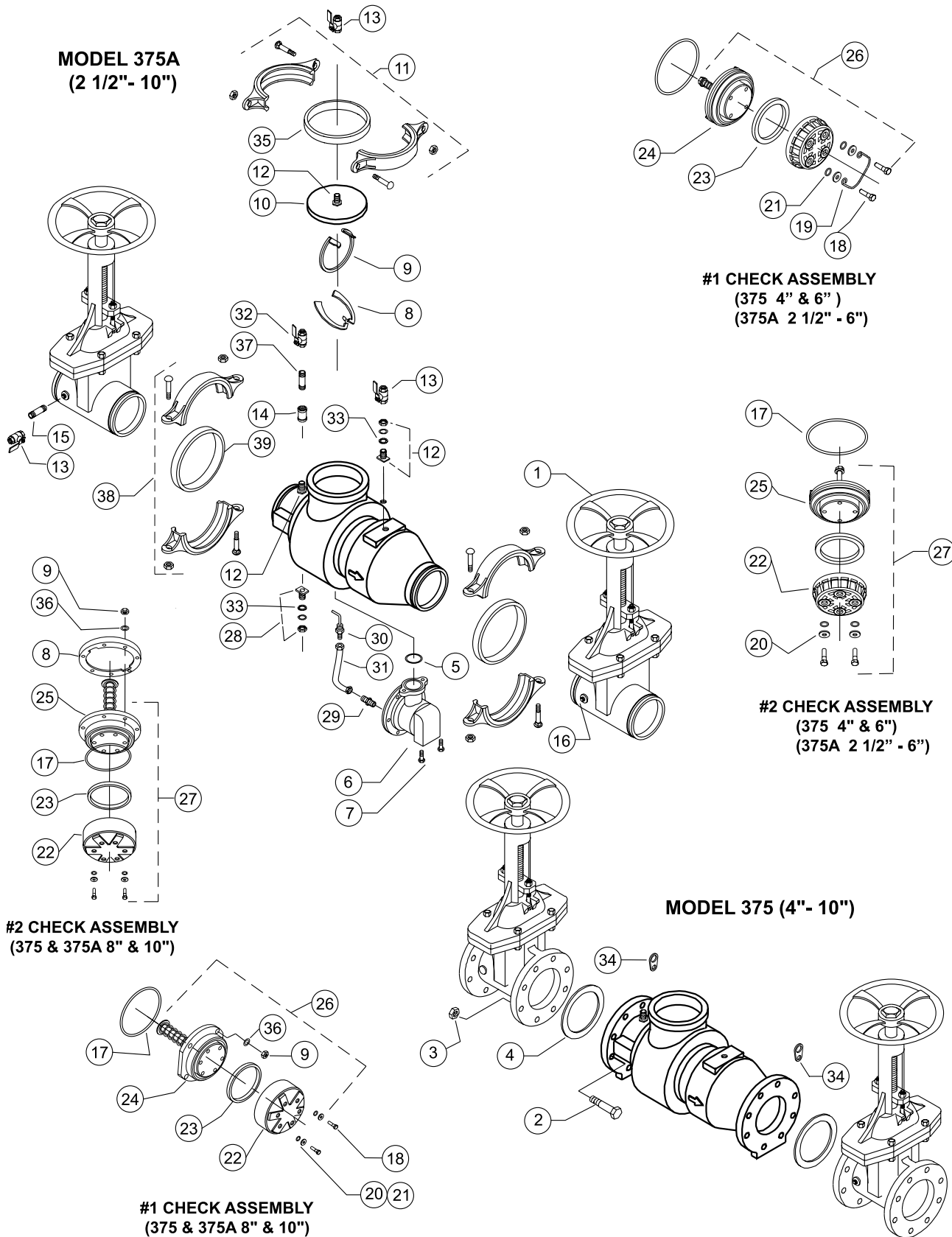
### Repair Kit

RK4-350			Size 2-1/2" - 4"			RK6-350			Size 6"			RK8-350			Size 8", 10"		
Part Number	Qty.	Description	Part Number	Qty.	Description	Part Number	Qty.	Description	Part Number	Qty.	Description	Part Number	Qty.	Description			
3509-12	2	SEAL RING	3510-12	2	SEAL RING	3511-12	2	SEAL RING									
353N	2	O-RING	364N	2	O-RING	273N	2	O-RING									
WK-109N	8	O-RING	204N	8	O-RING	204N	12	O-RING									
351N	2	Not used in 375/375A															

# MODEL 375A - 2-1/2" to 10"

# MODEL 375 - 4" to 10"

## Parts Drawing



# MODEL 375AST

## Stainless Steel Reduced Pressure Principle – Backflow Preventers 375AST (2 1/2" to 10")



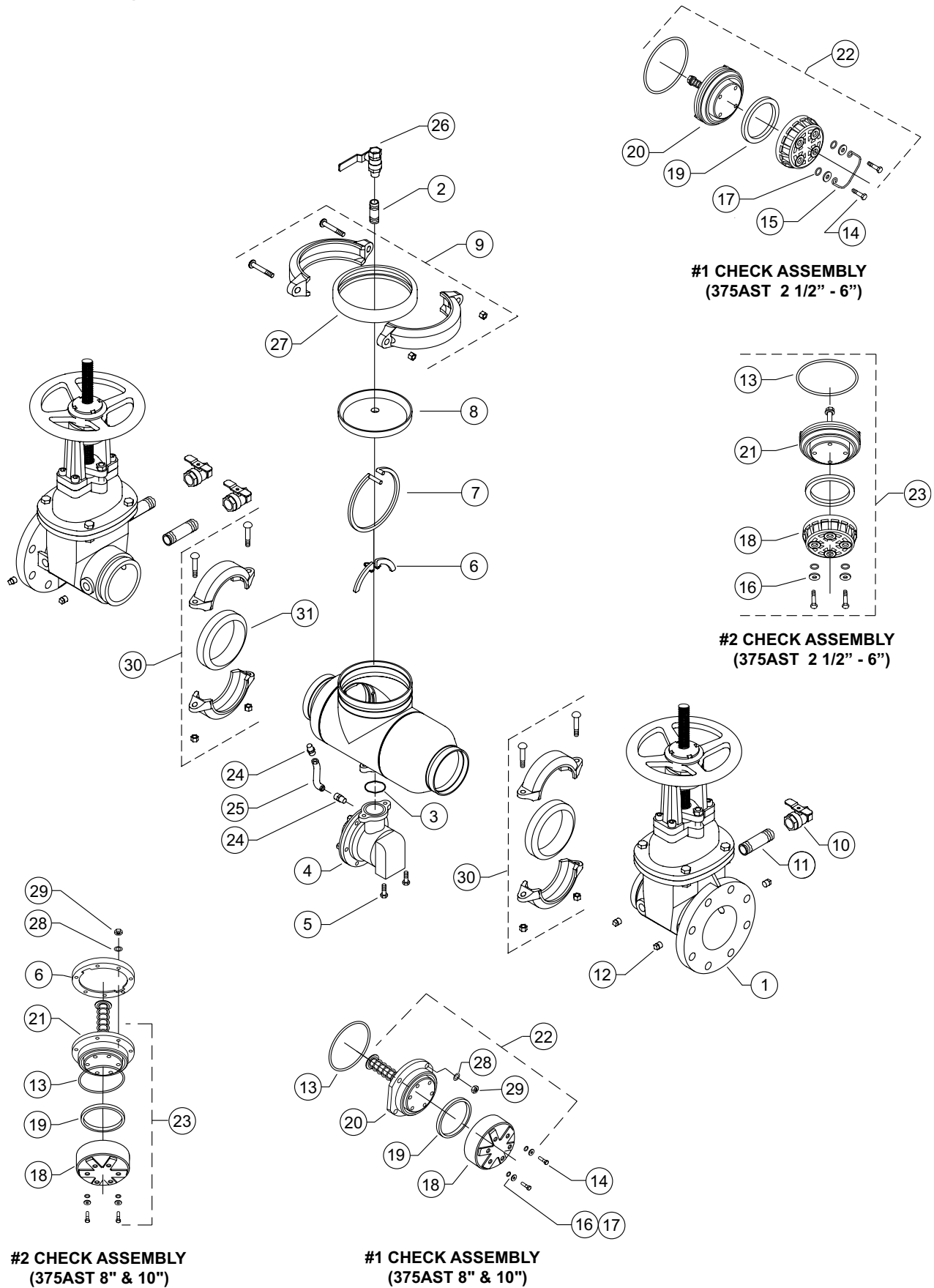
Item Number	Description	2 1/2"	3"	4"	6"	8"	10"
1	GATE VALVE, NRS	212-48GXF	3-48GXF	4-48GXF	6-48GXF	8-48GXF	10-48GXF
	GATE VALVE, OS&Y	212-48OSYGXF	3-48OSYGXF	4-48OSYGXF	6-48OSYGXF	8-48OSYGXF	10-48OSYGXF
	BUTTERFLY VALVE	212-49GVIC	3-49GVIC	4-49GVIC	6-49GVIC	8-49GVIC	10-49GVIC
2	NIPPLE	N/A	N/A	N/A	102-21B	N/A	N/A
3	O-RING, CONTROL UNIT	032N	032N	032N	032N	142N	142N
4	RELIEF VALVE ASSY	3707-CU-XL	3707-CU-XL	3707-CU-XL	3707-CU-XL	3711-CU-XL	3711-CU-XL
5	BOLT, RELIEF VALVE	BR4-11SS	BR4-11SS	BR4-11SS	BR4-11SS	957-11	957-11
6	SEAT RETAINER #2	3509ST-140	3509ST-140	3509ST-140	3510ST-140	3511-14DSS	3511-14DSS
7	SEAT RETAINER #1	3509ST-14B	3509ST-14B	3509ST-14B	3510ST-14B	N/A	N/A
8	COVER	3509ST-3	3509ST-3	3509ST-3	3510ST-3	3511ST-3	3511ST-3
9	COVER RETAINER ASSY	6-23	6-23	6-23	8-23	12-23	12-23
10	BALL VALVE	12-850XL	12-850XL	12-850XL	34-850XL	34-850XL	34-850XL
11	NIPPLE, LONG	12X3-21B	12X3-21B	12X3-21B	34X3-21B	34X3-21B	34X3-21B
12	PLUG	558-7	558-7	558-7	5510-7	5510-7	5510-7
13	O-RING	351N	351N	351N	364N	273N	273N
14	BOLT, POPPET RETAINER	558-11E	558-11E	558-11E	5510-11A	3511-11	3511-11
15	HANDLE, #1 POPPET ASSY	3509-6	3509-6	3509-6	3510-6	N/A	N/A
16	WASHER	3509-14C	3509-14C	3509-14C	3510-14C	3510-14C	3510-14C
17	O-RING	WK-109N	WK-109N	WK-109N	204N	204N	204N
18	POPPET RETAINER	3509ST-14	3509ST-14	3509ST-14	3510ST-14	3511ST-14	3511ST-14
19	SEAL RING	3509-12	3509-12	3509-12	3510-12	3511-12	3511-12
20	SEAT ASSEMBLY, #1 POPPET	3709ST-180	3709ST-180	3709ST-180	3710ST-180	3711ST-180	3711ST-180
21	SEAT ASSEMBLY, #2 POPPET	3507ST-180	3509ST-180	3509ST-180	3510ST-180	3511ST-180B	3512ST-180B
22	#1 CHECK ASSEMBLY	3709ST-300	3709ST-300	3709ST-300	3710ST-300	3711ST-300A	3711ST-300A
23	#2 CHECK ASSEMBLY	3507ST-300B	3509ST-300B	3509ST-300B	3510ST-300B	3511ST-300B	3512ST-300B
24	SENSING TUBE FITTING	5758A-36	5758A-36	5758A-36	5758A-36	5758A-36	5758A-36
25	SENSING TUBE	3707-36	3707-36	3707-36	3709-36	3710-36	3710-36
26	BALL VALVE	12-850MXL	12-850MXL	12-850MXL	34-850XL	34-850XL	34-850XL
27	GASKET, COVER RETAINER	6-23-13	6-23-13	6-23-13	8-23-13	12-23-13	12-23-13
28	WASHER	N/A	N/A	N/A	N/A	3511-14E	3511-14E
29	NUT	N/A	N/A	N/A	N/A	3511-9	3511-9
30	GROOVED COUPLING	212-23	3-23	4-23	6-23	8-23	10-23
31	COUPLING GASKET	212-23-13	3-23-13	4-23-13	6-23-13	8-23-13	10-23-13

### Repair Kit

RK4-350			RK6-350			RK8-350		
Size 2-1/2" - 4"			Size 6"			Size 8", 10"		
Part Number	Qty.	Description	Part Number	Qty.	Description	Part Number	Qty.	Description
3509-12	2	SEAL RING	3510-12	2	SEAL RING	3511-12	2	SEAL RING
351N	2	O-RING	364N	2	O-RING	273N	2	O-RING
WK-109N	8	O-RING	204N	8	O-RING	204N	12	O-RING
353N	2	Not used in 350AST						

# MODEL 375AST - 2-1/2" to 10"

## Parts Drawing



# MODEL 475

## Reduced Pressure Principle – Backflow Preventers 4" to 10"



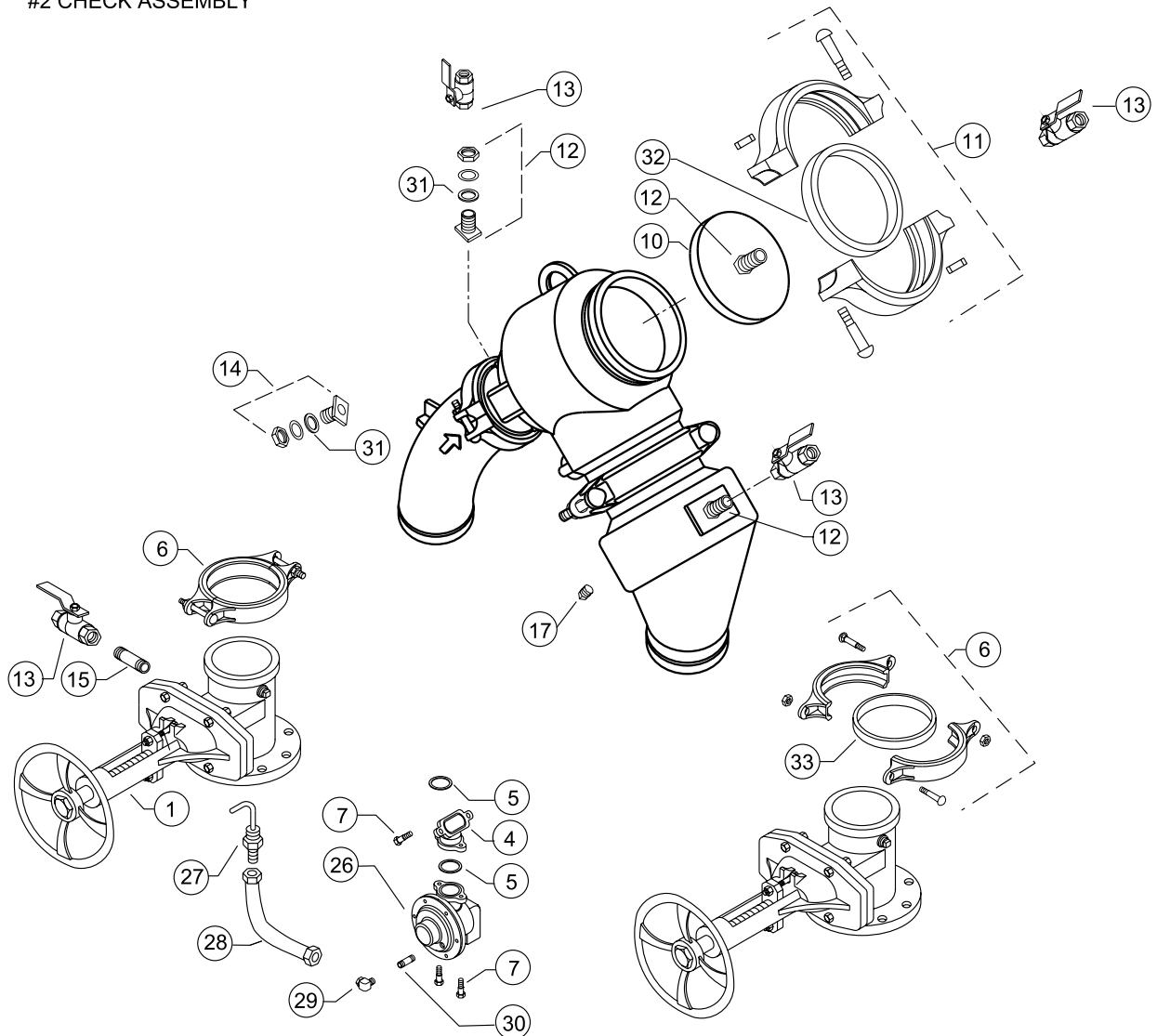
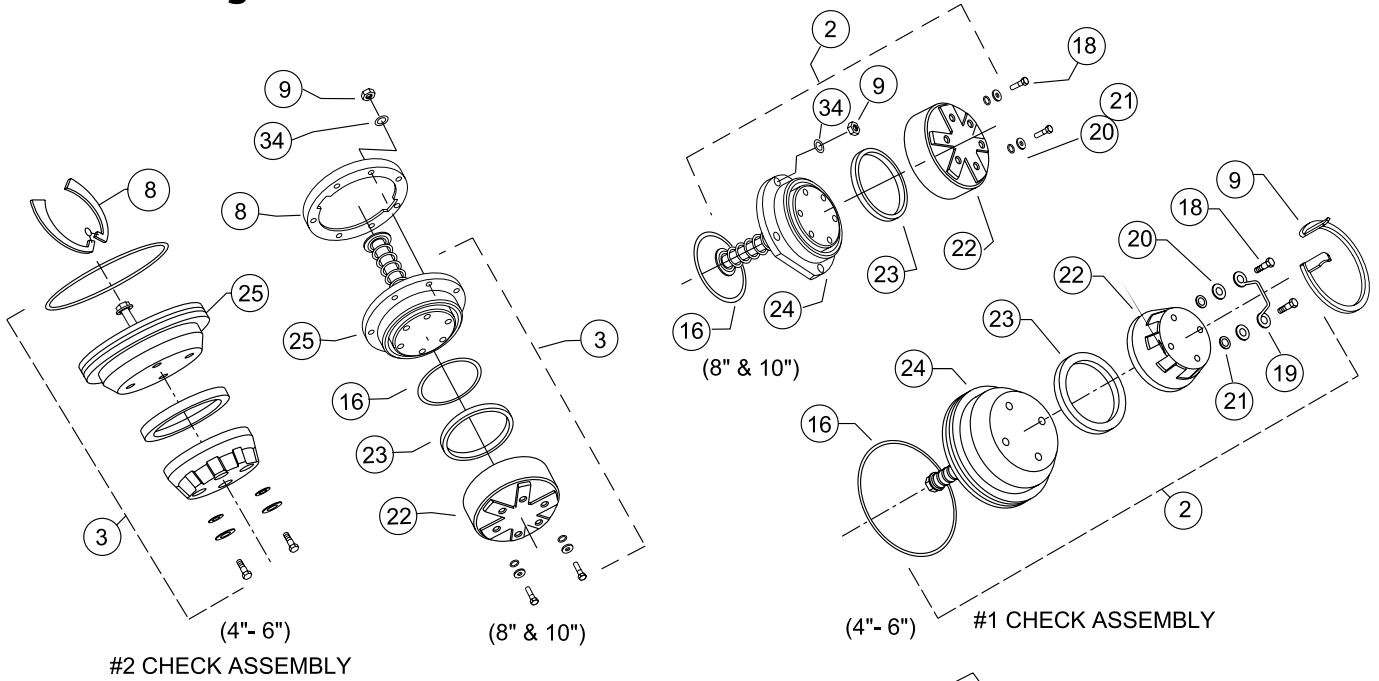
Item Number	Description	4"	6"	8"	10"
1	GATE VALVE, NRS (GXF)	4-48GXF	6-48GXF	8-48GXF	10-48GXF
	GATE VALVE, OS&Y (GXF)	4-48OSYGXF	6-48OSYGXF	8-48OSYGXF	10-48OSYGXF
	GATE VALVE, OS&Y (G&G)	4-48OSYG	6-48OSYG	8-48OSYG	10-48OSYG
	GATE VALVE, NRS (GXG)	4-48G	6-48G	8-48G	10-48G
	BUTTERFLY VALVE	4-49GVIC	6-49GVIC	8-49GVIC	10-49GVIC
2	#1 CHECK ASSEMBLY	3709-300	3710-300	3712-300	3712-300
3	#2 CHECK ASSEMBLY	3509-300B	3510-300B	3512-300B	3512-300B
4	RV ELBOW	4707-52XL-010F	4707-52XL-010F	4711-52XL-010F	4711-52XL-010F
5	O-RING, ELBOW	032N	032N	142N	142N
6	GROOVED COUPLING	4-23	6-23	8-23	10-23
7	BOLT	554-11A	554-11A	957-11	957-11
8	SEAT RETAINER ASSEMBLY #2	3509-140	3510-140	3511-14DSS	3511-14DSS
9	SEAT RETAINER #1	3509-14B	3510-14B	3511-9 (NUT)	3511-9 (NUT)
10	COVER	3509-3C	3510-3C	3511-3C	3511-3C
11	COVER RETAINER ASSEMBLY	6-23	8-23	12-23	12-23
12	BULKHEAD FITTING ASSEMBLY	BHF1CXL-100	BHF2BXL-100	BHF2BXL-100	BHF2BXL-100
13	BALL VALVE	12-850XL	34-850XL	34-850XL	34-850XL
14	BULKHEAD FITTING ASSEMBLY	BHF1BXL-100	BHF1BXL-100	BHF2CXL-100	BHF2CXL-100
15	NIPPLE, LONG	12X2-21B	34X3-21B	34X3-21B	34X3-21B
16	O-RING, SEAT ASSEMBLY	353N	364N	273N	273N
17	PLUG/CAP	558-7	34-3B	558-7	558-7
18	BOLT, POPPET RETAINER	558-11E	5510-11A	3511-11	3511-11
19	HANDLE, #1 POPPET ASSY	3509-6	3510-6	N/A	N/A
20	WASHER	3509-14C	3510-14C	3510-14C	3510-14C
21	O-RING	WK-109N	204N	204N	204N
22	POPPET RETAINER	3509-14	3510-14	3511-14	3511-14
23	SEAL RING	3509-12	3510-12	3511-12	3511-12
24	SEAT ASSEMBLY, #1 POPPET	3709-180	3710-180	3712-180	3712-180
25	SEAT ASSEMBLY, #2 POPPET	3509-180	3510-180	3512-180B	3512-180B
26	RELIEF VALVE ASSEMBLY	3707-CU-XL	3707-CU-XL	3711-CU-XL	3711-CU-XL
27	PITOT TUBE ASSEMBLY	57510-360	57510-360	57510-360	57510-360
28	SENSING TUBE	3710-36	3710-36	4710-36	4710-36
29	ELBOW	3707-38B	3707-38B	3707-38B	3707-38B
30	NIPPLE	14X1.5-21B	14X1.5-21B	14X1.5-21B	14X1.5-21B
31	BULKHEAD FITTING, GASKET	BHF1-13	BHF1-13	BHF1-13	BHF1-13
32	GASKET, COVER RETAINER	6-23-13	8-23-13	12-23-13	12-23-13
33	GASKET, GROOVED COUPLING	4-23-13	6-23-13	8-23-13	10-23-13
34	WASHER	N/A	N/A	3511-14E	3511-14E

### Repair Kit

RK4-350			RK6-350			RK8-350		
Size 4"			Size 6"			Size 8", 10"		
Part Number	Qty.	Description	Part Number	Qty.	Description	Part Number	Qty.	Description
3509-12	2	SEAL RING	3510-12	2	SEAL RING	3511-12	2	SEAL RING
353N	2	O-RING	364N	2	O-RING	273N	2	O-RING
WK-109N	8	O-RING	204N	8	O-RING	204N	12	O-RING
351N	2	Not used in 475						

# MODEL 475 - 4" to 10"

## Parts Drawing



# MODEL 475V

## Reduced Pressure Principle – Backflow Preventers 4" to 10"



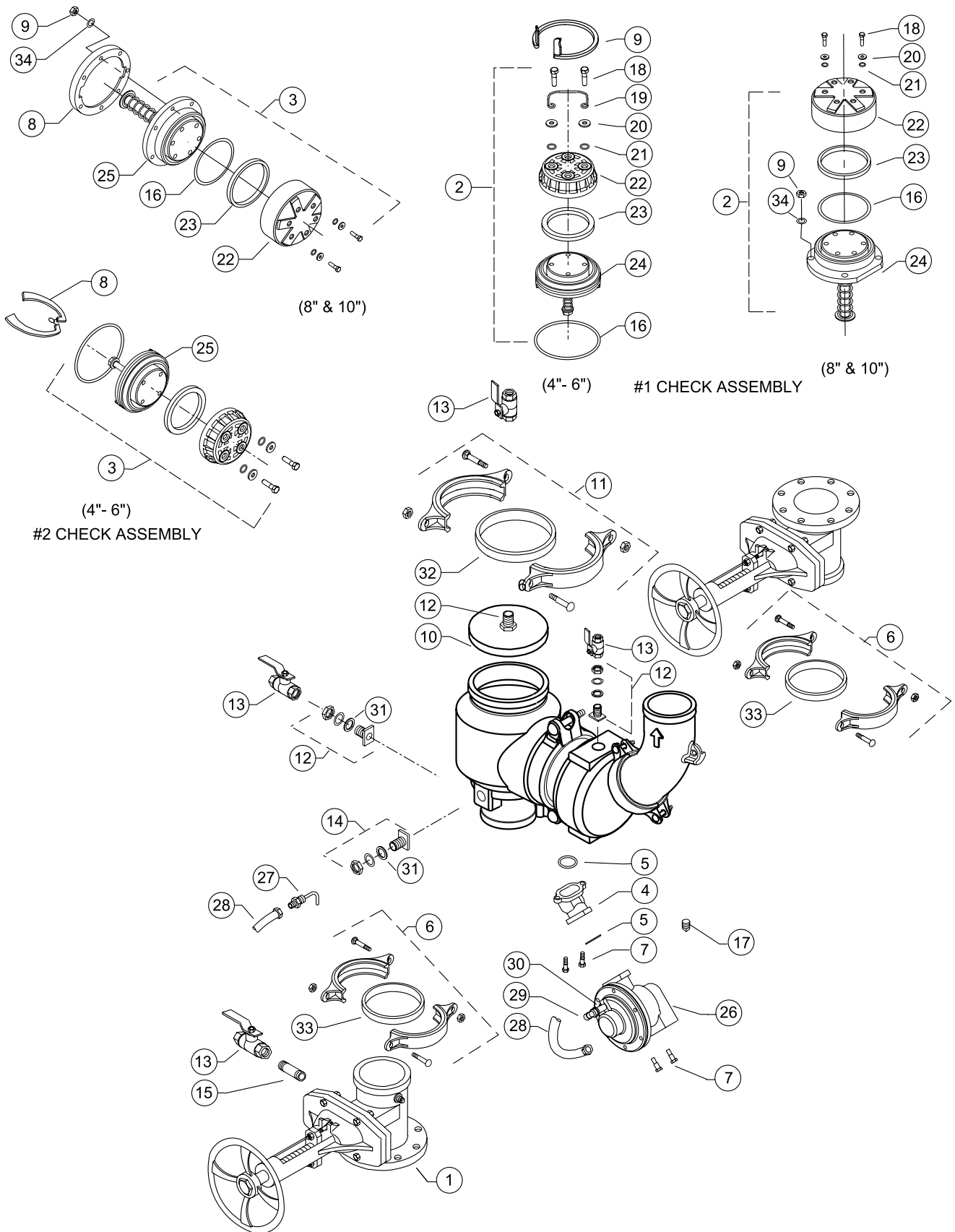
Item Number	Description	4"	6"	8"	10"
1	GATE VALVE, NRS (GXF)	4-48GXF	6-48GXF	8-48GXF	10-48GXF
	GATE VALVE, OS&Y (GXF)	4-48OSYGXF	6-48OSYGXF	8-48OSYGXF	10-48OSYGXF
	GATE VALVE, OS&Y (G&G)	4-48OSYG	6-48OSYG	8-48OSYG	10-48OSYG
	GATE VALVE, NRS (GXG)	4-48G	6-48G	8-48G	10-48G
	BUTTERFLY VALVE	4-49GVIC	6-49GVIC	8-49GVIC	10-49GVIC
2	#1 CHECK ASSEMBLY	3709-300	3710-300	3712-300	3712-300
3	#2 CHECK ASSEMBLY	3509-300B	3510-300B	3512-300B	3512-300B
4	RV ELBOW	4707-52XL-010F	4707-52XL-010F	4711-52XL-010F	4711-52XL-010F
5	O-RING, ELBOW	032N	032N	142N	142N
6	GROOVED COUPLING	4-23	6-23	8-23	10-23
7	BOLT	554-11A	554-11A	957-11	957-11
8	SEAT RETAINER ASSEMBLY #2	3509-140	3510-140	3511-14DSS	3511-14DSS
9	SEAT RETAINER #1	3509-14B	3510-14B	3511-9 (NUT)	3511-9 (NUT)
10	COVER	3509-3C	3510-3C	3511-3C	3511-3C
11	COVER RETAINER ASSEMBLY	6-23	8-23	12-23	12-23
12	BULKHEAD FITTING ASSEMBLY	BHF1CXL-100	BHF2BXL-100	BHF2BXL-100	BHF2BXL-100
13	BALL VALVE	12-850XL	34-850XL	34-850XL	34-850XL
14	BULKHEAD FITTING ASSEMBLY	BHF1BXL-100	BHF1BXL-100	BHF2CXL-100	BHF2CXL-100
15	NIPPLE, LONG	12X2-21B	34X3-21B	34X3-21B	34X3-21B
16	O-RING, SEAT ASSEMBLY	353N	364N	273N	273N
17	PLUG/CAP	558-7	34-3B	558-7	558-7
18	BOLT, POPPET RETAINER	558-11E	5510-11A	3511-11	3511-11
19	HANDLE, #1 POPPET ASSY	3509-6	3510-6	N/A	N/A
20	WASHER	3509-14C	3510-14C	3510-14C	3510-14C
21	O-RING	WK-109N	204N	204N	204N
22	POPPET RETAINER	3509-14	3510-14	3511-14	3511-14
23	SEAL RING	3509-12	3510-12	3511-12	3511-12
24	SEAT ASSEMBLY, #1 POPPET	3709-180	3710-180	3712-180	3712-180
25	SEAT ASSEMBLY, #2 POPPET	3509-180	3510-180	3512-180B	3512-180B
26	RELIEF VALVE ASSEMBLY	3707-CU-XL	3707-CU-XL	3711-CU-XL	3711-CU-XL
27	PITOT TUBE ASSEMBLY	57510-360	57510-360	57510-360	57510-360
28	SENSING TUBE	3710-36	3710-36	4710-36	4710-36
29	ELBOW	3707-38B	3707-38B	3707-38B	3707-38B
30	NIPPLE	14X1.5-21B	14X1.5-21B	14X1.5-21B	14X1.5-21B
31	BULKHEAD FITTING, GASKET	BHF1-13	BHF1-13	BHF1-13	BHF1-13
32	GASKET, COVER RETAINER	6-23-13	8-23-13	12-23-13	12-23-13
33	GASKET, GROOVED COUPLING	4-23-13	6-23-13	8-23-13	10-23-13
34	WASHER	N/A	N/A	3511-14E	3511-14E

### Repair Kit

RK4-350			RK6-350			RK8-350		
Size 4"			Size 6"			Size 8", 10"		
Part Number	Qty.	Description	Part Number	Qty.	Description	Part Number	Qty.	Description
3509-12	2	SEAL RING	3510-12	2	SEAL RING	3511-12	2	SEAL RING
353N	2	O-RING	364N	2	O-RING	273N	2	O-RING
WK-109N	8	O-RING	204N	8	O-RING	204N	12	O-RING
351N	2	Not used in 475V						

# MODEL 475V - 4" to 10"

## Parts Drawing



# MODEL 975

## Reduced Pressure Principle – Backflow Preventers 2-1/2" to 10"



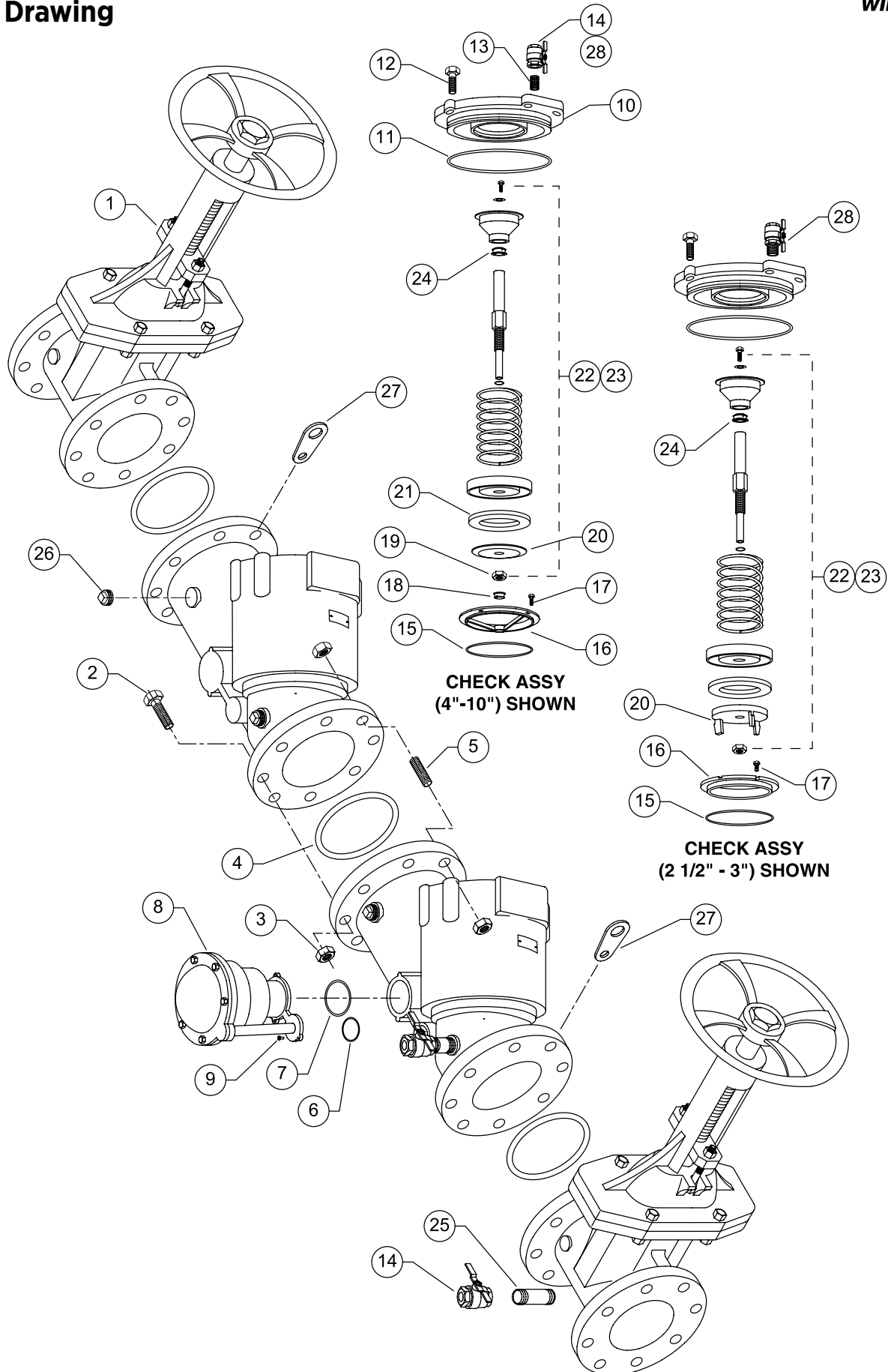
Item Number	Description	2-1/2"	3"	4"	6"	8"	10"
1	GATE VALVE, TAPPED	212-48	3-48	4-48	6-48	8-48	10-48
	GATE VALVE, TAPPED, OS&Y	212-48OSY	3-48OSY	4-48OSY	6-48OSY	8-48OSY	10-48OSY
2	BOLT, FLANGE	558-11D	558-11D	559-11	5510-11	9511-11B	9512-11B
3	NUT, FLANGE	558-9	558-9	558-9	5510-9	5510-9	9512-9A
4	GASKET, FLANGE	557-13	558-13	559-13	5510-13	9511-13	9512-13
5	STUD, FLANGE	959-11A	959-11A	959-11A	9511-11A	9511-11A	N/A
6	O-RING, SMALL	022N	022N	022N	022N	022N	022N
7	O-RING, LARGE	033N	033N	033N	033N	036N	036N
8	RELIEF VALVE	977-CU	977-CU	977-CU	977-CU	9711-CU	9711-CU
9	BOLT, RELIEF VALVE	554-11A	554-11A	554-11A	554-11A	554-11A	554-11A
10	COVER	957-3C	957-3C	959-3C	9510-3C	9511-3C	9512-3C
11	O-RING, COVER	248N	248N	264N	374N	452N	457N
12	BOLT, COVER	957-11	957-11	959-11	9510-11	9511-11	9512-11
13	NIPPLE, SHORT	N/A	N/A	N/A	102-21B	102-21B	102-21B
14	BALL VALVE	12-850XL	12-850XL	12-850XL	34-850XL	34-850XL	34-850XL
15	O-RING, SEAT	238N	238N	252N	366N	374N	379N
16	SEAT	957-18-010F	957-18-010F	959-18-010F	9510-18-010F	9511-18-010F	9512-18-010F
17	BOLT, SEAT	5752-11	5752-11	959-11B	959-11B	959-11B	959-11B
18	LOWER STEM GUIDE	N/A	N/A	959-2	957-2	9511-2	9512-2
19	NUT, STEM	957-9	957-9	959-9	9511-9	9511-9	9512-9
20	RETAINING PLATE	957-31-010F	957-31-010F	959-14-010F	9510-14-010F	9511-14-010F	9512-14-010F
21	SEAL RING	558-12	558-12	959-12	9510-12	9511-12	9512-12
22	NO.1 POPPET ASSEMBLY	977-300	977-300	979-300	9710-300	9711-300	9712-300
23	NO.2 POPPET ASSEMBLY	957-300	957-300	959-300	9510-300	9511-300	9512-300
24	UPPER STEM GUIDE	957-2	957-2	957-2	9510-2	9511-2A	9512-2A
25	NIPPLE, LONG	558-21B	558-21B	558-21B	5510-21B	5510-21B	5510-21B
26	PLUG	558-7	558-7	558-7	5510-7	5510-7	5510-7
27	LIFTING LUG	N/A	N/A	N/A	9510-24	9510-24	N/A
28	BALL VALVE	12-850MXL	12-850MXL	12-850MXL	34-850XL	34-850XL	34-850XL

### Repair Kit

RK212-950			Size 2-1/2" & 3"			RK6-950			Size 6"			RK10-950			REPAIR KIT MODELS 950/975, 10"		
Part Number	Qty.	Description	Part Number	Qty.	Description	Part Number	Qty.	Description	Part Number	Qty.	Description	Part Number	Qty.	Description	Part Number	Qty.	Description
558-12	2	SEAL RING	9510-12	2	SEAL RING	9512-12	2	SEAL RING	9512-12	2	SEAL RING	9512-12	2	SEAL RING	9512-12	2	SEAL RING
248N	2	O-RING, COVER	374N	2	O-RING, COVER	457N	2	O-RING, COVER	457N	2	O-RING, COVER	457N	2	O-RING, COVER	457N	2	O-RING, COVER
RK4-950			Size 4"			RK8-950			Size 8"								
Part Number	Qty.	Description	Part Number	Qty.	Description	Part Number	Qty.	Description	Part Number	Qty.	Description						
959-12	2	SEAL RING	9511-12	2	SEAL RING	9511-12	2	SEAL RING	9511-12	2	SEAL RING						
264N	2	O-RING, COVER	452N	2	O-RING, COVER	452N	2	O-RING, COVER	452N	2	O-RING, COVER						

# MODEL 975 - 2-1/2" to 10"

## Parts Drawing



# MODEL 375, 375A, 375AST, 475 and 475V

## Relief Valve - 2-1/2" to 10"



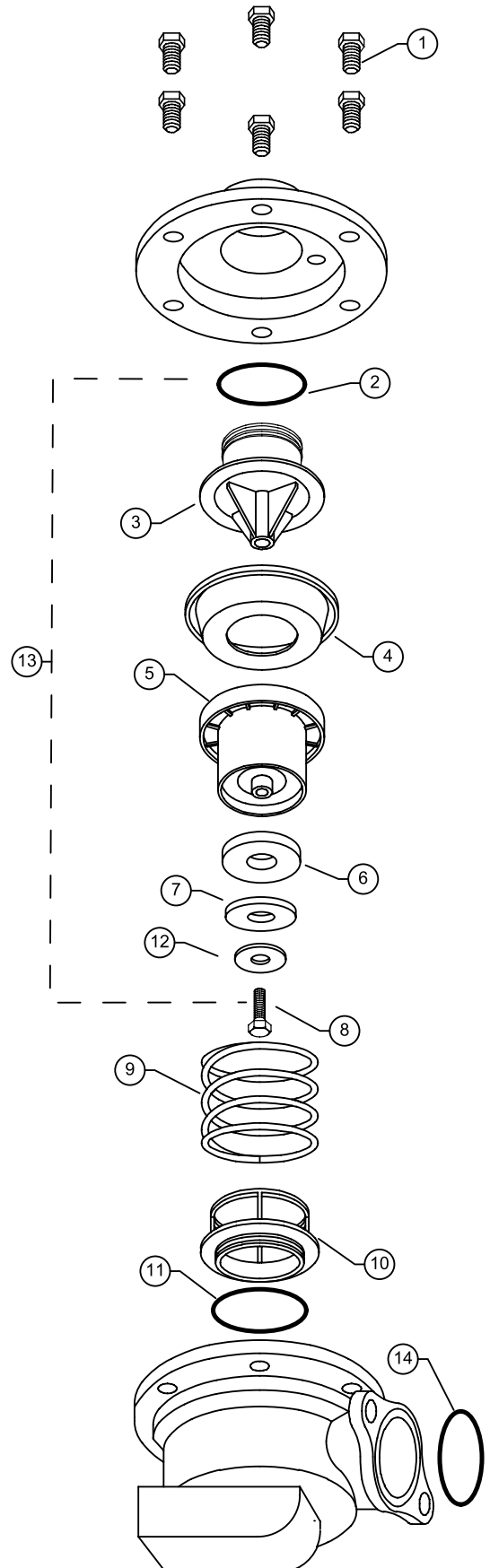
RELIEF VALVE COMPLETE			3707-CU-XL		3711-CU-XL	
Item Number	Description	Qty.	2-1/2"-6"	Qty.	8" & 10"	
1	BOLT, COVER	6	554-11A	8	957-11	
2	O-RING	1	222N	1	227N	
3	UPPER PLUNGER	1	3707-34	1	3711-34	
4	DIAPHRAGM	1	3707-43	1	3711-43	
5	LOWER PLUNGER	1	3707-34A	1	3711-34A	
6	SEAL RING	1	3707-12	1	3711-12	
7	SEAL RETAINER	1	3707-14	1	3711-14	
8	SCREW	1	558-11E	1	558-11E	
9	CU SPRING	1	3707-33A	1	3711A-33	
10	CU SEAT	1	3707-18	1	3711-18	
11	O-RING	1	032N	1	146N	
12	WASHER	1	N/A	1	3707-14	
13	STEM ASSY.	1	3707-50	1	3711-50	
14	O-RING	1	032N	1	142N	

### Repair Kit, Rubber

Item Number	Description	Qty.	RK212-375R Size 2-1/2" - 6"		RK8-375R Size 8" & 10"	
			Part Number	Part Number	Part Number	Part Number
6	SEAL RING	1	3707-12	3711-12		
4	DIAPHRAGM	1	3707-43	3711-43		
2	O-RING	1	222N	227N		
11	O-RING	1	032N	146N		
14	O-RING	1	032N	142N		

### Repair Kit, Complete

Item Number	Description	Qty.	RK212-375 Size 2-1/2" - 6"		RK8-375 Size 8" & 10"	
			Part Number	Part Number	Part Number	Part Number
N/A	REPAIR KIT, RUBBER	1	RK212-375R	RK8-375R		
9	SPRING	1	3707-33A	3711A-33		



# MODEL 975

## Relief Valve – 2-1/2" to 10"



### RELIEF VALVE COMPLETE

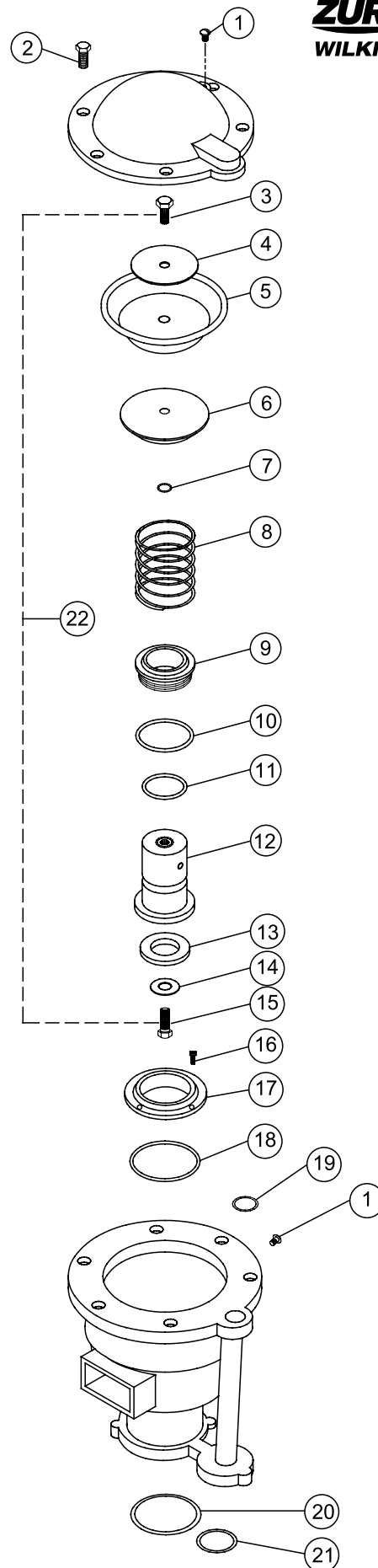
Item Number	Description	Qty.	RELIEF VALVE COMPLETE	
			977-CU	9711-CU
			2-1/2"-6"	8" & 10"
1	BLEED SCREW	2	552-11A	552-11A
2	BOLT, COVER	6	5752-11	5752-11
3	BOLT	1	554-11A	554-11A
4	WASHER, DIAPHRAGM	1	977-80	977-80
5	DIAPHRAGM	1	5758-43	5758-43
6	SPRING RETAINER	1	977A-80-010F	9711A-80-010F
7	O-RING, SPRING RETAINER	1	113N	113N
8	SPRING	1	977A-33	9711-33A
9	STEM GUIDE	1	977-2	9711-2
10	O-RING, STEM GUIDE	1	230N	230N
11	O-RING, STEM	1	220N	327E-60
12	STEM	1	977-5	9711-5
13	SEAL RING	1	5758-12	9711-12
14	SEAL RETAINER	1	977-14	9711-14
15	BOLT, SENSING	1	977-11	977-11
16	BOLT, SEAT	3	5752-11A	N/A
17	SEAT	1	977-18	9711-18
18	O-RING, SEAT	1	031N	036N
19	O-RING, SENSING LINE	1	WK-018N	WK-018N
20	O-RING, LARGE	1	033N	036N
21	O-RING, SMALL	1	022N	022N
22	RELIEF VALVE STEM ASSY.	1	977-50	9711-50

### Repair Kit, Rubber

Item Number	Description	Qty.	Repair Kit, Rubber	
			RK212-975R 2-1/2"-6"	RK8-975R 8" & 10"
			Part Number	Part Number
5	DIAPHRAGM	1	5758-43	5758-43
7	O-RING, SPRING RETAINER	1	113N	113N
10	O-RING, STEM GUIDE	1	230N	230N
11	O-RING, STEM	1	220N	327E-60
13	SEAL RING	1	5758-12	9711-12
19	O-RING, SENSING LINE	1	WK-018N	WK-018N
20	O-RING, LARGE	1	033N	036N
21	O-RING, SMALL	1	022N	022N

### Repair Kit, Complete

Item Number	Description	Qty.	Repair Kit, Complete	
			RK212-975 2 1/2"-6"	RK8-975 8" & 10"
			Part Number	Part Number
N/A	REPAIR KIT, RUBBER	1	RK212-975R	RK8-975R
8	SPRING	1	977A-33	9711-33A



# MODELS 350DA, 350ADA, 350ASTDA, 450DA, 375DA, 375ADA, 375ASTDA, 475DA, 475DAV

## Double Check/ Reduced Pressure Principle – Detector Assemblies 2-1/2" to 12"



### Repair Kit, Check

RK4-350ADA		Size 2-1/2" & 3"
Includes	Description	
RK34-950XLR	950/975, 3/4"	
RK4-350	350A/375A, 2-1/2" & 3"	

RK212-350DA		350DA, 2-1/2" & 3"
Includes	Description	
RK34-950XLR	950/975, 3/4"	
RK212-350	350/375, 2-1/2" & 3"	

RK4-350DA		DA, 4"
Includes	Description	
RK34-950XLR	950/975, 3/4"	
RK4-350	350(A)/375(A), 4"	

RK6-350DA		DA, 6"
Includes	Description	
RK34-950XLR	950/975, 3/4"	
RK6-350	350(A)/375(A), 6"	

RK8-350DA		DA, 8", 10" & 12"
Includes	Description	
RK34-950XLR	950/975, 3/4"	
RK8-350	350(A)/375(A), 8" - 12"	

### Repair Kit, Check & Relief

RK4-375ADAC		Size 2-1/2" & 3"
Includes	Description	
RK34-975XLR	950/975, 3/4"	
RK4-350	350A/375A, 2-1/2" & 3"	
RK212-375R	375 REL. VALVE 2-1/2" & 3"	

RK212-375DAC		375DA, 2 1/2" & 3"
Includes	Description	
RK34-975XLR	950/975, 3/4"	
RK212-350	350/375, 2 1/2" & 3"	
RK212-375R	375 REL. VALVE 2 1/2" & 3"	

RK4-375DAC		DA, 4"
Includes	Description	
RK34-975XLR	975, 3/4"	
RK4-350	350(A)/375(A), 4"	
RK212-375R	375(A) Relief Valve, 4"	

RK6-375DAC		DA, 6"
Includes	Description	
RK34-975XLR	975, 3/4"	
RK6-350	350(A)/375(A), 6"	
RK212-375R	375(A) Relief Valve, 6"	

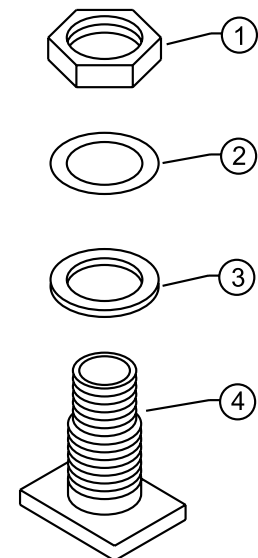
RK8-375DAC		DA, 8" & 10"
Includes	Description	
RK34-975XLR	975, 3/4"	
RK8-350	350(A)/375(A), 8" & 10"	
RK8-375R	375(A) Relief Valve, 8" & 10"	

### #2 Check Assemblies for Detector Assemblies

Size	Model	#2 Check Assy	Model	#2 Check Assy
2 1/2" & 3"	350DA / 375DA	3507DA-300	350ADA/375ADA	3509-300B
2 1/2"	350ASTDA / 375ASTDA	3507STDA-300B		
3" & 4"	350ASTDA / 375ASTDA	3509STDA-300B		
4"	350DA(A) / 375DA(A)	3509-300B	450DA/475DA/475DAV	3509-300B
6"	350ASTDA / 375ASTDA	3510STDA-300B		
6"	350DA(A) / 375DA(A)	3510-300B	450DA/475DA/475DAV	3510-300B
8"	350DA, 350ADA	3512DA-300	450DA/475DA/475DAV	4512DA-300
8"	350ASTDA / 375ASTDA	3511STDA-300B	375DA(A)	4512DA-300
10"	350DA	3512DA-300	450DA/475DA/475DAV	4512DA-300
10"			350ADA/375DA(A)	4512DA-300
10"	350ASTDA / 375ASTDA	3511STDA-300B		
12"	350DA (#1 CHECK)	3513DA-300A	350DA	3513DA-300B

### Bulkhead Fittings

Item Number	Description	BHF1BXL-100	BHF1CXL-100	BHF2BXL-100	BHF2CXL-100
1	NUT	BHF1-9-010F	BHF1-9-010F	BHF2-9-010F	BHF2-9-010F
2	WASHER	BHF1-14	BHF1-14	BHF2-14	BHF2-14
3	GASKET	BHF1-13	BHF1-13	BHF1-13	BHF1-13
4	FITTING	BHF1-19BXL-010F	BHF1-19CXL-010F	BHF2-19BXL-010F	BHF2-19CXL-010F



# MODEL 950DA

## Double Check Detector Assemblies – 2 1/2" to 10"

### Repair Kit, Rubber

<b>RK212-950DA</b>	<b>Size 2-1/2" &amp; 3"</b>
<b>Includes</b>	<b>Description</b>
RK34-950XLRPK	950/975, 3/4"
RK212-950	2 1/2" & 3"
<b>RK4-950DA</b>	<b>Size 4"</b>
<b>Includes</b>	<b>Description</b>
RK34-950XLRPK	950/975, 3/4"
RK4-950	950/975, 4"
<b>RK4-950DA</b>	<b>Size 4"</b>
<b>Includes</b>	<b>Description</b>
RK34-950XLRPK	950/975, 3/4"
RK4-950	950/975, 4"
<b>RK6-950DA</b>	<b>Size 6"</b>
<b>Includes</b>	<b>Description</b>
RK34-950XLRPK	950/975, 3/4"
RK6-950	950/975, 6"

<b>RK8-950DA</b>	<b>Size 8"</b>
<b>Includes</b>	<b>Description</b>
RK34-950XLRPK	950/975, 3/4"
RK8-950	950/975, 8"
<b>RK10-950DA</b>	<b>Size 10"</b>
<b>Includes</b>	<b>Description</b>
RK34-950XLRPK	950/975, 3/4"
RK10-950	950/975, 10"
<b>RK10-950DA</b>	<b>Size 10"</b>
<b>Includes</b>	<b>Description</b>
RK34-950XLRPK	950/975, 3/4"
RK10-950	950/975, 10"

# MODEL 975DA

## Reduced Pressure Detector Assemblies – 2 1/2" to 10"

### Repair Kit, Checks

<b>RK212-975DA</b>	<b>Size 2-1/2" &amp; 3"</b>
<b>Includes</b>	<b>Description</b>
RK34-950R	950/975, 3/4"
RK212-950	950/975, 2-1/2" & 3"
<b>RK4-975DA</b>	<b>Size 4"</b>
<b>Includes</b>	<b>Description</b>
RK34-950R	950/975, 3/4"
RK4-950	950/975, 4"
<b>RK6-975DA</b>	<b>Size 6"</b>
<b>Includes</b>	<b>Description</b>
RK34-950R	950/975, 3/4"
RK6-950	950/975, 6"
<b>RK8-975DA</b>	<b>Size 8"</b>
<b>Includes</b>	<b>Description</b>
RK34-950R	950/975, 3/4"
RK8-950	950/975, 8"
<b>RK10-975DA</b>	<b>Size 10"</b>
<b>Includes</b>	<b>Description</b>
RK34-950R	950/975, 3/4"
RK10-950	950/975, 10"

<b>RK212-975DAC</b>	<b>Size 2-1/2" &amp; 3"</b>
<b>Includes</b>	<b>Description</b>
RK34-975R	975, 3/4"
RK212-950	950/975, 2-1/2" & 3"
RK212-975R	975 RELIEF VALVE 2-1/2" & 3"
<b>RK4-975DAC</b>	<b>Size 4"</b>
<b>Includes</b>	<b>Description</b>
RK34-975R	975, 3/4"
RK4-950	950/975, 4"
RK212-975R	975 RELIEF VALVE 4"
<b>RK6-975DAC</b>	<b>Size 6"</b>
<b>Includes</b>	<b>Description</b>
RK34-975R	975, 3/4"
RK6-950	950/975, 6"
RK212-975R	975 RELIEF VALVE 6"
<b>RK8-975DAC</b>	<b>Size 8"</b>
<b>Includes</b>	<b>Description</b>
RK34-975R	975, 3/4"
RK8-950	950/975, 8"
RK8-975R	975 RELIEF VALVE 8"
<b>RK10-975DAC</b>	<b>Size 10"</b>
<b>Includes</b>	<b>Description</b>
RK34-975R	975, 3/4"
RK8-975R	975 RELIEF VALVE 10"
RK10-950	950/975, 10"

# MODEL 460XL and 460

## Spill Resistant Pressure – Vacuum Breaker 3/8" to 1"



Item Number	Description	3/8"	1/2"	3/4"	1"
1	CANOPY SCREW	461-11	461-11	202B-11	202B-11
2	CANOPY	461-3	461-3	463-3	463-3
3	BONNET	461-20	461-20	463-20	463-20
4	BONNET O-RING	131N	131N	232N	232N
5	VENT SPRING	461-33B	461-33B	463-33B	463-33B
6	VENT CAGE	461-31B	461-31B	463-31B	463-31B
7	VENT POPPET O-RING	113N	113N	219S	219S
8	VENT POPPET	461-30B	461-30B	463-30B	463-30B
9	THRUST WASHER	461-14	461-14	463-14	463-14
10	DIAPHRAGM	461-43	461-43	463-43	463-43
11	CHECK CAGE	461-31A	461-31A	463-31A	463-31A
12	CHECK SPRING	461-33A	461-33A	463-33A	463-33A
13	CHECK POPPET	461-30A	461-30A	353-30	353-30
14	SEAL RING	461-12	461-12	See Item 13	See Item13
15	SEAT O-RING	014N	014N	025N	025N
16	SEAT	461-18	461-18	463-18	463-18
17	CHECK CAGE O-RING	WK-122N	WK-122N	134N	134N
18	BLEED SCREW	463-11	463-11	463-11	463-11
19	OUTLET BALL VALVE	38-850XL	12-850XL	34-850XL	1-850XL
20	INLET BALL VALVE	38-850TXL	12-850TXL	34-850TXL	1-850TXL
21	TEST COCK	18-860XL	18-860XL	18-860XL	18-860XL
22	CHECK ASSEMBLY	461-300	461-300	463-300	463-300

### Repair Kit, Complete

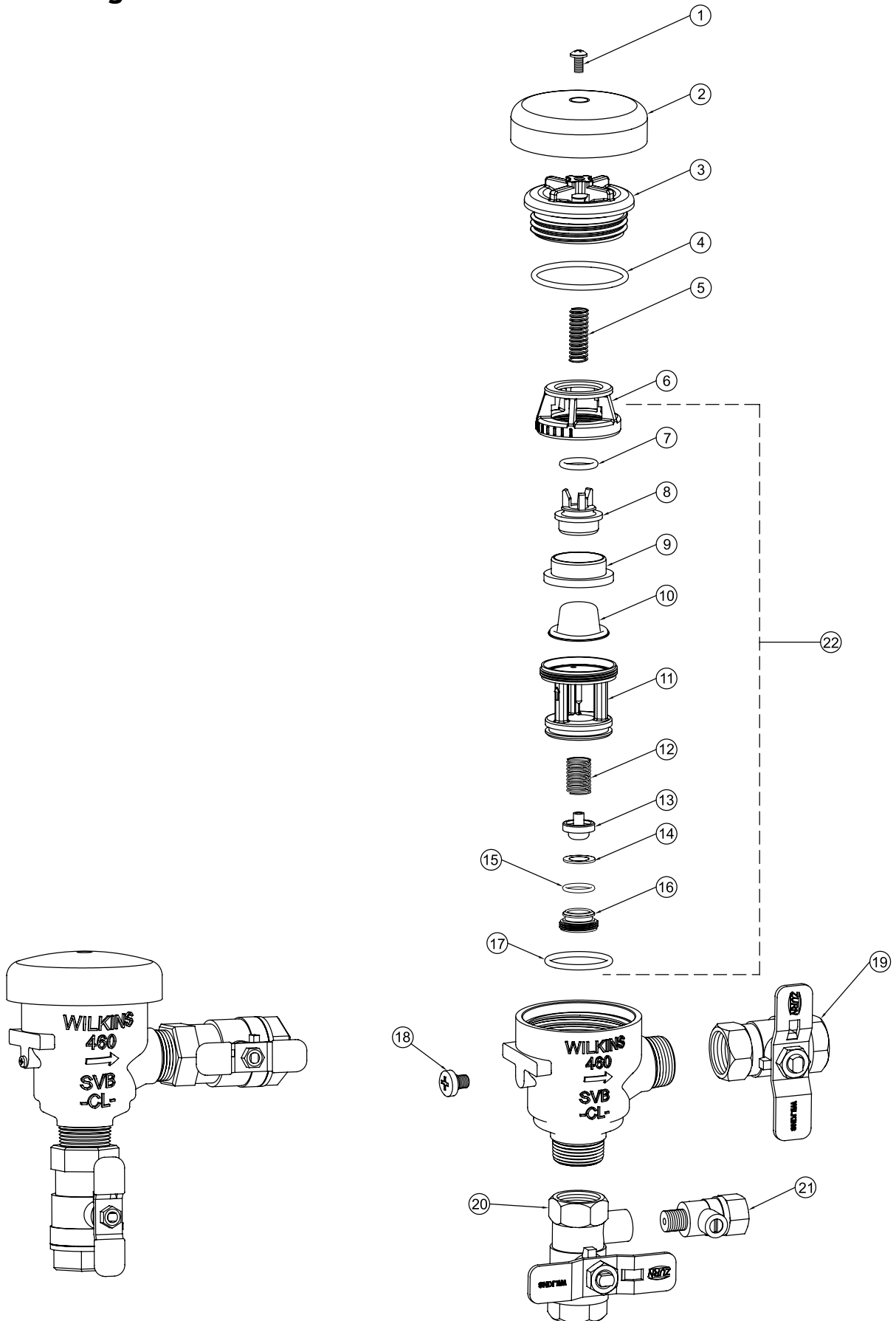
RK12-460			RK1-460		
Size 3/8" & 1/2"			Size 3/4" & 1"		
Part Number	Qty.	Description	Part Number	Qty.	Description
461-20	1	BONNET	463-20	1	BONNET
131N	1	BONNET O-RING	232N	1	BONNET O-RING
461-33B	1	VENT SPRING	463-33B	1	VENT SPRING
461-300	1	CHECK ASSEMBLY	463-300	1	CHECK ASSEMBLY

### Repair Kit, Rubber

RK12-460R			RK1-460R		
Size 3/8" & 1/2"			Size 3/4" & 1"		
Part Number	Qty.	Description	Part Number	Qty.	Description
131N	1	BONNET O-RING	232N	1	BONNET O-RING
113N	1	VENT POPPET O-RING	219S	1	VENT POPPET O-RING
461-43	1	DIAPHRAGM	463-43	1	DIAPHRAGM
461-12	1	SEAL RING	353-30	1	CHECK POPPET
014N	1	SEAT O-RING	025N	1	SEAT O-RING
WK-122N	1	CHECK CAGE O-RING	134N	1	CHECK CAGE O-RING

# MODEL 460XL and 460 – 3/8" to 1"

## Parts Drawing



# MODEL 310

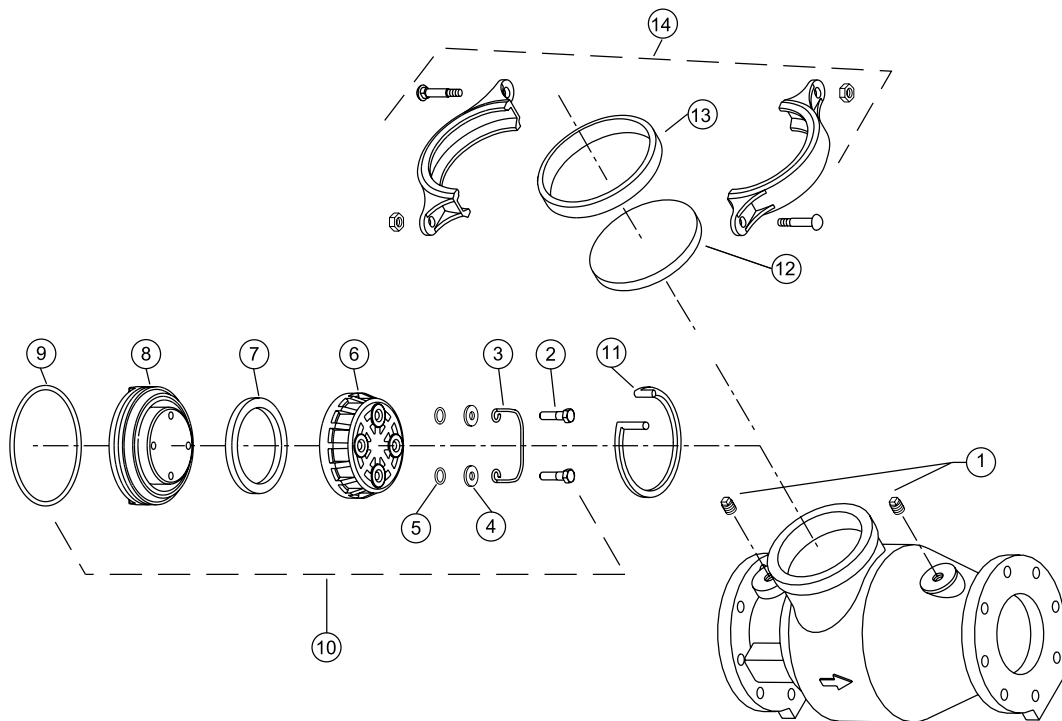
## Single Check – 4" to 8"



Item Number	Description	4"	6"	8"
1	PLUG	5510-7	5510-7	5510-7
2	BOLT, POPPET RETAINER	558-11E	5510-11A	3511-11
3	HANDLE	3509-6	3510-6	N/A
4	WASHER	3509-14C	3510-14C	3510-14C
5	O-RING	WK-109N	204N	204N
6	POPPET RETAINER	3509-14	3510-14	3511-14
7	SEAL RING	3509-12	3510-12	3511-12
8	SEAT ASSEMBLY	3109-180	3110-180	3512-180A
9	O-RING	353N	364N	273N
10	CHECK ASSEMBLY	3109-300	3110-300	3512-300A
11	SEAT RETAINER	3509-14B	3510-14B	N/A
12	COVER	3109-3C	3110-3C	3111-3C
13	GASKET, COVER RETAINER	6-23-13	8-23-13	12-23-13
14	COVER RETAINER ASSEMBLY	6-23	8-23	12-23

### Repair Kit

RK4-310			RK6-310			RK8-310		
Size 4"			Size 6"			Size 8"		
Part Number	Qty.	Description	Part Number	Qty.	Description	Part Number	Qty.	Description
3509-12	1	SEAL RING	3510-12	1	SEAL RING	3511-12	1	SEAL RING
353N	1	O-RING	364N	1	O-RING	273N	1	O-RING
WK-109N	4	O-RING	204N	4	O-RING	204N	6	O-RING



# MODEL 420XL and 420

## Pressure Vacuum Breakers - 1/2" and 3/4"



Item Number	Description	1/2"	3/4"
1	CANOPY SCREW	421-11	421-11
2	CANOPY	421-3	421-3
3	BONNET	421-20	421-20
4	O-RING	034N	034N
5	RELIEF VALVE ASSY	-	-
6	AIR INLET DISC	421A-34	421A-34
7	FLOAT	-	-
8	SPRING RETAINER	421A-80	421A-80
9	CHECK SPRING	421-33	421-33
10	POPPET	421-30	421-30
11	SEAL RING	421-12	421-12
12	SEAT	421-18	421-18
13	O-RING	126N	126N
14	SHUT-OFF VALVE	12-850TXL	34-850TXL
15	TEST COCK	18-860XL	18-860XL
16	FLOAT ASSEMBLY	421-340	421-340
17	SEAT ASSEMBLY	421-180	421-180

### Repair Kit, Complete

#### RK12-420

Qty.	Part Number	Part Number
1	421-180	SEAT ASSEMBLY
1	421-340	FLOAT ASSEMBLY
1	421-20	BONNET
1	034N	O-RING

### Repair Kit, Rubber

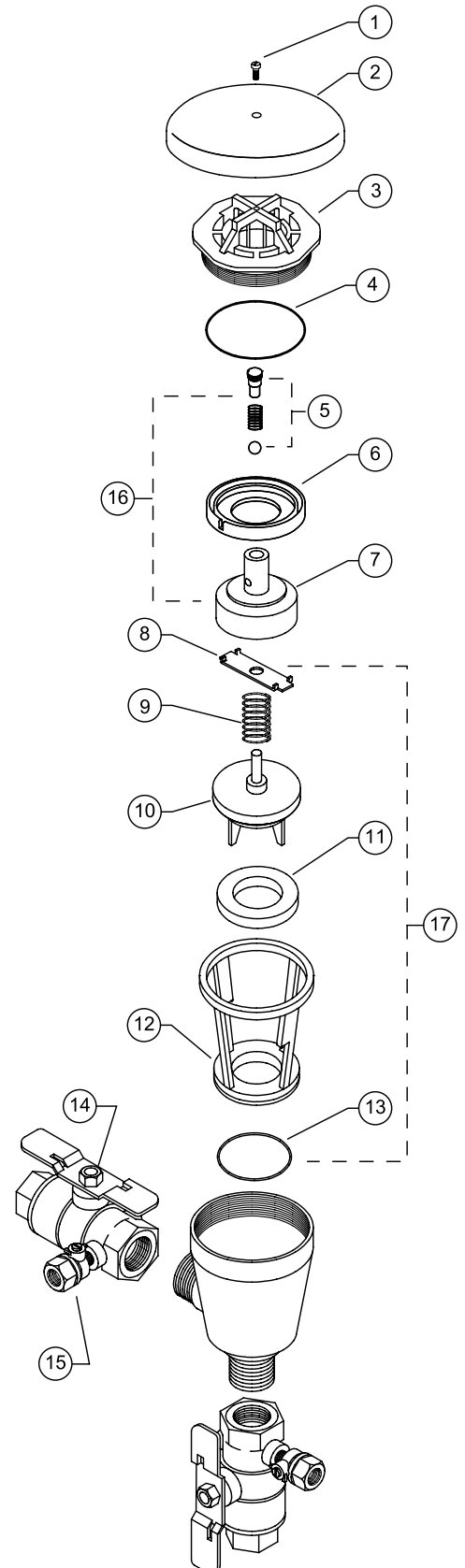
#### RK12-420R

Qty.	Part Number	Part Number
1	421-12	SEAT RING
1	421A-34	AIR INLET DISC
1	126N	O-RING
1	034N	O-RING

### Repair Kit, Freeze

#### RK12-420FK

Qty.	Part Number	Description
1	421-20	BONNET
1	421-30	POPPET
1	421-340	FLOAT ASSEMBLY
1	034N	O-RING
1	421-12	SEAL RING



# MODEL 420XL and 420

## Pressure Vacuum Breakers – 1"



Item Number	Description	1"
1	CANOPY SCREW	WK-7000-11B
2	CANOPY	423-3
3	BONNET	423-20
4	O-RING	039N
5	RELIEF VALVE ASSY	-
6	AIR INLET DISC	423A-34
7	FLOAT	-
8	SPRING RETAINER	423A-80
9	CHECK SPRING	423-33
10	POPPET	423-30
11	SEAL RING	423-12
12	SEAT	423-18
13	O-RING	133N
14	SHUT-OFF VALVE	1-850TXL
15	TEST COCK	18-860XL
16	FLOAT ASSEMBLY	423-340
17	SEAT ASSEMBLY	423-180

### Repair Kit, Complete

#### RK1-420

Qty.	Part Number	Description
1	423-180	SEAT ASSEMBLY
1	423-340	FLOAT ASSEMBLY
1	423-20	BONNET
1	039N	O-RING

### Repair Kit, Rubber

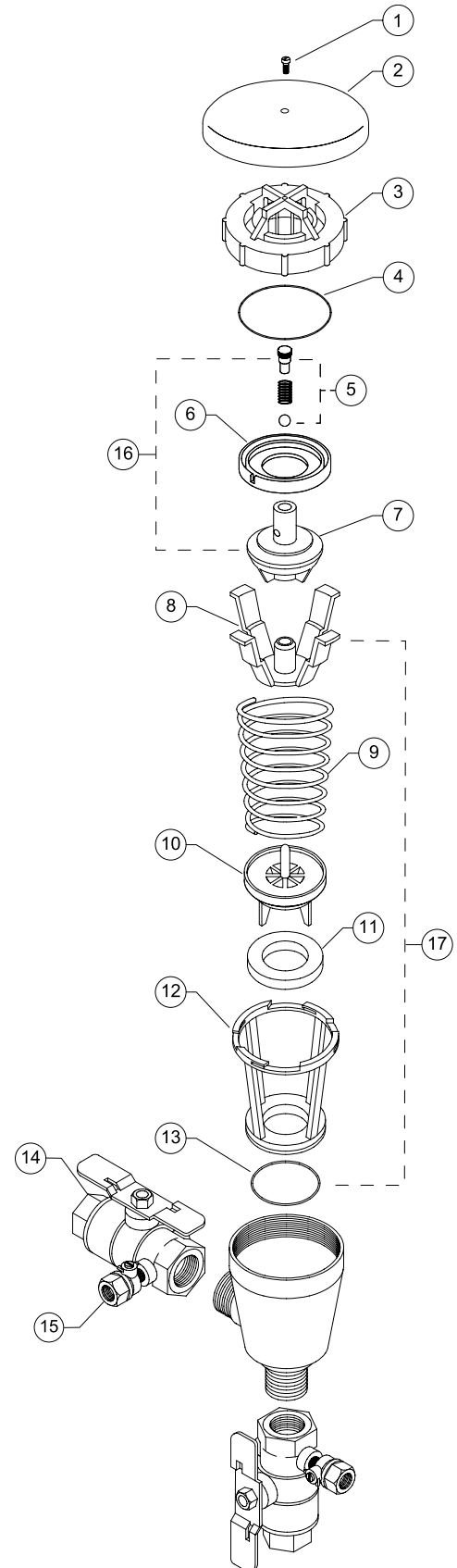
#### RK1-420R

Qty.	Part Number	Description
1	423-12	SEAT RING
1	423A-34	AIR INLET DISC
1	133N	O-RING
1	039N	O-RING

### Repair Kit, Freeze

#### RK1-420FK

Qty.	Part Number	Description
1	423-12	SEAL RING
1	423-20	BONNET
1	423-30	POPPET
1	423-340	FLOAT ASSEMBLY
1	039N	O-RING





# MODEL 720A

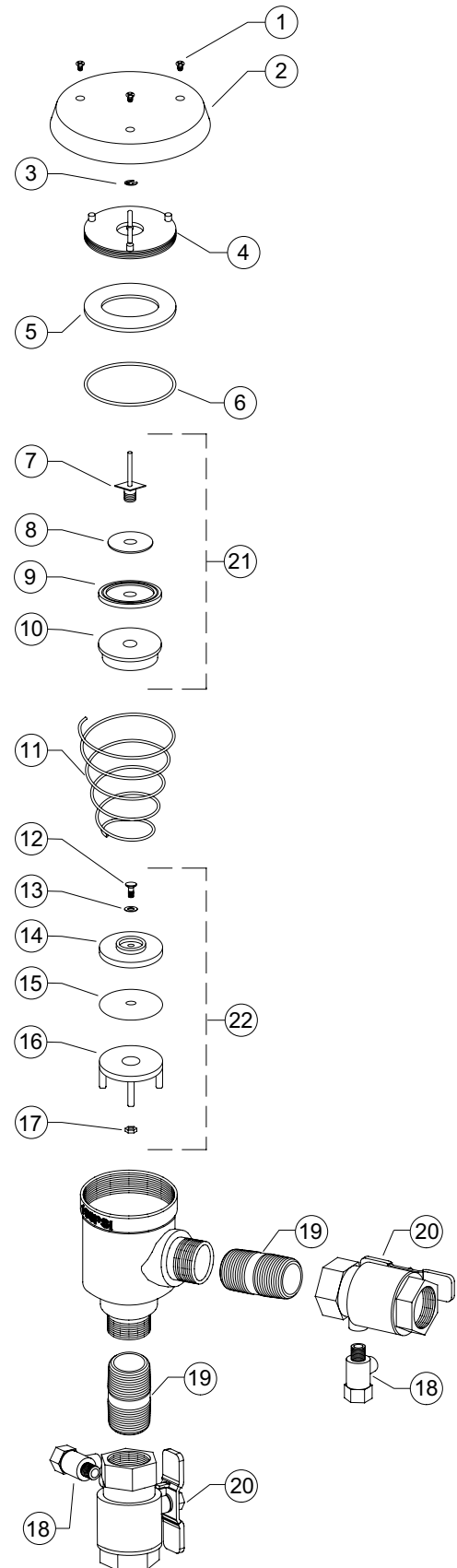
## Pressure Vacuum Breakers - 1-1/4" to 2"



Item Number	Description	Part Number
1	CANOPY SCREW	724-11
2	CANOPY	724-3
3	RETAINER RING	724-32
4	BONNET	724-20-030F
5	WASHER	724A-12
6	O-RING	156N
7	LOAD NUT & GUIDE ROD	724-90
8	LOAD WASHER	724-80
9	UPPER DISC	724A-34
10	POPPET	724-30
11	SPRING	724-33
12	SCREW	724-11A
13	WASHER	62-14
14	LOWER DISC	724B-34
15	WASHER	724-80A
16	GUIDE SPIDER	724-31
17	NUT	5752-9
18	TEST COCK	14-860XL
19	NIPPLE, 1-1/4" ONLY	104-21B
20	BALL VALVE, 1-1/4" TAP	114-850T
	BALL VALVE, 1-1/2" TAP	112-850T
	BALL VALVE, 2" TAP	2-850T
21	POPPET ASSEMBLY	724-300
22	SPIDER ASSEMBLY	724-310

### Repair Kit

RK2-720A		Size 1-1/4", 1-1/2" & 2"
Part Number	Qty.	Description
724A-12	1	WASHER
156N	1	O-RING
724-33	1	SPRING
724-300	1	POPPET ASSEMBLY
724-310	1	SPIDER ASSEMBLY



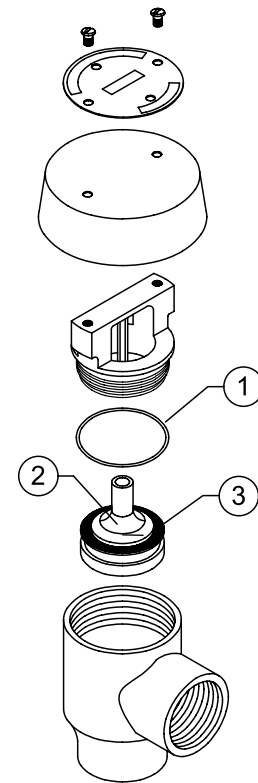
# MODEL 35XL and 35

## Atmospheric Vacuum Breaker - 1/4" to 2"

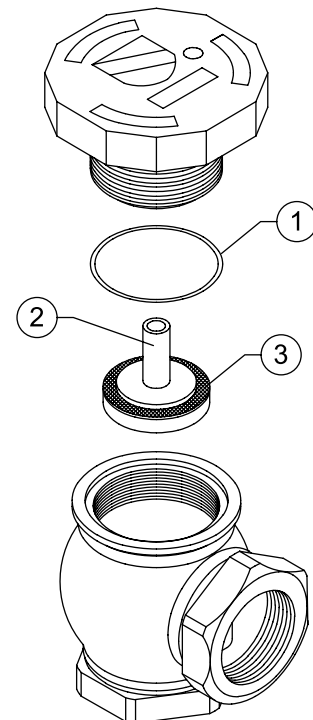


### Repair Kit

Item Number	Qty.	Description
<b>RK14-35</b>		
<b>Size 1/4" 3/8"</b>		
1	1	O-RING
2	1	FLOAT
3	1	SEAL RING
<b>RK12-35</b>		
<b>Size 1/2"</b>		
1	1	O-RING
2	1	FLOAT
3	1	SEAL RING
<b>RK34-35</b>		
<b>Size 3/4"</b>		
1	1	GASKET
2	1	FLOAT
3	1	SEAL RING
<b>RK1-35</b>		
<b>Size 1"</b>		
1	1	GASKET
2	1	FLOAT
3	1	SEAL RING
<b>RK114-35</b>		
<b>Size 1-1/4"</b>		
1	1	GASKET
2	1	FLOAT
3	1	SEAL RING
<b>RK112-35</b>		
<b>Size 1-1/2"</b>		
1	1	GASKET
2	1	FLOAT
3	1	SEAL RING
<b>RK2-35</b>		
<b>Size 2"</b>		
1	1	GASKET
2	1	FLOAT
3	1	SEAL RING



**1/4" - 1/2"**



**3/4" - 2"**

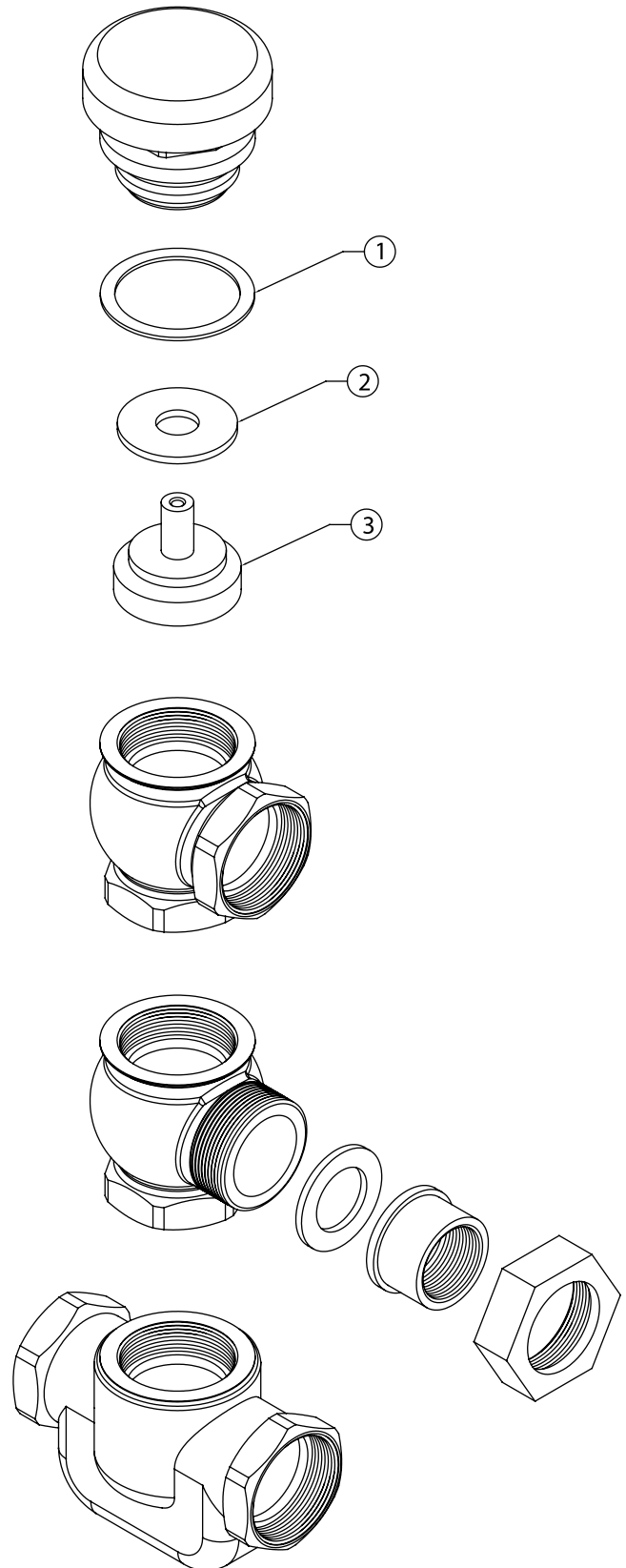
# MODEL 30

## Atmospheric Vacuum Breaker - 1" to 2"



### Repair Kit

Item Number	Part Number	Qty.	Description
<b>RK1-315</b>			<b>1" MODEL 30, 315 &amp; 320</b>
1	203A-12	1	GASKET
2	303-34-010	1	FLOAT
3	303-12	1	SEAL RING
<b>RK114-315</b>			<b>1-1/4" MODEL 30, 315 &amp; 320</b>
1	204A-12	1	GASKET
2	304-34-010F	1	FLOAT
3	304-12	1	SEAL RING
<b>RK112-315</b>			<b>1 1/2" MODEL 30 , 315 &amp; 320</b>
1	205A-12	1	GASKET
2	305-34	1	FLOAT
3	305-12	1	SEAL RING
<b>RK2-315</b>			<b>2" MODEL 30 , 315 &amp; 320</b>
1	206A-12	1	GASKET
2	306-34-010F	1	FLOAT
3	306-12A	1	SEAL RING



# MODEL 700XL and 700

## Dual Check Backflow Preventer – 1/4" to 1"



Item Number	Description	1/4" - 1/2"	3/4" - 1"
1	POPPET ASSEMBLY	751-300	702-300
2	O-RING	022N	217N
3	WASHER/O-RING	751-13	217N
4	TAILPIECE, 1/4" FNPT	700A-19XL	-
	TAILPIECE, 3/8" FNPT	700-19XL	-
	TAILPIECE, 1/2" FNPT	751-19XL	-
	TAILPIECE, 3/4" FNPT	-	702-19XL
	TAILPIECE, 3/4" COPPER	-	702C-19XL
	TAILPIECE, 3/4" FMTC	-	702-19XLFM
	TAILPIECE, 1" FNPT	-	63-19XL
	TAILPIECE, 1" COPPER	-	63C-19
	TAILPIECE, 1" FMTC	-	703-19XLFM

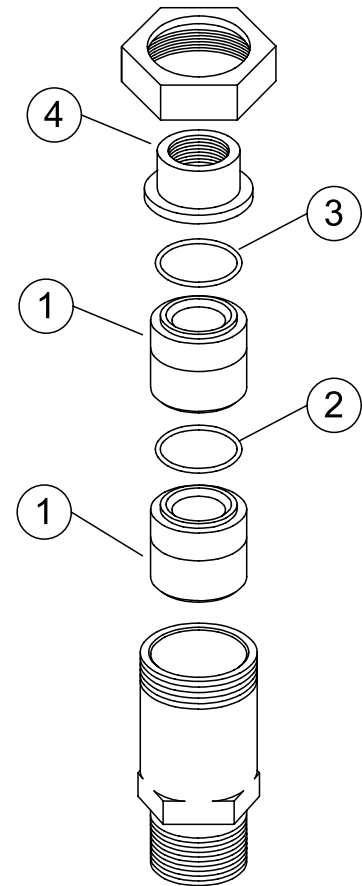
### Repair Kit

**RK14-700**      **Size 1/4", 3/8", 1/2"**

Qty.	Description	Part Number
2	POPPET ASSEMBLY	751-300
1	O-RING	022N
1	WASHER	751-13

**RK34-700**      **Size 4" & 1"**

Qty.	Description	Part Number
2	POPPET ASSEMBLY	702-300
2	O-RING	217N



# MODEL 705

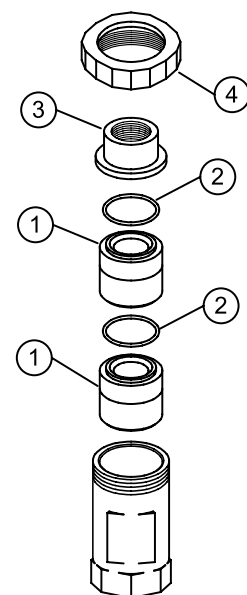
## Dual Check Backflow Preventer – 3/4" and 1"

Item Number	Description	3/4" - 1"
1	POPPET ASSEMBLY	702-300
2	O-RING	217N
3	TAILPIECE, 3/4" FNPT	702-19XL
	TAILPIECE, 1" FNPT	63-19XL
4	UNION NUT	705-9

### Repair Kit

**RK34-700**      **Size 3/4" & 1"**

Qty.	Description	Part Number
2	POPPET ASSEMBLY	702-300
2	O-RING	217N



# MODEL 700XLFP and 700FP

## High Capacity Dual Check Backflow Preventer – 1" to 1-1/2"

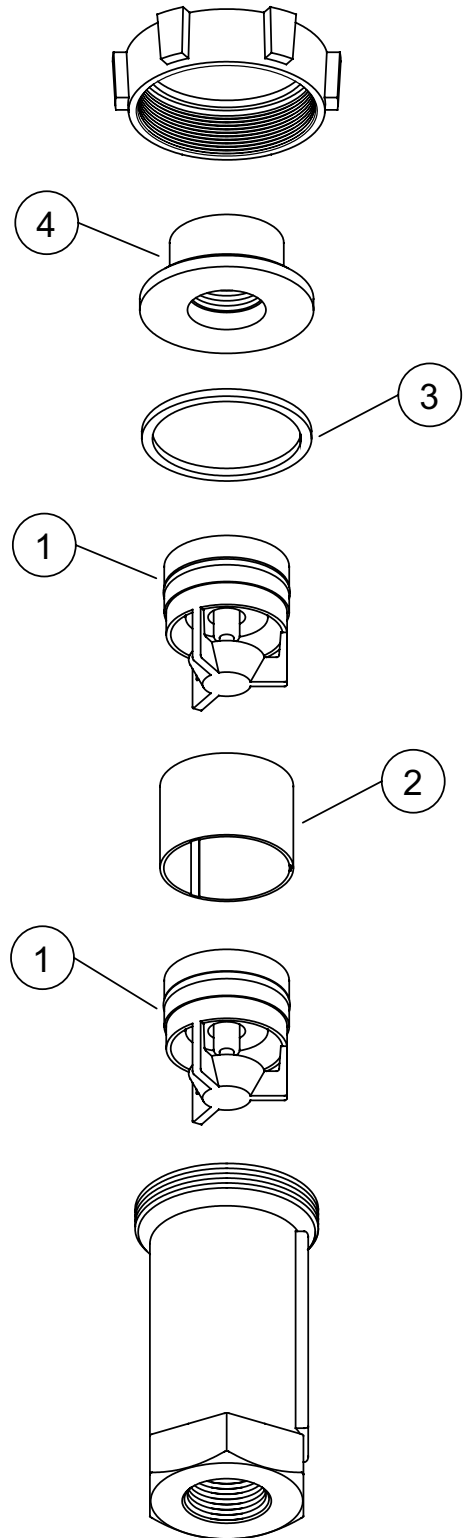


Item Number	Description	1", 1-1/4" & 1 1/2"
1	POPPET ASSEMBLY	353-300B
2	SLEEVE	704-2
3	UNION GASKET	855-13
4	TAILPIECE, 1" FNPT	703-19XL-010F
	TAILPIECE, 1-1/4" FNPT	704-19XL-010F
	TAILPIECE, 1 1/2" FNPT	605-19XL-010F
	TAILPIECE, 1 1/2" COPPER	605C-19
	TAILPIECE, 1-1/4" FMTC	704-19XLFM-010F

### Repair Kit

**RK1-700FP** Size 1", 1-1/4" & 1-1/2")

Qty.	Description	Part Number
2	POPPET ASSEMBLY	353-300B
1	SLEEVE	704-2
1	UNION GASKET	855-13



## MODEL TG-3 TEST KIT

Three Valve Backflow Prevention valve test kit for convenient field testing of all brands of reduced pressure principle, double check and pressure vacuum breaker backflow prevention devices.

### FEATURES

Maximum working pressure 200 psi  
Working temperature range 35° F to 150° F

- Gauge body of engineered thermoplastic material
- Gauge dial: 4 1/2" diameter, 0-15 P.S.I. scale (75 divisions)
- 200 psi line pressure gauge dial
- Accuracy: +/- 0.2 P.S.I.D. (descending)
- Valves: Soft-seated needle with replaceable seats (3 total)
- Hoses and fittings: (3) 5' lengths; color coded, SAE 45° flare fittings and 90 micron cleanable porous metal (brass) filters
- 5 year warranty against defects in materials and manufacturing
- Durable carrying case with external fitting compartments

## MODEL TG-5 TEST KIT

Five Valve Backflow Prevention assembly test kit designed for field testing all brands of reduced principle, double check and pressure vacuum breaker backflow prevention devices.

### FEATURES

Maximum working pressure 200 psi  
Working temperature range 35° F to 150° F

- Gauge body of engineered thermoplastic material
- Gauge dial: 4 1/2" diameter, 0-15 P.S.I. scale (75 divisions)
- 200 psi line pressure gauge dial
- Accuracy: +/- 0.2 P.S.I.D. (descending)
- Valves: Soft-seated needle with replaceable seats (5 total)
- Hoses and fittings: (3) color coded 5' lengths and (1) 4' long clear bleed tube, SAE 45° flare fittings and 90 micron cleanable porous metal (brass) filters
- 5 year warranty against defects in materials and manufacturing
- Durable carrying case with external fitting compartment



**Zurn Wilkins**  
1747 Commerce Way  
Paso Robles, CA 93446, 855-663-9876

In Canada  
**Zurn Industries Limited**  
7900 Goreway Drive, Unit 10  
Brampton, Ontario L6T 5W6, 905-405-8272

US 1.855.ONE.ZURN CANADA 1.905.405.8272 ZURN.COM

Form No. 480-023, 5/17