

# Lock-Temp® Stainless Steel Storage Tanks

## Lock-Temp® Stainless Steel

*Available in 60, 80 and 119 gallon capacities, this storage tank makes a perfect companion to the Stainless Steel Armor Floor Mount and Wall Mount water heaters.*

### Laser Cut Precision

A CNC laser uses Programmable Logic Controls to precisely cut the Lock-Temp Stainless Steel storage tank shell out of 14 gauge 316L stainless steel to a tolerance of .01 inch.



### Robotic Welder

A state of the art six axis programmable robotic welder uses computer guidance to accurately weld all of the stainless steel fittings to the stainless steel tank.

### Hydrostatic Leak Test

After it leaves the robotic welder the tank is hydrostatically pressure tested to ensure quality conformance.

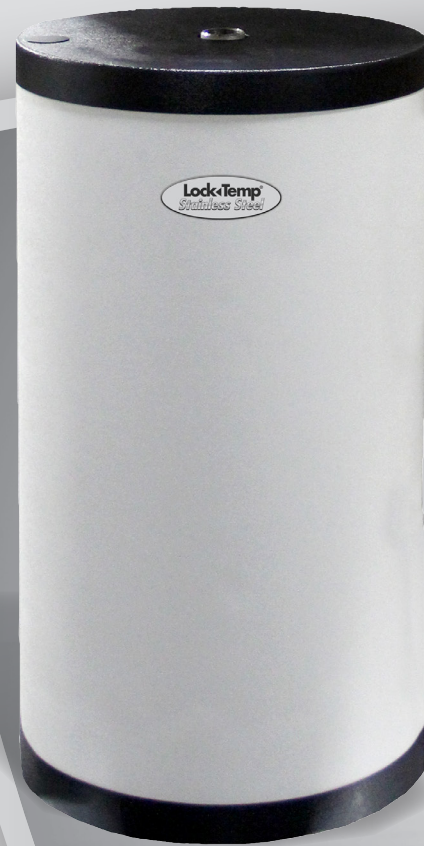
### Passivation Process

Each tank is subjected to a soaking spray of nitric acid. This treatment washes away any iron that was left behind during the welding process and re-establishes the oxide level of the stainless steel to ensure corrosion resistance. By removing iron from the welded surfaces, the tank is less susceptible to corrosion brought on by aggressive water.



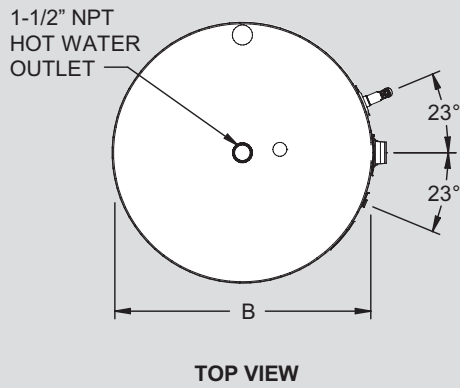
### Jacket and Foam

The dent resistant polypropylene jacket and ABS caps are attached to the tank assembly, and then high density foam is added using a high pressure dispensing system to provide insulation that will keep the heat where it belongs, in the water. The result is a tank that is jacketed and evenly foam insulated with standby losses as low as 0.5°F per hour. Lochinvar backs its Stainless Steel Storage Tank with a 10 year limited warranty.

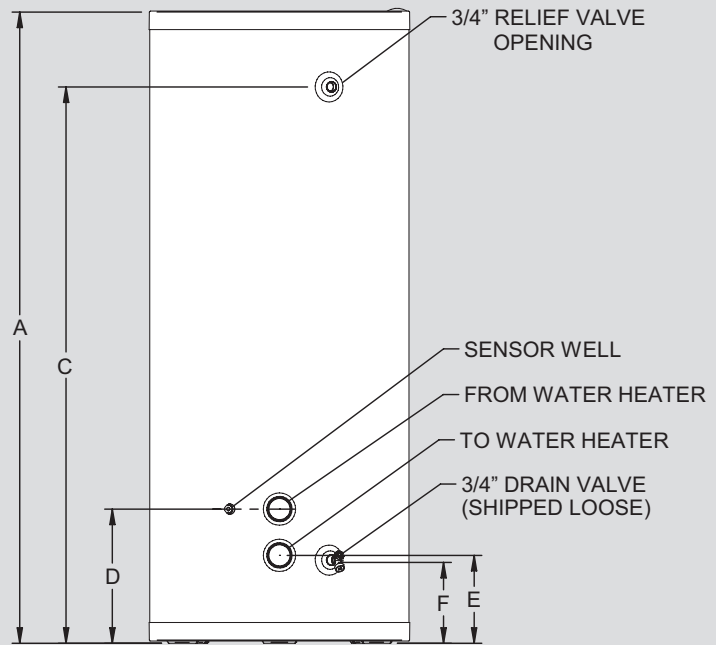


**CAPACITIES FROM  
60 - 119 GALLONS  
10 YEAR LIMITED WARRANTY**

# Lock-Temp® Stainless Steel Storage Tank Dimensions and Specifications



## SJS Models



Model Number	Gallon Capacity	A	B	C	D	E	F	Recirculation Tappings	Shipping Wt. (lbs.)
SJS060	60	36"	28"	28"	14-1/4"	9-1/4"	9"	1-1/2"	138
SJS080	80	69-1/2"	24"	61-3/4"	14-1/4"	9-1/4"	9"	2"	153
SJS119	119	68-1/4"	28"	60-1/4"	14-1/2"	9-1/2"	9"	2"	198

## STANDARD FEATURES

- › Light-weight 316L stainless steel tank construction
- › Diffuser tube to eliminate turbulence
- › 150 PSI working pressure
- › Exceeds ASHRAE Energy Efficiency Standards
- › Textured, impact resistant polypropylene jacket
- › Bulbwell for control sensor
- › 3/4" brass drain valve
- › 10 year limited tank warranty

*All models standard with a 10 year Limited Warranty against tank failure.*



Lochinvar, LLC  
300 Maddox Simpson Parkway  
Lebanon, Tennessee 37090  
P: 615.889.8900 / F: 615.547.1000  
f t in y Lochinvar.com