

Location: _____

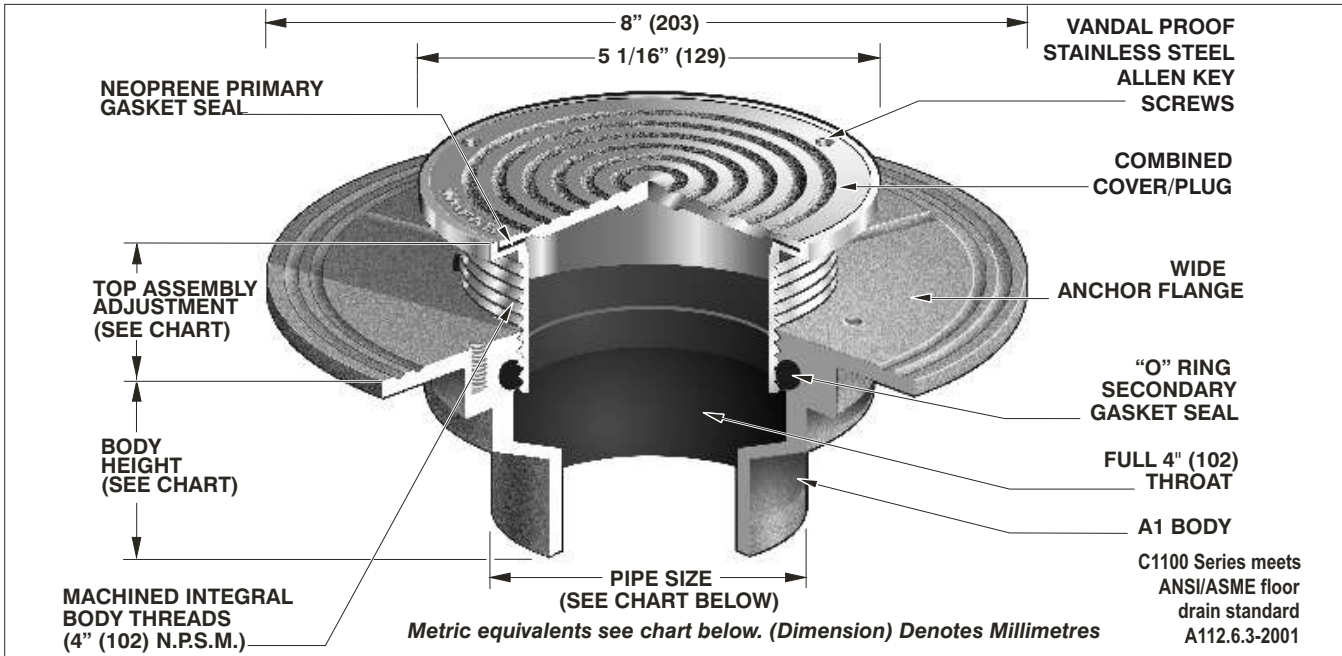


C1100-R

FLOOR CLEANOUT WITH ADJUSTABLE COVER AND PLUG

Specification: MIFAB C1100 Series (specify top assembly design) adjustable floor cleanout with lacquered cast iron body and anchor flange, secondary "O" ring Test Seal, 4" diameter cleanout opening and scoriated combined cover and plug top assembly (specify material type) with stainless steel vandal proof allen key screws and primary gasket seal. (For membrane floors, add Suffix -C for membrane clamp.)

Function: Used in finished floors to provide emergency access to the plumbing lines for removal of blockages. Replacement of the surface level cover/plug with the neoprene gasket glued to the underside provides visual evidence that the cleanout has been properly resealed to prevent harmful sewer gases from entering the building.



TOP ASSEMBLY DIAMETER	TOP ASSEMBLY ADJUSTMENT		ANSI/ASME RATING LOAD RATING			PIPE SIZE	BODY HEIGHT				
	MIN	MAX	N.B. (-1)	S.S. (-3)	D.I. (-4)		NO HUB (STANDARD)	PUSH ON (P)	THREADED (T)	INSIDE CAULK (X)	PVC/ABS (-30)/(-31)
5" (127)	1/2" (13)	1 1/4" (32)	UP TO 4,999 LBS.	5,000 TO 7,499 LBS.	SPECIAL DUTY OVER 10,000 LBS.	2" (51)	3" (76)	3 3/8" (86)	2 1/4" (57)	3 3/4" (95)	2 15/16" (75)
						3" (76)	3" (76)	3 3/8" (86)	2 5/8" (67)	3 3/4" (95)	3 3/4" (95)
						4" (102)	3" (76)	3 3/8" (86)	2 5/8" (67)	3 3/4" (95)	3 3/4" (95)
						5" (127)	3" (76)	—	2 5/8" (67)	3 3/4" (95)	—
						6" (152)	3 1/4" (83)	6 1/2" (165)	—	—	—

SUFFIX	OPTIONAL VARIATIONS:	SUFFIX	SUFFIX
-1	Nickel bronze top assembly	-90NH	No hub side outlet (2", 3", 4") (cast iron only)
-3	Heavy duty stainless steel top assembly	-95	Special marking etched into top (SAN for sanitary or GW for Grease Waste)
-4	Extra heavy duty ductile iron top assembly for unfinished areas	-ARRA	ARRA (Stimulus Act) compliant product
-6	Security screws (TR25 Torx & pin)	-BA	Buy American Act compliant product
-6S	6" x 6" square top assembly (-1 or -3 only)	-C	Membrane clamp
-11	Acid resistant epoxy coated body	(Standard)	No hub outlet
-13	Galvanized body	P	Push on outlet
-15	Extension	-PA	Pennsylvania Steel Act compliant product
-28	Stainless steel body (Type 304)	-R	Round top assembly
-30	PVC socket connection body	-RC	Stainless steel carpet maker
-31	ABS socket connection body		
-34	Secondary closure plug		
-90	Threaded side outlet (2", 3", 4") (cast iron only)		
		-RFC	Stainless steel carpet flange cover (-1 or -3 only)
		-S	Square top assembly (-1 or -3 only) (5" x 5")
		-T	Round top assembly recessed 1/8" for tile
		T	Threaded outlet (2", 3", 4")
		-TS	Square top assembly recessed 1/8" for tile (-1 or -3 only)
		-UR	Round top assembly recessed 1 1/4" for terrazzo (-1 or -3 only)
		-US	Square top assembly recessed 1 1/4" for terrazzo (-1 or -3 only)
		X	Inside caulk outlet
		-XR	Heavy duty round top assembly
		-XS	Heavy duty square top assembly
		-Z	Extended wide elastomeric flange

Job Name: _____ Page No: _____
 Section No: _____ Contractor: _____
 Schedule No: _____ Purchase Order No: _____

MIFAB reserves the right to make changes in material and design without formal notice and obligation.