

Location: \_\_\_\_\_

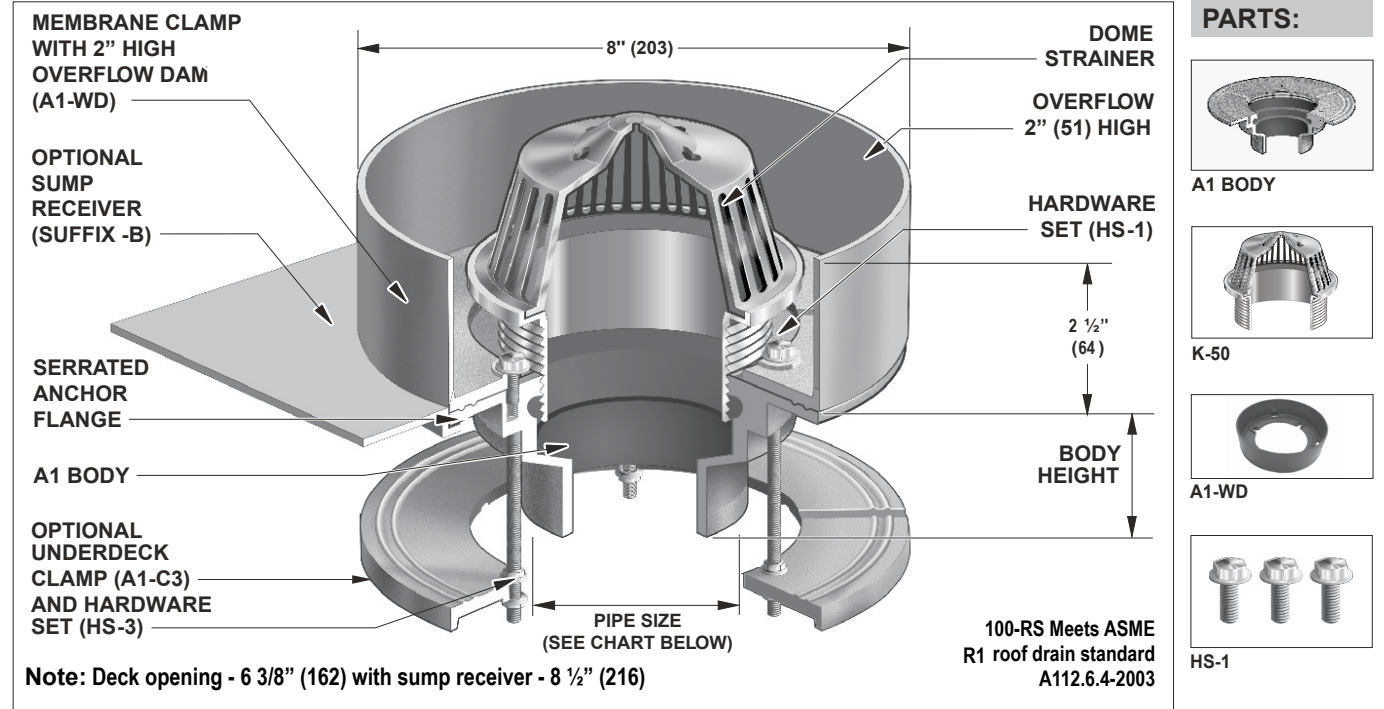


**R1100-RS**

**ROOF DECK CONDENSATE RECEPTOR DRAIN**

**Specification:** MIFAB® Series R1100-RS lacquered cast iron roof deck condensate receptor drain with anchor flange, cast iron waterproofing membrane clamp ring with integral gravel stop, overflow and cast iron dome strainer.

**Function:** Used in flat roofs and gutters to receive condensate and wastewater from air conditioners, cooling towers and other mechanical equipment. The 2" high external dam prevents storm water from entering the drain line and the dome strainer prevents debris from entering the drain line. The 8" diameter body is ideal for applications with limited space. Anchor flange and membrane clamp with tongue in groove design provides for secure grip of membrane and roof flashing materials.



PIPE SIZE	BODY HEIGHT				
	NO HUB (STANDARD)	PUSH ON (P)	THREADED (T)	INSIDE CAULK (X)	PVC/ABS (-30)/(-31)
2" (51)	3" (76)	3 3/8" (86)	2 1/4" (57)	3 3/4" (95)	2 15/16" (75)
3" (76)	3" (76)	3 3/8" (86)	2 5/8" (67)	3 3/4" (95)	3 1/2" (89)
4" (102)	3" (76)	3 3/8" (86)	2 5/8" (67)	3 3/4" (95)	3 1/2" (89)
5" (127)	3" (76)	—	2 5/8" (67)	6 7/8" (175)	—
6" (152)	3 1/4" (83)	6 1/2" (165)	—	—	—

SUFFIX	OPTIONAL VARIATIONS	SUFFIX	OPTIONAL VARIATIONS
1	Nickel Bronze dome strainer (Part #K1)	-90	Threaded side outlet (2", 3", 4")
-3	Stainless steel dome strainer (Part #K3)	-90NH	No Hub side outlet (cast iron only) (2", 3", 4")
-6	Vandal proof dome	(Standard)	No hub outlet
-11	Acid resistant epoxy coating	-ARRA	ARRA (Stimulus Act) compliant product
-12	Galvanized metal dome	-B	Sump receiver
-12A	Galvanized body and membrane clamp	-BA	Buy America Act compliant product
-13	Galvanized body, membrane clamp and dome	P	Push on outlet
-14	Flat grate (replaces dome strainer)	-PA	Pennsylvania Steel Act compliant product
-15	Adjustable extension	T	Threaded outlet (2", 3", 4")
-28	Stainless steel body (Type 304) (2", 3", 4")	-U	Underdeck clamp
-30	PVC socket connection body	-U3	Underdeck clamp with cutaway side
-31	ABS socket connection body	-W-1	Water proofing flange
-81	Rough bronze dome (A1-MD-81) (to poly dome)	X	Inside caulk outlet (2", 3", 4")
-83	Stainless steel mesh screen over dome	-XJ	Vertical expansion joint (see R1900)

CALIFORNIA PROPOSITION 65 WARNING. This product contains chemicals known to the State of California to cause cancer and birth defects or other reproductive harm.

Job Name: \_\_\_\_\_ Page No: \_\_\_\_\_

Section No: \_\_\_\_\_ Contractor: \_\_\_\_\_

Schedule No: \_\_\_\_\_ Purchase Order No: \_\_\_\_\_