



CLPB-2022

2022









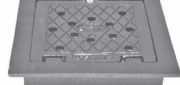






CLPB CATALOG

LIGHT COMMERCIAL
DRAINAGE PRODUCTS



LIT-048

PICTORIAL INDEX

 F100-TS (Pages 4, 5)	 F220-TS (Page 4)	 CRTS5-1 (Page 5)	 F220-TS-WF (Page 6)	 C220-TOS (Page 7)	 C220-TOS-WF (Page 7)
 F220 (Page 8)	 F220-S (Page 8)	 F100 (Page 9)	 F100-S (Page 9)	 F100-C (Page 10)	 F100-C-S (Page 10)
 F300 (Page 11)	 F320 (Page 11)	 C220-R (Page 12)	 C220-S (Page 12)	 DRAIN TOP - ROUND (Page 13)	 DRAIN TOP - SQUARE (Page 13)
 DRAIN BODIES (Page 13)	 ALLSTAR® COVER (Page 34)	 SD7000 (Page 14)	 SD7002-S4 (Page 14)	 FD212TC-49 (Page 14)	 FD230-WF (Page 15)
 FLOOR DRAIN OPTIONS (Page 16)	 50-SD-TC (Page 16)	 FD-960 (Page 16)	 F650 (Page 16)	 SW6P-4 (Page 16)	 R150 (Page 17)
 C300 (Page 17)	 CLOSET FLANGES (Page 17)	 MI-SCOV (Page 18)	 RFD (Page 18)	 DIELECTRIC NIPPLES (Page 19)	 R1800 (Page 19)
 PVC FLOOR SINKS (Page 20)	 CAST IRON FLOOR SINKS (Page 21)	 MCL-G (Page 22)	 MCL-G-L (Page 23)	 EXTENSIONS (Pages 23, 25)	 MI-ROC (Page 24)
 MI-GO (Page 25)	 HY-1000-NPB (Page 26)	 HY-2000-NPB (Page 26)	 HY-3000-NPB (Page 26)	 HY-3500-NPB (Page 26)	 HY-4000-NPB (Page 27)
 HY-4500-NPB (Page 27)	 HY-5000-NPB (Page 27)	 HY-5500-NPB (Page 27)	 HY-6000-NPB (Page 28)	 HY-9000-NPB (Page 29)	 HY-9200-NPB (Page 29)
 HYDRANT BOXES (Page 30)	 HYDRANT REPAIR KITS and ACCESSORIES (Page 31)	 MI-TR TRANSITION PVC COUPLING (Page 32)	CROSS REFERENCE GUIDE (Pages 36-39)	OUTLET CONNECTIONS (Page 42)	<i>"The Allstar covers are great. We use them on our monolithic pours." - MSD Mechanical, Toronto, Canada</i>

CALIFORNIA PROPOSITION 65 WARNING. This product contains chemicals known to the State of California to cause cancer and birth defects or other reproductive harm.

TABLE OF CONTENTS

	DISCOUNT		DISCOUNT
Allstar Cover.....	34	Hydrants	26-31
Area Drains	11, 15	Membrane Clamp Lockdown Clamps.....	19
Cleanouts	12, 17	Replacement Roof Drain.....	18
Cleanouts, Top Set.....	7	Roof Drains	17, 18
Closet Flanges	17	Sewer Box Sewer Lid & Cover.....	18
Cross Reference Guide	36-39	Shower Drains.....	8-10, 14-16
Deck Drains	15, 16	Shower Sub Drains	16
Dielectric Nipples	19	Sidewalk Boxes	16
Floor Drains.....	8-11, 13-16	Snap In Grates	16
Floor Drains, Top Set	4-6	Wood Deck Floor Drains.....	15, 16
Floor Sinks	20-21	Transition PVC Coupling.....	32
Grease Interceptors	22-25		

TERMS AND WARRANTIES

WHOLESALE DISCOUNT:

Contact MIFAB® or your local representative for your applicable discount structure.

FREIGHT ALLOWANCE: Ex Works, MIFAB's Chicago, Illinois Factory or Manufacturer Representative's warehouse with full motor freight allowed on shipments of \$3,500.00 Net or more, within the continental U.S.A. and Canada, except Alaska, Hawaii and Puerto Rico. MIFAB reserves the right to choose the carrier and route of shipment. Alaska: Ex Works, Seattle, WA. Hawaii: Freight allowed on shipments of \$3,500.00 or more only when shipped from West Coast, U.S. Puerto Rico: Ex Works, Miami, Florida. There is no allowance for United Parcel Service, Federal Express or Shipment by air service. Full motor freight is allowed on shipments of \$3,500.00 Net or more, within the continental U.S.A. and Canada for any combination of BEECO, Counterline, No Hub Coupling, Trench Drain, Access Door and Trap Seal Primer products. Shipping dates are estimates and time of delivery is not the essence of the sale of the contract. Therefore, under no circumstances will MIFAB® have any responsibility on account of any delays in manufacture, transportation, or otherwise. Additional freight services such as construction site delivery, lift gate delivery service, re-consigned freight or notification charges, are not included in full freight allowance terms, and will result in additional freight charges.

QUOTATION TERMS: List Price and discount protected for 30 days from date issued by MIFAB®. Orders received within this period must be released for shipment within 30 days from date of purchase order, otherwise, prices will be those that are in effect at the time of shipment.

PAYMENT TERMS: Terms of payment are Net 30 days from the date of the invoice. All pricing in United States currency except for sales to Canadian customers which are priced in Canadian dollars. The Buyer shall pay all sales, consumers, and / or any other applicable taxes. Past due accounts will be subject to a 2% per month service charge from the date of the invoice. If any proceedings be instructed by or against Buyer under any bankruptcy or insolvency law, or if Buyer shall fail to make timely payment on this or any other order, or if, in MIFAB's judgment, Buyer's financial situation justifies such action, MIFAB® may, at its election, require payment in advance or cancel the order as to any unshipped item and require payment of its reasonable cancellation charges. If Buyer delays completion of manufacture, MIFAB® may elect to require payment according to percentage of completion. Equipment held for Buyer shall be at Buyer's risk and expense. In all cases, regardless of partial payment, title to the Products shall remain with MIFAB® until payment for the Products (including any notes given therefore) has been made in full. Should legal action be necessary to enforce payment of an unpaid invoice, the Buyer will assume full responsibility for any court costs and reasonable attorney fees. All orders subject to credit check and approval prior to shipment. Confirmed irrevocable letter of credit or cash in advance of shipment is required for accounts without an established line of credit. Minimum invoice amount is \$100.00. MIFAB® reserves the right to apply a minimum order charge to equal \$100.00. MIFAB's Accounting Department must be notified of potential pricing errors within 30 days of the invoice date. Any terms and conditions stated on Buyer's orders which are inconsistent with MIFAB's quotation and Terms and Warranties shall be of no effect.

RETURNED GOODS RESTOCKING CHARGE: Standard product may be returned within a one year period only with written permission from MIFAB®. All products in catalog are not considered Standard. Standard product to be determined by MIFAB®. Returned goods are subject to a 25% restocking charge, plus cost of reconditioning, if necessary, to make material saleable. Material must be returned to MIFAB® freight prepaid only after written permission from MIFAB® to accept the returned material. Buyer must provide copy of the original invoice on which the material was charged. The original outgoing freight cost to ship the order will be deducted from the credit. Credit allowance will be in the form of merchandise credit only-not cash credit which must be used within 12 months of the date of issue. The value of a return must total \$100.00 to qualify for credit allowance. No credit will be allowed for auxiliary tappings, discontinued, or made to order items. Products designated non stock and / or that have been specially made are not subject to return or cancellation.

LIMITED WARRANTY: MIFAB® warrants each product against defects in material and workmanship for a period of one year from the date of original shipment. In the event of such defects within the warranty period, MIFAB® will, at its option, replace or recondition the product without charge. This shall constitute the exclusive remedy for breach of warranty, and MIFAB® shall not be responsible for any incidental or consequential damages, including, without limitation, damages or other costs resulting from labor charges, delays, vandalism, negligence, fouling caused by foreign material, damage from adverse water conditions, chemicals, or any other circumstances over which MIFAB® has no control. This warranty shall be invalidated by any abuse, misuse, misapplication or improper installation of the product.

MIFAB® MAKES NO OTHER WARRANTIES EXPRESSED OR IMPLIED AS PROVIDED IN THIS LIMITED WARRANTY.

ILLUSTRATIONS OR TYPICAL INSTALLATIONS: The typical installations for various products in each product section are intended to illustrate the products and their options. Under no circumstances are they to be construed as recommended installation procedures. Consult local codes and project specifications for proper installation instructions.

ALL SALES SUBJECT TO MIFAB's TERMS AND WARRANTIES.

NOTE: Prices and terms are subject to change without notice and supersede all previous quotations. The right is reserved to change or modify product design or construction without prior notice and without incurring any obligation to make similar changes and modifications to product previously or subsequently sold. Contact MIFAB® for any clarification.

CONTENTS © MIFAB® INC. Copyright 2022

CALIFORNIA PROPOSITION 65 WARNING. This product contains chemicals known to the State of California to cause cancer and birth defects or other reproductive harm.

Design and dimensions are subject to modification. Prices do not include applicable taxes.

Visit www.mifab.com for the most recent product information.

MIFAB®, Inc., 1321 West 119th Street, Chicago, Illinois 60643-5109, USA

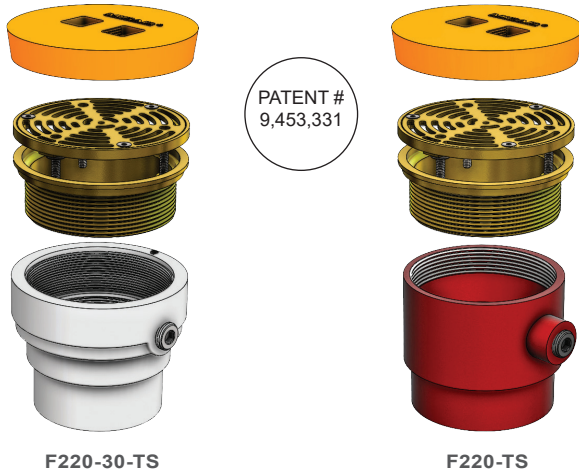
Toll Free: 1-800-465-2736, Fax: 1-773-341-3049

All sales subject to MIFAB's® Terms and Warranties. Please refer to page 3.

sales@mifab.com Canada Toll Free: 1-800-387-3880

COUNTERLINE F220-TS TOP SET ROUND DOUBLE ADJUSTABLE FLOOR DRAIN WITH COVER

Double adjustable Floor Drain with no anchor flange for slab on grade installations and round strainer. 1/2" Trap Seal Primer tapping and plastic cover included with all bodies.



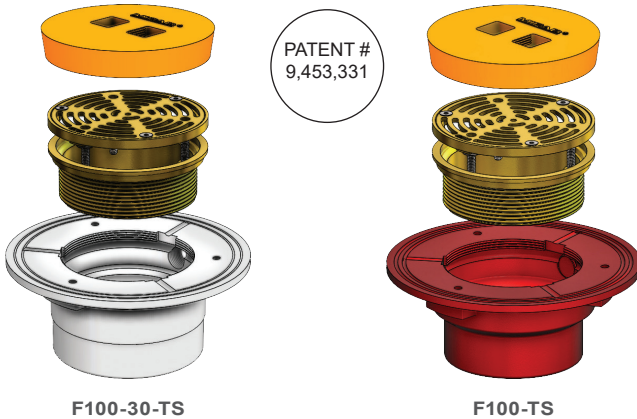
MODEL #	OUTLET SIZE	STRAINER DIAMETER & MATERIAL	LIST PRICE
F222P-TS5-1	2" Push On (Cast Iron)	5" Round, Nickel Bronze	\$128.50
F223P-TS5-1	3" Push On (Cast Iron)	5" Round, Nickel Bronze	\$128.50
F224P-TS5-1	4" Push On (Cast Iron)	5" Round, Nickel Bronze	\$128.50
F222P-TS6-1	2" Push On (Cast Iron)	6" Round, Nickel Bronze	\$152.50
F223P-TS6-1	3" Push On (Cast Iron)	6" Round, Nickel Bronze	\$152.50
F224P-TS6-1	4" Push On (Cast Iron)	6" Round, Nickel Bronze	\$152.50

MODEL #	OUTLET SIZE	STRAINER DIAMETER & MATERIAL	LIST PRICE
F222-30-TS5-1	2" PVC socket	5" Round, Nickel Bronze	\$63.50
F223-30-TS5-1	3" PVC socket	5" Round, Nickel Bronze	\$63.50
F224-30-TS5-1	4" PVC socket	5" Round, Nickel Bronze	\$63.50
F222-30-TS6-1	2" PVC socket	6" Round, Nickel Bronze	\$85.25
F223-30-TS6-1	3" PVC socket	6" Round, Nickel Bronze	\$85.25
F224-30-TS6-1	4" PVC socket	6" Round, Nickel Bronze	\$85.25
F222-31-TS5-1	2" ABS socket	5" Round, Nickel Bronze	\$63.50
F223-31-TS5-1	3" ABS socket	5" Round, Nickel Bronze	\$63.50
F224-31-TS5-1	4" ABS socket	5" Round, Nickel Bronze	\$63.50
F222-31-TS6-1	2" ABS socket	6" Round, Nickel Bronze	\$85.25
F223-31-TS6-1	3" ABS socket	6" Round, Nickel Bronze	\$85.25
F224-31-TS6-1	4" ABS socket	6" Round, Nickel Bronze	\$85.25
F222-TS5-1	2" No Hub (Cast Iron)	5" Round, Nickel Bronze	\$128.50
F223-TS5-1	3" No Hub (Cast Iron)	5" Round, Nickel Bronze	\$128.50
F224-TS5-1	4" No Hub (Cast Iron)	5" Round, Nickel Bronze	\$128.50
F222-TS6-1	2" No Hub (Cast Iron)	6" Round, Nickel Bronze	\$152.50
F223-TS6-1	3" No Hub (Cast Iron)	6" Round, Nickel Bronze	\$152.50
F224-TS6-1	4" No Hub (Cast Iron)	6" Round, Nickel Bronze	\$152.50

OPTIONAL VARIATIONS		
SUFFIX	DESCRIPTION	LIST PRICE
-6	Vandal Proof (H-1039A - 3 pieces)	\$7.50
-15	2" Cast Iron Extension Adapter	\$52.50

COUNTERLINE F100-TS TOP SET ROUND DOUBLE ADJUSTABLE FLOOR DRAIN w/FLANGE & COVER

Double adjustable Floor Drain with anchor flange and round strainer. 1/2" Trap Seal Primer tapping and plastic cover included with all bodies.



MODEL #	OUTLET SIZE	STRAINER DIAMETER & MATERIAL	LIST PRICE
F102P-TS5-1	2" Push On (Cast Iron)	5" Round, Nickel Bronze	\$101.00
F103P-TS5-1	3" Push On (Cast Iron)	5" Round, Nickel Bronze	\$101.00
F104P-TS5-1	4" Push On (Cast Iron)	5" Round, Nickel Bronze	\$101.00
F102P-TS6-1	2" Push On (Cast Iron)	6" Round, Nickel Bronze	\$125.25
F103P-TS6-1	3" Push On (Cast Iron)	6" Round, Nickel Bronze	\$125.25
F104P-TS6-1	4" Push On (Cast Iron)	6" Round, Nickel Bronze	\$125.25

OPTIONAL VARIATIONS		
SUFFIX	DESCRIPTION	LIST PRICE
-6	Vandal Proof (H-1039A - 3 pieces)	\$7.50
-15	2" Cast Iron Extension Adapter	\$52.50

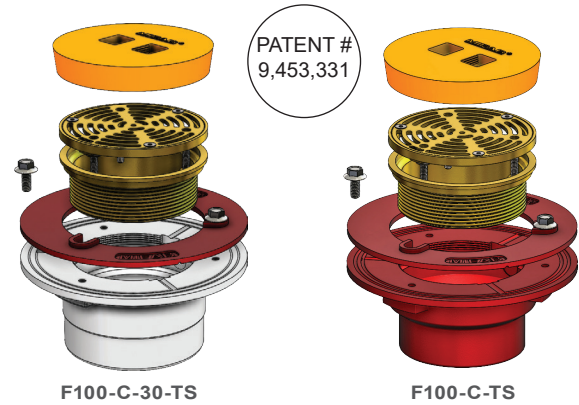
MODEL #	OUTLET SIZE	STRAINER DIAMETER & MATERIAL	LIST PRICE
F102-30-TS5-1	2" PVC socket	5" Round, Nickel Bronze	\$76.50
F103-30-TS5-1	3" PVC socket	5" Round, Nickel Bronze	\$76.50
F104-30-TS5-1	4" PVC socket	5" Round, Nickel Bronze	\$76.50
F102-30-TS6-1	2" PVC socket	6" Round, Nickel Bronze	\$92.25
F103-30-TS6-1	3" PVC socket	6" Round, Nickel Bronze	\$92.25
F104-30-TS6-1	4" PVC socket	6" Round, Nickel Bronze	\$92.25
F102-31-TS5-1	2" ABS socket	5" Round, Nickel Bronze	\$76.50
F103-31-TS5-1	3" ABS socket	5" Round, Nickel Bronze	\$76.50
F104-31-TS5-1	4" ABS socket	5" Round, Nickel Bronze	\$76.50
F102-31-TS6-1	2" ABS socket	6" Round, Nickel Bronze	\$92.25
F103-31-TS6-1	3" ABS socket	6" Round, Nickel Bronze	\$92.25
F104-31-TS6-1	4" ABS socket	6" Round, Nickel Bronze	\$92.25
F102-TS5-1	2" No Hub (Cast Iron)	5" Round, Nickel Bronze	\$101.00
F103-TS5-1	3" No Hub (Cast Iron)	5" Round, Nickel Bronze	\$101.00
F104-TS5-1	4" No Hub (Cast Iron)	5" Round, Nickel Bronze	\$101.00
F102-TS6-1	2" No Hub (Cast Iron)	6" Round, Nickel Bronze	\$125.25
F103-TS6-1	3" No Hub (Cast Iron)	6" Round, Nickel Bronze	\$125.25
F104-TS6-1	4" No Hub (Cast Iron)	6" Round, Nickel Bronze	\$125.25

CALIFORNIA PROPOSITION 65 WARNING. This product contains chemicals known to the State of California to cause cancer and birth defects or other reproductive harm.

COUNTERLINE F100-C-TS TOP SET ROUND DOUBLE ADJUSTABLE FLOOR DRAIN w/FLANGE, CLAMP & COVER

MODEL #	OUTLET SIZE	STRAINER DIAMETER & MATERIAL	LIST PRICE
F102-30-TS5-1	2" PVC socket	5" Round, Nickel Bronze	\$86.75
F103-30-TS5-1	3" PVC socket	5" Round, Nickel Bronze	\$86.75
F104-30-TS5-1	4" PVC socket	5" Round, Nickel Bronze	\$86.75
F102-30-TS6-1	2" PVC socket	6" Round, Nickel Bronze	\$102.50
F103-30-TS6-1	3" PVC socket	6" Round, Nickel Bronze	\$102.50
F104-30-TS6-1	4" PVC socket	6" Round, Nickel Bronze	\$102.50
F102-31-TS5-1	2" ABS socket	5" Round, Nickel Bronze	\$86.75
F103-31-TS5-1	3" ABS socket	5" Round, Nickel Bronze	\$86.75
F104-31-TS5-1	4" ABS socket	5" Round, Nickel Bronze	\$86.75
F102-31-TS6-1	2" ABS socket	6" Round, Nickel Bronze	\$102.50
F103-31-TS6-1	3" ABS socket	6" Round, Nickel Bronze	\$102.50
F104-31-TS6-1	4" ABS socket	6" Round, Nickel Bronze	\$102.50
F102-C-TS5-1	2" No Hub (Cast Iron)	5" Round, Nickel Bronze	\$111.50
F103-C-TS5-1	3" No Hub (Cast Iron)	5" Round, Nickel Bronze	\$111.50
F104-C-TS5-1	4" No Hub (Cast Iron)	5" Round, Nickel Bronze	\$111.50
F102-C-TS6-1	2" No Hub (Cast Iron)	6" Round, Nickel Bronze	\$135.75
F103-C-TS6-1	3" No Hub (Cast Iron)	6" Round, Nickel Bronze	\$135.75
F104-C-TS6-1	4" No Hub (Cast Iron)	6" Round, Nickel Bronze	\$135.75

Double adjustable Floor Drain with anchor flange, membrane clamp and round strainer. 1/2" Trap Seal Primer tapping and plastic cover included with all bodies.

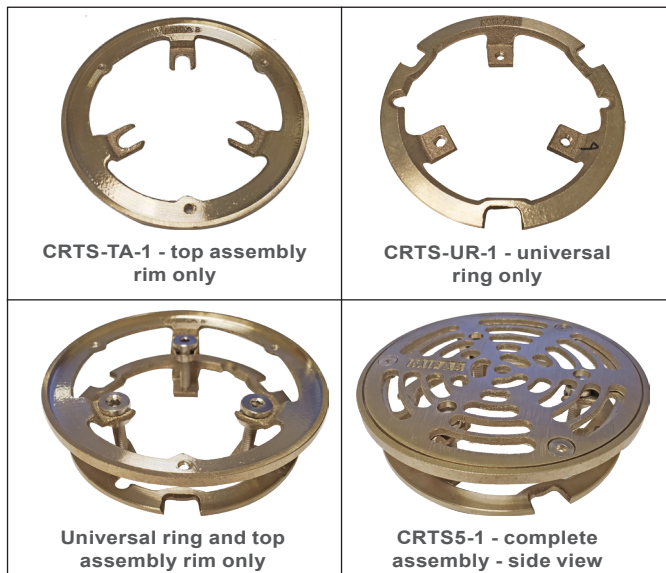


MODEL #	OUTLET SIZE	STRAINER DIAMETER & MATERIAL	LIST PRICE
F102P-C-TS5-1	2" Push On (Cast Iron)	5" Round, Nickel Bronze	\$111.50
F103P-C-TS5-1	3" Push On (Cast Iron)	5" Round, Nickel Bronze	\$111.50
F104P-C-TS5-1	4" Push On (Cast Iron)	5" Round, Nickel Bronze	\$111.50
F102P-C-TS6-1	2" Push On (Cast Iron)	6" Round, Nickel Bronze	\$135.75
F103P-C-TS6-1	3" Push On (Cast Iron)	6" Round, Nickel Bronze	\$135.75
F104P-C-TS6-1	4" Push On (Cast Iron)	6" Round, Nickel Bronze	\$135.75

OPTIONAL VARIATIONS		
SUFFIX	DESCRIPTION	LIST PRICE
-6	Vandal Proof (H-1039A - 3 pieces)	\$7.50
-15	2" Cast Iron Extension Adapter	\$52.50

COUNTERLINE CRTS5-1 TOP SET RETRO-FIT GRATE & FRAME

MIFAB's CRTS5-1 retro-fit ring and grate is designed to be placed into any JaSaWaZ 5" round floor drain strainer. Simply remove the existing JaSaWaZ grate, place the CRTS-UR-1 universal ring into the recessed area of the strainer and connect it with the screws provided. The CRTS5-1 frame and grate can then be vertically adjusted and also adjusted side to side to meet the finished floor. The CRTS6-1 is also available to be placed into any JaSaWaZ (Josam, Jay R. Smith, Wade and Zurn) 6" round strainers.



PATENT # 9,453,331



MODEL #	OUTLET SIZE	LIST PRICE
CRTS5-1	5" Diameter retro-fit ring and grate	\$57.75
CRTS6-1	6" Diameter retro-fit ring and grate	\$78.75

OPTIONAL VARIATIONS		
SUFFIX	DESCRIPTION	LIST PRICE
-6	Vandal Proof (H-1039A - 3 pieces)	\$7.50

Note: 3/16" allen key wrench needed to adjust Top Set screws.

CALIFORNIA PROPOSITION 65 WARNING. This product contains chemicals known to the State of California to cause cancer and birth defects or other reproductive harm.

Design and dimensions are subject to modification. Prices do not include applicable taxes.

Visit www.mifab.com for the most recent product information.

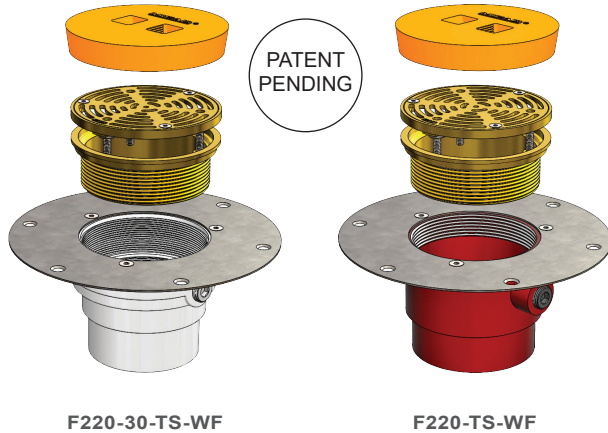
MIFAB®, Inc., 1321 West 119th Street, Chicago, Illinois 60643-5109, USA
All sales subject to MIFAB's® Terms and Warranties. Please refer to page 3.

Toll Free: 1-800-465-2736, Fax: 1-773-341-3049
sales@mifab.com Canada Toll Free: 1-800-387-3880

COUNTERLINE F220-TS-WF

TOP SET ROUND DOUBLE ADJUSTABLE FLOOR DRAIN WITH WOOD DECK FLANGE & COVER FOR INSTALLING ON WOOD DECK FLOORS

Double adjustable Floor Drain with no anchor flange for slab on grade installations and round strainer. 1/2" Trap Seal Primer tapping, plastic cover and wood deck flange included with all bodies.



F220-30-TS-WF

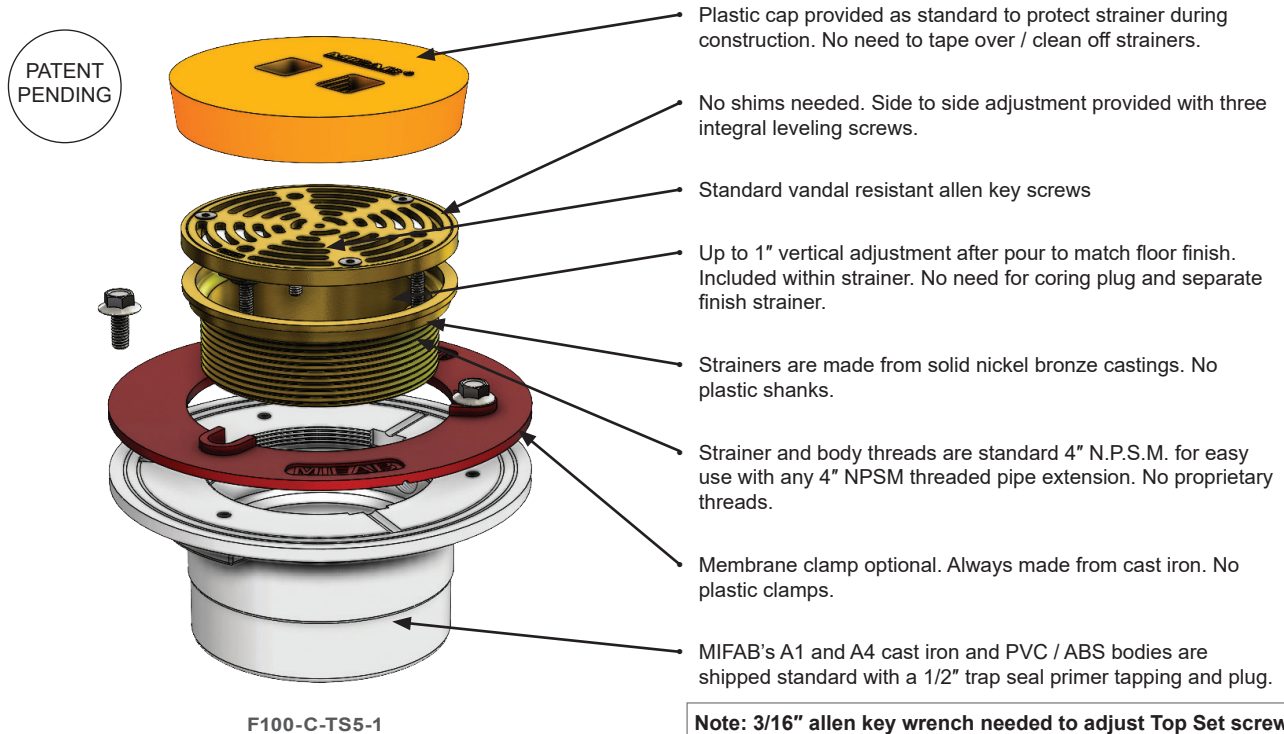
F220-TS-WF

MODEL #	OUTLET SIZE	STRAINER DIAMETER & MATERIAL	LIST PRICE
F222P-TS5-WF-1	2" Push On (Cast Iron)	5" Round, Nickel Bronze	\$148.75
F223P-TS5-WF-1	3" Push On (Cast Iron)	5" Round, Nickel Bronze	\$148.75
F224P-TS5-WF-1	4" Push On (Cast Iron)	5" Round, Nickel Bronze	\$148.75
F222P-TS6-WF-1	2" Push On (Cast Iron)	6" Round, Nickel Bronze	\$172.75
F223P-TS6-WF-1	3" Push On (Cast Iron)	6" Round, Nickel Bronze	\$172.75
F224P-TS6-WF-1	4" Push On (Cast Iron)	6" Round, Nickel Bronze	\$172.75

MODEL #	OUTLET SIZE	STRAINER DIAMETER & MATERIAL	LIST PRICE
F222-30-TS5-WF-1	2" PVC socket	5" Round, Nickel Bronze	\$92.50
F223-30-TS5-WF-1	3" PVC socket	5" Round, Nickel Bronze	\$92.50
F224-30-TS5-WF-1	4" PVC socket	5" Round, Nickel Bronze	\$92.50
F222-30-TS6-WF-1	2" PVC socket	6" Round, Nickel Bronze	\$114.50
F223-30-TS6-WF-1	3" PVC socket	6" Round, Nickel Bronze	\$114.50
F224-30-TS6-WF-1	4" PVC socket	6" Round, Nickel Bronze	\$114.50
F222-31-TS5-WF-1	2" ABS socket	5" Round, Nickel Bronze	\$92.50
F223-31-TS5-WF-1	3" ABS socket	5" Round, Nickel Bronze	\$92.50
F224-31-TS5-WF-1	4" ABS socket	5" Round, Nickel Bronze	\$92.50
F222-31-TS6-WF-1	2" ABS socket	6" Round, Nickel Bronze	\$114.50
F223-31-TS6-WF-1	3" ABS socket	6" Round, Nickel Bronze	\$114.50
F224-31-TS6-WF-1	4" ABS socket	6" Round, Nickel Bronze	\$114.50
F222-TS5-WF-1	2" No Hub (Cast Iron)	5" Round, Nickel Bronze	\$148.75
F223-TS5-WF-1	3" No Hub (Cast Iron)	5" Round, Nickel Bronze	\$148.75
F224-TS5-WF-1	4" No Hub (Cast Iron)	5" Round, Nickel Bronze	\$148.75
F222-TS6-WF-1	2" No Hub (Cast Iron)	6" Round, Nickel Bronze	\$172.75
F223-TS6-WF-1	3" No Hub (Cast Iron)	6" Round, Nickel Bronze	\$172.75
F224-TS6-WF-1	4" No Hub (Cast Iron)	6" Round, Nickel Bronze	\$172.75

OPTIONAL VARIATIONS		
SUFFIX	DESCRIPTION	LIST PRICE
-6	Vandal Proof (H-1039A - 3 pieces)	\$7.50
-15	2" Cast Iron Extension Adapter	\$52.50

FEATURES AND BENEFITS OF MIFAB'S TOP SET DRAINS



F100-C-TS5-1

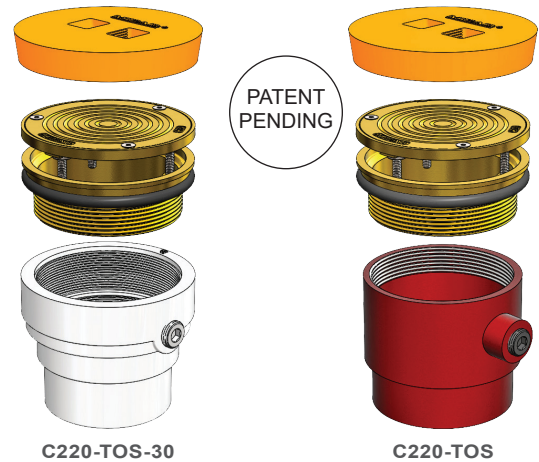
Note: 3/16" allen key wrench needed to adjust Top Set screws.

CALIFORNIA PROPOSITION 65 WARNING. This product contains chemicals known to the State of California to cause cancer and birth defects or other reproductive harm.

COUNTERLINE C220-TOS TOP SET ROUND DOUBLE ADJUSTABLE FLOOR CLEANOUT WITH COVER

MODEL #	OUTLET SIZE	COVER DIAMETER & MATERIAL	LIST PRICE
C222-TOS-1	2" No Hub (Cast Iron)	5" Round, Nickel Bronze	\$168.00
C223-TOS-1	3" No Hub (Cast Iron)	5" Round, Nickel Bronze	\$168.00
C224-TOS-1	4" No Hub (Cast Iron)	5" Round, Nickel Bronze	\$168.00
C222P-TOS-1	2" Push On (Cast Iron)	5" Round, Nickel Bronze	\$168.00
C223P-TOS-1	3" Push On (Cast Iron)	5" Round, Nickel Bronze	\$168.00
C224P-TOS-1	4" Push On (Cast Iron)	5" Round, Nickel Bronze	\$168.00
C222-30-TOS-1	2" PVC Socket	5" Round, Nickel Bronze	\$106.00
C223-30-TOS-1	3" PVC Socket	5" Round, Nickel Bronze	\$106.00
C224-30-TOS-1	4" PVC Socket	5" Round, Nickel Bronze	\$106.00
C222-31-TOS-1	2" ABS Socket	5" Round, Nickel Bronze	\$106.00
C223-31-TOS-1	3" ABS Socket	5" Round, Nickel Bronze	\$106.00
C224-31-TOS-1	4" ABS Socket	5" Round, Nickel Bronze	\$106.00

Double adjustable cleanout with no anchor flange for slab on grade installations and round cleanout top assembly with plastic secondary closure plug. Plastic cover included.

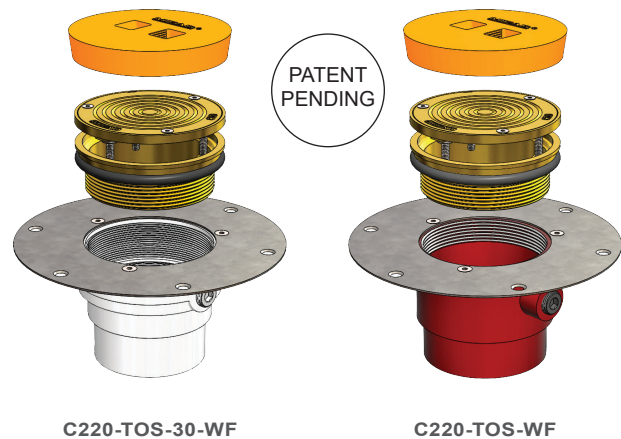


OPTIONAL VARIATIONS		
SUFFIX	DESCRIPTION	LIST PRICE
-6	Vandal Proof (H-1039A - 3 Pieces)	\$7.50
-15	2" Cast Iron Extension Adapter	\$52.50
-34B	Brass closure plug	\$10.50
-RC	Carpet Marker	\$12.50

COUNTERLINE C220-TOS-WF TOP SET ROUND DOUBLE ADJUSTABLE FLOOR CLEANOUT WITH WOOD DECK FLANGE & COVER

MODEL #	OUTLET SIZE	COVER DIAMETER & MATERIAL	LIST PRICE
C222-TOS-WF-1	2" No Hub (Cast Iron)	5" Round, Nickel Bronze	\$170.50
C223-TOS-WF-1	3" No Hub (Cast Iron)	5" Round, Nickel Bronze	\$170.50
C224-TOS-WF-1	4" No Hub (Cast Iron)	5" Round, Nickel Bronze	\$170.50
C222P-TOS-WF-1	2" Push On (Cast Iron)	5" Round, Nickel Bronze	\$170.50
C223P-TOS-WF-1	3" Push On (Cast Iron)	5" Round, Nickel Bronze	\$170.50
C224P-TOS-WF-1	4" Push On (Cast Iron)	5" Round, Nickel Bronze	\$170.50
C222-30-TOS-WF-1	2" PVC Socket	5" Round, Nickel Bronze	\$111.00
C223-30-TOS-WF-1	3" PVC Socket	5" Round, Nickel Bronze	\$111.00
C224-30-TOS-WF-1	4" PVC Socket	5" Round, Nickel Bronze	\$111.00
C222-31-TOS-WF-1	2" ABS Socket	5" Round, Nickel Bronze	\$111.00
C223-31-TOS-WF-1	3" ABS Socket	5" Round, Nickel Bronze	\$111.00
C224-31-TOS-WF-1	4" ABS Socket	5" Round, Nickel Bronze	\$111.00

Double adjustable cleanout with wood deck flange for wood deck installations and round cleanout top assembly with plastic secondary closure plug. Plastic cover included.



OPTIONAL VARIATIONS		
SUFFIX	DESCRIPTION	LIST PRICE
-6	Vandal Proof (H-1039A - 3 Pieces)	\$7.50
-15	2" Cast Iron Extension Adapter	\$52.50
-34B	Brass closure plug	\$10.50
-RC	Carpet Marker	\$12.50

CALIFORNIA PROPOSITION 65 WARNING. This product contains chemicals known to the State of California to cause cancer and birth defects or other reproductive harm.

Design and dimensions are subject to modification. Prices do not include applicable taxes.

Visit www.mifab.com for the most recent product information.

MIFAB®, Inc., 1321 West 119th Street, Chicago, Illinois 60643-5109, USA
All sales subject to MIFAB's® Terms and Warranties. Please refer to page 3.

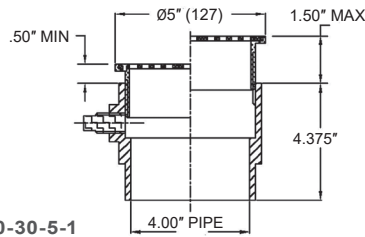
Toll Free: 1-800-465-2736, Fax: 1-773-341-3049
sales@mifab.com Canada Toll Free: 1-800-387-3880

COUNTERLINE F220

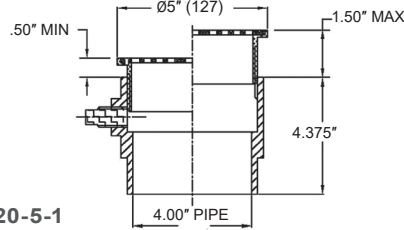
ROUND ADJUSTABLE FLOOR DRAIN



F220-30-5-1



F220-5-1



Adjustable Floor Drain with no anchor flange for slab on grade installations and Round Strainer. 1/2" Trap Seal Primer tapping included with all bodies.

"Our customers prefer MIFAB Counterline Products. Great price point and quality."

– Neil Werner, Desert Industrial Supply, Pasadena, CA

MODEL #	OUTLET SIZE	STRAINER DIAMETER & MATERIAL	LIST PRICE
F222P-5-1	2" Push On (Cast Iron)	5" Round, Nickel Bronze	\$112.50
F223P-5-1	3" Push On (Cast Iron)	5" Round, Nickel Bronze	\$112.50
F224P-5-1	4" Push On (Cast Iron)	5" Round, Nickel Bronze	\$112.50
F222P-6-1	2" Push On (Cast Iron)	6" Round, Nickel Bronze	\$138.50
F223P-6-1	3" Push On (Cast Iron)	6" Round, Nickel Bronze	\$138.50
F224P-6-1	4" Push On (Cast Iron)	6" Round, Nickel Bronze	\$138.50
F222P-5-4	2" Push On (Cast Iron)	5" Round, Ductile Iron	\$101.00
F223P-5-4	3" Push On (Cast Iron)	5" Round, Ductile Iron	\$101.00
F224P-5-4	4" Push On (Cast Iron)	5" Round, Ductile Iron	\$101.00

OPTIONAL VARIATIONS

SUFFIX	DESCRIPTION	LIST PRICE
-6	Vandal Proof (H-1039A - 3 pieces)	\$7.50

MODEL #	OUTLET SIZE	STRAINER DIAMETER & MATERIAL	LIST PRICE
F222-30-5-1	2" PVC socket	5" Round, Nickel Bronze	\$63.50
F223-30-5-1	3" PVC socket	5" Round, Nickel Bronze	\$63.50
F224-30-5-1	4" PVC socket	5" Round, Nickel Bronze	\$63.50
F222-30-6-1	2" PVC socket	6" Round, Nickel Bronze	\$85.25
F223-30-6-1	3" PVC socket	6" Round, Nickel Bronze	\$85.25
F224-30-6-1	4" PVC socket	6" Round, Nickel Bronze	\$85.25
F222-30-5-4	2" PVC socket	5" Round, Ductile Iron	\$57.75
F223-30-5-4	3" PVC socket	5" Round, Ductile Iron	\$57.75
F224-30-5-4	4" PVC socket	5" Round, Ductile Iron	\$57.75
F222-31-5-1	2" ABS socket	5" Round, Nickel Bronze	\$63.50
F223-31-5-1	3" ABS socket	5" Round, Nickel Bronze	\$63.50
F224-31-5-1	4" ABS socket	5" Round, Nickel Bronze	\$63.50
F222-31-6-1	2" ABS socket	6" Round, Nickel Bronze	\$85.25
F223-31-6-1	3" ABS socket	6" Round, Nickel Bronze	\$85.25
F224-31-6-1	4" ABS socket	6" Round, Nickel Bronze	\$85.25
F222-31-5-4	2" ABS socket	5" Round, Ductile Iron	\$57.75
F223-31-5-4	3" ABS socket	5" Round, Ductile Iron	\$57.75
F224-31-5-4	4" ABS socket	5" Round, Ductile Iron	\$57.75
F222-5-1	2" No Hub (Cast Iron)	5" Round, Nickel Bronze	\$107.00
F223-5-1	3" No Hub (Cast Iron)	5" Round, Nickel Bronze	\$107.00
F224-5-1	4" No Hub (Cast Iron)	5" Round, Nickel Bronze	\$107.00
F222-6-1	2" No Hub (Cast Iron)	6" Round, Nickel Bronze	\$132.25
F223-6-1	3" No Hub (Cast Iron)	6" Round, Nickel Bronze	\$132.25
F224-6-1	4" No Hub (Cast Iron)	6" Round, Nickel Bronze	\$132.25
F222-5-4	2" No Hub (Cast Iron)	5" Round, Ductile Iron	\$94.50
F223-5-4	3" No Hub (Cast Iron)	5" Round, Ductile Iron	\$94.50
F224-5-4	4" No Hub (Cast Iron)	5" Round, Ductile Iron	\$94.50

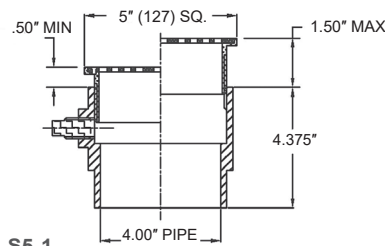
COUNTERLINE F220-S

SQUARE ADJUSTABLE FLOOR DRAIN

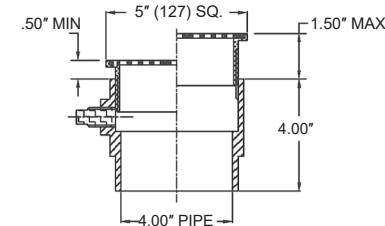
Adjustable Floor Drain with no anchor flange for slab on grade installations and Square Strainer. 1/2" Trap Seal Primer tapping included with all bodies.



F220-30-S5-1



F220-S5-1



SUFFIX	DESCRIPTION	LIST PRICE
-6	Vandal Proof (H-1039A - 4 pieces)	\$7.50

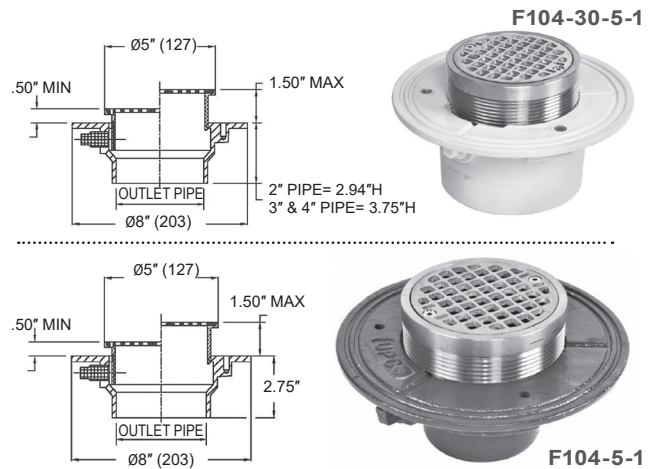
MODEL #	OUTLET SIZE	STRAINER SIZE & MATERIAL	LIST PRICE
F222-30-S5-1	2" PVC socket	5" Square, Nickel Bronze	\$96.50
F223-30-S5-1	3" PVC socket	5" Square, Nickel Bronze	\$96.50
F224-30-S5-1	4" PVC socket	5" Square, Nickel Bronze	\$96.50
F222-30-S6-1	2" PVC socket	6" Square, Nickel Bronze	\$121.75
F223-30-S6-1	3" PVC socket	6" Square, Nickel Bronze	\$121.75
F224-30-S6-1	4" PVC socket	6" Square, Nickel Bronze	\$121.75
F222-31-S5-1	2" ABS socket	5" Square, Nickel Bronze	\$96.50
F223-31-S5-1	3" ABS socket	5" Square, Nickel Bronze	\$96.50
F224-31-S5-1	4" ABS socket	5" Square, Nickel Bronze	\$96.50
F222-31-S6-1	2" ABS socket	6" Square, Nickel Bronze	\$121.75
F223-31-S6-1	3" ABS socket	6" Square, Nickel Bronze	\$121.75
F224-31-S6-1	4" ABS socket	6" Square, Nickel Bronze	\$121.75
F222-S5-1	2" No Hub (Cast Iron)	5" Square, Nickel Bronze	\$121.75
F223-S5-1	3" No Hub (Cast Iron)	5" Square, Nickel Bronze	\$121.75
F224-S5-1	4" No Hub (Cast Iron)	5" Square, Nickel Bronze	\$121.75
F222-S6-1	2" No Hub (Cast Iron)	6" Square, Nickel Bronze	\$148.00
F223-S6-1	3" No Hub (Cast Iron)	6" Square, Nickel Bronze	\$148.00
F224-S6-1	4" No Hub (Cast Iron)	6" Square, Nickel Bronze	\$148.00
F222P-S5-1	2" Push On (Cast Iron)	5" Square, Nickel Bronze	\$127.00
F223P-S5-1	3" Push On (Cast Iron)	5" Square, Nickel Bronze	\$127.00
F224P-S5-1	4" Push On (Cast Iron)	5" Square, Nickel Bronze	\$127.00
F222P-S6-1	2" Push On (Cast Iron)	6" Square, Nickel Bronze	\$156.50
F223P-S6-1	3" Push On (Cast Iron)	6" Square, Nickel Bronze	\$156.50
F224P-S6-1	4" Push On (Cast Iron)	6" Square, Nickel Bronze	\$156.50

CALIFORNIA PROPOSITION 65 WARNING. This product contains chemicals known to the State of California to cause cancer and birth defects or other reproductive harm.

COUNTERLINE F100 ROUND ADJUSTABLE FLOOR DRAIN w/ FLANGE

Adjustable Floor Drain with anchor flange and Round Strainer.
 1/2" Trap Seal Primer tapping included with all bodies.

MODEL #	OUTLET SIZE	STRAINER DIAMETER & MATERIAL	LIST PRICE
F102-30-5-1	2" PVC socket	5" Round, Nickel Bronze	\$73.50
F103-30-5-1	3" PVC socket	5" Round, Nickel Bronze	\$73.50
F104-30-5-1	4" PVC socket	5" Round, Nickel Bronze	\$73.50
F102-30-6-1	2" PVC socket	6" Round, Nickel Bronze	\$92.25
F103-30-6-1	3" PVC socket	6" Round, Nickel Bronze	\$92.25
F104-30-6-1	4" PVC socket	6" Round, Nickel Bronze	\$92.25
F102-30-5-4	2" PVC socket	5" Round, Ductile Iron	\$79.75
F103-30-5-4	3" PVC socket	5" Round, Ductile Iron	\$79.75
F104-30-5-4	4" PVC socket	5" Round, Ductile Iron	\$79.75
F102-31-5-1	2" ABS socket	5" Round, Nickel Bronze	\$73.50
F103-31-5-1	3" ABS socket	5" Round, Nickel Bronze	\$73.50
F104-31-5-1	4" ABS socket	5" Round, Nickel Bronze	\$73.50
F102-31-6-1	2" ABS socket	6" Round, Nickel Bronze	\$92.25
F103-31-6-1	3" ABS socket	6" Round, Nickel Bronze	\$92.25
F104-31-6-1	4" ABS socket	6" Round, Nickel Bronze	\$92.25
F102-31-5-4	2" ABS socket	5" Round, Ductile Iron	\$79.75
F103-31-5-4	3" ABS socket	5" Round, Ductile Iron	\$79.75
F104-31-5-4	4" ABS socket	5" Round, Ductile Iron	\$79.75
F102-5-1	2" No Hub (Cast Iron)	5" Round, Nickel Bronze	\$101.00
F103-5-1	3" No Hub (Cast Iron)	5" Round, Nickel Bronze	\$101.00
F104-5-1	4" No Hub (Cast Iron)	5" Round, Nickel Bronze	\$101.00
F102-6-1	2" No Hub (Cast Iron)	6" Round, Nickel Bronze	\$125.25
F103-6-1	3" No Hub (Cast Iron)	6" Round, Nickel Bronze	\$125.25
F104-6-1	4" No Hub (Cast Iron)	6" Round, Nickel Bronze	\$125.25
F102-5-4	2" No Hub (Cast Iron)	5" Round, Ductile Iron	\$99.75
F103-5-4	3" No Hub (Cast Iron)	5" Round, Ductile Iron	\$99.75
F104-5-4	4" No Hub (Cast Iron)	5" Round, Ductile Iron	\$99.75



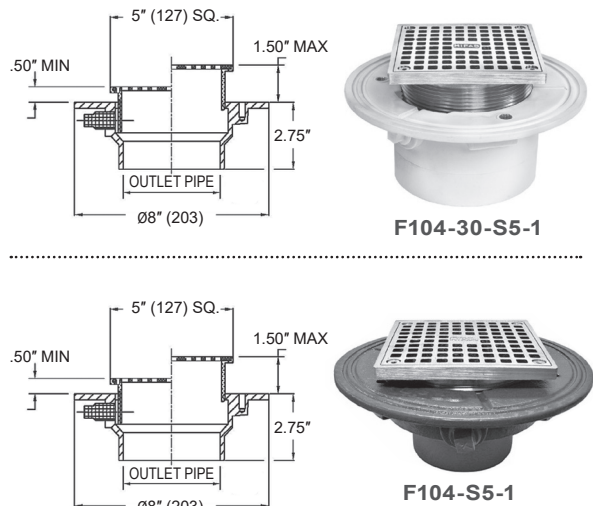
MODEL #	OUTLET SIZE	STRAINER DIAMETER & MATERIAL	LIST PRICE
F102P-5-1	2" Push On (Cast Iron)	5" Round, Nickel Bronze	\$101.00
F103P-5-1	3" Push On (Cast Iron)	5" Round, Nickel Bronze	\$101.00
F104P-5-1	4" Push On (Cast Iron)	5" Round, Nickel Bronze	\$101.00
F102P-6-1	2" Push On (Cast Iron)	6" Round, Nickel Bronze	\$125.25
F103P-6-1	3" Push On (Cast Iron)	6" Round, Nickel Bronze	\$125.25
F104P-6-1	4" Push On (Cast Iron)	6" Round, Nickel Bronze	\$125.25
F102P-5-4	2" Push On (Cast Iron)	5" Round, Ductile Iron	\$105.00
F103P-5-4	3" Push On (Cast Iron)	5" Round, Ductile Iron	\$105.00
F104P-5-4	4" Push On (Cast Iron)	5" Round, Ductile Iron	\$105.00

OPTIONAL VARIATIONS		
SUFFIX	DESCRIPTION	LIST PRICE
-6	Vandal Proof (H-1039A - 3 pieces)	\$7.50

COUNTERLINE F100-S SQUARE ADJUSTABLE FLOOR DRAIN w/ FLANGE

MODEL #	OUTLET SIZE	STRAINER SIZE & MATERIAL	LIST PRICE
F102-30-S5-1	2" PVC socket	5" Square, Nickel Bronze	\$95.50
F103-30-S5-1	3" PVC socket	5" Square, Nickel Bronze	\$95.50
F104-30-S5-1	4" PVC socket	5" Square, Nickel Bronze	\$95.50
F102-30-S6-1	2" PVC socket	6" Square, Nickel Bronze	\$122.75
F103-30-S6-1	3" PVC socket	6" Square, Nickel Bronze	\$122.75
F104-30-S6-1	4" PVC socket	6" Square, Nickel Bronze	\$122.75
F102-31-S5-1	2" ABS socket	5" Square, Nickel Bronze	\$95.50
F103-31-S5-1	3" ABS socket	5" Square, Nickel Bronze	\$95.50
F104-31-S5-1	4" ABS socket	5" Square, Nickel Bronze	\$95.50
F102-31-S6-1	2" ABS socket	6" Square, Nickel Bronze	\$122.75
F103-31-S6-1	3" ABS socket	6" Square, Nickel Bronze	\$122.75
F104-31-S6-1	4" ABS socket	6" Square, Nickel Bronze	\$122.75
F102-S5-1	2" No Hub (Cast Iron)	5" Square, Nickel Bronze	\$113.50
F103-S5-1	3" No Hub (Cast Iron)	5" Square, Nickel Bronze	\$113.50
F104-S5-1	4" No Hub (Cast Iron)	5" Square, Nickel Bronze	\$113.50
F102-S6-1	2" No Hub (Cast Iron)	6" Square, Nickel Bronze	\$139.75
F103-S6-1	3" No Hub (Cast Iron)	6" Square, Nickel Bronze	\$139.75
F104-S6-1	4" No Hub (Cast Iron)	6" Square, Nickel Bronze	\$139.75
F102P-S5-1	2" Push On (Cast Iron)	5" Square, Nickel Bronze	\$118.75
F103P-S5-1	3" Push On (Cast Iron)	5" Square, Nickel Bronze	\$118.75
F104P-S5-1	4" Push On (Cast Iron)	5" Square, Nickel Bronze	\$118.75
F102P-S6-1	2" Push On (Cast Iron)	6" Square, Nickel Bronze	\$147.00
F103P-S6-1	3" Push On (Cast Iron)	6" Square, Nickel Bronze	\$147.00
F104P-S6-1	4" Push On (Cast Iron)	6" Square, Nickel Bronze	\$147.00

Adjustable Floor Drain with anchor flange and Square Strainer.
 1/2" Trap Seal Primer tapping included with all bodies.



OPTIONAL VARIATIONS		
SUFFIX	DESCRIPTION	LIST PRICE
-6	Vandal Proof (H-1039A - 4 pieces)	\$7.50

CALIFORNIA PROPOSITION 65 WARNING. This product contains chemicals known to the State of California to cause cancer and birth defects or other reproductive harm.

Design and dimensions are subject to modification. Prices do not include applicable taxes.

Visit www.mifab.com for the most recent product information.

MIFAB®, Inc., 1321 West 119th Street, Chicago, Illinois 60643-5109, USA

Toll Free: 1-800-465-2736, Fax: 1-773-341-3049

All sales subject to MIFAB's® Terms and Warranties. Please refer to page 3.

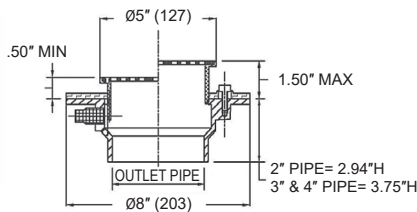
sales@mifab.com Canada Toll Free: 1-800-387-3880

COUNTERLINE F100-C

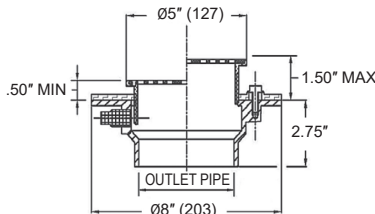
ROUND ADJUSTABLE FLOOR DRAIN with FLANGE & CLAMP



F104-30-C-5-1



F104-C-5-1



MODEL #	OUTLET SIZE	STRAINER DIAMETER & MATERIAL	LIST PRICE
F102P-C-5-1	2" Push On (Cast Iron)	5" Round, Nickel Bronze	\$110.25
F103P-C-5-1	3" Push On (Cast Iron)	5" Round, Nickel Bronze	\$110.25
F104P-C-5-1	4" Push On (Cast Iron)	5" Round, Nickel Bronze	\$110.25
F102P-C-6-1	2" Push On (Cast Iron)	6" Round, Nickel Bronze	\$135.75
F103P-C-6-1	3" Push On (Cast Iron)	6" Round, Nickel Bronze	\$135.75
F104P-C-6-1	4" Push On (Cast Iron)	6" Round, Nickel Bronze	\$135.75
F102P-C-5-4	2" Push On (Cast Iron)	5" Round, Ductile Iron	\$101.75
F103P-C-5-4	3" Push On (Cast Iron)	5" Round, Ductile Iron	\$101.75
F104P-C-5-4	4" Push On (Cast Iron)	5" Round, Ductile Iron	\$101.75

OPTIONAL VARIATIONS

SUFFIX	DESCRIPTION	LIST PRICE
-6	Vandal Proof (H-1039A - 3 pieces)	\$7.50

Adjustable Floor Drain with anchor flange, membrane clamp and Round Strainer. 1/2" Trap Seal Primer tapping included with all bodies.

MODEL #	OUTLET SIZE	STRAINER DIAMETER & MATERIAL	LIST PRICE
F102-30-C-5-1	2" PVC socket	5" Round, Nickel Bronze	\$85.00
F103-30-C-5-1	3" PVC socket	5" Round, Nickel Bronze	\$85.00
F104-30-C-5-1	4" PVC socket	5" Round, Nickel Bronze	\$85.00
F102-30-C-6-1	2" PVC socket	6" Round, Nickel Bronze	\$102.75
F103-30-C-6-1	3" PVC socket	6" Round, Nickel Bronze	\$102.75
F104-30-C-6-1	4" PVC socket	6" Round, Nickel Bronze	\$102.75
F102-30-C-5-4	2" PVC socket	5" Round, Ductile Iron	\$79.75
F103-30-C-5-4	3" PVC socket	5" Round, Ductile Iron	\$79.75
F104-30-C-5-4	4" PVC socket	5" Round, Ductile Iron	\$79.75
F102-31-C-5-1	2" ABS socket	5" Round, Nickel Bronze	\$85.00
F103-31-C-5-1	3" ABS socket	5" Round, Nickel Bronze	\$85.00
F104-31-C-5-1	4" ABS socket	5" Round, Nickel Bronze	\$85.00
F102-31-C-6-1	2" ABS socket	6" Round, Nickel Bronze	\$102.75
F103-31-C-6-1	3" ABS socket	6" Round, Nickel Bronze	\$102.75
F104-31-C-6-1	4" ABS socket	6" Round, Nickel Bronze	\$102.75
F102-31-C-5-4	2" ABS socket	5" Round, Ductile Iron	\$79.75
F103-31-C-5-4	3" ABS socket	5" Round, Ductile Iron	\$79.75
F104-31-C-5-4	4" ABS socket	5" Round, Ductile Iron	\$79.75
F102-C-5-1	2" No Hub (Cast Iron)	5" Round, Nickel Bronze	\$104.00
F103-C-5-1	3" No Hub (Cast Iron)	5" Round, Nickel Bronze	\$104.00
F104-C-5-1	4" No Hub (Cast Iron)	5" Round, Nickel Bronze	\$104.00
F102-C-6-1	2" No Hub (Cast Iron)	6" Round, Nickel Bronze	\$130.25
F103-C-6-1	3" No Hub (Cast Iron)	6" Round, Nickel Bronze	\$130.25
F104-C-6-1	4" No Hub (Cast Iron)	6" Round, Nickel Bronze	\$130.25
F102-C-5-4	2" No Hub (Cast Iron)	5" Round, Ductile Iron	\$99.75
F103-C-5-4	3" No Hub (Cast Iron)	5" Round, Ductile Iron	\$99.75
F104-C-5-4	4" No Hub (Cast Iron)	5" Round, Ductile Iron	\$99.75

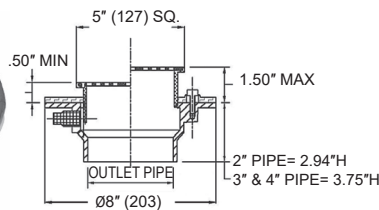
COUNTERLINE F100-C-S

SQUARE ADJUSTABLE FLOOR DRAIN with FLANGE & CLAMP

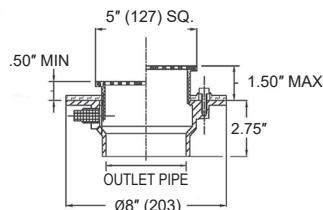
Adjustable Floor Drain with anchor flange, membrane clamp and Square Strainer. 1/2" Trap Seal Primer tapping included with all bodies.



F104-30-C-S5-1



F104-C-S5-1



SUFFIX	DESCRIPTION	LIST PRICE
-6	Vandal Proof (H-1039A - 4 pieces)	\$7.50

MODEL #	OUTLET SIZE	STRAINER SIZE & MATERIAL	LIST PRICE
F102-30-C-S5-1	2" PVC socket	5" Square, Nickel Bronze	\$107.00
F103-30-C-S5-1	3" PVC socket	5" Square, Nickel Bronze	\$107.00
F104-30-C-S5-1	4" PVC socket	5" Square, Nickel Bronze	\$107.00
F102-30-C-S6-1	2" PVC socket	6" Square, Nickel Bronze	\$129.25
F103-30-C-S6-1	3" PVC socket	6" Square, Nickel Bronze	\$129.25
F104-30-C-S6-1	4" PVC socket	6" Square, Nickel Bronze	\$129.25
F102-31-C-S5-1	2" ABS socket	5" Square, Nickel Bronze	\$107.00
F103-31-C-S5-1	3" ABS socket	5" Square, Nickel Bronze	\$107.00
F104-31-C-S5-1	4" ABS socket	5" Square, Nickel Bronze	\$107.00
F102-31-C-S6-1	2" ABS socket	6" Square, Nickel Bronze	\$129.25
F103-31-C-S6-1	3" ABS socket	6" Square, Nickel Bronze	\$129.25
F104-31-C-S6-1	4" ABS socket	6" Square, Nickel Bronze	\$129.25
F102-C-S5-1	2" No Hub (Cast Iron)	5" Square, Nickel Bronze	\$126.00
F103-C-S5-1	3" No Hub (Cast Iron)	5" Square, Nickel Bronze	\$126.00
F104-C-S5-1	4" No Hub (Cast Iron)	5" Square, Nickel Bronze	\$126.00
F102-C-S6-1	2" No Hub (Cast Iron)	6" Square, Nickel Bronze	\$152.25
F103-C-S6-1	3" No Hub (Cast Iron)	6" Square, Nickel Bronze	\$152.25
F104-C-S6-1	4" No Hub (Cast Iron)	6" Square, Nickel Bronze	\$152.25
F102P-C-S5-1	2" Push On (Cast Iron)	5" Square, Nickel Bronze	\$131.25
F103P-C-S5-1	3" Push On (Cast Iron)	5" Square, Nickel Bronze	\$131.25
F104P-C-S5-1	4" Push On (Cast Iron)	5" Square, Nickel Bronze	\$131.25
F102P-C-S6-1	2" Push On (Cast Iron)	6" Square, Nickel Bronze	\$157.50
F103P-C-S6-1	3" Push On (Cast Iron)	6" Square, Nickel Bronze	\$157.50
F104P-C-S6-1	4" Push On (Cast Iron)	6" Square, Nickel Bronze	\$157.50

CALIFORNIA PROPOSITION 65 WARNING. This product contains chemicals known to the State of California to cause cancer and birth defects or other reproductive harm.

COUNTERLINE F300

7" ROUND ADJUSTABLE AREA DRAIN

Adjustable Area Drain with anchor flange and 7" Round Strainer.
1/2" Trap Seal Primer tapping included with all bodies.

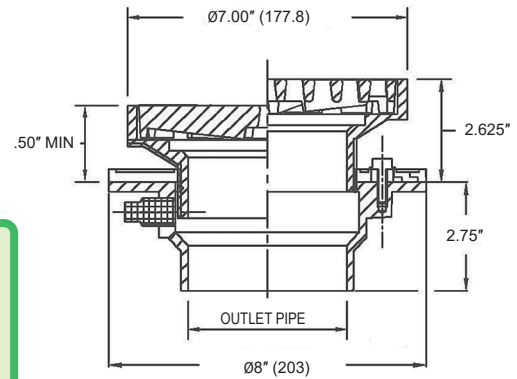
MODEL #	OUTLET SIZE	STRAINER DIAMETER & MATERIAL	LIST PRICE
F302-30-4	2" PVC socket	7" Round, Ductile Iron	\$121.75
F303-30-4	3" PVC socket	7" Round, Ductile Iron	\$121.75
F304-30-4	4" PVC socket	7" Round, Ductile Iron	\$121.75
F302-31-4	2" ABS socket	7" Round, Ductile Iron	\$121.75
F303-31-4	3" ABS socket	7" Round, Ductile Iron	\$121.75
F304-31-4	4" ABS socket	7" Round, Ductile Iron	\$121.75
F302-4	2" No Hub (Cast Iron)	7" Round, Ductile Iron	\$143.75
F303-4	3" No Hub (Cast Iron)	7" Round, Ductile Iron	\$143.75
F304-4	4" No Hub (Cast Iron)	7" Round, Ductile Iron	\$143.75
F302P-4	2" Push On (Cast Iron)	7" Round, Ductile Iron	\$143.75
F303P-4	3" Push On (Cast Iron)	7" Round, Ductile Iron	\$143.75
F304P-4	4" Push On (Cast Iron)	7" Round, Ductile Iron	\$143.75

OPTIONAL VARIATIONS		
SUFFIX	DESCRIPTION	LIST PRICE
-6	Vandal Proof (H-1072 - 1 piece)	\$17.00
-C	Membrane Clamp (A1-C1)	\$17.00

"I always supply my customers with MIFAB area drains because they come standard with ductile iron grates (not cast iron). They offer the best quality up front!"

– Dave Becker, VP Plumbing Products, Chesapeake Systems, Baltimore, MD

F303-30-4



COUNTERLINE F320

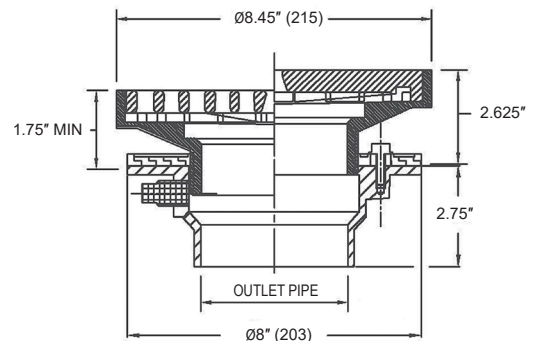
9" ROUND ADJUSTABLE AREA DRAIN

Adjustable Area Drain with anchor flange and 9" Round Strainer.
1/2" Trap Seal Primer tapping included with all bodies.

MODEL #	OUTLET SIZE	STRAINER DIAMETER & MATERIAL	LIST PRICE
F322-30-4	2" PVC socket	9" Round, Ductile Iron	\$150.25
F323-30-4	3" PVC socket	9" Round, Ductile Iron	\$150.25
F324-30-4	4" PVC socket	9" Round, Ductile Iron	\$150.25
F322-31-4	2" ABS socket	9" Round, Ductile Iron	\$150.25
F323-31-4	3" ABS socket	9" Round, Ductile Iron	\$150.25
F324-31-4	4" ABS socket	9" Round, Ductile Iron	\$150.25
F322-4	2" No Hub (Cast Iron)	9" Round, Ductile Iron	\$161.75
F323-4	3" No Hub (Cast Iron)	9" Round, Ductile Iron	\$161.75
F324-4	4" No Hub (Cast Iron)	9" Round, Ductile Iron	\$161.75
F322P-4	2" Push On (Cast Iron)	9" Round, Ductile Iron	\$161.75
F323P-4	3" Push On (Cast Iron)	9" Round, Ductile Iron	\$161.75
F324P-4	4" Push On (Cast Iron)	9" Round, Ductile Iron	\$161.75

OPTIONAL VARIATIONS		
SUFFIX	DESCRIPTION	LIST PRICE
-6	Vandal Proof (H-1072 - 1 piece)	\$17.00
-C	Membrane Clamp (A1-C1)	\$17.00

F324-30-4



CALIFORNIA PROPOSITION 65 WARNING. This product contains chemicals known to the State of California to cause cancer and birth defects or other reproductive harm.

Design and dimensions are subject to modification. Prices do not include applicable taxes.

Visit www.mifab.com for the most recent product information.

MIFAB®, Inc., 1321 West 119th Street, Chicago, Illinois 60643-5109, USA
All sales subject to MIFAB's® Terms and Warranties. Please refer to page 3.

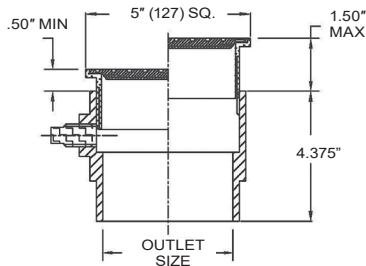
Toll Free: 1-800-465-2736, Fax: 1-773-341-3049
sales@mifab.com Canada Toll Free: 1-800-387-3880

COUNTERLINE C220-R

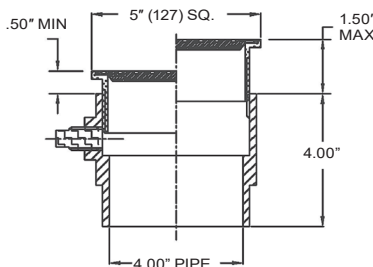
5" ROUND ADJUSTABLE FLOOR CLEANOUT



C224-30-R-4



C224-R-1



Adjustable Floor Cleanout with Round Top Assembly.

MODEL #	OUTLET SIZE	TOP ASSEMBLY DIAMETER & MATERIAL	LIST PRICE
C222-30-R-1	2" PVC socket	5" Round, Nickel Bronze	\$90.25
C223-30-R-1	3" PVC socket	5" Round, Nickel Bronze	\$90.25
C224-30-R-1	4" PVC socket	5" Round, Nickel Bronze	\$90.25
C222-30-R-4	2" PVC socket	5" Round, Ductile Iron	\$68.25
C223-30-R-4	3" PVC socket	5" Round, Ductile Iron	\$68.25
C224-30-R-4	4" PVC socket	5" Round, Ductile Iron	\$68.25
C222-31-R-1	2" ABS socket	5" Round, Nickel Bronze	\$90.25
C223-31-R-1	3" ABS socket	5" Round, Nickel Bronze	\$90.25
C224-31-R-1	4" ABS socket	5" Round, Nickel Bronze	\$90.25
C222-31-R-4	2" ABS socket	5" Round, Ductile Iron	\$68.25
C223-31-R-4	3" ABS socket	5" Round, Ductile Iron	\$68.25
C224-31-R-4	4" ABS socket	5" Round, Ductile Iron	\$68.25
C222-R-1	2" No Hub (Cast Iron)	5" Round, Nickel Bronze	\$110.25
C223-R-1	3" No Hub (Cast Iron)	5" Round, Nickel Bronze	\$110.25
C224-R-1	4" No Hub (Cast Iron)	5" Round, Nickel Bronze	\$110.25
C222-R-4	2" No Hub (Cast Iron)	5" Round, Ductile Iron	\$103.00
C223-R-4	3" No Hub (Cast Iron)	5" Round, Ductile Iron	\$103.00
C224-R-4	4" No Hub (Cast Iron)	5" Round, Ductile Iron	\$103.00
C222P-R-1	2" Push On (Cast Iron)	5" Round, Nickel Bronze	\$115.50
C223P-R-1	3" Push On (Cast Iron)	5" Round, Nickel Bronze	\$115.50
C224P-R-1	4" Push On (Cast Iron)	5" Round, Nickel Bronze	\$115.50
C222P-R-4	2" Push On (Cast Iron)	5" Round, Ductile Iron	\$109.25
C223P-R-4	3" Push On (Cast Iron)	5" Round, Ductile Iron	\$109.25
C224P-R-4	4" Push On (Cast Iron)	5" Round, Ductile Iron	\$109.25

OPTIONAL VARIATIONS

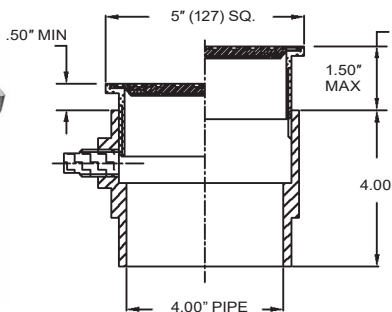
SUFFIX	DESCRIPTION	LIST PRICE
-6	Vandal Proof (H-1039A - 3 pieces)	\$17.00

COUNTERLINE C220-S

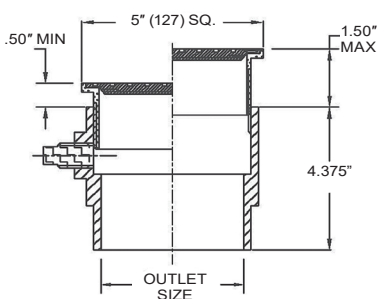
5" SQUARE ADJUSTABLE FLOOR CLEANOUT



C224-S-1



C224-30-S-1



Adjustable Floor Cleanout with Square Top Assembly.

MODEL #	OUTLET SIZE	TOP ASSEMBLY SIZE & MATERIAL	LIST PRICE
C222-30-S-1	2" PVC socket	5" Square, Nickel Bronze	\$99.75
C223-30-S-1	3" PVC socket	5" Square, Nickel Bronze	\$99.75
C224-30-S-1	4" PVC socket	5" Square, Nickel Bronze	\$99.75
C222-31-S-1	2" ABS socket	5" Square, Nickel Bronze	\$99.75
C223-31-S-1	3" ABS socket	5" Square, Nickel Bronze	\$99.75
C224-31-S-1	4" ABS socket	5" Square, Nickel Bronze	\$99.75
C222-S-1	2" No Hub (Cast Iron)	5" Square, Nickel Bronze	\$124.00
C223-S-1	3" No Hub (Cast Iron)	5" Square, Nickel Bronze	\$124.00
C224-S-1	4" No Hub (Cast Iron)	5" Square, Nickel Bronze	\$124.00
C222P-S-1	2" Push On (Cast Iron)	5" Square, Nickel Bronze	\$130.25
C223P-S-1	3" Push On (Cast Iron)	5" Square, Nickel Bronze	\$130.25
C224P-S-1	4" Push On (Cast Iron)	5" Square, Nickel Bronze	\$130.25

OPTIONAL VARIATIONS

SUFFIX	DESCRIPTION	LIST PRICE
-6	Vandal Proof (H-1039A - 4 pieces)	\$17.00

CALIFORNIA PROPOSITION 65 WARNING. This product contains chemicals known to the State of California to cause cancer and birth defects or other reproductive harm.

DRAIN BODIES

(A1 BODY WITH FLANGE, A4 BODY WITHOUT FLANGE)

A4 BODY - CAST IRON PUSH ON WITH GASKET

1/2" Trap seal primer tapping and plug included for no extra cost.

MODEL #	DESCRIPTION	LIST PRICE
A4-2P-7-CL	2" Push On Outlet Size	\$47.25
A4-3P-7-CL	3" Push On Outlet Size	\$47.25
A4-4P-7-CL	4" Push On Outlet Size	\$47.25



A4 BODY - CAST IRON NO HUB

1/2" Trap seal primer tapping and plug included for no extra cost.

MODEL #	DESCRIPTION	LIST PRICE
A4-2NH-7-CL	2" No Hub Outlet Size	\$47.25
A4-3NH-7-CL	3" No Hub Outlet Size	\$47.25
A4-4NH-7-CL	4" No Hub Outlet Size	\$47.25



A4 BODY - PVC SOLVENT WELD

1/2" Trap seal primer tapping and plug included for no extra cost.

MODEL #	DESCRIPTION	LIST PRICE
A4-2-30-7-CL	2" PVC Solvent Weld Outlet Size	\$29.50
A4-3-30-7-CL	3" PVC Solvent Weld Outlet Size	\$29.50
A4-4-30-7-CL	4" PVC Solvent Weld Outlet Size	\$29.50



A4 BODY - ABS SOLVENT WELD

1/2" Trap seal primer tapping and plug included for no extra cost.

MODEL #	DESCRIPTION	LIST PRICE
A4-2-31-7-CL	2" ABS Solvent Weld Outlet Size	\$29.50
A4-3-31-7-CL	3" ABS Solvent Weld Outlet Size	\$29.50
A4-4-31-7-CL	4" ABS Solvent Weld Outlet Size	\$29.50



A1 BODY - CAST IRON PUSH ON WITH GASKET

1/2" Trap seal primer tapping and plug included for no extra cost.

MODEL #	DESCRIPTION	LIST PRICE
A1-2P-7-CL	2" Push On Outlet Size	\$52.50
A1-3P-7-CL	3" Push On Outlet Size	\$52.50
A1-4P-7-CL	4" Push On Outlet Size	\$52.50



A1 BODY - CAST IRON NO HUB

1/2" Trap seal primer tapping and plug included for no extra cost.

MODEL #	DESCRIPTION	LIST PRICE
A1-2NH-7-CL	2" No Hub Outlet Size	\$52.50
A1-3NH-7-CL	3" No Hub Outlet Size	\$52.50
A1-4NH-7-CL	4" No Hub Outlet Size	\$52.50



A1 BODY - PVC SOLVENT WELD

1/2" Trap seal primer tapping and plug included for no extra cost.

MODEL #	DESCRIPTION	LIST PRICE
A1-2-30-7-CL	2" PVC Solvent Weld Outlet Size	\$37.75
A1-3-30-7-CL	3" PVC Solvent Weld Outlet Size	\$37.75
A1-4-30-7-CL	4" PVC Solvent Weld Outlet Size	\$37.75



A1 BODY - ABS SOLVENT WELD

1/2" Trap seal primer tapping and plug included for no extra cost.

MODEL #	DESCRIPTION	LIST PRICE
A1-2-31-7-CL	2" ABS Solvent Weld Outlet Size	\$37.75
A1-3-31-7-CL	3" ABS Solvent Weld Outlet Size	\$37.75
A1-4-31-7-CL	4" ABS Solvent Weld Outlet Size	\$37.75



DRAIN TOPS

"We stock MIFAB products partly because of their Component system which allows interchangeability of drain tops, roof drain tops, and clean out tops. This helps reduce my SKUs, while reducing my investment dollars."

- Rob Scott, Action Plumbing Supply, LLC, Mira Loma, CA

ROUND



MODEL #	DESCRIPTION	LIST PRICE
5-1-CL	5" Round Nickel Bronze Strainer	\$55.75
6-1-CL	6" Round Nickel Bronze Strainer	\$86.25
F300-TA-4-CL	7" Round Ductile Iron Strainer	\$91.50
F320-TA-4-CL	9" Round Ductile Iron Strainer	\$114.50
X5-4-CL	5" Round Heavy Duty Ductile Iron Strainer	\$28.50

SQUARE



MODEL #	DESCRIPTION	LIST PRICE
S5-1-CL	5" Square Nickel Bronze Strainer	\$81.00
S6-1-CL	6" Square Nickel Bronze Strainer	\$112.50

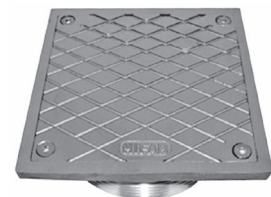
CLEANOUT TOPS

ROUND



MODEL #	DESCRIPTION	LIST PRICE
R-1-CL	5" Round Nickel Bronze Cleanout Top Assembly	\$60.00
XR-4-CL	5" Round Heavy Duty Ductile Iron Cleanout Top Assembly	\$45.25

SQUARE



MODEL #	DESCRIPTION	LIST PRICE
S-1-CL	5" Square Nickel Bronze Cleanout Top Assembly	\$70.50

CALIFORNIA PROPOSITION 65 WARNING. This product contains chemicals known to the State of California to cause cancer and birth defects or other reproductive harm.

Design and dimensions are subject to modification. Prices do not include applicable taxes.

Visit www.mifab.com for the most recent product information.

MIFAB®, Inc., 1321 West 119th Street, Chicago, Illinois 60643-5109, USA

Toll Free: 1-800-465-2736, Fax: 1-773-341-3049

All sales subject to MIFAB's® Terms and Warranties. Please refer to page 3.

sales@mifab.com Canada Toll Free: 1-800-387-3880

SD7000

SHOWER DRAIN

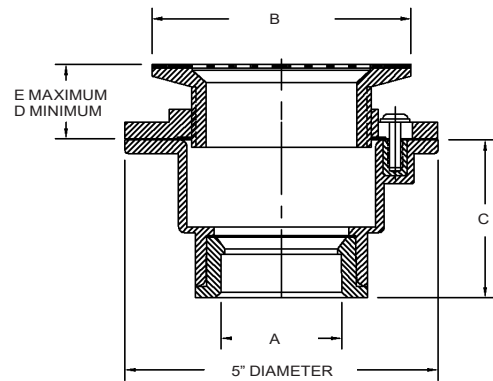
Shower drain with ABS, or lacquered cast iron body, membrane clamp, adjustable strainer with stainless steel grate. Recommended for molded shower stalls where the drain body is placed on the pipe before the shower unit is installed.



SD7001 illustrated



SD7002-S4 illustrated



"We use the MIFAB SD7000 Series shower drains on all of our condo buildings. Installation is easy and the stainless top looks great?"

– Primo Mechanical, Toronto, Canada

SD7001, SD7002	With ABS body -	\$20.00 List Price
SD7101, SD7102	with Cast Iron body -	\$40.00 List Price
-S4	4" x 4" top strainer assembly only with stainless steel stamped grate (add \$7.50 for the 4" x 4" top assembly to the above List Prices) of the SD7001, SD7002, SD7101, SD7102.	\$7.50 List Price

MODEL #	PRODUCT DESCRIPTION	A IN	B IN	C IN	D IN	E IN	WEIGHT LBS.
SD7001	1 1/2" (38) ABS w/S.S. Grate	1 7/8" (48)	4" (100)	2 1/2" (64)	3/4" (19)	1 1/2" (38)	.75 lbs.
SD7002	2" (50) ABS w/S.S. Grate	2 3/8" (60) IPS	4" (100)	2 1/2" (64)	3/4" (19)	1 1/2" (38)	.75 lbs.
SD7101	1 1/2" (38) C.I. w/S.S. Grate	1 1/2" (38) IPS	4" (100)	2 1/2" (64)	3/4" (19)	1 1/2" (38)	1.75 lbs.
SD7102	2" (50) C.I. w/S.S. Grate	2" (51) IPS	4" (100)	2 1/2" (64)	3/4" (19)	1 1/2" (38)	1.75 lbs.

OPTIONAL VARIATIONS

MODEL #	DESCRIPTION	LIST PRICE
-6	Vandal Proof	\$8.50

FD212TC-49

HEAVY DUTY SHOWER / FLOOR DRAIN

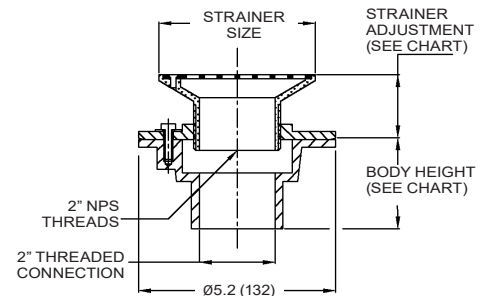
Heavy duty shower drain with lacquered cast iron body, membrane clamp, and standard chrome plated strainer.



FD212TC-49 illustrated



FD212TC-S5-49 illustrated



FD212TC-49	\$64.00
FD212C-49	\$64.00
FD212C-S5-49	\$77.75
FD212TC-S5-49	\$77.75

MODEL #	STRAINER SIZE	STRAINER ADJUSTMENT		ANSI / ASME RATING		BODY HEIGHT THREADED (T)	WEIGHT LBS.	
		PIPE SIZE	MIN.	MAX.	FREE AREA			LOAD RATING
FD212TC-49	4 1/8" (105) DIA.	2" (52) I.P.S.	1 3/8" (35)	2 1/4" (63)	5.0 in ²	Up to 2,000 lbs.	2 5/16" (59) I.P.S.	4 lbs.
FD212C-49	4 1/8" (105) DIA.	2" (52) No Hub	1 3/8" (35)	2 1/4" (63)	5.0 in ²	Up to 2,000 lbs.	2 1/2" (63) No Hub	4 lbs.
FD212C-S5-49	5" (125) x 5" (125)	2" (52) No Hub	1 3/8" (35)	2 1/4" (63)	9.0 in ²	Up to 2,000 lbs.	2 1/2" (63) No Hub	5 lbs.
FD212TC-S5-49	5" (125) x 5" (125)	2" (52) I.P.S.	1 3/8" (35)	2 1/4" (63)	9.0 in ²	Up to 2,000 lbs.	2 5/16" (59) I.P.S.	5 lbs.

CALIFORNIA PROPOSITION 65 WARNING. This product contains chemicals known to the State of California to cause cancer and birth defects or other reproductive harm.

FD230 LIGHT DUTY FLOOR DRAIN

Light duty floor drain with PVC, ABS or lacquered cast iron body, and 5" diameter ductile iron or nickel bronze grate.



All models with ductile iron grate (-4)	\$25.25
All models with nickel bronze grate (-1)	\$44.25

MODEL #	STRAINER DIAMETER	PIPE SIZE	ANSI / ASME RATING			BODY HEIGHT				WEIGHT LBS.
			FREE AREA	LOAD RATING N.B. (-1)	LOAD RATING D.I. (-4)	CAST IRON BODY (-50)	NICKEL BRONZE BODY (-1)	PVC BODY (-30)	ABS BODY (-31)	
FD232	5" (125)	2" (50)	8 in ² (5200 ²)	Up to 2,000 lbs.	Up to 7,499 lbs.	2 3/16" (56)	2 3/16" (56)	2 5/8" (67)	2 5/8" (67)	4 lbs.
FD233	5" (125)	3" (50)	8 in ² (5200 ²)	Up to 2,000 lbs.	Up to 7,499 lbs.	2 3/16" (56)	2 3/16" (56)	2 5/8" (67)	2 5/8" (67)	4 lbs.
FD234	5" (125)	4" (50)	8 in ² (5200 ²)	Up to 2,000 lbs.	Up to 7,499 lbs.	2 3/16" (56)	2 3/16" (56)	2 5/8" (67)	2 5/8" (67)	4 lbs.

SUFFIX	OPTIONAL VARIATIONS
-30	PVC Socket Connection Body
-31	ABS Socket Connection Body
-50	No Hub Cast Iron Body
-4	Ductile Iron Grate
-1	Nickel Bronze Grate

FD240 HEAVY DUTY FLOOR DRAIN

Heavy duty lacquered cast iron floor drain with 6 1/2" diameter. 1/2" thick ductile iron grate.



All models	\$94.50
------------	---------

MODEL #	PRODUCT DESCRIPTION	A IN	B IN	C IN	D IN	ANSI / ASME LOAD RATING	GRATE THICKNESS	FREE AREA	WEIGHT LBS.
FD242-4	2" (50) No hub C.I. body	2" (50)	6 1/2" (165)	3" (75)	2 3/8" (60)	Heavy Duty	2" (50)	2 5/16" (59)	4 lbs.
FD243-4	3" (75) No hub C.I. body	3" (75)	6 1/2" (165)	3" (75)	3 3/8" (86)	Heavy Duty	3" (75)	2 5/16" (59)	4 lbs.
FD244-4	4" (100) No hub C.I. body	4" (100)	6 1/2" (165)	3" (75)	4 3/8" (111)	Heavy Duty	4" (100)	2 5/16" (59)	4 lbs.

FD230-WF WOOD DECK FLOOR DRAIN

Floor drain with 1 1/2" securing flange for wood floors, PVC, ABS, or lacquered cast iron body, and 5" diameter frame and grate.



All Models with ductile iron grate (-4)	\$85.00
All Models with nickel bronze grate (-1)	\$110.25

MODEL #	STRAINER DIAMETER	PIPE SIZE	ANSI / ASME RATING			BODY HEIGHT			WEIGHT LBS.
			FREE AREA	LOAD RATING N.B. (-1)	CAST IRON BODY (-50)	PVC BODY (-30)	ABS BODY (-31)		
FD232-WF	5" (125)	2" (50)	8 in ² (5200 ²)	Up to 2,000 lbs.	2 3/16" (56)	2 5/8" (67)	2 5/8" (67)	4 lbs.	
FD233-WF	5" (125)	3" (50)	8 in ² (5200 ²)	Up to 2,000 lbs.	2 3/16" (56)	2 5/8" (67)	2 5/8" (67)	4 lbs.	
FD234-WF	5" (125)	4" (50)	8 in ² (5200 ²)	Up to 2,000 lbs.	2 3/16" (56)	2 5/8" (67)	2 5/8" (67)	4 lbs.	

SUFFIX	OPTIONAL VARIATIONS
-30	PVC Socket Connection Body
-31	ABS Socket Connection Body
-50	No Hub Cast Iron Body
-4	Ductile Iron Grate
-1	Nickel Bronze Grate

CALIFORNIA PROPOSITION 65 WARNING. This product contains chemicals known to the State of California to cause cancer and birth defects or other reproductive harm.

Design and dimensions are subject to modification. Prices do not include applicable taxes.

Visit www.mifab.com for the most recent product information.

MIFAB®, Inc., 1321 West 119th Street, Chicago, Illinois 60643-5109, USA

Toll Free: 1-800-465-2736, Fax: 1-773-341-3049

All sales subject to MIFAB's® Terms and Warranties. Please refer to page 3.

sales@mifab.com Canada Toll Free: 1-800-387-3880

FLOOR DRAIN OPTIONS

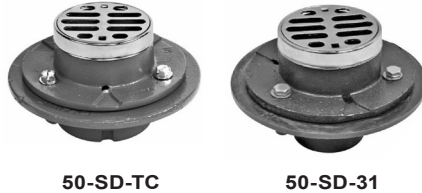


SUFFIX	DESCRIPTION	LIST PRICE
-5	Sediment bucket (A1-MB-CL)	\$33.50
-15	Adjustable extension (DD-50-CL)	\$53.50
-F4-50	4" Cast iron funnel (F4-50-CL)	\$61.00
-F6-50	6" Cast iron funnel (F6-50-CL)	\$88.25
-G-50	9" Oval funnel (G-50-CL)	\$97.75

SHOWER SUB DRAINS

50-SD

SHOWER SUB DRAIN



Shower sub drain with cast iron body and fixed stainless steel strainer.

MODEL #	OUTLET SIZE	OUTLET TYPE	WEIGHT LBS.	STRAINER SIZE	LIST PRICE
50-SD-T	2"	Threaded	6.0 lbs.	3 1/2"	\$52.50
50-SD-TC	2"	Push-On w/test cap	6.0 lbs.	3 1/2"	\$52.50
50-SD-31	2"	ABS Socket	3.0 lbs.	3 1/2"	\$46.25

FD-960

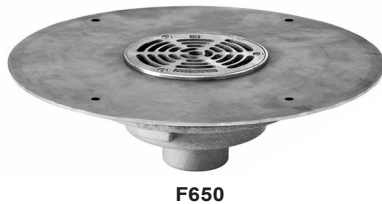
SNAP IN GRATE



MODEL #	DESCRIPTION	LIST PRICE
FD-962	2" Snap In Stainless Steel Grate	\$10.50
FD-963	3" Snap In Stainless Steel Grate	\$11.50
FD-964	4" Snap In Stainless Steel Grate	\$16.75

F650

ROUND DECK DRAIN



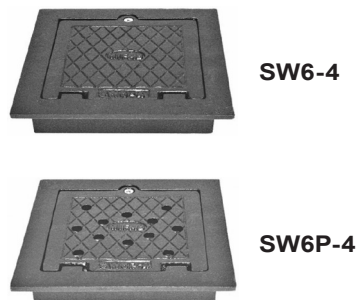
Cast iron 14" round deck drain with 6 1/2" diameter nickel bronze frame and grate.

MODEL #	OUTLET SIZE	OUTLET TYPE	WEIGHT LBS.	STRAINER SIZE	LIST PRICE
F652	2"	No Hub	10.0 lbs.	6 1/2"	\$234.25
F653	3"	No Hub	10.0 lbs.	6 1/2"	\$288.75
F654	4"	No Hub	10.0 lbs.	6 1/2"	\$328.75
F652T	2"	Threaded	10.0 lbs.	6 1/2"	\$258.25
F653T	3"	Threaded	10.0 lbs.	6 1/2"	\$302.50

SIDEWALK BOXES

SW

CAST IRON SIDEWALK BOXES with DUCTILE IRON COVERS



MODEL #	SIZE	DESCRIPTION	WEIGHT	LIST PRICE
SW6-4	6 3/4" x 6 3/4"	Ductile iron solid cover w/ cast iron frame	4.0 lbs.	\$53.50
SW6P-4	6 3/4" x 6 3/4"	Ductile iron perforated cover w/ cast iron frame	4.0 lbs.	\$64.00
SW6-PC-4	5" x 5"	Replacement ductile iron solid cover only	2.0 lbs.	\$33.75
SW6P-PC-4	5" x 5"	Replacement ductile iron perforated cover only	2.0 lbs.	\$38.75

OPTIONAL VARIATIONS

SIZE	DESCRIPTION	LIST PRICE
-6	Vandal Proof Cover (#H-1039A-10-24 x 3/8" flat head torx and pin stainless steel machine screw)	\$23.25

"Our Customers Love Counterline! From Shower Drains to Roof Drains, it's the best price point and highest quality in the industry! Our MIFAB Rep is top notch too! Great product, Great Price, Fantastic Rep! What else can we ask for?"

– Joe Rooks, L.A. Plumbing Supply, Duarte, CA

CALIFORNIA PROPOSITION 65 WARNING. This product contains chemicals known to the State of California to cause cancer and birth defects or other reproductive harm.

R100-M CAST IRON ROOF DRAIN with ALUMINUM DOME

MODEL #	OUTLET SIZE	OUTLET TYPE	LIST PRICE, STANDARD PLASTIC DOME	LIST PRICE ALUMINUM DOME (-M)	LIST PRICE PLANTING AREA SCREENED DOME (-PA)
R102, 3, 4	2", 3", 4"	No Hub	\$87.25	\$110.25	\$203.75
R106	6"	No Hub	\$100.75	\$124.00	\$217.25
R102, 3, 4P	2", 3", 4"	Push-On	\$108.25	\$131.25	\$222.75
R102, 3, 4T	2", 3", 4"	Threaded	\$174.25	\$197.50	\$237.25
R102,3,4-30 or 31	2", 3", 4"	PVC / ABS Socket	\$87.25	\$110.25	\$203.75



SUFFIX	DESCRIPTION	LIST PRICE	WEIGHT LBS.
-U	Under Deck Clamp (A1-C3-CL)	\$30.50	1
A1-PD-CL	Replacement poly dome only	\$24.25	.50
A1-MD-CL	Replacement metal dome only	\$37.75	1

NOTE: 2" PVC / ABS body fits over 2" pipe or into 3" pipe. 3" PVC / ABS body fits over 3" pipe or into 4" pipe.

R100-90 CAST IRON ROOF DRAIN with ALUMINUM DOME and SIDE OUTLET

MODEL #	OUTLET SIZE	OUTLET TYPE	LIST PRICE STANDARD ALUMINUM DOME	LIST PRICE PLANTING AREA SCREENED DOME (-PA)
R102,3,4NH-90	2", 3", 4"	No Hub	\$197.50	\$288.75
R102, 3, 4T-90	2", 3", 4"	Threaded	\$197.50	\$288.75



R100-OF CAST IRON ROOF DRAIN with ALUMINUM DOME and OVERFLOW STANDPIPE

MODEL #	OUTLET SIZE	OUTLET TYPE	LIST PRICE STANDARD ALUMINUM DOME
R102,3,4NH-OF	2", 3", 4"	No Hub	\$137.50
R102, 3, 4P-OF	2", 3", 4"	Push On	\$145.00



R150 CAST IRON COMBINED ROOF DRAIN with ALUMINUM DOMES and OVERFLOW STANDPIPE

MODEL #	OUTLET SIZE	OUTLET TYPE	LIST PRICE (1 per carton) STANDARD ALUMINUM DOMES
R152, 3, 4	2", 3", 4"	No Hub	\$211.00



C230-TS CLEANOUT COVER with THUMBSCREWS FOR 2"- 4" PIPE SIZE

MODEL #	FITS OUTLET SIZE	WEIGHT LBS.	CARTON QUANTITY	LIST PRICE NICKEL BRONZE (-1)	LIST PRICE DUCTILE IRON (-4)
C234-TS	2", 3"	3.0 lbs.	36	\$77.75	\$73.50
C236-TS	4"	6.0 lbs.	18	\$99.75	\$93.50
C234-PC	Cover only	1.0 lbs.	-	\$64.00	\$35.75
C236-PC	Cover only	1.0 lbs.	-	\$86.25	\$56.75



C300 FLOOR ACCESS COVERS

MODEL #	SIZE AND DESCRIPTION	WEIGHT LBS.	LIST PRICE NICKEL BRONZE (-1)	LIST PRICE DUCTILE IRON (-4)
C300-R6	6" round with lugs	46.50 lbs.	\$86.25	\$55.75
C300-R6-NL	6" round with no lugs	46.50 lbs.	\$86.25	\$55.75
C300-S7	7" square with lugs	65.0 lbs.	\$117.75	\$69.25



CF CAST IRON CLOSET FLANGE WITH GASKET CONNECTION

MODEL #	DESCRIPTION	CARTON QUANTITY	LIST PRICE
CF32TC	3" x 2" with Test Cap	12	\$35.75
CF42	4" x 2"	8	\$33.75
CF42TC	4" x 2" with Test Cap	8	\$35.75
CFOS42TC	4" x 2" offset with Test Cap	12	\$70.50
CF44DTC	4" x 6" Deep Closet with Test Cap	8	\$47.25
CF46DTC	4" x 6" Deep Closet with Test Cap	8	\$61.00



NOTE: CFOS42TC has 4 slots on the top so that the offset can be in two different positions.

CALIFORNIA PROPOSITION 65 WARNING. This product contains chemicals known to the State of California to cause cancer and birth defects or other reproductive harm.

Design and dimensions are subject to modification. Prices do not include applicable taxes.

Visit www.mifab.com for the most recent product information.

MIFAB®, Inc., 1321 West 119th Street, Chicago, Illinois 60643-5109, USA

Toll Free: 1-800-465-2736, Fax: 1-773-341-3049

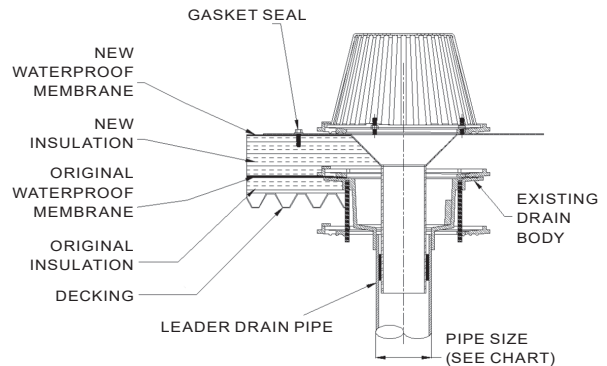
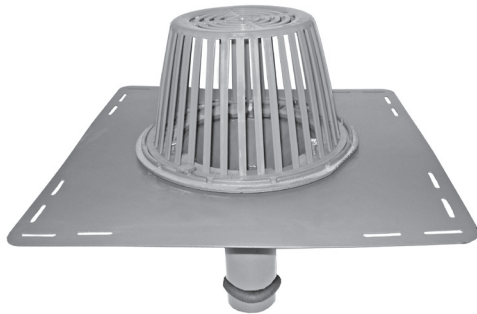
All sales subject to MIFAB's® Terms and Warranties. Please refer to page 3.

sales@mifab.com Canada Toll Free: 1-800-387-3880

RFD

REPLACEMENT ROOF DRAIN

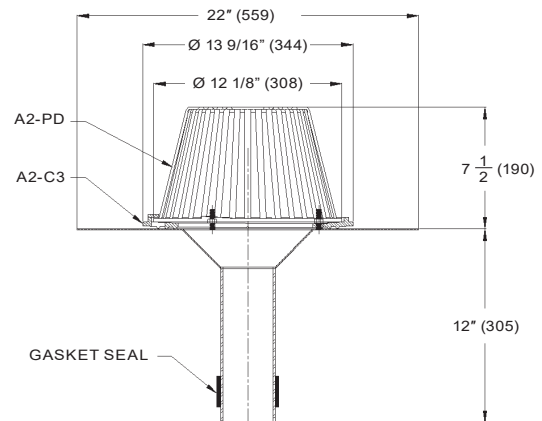
Manufactured from 16 gauge steel with an acid resistant powder epoxy coating on bearing pan and funnel body. Furnished with poly dome strainer, dome receiver with integral gravel guard and gasket seal.



MODEL #	PIPE SIZE	LIST PRICE
RFD-3	3" [76] Push-In	\$362.25
RFD-4	4" [76] Push-In	\$377.00
RFD-5	5" [76] Push-In	\$456.75
RFD-6	6" [76] Push-In	\$456.75

OPTIONAL VARIATIONS

SUFFIX	DESCRIPTION	LIST PRICE
-6	Vandal proof dome (metal dome only)	\$31.50
-M-80	Low aluminum dome	\$81.00
-M	Cast iron dome	\$81.00



MI-SCOV

CAST IRON SEWER BOX SEWER LID AND COVER



MI-SCOV - side view



MI-SCOV-W-8 - top view

MODEL #	OVERALL DIAMETER	COVER DIAMETER	HEIGHT
MI-SCOV-8	11"	9"	2.50"
MI-SCOV-10	13"	11"	2.50"

MODEL #	DESCRIPTION	LIST PRICE
MI-SCOV-W-8	8" water lid and collar	\$57.75
MI-SCOV-S-8	8" sewer lid and collar	\$57.75
MI-SCOV-8	8" plain lid and collar	\$57.75
MI-SCOV-W-10	10" water lid and collar	\$57.75
MI-SCOV-S-10	10" sewer lid and collar	\$68.25
MI-SCOV-10	10" plain lid and collar	\$68.25

SUFFIX	OPTIONAL VARIATIONS	LIST PRICE
-11	Acid resistant epoxy coated lid and collar	\$105.00
-13	Galvanized lid and collar	\$105.00

CALIFORNIA PROPOSITION 65 WARNING. This product contains chemicals known to the State of California to cause cancer and birth defects or other reproductive harm.

DIELECTRIC NIPPLES

THREADED BY THREADED

MODEL #	DESCRIPTION	CARTON QUANTITY	LIST PRICE
MI-DETT-50	1/2" x 3" long, threaded by threaded	25	\$19.00
MI-DETT-75	3/4" x 3" long, threaded by threaded	25	\$19.00
MI-DETT-100	1" x 4" long, threaded by threaded	25	\$28.50
MI-DETT-125	1 1/4" x 4" long, threaded by threaded	10	\$42.00
MI-DETT-150	1 1/2" x 4" long threaded by threaded	10	\$46.25
MI-DETT-200	2" x 4" long, threaded by threaded	10	\$56.75
MI-DETT-250	2 1/2" x 6" long, threaded by threaded	6	\$78.75
MI-DETT-300	3" x 6" long, threaded by threaded	6	\$92.50
MI-DETT-350	3 1/2" x 6" long, threaded by threaded	6	\$108.25
MI-DETT-400	4" x 6" long, threaded by threaded	6	\$124.00

GROOVED BY THREADED

MODEL #	DESCRIPTION	CARTON QUANTITY	LIST PRICE
MI-DEGT-50	1/2" x 3" long, grooved by threaded	25	\$19.00
MI-DEGT-75	3/4" x 3" long, grooved by threaded	25	\$19.00
MI-DEGT-100	1" x 4" long, grooved by threaded	25	\$28.50
MI-DEGT-125	1 1/4" x 4" long, grooved by threaded	10	\$42.00
MI-DEGT-150	1 1/2" x 4" long grooved by threaded	10	\$46.25
MI-DEGT-200	2" x 4" long, grooved by threaded	10	\$56.75
MI-DEGT-250	2 1/2" x 6" long, grooved by threaded	6	\$78.75
MI-DEGT-300	3" x 6" long, grooved by threaded	6	\$78.75
MI-DEGT-350	3 1/2" x 6" long, grooved by threaded	6	\$108.25
MI-DEGT-400	4" x 6" long, grooved by threaded	6	\$124.00

GROOVED BY GROOVED

MODEL #	DESCRIPTION	CARTON QUANTITY	LIST PRICE
MI-DEGG-200	2" x 4" long, grooved by grooved	10	\$28.50
MI-DEGG-250	2 1/2" x 6" long, grooved by grooved	6	\$61.00
MI-DEGG-300	3" x 6" long, grooved by grooved	6	\$75.75
MI-DEGG-400	4" x 6" long, grooved by grooved	6	\$90.50

"I enjoy selling MIFAB's FS520 PVC floor sinks - they are packaged professionally and make it easy to sell with other product lines. Not to mention priced very competitively."
 - Jerry Slutsky, RW Sales, Dallas, TX



MI-DETT Series



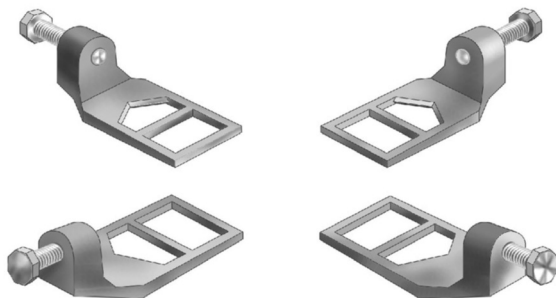
MI-DEGT Series



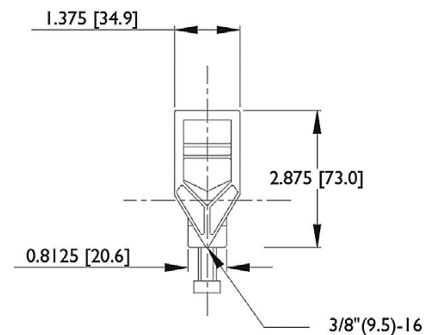
MI-DEGG Series

R1800

MEMBRANE CLAMP LOCKDOWN CLAMPS



CAST METAL



MODEL #	DESCRIPTION	BAG QUANTITY	LIST PRICE
R1800	Lockdown Clamps w/ hardware	4	\$28.50

CALIFORNIA PROPOSITION 65 WARNING. This product contains chemicals known to the State of California to cause cancer and birth defects or other reproductive harm.

Design and dimensions are subject to modification. Prices do not include applicable taxes.

Visit www.mifab.com for the most recent product information.

MIFAB®, Inc., 1321 West 119th Street, Chicago, Illinois 60643-5109, USA

Toll Free: 1-800-465-2736, Fax: 1-773-341-3049

All sales subject to MIFAB's® Terms and Warranties. Please refer to page 3.

sales@mifab.com Canada Toll Free: 1-800-387-3880

PVC FLOOR SINKS

PVC floor sinks are manufactured out of PVC material to provide the ultimate in sanitary design. PVC material has excellent resistance to chemicals such as the acids contained in fruits, vegetables and fats. The smooth, uniform surface is easy to clean and the floor sink will not chip or rust. PVC floor sinks are lightweight for easier handling, installation and transportation. MIFAB offers PVC floor sinks in either 8" or 12" square flangeless bodies with optional dome bottom strainer and with full, three-quarter or half PVC, nickel bronze or stainless steel grate configurations.

FS520-30

8" SQUARE x 6" DEEP PVC FLOOR SINK



Two removable quarter sections to have full, 1/2 or 3/4 grate all in one.

PATENT # 9,458,616

FS520-PG-30 grate only
\$34.75

8" square x 6" deep PVC floor sink body, less flange, with loose set full PVC grate.

MODEL #	OUTLET SIZE	LIST PRICE
FS522-30	2" socket	\$117.75
FS523-30	3" socket	\$117.75
FS524-30	4" socket	\$117.75

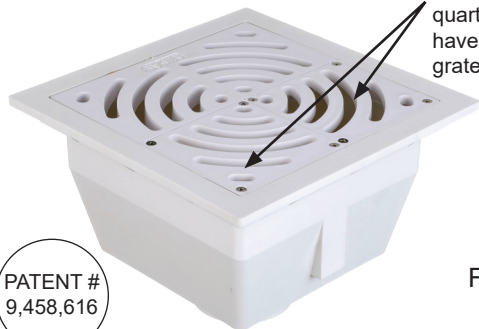
Note: 4" outlet socket connection body fits into 4" PVC pipe and over 3" PVC pipe.

"The MIFAB PVC floor sink 3 in 1 grate is a huge benefit to my customers. Being able to configure the grate from a full grate to a 3/4 grate or 1/2 grate is a reduction of inventory skews, and the wholesaler always has the grate that is needed for projects."

— Steve Calhoun, Principal, Blackjack Mountain Marketing, Inc., Little Rock, AR

FS720-30

12" SQUARE x 6" DEEP PVC FLOOR SINK



Two removable quarter sections to have full, 1/2 or 3/4 grate all in one.

PATENT # 9,458,616

FS720-PG-30 grate only
\$38.00

Square x 6" deep PVC floor sink body, less flange, with loose set full PVC grate.

MODEL #	OUTLET SIZE	LIST PRICE
FS722-30	2" socket	\$136.50
FS723-30	3" socket	\$136.50
FS724-30	4" socket	\$136.50

Note: 4" outlet socket connection body fits into 4" PVC pipe and over 3" PVC pipe.

OPTIONAL VARIATIONS FOR FS520-30 and FS720-30

SUFFIX	DESCRIPTION	FS520-30	FS720-30
-1-150	1/2 Nickel Bronze grate and frame	\$171.25	\$197.50
-1-175	3/4 Nickel Bronze grate and frame	\$171.25	\$197.50
-3-150	1/2 Stainless Steel grate and frame	\$171.25	\$197.50
-3-175	3/4 Stainless Steel grate and frame	\$171.25	\$197.50
-1	Full Nickel Bronze grate and frame	\$171.25	\$197.50
-3	Full Stainless Steel grate and frame	\$171.25	\$197.50
-5	Sediment bucket (FS520-SB for 8" x 8" and FS720-SB for 12" x 12")	\$44.25	\$44.25
-69	Stainless Steel Sediment Bucket (FS520-SB-3 for 8" x 8" and FS720-SB-3 for 12" x 12")	\$110.25	\$121.75
-89	Bottom dome strainer (A1-PB for 8" x 8" and FS1700-PB for 12" x 12")	\$27.50	\$27.50
-150	1/2 PVC grate	No Add	No Add
-175	3/4 PVC grate	No Add	No Add
(Standard)	Full PVC grate	No Add	No Add

CALIFORNIA PROPOSITION 65 WARNING. This product contains chemicals known to the State of California to cause cancer and birth defects or other reproductive harm.

FS520

8" SQUARE x 6" DEEP FLOOR SINK

8" Square x 6" deep cast iron floor sink with white acid resistant enamel coated interior, loose set acid resistant enamel cast iron grate, and aluminum dome bottom strainer.

MODEL #	LIST PRICE	CONNECTION SIZE			CONNECTION TYPE			WEIGHT (lbs.)
		2"	3"	4"	No Hub	Push On	Inside Caulk	
FS520	\$202.75	Yes	Yes	Yes	(Standard)	-P	-X	18 lbs.
Body Only	\$150.25	Yes	Yes	Yes	(Standard)	-P	-X	15 lbs.
Grate Only	\$52.50				(Standard)	-P	-X	3 lbs.



FS720

12" SQUARE x 6" DEEP FLOOR SINK

12" Square x 6" deep cast iron floor sink with white acid resistant enamel coated interior, loose set acid resistant enamel cast iron grate, and aluminum dome bottom strainer.

MODEL #	LIST PRICE	CONNECTION SIZE			CONNECTION TYPE			WEIGHT (lbs.)
		2"	3"	4"	No Hub	Push On	Inside Caulk	
FS720	\$240.50	Yes	Yes	Yes	(Standard)	-P	-X	29 lbs.
Body Only	\$172.25	Yes	Yes	Yes	(Standard)	-P	-X	25 lbs.
Grate Only	\$68.25				(Standard)	-P	-X	4 lbs.



FS730

12" SQUARE x 8" DEEP FLOOR SINK

12" Square x 8" deep cast iron floor sink with white acid resistant enamel coated interior, loose set acid resistant enamel cast iron grate, and aluminum dome bottom strainer.

MODEL #	LIST PRICE	CONNECTION SIZE			CONNECTION TYPE			WEIGHT (lbs.)
		2"	3"	4"	No Hub	Push On	Inside Caulk	
FS730	\$257.25	Yes	Yes	Yes	(Standard)	-P	-X	37 lbs.
Body Only	\$189.00	Yes	Yes	Yes	(Standard)	-P	-X	33 lbs.
Grate Only	\$68.25				(Standard)	-P	-X	4 lbs.



FS740

12" SQUARE x 10" DEEP FLOOR SINK

12" Square x 10" deep cast iron floor sink with white acid resistant enamel coated interior, loose set acid resistant enamel cast iron grate, and aluminum dome bottom strainer.

MODEL #	LIST PRICE	CONNECTION SIZE			CONNECTION TYPE			WEIGHT (lbs.)
		2"	3"	4"	No Hub	Push On	Inside Caulk	
FS740	\$338.25	Yes	Yes	Yes	(Standard)	-P	-X	42 lbs.
Body Only	\$270.00	Yes	Yes	Yes	(Standard)	-P	-X	36 lbs.
Grate Only	\$68.25				(Standard)	-P	-X	6 lbs.



OPTIONAL VARIATIONS					
SUFFIX	DESCRIPTION	FS520	FS720	FS730	FS740
-5	Sediment Bucket	\$56.75	\$72.50	\$72.50	\$72.50
-150	1/2 Grate	No Add	No Add	No Add	No Add
-175	3/4 Grate	No Add	No Add	No Add	No Add
-SPL	Split Grate	Not Available	\$66.25	\$66.25	\$66.25



-SPL split

CALIFORNIA PROPOSITION 65 WARNING. This product contains chemicals known to the State of California to cause cancer and birth defects or other reproductive harm.

Design and dimensions are subject to modification. Prices do not include applicable taxes.

Visit www.mifab.com for the most recent product information.

MIFAB®, Inc., 1321 West 119th Street, Chicago, Illinois 60643-5109, USA

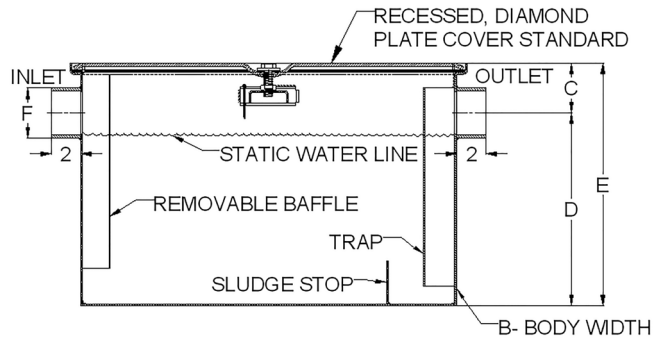
Toll Free: 1-800-465-2736, Fax: 1-773-341-3049

All sales subject to MIFAB's® Terms and Warranties. Please refer to page 3.

sales@mifab.com Canada Toll Free: 1-800-387-3880

MCL-G SERIES GREASE INTERCEPTORS

Regularly manufactured with an electrostatically applied baked powder epoxy coating and supplied with an external, vented, flow control fitting. 14 gauge material used for body.



Suffix -T Threaded Outlet (Add)

2" - \$39.50

3" - \$51.50

4" - \$77.75

Modifications are not available to dimensions of product.

Choose MIFAB's MI-G Grease Interceptor Series when integral extensions, anchor flanges and other optional variations are required. See the MPB List Price Book.

"I win the largest projects by quoting MIFAB for all of my steel interceptors including custom steel interceptors. The fabrication team at MIFAB offers the best capabilities in the industry!"

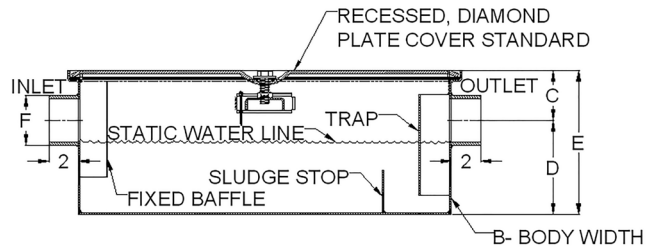
- Dan Thomas, President, Ben Thomas & Associates, Shape Gap, PA

MCL-G SERIES												
MODEL #	U.S. GPM	CAP LBS.	A	B	C	D	E	F	# LIDS	# OF BOLTS	LIST PRICE	SHIP WT.
MCL-G-0	4	8 lbs.	16 3/4"	11 1/4"	2 1/2"	8 1/2"	11"	2"	1	1	\$454.00	45 lbs.
MCL-G-1	7	14 lbs.	17 3/4"	13 3/4"	3 1/2"	8 1/2"	12"	2"	1	1	\$599.00	54 lbs.
MCL-G-2	10	20 lbs.	21 1/4"	15 3/4"	3 1/2"	9 1/2"	13"	2"	1	1	\$683.00	72 lbs.
MCL-G-3	15	30 lbs.	23 3/4"	15 3/4"	3 1/2"	11 1/2"	15"	2"	1	1	\$809.00	85 lbs.
MCL-G-4	20	40 lbs.	23 3/4"	15 3/4"	3 1/2"	14"	17 1/2"	3"	1	1	\$909.00	90 lbs.
MCL-G-5	25	50 lbs.	27 3/4"	18 3/4"	3 1/2"	14"	17 1/2"	3"	1	1	\$1,231.00	112 lbs.
MCL-G-6	35	70 lbs.	31 1/4"	23 3/4"	5 1/2"	16 1/2"	22"	3"	1	4	\$1,477.00	166 lbs.
MCL-G-7	50	100 lbs.	31 1/4"	23 3/4"	5 1/2"	18 1/2"	24"	3"	1	4	\$1,689.00	175 lbs.
XL-MCL-G-0	75	150 lbs.	42"	28"	6"	26"	32"	4"	2	8	\$3,520.00	250 lbs.
XL-MCL-G-1	100	200 lbs.	55"	37"	8"	26"	34"	4"	2	8	\$4,320.00	400 lbs.

CALIFORNIA PROPOSITION 65 WARNING. This product contains chemicals known to the State of California to cause cancer and birth defects or other reproductive harm.

MCL-G-L SERIES LOW PROFILE GREASE INTERCEPTORS

Regularly manufactured with an electrostatically applied baked powder epoxy coating and supplied with an external, vented, flow control fitting.



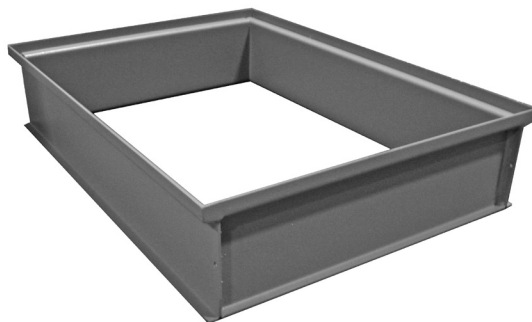
Modifications are not available to dimensions of product.

Choose MIFAB's MI-G-L Series for extensions, anchor flanges and other optional variations.

MODEL #	U.S. GPM	CAP LBS.	A	B	C	D	E	F	# LIDS	# OF BOLTS	LIST PRICE	SHIP WT. LBS.
MCL-G-L-20	20	40 lbs.	34"	24"	4"	7"	11"	3"	1	4	\$1,183.00	45 lbs.
MCL-G-L-35	35	50 lbs.	42"	28"	4"	7"	11"	3"	2	4	\$1,919.00	54 lbs.

6" BOLT ON EXTENSIONS

Bolt On Extensions can be stacked in 6" increments.



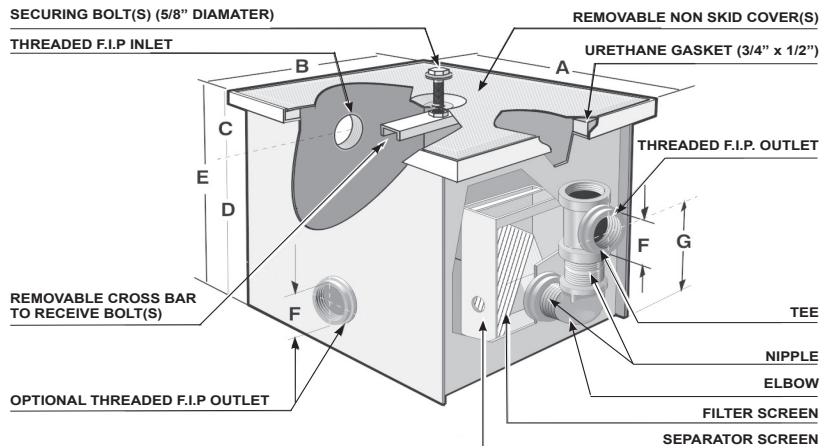
NOTE:

Custom Bolt On extensions can be manufactured upon request. Please contact MIFAB for pricing.

MODEL #	LIST PRICE
MCL-G-BO-0-6	\$380.00
MCL-G-BO-1-6	\$427.00
MCL-G-BO-2-6	\$540.00
MCL-G-BO-3-6	\$568.00
MCL-G-BO-4-6	\$615.00
MCL-G-BO-5-6	\$662.00
MCL-G-BO-6-6	\$776.00
MCL-G-BO-7-6	\$1,231.00
XL-MCL-G-0-BO-6	\$2,080.00
XL-MCL-G-1-BO-6	\$2,364.00

CALIFORNIA PROPOSITION 65 WARNING. This product contains chemicals known to the State of California to cause cancer and birth defects or other reproductive harm.

MI-ROC SERIES



MI-ROC grease interceptors are manufactured with 10 gauge steel and coated with a powder acid resistant epoxy coating inside and out. Every interceptor has an F.I.P. inlet and outlet, cast iron drainage fittings to form a visible double wall deep seal trap, removable separator and filter screens, recessed, non-skid gasketed rectangular lid for in or above ground use, removable cross bar, securing bolt(s) and plugs for the outlet connections not required. No external or internal flow control is provided. The inlet is lower than the outlet. This results in water in the inlet piping that acts to slow water entering the interceptor.

"The MI-ROC grease interceptor is a great alternative to standard interceptors at an economical price."

– Tom Babcock, Kast Marketing, Chicago, IL

MI-ROC SERIES														
MODEL #	U.S. GPM	CAP (LBS.)	BODY DIMENSIONS - INCHES							LIQUID HOLDING CAP (U.S.G)	REPLACES ROCK FORD	NO. OF LIDS	NO. OF BOLTS	SHIPPING WEIGHT (Lbs.)
			A	B	C	D	E	F	G					
MI-ROC-1	5	7	9 1/4"	6 1/4"	3 1/2"	5 1/2"	9"	1.5"	7 1/2"	2 gals.	G(F)-710	1	1	15
MI-ROC-2	8	12	10 1/4"	8 1/4"	3.88"	7.63"	11 1/2"	2"	9.63"	3.5 gals.	G(F)-1012	1	1	20
MI-ROC-3	12	18	12 3/4"	10 1/4"	4 1/2"	8.38"	12.88"	2"	10 3/4"	6 gals.	G(F)-1412	1	1	25
MI-ROC-4	16	60	18 1/2"	10 1/4"	4.88"	11"	15.88"	2"	13 3/4"	11.3 gals.	G(F)-1815	1	1	35
MI-ROC-5	20	70	20 1/4"	14 1/4"	5.88"	12"	17.88"	2"	15"	18.7 gals.	G(F)-1820	1	2	42
MI-ROC-6	30	90	24 1/2"	18 1/4"	6.13"	14 1/2"	20.63"	3"	17.88"	34.5 gals.	G(F)-2420	1	4	70
MI-ROC-7	35	120	24 1/2"	18 1/4"	8.63"	16 1/2"	25.13"	3"	20 3/4"	40 gals.	G(F)-2635	1	4	75
MI-ROC-8	40	180	26 1/4"	20 1/4"	7.88"	21 1/2"	29.38"	4"	25 3/4"	59 gals.	G(F)-2824	1	4	88
MI-ROC-9	50	220	29 1/2"	20 1/4"	7.88"	21 1/2"	29.38"	4"	25 3/4"	46.6 gals.	G(F)-3050	1	4	95
MI-ROC-10	60	250	33"	20 1/4"	7.88"	21 1/2"	29.38"	4"	25 3/4"	74.5 gals.	G(F)-3224	1	4	100
MI-ROC-11	75	300	33"	22 3/4"	8 1/2"	22"	30 1/2"	4"	26 1/4"	85.3 gals.	G(F)-3475	1	4	115
MI-ROC-12	100	350	35 1/2"	30"	8.13"	22"	30.13"	4"	26 1/4"	114.2 gals.	G(F)-3628	2	4	150
MI-ROC-LO SERIES														
MI-ROC-LO-1	16	65	20 1/4"	14 1/4"	4.63"	6"	10.63"	2"	8 3/4"	10.9 gals.	G(F)-23-LO	1	2	35
MI-ROC-LO-2	20	80	26 1/4"	20 1/4"	7.13"	6 1/2"	13.63"	2"	10 1/4"	23.6 gals.	G(F)-25-LO	2	2	60
MI-ROC-LO-3	30	90	30 1/4"	20 1/4"	7.13"	6 1/2"	13.63"	3"	10 1/4"	27.2 gals.	G(F)-30-LO	2	2	65
MI-ROC-LO-4	35	108	36 1/4"	20 1/4"	7.13"	6 1/2"	13.63"	3"	10 1/4"	32.6 gals.	G(F)-36-LO	2	2	72
MI-ROC-LO-5	40	200	44 1/2"	20 1/4"	5"	11"	16"	3"	11"	42.9 gals.	G(F)-45-LO	2	4	90
MI-ROC-LO-6	50	250	49 1/2"	20 1/4"	5"	11"	16"	3"	11"	47.7 gals.	G(F)-50-LO	2	4	95

OPTIONAL VARIATIONS			
SUFFIX	DESCRIPTION	SUFFIX	DESCRIPTION
-SS	Stainless Steel Interceptor	-AP	Anode Pack (\$1,873.00 List)
-FLC	Anchor Flange and Membrane Clamp	Specify	Special Size Inlet and Outlet
-FL	Anchor Flange	-TL	Lid(s) to Receive Tile or Terrazo
-C	Extension "C" as Required	-NH	MJ (No-Hub) Connections (No Add)
-SB	Sediment Bucket	-AL	Aluminum Lid(s)
-HD	Heavy Duty Reinforced Lid(s)	-DWLD	Leak Detection System (\$3,745.00 List)
-DW	Double Wall Contained Interceptor	-HLA	Liquid Level Alarm (\$3,211.00 List)

CALIFORNIA PROPOSITION 65 WARNING. This product contains chemicals known to the State of California to cause cancer and birth defects or other reproductive harm.

MI-ROC SERIES - GREASE INTERCEPTORS WITH 3 WAY OUTLET AND RECESSABLE LID

MODEL #	ROCKFORD NUMBER	LIST PRICE	FIRST 6" Ext. (-C)	EACH 1" AFTER	SEDIMENT BUCKET (-SB)	FILTER MEDIUM (-FM)	EPOXY COATING (-ARE)	REINFORCED COVER (-HD)	ANCHOR FLANGE (-FL)	MEMBRANE CLAMP (-C)
MI-ROC-1	G(F)-710, RTO-5	\$658.00	\$315.00	\$58.00	\$468.00	\$123.00	INCLUDED	\$177.00	\$476.00	\$468.00
MI-ROC-2	G(F)-1012, RTO-8	\$671.00	\$315.00	\$58.00	\$468.00	\$123.00	INCLUDED	\$177.00	\$476.00	\$468.00
MI-ROC-3	G(F)-1412, RTO-12	\$874.00	\$315.00	\$58.00	\$468.00	\$123.00	INCLUDED	\$177.00	\$476.00	\$468.00
MI-ROC-4	G(F)-1815, RTO-16	\$1,251.00	\$352.00	\$61.00	\$468.00	\$123.00	INCLUDED	\$191.00	\$568.00	\$558.00
MI-ROC-5	G(F)-1820, RTO-20	\$1,557.00	\$391.00	\$64.00	\$468.00	\$151.00	INCLUDED	\$201.00	\$648.00	\$633.00
MI-ROC-6	G(F)-2420, RTO-30	\$2,078.00	\$462.00	\$78.00	\$499.00	\$169.00	INCLUDED	\$223.00	\$678.00	\$667.00
MI-ROC-7	G(F)-2635, RTO-35	\$2,379.00	\$519.00	\$87.00	\$499.00	\$169.00	INCLUDED	\$239.00	\$1,200.00	\$671.00
MI-ROC-8	G(F)-2824, RTO-40	\$3,085.00	\$663.00	\$106.00	\$610.00	\$223.00	INCLUDED	\$276.00	\$1,370.00	\$698.00
MI-ROC-9	G(F)-3050, RTO-50	\$3,484.00	\$705.00	\$109.00	\$610.00	\$230.00	INCLUDED	\$306.00	\$1,456.00	\$734.00
MI-ROC-10	G(F)-3224, RTO-60	\$4,373.00	\$744.00	\$119.00	\$610.00	\$335.00	INCLUDED	\$345.00	\$1,511.00	\$748.00
MI-ROC-11	G(F)-3475, RTO-75	\$4,751.00	\$796.00	\$123.00	\$610.00	\$391.00	INCLUDED	\$375.00	\$1,574.00	\$773.00
MI-ROC-12	G(F)-3628, RTO-100	\$5,811.00	\$813.00	\$131.00	\$610.00	\$417.00	INCLUDED	\$436.00	\$1,637.00	\$796.00

NOTE: 3 way outlet w/ left hand, right hand + straight through outlets with every interceptor - plugs provided to thread into outlets not required. Cast iron drainage fittings and steel nipples included. Draw-off valve, add **\$102.00** Net.

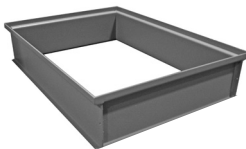
MI-ROC-LO SERIES - LOW ROUGH-IN GREASE INTERCEPTORS WITH RECESSABLE LID

MODEL #	ROCKFORD NUMBER	LIST PRICE	FIRST 6" Ext. (-C)	EACH 1" AFTER	SEDIMENT BUCKET (-SB)	FILTER MEDIUM (-FM)	EPOXY COATING (-ARE)	REINFORCED COVER (-HD)	ANCHOR FLANGE (-FL)	MEMBRANE CLAMP (-C)
MI-ROC-LO-1	G(F)-23-LO, RTO-16-LO	\$1,311.00	\$372.00	\$391.00	\$468.00	\$129.00	INCLUDED	\$201.00	\$1,034.00	\$636.00
MI-ROC-LO-2	G(F)-25-LO, RTO-20-LO	\$1,866.00	\$631.00	\$663.00	\$468.00	\$135.00	INCLUDED	\$276.00	\$1,369.00	\$698.00
MI-ROC-LO-3	G(F)-30-LO, RTO-30-LO	\$2,561.00	\$674.00	\$708.00	\$499.00	\$142.00	INCLUDED	\$303.00	\$1,391.00	\$725.00
MI-ROC-LO-4	G(F)-36-LO	\$2,991.00	\$757.00	\$796.00	\$499.00	\$149.00	INCLUDED	\$315.00	\$1,574.00	\$771.00
MI-ROC-LO-5	G(F)-45-LO, RTO-40-LO	\$3,564.00	\$844.00	\$887.00	\$499.00	\$166.00	INCLUDED	\$329.00	\$1,707.00	\$806.00
MI-ROC-LO-6	G(F)-50-LO	\$3,984.00	\$972.00	\$1,022.00	\$499.00	\$175.00	INCLUDED	\$345.00	\$1,872.00	\$839.00

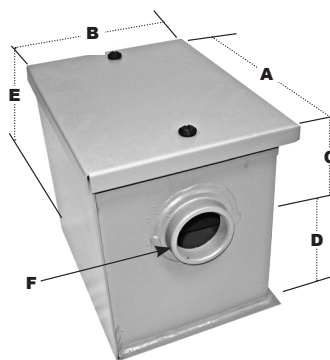
MI-ROC 6" BOLT ON EXTENSIONS

Bolt on extensions can be stacked in 6" increments.

MODEL #	LIST PRICE
MI-ROC-BO-1-6	\$407.00
MI-ROC-BO-2-6	\$516.00
MI-ROC-BO-3-6	\$544.00
MI-ROC-BO-4-6	\$564.00
MI-ROC-BO-5-6	\$588.00
MI-ROC-BO-6-6	\$634.00
MI-ROC-BO-7-6	\$742.00
MI-ROC-BO-8-6	\$1,090.00
MI-ROC-BO-9-6	\$1,174.00
MI-ROC-BO-10-6	\$1,615.00
MI-ROC-BO-11-6	\$1,986.00
MI-ROC-BO-12-6	\$2,257.00


Bolt On Extension

Note: Custom bolt on extensions can be manufactured upon request. Please contact MIFAB for pricing.

MI-GO SERIES - RESIDENTIAL GREASE INTERCEPTORS WITH WRAP AROUND LID


MI-GO-1
steel interceptor illustrated



MI-GO-1-PL HDPE
interceptor illustrated

MIFAB #	ROCKFORD	HICO	LIST PRICE	US GPM	CAP LBS.	OVERALL DIMENSIONS					
						A	B	C	D	F	E
MI-GO-1	NO. ALT.	NO. ALT.	\$234.00	8	12	11 1/2"	8 3/4"	3 3/4"	6 1/2"	2" F.I.P.	10 1/4"
MI-GO-2	G-1012	3630	\$697.00	8	12	11 1/2"	8 3/4"	4 1/4"	6"	2" F.I.P.	10 1/4"
MI-GO-3	G-1815	3631	\$1,277.00	16	60	18 7/8"	10 3/4"	4 1/2"	11"	2" F.I.P.	15 1/2"
MI-GO-4	G-1820	3632	\$1,624.00	20	70	20 3/4"	14 3/4"	6"	12"	2" F.I.P.	16"
MI-GO-1-PL	NO. ALT.	NO. ALT.	\$297.00	8	12	11 1/2"	8 3/4"	3 3/4"	6 1/2"	2" F.I.P.	10 1/4"

CALIFORNIA PROPOSITION 65 WARNING. This product contains chemicals known to the State of California to cause cancer and birth defects or other reproductive harm.

Design and dimensions are subject to modification. Prices do not include applicable taxes.

Visit www.mifab.com for the most recent product information.

MIFAB®, Inc., 1321 West 119th Street, Chicago, Illinois 60643-5109, USA

Toll Free: 1-800-465-2736, Fax: 1-773-341-3049

All sales subject to MIFAB's® Terms and Warranties. Please refer to page 3.

sales@mifab.com Canada Toll Free: 1-800-387-3880

HY-1000-NPB

NON FREEZE WALL HYDRANT



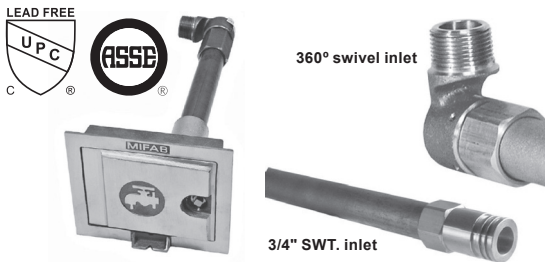
The HY-1000-NPB Series hydrants feature a combination 3/4" SWT. and 1" M.I.P. inlet connection that swivels 360° to any position for easy connection to the water supply. The swivel connection can be removed for a straight back 3/4" SWT. inlet connection.

MODEL #	DESCRIPTION	LIST PRICE	SUFFIX (ADD) -HC1	SUFFIX (ADD) -WC	WEIGHT
HY-1004-NPB	Non freeze, exposed, 4"	\$311.00	\$35.00	\$22.00	5.0 lbs.
HY-1006-NPB	Non freeze, exposed, 6"	\$311.00	\$35.00	\$22.00	6.0 lbs.
HY-1008-NPB	Non freeze, exposed, 8"	\$311.00	\$35.00	\$22.00	7.0 lbs.
HY-1010-NPB	Non freeze, exposed, 10"	\$332.00	\$35.00	\$22.00	7.5 lbs.
HY-1012-NPB	Non freeze, exposed, 12"	\$332.00	\$35.00	\$22.00	8.0 lbs.
HY-1014-NPB	Non freeze, exposed, 14"	\$332.00	\$35.00	\$22.00	8.0 lbs.
HY-1016-NPB	Non freeze, exposed, 16"	\$332.00	\$35.00	\$22.00	9.0 lbs.
HY-1018-NPB	Non freeze, exposed, 18"	\$351.00	\$35.00	\$22.00	10.0 lbs.
HY-1020-NPB	Non freeze, exposed, 20"	\$351.00	\$35.00	\$22.00	11.0 lbs.
HY-1022-NPB	Non freeze, exposed, 22"	\$351.00	\$35.00	\$22.00	11.0 lbs.
HY-1024-NPB	Non freeze, exposed, 24"	\$351.00	\$35.00	\$22.00	12.0 lbs.



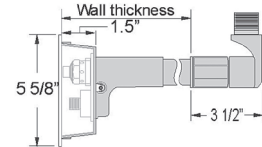
HY-2000-NPB

ENCASED NON FREEZE WALL HYDRANT



The HY-2000-NPB Series hydrants feature a combination 3/4" SWT. and 1" M.I.P. inlet connection that swivels 360° to any position for easy connection to the water supply. The swivel connection can be removed for a straight back 3/4" SWT. inlet connection.

RECOMMENDED WALL
OPENING:
5 1/4" x 6 1/4"



MODEL #	DESCRIPTION	LIST PRICE	SUFFIX (ADD) -HC1	SUFFIX (ADD) -WC	SUFFIX (ADD) -K	SUFFIX (ADD) -S	WEIGHT
HY-2006-NPB	Non freeze, encased, 6"	\$620.00	\$35.00	\$22.00	\$57.00	NO ADD	7.0 lbs.
HY-2008-NPB	Non freeze, encased, 8"	\$620.00	\$35.00	\$22.00	\$57.00	NO ADD	8.0 lbs.
HY-2010-NPB	Non freeze, encased, 10"	\$640.00	\$35.00	\$22.00	\$57.00	NO ADD	9.0 lbs.
HY-2012-NPB	Non freeze, encased, 12"	\$640.00	\$35.00	\$22.00	\$57.00	NO ADD	9.5 lbs.
HY-2014-NPB	Non freeze, encased, 14"	\$640.00	\$35.00	\$22.00	\$57.00	NO ADD	10.0 lbs.
HY-2016-NPB	Non freeze, encased, 16"	\$640.00	\$35.00	\$22.00	\$57.00	NO ADD	10.0 lbs.
HY-2018-NPB	Non freeze, encased, 18"	\$660.00	\$35.00	\$22.00	\$57.00	NO ADD	11.0 lbs.
HY-2020-NPB	Non freeze, encased, 20"	\$660.00	\$35.00	\$22.00	\$57.00	NO ADD	12.0 lbs.
HY-2022-NPB	Non freeze, encased, 22"	\$660.00	\$35.00	\$22.00	\$57.00	NO ADD	13.0 lbs.
HY-2024-NPB	Non freeze, encased, 24"	\$660.00	\$35.00	\$22.00	\$57.00	NO ADD	13.0 lbs.
HY-2026-NPB	Non freeze, encased, 26"	\$660.00	\$35.00	\$22.00	\$57.00	NO ADD	14.0 lbs.

HY-3000-NPB

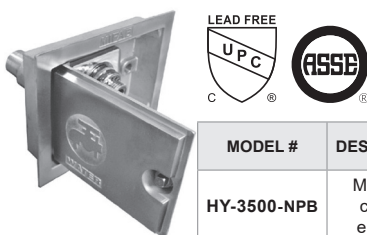
MODERATE CLIMATE WALL HYDRANT with 3/4" F.I.P. and 1" M.I.P. WATER SUPPLY INLET CONNECTION



MODEL #	DESCRIPTION	LIST PRICE	SUFFIX (ADD) -HC1	WEIGHT
HY-3000-NPB	Moderate climate, exposed	\$252.00	\$35.00	3.0 lbs.

HY-3500-NPB

ENCASED MODERATE CLIMATE WALL HYDRANT with 3/4" F.I.P. and 1" M.I.P. WATER SUPPLY INLET CONNECTION



RECOMMENDED WALL OPENING
5 1/4" x 6 1/4". 1 1/2" OVERALL BOX DEPTH.

MODEL #	DESCRIPTION	LIST PRICE	SUFFIX (ADD) -HC1	SUFFIX (ADD) -K	SUFFIX (ADD) -S	WEIGHT
HY-3500-NPB	Moderate climate, encased	\$561.00	\$35.00	\$57.00	NO ADD	5.0 lbs.

"MIFAB's unique 360 degree swivel wall hydrant design is the most versatile the industry offers. It makes for easy installation from any direction."

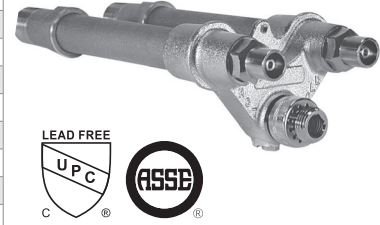
- Dewey Ayers, Sales Professional, Maumee Supply, Cleveland, OH

CALIFORNIA PROPOSITION 65 WARNING. This product contains chemicals known to the State of California to cause cancer and birth defects or other reproductive harm.

HY-4000-NPB

HOT AND COLD COMMERCIAL NON-FREEZE WALL HYDRANT with 3/4" F.I.P. and 1" M.I.P. WATER SUPPLY INLET CONNECTION

MODEL #	DESCRIPTION	LIST PRICE	SUFFIX (ADD) -HC1	SUFFIX (ADD) -WC	WEIGHT
HY-4004-NPB	Hot and cold, exposed, 4"	\$773.00	\$35.00	\$22.00	6.0 lbs.
HY-4006-NPB	Hot and cold, exposed, 6"	\$773.00	\$35.00	\$22.00	7.0 lbs.
HY-4008-NPB	Hot and cold, exposed, 8"	\$773.00	\$35.00	\$22.00	8.0 lbs.
HY-4010-NPB	Hot and cold, exposed, 10"	\$797.00	\$35.00	\$22.00	8.5 lbs.
HY-4012-NPB	Hot and cold, exposed, 12"	\$797.00	\$35.00	\$22.00	9.0 lbs.
HY-4014-NPB	Hot and cold, exposed, 14"	\$797.00	\$35.00	\$22.00	10.0 lbs.
HY-4016-NPB	Hot and cold, exposed, 16"	\$797.00	\$35.00	\$22.00	11.0 lbs.
HY-4018-NPB	Hot and cold, exposed, 18"	\$822.00	\$35.00	\$22.00	12.0 lbs.
HY-4020-NPB	Hot and cold, exposed, 20"	\$822.00	\$35.00	\$22.00	14.0 lbs.
HY-4022-NPB	Hot and cold, exposed, 22"	\$822.00	\$35.00	\$22.00	15.0 lbs.
HY-4024-NPB	Hot and cold, exposed, 24"	\$822.00	\$35.00	\$22.00	16.0 lbs.



HY-4500-NPB

ENCASED HOT AND COLD COMMERCIAL NON-FREEZE WALL HYDRANT with 1" M.I.P. & 3/4" SWT. WATER SUPPLY INLET CONNECTION

RECOMMENDED WALL OPENING

7 5/8" x 5 3/4". 3 5/8" OVERALL BOX DEPTH.



MODEL #	DESCRIPTION	LIST PRICE	SUFFIX (ADD) -HC1	SUFFIX (ADD) -WC	SUFFIX (ADD) -K	WEIGHT
HY-4508-NPB	Hot and cold, commercial, encased, 8"	\$1,255.00	\$35.00	\$22.00	\$57.00	16.0 lbs.
HY-4510-NPB	Hot and cold, commercial, encased, 10"	\$1,277.00	\$35.00	\$22.00	\$57.00	17.0 lbs.
HY-4512-NPB	Hot and cold, commercial, encased, 12"	\$1,277.00	\$35.00	\$22.00	\$57.00	18.0 lbs.
HY-4514-NPB	Hot and cold, commercial, encased, 14"	\$1,277.00	\$35.00	\$22.00	\$57.00	18.5 lbs.
HY-4516-NPB	Hot and cold, commercial, encased, 16"	\$1,277.00	\$35.00	\$22.00	\$57.00	19.0 lbs.
HY-4518-NPB	Hot and cold, commercial, encased, 18"	\$1,301.00	\$35.00	\$22.00	\$57.00	20.0 lbs.
HY-4520-NPB	Hot and cold, commercial, encased, 20"	\$1,301.00	\$35.00	\$22.00	\$57.00	21.0 lbs.
HY-4522-NPB	Hot and cold, commercial, encased, 22"	\$1,301.00	\$35.00	\$22.00	\$57.00	22.0 lbs.
HY-4524-NPB	Hot and cold, commercial, encased, 24"	\$1,301.00	\$35.00	\$22.00	\$57.00	24.0 lbs.
HY-4526-NPB	Hot and cold, commercial, encased, 26"	\$1,301.00	\$35.00	\$22.00	\$57.00	25.0 lbs.
HY-4528-NPB	Hot and cold, commercial, encased, 28"	\$1,301.00	\$35.00	\$22.00	\$57.00	26.0 lbs.

HY-5000-NPB

NARROW WALL MODERATE CLIMATE WALL HYDRANT

The HY-5000-NPB Series hydrants feature a combination 3/4" SWT. and 1" M.I.P. inlet connection that swivels 360° to any position for easy connection to the water supply. The overall depth of the HY-5000-NPB is 2 5/8".



MODEL #	DESCRIPTION	LIST PRICE	SUFFIX (ADD) -HC1	WEIGHT
HY-5000-NPB	Narrow wall, exposed	\$228.00	\$35.00	3.25 lbs.

"The MIFAB narrow wall hydrant is perfect for an under counter restroom wash down hydrant. With an overall depth of 2-5/8" it easily fits inside a 2" x 4" wall with or without tile."

– Steve Calhoun, Principal, Blackjack Mountain Marketing, Inc., Little Rock, AR

HY-5500-NPB

ENCASED NARROW WALL MODERATE CLIMATE WALL HYDRANT

The HY-5500-NPB Series hydrants feature a combination 3/4" SWT. and 1" M.I.P. inlet connection that swivels 360° to any position for easy connection to the water supply.



RECOMMENDED WALL OPENING

5 1/4" x 6 1/4". 3 15/16" OVERALL DEPTH.

MODEL #	DESCRIPTION	LIST PRICE	SUFFIX (ADD) -HC1	SUFFIX (ADD) -K	SUFFIX (ADD) -S	WEIGHT
HY-5500-NPB	Moderate climate, narrow wall, encased	\$534.00	\$35.00	\$57.00	NO ADD	5.25 lbs.

CALIFORNIA PROPOSITION 65 WARNING. This product contains chemicals known to the State of California to cause cancer and birth defects or other reproductive harm.

Design and dimensions are subject to modification. Prices do not include applicable taxes.

Visit www.mifab.com for the most recent product information.

MIFAB[®], Inc., 1321 West 119th Street, Chicago, Illinois 60643-5109, USA

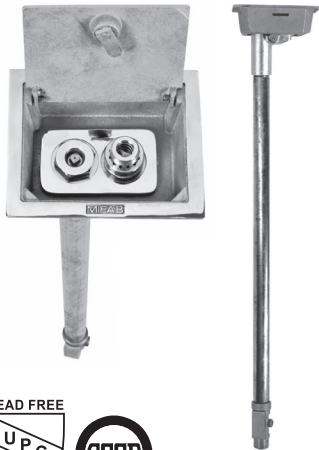
Toll Free: 1-800-465-2736, Fax: 1-773-341-3049

All sales subject to MIFAB's[®] Terms and Warranties. Please refer to page 3.

sales@mifab.com Canada Toll Free: 1-800-387-3880

HY-6000-NPB

GROUND / LAWN HYDRANT



RECOMMENDED GROUND OPENING - 5 1/4" x 6 1/4".

MODEL #	DESCRIPTION	LIST PRICE	SUFFIX (ADD) -HC1	SUFFIX (ADD) -K	WEIGHT
HY-6001-NPB	Ground hydrant, 1' bury	\$724.00	\$35.00	\$57.00	10 Lbs.
HY-6002-NPB	Ground hydrant, 2' bury	\$724.00	\$35.00	\$57.00	13 Lbs.
HY-6003-NPB	Ground hydrant, 3' bury	\$747.00	\$35.00	\$57.00	16 Lbs.
HY-6004-NPB	Ground hydrant, 4' bury	\$759.00	\$35.00	\$57.00	19 Lbs.
HY-6005-NPB	Ground hydrant, 5' bury	\$772.00	\$35.00	\$57.00	22 Lbs.
HY-6006-NPB	Ground hydrant, 6' bury	\$784.00	\$35.00	\$57.00	25 Lbs.
HY-6007-NPB	Ground hydrant, 7' bury	\$798.00	\$35.00	\$57.00	28 Lbs.

MODEL #	DESCRIPTION	LIST PRICE
HY-60-RK-NPB	Repair kit for HY-6000-NPB	\$173.00



HY-6500-NPB

POST HYDRANT



MODEL #	DESCRIPTION	OVERALL LENGTH	LIST PRICE	WEIGHT
HY-6501-NPB	Post hydrant, 1' bury	36"	\$309.00	20 Lbs.
HY-6502-NPB	Post hydrant, 2' bury	48"	\$322.00	24 Lbs.
HY-6503-NPB	Post hydrant, 3' bury	60"	\$332.00	28 Lbs.
HY-6504-NPB	Post hydrant, 4' bury	72"	\$342.00	32 Lbs.
HY-6505-NPB	Post hydrant, 5' bury	84"	\$351.00	36 Lbs.
HY-6506-NPB	Post hydrant, 6' bury	96"	\$361.00	40 Lbs.
HY-6507-NPB	Post hydrant, 7' bury	108"	\$371.00	44 Lbs.

MODEL #	DESCRIPTION	LIST PRICE
HY-65-RK-NPB	Repair kit for HY-6500-NPB	\$204.00
HY-9005-B-NPB	A.S.S.E. 1011 Approved Rough Brass Vacuum Breaker	\$27.00

HY-6800-NPB

YARD HYDRANT



MODEL #	DESCRIPTION	OVERALL LENGTH	LIST PRICE	SUFFIX (ADD) -HC1	SUFFIX (ADD) -VB	WEIGHT
HY-6801-NPB	Yard hydrant, 1' bury	36"	\$171.00	\$35.00	\$22.00	10 Lbs.
HY-6802-NPB	Yard hydrant, 2' bury	48"	\$180.00	\$35.00	\$22.00	12 Lbs.
HY-6803-NPB	Yard hydrant, 3' bury	60"	\$190.00	\$35.00	\$22.00	17 Lbs.
HY-6804-NPB	Yard hydrant, 4' bury	72"	\$199.00	\$35.00	\$22.00	19 Lbs.
HY-6805-NPB	Yard hydrant, 5' bury	84"	\$211.00	\$35.00	\$22.00	22 Lbs.
HY-6806-NPB	Yard hydrant, 6' bury	96"	\$221.00	\$35.00	\$22.00	24 Lbs.
HY-6807-NPB	Yard hydrant, 7' bury	108"	\$230.00	\$35.00	\$22.00	26 Lbs.
HY-6808-NPB	Yard hydrant, 8' bury	120"	\$241.00	\$35.00	\$22.00	28 Lbs.

MODEL #	DESCRIPTION	LIST PRICE
HY-68-RK-NPB	Repair kit for HY-6800-NPB	\$178.00
HY-9005-B-NPB	A.S.S.E. 1011 Approved Rough Brass Vacuum Breaker	\$22.00

"The 360-degree swivel tailpiece connection with triple O-ring seals on MIFAB hydrants allows my customers a safer, faster, and easier installation keeping them from having to sweat an elbow on the end." – Tim Mulholland, Engineering Specialist, Mullen Corporation, Tampa FL

CALIFORNIA PROPOSITION 65 WARNING. This product contains chemicals known to the State of California to cause cancer and birth defects or other reproductive harm.

HY-9000-NPB

ROUGH BRASS WALL FAUCET with VACUUM BREAKER


MODEL #	FINISH	OPERATING DEVICE	INLET CONNECTION	LIST PRICE	WEIGHT
HY-9040-NPB	Rough brass	Operating loose tee key, cast iron wheel handle, brown plastic and clear plastic wheel handle all included	1/2" F.P.T.	\$70.00	1.25 lbs.
HY-9041-NPB	Rough brass	Operating loose tee key, cast iron wheel handle, brown plastic and clear plastic wheel handle all included	3/4" F.P.T.	\$70.00	1.25 lbs.
HY-90-RK-NPB	Repair kit for HY-9000-NPB of Hydrants			\$30.00	
HY-9000-VB	A.S.S.E. 1011 Approved Rough Brass Vacuum Breaker (to replace vacuum breaker on the HY-9040-NPB or HY-9041-NPB)			\$22.00	

Illustrated with brown plastic wheel handle



"MIFAB has taken the guess work out of which handle needs to be ordered with the HY-9000 wall faucet. They include 4 handle types with every order so our customers get to choose the correct one."

- Hans Haas, Principal, SPEC 22 Sales, Charlotte, NC

 Part # HY-9001 Brown Plastic Wheel Handle	 Part # HY-9002 Clear Plastic Wheel Handle	 Part # HY-9003 Cast Iron Wheel Handle	 Part # HY-9004 Loose Tee Key
--	--	---	---

Note: All four of the above handles are shipped with every HY-9040-NPB, HY-9041-NPB, HY-9240-NPB, and HY-9241-NPB.

HY-9200-NPB

POLISHED CHROME PLATED WALL FAUCET with VACUUM BREAKER

MODEL #	FINISH	OPERATING DEVICE	CONNECTION	LIST PRICE	WEIGHT
HY-9240-NPB	Polished Chrome Plated	Operating loose tee key, cast iron wheel handle, brown plastic and clear plastic wheel handle all included	1/2" F.P.T.	\$92.00	1.25 lbs.
HY-9241-NPB	Polished Chrome Plated	Operating loose tee key, cast iron wheel handle, brown plastic and clear plastic wheel handle all included	3/4" F.P.T.	\$92.00	1.25 lbs.
HY-90-RK-NPB	Repair kit for HY-9200-NPB of Hydrants			\$30.00	
HY-9000-VB-49	A.S.S.E. 1011 Approved Polished Chrome Plated Vacuum Breaker (to replace vacuum breaker on the HY-9240-NPB or HY-9241-NPB)			\$22.00	

Illustrated with brown plastic wheel handle



HY-9500

HYDRANT BOXES FOR WALL FAUCETS

MODEL #	DESCRIPTION	LIST PRICE	WEIGHT
HY-9500	Rough Brass box only - hydrant extra	\$355.00	10 lbs.
HY-9500-49	Chrome Plated Brass box only - hydrant extra	\$520.00	10 lbs.
HY-9500-K	Rough Brass box only with cylinder key lock - hydrant extra	\$412.00	10.25 lbs.
HY-9500-49-K	Chrome Plated Brass box only with cylinder key lock - hydrant extra	\$575.00	10.25 lbs.

Add the List Price of the HY-9000-NPB wall faucet required to the List Price of the HY-9500 box to determine the total List Price for an encased HY-9000-NPB Series wall faucet.

To order an encased HY-9000-NPB Series wall faucet, specify the HY-9000-NPB MODEL # followed by the HY-9500 MODEL #. (e.g. HY-9241-NPB w/HY-9500). The HY-9000-NPB Series wall faucets with cast iron wheel handles are not intended for use with the HY-9500 box.



HY-9241-NPB with HY-9500

CALIFORNIA PROPOSITION 65 WARNING. This product contains chemicals known to the State of California to cause cancer and birth defects or other reproductive harm.

Design and dimensions are subject to modification. Prices do not include applicable taxes.

Visit www.mifab.com for the most recent product information.

MIFAB[®], Inc., 1321 West 119th Street, Chicago, Illinois 60643-5109, USA
 All sales subject to MIFAB's[®] Terms and Warranties. Please refer to page 3.

Toll Free: 1-800-465-2736, Fax: 1-773-341-3049
 sales@mifab.com Canada Toll Free: 1-800-387-3880

HY-1500

WALL HYDRANT BOXES



HY-1500-1-S

HY-1500-1

HY-1500-3

HY-1500-49

HY-4100 BOX

MIFAB's HY-1500 Series hydrant boxes feature a "drip lip" to drain water away from the wall to prevent unsightly staining. Standard with all of MIFAB's HY-1500-S hydrant boxes are four 1" x 1-1/4" slots on top and two sides of the box to receive the mounting brackets provided. Hardware is included to fasten the brackets to the box. The mounting brackets are designed to provide easy installation of the hydrant box onto the stud system for labor savings.

"We have sold the MIFAB hydrants and boxes. To date, no complaints or concerns. No news is always good news. They work well."

– Doug Murphy, Eddy Group, Halifax, Nova Scotia

MODEL #	DESCRIPTION	LIST PRICE	WEIGHT
HY-1500-1	Satin Finish, Nickel Bronze Box	\$310.00	3.25 lbs.
HY-1500-1-K	Satin Finish, Nickel Bronze Box with cylinder key lock	\$367.00	3.50 lbs.
HY-1500-1-S	Satin Finish, Nickel Bronze Box With Slots, Mounting Brackets, Hardware	\$310.00	4.5 lbs.
HY-1500-1-NL	Satin Finish, Nickel Bronze Box With no Drip Lip and Flush Cover for use with HY-6000-NPB Ground Hydrants	\$310.00	3.25 lbs.
HY-1500-2	Polished Brass Plated, Nickel Bronze Box	\$419.00	3.25 lbs.
HY-1500-2-S	Polished Brass Plated, Nickel Bronze Box With Slots, Mounting Brackets and Hardware	\$419.00	4.5 lbs.
HY-1500-3	Satin Finish, Stainless Steel Box	\$310.00	3.25 lbs.
HY-1500-3-NL	Satin Finish, Stainless Steel Box with no Drip Lip and Flush Cover for use with HY-6000-NPB Ground Hydrants	\$310.00	3.50 lbs.
HY-1500-3-RB	Satin Finish, Stainless Steel box with round back for core drilling	\$310.00	4.00 lbs.
HY-1500-3-S	Satin Finish, Stainless Steel Box With Slots, Mounting Brackets, Hardware	\$310.00	4.5 lbs.
HY-1500-49	Polished Chrome Plated, Nickel Bronze Box	\$310.00	3.25 lbs.
HY-1500-49-S	Polished Chrome Plated, Nickel Bronze Box With Slots, Mounting Brackets and Hardware	\$310.00	4.5 lbs.
HY-1600-3	Satin Finish, Fabricated Stainless Steel Deep Rough-in Box for use with -52 encased HY-2000-NPB Hydrants	\$310.00	2 lbs.
HY-4100-1	Satin Finish, Nickel Bronze Box for HY-4000-NPB Hydrants	\$483.00	20 lbs.
HY-4100-2	Polished Brass Plated, Nickel Bronze Box for HY-4000-NPB Hydrants	\$616.00	20 lbs.
HY-4100-49	Polished Chrome Plated, Nickel Bronze Box for HY-4000-NPB Hydrants	\$483.00	20 lbs.

HYDRANT REPAIR KITS and ACCESSORIES



The HY-9006-CP-NPB is available with the HY-1000 Hydrants. Specify Suffix -52. The HY-9006-CP-NPB is available with the HY-2000 Series. Specify the HY-1600 Hydrant Box for the Deeper Rough-in required to encase the hydrant with the HY-9006-CP-NPB vacuum breaker attached.

MODEL #	DESCRIPTION	LIST PRICE	WEIGHT
HY-CIA-18-A	18" Long Universal Repair Kit for HY-1000-NPB and HY-2000-NPB of Hydrants	\$86.00	2 lbs.
HY-CIA-30/50	Repair Kit for HY-3000-NPB and HY-5000-NPB of Hydrants	\$72.00	1 lbs.
HY-CIA-4000	Repair Kit for HY-4000-NPB of Hydrants	\$158.00	4 lbs.
HY-H01	Wall Clamp for HY-1000-NPB, HY-2000-NPB, HY-4000-NPB, HY-4500-NPB Hydrants (Suffix -WC)	\$22.00	.50 lbs.
HY-9001	Brown Plastic Wheel Handle only	\$22.00	.25 lbs.
HY-9002	Clear Plastic Wheel Handle only	\$22.00	.25 lbs.
HY-9003	Cast Iron Wheel Handle only	\$22.00	.25 lbs.
HY-9004	Short Loose Tee Key (HY-9000) Breaker	\$22.00	.20 lbs.
HY-1000-CP-NPB	A. S. S. E. 1011 Approved Polished Chrome Plated Vacuum Breaker (HY-1000-NPB, 3000, 5000 and 6000) (Used to repair the vacuum breaker on the HY-1000 Series hydrants)	\$32.00	.25 lbs.
HY-9005-B-NPB	A. S. S. E. 1011 Approved Rough Brass Vacuum Breaker. (3/4" hose connection. Use to add a rough brass vacuum breaker to a standard hose spigot that does not have a vacuum breaker)	\$22.00	.25 lbs.
HY-9005-CP-NPB	A. S. S. E. 1011 Approved Polished Chrome Plated Vacuum Breaker. (3/4" hose connection. Use to add a polished chrome vacuum breaker to a standard hose spigot that does not have a vacuum breaker)	\$32.00	.25 lbs.
HY-9006-CP-NPB	A. S. S. E. 1052 Approved Double Check Polished Chrome Plated Vacuum	\$58.00	.25 lbs.
HY-HC1	1" M.I.P. Hose Connection Adaptor (to convert a 3/4" M.I.P. Hose) connection to a 1" M.I.P. hose connection. (Suffix -HC1)	\$35.00	.25 lbs.



HY-9005-CP-NPB

HY-9006-CP-NPB

HY-9000-VB	A.S.S.E. 1011 Approved Rough Brass Vacuum Breaker (to replace vacuum breaker on the HY-9040-NPB or HY-9041-NPB)	\$22.00
HY-9000-VB-49	A. S. S. E. 1011 Approved Polished Chrome Plated Vacuum Breaker (to replace vacuum breaker on the HY-9240-NPB or HY-9241-NPB)	\$22.00
-HY-1	Long loose operating tee key	\$20.00
-K	Cylinder Key Lock	\$57.00
-S	Slots in Hydrant Box, with Brackets and Mounting Hardware	No Add

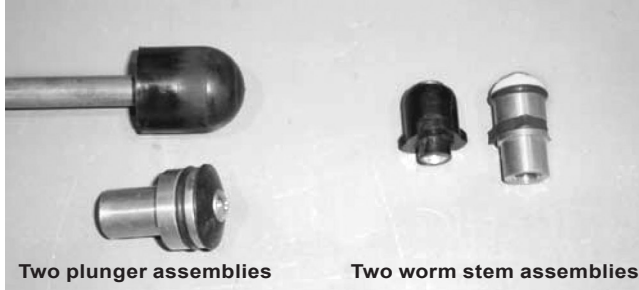
CALIFORNIA PROPOSITION 65 WARNING. This product contains chemicals known to the State of California to cause cancer and birth defects or other reproductive harm.

MHY-CIA-18-A (FOR ALL HY-1000-NPB, HY-2000-NPB, MHY-10-NPB and MHY-15-NPB, MHY-16-NPB, MHY-20-NPB, MHY-25-NPB AND MHY-26-NPB) COMPLETE INTERNAL ASSEMBLY REPLACEMENT INSTRUCTIONS - HYDRANT REPAIR KIT

This kit includes: 2-plunger assemblies; 2-worm stem assemblies; 2-lock nuts; 1-head nut seal; 1-tube thread locker; 1-tube lubricant

REMOVAL

Shut off water supply to hydrant and relieve water pressure.
 Remove hydrant stem assembly. (Do not disassemble. The old stem must remain assembled for reference dimensions.)
 Remove the old head nut seal.
 Note: The plunger tips provided in this kit will replace all old versions of plunger tips. See inset.



MEASUREMENT

Fully thread the appropriate worm stem assembly on to the 4-1/4" uninterrupted threaded end of the fully threaded rod. Lay the old stem assembly next to the new stem, aligning the o rings on the worm stem assemblies.

Mark the groove in the threaded rod that is closest to the end of the old plunger tip, but not past the plunger end.

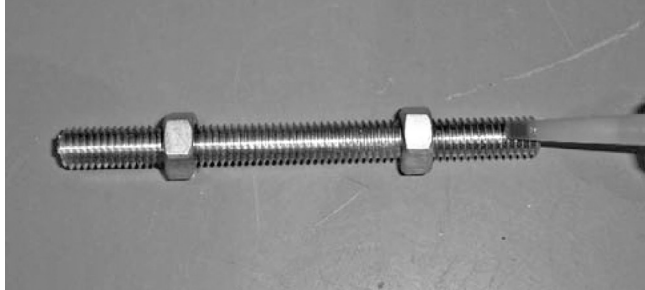
Using the appropriate holding fixture and a 32TPI hack saw, cut the threaded rod to the appropriate length.

Note: The undercut grooves in the threaded rod will guide the hack saw blade without the need for thread end "clean up" after cutting. See inset.



ASSEMBLY AND ADJUSTMENT

Remove the worm stem assembly from the cut rod and thread the two lock nuts onto the rod approximately 1" inward from each end.
 Apply thread locker to the two ends of the threaded rod (approx. 3/8" coverage) and a small amount to the internal threads of the plunger and worm assemblies.



Thread the worm stem assembly until seated fully and then thread the plunger assembly to match the length of the old hydrant stem assembly. (Remove excess thread locker.)

Note: Align the o rings of the two stems side by side and adjust the plunger tips to match.

Once the proper length has been attained, advance the lock nuts toward the two end assemblies and tighten with a 9/16" wrench.

Generously apply lubricant to the plunger tip seals, o ring, and worm stem screw threads.

"The MIFAB HY-1000 hydrants are easy to install."

– Malcolm Denos, Denos Plumbing, Montreal, Quebec

INSTALLATION

Install the new head nut seal into the body of the hydrant. Thread the worm screw fully into the head nut using a hydrant key.

Thread the head nut and stem assembly into the hydrant body and tighten.

Shut off the hydrant and open the water supply. Test the hydrant for proper function.



All sales subject to MIFAB's Terms and Warranties. Please refer to inside front cover.

CALIFORNIA PROPOSITION 65 WARNING. This product contains chemicals known to the State of California to cause cancer and birth defects or other reproductive harm.

Design and dimensions are subject to modification. Prices do not include applicable taxes.

Visit www.mifab.com for the most recent product information.

MIFAB[®], Inc., 1321 West 119th Street, Chicago, Illinois 60643-5109, USA

Toll Free: 1-800-465-2736, Fax: 1-773-341-3049

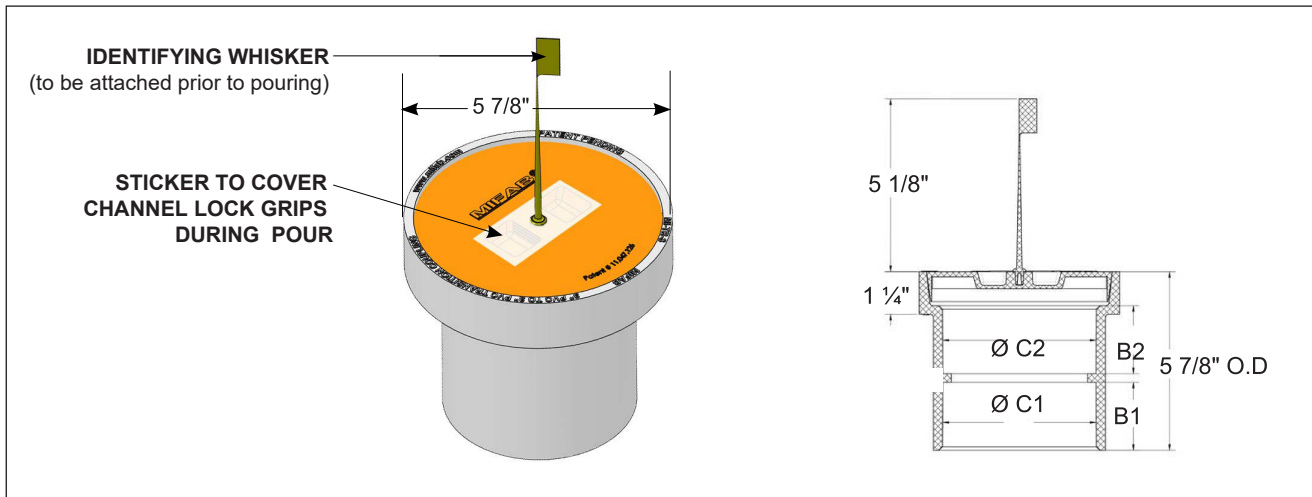
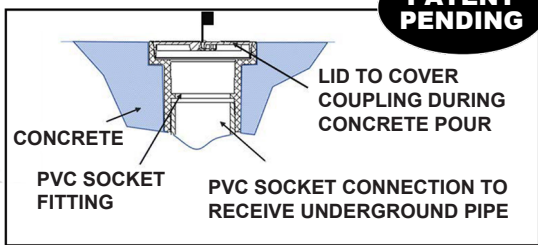
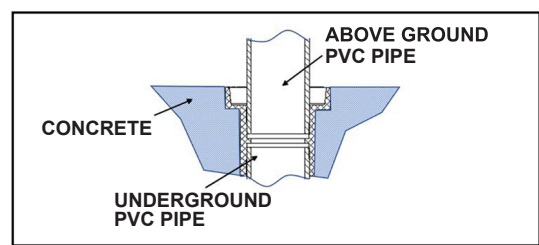
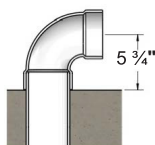
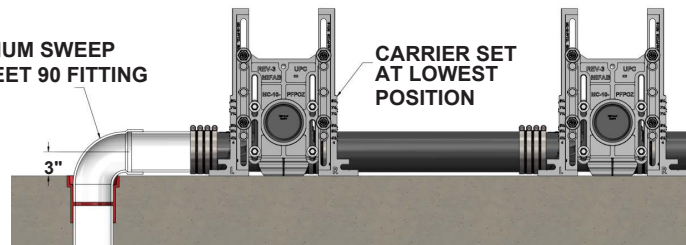
All sales subject to MIFAB's[®] Terms and Warranties. Please refer to page 3.

sales@mifab.com Canada Toll Free: 1-800-387-3880

MI-TR
PVC SOCKET TRANSITION COUPLING

Ideal for below ground to above ground PVC pipe connections. The bottom of the MI-TR has either a 2", 3", or 4" PVC socket connection and the inside of the top of the MI-TR also has either a 2", 3", or 4" PVC socket connection. The MI-TR is placed over the PVC pipe. The included orange cover will seal the top. An identifying whisker sticking up from the top of the orange cap provides location identification after the concrete pour covers the orange cover. Channel lock grips in the top of the orange cover (protected by a sticker) provide a means for the contractor to use channel locks to remove the cover after the concrete poured over the cover is removed. Once the orange cover is removed, one can socket weld a PVC pipe through the top of the MI-TR to complete the under ground PVC pipe to above ground PVC pipe connection.

MODEL #	A	SOCKET DEPTH (B1)	SOCKET DEPTH (B2)	PIPE OD (C1)	PIPE OD (C2)	LIST PRICE
MI-TR-2	3-9/16"	1-7/8"	1-7/8"	2" SCH.40 PVC	2" SCH.40 PVC	\$60.00
MI-TR-3	5"	1-3/16"	2"	3" SCH.40 PVC	3" SCH.40 PVC	\$60.00
MI-TR-4	5 1/4"	2"	1-3/16"	4" SCH.40 PVC	4" SCH.40 PVC	\$60.00


1. POUR CONCRETE

2. REMOVE AND ATTACH THE UPPER PIPE

WITHOUT MI-TR MINIMUM DIM IS...

MEDIUM SWEEP STREET 90 FITTING


The MI-TR can also be used to receive a medium sweep street 90 fitting from the horizontal waste line from an off the floor water closet carrier fitting. The MI-TR will be installed in the ground, flush to grade, over PVC drain pipe. This allows one or two more water closet carriers to be installed and still have enough vertical space to connect the horizontal carrier fitting waste line with a medium sweep street 90 fitting to the MI-TR transition coupling.

CALIFORNIA PROPOSITION 65 WARNING. This product contains chemicals known to the State of California to cause cancer and birth defects or other reproductive harm.



LIDS FOR MCL SERIES GREASE INTERCEPTORS

MODEL #	DESCRIPTION	BOLTS FOR LID REQ.	LIST PRICE
MCL-G-0-LID	Epoxy Lid for MCL-G-0	1	\$236.00
MCL-G-1-LID	Epoxy Lid for MCL-G-1	1	\$263.00
MCL-G-2-LID	Epoxy Lid for MCL-G-2	1	\$315.00
MCL-G-3-LID	Epoxy Lid for MCL-G-3	1	\$368.00
MCL-G-4-LID	Epoxy Lid for MCL-G-4	1	\$446.00
MCL-G-5-LID	Epoxy Lid for MCL-G-5	1	\$604.00
MCL-G-6-LID	Epoxy Lid for MCL-G-6	4	\$735.00
MCL-G-7-LID	Epoxy Lid for MCL-G-7	4	\$840.00
XL-MCL-G-0-LID	Epoxy Lids for XL-MCL-G-0	8	\$1,050.00
XL-MCL-G-1-LID	Epoxy Lids for XL-MCL-G-1	8	\$1,155.00
MCL-G-L-20-LID	Epoxy Lid for MCL-G-L-20	4	\$630.00
MCL-G-L-35-LID	Epoxy Lids for MCL-G-L-35	4	\$945.00

CROSS BARS FOR MCL SERIES GREASE INTERCEPTORS

MODEL #	DESCRIPTION	LIST PRICE
MCL-G-0-XBAR	Cross Bar & Cotter Pins for MCL-G-0	\$105.00
MCL-G-1-XBAR	Cross Bar & Cotter Pins for MCL-G-1	\$116.00
MCL-G-2-XBAR	Cross Bar & Cotter Pins for MCL-G-2	\$126.00
MCL-G-3-XBAR	Cross Bar & Cotter Pins for MCL-G-3	\$137.00
MCL-G-4-XBAR	Cross Bar & Cotter Pins for MCL-G-4	\$147.00
MCL-G-5-XBAR	Cross Bar & Cotter Pins for MCL-G-5	\$158.00
MCL-G-6-XBAR	Cross Bar & Cotter Pin set for MCL-G-6	\$168.00
MCL-G-7-XBAR	Cross Bar & Cotter Pin set for MCL-G-7	\$184.00
XL-MCL-G-0-XBAR	Cross Bar & Cotter Pin set for XL-MCL-G-0	\$315.00
XL-MCL-G-1-XBAR	Cross Bar & Cotter Pin set for XL-MCL-G-1	\$420.00
MCL-G-L-20-XBAR	Cross Bar & Cotter Pin set for MCL-G-L-20	\$147.00
MCL-G-L-35-XBAR	Cross Bar & Cotter Pin set for MCL-G-L-35	\$168.00

CROSS BARS FOR MCL SERIES GREASE INTERCEPTORS

MODEL #	DESCRIPTION	LIST PRICE
FLCT-0	2" IPS 4 GPM FLOW CONTROL FITTING	\$105.00
FLCT-1	2" IPS 7 GPM FLOW CONTROL FITTING	\$116.00
FLCT-2	2" IPS 10 GPM FLOW CONTROL FITTING	\$126.00
FLCT-3	2" IPS 15 GPM FLOW CONTROL FITTING	\$137.00
FLCT-4	3" IPS 20 GPM FLOW CONTROL FITTING	\$147.00
FLCT-5	3" IPS 25 GPM FLOW CONTROL FITTING	\$158.00
FLCT-6	3" IPS 35 GPM FLOW CONTROL FITTING	\$168.00
FLCT-7	3" IPS 50 GPM FLOW CONTROL FITTING	\$184.00
FLCT-XL-0	4" IPS 75 GPM FLOW CONTROL FITTING	\$315.00
FLCT-XL-1	4" IPS 100 GPM FLOW CONTROL FITTING	\$420.00
FLC-0	2" NH 4 GPM FLOW CONTROL FITTING	\$105.00
FLC-1	2" NH 7 GPM FLOW CONTROL FITTING	\$116.00
FLC-2	2" NH 10 GPM FLOW CONTROL FITTING	\$126.00
FLC-3	2" NH 15 GPM FLOW CONTROL FITTING	\$137.00
FLC-4	3" NH 20 GPM FLOW CONTROL FITTING	\$147.00
FLC-5	3" NH 25 GPM FLOW CONTROL FITTING	\$158.00
FLC-6	3" NH 35 GPM FLOW CONTROL FITTING	\$168.00
FLC-7	3" NH 50 GPM FLOW CONTROL FITTING	\$184.00
FLC-XL-0	4" NH 75 GPM FLOW CONTROL FITTING	\$315.00
FLC-XL-1	4" NH 100 GPM FLOW CONTROL FITTING	\$420.00

LIDS FOR MI-ROC SERIES GREASE INTERCEPTORS

MODEL #	DESCRIPTION	BOLTS FOR LID REQ.	LIST PRICE
MI-ROC-1-LID	Epoxy Lid for MI-ROC-1	1	\$236.00
MI-ROC-2-LID	Epoxy Lid for MI-ROC-2	1	\$263.00
MI-ROC-3-LID	Epoxy Lid for MI-ROC-3	1	\$315.00
MI-ROC-4-LID	Epoxy Lid for MI-ROC-4	1	\$368.00
MI-ROC-5-LID	Epoxy Lid for MI-ROC-5	2	\$446.00
MI-ROC-6-LID	Epoxy Lid for MI-ROC-6	4	\$604.00
MI-ROC-7-LID	Epoxy Lid for MI-ROC-7	4	\$735.00
MI-ROC-8-LID	Epoxy Lid for MI-ROC-8	4	\$840.00
MI-ROC-9-LID	Epoxy Lid for MI-ROC-9	4	\$1,050.00
MI-ROC-10-LID	Epoxy Lid for MI-ROC-10	4	\$1,155.00
MI-ROC-11-LID	Epoxy Lid for MI-ROC-11	4	\$1,260.00
MI-ROC-12-LID	Epoxy Lids for MI-ROC-12	4	\$1,365.00
MI-ROC-LO-1-LID	Epoxy Lid for MI-ROC-LO-1	2	\$236.00

MI-ROC-LO-2-LID	Epoxy Lids for MI-ROC-LO-2	2	\$263.00
MI-ROC-LO-3-LID	Epoxy Lids for MI-ROC-LO-3	2	\$315.00
MI-ROC-LO-4-LID	Epoxy Lids for MI-ROC-LO-4	2	\$368.00
MI-ROC-LO-5-LID	Epoxy Lids for MI-ROC-LO-5	4	\$446.00
MI-ROC-LO-6-LID	Epoxy Lids for MI-ROC-LO-6	4	\$604.00

CROSS BARS FOR MI-ROC SERIES GREASE INTERCEPTORS

Part#	DESCRIPTION	LIST PRICE
MI-ROC-1-XBAR	Cross Bar & Cotter Pins for MI-ROC-1	\$105.00
MI-ROC-2-XBAR	Cross Bar & Cotter Pins for MI-ROC-2	\$116.00
MI-ROC-3-XBAR	Cross Bar & Cotter Pins for MI-ROC-3	\$126.00
MI-ROC-4-XBAR	Cross Bar & Cotter Pins for MI-ROC-4	\$137.00
MI-ROC-5-XBAR	Cross Bar & Cotter Pin set for MI-ROC-5	\$147.00
MI-ROC-6-XBAR	Cross Bar & Cotter Pin set for MI-ROC-6	\$158.00
MI-ROC-7-XBAR	Cross Bar & Cotter Pin set for MI-ROC-7	\$168.00
MI-ROC-8-XBAR	Cross Bar & Cotter Pin set for MI-ROC-8	\$184.00
MI-ROC-9-XBAR	Cross Bar & Cotter Pin set for MI-ROC-9	\$210.00
MI-ROC-10-XBAR	Cross Bar & Cotter Pin set for MI-ROC-10	\$263.00
MI-ROC-11-XBAR	Cross Bar & Cotter Pin set for MI-ROC-11	\$315.00
MI-ROC-12-XBAR	Cross Bar & Cotter Pin set for MI-ROC-12	\$368.00
MI-ROC-LO-1-XBAR	Cross Bar & Cotter Pins for MI-ROC-LO-1	\$105.00
MI-ROC-LO-2-XBAR	Cross Bar & Cotter Pin set for MI-ROC-LO-2	\$116.00
MI-ROC-LO-3-XBAR	Cross Bar & Cotter Pin set for MI-ROC-LO-3	\$126.00
MI-ROC-LO-4-XBAR	Cross Bar & Cotter Pin set for MI-ROC-LO-4	\$137.00
MI-ROC-LO-5-XBAR	Cross Bar & Cotter Pin set for MI-ROC-LO-5	\$147.00
MI-ROC-LO-6-XBAR	Cross Bar & Cotter Pin set for MI-ROC-LO-6	\$158.00

SEDIMENT BUCKETS FOR MI-ROC SERIES GREASE INTERCEPTORS

Part#	DESCRIPTION	LIST PRICE
MI-ROC-1-BUCKET-SB	Sediment Bucket w/Filter Screen for MI-ROC-1	\$236.00
MI-ROC-2-BUCKET-SB	Sediment Bucket w/Filter Screen for MI-ROC-2	\$263.00
MI-ROC-3-BUCKET-SB	Sediment Bucket w/Filter Screen for MI-ROC-3	\$315.00
MI-ROC-4-BUCKET-SB	Sediment Bucket w/Filter Screen for MI-ROC-4	\$368.00
MI-ROC-5-BUCKET-SB	Sediment Bucket w/Filter Screen for MI-ROC-5	\$446.00
MI-ROC-6-BUCKET-SB	Sediment Bucket w/Filter Screen for MI-ROC-6	\$604.00
MI-ROC-7-BUCKET-SB	Sediment Bucket w/Filter Screen for MI-ROC-7	\$735.00
MI-ROC-8-BUCKET-SB	Sediment Bucket w/Filter Screen for MI-ROC-8	\$840.00
MI-ROC-9-BUCKET-SB	Sediment Bucket w/Filter Screen for MI-ROC-9	\$1,050.00
MI-ROC-10-BUCKET-SB	Sediment Bucket w/Filter Screen for MI-ROC-10	\$1,155.00
MI-ROC-11-BUCKET-SB	Sediment Bucket w/Filter Screen for MI-ROC-11	\$1,260.00
MI-ROC-12-BUCKET-SB	Sediment Bucket w/Filter Screen for MI-ROC-12	\$1,365.00
MI-ROC-LO-1-BUCKET-SB	Sediment Bucket w/Filter Screen for MI-ROC-LO-1	\$236.00
MI-ROC-LO-2-BUCKET-SB	Sediment Bucket w/Filter Screen for MI-ROC-LO-2	\$263.00
MI-ROC-LO-3-BUCKET-SB	Sediment Bucket w/Filter Screen for MI-ROC-LO-3	\$315.00
MI-ROC-LO-4-BUCKET-SB	Sediment Bucket w/Filter Screen for MI-ROC-LO-4	\$368.00
MI-ROC-LO-5-BUCKET-SB	Sediment Bucket w/Filter Screen for MI-ROC-LO-5	\$446.00
MI-ROC-LO-6-BUCKET-SB	Sediment Bucket w/Filter Screen for MI-ROC-LO-6	\$604.00

FILTER SCREENS FOR MI-ROC SERIES GREASE INTERCEPTORS

Part#	DESCRIPTION	LIST PRICE
MI-ROC-1-FILTER	Filter Screen Piece for MI-ROC-1	\$158.00
MI-ROC-2-FILTER	Filter Screen Piece for MI-ROC-2	\$210.00
MI-ROC-3-FILTER	Filter Screen Piece for MI-ROC-3	\$263.00
MI-ROC-4-FILTER	Filter Screen Piece for MI-ROC-4	\$315.00
MI-ROC-5-FILTER	Filter Screen Piece for MI-ROC-5	\$368.00
MI-ROC-6-FILTER	Filter Screen Piece for MI-ROC-6	\$420.00
MI-ROC-7-FILTER	Filter Screen Piece for MI-ROC-7	\$473.00
MI-ROC-8-FILTER	Filter Screen Piece for MI-ROC-8	\$525.00
MI-ROC-9-FILTER	Filter Screen Piece for MI-ROC-9	\$578.00
MI-ROC-10-FILTER	Filter Screen Piece for MI-ROC-10	\$630.00
MI-ROC-11-FILTER	Filter Screen Piece for MI-ROC-11	\$683.00
MI-ROC-12-FILTER	Filter Screen Piece for MI-ROC-12	\$735.00
MI-ROC-LO-1-FILTER	Filter Screen Piece for MI-ROC-LO-1	\$158.00
MI-ROC-LO-2-FILTER	Filter Screen Piece for MI-ROC-LO-2	\$210.00
MI-ROC-LO-3-FILTER	Filter Screen Piece for MI-ROC-LO-3	\$263.00
MI-ROC-LO-4-FILTER	Filter Screen Piece for MI-ROC-LO-4	\$315.00
MI-ROC-LO-5-FILTER	Filter Screen Piece for MI-ROC-LO-5	\$368.00
MI-ROC-LO-6-FILTER	Filter Screen Piece for MI-ROC-LO-6	\$420.00

CALIFORNIA PROPOSITION 65 WARNING. This product contains chemicals known to the State of California to cause cancer and birth defects or other reproductive harm.

Design and dimensions are subject to modification. Prices do not include applicable taxes.

Visit www.mifab.com for the most recent product information.

MIFAB®, Inc., 1321 West 119th Street, Chicago, Illinois 60643-5109, USA

Toll Free: 1-800-465-2736, Fax: 1-773-341-3049

All sales subject to MIFAB's® Terms and Warranties. Please refer to page 3.

sales@mifab.com Canada Toll Free: 1-800-387-3880

ALLSTAR® COVER

"I think the All Star covers are a great idea. For customers that use a lot of MIFAB drains it offers great benefits and is worth the investment."

– Lorenzo Tripodi, Principal, Noraqua, Sudbury, Ontario, Canada

MIFAB's new, patent pending Allstar® cover is available in 5" and 6" round sizes to work with any of MIFAB's 5" and 6" round floor drain and cleanout tops.

It is manufactured from recycled plastic and is designed to fit into any of MIFAB's A1 and A4 PVC, ABS or cast iron bodies.

Contractors fit the Allstar cover into the top of the MIFAB drain body before the concrete pour, install the bodies onto the pipe and advise the concrete contractors to measure the level of the concrete floor from the top of the Allstar cover.

After the concrete pour around the top of the Allstar cover, the Allstar cover is removed with a tool placed into the recessed slot in the middle of the cover and pried off.

The 4" NPSM threads machined into the top of all of MIFAB's A1 and A4 bodies are then exposed to allow the contractor to thread in any MIFAB 5" (use the 5" Allstar cover) or 6" (use the 6" Allstar cover) round floor drain and cleanout top into the top of the bodies. The tops can be adjusted to the finished floor.

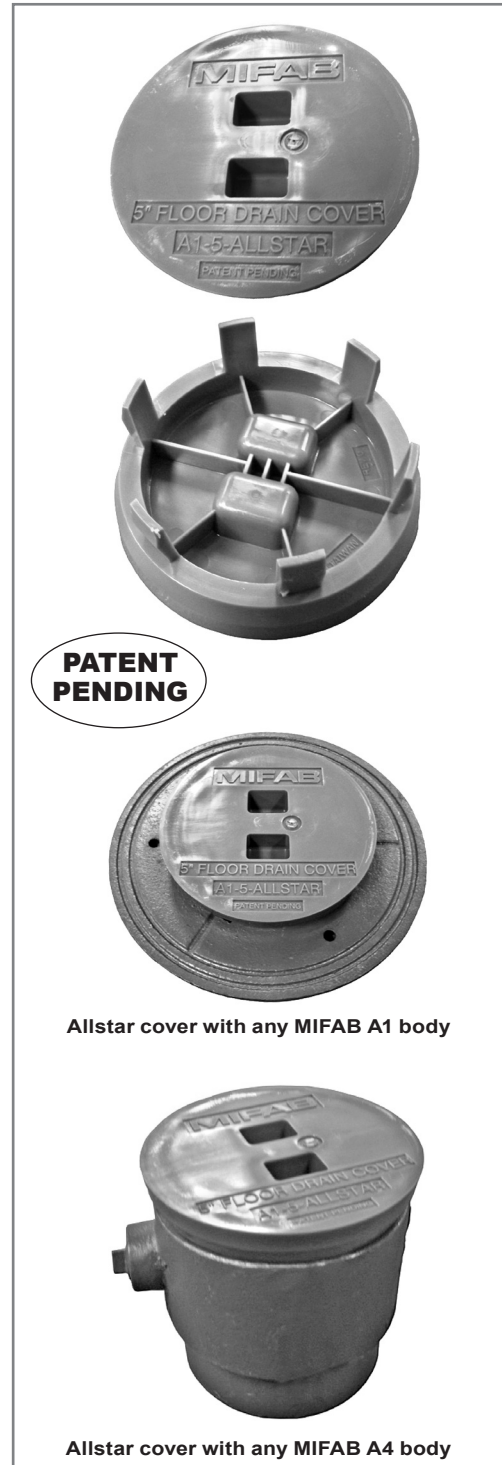
There is only a 1/8" space around the outside diameter of the floor drain or cleanout top to finish off with grout.

The Allstar cover is approximately 3/4" high and is made from smooth plastic material with angled sides to ensure removal after the pour.

There are several advantages to the Allstar cover:

- 1) The contractor can avoid taping the floor drain and cleanout tops prior to installation to ensure that they are protected during the construction process. This eliminates time to tape the floor drain / cleanout tops and also eliminates cleaning time to remove the tape from them before the project is handed over to the client.
- 2) The contractor can avoid installing the floor drain and cleanout tops until the end of the project – reducing the risk that they will be stolen or damaged.
- 3) The floor drain / cleanout tops can be adjusted to the finished floor after the concrete pour.
- 4) The Allstar cover can be purchased separately from the floor drain and cleanout bodies.
- 5) The Allstar cover can be used over and over again.

MODEL #	LIST PRICE
A1-5-ALLSTAR	\$27.00
A1-6-ALLSTAR	\$30.00

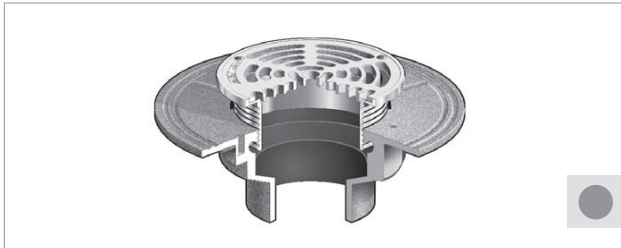


Allstar cover with any MIFAB A1 body

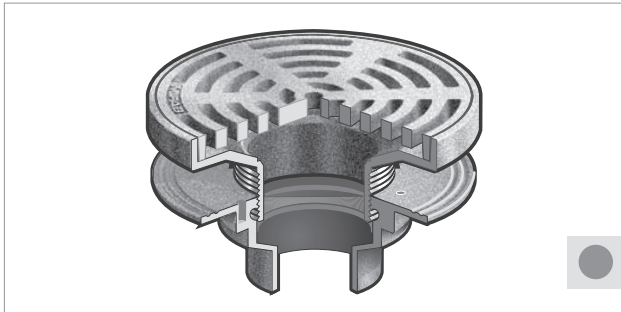
Allstar cover with any MIFAB A4 body

CALIFORNIA PROPOSITION 65 WARNING. This product contains chemicals known to the State of California to cause cancer and birth defects or other reproductive harm.

THE MIFAB MODULAR SYSTEM



● A Floor Drain



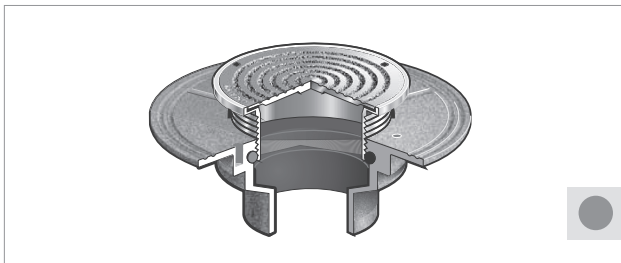
"Using the MIFAB AllStar covers makes our drain installs clean, fast and easy. It saves time, and for the plumber, that means cost. Well worth the investment."

– Samuel Beliveau, V/P Plomberie, Groupe CEVEC, Drummondville Québec

● Is an Area Drain



● Is a Roof Drain



● Is a Cleanout

DYNAC
(DO YOU NEED A CLAMP?)

In 90% of today's "slab on grade" installations, there is no need for a membrane clamp, as there is no waterproofing membrane installed. Because MIFAB's unique design allows the strainer assembly to install directly into the throat of the drain body, the use of a membrane clamping collar is optional.

This is an opportunity for cost savings.
Why use a drain with a membrane clamp if it is not necessary?

The MIFAB Modular System

CALIFORNIA PROPOSITION 65 WARNING. This product contains chemicals known to the State of California to cause cancer and birth defects or other reproductive harm.

Design and dimensions are subject to modification. Prices do not include applicable taxes.

Visit www.mifab.com for the most recent product information.

MIFAB®, Inc., 1321 West 119th Street, Chicago, Illinois 60643-5109, USA

Toll Free: 1-800-465-2736, Fax: 1-773-341-3049

All sales subject to MIFAB's® Terms and Warranties. Please refer to page 3.

sales@mifab.com Canada Toll Free: 1-800-387-3880

CROSS REFERENCE

FRANK PATTERN TO MIFAB®

FLOOR DRAINS

Frank P	MIFAB
72.....(pg.9).....	F102P
C-72.....(pg.9).....	F102X
N-72.....(pg.9).....	F102
T-72.....(pg.9).....	F102T
N-73.....(pg.9).....	F103
T-73.....(pg.9).....	F103T
N-74.....(pg.9).....	F104
w/4375R.....(pg.13).....	5-1-CL
w/5375R.....(pg.13).....	5-1-CL
w/5375S.....(pg.13).....	S5-1-CL
w/6375R.....(pg.13).....	6-1-CL
w/6375S.....(pg.13).....	S6-1-CL
w/7375R.....(pg.13).....	7-1-CL
w/8375R.....(pg.13).....	8-1-CL
N-702.....(pg.10).....	F102-C
T-702.....(pg.10).....	F102T-C
N-703.....(pg.10).....	F103-C
T-703.....(pg.10).....	F103T-C
N-704.....(pg.10).....	F104-C
w/4375R.....(pg.13).....	5-1-CL
w/5375R.....(pg.13).....	5-1-CL
w/5375S.....(pg.13).....	S5-1-CL
w/6375R.....(pg.13).....	6-1-CL
w/6375S.....(pg.13).....	S6-1-CL
w/7375R.....(pg.13).....	7-1-CL
w/8375R.....(pg.13).....	8-1-CL
N-902.....(pg.10).....	F102-C
T-902.....(pg.10).....	F102T-C
N-903.....(pg.10).....	F103-C
T-903.....(pg.10).....	F103T-C
N-904.....(pg.10).....	F104-C
T-904.....(pg.10).....	F104T-C
w/4375R.....(pg.13).....	5-1-CL
w/5375R.....(pg.13).....	5-1-CL
w/5375S.....(pg.13).....	S5-1-CL
w/6375R.....(pg.13).....	6-1-CL
w/6375S.....(pg.13).....	S6-1-CL
w/7375R.....(pg.13).....	7-1-CL
w/8375R.....(pg.13).....	8-1-CL
4375R.....(pg.13).....	5-1-CL
5375R.....(pg.13).....	5-1-CL
5375S.....(pg.13).....	S5-1-CL
6375R.....(pg.13).....	6-1-CL
6375S.....(pg.13).....	S6-1-CL
7020.....(pg.9).....	F102P
7030.....(pg.9).....	F103P
7375R.....(pg.13).....	7-1-CL
8375R.....(pg.13).....	8-1-CL
9020.....(pg.10).....	F102P-C
9030.....(pg.10).....	F102P-C

9040.....(pg.10).....	F102P-C
w/4375R.....(pg.13).....	5-1-CL
w/5375R.....(pg.13).....	5-1-CL
w/5375S.....(pg.13).....	S5-1-CL
w/6375R.....(pg.13).....	6-1-CL
w/6375S.....(pg.13).....	S6-1-CL
w/7375R.....(pg.13).....	7-1-CL
w/8375R.....(pg.13).....	8-1-CL

FLOOR DRAIN OPTIONS

Frank P	MIFAB
100-EX.....(pg.16).....	DD-50-CL
F-4R.....(pg.16).....	F4-50-CL
F-6R.....(pg.16).....	F6-50-CL
F-90.....(pg.16).....	G-50-CL

CESSPOOL DRAINS

Frank P	MIFAB
20C.....(pg.11).....	F302P
30C.....(pg.11).....	F303P
40C.....(pg.11).....	F324P

DECK DRAINS

Frank P	MIFAB
6520N.....(pg.16).....	F652
6520T.....(pg.16).....	F652T
6530N.....(pg.16).....	F653
6530T.....(pg.16).....	F653T
6540N.....(pg.16).....	F654

CLEANOUTS & ACCESS COVERS

Frank P	MIFAB
6S-1.....(pg.16).....	SW6-4
6S-B.....(pg.16).....	SW6-1
6SP-1.....(pg.16).....	SW6P-4
6SP-B.....(pg.16).....	SW6P-1
N402.....(pg.13).....	A1-2NH-7-CL
N402-4430.....(pg.12).....	C222-R
N403.....(pg.13).....	A1-3NH-7-CL
N403-4430.....(pg.12).....	C223-R
N404.....(pg.13).....	A1-4NH-7-CL
N404-4440.....(pg.12).....	C224-R
2340.....(pg.17).....	C236-TS-4
4020.....(pg.13).....	A1-2P-7-CL
4020 w/4430.....(pg.12).....	C222P-R
4030.....(pg.13).....	A1-3P-7-CL
4030 w/4430.....(pg.12).....	C223P-R
4040.....(pg.13).....	A1-4P-7-CL
4040 w/4440.....(pg.12).....	C224P-R
4430.....(pg.17).....	C234-TS-1
4440.....(pg.17).....	C236-TS-1
4630.....(pg.17).....	C300-R6-1
4640.....(pg.17).....	C300-R6-1
4730.....(pg.17).....	C300-R6-NL-1
4740.....(pg.17).....	C300-R6-NL-1

CLOSET FLANGES

Frank P	MIFAB
30.....(pg.17).....	CF32
40.....(pg.17).....	CF42
OS40.....(pg.17).....	CFOS42
40TC.....(pg.17).....	CF42TC
44.....(pg.17).....	CF44D
46.....(pg.17).....	CF46D

ROOF DRAINS

Frank P	MIFAB
OF-2.....(pg.17).....	R102-OF
OF-3.....(pg.17).....	R103-OF
OF-4.....(pg.17).....	R104-OF
850-2N.....(pg.17).....	R152
850-3N.....(pg.17).....	R153
850-4N.....(pg.17).....	R154
852.....(pg.17).....	R102P
852N.....(pg.17).....	R102
852SN.....(pg.17).....	R102N-90
852ST.....(pg.17).....	R102-90
852T.....(pg.17).....	R102T
853.....(pg.17).....	R103P
853N.....(pg.17).....	R103
853SN.....(pg.17).....	R103N-90
853ST.....(pg.17).....	R103-90
853T.....(pg.17).....	R103T
854.....(pg.17).....	R104P
854N.....(pg.17).....	R104
854SN.....(pg.17).....	R104N-90
854T.....(pg.17).....	R104T
856N.....(pg.17).....	R106
1202N.....(see MPB book).....	R202
1203N.....(see MPB book).....	R203
1204N.....(see MPB book).....	R204

SHOWER DRAINS

Frank P	MIFAB
20SD.....(pg.16).....	50-SD-TC
21SD.....(pg.16).....	50-SD-TC
220NC.....(pg.16).....	50-SD-TC
T-6.....(pg.16).....	50-SD-T

IPS TO MIFAB®

IPS	MIFAB
82770.....(see MPB book).....	C1430
82785.....(see MPB book).....	C1430
82787.....(see MPB book).....	C1430
82790.....(see MPB book).....	C1430
85815.....(pg.15).....	FD230
85820.....(pg.15).....	FD230
85825.....(pg.15).....	FD230
85830.....(pg.15).....	FD230
85840.....(pg.15).....	FD230
85855.....(pg.15).....	FD230

85860.....(pg.15).....	FD230
85865.....(see MPB book).....	C1230
85870.....(see MPB book).....	C1230
85875.....(see MPB book).....	C1230
85880.....(see MPB book).....	C1230
85895.....(pg.8).....	F220
85900.....(pg.8).....	F220
85905.....(pg.12).....	C220-R
85910.....(pg.12).....	C220-R
85915.....(see MPB book).....	C1230
85925.....(see MPB book).....	C1230
85975.....(pg.14).....	FD212TC-49
85976.....(pg.14).....	FD212TC-49
85980.....(pg.14).....	FD212TC-49
85981.....(pg.14).....	FD212TC-49
85984.....(pg.14).....	FD212TC-49
85985.....(pg.14).....	FD212TC-49
85990.....(pg.14).....	FD212TC-49
85995.....(pg.14).....	FD212TC-49
86075.....(pg.14).....	SD7000
86077.....(pg.14).....	SD7000
86078.....(pg.14).....	SD7000
86079.....(pg.14).....	SD7000
86080.....(pg.14).....	SD7000
86081.....(pg.14).....	SD7000
86095.....(pg.17).....	R100-30
86100.....(pg.17).....	R100-31
86105.....(pg.17).....	R100-30
86110.....(pg.17).....	R100-31
86125.....(pg.17).....	R100-30 / 31
89403.....(pg.10).....	F100-C
89405.....(pg.10).....	F100-C
89406.....(pg.10).....	F100-C
89419.....(pg.10).....	F100-C
89420.....(pg.10).....	F100-C
89421.....(pg.10).....	F100-C
89422.....(pg.10).....	F100-C
89427.....(pg.10).....	F100-C
89428.....(pg.10).....	F100-C
89549.....(pg.10).....	F100-C
89551.....(pg.10).....	F100-C
89552.....(pg.10).....	F100-C
89564.....(pg.10).....	F100-C
89565.....(pg.10).....	F100-C
89566.....(pg.10).....	F100-C
89567.....(pg.10).....	F100-C
89568.....(pg.10).....	F100-C
89569.....(pg.10).....	F100-C

JONES STEPHENS TO MIFAB®

CLEANOUTS

J Stephens	MIFAB
A4 Series.....(pg.12).....	C220-R

CALIFORNIA PROPOSITION 65 WARNING. This product contains chemicals known to the State of California to cause cancer and birth defects or other reproductive harm.

C33 Series ... (pg.17) ... C234-TS-1 / C236-TS-1
 C36 Series..... (see MPB book) C1230
 C59 Series..... (pg.12) C220-R
 C60 Series..... (see MPB book) C1230
 C61 Series..... (pg.12) C220-R
 P49 Series..... (see MPB book) C1430

CLOSET FLANGES

J Stephens **MIFAB**
 C40320 (pg.17) CF32
 C40420 (pg.17) CF42
 C40425 (pg.17) CF42TC
 C40440 (pg.17) CF44DTC
 C40500 (pg.17) CF42TC
 C40640 (pg.17) CFOS42TC

FLOOR DRAINS

J Stephens **MIFAB**
 D41 Series..... (pg.14) SD7000
 D50 Series..... (pg.14) FD212TC-49
 D51 Series..... (pg.10) F100-C
 D52 Series..... (pg.8) F220
 D53 Series..... (pg.8) F220
 D54 Series..... (pg.15) FD230
 D56 Series..... (pg.8) F220
 D59 Series..... (pg.10) F100-C
 D60 Series..... (pg.10) F100-C
 D64 Series..... (pg.16) 50-SD-TC
 D65 Series..... (pg.10) F100-C
 D66 Series..... (pg.10) F100-C
 D67 Series..... (pg.9) F100
 D80 Series..... (pg.10) F100-C
 J60 Series..... (see MPB book) F1120

FLOOR SINKS (Porcelain, Cast Iron)

J Stephens **MIFAB**
 S55112 (pg.21) FS722-PB
 S55113 (pg.21) FS722-PB
 S55114 (pg.21) FS724-PB
 S55075 (pg.21) FS700-PG-175
 S55050 (pg.21) FS700-PG-150
 S55010 (pg.21) FS700-PG

FLOOR SINKS (PVC)

Jones Stephens..... **MIFAB**
 S59004 (pg.20) FS724-PB-30
 S59003 (pg.20) FS723-PB-30
 S59002 (pg.20) FS722-PB-30
 S59012 (pg.20) FS700-PG-150-30
 S59011 (pg.20) FS700-PG-175-30
 S59010 (pg.20) FS700-PG-30
 S59094 (pg.20) FS724-30

CAST IRON SEWER COVERS

J Stephens..... **MIFAB**
 S36008..... (pg.18) MI-SCOV-8
 S36010..... (pg.18) MI-SCOV-10

ROOF DRAINS

Jones Stephens **MIFAB**
 R18 Series..... (pg.17) R100-30 / 31
 R19 Series..... (pg.17) R100

OATEY TO MIFAB®

Oatey..... **MIFAB**
 42201..... (pg.16) 50-SD-TC
 42206..... (pg.16) 50-SD-TC
 42210..... (pg.14) FD212TC-49
 42213..... (pg.14) FD212TC-49
 42218..... (pg.14) FD212TC-49
 42219..... (pg.14) FD212TC-49
 42253..... (pg.17) CF42
 42255..... (pg.17) CF42
 42256..... (pg.17) CF42TC
 42369..... (see MPB book) C1430
 42370..... (see MPB book) C1430
 42371..... (see MPB book) C1430
 42372..... (see MPB book) C1430
 42373..... (see MPB book) C1430
 42374..... (see MPB book) C1430
 42399..... (pg.14) FD212TC-49
 42404..... (pg.14) FD212TC-49
 43578..... (pg.15) FD230
 43579..... (pg.15) FD230
 43580..... (pg.15) FD230
 43581..... (pg.15) FD230
 43582..... (pg.15) FD230
 43583..... (pg.15) FD230
 43598..... (pg.15) FD230
 43599..... (pg.15) FD230
 43600..... (pg.15) FD230
 43601..... (pg.15) FD230
 43711..... (see MPB book) C1230
 43731..... (see MPB book) C1230
 43733..... (see MPB book) C1230
 43736..... (pg.12) C220-R
 43737..... (pg.12) C220-R

PLASTIC ODDITIES TO MIFAB®

Plastic Oddities..... **MIFAB**
 AAB Series..... (pg.8) F220-31
 ABR Series..... (pg.10) F100-31-C
 ACA-4 (see MPB book) C1230
 ACO Series..... (pg.12) C220-R-31
 AFG Series..... (pg.14) SD7000
 AGA Series..... (pg.14) SD7000 / F220-31
 AGI Series..... (see MPB book) C1230
 AGP Series..... (pg.15) FD230
 AGR-391s..... (pg.15) FD230
 AHD-800 Series..... (pg.10) F100-31-C
 ALP Series..... (pg.14) SD7000
 ARD Series..... (pg.17) R100-31
 ARP Series..... (see MPB book) C1430
 ASB Series..... (see MPB book) F340

ASC Series..... (see MPB book) C1230
 ASD Series..... (see MPB book) F340
 AWC Series..... (pg.17) R100
 AWF Series..... (pg.17) R100
 BRH Series..... (see MPB book) C1430
 BRP Series..... (see MPB book) C1430
 PAB Series..... (pg.8) F220
 PBR Series..... (pg.10) F100-C /
 (pg.14) FD212TC-49
 PCA Series..... (see MPB book) C1230
 PCO Series..... (pg.12) C220-R
 PFG Series..... (pg.14) SD7000
 PGA Series..... (pg.14) SD7000
 PGI Series..... (see MPB book) C1230
 PGP Series..... (pg.15) FD230
 PHD Series..... (pg.10) F100-C-30
 PLP Series..... (pg.10) F100-C
 PRD Series..... (pg.17) R100-30 / 31
 PRP Series..... (see MPB book) C1430
 PSB Series..... (see MPB book) F340
 PSC Series..... (see MPB book) C1230
 PSD Series..... (see MPB book) F340
 PSI Series..... (pg.8) F220
 PWC Series..... (pg.17) R100-30 / 31
 PWF Series..... (pg.17) R100-30 / 31
 UDC Series..... (pg.17) R100-30 / 31

SHIUX CHIEF TO MIFAB®

FLOOR DRAINS, ROOF DRAINS & CLEANOUTS

Shiux Chief..... **MIFAB**
 820 Series..... (pg.10) F100-C
 821 Series..... (pg.14) SD7000
 822 (Halo)..... (pg.6) F220-TS-WF
 822 Series..... (pg.7) C220-TOS-WF
 824 Series..... (pg.14) SD7000
 825 Series..... (pg.14) SD7000
 832 Series..... (pg.4) F220-TS
 833 Series..... (pg.10,11) F100-C, F300
 834 Series..... (pg.7) C220-TOS
 840 Series..... (pg.15) FD230
 842 Series..... (pg.4) F220-TS-30/31
 843 Series..... (pg.8) F220
 844 Series..... (pg.8) F220
 847 Series..... (pg.16) FD-960
 850 Series..... (pg.17) C230-TS
 851 Series..... (pg.17) C230-TS
 852 Series..... (pg.12) C220-R
 858 Series..... (pg.12) C220-R
 860 Series..... (pg.11) F320
 863 Series..... (pg.10) F100-C
 864 Series..... (pg.11) F300
 867 Series..... (pg.17) R100-30 / 31
 868 Series..... (see MPB book) R1200
 870 Series..... (see MPB book) C1400-RD
 873 Series..... (see MPB book) C1430-RD
 876 Series..... (see MPB book) C1430

877 Series..... (see MPB book) C1430
 878 Series..... (see MPB book) C1430
 890 Series..... (pg.17) CF42TC

FLOOR SINKS (PVC)

Shiux Chief..... **MIFAB**
 861 Series..... (pg.20) FS720-30

FLOOR SINKS (CAST IRON)

Shiux Chief..... **MIFAB**
 860 Series..... (see MPB book) FS1750
 861-23 Series..... (pg.21) FS720
 861-28 Series..... (pg.21) FS520
 861-P..... (pg.20) F720-30

ROOF DRAINS

Shiux Chief..... **MIFAB**
 867-L Series..... (see MPB book) F1810
 867-P Series..... (pg.17) R100-30
 868 Series..... (see MPB book) R1200
 868-D Series..... (see MPB book) R1270
 868-201 Series..... (see MPB book) R1260
 868-I Series..... (pg.17) R100-M
 868-P Series..... (pg.17) R100-30

JRS TO MIFAB®

BACKWATER VALVES

JRS..... **MIFAB**
 701-02..... (see MPB book) BV1252
 701-03..... (see MPB book) BV1253
 701-04..... (see MPB book) BV1254
 705 Series..... Contact MIFAB
 706 Series..... Contact MIFAB

CLEANOUTS

JRS..... **MIFAB**
 405-04..... (pg.17) C234-TS-1
 405-05..... (pg.17) C236-TS-1
 405-06..... (pg.17) C236-TS-1
 406-06..... (pg.13) S-1-TS-1
 406-05..... (see MPB book) 6S-1-TS-1
 410-L02..... (pg.13) A4-2P-7-CL
 410-L03..... (pg.13) A4-3P-7-CL
 410-L04..... (pg.13) A4-4P-7-CL
 410-LXH02..... (pg.13) A4-2P-7-CL
 410-LXH03..... (pg.13) A4-3P-7-CL
 410-LXH04..... (pg.13) A4-4P-7-CL
 410-Y02..... (pg.13) A4-2NH-7-CL
 410-Y03..... (pg.13) A4-3NH-7-CL
 410-Y04..... (pg.13) A4-4NH-7-CL
 410-10..... (pg.13) XR-4-CL
 410-11..... (pg.13) XR-4-CL
 410-13..... (pg.13) S-1-CL
 410-14..... (see MPB book) UR-1-CL
 420-L02..... (pg.12) C222P-XR-4
 420-L03..... (pg.12) C223P-XR-4

CALIFORNIA PROPOSITION 65 WARNING. This product contains chemicals known to the State of California to cause cancer and birth defects or other reproductive harm.

Design and dimensions are subject to modification. Prices do not include applicable taxes.

Visit www.mifab.com for the most recent product information.

MIFAB®, Inc., 1321 West 119th Street, Chicago, Illinois 60643-5109, USA

Toll Free: 1-800-465-2736, Fax: 1-773-341-3049

All sales subject to MIFAB's® Terms and Warranties. Please refer to page 3.

sales@mifab.com Canada Toll Free: 1-800-387-3880

420-L04 (see MPB book) C1234P-4
 420-LXH02 (pg.12) C222P-XR-4
 420-LXH03 (pg.12) C223P-XR-4
 420-LXH04 (see MPB book) C1234P-4
 420-LXH06 (see MPB book) C1226P-4

FLOOR & AREA DRAINS

JRS..... MIFAB
 201-T03 (pg.13) 5-1-CL
 210-L02 (pg.13) A4-2P-7-CL
 210-L03 (pg.13) A4-3P-7-CL
 210-L04 (pg.13) A4-4P-7-CL
 210-LXH02 (pg.13) A4-2P-7-CL
 210-LXH03 (pg.13) A4-3P-7-CL
 210-LXH04 (pg.13) A4-4P-7-CL
 210-Y02 (pg.13) A4-2NH-7-CL
 210-Y03 (pg.13) A4-3NH-7-CL
 210-Y04 (pg.13) A4-4NH-7-CL
 210-10 (pg.13) X5-4-CL
 210-11 (pg.13) X5-4-CL
 210-12 (pg.13) 5-1-CL
 210-13 (pg.13) S5-1-CL
 210-14 (pg.13) 6-1-CL
 210-15 (pg.13) S6-1-CL
 220-C02 (pg.13) A1-2X-7-CL
 220-T02 (pg.13) A1-2T-7-CL
 220-10 (see MPB book) 5-49-CL
 220-11 (pg.13) 5-1-CL
 221-T02 (see MPB book) F1122T-7

FLOOR SINKS

JRS..... MIFAB
 301-H03 (pg.20) FS523-PB-30
 301-H04 (pg.20) FS524-PB-30
 301-10 (pg.20) FS520-PG-30
 301-12 (pg.20) FS520-PG-150-30
 301-13 (pg.20) FS520-PG-175-30
 301-14 (pg.20) FS1500-PD
 302-H02 (pg.20) FS722-PB-30
 302-H03 (pg.20) FS723-PB-30
 302-H04 (pg.20) FS724-PB-30
 302-10 (pg.20) FS700-PG-30
 302-12 (pg.20) FS700-PG-150-30
 302-13 (pg.20) FS700-PG-175-30
 320-Y02 (pg.21) FS722-PB
 320-Y03 (pg.21) FS723-PB
 320-Y04 (pg.21) FS724-PB
 320-10 (pg.21) FS700-PG
 320-11 (pg.21) FS700-PG-150-SPL
 320-12 (pg.21) FS700-PG-150
 320-13 (pg.21) FS700-PG-175
 325-Y02 (pg.21) FS722-FL-PB
 325-Y03 (pg.21) FS723-FL-PB
 325-Y04 (pg.21) FS724-FL-PB
 330-Y02 (pg.21) FS732-PB
 330-Y03 (pg.21) FS733-PB
 330-Y04 (pg.21) FS734-PB
 335-Y02 (pg.21) FS732-FL-PB
 335-Y03 (pg.21) FS733-FL-PB
 335-Y04 (pg.21) FS734-FL-PB

340-Y02 (pg.21) FS742-PB
 340-Y03 (pg.21) FS743-PB
 340-Y04 (pg.21) FS744-PB
 345-Y02 (pg.21) FS742-FL-PB
 345-Y03 (pg.21) FS743-FL-PB
 345-Y04 (pg.21) FS744-FL-PB

HYDRANTS

JRS..... MIFAB
 560-10 (pg.29) HY-9040-NPB
 560-11 (pg.29) HY-9041-NPB
 560-12 (pg.29) HY-9040-NPB
 560-13 (pg.29) HY-9241-NPB

ROOF DRAINS

JRS..... MIFAB
 101 Series (pg.17) R100-30
 110 Series (pg.17) R100
 111 Series (see MPB book) R100-R
 148 Series (pg.17) R150

WATTS TO MIFAB®

BACKWATER VALVES

WATTS..... MIFAB
 BV2 (see MPB book) BV1252
 BV3 (see MPB book) BV1253
 BV4 (see MPB book) BV1254

CLEANOUTS

WATTS..... MIFAB
 CO5-2PVC (see MPB book) C1232-30-4
 CO5-2PVC-NB (see MPB book) C1232-30-1
 CO5-2ABS (see MPB book) C1232-31-4
 CO5-2ABS-NB (see MPB book) C1232-31-1
 CO5-2NH (see MPB book) C1232-4
 CO5-2NH-NB (see MPB book) C1232-1
 CO5-3PVC (see MPB book) C1233-30-4
 CO5-3PVC-NB (see MPB book) C1233-30-1
 CO5-3ABS (see MPB book) C1233-31-4
 CO5-3ABS-NB (see MPB book) C1233-31-1
 CO5-3NH (see MPB book) C1233-4
 CO5-3NH-NB (see MPB book) C1233-1
 CO5-4PVC (see MPB book) C1234-30-4
 CO5-4PVC-NB (see MPB book) C1234-30-1
 CO5-4ABS (see MPB book) C1234-31-4
 CO5-4ABS-NB (see MPB book) C1234-31-1
 CO5-4NH (see MPB book) C1234-4
 CO5-4NH-NB (see MPB book) C1234-1
 CO6-2NH (see MPB book) C1232-4
 CO6-3NH (see MPB book) C1233-4
 CO6-4NH (see MPB book) C1234-4
 CO12 Series (pg.12) C220
 CO20 Series (pg.12) C220
 CO26 Series Contact MIFAB
 CO38-2NH (see MPB book) C1232-1
 CO38-3NH (see MPB book) C1233-1
 CO38-4NH (see MPB book) C1234-1
 CO38-6NH (see MPB book) C1236-1
 CO-413 (pg.17) C234-TS-4

CO-413-1 (pg.17) C234-TS-1
 CO-414 (pg.17) C236-TS-4
 CO-414-1 (pg.17) C236-TS-1
 CO-416 Series Contact MIFAB
 CO44-1.5 (see MPB book) C1441.5-RD4
 CO44-2 (see MPB book) C1442-RD4
 CO44-3 (see MPB book) C1443-RD5
 CO44-4 (see MPB book) C1444-RD6
 CO44-6 (see MPB book) C1446-RD10
 CO48-5 (see MPB book) C1400-RD5
 CO48-6 (see MPB book) C1400-RD6
 CO48-7 (see MPB book) C1400-RD8
 CO48-8 (see MPB book) C1400-RD8
 CO48-10 (see MPB book) C1400-RD10
 CO58 Series (see MPB book) C1430
 CO59-1.5 (see MPB book) C1430-1.5-RD4
 CO59-2 (see MPB book) C1432-RD4
 CO59-3 (see MPB book) C1433-RD4
 CO59-4 (see MPB book) C1434-RD6
 CO59-6 (see MPB book) C1436-RD8

CLOSET FLANGES

WATTS..... MIFAB
 CF-32 (pg.17) CF32TC
 CF-42 (pg.17) CF42TC
 CF-44 (pg.17) CF44DTC

FLOOR DRAINS

WATTS..... MIFAB
 FD4-2 (pg.16) FD-962
 FD4-3 (pg.16) FD-963
 FD4-4 (pg.16) FD-964
 FD5 Series (pg.15) FD230
 FD6-2NH (pg.15) FD242-2
 FD6-3NH (pg.15) FD243-3
 FD6-4NH (pg.15) FD244-4
 FD7 Series (pg.10) F100-C Series
 FD9 Series (pg.15) FD230-WF
 FD11 Series (see MPB book) F1100
 FD12 Series (pg.8) F220
 FD15 Series (pg.10) F100-C
 FD20 Series (pg.8) F220
 FD30 Series (pg.11) F300
 FD31 Series (pg.11) F300
 FD32 Series (pg.11) F320
 FD34 Series (see MPB book) F1340
 FD46 Series (see MPB book) F1440
 SD-2ABS (pg.14) SD7002
 SD-2NH (pg.14) SD7000
 SD-2THD (pg.14) SD7002-T
 SD-3NH (pg.14) SD7000
 SDCP-2THD (pg.14) FD212TC-49

FLOOR SINKS

WATTS..... MIFAB
 FD55 Series (pg.21) FS720
 FD56-2PVC (pg.20) FS722-30
 FD56-3PVC (pg.20) FS723-30
 FD56-4PVC (pg.20) FS724-30

WALL HYDRANTS

WATTS..... MIFAB
 HY1 Series (pg.26) HY-1000
 HY2 Series (pg.26) HY-2000
 HY4 (pg.26) HY-3000
 HY5 (pg.26) HY-3500
 HY5-3 (pg.26) HY-3500-3
 HY8 Series (pg.27) HY4500

ROOF DRAINS

WATTS..... MIFAB
 RD1 Series (pg.17) R100
 RD10 Series (see MPB book) R1200
 RD25-2NH (pg.17) R152
 RD25-3NH (pg.17) R153
 RD25-4NH (pg.17) R154
 RD28-2NH (pg.17) R102
 RD28-2NH-SO (pg.17) R102-90
 RD28-3NH (pg.17) R103
 RD28-3NH-SO (pg.17) R103-90
 RD28-4NH (pg.17) R104
 RD28-4NH-SO (pg.17) R104-90

WOODFORD TO MIFAB®

HYDRANTS

Woodford..... MIFAB
 24P (pg.29) HY-9040-NPB
 B24 1/2 or 3/4 (pg.29) HY-9500
 B6C, 65P (pg.26) HY-1000
 B65C, B65P (pg.26) HY-2000
 67C, 67P (pg.26) HY-1000-52
 B67C, B67P (pg.26) HY-2000-52
 HC67 (pg.27) HY-4000
 HCB67 (pg.27) HY-4500
 70C, 70P (pg.26) HY-1000
 74C, 74P (pg.26) HY-3000
 B74C, B74P (pg.26) HY-3500
 75 (pg.27) HY-5000
 B75 (pg.27) HY-5500
 76C, 76P (pg.26) HY-3000
 B76C, B76P (pg.26) HY-3500
 79 (pg.27) HY-5000
 B79 (pg.27) HY-5500
 R34 (pg.28) HY-6800
 RHY1 (see MPB book) MHY-58
 RHY2 (see MPB book) MHY-58
 W34 (pg.28) HY-6800
 X34 (pg.28) HY-6800
 Y1 (pg.28) HY-6800
 Y2 (pg.28) HY-6800
 Y30 (pg.28) HY-6500
 Y34 (pg.28) HY-6800
 Y95 (pg.28) HY-6000

VACUUM BREAKERS

Woodford..... MIFAB
 34H (brass) (pg.29) HY-9005-B
 34H (chrome) (pg.29) HY-9005-CP
 37HA (pg.29) HY-9006-CP

CALIFORNIA PROPOSITION 65 WARNING. This product contains chemicals known to the State of California to cause cancer and birth defects or other reproductive harm.

ZURN LIGHT COMMERCIAL TO MIFAB®

CLEANOUTS

Zurn Light.....	MIFAB
CO2400 Series.....(see MPB book).....	C1230
CO2440,50 Series.....(pg.12).....	C220
CO2500 Series.....(pg.12).....	C220
CO2510-PO4.....(see MPB book).....	C1234P-4
CO2520 2".....(pg.17).....	C233-TS-4
CO2520 3".....(pg.17).....	C234-TS-4
CO2520 4".....(pg.17).....	C236-TS-4
CO2521 3".....(pg.17).....	C234-TS-1
CO2521 4".....(pg.17).....	C236-TS-1
CO2530-SS5.....(see MPB book).....	C1400-RD5
CO2530-SS7.....(see MPB book).....	C1400-RD7

CLOSET FLANGES

Zurn Light.....	MIFAB
CF2980-Cl3.....(pg.17).....	CF32
CF2980-Cl4.....(pg.17).....	CF42
CF2982-Cl3.....(pg.17).....	CF32TC
CF2982-Cl4.....(pg.17).....	CF42TC
CF2983-Cl4.....(pg.17).....	CFOS42
CF2984-Cl4.....(pg.17).....	CF44D

FLOOR DRAINS

Zurn Light.....	MIFAB
FD-B1NH2-BL5.....(pg.16).....	FD652
FD-B1NH3-BL5.....(pg.16).....	FD653
FD-B1NH4-BL5.....(pg.16).....	FD654
FD2200 Series.....(pg.15).....	FD230
FD2200 Series.....(pg.8).....	F220
FD2220 Series.....(pg.15).....	FD230
FD2240 Series.....(pg.15).....	FD230-WF
FD2240-NH3-NT.....(pg.15).....	FD233-50-WF-1
FD2240-NH4.....(pg.15).....	FD243-50-WF-4
FD2240-NH4-NT.....(pg.15).....	FD243-50-WF-1
FD2250-AB15.....(pg.14).....	SD7001
FD2250-AB2.....(pg.14).....	SD7002
FD2250-IP15.....(pg.14).....	SD7101
FD2250-IP2.....(pg.14).....	SD7102
FD2251-AB2.....(pg.16).....	50-SD-NH-31
FD2251-QF2.....(pg.16).....	50-SD-TC
FD2252-QF2.....(pg.16).....	50-SD-TC
FD2254-AB2.....(pg.14).....	SD7002
FD2250 Series.....(pg.10).....	F100-C
FD2280 Series.....(pg.10).....	F100-C
FD2290 Series.....(pg.10).....	F100-C
FD2300 Series.....(pg.10).....	F100-C
FD2310 Series.....(pg.10).....	F100-C
FD2320 Series.....(pg.9).....	F100
FD2321 Series.....(pg.10).....	F100-C
FD2322 Series.....(pg.9).....	F100
FD2330 Series.....(pg.11).....	F320-C
FD2340 Series.....(pg.11).....	F300-C
FD2350 Series.....(pg.11).....	F320-C
FD2360-ABS.....(pg.11).....	F324-31-C-4

FD2360-PVC.....(pg.11).....	F324-30-C-4
FD2390-SS2.....(pg.16).....	FD-962
FD2390-SS3.....(pg.16).....	FD-963
FD2390-SS4.....(pg.16).....	FD-964
JP2210-AB2.....(pg.13).....	A4-2-31-7-CL
JP2210-AB3.....(pg.13).....	A4-3-31-7-CL
JP2210-AB4.....(pg.13).....	A4-4-31-7-CL
JP2210-PV2.....(pg.13).....	A4-2-30-7-CL
JP2210-PV3.....(pg.13).....	A4-3-30-7-CL
JP2210-PV4.....(pg.13).....	A4-4-30-7-CL
JP2211-ABS-Body.....(pg.13).....	A4-31-7-CL body
JP2211-PVC-Body.....(pg.13).....	A4-30-7-CL body
JP2280-AB2-Assy.....(pg.13).....	A1-2-31-7-CL w/ A1-C2-CL
JP2280-AB3-Assy.....(pg.13).....	A1-3-31-7-CL w/ A1-C2-CL
JP2280-AB4-Assy.....(pg.13).....	A1-4-31-7-CL w/ A1-C2-CL
JP2280-PV2-Assy.....(pg.13).....	A1-2-30-7-CL w/ A1-C2-CL
JP2280-PV3-Assy.....(pg.13).....	A1-3-30-7-CL w/ A1-C2-CL
JP2280-PV4-Assy.....(pg.13).....	A1-4-30-7-CL w/ A1-C2-CL
JP2290-NH2-Assy.....(pg.13).....	A1-2NH-7-CL w/ A1-C2-CL
JP2290-NH3-Assy.....(pg.13).....	A1-3NH-7-CL w/ A1-C2-CL
JP2290-NH4-Assy.....(pg.13).....	A1-4NH-7-CL w/ A1-C2-CL
JP2290-PO2-Assy.....(pg.13).....	A1-2P-7-CL w/ A1-C2-CL
JP2290-PO3-Assy.....(pg.13).....	A1-3P-7-CL w/ A1-C2-CL
JP2290-PO4-Assy.....(pg.13).....	A1-4P-7-CL w/ A1-C2-CL
JP2320-NH2.....(pg.13).....	A4-2NH-7-CL
JP2320-NH3.....(pg.13).....	A4-3NH-7-CL
JP2320-NH4.....(pg.13).....	A4-4NH-7-CL
JP2320-PO2.....(pg.13).....	A4-2P-7-CL
JP2320-PO3.....(pg.13).....	A4-3P-7-CL
JP2320-PO4.....(pg.13).....	A4-4P-7-CL
JP2321-IP2-Assy.....(pg.13).....	A1-2T-7-CL w/ A1-C2-CL
JP2321-IP3-Assy.....(pg.13).....	A1-3T-7-CL w/ A1-C2-CL
JP2321-NH2-Assy.....(pg.13).....	A1-2NH-7-CL w/ A1-C2-CL
JP2321-NH3-Assy.....(pg.13).....	A1-3NH-7-CL w/ A1-C2-CL
JP2321-NH4-Assy.....(pg.13).....	A1-4NH-7-CL w/ A1-C2-CL
JP2321-PO2-Assy.....(pg.13).....	A1-2P-7-CL w/ A1-C2-CL
JP2321-PO3-Assy.....(pg.13).....	A1-3P-7-CL w/ A1-C2-CL
JP2322-IP2.....(pg.13).....	A1-2T-7-CL
JP2322-IP3.....(pg.13).....	A1-3T-7-CL
JP2322-NH2.....(pg.13).....	A1-2NH-7-CL
JP2322-NH3.....(pg.13).....	A1-3NH-7-CL
JP2322-NH4.....(pg.13).....	A1-4NH-7-CL
JP2322-PO2.....(pg.13).....	A1-2P-7-CL
JP2322-PO3.....(pg.13).....	A1-3P-7-CL
JP2280-R4 Nickel Head.....(pg.13).....	5-1-CL
JP2280-R5 Nickel Head.....(pg.13).....	5-1-CL
JP2280-R5-CP Nickel Head.....(pg.13).....	5-49-CL
JP2280-R5-PB Polished Brass.....(pg.13).....	5-2-CL
JP2280-R6 Nickel Head.....(pg.13).....	6-1-CL
JP2280-R7 Nickel Head.....(pg.13).....	7-1-CL
JP2280-R8 Nickel Head.....(pg.13).....	8-1-CL
JP2280-R10 Nickel Head.....(pg.13).....	10-1-CL
JP2280-S5-1.....(pg.13).....	S5-1-CL
JP2280-S5-CP.....(pg.13).....	S5-49-CL
JP2280-S5-PB.....(pg.13).....	S5-2-CL
JP2280-S6.....(pg.13).....	S6-1-CL
JP2280-S8.....(pg.13).....	S8-1-CL
FD-EXTDO Series.....(see MPB book).....	SPR-5-1

FLOOR SINKS

Zurn Light.....	MIFAB
FD2370-PV2.....(pg.20).....	FS722-30-PB
FD2370-PV3.....(pg.20).....	FS723-30-PB
FD2370-PV4.....(pg.20).....	FS724-30-PB
FD2375-NH2.....(pg.21).....	FS722-PB
FD2375-NH3.....(pg.21).....	FS723-PB
FD2375-NH4.....(pg.21).....	FS724-PB
FD2376-NH2.....(pg.21).....	FS732-PB
FD2376-NH3.....(pg.21).....	FS733-PB
FD2376-NH4.....(pg.21).....	FS734-PB
FD2377-NH2.....(pg.21).....	FS742-PB
FD2377-NH3.....(pg.21).....	FS743-PB
FD2377-NH4.....(pg.21).....	FS744-PB
FD2378-NH2.....(pg.21).....	FS522-PB
FD2378-NH3.....(pg.21).....	FS523-PB
FD2378-NH4.....(pg.21).....	FS524-PB

HYDRANTS

Zurn Light.....	MIFAB
Z1320-C.....(pg.26).....	HY-2000
Z1320-C-BFP.....(pg.26).....	HY-2000-52
Z1321-C.....(pg.26).....	HY-1000
Z1321-C-BFP.....(pg.26).....	HY-1000-52
Z1330-C.....(pg.26).....	HY-3500
Z1330-C-BFP.....(pg.26).....	HY-3500-52
Z1333-C.....(pg.26).....	HY-3000
Z1333-C-BFP.....(pg.26).....	HY-3000-52
Z1334-C.....(pg.26).....	HY-3000
Z1334-C-BFP.....(pg.26).....	HY-3000-52
Z1341.....(pg.29).....	HY-9240-NPB
Z1341-52.....(pg.29).....	HY-9000-52
Z1342.....(pg.29).....	HY-9500
Z1342-BFP.....(pg.29).....	HY-9500-52
Z1343.....(pg.29).....	HY-9240-NPB
Z1343-BFP.....(pg.29).....	HY-9240-NPB
Z1349.....(pg.27).....	HY-5000
Z1349-BFP.....(pg.27).....	HY-5000-52
Z1361.....(pg.28).....	HY-6000
Z1391.....(pg.28).....	HY-6500
Z1396.....(pg.28).....	HY-6800
Z1399-BFP.....(pg.29).....	HY-9006-CP
Z1399-VB.....(pg.29).....	HY-9005

PARTS

Zurn Light.....	MIFAB
B1-NH2.....(pg.13).....	A1-2NH-7-CL
B1-NH3.....(pg.13).....	A1-3NH-7-CL
B1-NH4.....(pg.13).....	A1-4NH-7-CL
B1-P02.....(pg.13).....	A1-2P-7-CL
B1-P03.....(pg.13).....	A1-3P-7-CL
B1-P04.....(pg.13).....	A1-4P-7-CL
B3-AB2.....(pg.13).....	A1-2-31-7-CL
B3-AB3.....(pg.13).....	A1-3-31-7-CL
B3-AB4.....(pg.13).....	A1-4-31-7-CL
B3-PV2.....(pg.13).....	A1-2-30-7-CL
B3-PV3.....(pg.13).....	A1-3-30-7-CL
B3-PV4.....(pg.13).....	A1-4-30-7-CL
B4-AB2.....(pg.13).....	A4-2-31-7-CL

B4-AB3.....(pg.13).....	A4-3-31-7-CL
B4-AB4.....(pg.13).....	A4-4-31-7-CL
B4-PV2.....(pg.13).....	A4-2-30-7-CL
B4-PV3.....(pg.13).....	A4-3-30-7-CL
B4-PV4.....(pg.13).....	A4-4-30-7-CL
C1.....(see MPB book).....	A1-C2-CL
C2.....(see MPB book).....	A1-C3-CL
C2-89.....(see MPB book).....	A1-WD-CL
C3.....(see MPB book).....	A2-C3-CL
C3-89.....(see MPB book).....	A2-WD-CL
CR5.....(pg.13).....	R-1-CL
CS5.....(pg.13).....	S-1-CL
D1.....(pg.17).....	A1-MD-CL
D2.....(pg.17).....	A1-MD-CL
D3.....(pg.17).....	A1-PD-CL
JP2080-C.....(see MPB book).....	A1-C3-CL
JP2080-E.....(see MPB book).....	A1-C3-CL
JP2080-R.....(see MPB book).....	A1-BP-CL
JP2080-VP.....(see MPB book).....	6
N7.....(see MPB book).....	F300-TA-4
N9.....(see MPB book).....	F320-TA-4
R4.....(pg.13).....	5-1-CL
R5.....(pg.13).....	5-1-CL
R6.....(pg.13).....	6-1-CL
R7.....(pg.13).....	8-1-CL
R8.....(pg.13).....	8-1-CL
R10.....(pg.13).....	10-1-CL
S5.....(pg.13).....	S5-1-CL
S6.....(pg.13).....	S6-1-CL
S8.....(pg.13).....	S8-1-CL
-U.....(pg.16).....	DD-50-CL
-Y.....(pg.16).....	A1-BP-CL
-4.....(pg.16).....	F4-50-CL
-6.....(pg.16).....	F6-50-CL
-9.....(pg.16).....	G-50-CL

ROOF DRAINS

Zurn Light.....	MIFAB
RD2080 Series.....(pg.17).....	R100
RD2090 Series.....(pg.17).....	R100
RD2120 Series.....(pg.17).....	R100
RD2130-NH2.....(pg.17).....	R152
RD2130-NH3.....(pg.17).....	R153
RD2130-NH4.....(pg.17).....	R154
RD2131-NH2.....(pg.17).....	R102-B
RD2131-NH3.....(pg.17).....	R103-B
RD2131-NH4.....(pg.17).....	R104-B
RD2150-SS3.....(pg.18).....	RFD-3
RD2150-SS4.....(pg.18).....	RFD-4
RD2150-SS5.....(pg.18).....	RFD-5
RD2150-SS6.....(pg.18).....	RFD-6
RD2190.....(see MPB book).....	R1810
RD2191.....(pg.19).....	R1800

CALIFORNIA PROPOSITION 65 WARNING. This product contains chemicals known to the State of California to cause cancer and birth defects or other reproductive harm.

Design and dimensions are subject to modification. Prices do not include applicable taxes.

Visit www.mifab.com for the most recent product information.

MIFAB®, Inc., 1321 West 119th Street, Chicago, Illinois 60643-5109, USA

Toll Free: 1-800-465-2736, Fax: 1-773-341-3049

All sales subject to MIFAB's® Terms and Warranties. Please refer to page 3.

sales@mifab.com Canada Toll Free: 1-800-387-3880

CASE STUDY

MIFAB HY-1000 Series Wall Hydrants installed in New York City



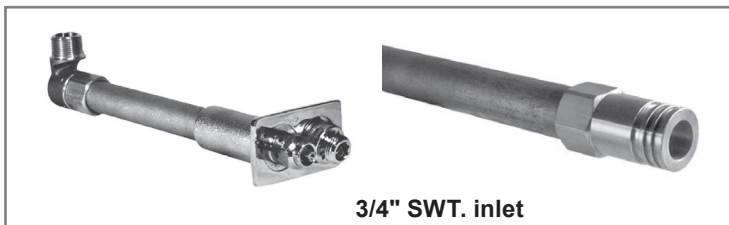
MIFAB product installed:
HY-1008-NPB, Non-Freeze Wall Hydrant

Contractor: Parkview Plumbing

Job location: New York City

MIFAB Sales Agent: DEA Sales

Location: 150 Charles Street, NYC



3/4" SWT. inlet

360° swivel inlet



"One of the most important feature we need is MIFAB's unique 360 degree swivel wall hydrant design. This allows our team for the easiest installation from limited space on the building."
 – Parkview Plumbing, Jay Lyons, Owner

CALIFORNIA PROPOSITION 65 WARNING. This product contains chemicals known to the State of California to cause cancer and birth defects or other reproductive harm.

PRODUCT FEATURE

MIFAB's 3 in 1 Floor Sink PVC grate assembly

MIFAB Product Purchased –

FS520 and FS720 Series PVC Floor Sinks

Wholesaler - Midsouth Plumbing and Electric Supply

Location – Jonesboro, AR

MIFAB Sales Agent – Blackjack Mountain Marketing

MIFAB Patent # - 9,458,616



“The new three in one grate for the PVC floor sinks have allowed us as a wholesale company to lower the amount of sku’s that we have to keep in stock. Before we had to keep a full grate, a ¾ grate and a ½ grate to be able to supply the customers with whatever configuration would be required for each job. Now one grate does it all. This benefits the plumbing contractor as well by always having the correct grate as required. They can now wait until the end of the job to make whatever configuration is needed. As we all know, jobs are constantly changing and this allows us to never have the wrong grate installed. This also brings a certain amount of safety to the job site. By keeping the floor sink covered with a full grate the possibility of someone stepping into the ½ open portion is taken out of the equation.

I hope this helps and serves as our testimonial to the strengths of the three in one grate design from a wholesaler’s point of view and some insight I’ve received from plumbers.”

– Ronald Wheelless, Midsouth Plumbing and Electric Supply, Jonesboro, AR

CALIFORNIA PROP 65 WARNING: This product contains chemicals known to the State of California to cause cancer and birth defects or other reproductive harm.

FLOOR DRAIN SELECTION GUIDE

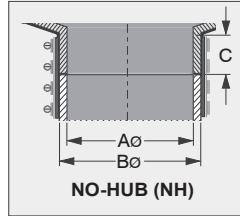
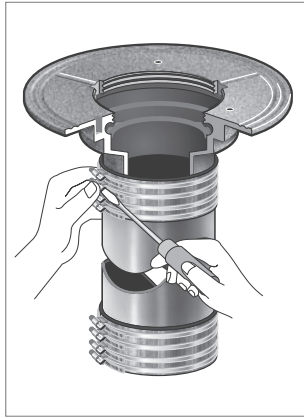
DRAIN OUTLET CONNECTIONS

Floor drains, are available in a variety of outlet connection types. The drain's outlet connection must be compatible with those of the drainage piping system to which it is connected. The most commonly employed connection types are as follows:

1. NO-HUB (NH) (A/K/A Mechanical Joint)

The most widely used connection. A No-Hub connection is achieved by butting No Hub soil pipe or plastic pipe to the bottom of the drain and securing it with a NO HUB coupling. (MI-HUB and MI-XHUB no hub couplings are available from MIFAB - see page 121).

Unless specified otherwise, all of MIFAB drains are shipped standard with No-Hub connections.

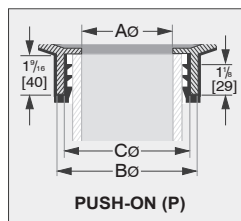


	A	B
2" No hub outlet	2"	2 3/8"
3" No hub outlet	3"	3 3/8"
4" No hub outlet	4"	4 3/8"
5" No hub outlet	5"	5 3/8"
6" No hub outlet	6"	6 3/8"
8" No hub outlet	8"	8 3/8"
10" No hub outlet	10"	10 1/2"
12" No hub outlet	12"	12 1/2"

2. PUSH-ON (P)

MIFAB "Push-on" is a unique labor saving compression gasketed connection designed to simply push on the stub end of the pipe. The Push-on drain body and gasket can be utilized with plastic, steel, No-Hub and service weight soil pipe. A unique pipe stop cast in each MIFAB Push-on drain body ensures that water will not accumulate around the connecting pipe. Specify suffix P for MIFAB's Push-on connections.

	A	B	C
2" Push on outlet	2"	3 3/8"	3"
3" Push on outlet	3"	4 3/8"	4"
4" Push on outlet	4"	5 1/2"	5 1/8"
6" Push on outlet	6"	7 3/4"	6 1/4"



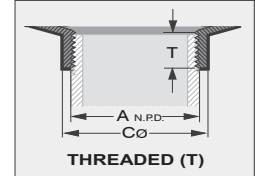
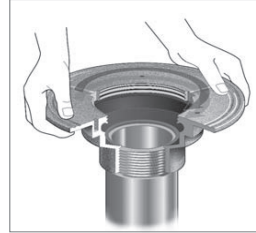
SPECIAL NOTE:

MIFAB "Push-on" gaskets are designed for use exclusively with MIFAB drainage products. They are not sold separately and all warranties either expressed or implied would be forfeited if used in other than a MIFAB drainage product. MIFAB's 2", 3" and 4" gaskets are designed to be used with both PVC and service weight (cast iron) pipe.

All sales subject to MIFAB's Terms and Warranties. Please refer to inside front cover.

3. THREADED (T)

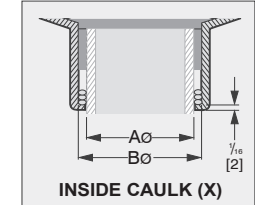
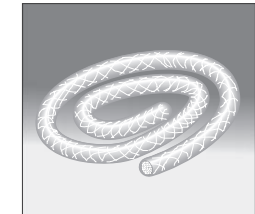
MIFAB Iron Pipe Threaded connection is an old industry standard. The female (NPT) threaded outlet is often specified on industrial and institutional applications. Specify suffix T for MIFAB's threaded connection.



	A	B	C
2" Threaded outlet	2"	3 1/4"	9/16"
3" Threaded outlet	3"	4 1/2"	3/4"
4" Threaded outlet	4"	5 5/8"	15/16"
5" Threaded outlet	5"	6 3/4"	15/16"
6" Threaded outlet	6"	7 3/4"	15/16"
8" Threaded outlet	8"	9 3/8"	1 1/8"

4. INSIDE CAULK (X)

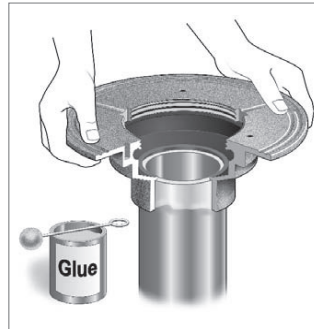
The Inside Caulk drain outlet connection is a bottomless hub into which the drainage pipe is inserted. The bottom of the outlet is sealed with oakum in the annular space between the pipe and the hub and the connection is then sealed with melted lead. Inside caulk connections are compatible with No-Hub, service weight and extra heavy soil pipe. They can also be used with ABS and PVC pipe. Specify suffix X for MIFAB's inside caulk connections.



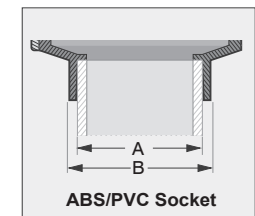
	A	B
2" Inside Caulk outlet	2 5/8"	3 1/16"
3" Inside Caulk outlet	3 3/4"	4 3/16"
4" Inside Caulk outlet	4 3/4"	5 3/16"
5" Inside Caulk outlet	5 3/4"	6 3/16"
6" Inside Caulk outlet	6 3/4"	7 3/16"
8" Inside Caulk outlet	8 7/8"	9 1/2"

5. PVC/ABS Socket (PVC=-30, ABS=-31)

Socket weld connections are proven installation time saver solutions. They provide a sanitary and resistant connection to the piping system for specialized applications.



	A	B
2" PVC / ABS socket	2.385"	2.710"
2" PVC / ABS socket	3.525"	3.910"
2" PVC / ABS socket	4.475"	4.950"



CALIFORNIA PROPOSITION 65 WARNING. This product contains chemicals known to the State of California to cause cancer and birth defects or other reproductive harm.

MIFAB CATALOGS



MPB-2022-USA
SPECIFICATION
DRAINAGE
(LIT-067)



CLPB-2022
LIGHT COMMERCIAL
PRODUCTS
(LIT-048)



AD-2022-USA
ACCESS DOORS
CATALOG
(LIT-043)



BEECO-2022
BACKFLOW PREVENTERS
AND ACCESSORIES
(LIT-071)



NH-2022-06
NO HUB COUPLINGS
CATALOG
(LIT-044)



TDPC-2023
POLYMER CONCRETE
TRENCH DRAINS
(LIT-076)



TD-2023
GRP & STEEL
TRENCH DRAINS
(LIT-046)



TDS-2023
SHOWER DRAINS
CATALOG
(LIT-077)



TDSS-2023
STAINLESS STEEL
TRENCH DRAINS
(LIT-072)



ROOFGUARD-2020
ROOFGUARD ROOF
DOMES
(LIT-058)



C-PORT-2023
ROOFTOP RUBBER
PIPE SUPPORTS
(LIT-047)



DB-2022
DIALYSIS BOXES
CATALOG
(LIT-070)



HYDROMAX-2020
SIPHONIC DRAINAGE
CATALOG
(LIT-082)



INT-2023
INTERCEPTORS & ACID
NEUTRALIZATION TANKS
(LIT-095)



TSP-2022-08
TRAP SEAL
PRIMERS
CATALOG
(LIT-062)





CLPB-2022

2022

CLPB CATALOG

LIGHT COMMERCIAL
DRAINAGE PRODUCTS



LIT-048