

**PD-730C**  
 **PD-720BN**  
 **PD-720CJP**

**PD-730BN**  
 **PD-730CJP**  
 **PD-720BNJP**

**PD-720C**  
 **PD-730BNJP**



## Single Handle Tub & Shower Faucet

# Product Spec Sheet



### FEATURES & BENEFITS

- 3 Setting Fixed Showerhead
- Metal Lever Handle
- Washerless Pressure Blancing Valve
- Decorative Slip Fit Spout With Diverter
- Max Flow Rate 2.0 GPM (7.6 L/MIN) At 80 PSI (ASME A112.18.1M/A112.18.1)

#### APPROVALS:

Meets or Exceeds The Following:

- \* ANSI/ASME A112.18.1M/A112.18.1
- \* IAPMO/cUPC

PD-730C  
Tub & Shower Faucet  
Chrome Finish

PD-730BN  
Tub & Shower Faucet  
Brushed Nickel Finish

PD-720C  
Shower Only Faucet  
Chrome Finish

PD-720BN  
Shower Only Faucet  
Brushed Nickel Finish

PD-730CJP  
Trim Kit for Tub & Shower Faucet  
Chrome Finish

PD-730BNJP  
Trim Kit for Tub & Shower Faucet  
Brushed Nickel Finish

PD-720CJP  
Trim Kit for Shower Only Faucet  
Chrome Finish

PD-720BNJP  
Trim Kit for Shower Only Faucet  
Brushed Nickel Finish



\* WaterSense Only On Models Containing Showerheads

**CALIFORNIA:**  
**TEXAS:**  
**NEW YORK:**

**TEL: 866-532-8306**  
**TEL: 800-935-5456**  
**TEL: 800-431-2082**

**FAX: 866-532-8307**  
**FAX: 800-683-4247**  
**FAX: 800-640-2252**

Visit Our Web Site : [www.matco-norca.com](http://www.matco-norca.com)

**PD-730C**  
 **PD-720BN**  
 **PD-720CJP**

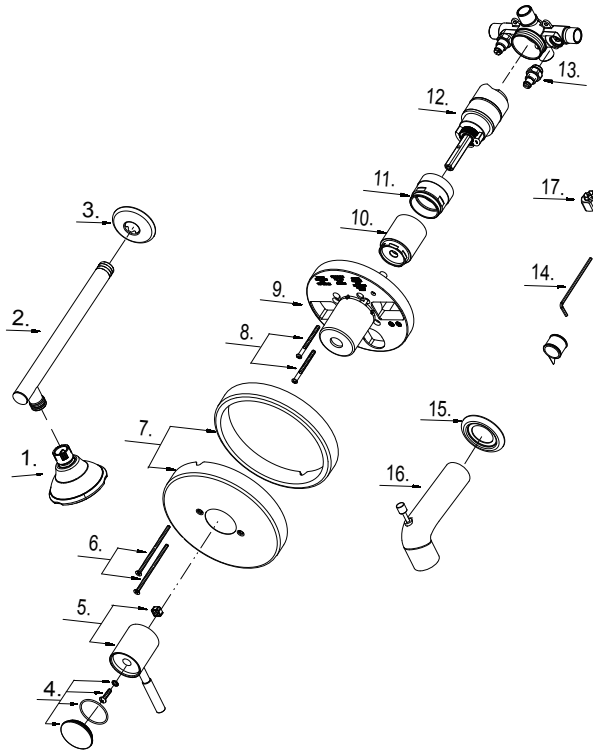
**PD-730BN**  
 **PD-730CJP**  
 **PD-720BNJP**

**PD-720C**  
 **PD-730BNJP**

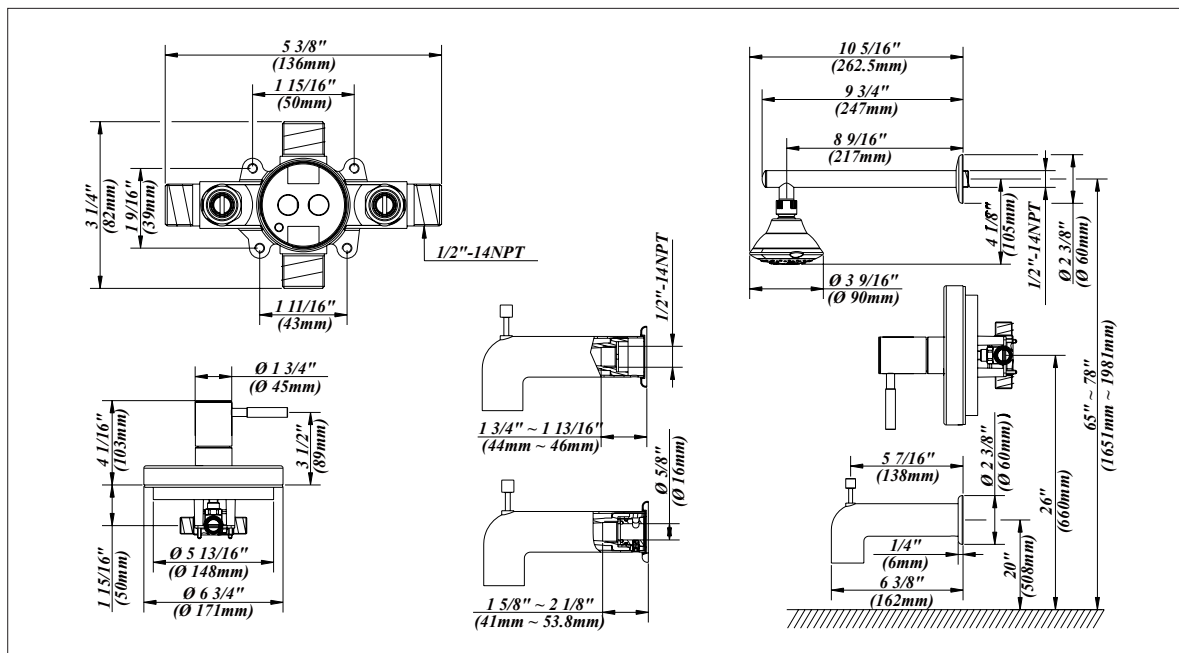


# Single Handle Tub & Shower Faucet

No.	Name	Part No.
1	Shower Head	S1234G03
2	Shower Arm	A604635
3	Shower Arm Flange	A019001
4	Handle Cap	A66D592
5	Metal Handle	A662098
6	Screw Set (3/16" -24 * 5" L)	A608226
7	Escutcheon Assembly	A667809
8	Screw Set (3/16" -24 * 2-3/16" L)	A608519
9	Plaster Guard	A127211KP
10	Sleeve	A103322
11	Retainer Nut	A103310
12	Washerless Cartridge Assembly	A507902
13	Check Valve	A603120
14	Hex Wrench (H3.18 *20 mm L * 90 mm L)	A031017NI
15	Spout Escutcheon	A303070
16	Spout W/Diverter	A523010
17	Plug	A028452



# Product Spec Sheet



**CALIFORNIA:**  
**TEXAS:**  
**NEW YORK:**

**TEL: 866-532-8306**  
**TEL: 800-935-5456**  
**TEL: 800-431-2082**

**FAX: 866-532-8307**  
**FAX: 800-683-4247**  
**FAX: 800-640-2252**

Visit Our Web Site : [www.matco-norca.com](http://www.matco-norca.com)