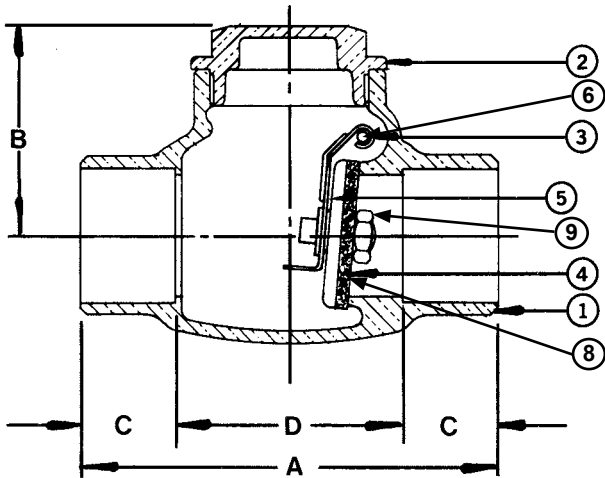


1510T 1/2"-2"

Bronze Check Valve
150 SWP - 300 WOG †
Horizontal Swing • Solder Ends
TFE Disc
Conforms to: MSS SP-80



Note: Not intended for use in potable water.

MATERIAL LIST			
No.	PART	MATERIAL	SPECIFICATION
1	Body	Bronze	ASTM B62
2	Cap	Bronze	ASTM B62
3	Lever	Brass	Commercial
4	Disc	Teflon	
5	Disc Holder	Brass	ASTM B16 3/8" to 3/4" Incl.
		Bronze	ASTM B62 1" to 2" Incl.
6	Pin	St. Steel	Commercial
7	Plug (not shown)	Brass	ASTM B16
8	Retaining Ring	St. Steel	Commercial
9	Disc Nut	Brass	Commercial

DIMENSIONS - INCHES/MILLIMETERS					
Units	Size	A	B	C	C _v
Inches mm	1/2	2.56 65	1.44 37	0.50 13	6.0
Inches mm	3/4	3.31 84	1.69 43	0.75 19	10.0
Inches mm	1	4.00 102	1.97 50	0.91 23	18.0
Inches mm	1 1/4	4.25 108	2.16 55	0.97 25	31.0
Inches mm	1 1/2	4.94 125	2.41 61	1.09 28	54.0
Inches mm	2	6.13 130	2.81 208	1.34 208	76.0

† Non-Shock

INNOVATION IN EVERY VALVE



The information presented on this sheet is correct at the time of publication. Milwaukee Valve reserves the right to change design, and/or material specifications without notice. For the Installation, Operation and Maintenance Manual (IOM) see the Technical/Service Information section on our website. For the most current information access www.milwaukeevalve.com

MILWAUKEE VALVE