

# MW Series\* 2"- 12"



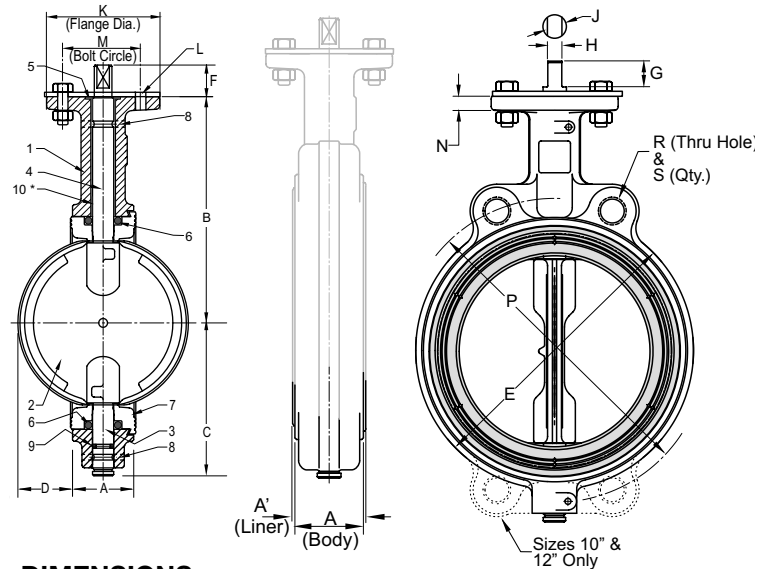
ABS Type Approved; Cat. A  
CFR-46

**Iron Butterfly Valve**  
**200 psi Non-Shock WOG**  
**U Series With Undercut Disc Available @ 50 psi**  
**For Dead End Service use ML Series**  
**Specifications: API-609 MSS SP-67 Type 1**

## MATERIALS LIST

ITEM	PART	MATERIALS
1	BODY	CAST IRON ASTM A126 CL.B
		CAST IRON EPOXY COATED
		DUCTILE IRON ASTM A536
		DUCTILE IRON-EPOXY COATED
2	DISC	DUCTILE IRON-NYLON COATED
		NP DUCTILE IRON ASTM A536
		ALUMINUM BRONZE ASTM B 148 **
		STAINLESS STEEL TYPE 316
		NYLON COATED DUCTILE IRON
		EPOXY COATED DUCTILE IRON
3	BOTTOM STEM	STAINLESS STEEL TYPE 416
		STAINLESS STEEL TYPE 316
4	TOP STEM	STAINLESS STEEL TYPE 416
		STAINLESS STEEL TYPE 316
5	TOP BEARING	REINFORCED NYLON
6	SEAL	EPDM, BUNA, VITON (1)
		BUNA
		EPDM
		VITON
		HYPALON
		NEOPRENE BLACK-FDA NEOPRENE WHITE-FDA TEFLON OVER BUNA (150# WOG)
8	ROLL PIN	STAINLESS STEEL
9	STEM SEAL	EPDM, BUNA, VITON (1)
10	LOWER BEARING	REINFORCED NYLON
		LEVER HANDLE
		EPOXY COATED LEVER HANDLE
		GEAR OPERATOR
		GEAR OPERATOR WITH MEMORY STOP
		GEAR OPERATOR WITH LOCK
		ACTUATOR-AIR/AIR
		ACTUATOR-AIR/SPRING
		ACTUATOR-ELECTRIC

(1) - VITON O-RINGS ARE USED WITH HYPALON,  
NEOPRENE, AND TEFLON LINERS.



## DIMENSIONS

	INCHES DN	VALVE SIZE								
		2	2-1/2	3	4	5	6	8	10	12
A (Body)	INCHES	1.69	1.81	1.81	2.07	2.19	2.19	2.38	2.69	3.06
	mm	43	46	46	52	55	55	60	68	78
A <sup>1</sup> (Liner)	INCHES	1.82	1.94	1.94	2.20	2.32	2.32	2.51	2.82	3.21
	mm	46	49	49	55	58	58	63	71	82
B	INCHES	5.50	6.00	6.25	7.00	7.53	8.00	9.38	10.56	12.06
	mm	139	152	158	177	191	203	238	268	306
C	INCHES	3.06	3.31	3.75	4.25	4.94	5.56	5.56	7.88	9.25
	mm	77	84	95	108	125	141	166	200	235
D (Chord Dia)	INCHES	1.49	2.01	2.64	3.67	4.71	5.66	7.72	9.70	11.68
	mm	37	51	67	93	119	143	196	246	296
D <sup>1</sup> (Intrusion)	INCHES	0.28	0.44	0.69	1.06	1.50	1.94	2.84	3.69	4.50
	mm	7	11	17	27	38	49	72	93	114
F	INCHES	1.13	1.13	1.13	1.13	1.13	1.13	1.50	1.50	1.50
	mm	28	28	28	28	28	28	38	38	38
G	INCHES	0.81	0.81	0.81	0.81	0.81	0.81	1.06	1.06	1.06
	mm	20	20	20	20	20	20	27	27	27
H	INCHES	0.35	0.35	0.35	0.40	0.40	0.44	0.53	0.71	0.71
	mm	8	8	8	10	10	11	13	18	18
J	INCHES	0.50	0.50	0.50	0.56	0.56	0.62	0.75	1.00	1.00
	mm	12	12	12	14	14	14	19	25	25
K	INCHES	4	4	4	4	4	4	6	6	6
	mm	101.6	101.6	101.6	101.6	101.6	101.6	152.4	152.4	152.4
L (Dia)	INCHES	0.44	0.44	0.44	0.44	0.44	0.44	0.56	0.56	0.56
	mm	11	11	11	11	11	11	14	14	14
M	INCHES	3.25	3.25	3.25	3.25	3.25	3.25	5.00	5.00	5.00
	mm	82	82	82	82	82	82	127	127	127
N	INCHES	0.44	0.44	0.44	0.44	0.44	0.44	0.50	0.50	0.50
	mm	11	11	11	11	11	11	12	12	12
P	INCHES	4.75	5.50	6.00	7.50	8.50	9.50	11.75	14.25	17.00
	mm	120	139	152	190	215	241	298	362	431
R	INCHES	5/8-11	5/8-11	5/8-11	5/8-11	3/4-10	3/4-10	3/4-10	7/8-9	7/8-9
	mm	15.875	15.875	15.875	15.875	19.05	19.05	19.05	19.05	19.05
S	INCHES	2	2	2	2	2	2	2	4	4
	mm	50.8	50.8	50.8	50.8	50.8	50.8	50.8	101.6	101.6

**\*Note:** The wetted surface of this product (In any material combination.) contacted by consumable water contains less than one quarter of one percent (.25%) of lead by weight.

\*\*Recommend Aluminum Bronze Disc in Water Service.

The information presented on this sheet is correct at the time of publication. Milwaukee Valve reserves the right to change design, and/or material specifications without notice. For the Installation, Operation and Maintenance Manual (IOM) see the Technical/Service Information section on our website. For the most current information access [www.milwaukeevalve.com](http://www.milwaukeevalve.com)



**M****L****2****3****4****E****A****VALVE SERIES****BODY STYLE****OPERATOR****BODY MATERIAL****DISC MATERIAL****LINER MATERIAL****SPECIAL OPTIONS**

**H** - H SERIES (250 PSI)  
**M** - M SERIES  
**O** - O SERIES  
**U** - U SERIES (75 psi)

**L** - LUG BODY  
**W** - WAFER BODY

**1** - VALVE ONLY  
**2** - LEVER HANDLE  
**3** - GEAR OPERATOR  
**5** - GEAR w/MEMORY STOP  
**9** - GEAR w/LOCK  
**N** - BURIED SERVICE GEAR  
 OPERATION w/2" SQ. NUT

- PNEUMATIC AND ELECTRIC  
 ACTUATION OPTIONS AVAILABLE.  
 PLEASE CONSULT FACTORY.

**2** - CAST IRON\*  
**3** - DUCTILE IRON

\*MILWAUKEE VALVE  
 RESERVES THE RIGHT TO  
 UPGRADE TO DI BODY  
 WITHOUT NOTICE FOR NO  
 ADDITIONAL COST.

**2** - NICKEL PLATED DUCTILE IRON  
**3** - ALUMINUM/BRONZE  
**4** - CF8M(316) STAINLESS STEEL  
**7** - NYLON COATED DUCTILE IRON  
**8** - EPOXY COATED DUCTILE IRON

**B** - BUNA-N  
**E** - EPDM  
**H** - HYPALON  
**NB** - FDA BLACK NEOPRENE  
**NW** - FDA WHITE NEOPRENE  
**T** - TEFLON OVER BUNA  
 (AVAILABLE w/SS DISC ONLY)  
**V** - VITON

**S** - 316 STEM W/AB OR NP DISC  
**A** - EPOXY COATED BODY  
**AD** - ASSEMBLE DRY-NO