

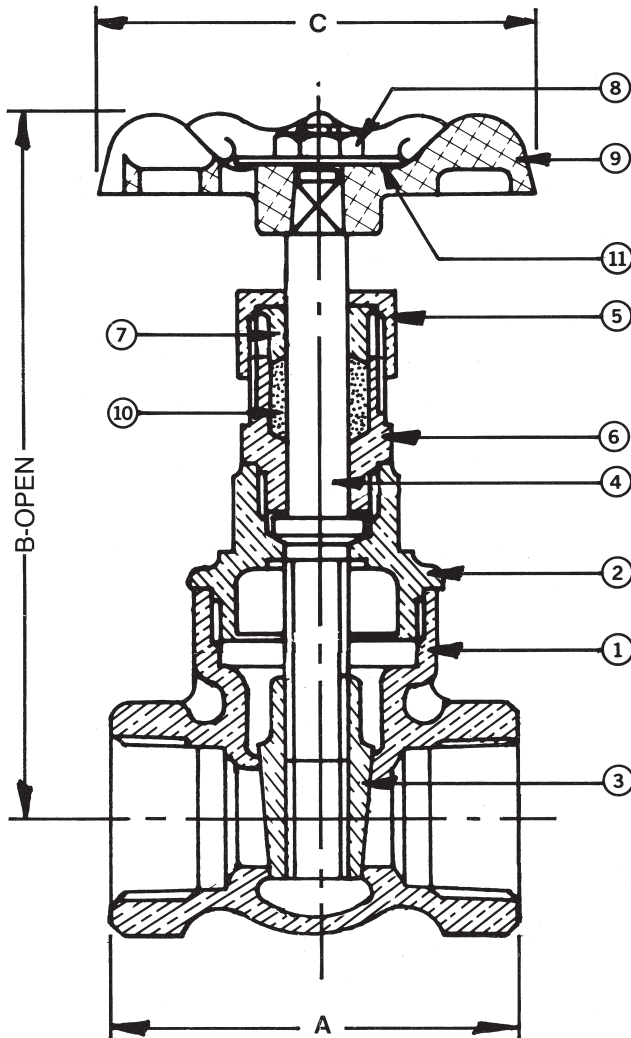
UP105* 1/4"-2"



WQA tested and Certified against NSF/ANSI 372 for "lead free" compliance.

**Bronze Gate Valve For Potable Water
Solid Wedge Disc • Non-Rising Stem
Threaded Ends, Threaded Bonnet
300 WOG†
Gland Packed**

Dimensions and Workmanship Conform to MSS SP-80



| DIMENSIONS - INCHES / MILLIMETERS | | | | | |
|-----------------------------------|-------|-------|--------|-------|----------------|
| Units | Size | A | B | C | C _v |
| Inches | 1/4 | 1.75 | 3.63 | 2.00 | 5.6 |
| mm | 6.35 | 44.45 | 92.08 | 50.80 | |
| Inches | 3/8 | 1.81 | 3.63 | 2.00 | 10.7 |
| mm | 9.53 | 46.05 | 92.08 | 50.80 | |
| Inches | 1/2 | 2.00 | 3.63 | 2.00 | 17.6 |
| mm | 12.70 | 50.80 | 92.08 | 50.80 | |
| Inches | 3/4 | 2.13 | 4.38 | 2.50 | 32.0 |
| mm | 19.05 | 53.98 | 111.13 | 63.50 | |
| Inches | 1 | 2.56 | 5.00 | 2.75 | 54.0 |
| mm | 25.40 | 65.10 | 127.00 | 69.85 | |
| Inches | 1 1/4 | 2.78 | 5.31 | 3.13 | 97.0 |
| mm | 31.75 | 70.64 | 134.95 | 79.38 | |
| Inches | 1 1/2 | 2.81 | 6.34 | 3.50 | 135.0 |
| mm | 38.10 | 71.45 | 161.13 | 88.90 | |
| Inches | 2 | 3.31 | 7.44 | 3.75 | 230.0 |
| mm | 50.80 | 84.15 | 188.93 | 95.25 | |

† Non-Shock

MATERIAL LIST

| NO. | PART | MATERIAL | SPECIFICATION |
|-----|--------------------|------------|----------------------|
| 1 | Body | Bronze | ASTM B584 C89833 |
| 2 | Bonnet | Bronze | ASTM B584 C89833 |
| 3 | Wedge | Bronze | ASTM B584 C89833 |
| 4 | Stem | Bronze | ASTM B21 C46400, H02 |
| 5 | Stuff Nut | Brass | ASTM B283 C37700 |
| 6 | Check Nut | Brass | ASTM B283 C27450 |
| 7 | Gland ¹ | Brass | ASTM B283 C37700 |
| 8 | Wheel Nut | Brass | Commercial |
| 9 | Handwheel | Mall. Iron | Commercial |
| 10 | Packing | Graphite | Commercial |
| 11 | Name Plate | Sh. Alum | Commercial |

¹ Not Used of 1/2" and Smaller

*Same design as Hammond UP645

Milwaukee Valve Company
16550 W. Stratton Drive
New Berlin, WI 53151
Phone: 262-432-2700
Fax: 262-432-2701

Note: Lead free refers to the wetted surface of the pipe, fittings and fixtures in potable water systems that have a weighted average lead content ≤ 0.25%. Source: California Health and Safety Code (116875).

The information presented on this sheet is correct at the time of publication. Milwaukee Valve reserves the right to change design, and/or material specifications without notice. For the Installation, Operation and Maintenance Manual (IOM) see the Technical/Service Information section on our website. For the most current information access www.milwaukeevalve.com

