

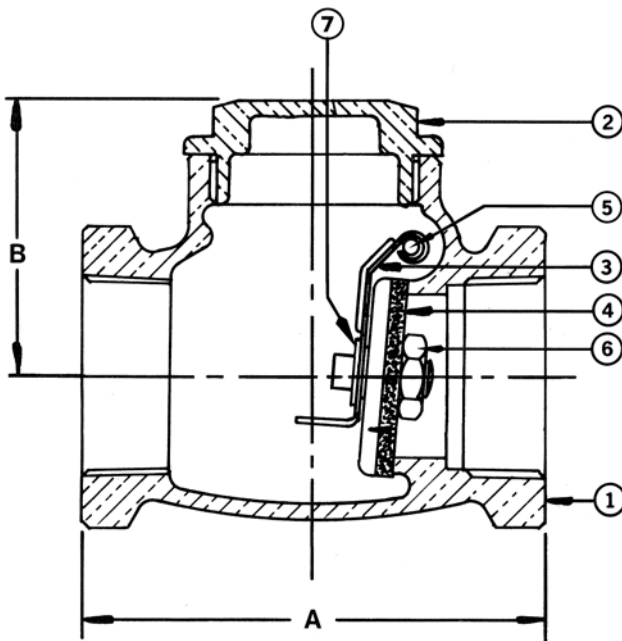
UP509* 1/4"-3"



WQA tested and Certified against NSF/ANSI 372 for "lead free" compliance.

**Bronze Horizontal Swing Check Valve
For Potable Water
300 WOG† 1/4"-2", 200 WOG† 2 1/2"-3"
Bronze Disc
Threaded Ends**

Dimensions and Workmanship Conform to MSS SP-80



*Same design as Hammond UP904

MATERIAL LIST			
NO.	PART	MATERIAL	SPECIFICATION
1	Body	Bronze	ASTM B584 C89833
2	Cap	Bronze	ASTM B584 C89833
3	Lever	St. Steel	Commercial 1/4" to 2" Incl.
		Bronze	ASTM B584 C89833 2 1/2" and 3"
4	Disc	Brass	ASTM B21 C46400 HO2 1/4" to 1 1/2"
		Bronze	ASTM B584 C89833 2" - 3"
5	Pin	St. Steel	Commercial
6	Disc Nut	Brass	ASTM B21 C46400 HO2 2 1/2" - 3"
7	Retaining Ring	St. Steel	Commercial
8	Plug (not shown)	Brass-509	ASTM B21 C46400 HO2

DIMENSIONS - INCHES/MILLIMETERS				
Units	Size	A	B	C _v
Inches mm	1/4	2.13 54	1.44 37	3.3
Inches mm	3/8	2.13 54	1.44 37	6.0
Inches mm	1/2	2.31 59	1.44 37	10.0
Inches mm	3/4	2.63 67	1.69 43	18.0
Inches mm	1	3.25 83	2.00 51	31.0
Inches mm	1 1/4	3.56 91	2.13 54	54.0
Inches mm	1 1/2	4.00 102	2.38 60	76.0
Inches mm	2	4.75 130	2.81 208	131.0
Inches mm	*2 1/2	6.00 152	3.63 92	233.8
Inches mm	*3	6.88 175	4.19 106	286.4

† Non-Shock

Milwaukee Valve Company
16550 W. Stratton Drive
New Berlin, WI 53151
Phone: 262-432-2700
Fax: 262-432-2701

Note: Lead free refers to the wetted surface of the pipe, fittings and fixtures in potable water systems that have a weighted average lead content ≤ 0.25%. Source: California Health and Safety Code (116875).

The information presented on this sheet is correct at the time of publication. Milwaukee Valve reserves the right to change design, and/or material specifications without notice. For the Installation, Operation and Maintenance Manual (IOM) see the Technical/Service Information section on our website. For the most current information access www.milwaukeevalve.com

