

# UPBA300/300S\* 1/4"-3"

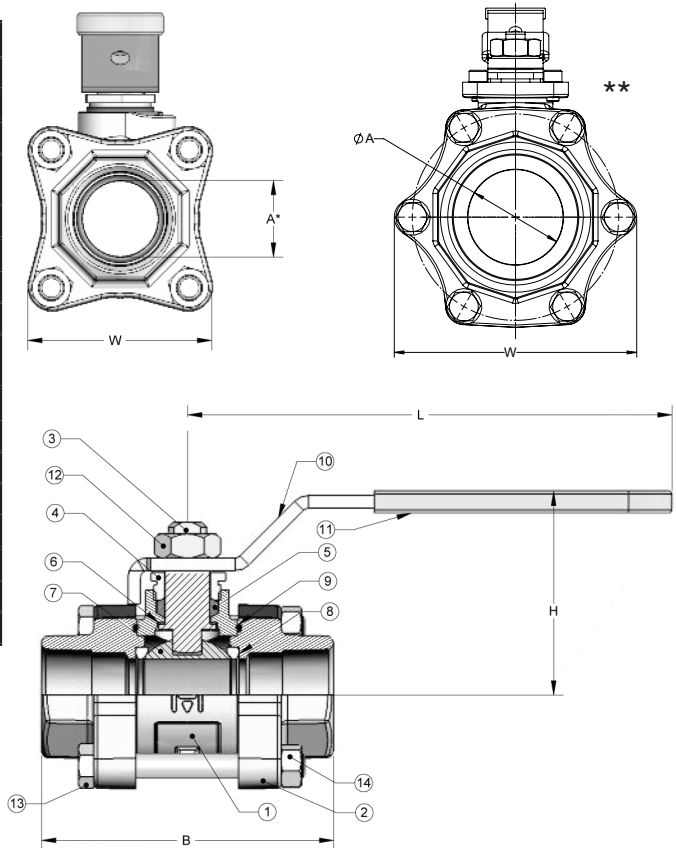
**Bronze Ball Valve For Potable Water**  
**Three-Piece • Full-Port**  
**Blow-Out Proof Stem**  
**600 PSIG WOG**  
**Threaded Ends**



WQA tested and Certified against NSF/ANSI 372 for "lead free" compliance.

**Dimensions and workmanship conform to MSS SP-110**

MATERIAL LIST			
ITEM	PART	MATERIAL	ASTM SPEC.
1	Body	Cast Bronze	B584 C89833
2	End Cap	Cast Bronze	B584 C89833
3	Stem	Brass	UNS C89833 or UNS C27450
		316 Stainless Steel (1)	A276
4	Packing Nut	Brass	B16
5	Packing	PTFE	
6	Thrust Washer	RPTFE, 25% Glass Reinforced	
7	Ball	Brass w/Hard Chrome Plating	B283 C69300 or UNS C27450
		316 Stainless Steel (1)	A276
8	Seat	RPTFE, 15% Glass Filled	
9	O-Ring	Viton	Commercial
10	Handle	Steel w/ Zinc Plating	B633
11	Handle Grip	Vinyl	
12	Handle Nut	Steel w/ Zinc Plating	Commercial
13	Bolt	Steel w/ Zinc Plating	Commercial
14	Nut	Steel w/ Zinc Plating	



(1) Ball and stem are stainless for UPBA300.

\*Same design as Hammond UP8604/8603.

\*\* Threaded Only.

## DIMENSIONS

	UNITS	1/4"	3/8"	1/2"	3/4"	1"	1 1/4"	1 1/2"	2"	2 1/2"	3" *
		DN6	DN10	DN15	DN20	DN25	DN32	DN40	DN50	DN 65	DN 80
A	INCHES	0.5	0.5	0.5	0.75	1	1.25	1.5	2	2.5	2.5
	mm	13	13	13	19	25	32	38	51	64	64
B	INCHES	3.03	3.03	3.03	3.65	3.82	4.86	5.06	6	6.84	6.84
	mm	77	77	77	90	97	123	129	152	174	174
H	INCHES	1.65	1.65	1.65	2.24	2.65	2.86	3.03	3.26	4.09	4.09
	mm	42	42	42	57	67	73	77	83	104	104
L	INCHES	4.03	4.03	4.06	4.58	6.3	6.32	7.2	7.2	8	8
	mm	102	102	103	116	160	161	183	183	203	203
W	INCHES	1.95	1.95	1.95	2.19	2.48	3	3.13	3.78	5	5
	mm	50	50	50	56	63	76	80	96	127	127
F	THREAD	1/4"	3/8"	1/2"	3/4"	1"	1 1/4"	1 1/2"	2"	2 1/2"	3"
	SIZE	NPT	NPT	NPT	NPT	NPT	NPT	NPT	NPT	NPT	NPT
Cv		7	7	17	31	60	110	185	360	390	390

Note: DN(Diameter Nominal)=Metric Equivalent Size

**Note:** Lead free refers to the wetted surface of the pipe, fittings and fixtures in potable water systems that have a weighted average lead content ≤ 0.25%. Source: California Health and Safety Code (116875).

The information presented on this sheet is correct at the time of publication. Milwaukee Valve reserves the right to change design, and/or material specifications without notice. For the Installation, Operation and Maintenance Manual (IOM) see the engineering section on our website. For the most current information access [www.milwaukeevalve.com](http://www.milwaukeevalve.com)

Milwaukee Valve Company  
 16550 W. Stratton Drive  
 New Berlin, WI 53151  
 Phone: 262-432-2700  
 Fax: 262-432-2701

