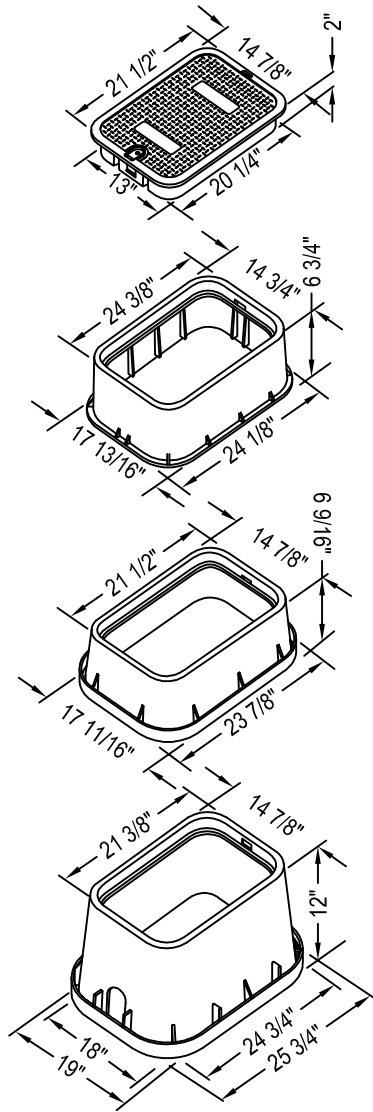




NDS, INC.
 851 NORTH HARVARD AVE.
 LINDSAY, CA 93247
 TOLL FREE: 1-800-726-1994
 PHONE: (559) 562-9888
 FAX: (559) 562-4488
 www.ndspro.com

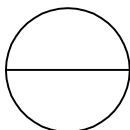


PERSPECTIVE

PART NUMBER	DESCRIPTION - MARKING	COLOR (BOX/COVER)	PALLET QTY.	WEIGHT EA.	PRODUCT CLASS
BOX & COVER					
117BC	13"X20" JUMBO BOX, OVERLAPPING COVER - ICV	BLACK/GREEN	56	14.00	20ND
117BC SAND	13"X20" JUMBO BOX, OVERLAPPING COVER - ICV	SAND/SAND	56	14.00	20ND
117BCS	13"X20" JUMBO BOX, OVERLAPPING COVER - SEWER	BLACK/GREEN	56	14.00	20NM
119	13"X20"X6" JUMBO EXTENSION, OVERLAPPING COVER - ICV	BLACK/GREEN	32	12.00	20ND
119TBC	13"X20"X6" TAPERED BOX, OVERLAPPING COVER - ICV	BLACK/GREEN	56	12.00	20ND
119 SAND	13"X20"X6" JUMBO EXTENSION, OVERLAPPING COVER - ICV	SAND/SAND	32	12.00	20ND
COVER ONLY					
117C	13"X20" OVERLAPPING COVER - ICV	GREEN	180	5.00	20ND
117C SAND	13"X20" OVERLAPPING COVER - ICV	SAND	180	5.00	20ND
117CS	13"X20" JUMBO OVERLAPPING COVER - SEWER	GREEN	180	5.00	20NM
BOX ONLY					
117B	13"X20" JUMBO BOX	BLACK	56	9.00	20NM
117-6	13"X20"X6" JUMBO EXTENSION	BLACK	32	6.00	20ND
119TB	13"X20"X6" TAPERED BOX	BLACK	56	6.00	20ND
113BB	2-1/2" X 3/8" SS BOLT	STEEL	(BAG OF 10)	0.10	20NM

NOTES:

1. INSTALLATION TO BE COMPLETED IN ACCORDANCE WITH MANUFACTURER'S SPECIFICATIONS.
2. DO NOT SCALE DRAWING.
3. THIS DRAWING IS INTENDED FOR USE BY ARCHITECTS, ENGINEERS, CONTRACTORS, CONSULTANTS AND DESIGN PROFESSIONALS FOR PLANNING PURPOSES ONLY.
4. ALL INFORMATION CONTAINED HEREIN WAS CURRENT AT THE TIME OF DEVELOPMENT BUT MUST BE REVIEWED AND APPROVED BY THE PRODUCT MANUFACTURER TO BE CONSIDERED ACCURATE.



PRO SERIES VALVE BOXES

13" X 20" JUMBO RECTANGULAR - 117BC