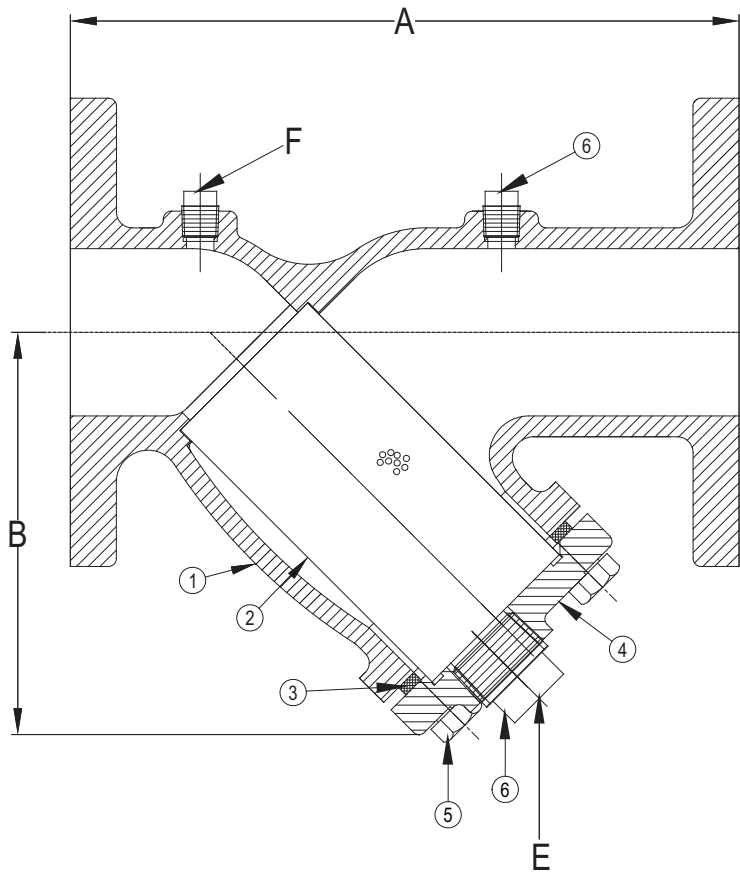


DRAWING NO.
AL 91600



BODY PRESSURE & TEMPERATURE RATINGS – NON SHOCK			
NOM. RATING	MEDIA	2" to 12"	14" and UP
125# F.F. & D. (STANDARD FLANGE)	STEAM	125 PSI @ 450°F	100 PSI @ 353°F
	W.O.G.	200 PSI @ 150°F	150 PSI @ 150°F

PARTS LIST		
ITEM	DESCRIPTION	MATERIAL
1	BODY	CAST IRON (ASTM A 126, CLASS B)
2	SCREEN	STAINLESS STEEL (304)
3	GASKET	COMPOSITION
4	COVER	CAST IRON (ASTM A 126, CLASS B)
5	HEX HEAD CAP SCREWS	STEEL
6	PLUG	CARBON STEEL (ASTM A 105)


Product Number [†]	SIZE	DIMENSIONS (in)				COVER		WEIGHT (lbs)
		A	B	E	F	No of bolts	Size of Bolts	
21FFY-CI062P34-FBB	2	7-7/8	5-1/16	1/2	1/4	6	3/8-16 x 1-1/2	17
21/21FFY-CI-062P34-FBB	2-1/2	10	6-1/8	1	1/4	6	3/8-16 x 1-1/2	24
31FFY-CI06234-FBB	3	10-1/8	6-9/16	1	1/4	4	1/2-13 x 1-3/4	31
41FFY-CI062P34-FBB	4	12-1/8	8-1/16	1-1/2	1/4	4	1/2-13 x 1-1/2	50
51FFY-CI125P34-FBB	5	15-5/8	11	2	1/4	8	5/8-11 x 1-3/4	86
61FFY-CI125P34-FBB	6	18-1/2	12-5/8	2	1/4	8	5/8-11 x 1-3/4	114
81FFY-CI125P34-FBB	8	21-5/8	15-5/8	2	1/4	8	3/4-10 x 2	203
101FFY-CI125P34-FBB	10	25-3/4	17-3/4	2	1/4	12	7/8-9 x 2-1/4	293
121FFY-CI125P34-FBB	12	29-7/8	21-5/16	2	1/4	12	7/8-9 x 2-1/2	489
141FFY-CI125P34-FBB	14	33-1/4	26-3/4	2	N/A			772
161FFY-CI125P34-FBB	16	38-3/4	30-1/8	2	N/A			994
181FFY-CI125P34-FBB	18	43-1/2	33-1/4	2	N/A			1379
201FFY-CI125P34-FBB	20	49-1/2	39-1/4	2	N/A			1652
241FFY-CI125P34-FBB	24	55-13/16	41	2	N/A	-	-	3400

[†]See "Style A-7 Product Number Configuration" for additional options.

STANDARD SCREENS SUPPLIED

SIZE in	SCREEN GAGE	SCREEN PERFORATION			
		FOR STEAM in	OPEN AREA	FOR LIQUID in	OPEN AREA
2 to 4	28	3/64	33%	1/16	30%
5 to 10	24	3/64	33%	1/8	43%
12	24	1/16	30%	1/8	43%
14 & UP	20	1/8	43%	1/8	43%

Standard screens supplied are for **liquid service**, unless otherwise specified.
Options: Other perforations, meshes, and screen materials are available.

 3400 CLEVELAND SKOKIE ILLINOIS	DRAWING NO. AL 91600
	PART NO.
DIMENSIONAL ASSEMBLY	SCALE: NTS
2" to 24" 125# Flg Style A-7	DATE: 02/10/2016
MAT'L: (As Noted Above)	DR. BY DSF
REQ. ---	