

J-HANGER



FUNCTION: Designed for the suspension of stationary piping systems. The “T” slot in the hanger permits the side bolt to be installed after installation and setting of pipe. The side hole permits optional wall mounting. Fig. 970F has a layer of felt which helps to reduce vibration and sound.

APPROVALS: Complies with Federal Specifications A-A-1192A (Type 5) and Manufacturers’ Standardization Society ANSI/SP-69 and SP-58 (Type 5).

ORDERING: Specify pipe size and figure number.

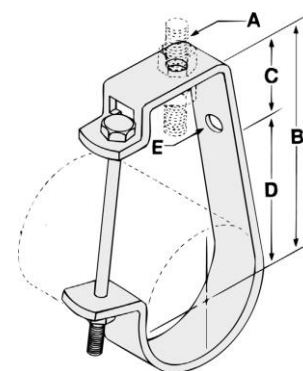
Fig. 970, 970F & 973 J-HANGER

Fig. 970 ELECTRO-GALVANIZED

Fig. 970F ELECTRO-GALVANIZED WITH FELT LINING

Fig. 973 ELECTRO-GALVANIZED WITH PVC COATING

Pipe Size	Rod Size A	B	C	D	Hole Dia. E	Bolt Size	Max. Rec. Load		Wt. Each	
							lbs.	kN	lbs.	kg
1/2 (15)	3/8	2 ⁵ / ₈ (66.68)	1 (25.40)	1 ¹⁵ / ₁₆ (49.21)	1 ³ / ₃₂ (10.32)	1/4 x 2 ¹ / ₄	400 (1.78)	.20 (.09)		
3/4 (20)	3/8	2 ⁷ / ₈ (73.03)	1 (25.40)	2 ¹ / ₄ (57.15)	1 ³ / ₃₂ (10.32)	1/4 x 2 ¹ / ₄	400 (1.78)	.23 (.10)		
1 (25)	3/8	3 ¹ / ₁₆ (77.79)	1 (25.40)	2 ³ / ₈ (60.33)	1 ³ / ₃₂ (10.32)	1/4 x 2 ¹ / ₂	400 (1.78)	.24 (.11)		
1 1/4 (32)	3/8	3 ⁵ / ₁₆ (84.14)	1 1/16 (26.99)	2 ⁹ / ₁₆ (65.09)	1 ³ / ₃₂ (10.32)	1/4 x 2 ³ / ₄	400 (1.78)	.27 (.12)		
1 1/2 (40)	3/8	3 ⁹ / ₁₆ (90.49)	1 1/16 (26.99)	2 ¹¹ / ₁₆ (68.26)	1 ³ / ₃₂ (10.32)	1/4 x 3	400 (1.78)	.29 (.13)		
2 (50)	3/8	3 ³ / ₄ (95.25)	1 1/8 (28.58)	2 ¹⁵ / ₁₆ (74.61)	1 ³ / ₃₂ (10.32)	1/4 x 3 1/2	400 (1.78)	.32 (.15)		
2 1/2 (65)	1/2	4 ⁷ / ₁₆ (112.71)	1 1/8 (28.58)	3 ⁹ / ₁₆ (90.49)	9/16 (14.29)	3/8 x 4 1/2	800 (3.56)	.71 (.32)		
3 (80)	1/2	4 ⁷ / ₈ (123.83)	1 1/8 (28.58)	4 (101.60)	9/16 (14.29)	3/8 x 5	800 (3.56)	.77 (.35)		
3 1/2 (90)	1/2	5 ³ / ₁₆ (131.76)	1 1/8 (28.58)	4 1/4 (107.95)	9/16 (14.29)	3/8 x 6	800 (3.56)	.84 (.38)		
4 (100)	5/8	6 ¹ / ₈ (155.58)	1 1/8 (28.58)	5 ¹ / ₈ (130.18)	9/16 (14.29)	3/8 x 6	800 (3.56)	1.39 (.63)		
5 (125)	5/8	6 ³ / ₄ (171.45)	1 1/8 (28.58)	5 ³ / ₄ (146.05)	9/16 (14.29)	3/8 x 7 1/2	800 (3.56)	1.66 (.75)		
6 (150)	3/4	7 ³ / ₄ (196.85)	1 1/4 (31.75)	6 ⁹ / ₁₆ (166.69)	9/16 (14.29)	3/8 x 8 1/2	1000 (4.45)	2.26 (1.03)		
8 (200)	3/4	9 ¹ / ₄ (234.95)	1 1/4 (31.75)	7 ¹⁵ / ₁₆ (201.61)	9/16 (14.29)	3/8 x 10	1200 (5.34)	3.32 (1.51)		



Note: If ordering Fig. 970F felt lined hangers for pipe sizes of 3-1/2" (90) or under, order the next largest size to allow for the thickness of the felt lining.

MATERIAL: Low carbon steel.