

MOTORS & CONTROL BOXES



SUBMERSIBLE MOTORS & CONTROL BOXES

4" Submersible Motors	2
Specifications and Materials	3
Ordering Information	4
Dimensions and Weights	9
Leads and Accessories.....	10
6" Submersible Motors	11
Specifications and Materials	12
Ordering Information	13
Dimensions and Weights	18
Leads and Accessories.....	19
8" Submersible Motors	20
Specifications and Materials	21
Ordering Information	22
Dimensions and Weights	25
Leads and Accessories.....	26
Control Boxes	27
Parts.....	32
Accessories & Services	35
Couplings.....	35
QD Service Box & Special Services.....	37

For the most up-to-date product information, visit franklinwater.com.

4" SUBMERSIBLE MOTORS

These motors are built for dependable operation in 4" diameter or larger water wells.

BASIC FEATURES

- Corrosion-resistant stainless steel exterior
- Stainless steel splined shaft
- Hermetically-sealed windings
- StatorShield™ resin system
- Filter check valve
- Water lubrication
- Kingsbury-type thrust bearing
- Pressure-equalizing diaphragm
- Built-in lightning arrestors (all single-phase; 200 & 300 V three-phase)
- Removable Water-Bloc™ lead
- Franklin-manufactured control boxes available for single-phase motors
- UL 778 recognized (North American voltages)
- CSA certified
- ANSI/NSF 61 certified
- Industry standard NEMA mounting dimensions

SPECIAL FEATURES

- Flow inducer sleeve not required in water up to 86 °F (30 °C) for motors through 2 hp
- Two-wire motors are split-phase designs with integral starting components and do not require a control box; features Franklin's patented 2-wire BIAC starting switch, which provides reverse impact torque to aid starting in adverse environments and prevents extreme fast cycling (e.g. water-logged tank)
- Three-wire motors through 1 hp use Franklin's exclusive three-wire QD (Quick Disconnect) Control Box with the patented QD Relay. This relay provides the ultimate in operational life
- Single-phase motors can be used with Pumptec products to protect against dry-run and other installation conditions that can damage motors and/or pumps; see single-phase protection devices for details

POLLUTION RECOVERY OPTION

- Pollution Recovery motors are equipped for use in monitoring and recovery wells in which hydrocarbons and other chemicals may be present
- Features nitrile rubber parts and other chemical-resistant materials as listed in the construction materials chart



4" SUBMERSIBLE MOTORS - SPECIFICATIONS AND MATERIALS

MOTOR SPECIFICATIONS

Hz	Model	Phase	HP Range	kW Range	Poles	RPM	Max. Ambient Temp.	Duty Rating
50	Super Stainless	1	0.5 - 1.5	0.37 - 1.1	2	2875	86 °F / 30 °C	Continuous
		1	0.3 - 3	0.25 - 2.2				Continuous*
		3	0.5 - 3	0.37 - 2.2				Continuous*
	Pollution Recovery	1	0.5 - 1.5	0.37 - 1.1				Continuous
		1	0.3 - 2	0.25 - 1.5				Continuous*
		3	0.5 - 2	0.37 - 1.5				Continuous*
	High Thrust	1	1.5 - 5	1.1 - 3.7				Continuous*
		3	1.5 - 10	1.1 - 7.5				Continuous*
		1	0.3 - 1.5	0.25 - 1.1				Continuous
60	Super Stainless	1	0.3 - 3	0.25 - 2.2	2	3450	86 °F / 30 °C	Continuous*
		3	0.5 - 3	0.37 - 2.2				Continuous*
		1	0.3 - 1.5	0.25 - 1.1				Continuous
	Pollution Recovery	1	0.3 - 2	0.25 - 1.5				Continuous*
		3	0.5 - 2	0.37 - 1.5				Continuous*
		1	1.5 - 5	1.1 - 3.7				Continuous*
	High Thrust	3	1.5 - 10	1.1 - 7.5				Continuous*

*3 hp motors require 0.25 ft/sec flow past motor

CONSTRUCTION MATERIALS

Model No.	-	-	-8602G	-8802G	-3529G (not including 15HP)	-0630G	-8502G	-8702G	-8801G
Model Type	Super Stainless	Super Stainless	High Thrust	High Thrust	High Thrust	High Thrust	High Thrust	High Thrust	High Thrust
Component	Watwer Well	Pollution Recovery	Water Well	Sand Fighter®	CBM+	SERIES 600M	316 SS	Oil Stripper	ES
Top Castings	304 SS over Iron	304 SS over Iron	303 SS	303 SS	316 SS	303 SS	316 SS	316 SS	316 SS
Bottom Castings	Cast iron	Cast iron	304 SS over cast iron	304 SS over cast iron	316 SS	304 SS over cast iron	316 SS	316 SS	304 SS over cast iron
Stator Shell	301 SS	301SS	304 SS	304 SS	316 SS	316 SS	316 SS	316 SS	304 SS
Stator Ends	Low-carbon steel	Low-carbon steel	Low-carbon steel	Low-carbon steel	316 SS	Low-carbon steel	316 SS	316 SS	Low-carbon steel
Shaft Extension	17-4 SS	17-4 SS	17-4 SS	17-4 SS	17-4 SS	17-4 SS	17-4 SS	17-4 SS	17-4 SS
Fasteners	300 Series SS	316 SS	300 Series SS	300 Series SS	316 SS	300 Series SS	316 SS	316 SS	300 Series SS
Seal Cover	Acetal	Tefzel	Acetal	Sintered bronze	316 SS	Sintered bronze	316 SS	316 SS	Sintered bronze
Seal	Lip-Nitrile	Lip-FKM	Lip-Nitrile	Mech-Nitrile, SiC face	Mech-FKM, SiC face	Mech-FKM, SiC face	Mech-Nitrile, SiC face	Mech-FKM, SiC face	Mech-FKM, SiC face
Diaphragm	Nitrile	FKM	Nitrile	Nitrile	FKM	Nitrile	Nitrile	FKM	FKM
Diaphragm Cup	N/A	N/A	316 SS	316 SS	316 SS	316 SS	316 SS	316 SS	316 SS
Diaphragm Spring	N/A	N/A	316 SS	316 SS	316 SS	316 SS	316 SS	316 SS	316 SS
Diaphragm Cover	304 SS	304 SS	304 SS	304 SS	316 SS	316 SS	316 SS	316 SS	304 SS
Slinger	Nitrile	FKM	Nitrile	Nitrile	FKM	Nitrile	Nitrile	FKM	FKM
Lead Wire/Cable	XLPE or EPCV	sold separately	XLPE or EPCV	XLPE or EPCV	sold separately	XLPE or EPCV	XLPE or EPCV	Nitrile	Sold separately
Lead Potting	Epoxy	N/A	Epoxy	Epoxy	N/A	Epoxy	Epoxy	Epoxy	N/A
Lead Type	303 SS jam nut	304 SS jam nut	316 SS screws/clamp	316 SS screws/clamp	316 SS screw/clamp	316 SS screws/clamp	316 SS screws/clamp	316 SS screws/clamp	316 SS screw/clamp
Filter	Polyester	Polyester	Acetal/polyester	Acetal/polyester	316 SS plug	Acetal/polyester	316 SS plug	316 SS plug	316 SS plug
Max Temp Range	30C	30C	30C (1/4 ft/sec)	30C (1/4 ft/sec)	50C (1/4 ft/sec)	30C (1/4 ft/sec)	30C (1/4 ft/sec)	80C (1 ft/sec)	30C (1/4 ft/sec)
Thrust Rating	300 to 900	300 to 900	1500	1500	1500	300 to 1500	1500	1500	1500



4" SUBMERSIBLE MOTORS - ORDERING INFORMATION

2-WIRE MODELS

HP	Description	Volts	Hz	S.F.	Motor Lead	Model No.	In Stock	Thrust Rating	Wt. (Lbs)
1/3	Water Well	115	60	1.75	-	2445020117GS	-	300	16
		115	60	1.75	Yes	2445029004GS	Yes	300	16
		230	60	1.75	-	2445030117GS	-	300	16
		230	60	1.75	Yes	2445039004GS	Yes	300	16
	Pollution Recovery	115	60	1.75	-	2445020917GS	-	300	16
		230	60	1.75	-	2445030917GS	-	300	16
1/2	Water Well	115	60	1.6	-	2445040117GS	-	300	18
		115	60	1.6	Yes	2445049004GS	Yes	300	18
		220	50	1.0	-	2445550117GS	-	300	18
		230	60	1.6	-	2445050117GS	-	300	18
		230	60	1.6	Yes	2445059004GS	Yes	300	18
	Pollution Recovery	115	60	1.6	-	2445040917GS	-	300	18
		230	60	1.6	-	2445050917GS	-	300	18
3/4	Water Well	220	50	1.0	-	2445570117GS	-	300	21
		230	60	1.5	-	2445070117GS	-	300	21
		230	60	1.5	Yes	2445079004GS	Yes	300	21
	Pollution Recovery	230	60	1.5	-	2445070917GS	-	300	21
1	Water Well	220	50	1.0	-	2445581203GS	-	650	24
		230	60	1.4	-	2445081203GS	-	650	24
		230	60	1.4	Yes	2445089003GS	Yes	650	24
	Pollution Recovery	230	60	1.4	-	2445082303GS	-	650	24
1.5	Water Well	220	50	1.0	-	2443591217GS	-	650	31
		230	60	1.3	-	2443091217GS	-	650	31
		230	60	1.3	Yes	2443099004GS	Yes	650	31
	Pollution Recovery	230	60	1.3	-	2443092317GS	-	650	31

NOTE: Pack Designation (--S) = Single Pack, available in any quantity; All 3 hp motors are single-packed; Contact factory for lead time for non-stocked items; Pallet packs available but not shown; Contact customer service for availability

4" SUBMERSIBLE MOTORS - ORDERING INFORMATION

3-WIRE MODELS

HP	Description	Volts	Hz	S.F.	Motor Lead	Model No.	In Stock	Thrust Rating	Wt. (Lbs)	
1/3	Water Well	115	60	1.75	Yes	2145029004GS	Yes	300	17	
		220	50	1.0	-	2145534116GS	-	300	17	
		230	60	1.75	-	2145034416GS	-	300	17	
	Pollution Recovery	230	60	1.75	Yes	2145039004GS	Yes	300	17	
		115	60	1.75	-	2145024916GS	-	300	17	
1/2	Water Well	230	60	1.75	-	2145034916GS	-	300	17	
		115	60	1.6	-	2145044416GS	-	300	19	
		115	60	1.6	Yes	2145049004GS	Yes	300	19	
		220	50	1.0	-	2145554116GS	Yes	300	19	
		220	50	1.0	Yes	2145559204GS	Yes	300	19	
	Pollution Recovery	230	60	1.6	-	2145054416GS	-	300	19	
		230	60	1.6	Yes	2145059004GS	Yes	300	19	
		115	60	1.6	-	2145044916GS	-	300	19	
		230	60	1.6	-	2145054916GS	-	300	19	
		230	60	1.5	-	2145074916GS	-	300	21	
3/4	Water Well	220	50	1.0	-	2145574116GS	Yes	300	21	
		220	50	1.0	Yes	2145579204GS	-	300	21	
		230	60	1.5	-	2145074416GS	-	300	21	
		230	60	1.5	Yes	2145079004GS	Yes	300	21	
	Pollution Recovery	230	60	1.5	-	2145074916GS	-	300	21	
1	Series 600M	230	60	1.5	Yes	2145070600GS	Yes	300	22	
	Water Well	220	50	1.0	-	2145581903GS	Yes	650	24	
		220	50	1.0	Yes	2145589203GS	Yes	650	24	
		230	60	1.4	-	2145081203GS	-	650	24	
		230	60	1.4	Yes	2145089003GS	Yes	650	24	
	Pollution Recovery	230	60	1.4	-	2145082303GS	-	650	24	
	Series 600M	230	60	1.4	Yes	2145080610GS	Yes	650	25	
	1.5	Water Well	220	50	1.0	-	2243501903GS	Yes	650	28
220			50	1.0	Yes	2243509203GS	Yes	650	28	
230			60	1.3	-	2243001903GS	Yes	650	28	
230			60	1.3	Yes	2243009203GS	Yes	650	28	
230			60	1.3	-	2243008600G	-	1500	38	
Pollution Recovery		230	60	1.3	-	2243002303GS	-	650	28	
Series 600M		230	60	1.3	Yes	2243000610GS	Yes	650	25	
316 SS		230	60	1.3	Yes	2243008502G	-	1500	40	
2	Water Well	220	50	1.0	-	2243511916GS	Yes	650	33	
		220	50	1.0	Yes	2243519204GS	Yes	650	33	
		220	50	1.0	Yes	2243518602G	-	1500	43	
		230	60	1.25	-	2243011916GS	Yes	650	33	
		230	60	1.25	Yes	2243019204GS	Yes	650	33	
		230	60	1.25	-	2243018600G	-	1500	43	
		230	60	1.25	Yes	2243018602G	-	1500	43	
	Pollution Recovery	230	60	1.25	-	2243012316GS	-	650	33	
	Series 600M	230	60	1.25	Yes	2243010610GS	Yes	650	29	
	Sand Fighter®	230	60	1.15	Yes	2243018802G	Yes	1500	43	
3	Water Well	Oil Stripper	230	60	1.25	Yes	2243018702G	-	1500	46
		316 SS	230	60	1.25	Yes	2243018502G	-	1500	45
		220	50	1.0	-	2243522504G	Yes	900	41	
		220	50	1.0	-	2243528600G	-	1500	56	
		230	60	1.15	-	2243022504G	-	900	41	
		230	60	1.15	Yes	2243022604G	Yes	900	41	
		230	60	1.15	-	2243028600G	-	1500	56	
	Series 600M	230	60	1.15	Yes	2243028602G	Yes	1500	56	
	230	60	1.15	Yes	2243020620G	Yes	900	35		
	230	60	1.15	Yes	2243020630G	Yes	1500	44		
5	Water Well	Sand Fighter®	230	60	1.15	Yes	2243028802G	Yes	1500	56
		Oil Stripper	230	60	1.15	Yes	2243028702G	-	1500	56
		316 SS	230	60	1.15	Yes	2243028502G	-	1500	56
		220	50	1.0	-	2243538600G	Yes	1500	71	
	230	60	1.15	-	2243038600G	-	1500	71		
	230	60	1.15	Yes	2243038602G	Yes	1500	71		
	Series 600M	230	60	1.15	Yes	2243030630G	Yes	1500	56	
Sand Fighter®	230	60	1.15	Yes	2243038802G	Yes	1500	71		
	Oil Stripper	230	60	1.15	Yes	2243038702G	-	1500	71	
	316 SS	230	60	1.15	Yes	2243038502G	-	1500	71	

NOTE: Pack Designation (-S) = Single Pack, available in any quantity; All 3 hp motors are single-packed; Contact factory for lead time for non-stocked items; Pallet packs available but not shown; Contact customer service for availability



4" SUBMERSIBLE MOTORS - ORDERING INFORMATION

THREE-PHASE MODELS

HP	Description	Volts	Hz	S.F.	Motor Lead	Model No.	In Stock	Thrust	Wt. (Lbs)
1/2	Water Well	48	60	1.5	Yes	2349049204GS	Yes	300	18
		200	60	1.6	-	2345014116GS	-	300	18
		200	60	1.6	Yes	2345019204GS	-	300	19
		220	50	1.0	-	2345514116GS	-	300	18
		230	60	1.6	-	2345114116GS	-	300	18
		230	60	1.6	Yes	2345119204GS	-	300	19
		380-415	50	1.0	-	2345613116GS	Yes	300	18
		460	60	1.6	-	2345213116GS	-	300	18
		460	60	1.6	Yes	2345219404GS	Yes	300	19
	575	60	1.6	Yes	2345319404GS	-	300	19	
	Pollution Recovery	200	60	1.6	-	2345014916GS	-	300	18
		230	60	1.6	-	2345114916GS	-	300	18
460		60	1.6	-	2345214916GS	-	300	18	
3/4	Water Well	100	60	1.5	Yes	2349029204GS	Yes	300	21
		200	60	1.5	-	2345024116GS	-	300	21
		200	60	1.5	Yes	2345029204GS	-	300	22
		220	50	1.0	-	2345524116GS	-	300	21
		230	60	1.5	-	2345124116GS	-	300	21
		230	60	1.5	Yes	2345129204GS	-	300	22
		380-415	50	1.0	-	2345623116GS	Yes	300	21
		460	60	1.5	-	2345223116GS	-	300	21
		460	60	1.5	Yes	2345229404GS	-	300	22
	575	60	1.5	Yes	2345329404GS	-	300	22	
	Pollution Recovery	200	60	1.5	-	2345024916GS	-	300	21
		230	60	1.5	-	2345124916GS	-	300	21
		460	60	1.5	-	2345224916GS	-	300	21
	Series 600M	230	60	1.5	Yes	2345120600GS	Yes	300	22
		460	60	1.5	Yes	2345220600GS	-	300	22
1	Water Well	200	60	1.4	-	2345031903GS	-	650	24
		200	60	1.4	Yes	2345039203GS	-	650	25
		220	50	1.0	-	2345534116GS	-	650	24
		230	60	1.4	-	2345131903GS	-	650	24
		230	60	1.4	Yes	2345139203GS	Yes	650	25
		380-415	50	1.0	-	2345633116GS	Yes	650	24
		460	60	1.4	-	2345231603GS	-	650	24
		460	60	1.4	Yes	2345239403GS	Yes	650	25
		575	60	1.4	Yes	2345339403GS	-	650	25
	Pollution Recovery	200	60	1.4	-	2345032303GS	-	650	24
		230	60	1.4	-	2345132303GS	-	650	24
		460	60	1.4	-	2345232303GS	-	650	24
	Series 600M	230	60	1.4	Yes	2345130610GS	Yes	650	25
		460	60	1.4	Yes	2345230610GS	-	650	25
	1.5	Water Well	200	60	1.3	-	2345041903GS	-	650
200			60	1.3	Yes	2345049203GS	Yes	650	29
200			60	1.3	-	2345048600	-	1500	33
220			50	1.3	Yes	2345549003GS	-	650	28
230			60	1.3	-	2345141903GS	-	650	28
230			60	1.3	Yes	2345149203GS	Yes	650	29
230			60	1.3	-	2345148600G	-	1500	33
460/380			60/50	1.3/1.0	-	2345241603GS	-	650	28
460/380			60/50	1.3/1.0	Yes	2345249403GS	Yes	650	28
460/380			60/50	1.3/1.0	-	2345248600G	Yes	1500	28
575			60	1.3	-	2345341603GS	-	650	28
575			60	1.3	Yes	2345349403GS	Yes	650	29
575		60	1.3	-	2345348600G	-	1500	33	
Pollution Recovery		200	60	1.3	-	2345042303GS	-	650	28
		230	60	1.3	-	2345142303GS	-	650	28
		460/380	60/50	1.3/1.0	-	2345242303GS	-	650	28
		230	60	1.3	Yes	2345140610GS	Yes	650	25
Series 600M		460/380	60/50	1.3/1.0	Yes	2345240610GS	-	650	25
		200	60	1.3	Yes	2345048502G	-	1500	40
316 SS		230	60	1.3	Yes	2345148502G	-	1500	40
	460/380	60/50	1.3/1.0	Yes	2345248502G	-	1500	40	
	575	60	1.3	Yes	2345348502G	-	1500	40	

4" SUBMERSIBLE MOTORS - ORDERING INFORMATION

THREE-PHASE MODELS

HP	Description	Volts	Hz	S.F.	Motor Lead	Model No.	In Stock	Thrust	Wt. (Lbs)	
2	Water Well	200	60	1.25	-	2343051618GS	-	650	33	
		200	60	1.25	Yes	2343059204GS	Yes	650	34	
		200	60	1.25	-	2343058600G	-	1500	44	
		220	50	1.0	-	2343551916GS	-	650	33	
		230	60	1.25	-	2343151618GS	Yes	650	33	
		230	60	1.25	Yes	2343159204GS	Yes	650	34	
		230	60	1.25	-	2343158600G	-	1500	44	
		460/380	60/50	1.25/1.0	-	2343251618GS	Yes	650	33	
		460/380	60/50	1.25/1.0	Yes	2343259404GS	Yes	650	34	
		460/380	60/50	1.25/1.0	-	2343258600G	-	1500	44	
		460/380	60/50	1.25/1.0	Yes	2343258602G	-	1500	44	
		575	60	1.25	-	2343351618GS	-	650	33	
	575	60	1.25	Yes	2343359404GS	Yes	650	34		
	575	60	1.25	-	2343358600G	-	1500	44		
	Pollution Recovery	200	60	1.25	-	2343052318GS	-	650	33	
		230	60	1.25	-	2343152318GS	-	650	33	
		460/380	60/50	1.25/1.0	-	2343252318GS	-	650	33	
	Series 600M	230	60	1.25	Yes	2343150610GS	Yes	650	29	
		460/380	60/50	1.25/1.0	Yes	2343250610GS	-	650	29	
	316 SS	200	60	1.25	Yes	2343058502G	-	1500	44	
		230	60	1.25	Yes	2343158502G	-	1500	44	
		460/380	60/50	1.25/1.0	Yes	2343258502G	-	1500	44	
	Oil Stripper	575	60	1.25	Yes	2343358502G	-	1500	44	
		230	60	1.25	Yes	2343158702G	-	1500	44	
		460/380	60/50	1.25/1.0	Yes	2343258702G	-	1500	44	
	3	Water Well	200	60	1.15	-	2343062504G	-	900	41
			200	60	1.15	Yes	2343062604G	Yes	900	41
			200	60	1.15	-	2343068600G	-	1500	43
			200	60	1.15	Yes	2343068602G	Yes	1500	44
			220	50	1.0	-	2343562504G	-	900	41
220			50	1.0	-	2343568600G	-	1500	43	
230			60	1.15	-	2343162504G	-	900	41	
230			60	1.15	Yes	2343162604G	Yes	900	41	
230			60	1.15	-	2343168600G	-	1500	43	
230			60	1.15	Yes	2343168602G	Yes	1500	44	
380			60	1.15	-	2343462504G	-	900	41	
380			60	1.15	Yes	2343462604G	Yes	900	41	
380			60	1.15	-	2343468600G	-	1500	43	
380			60	1.15	Yes	2343468602G	Yes	1500	44	
460/380			60/50	1.15/1.0	-	2343262504G	-	900	41	
460/380			60/50	1.15/1.0	Yes	2343262604G	Yes	900	41	
460/380			60/50	1.15/1.0	-	2343268600G	-	1500	43	
460/380			60/50	1.15/1.0	Yes	2343268602G	Yes	1500	44	
575			60	1.15	-	2343362504G	-	900	41	
575			60	1.15	Yes	2343362604G	Yes	900	41	
575		60	1.15	-	2343368600G	-	1500	43		
575		60	1.15	Yes	2343368602G	Yes	1500	44		
Series 600M		230	60	1.15	Yes	2343160620G	-	900	35	
		230	60	1.15	Yes	2343160630G	Yes	1500	44	
		460/380	60/50	1.15	Yes	2343260620G	-	900	35	
		460/380	60/50	1.15	Yes	2343260630G	-	1500	44	
Sand Fighter®		200	60	1.15	Yes	2343068802G	-	1500	44	
		230	60	1.15	Yes	2343168802G	Yes	1500	44	
		380	60	1.15	Yes	2343468802G	-	1500	44	
		460/380	60/50	1.15/1.0	Yes	2343268802G	Yes	1500	44	
316 SS		575	60	1.15	Yes	2343368802G	-	1500	44	
		200	60	1.15	Yes	2343068502G	-	1500	44	
		230	60	1.15	Yes	2343168502G	-	1500	44	
Oil Stripper		460/380	60/50	1.15/1.0	Yes	2343268502G	-	1500	44	
		230	60	1.15	Yes	2343168702G	-	1500	44	
		460/380	60/50	1.15/1.0	Yes	2343268702G	-	1500	44	



4" SUBMERSIBLE MOTORS - ORDERING INFORMATION

THREE-PHASE MODELS

HP	Description	Volts	Hz	S.F.	Motor Lead	Model No.	In Stock	Thrust	Wt. (Lbs)	
4	Water Well	380	50	1.0	-	2343958600G	-	1500	49	
		380	50	1.0	Yes	2343958602G	-	1500	50	
5	Water Well	200	60	1.15	-	2343078600G	-	1500	55	
		200	60	1.15	Yes	2343078602G	Yes	1500	56	
		220	50	1.0	-	2343578600G	-	1500	55	
		230	60	1.15	-	2343178600G	-	1500	55	
		230	60	1.15	Yes	2343178602G	Yes	1500	56	
		380	60	1.15	-	2343478600G	-	1500	55	
		380	60	1.15	Yes	2343478602G	Yes	1500	56	
		460/380	60/50	1.15/1.0	-	2343278600G	-	1500	55	
		460/380	60/50	1.15/1.0	Yes	2343278602G	Yes	1500	56	
		575	60	1.15	-	2343378600G	-	1500	55	
	575	60	1.15	Yes	2343378602G	Yes	1500	56		
	230	60	1.15	Yes	2343170630G	Yes	1500	56		
	460/380	60/50	1.15	Yes	2343270630G	-	1500	56		
	Sand Fighter®	200	60	1.15	Yes	2343078802G	-	1500	56	
		230	60	1.15	Yes	2343178802G	Yes	1500	56	
		380	60	1.15	Yes	2343478802G	-	1500	56	
		460/380	60/50	1.15/1.0	Yes	2343278802G	Yes	1500	56	
		575	60	1.15	Yes	2343378802G	-	1500	56	
		316 SS	200	60	1.15	Yes	2343078502G	-	1500	56
			230	60	1.15	Yes	2343178502G	-	1500	56
460/380			60/50	1.15/1.0	Yes	2343278502G	-	1500	56	
575		60	1.15	Yes	2343378502G	-	1500	56		
Oil Stripper		230	60	1.15	Yes	2343178702G	-	1500	58	
	460/380	60/50	1.15/1.0	Yes	2343278702G	-	1500	58		
	ES	460/380	60/50	1.15/1.0	-	2343278801G	-	1500	56	
CBM+	460/380	60/50	1.15/1.0	-	2343273529G	-	1500	59		
5.5	Water Well	460/380	60/50	1.0	-	2343978600G	-	1500	60	
		460/380	60/50	1.0	Yes	2343978602G	-	1500	61	
7.5	Water Well	200	60	1.15	-	2343088600G	-	1500	70	
		200	60	1.15	Yes	2343088602G	Yes	1500	71	
		220	50	1	-	2343588600G	-	1500	70	
		230	60	1.15	-	2343188600G	-	1500	70	
		230	60	1.15	Yes	2343188602G	Yes	1500	71	
		380	60	1.15	-	2343488600G	-	1500	70	
		380	60	1.15	Yes	2343488602G	Yes	1500	71	
		460/380	60/50	1.15/1.0	-	2343288600G	Yes	1500	70	
		460/380	60/50	1.15/1.0	Yes	2343288602G	Yes	1500	71	
		575	60	1.15	-	2343388600G	-	1500	70	
	575	60	1.15	Yes	2343388602G	Yes	1500	71		
	Sand Fighter®	200	60	1.15	Yes	2343088802G	-	1500	71	
		230	60	1.15	Yes	2343188802G	Yes	1500	71	
		380	60	1.15	Yes	2343488802G	-	1500	71	
		460/380	60/50	1.15/1.0	Yes	2343288802G	Yes	1500	71	
		575	60	1.15	Yes	2343388802G	-	1500	71	
		316 SS	200	60	1.15	Yes	2343088502G	-	1500	71
			230	60	1.15	Yes	2343188502G	-	1500	71
			460/380	60/50	1.15/1.0	Yes	2343288502G	-	1500	71
		575	60	1.15	Yes	2343388502G	-	1500	71	
Oil Stripper		230	60	1.15	Yes	2343188702G	-	1500	71	
	460/380	60/50	1.15/1.0	Yes	2343288702G	-	1500	71		
	ES	460/380	60/50	1.15/1.0	-	2343288801G	-	1500	71	
CBM+	460/380	60/50	1.15/1.0	-	2343283529G	-	1500	74		
10	Water Well	380	60	1.15	Yes	2345498602G	-	1500	77	
		460/380	60/50	1.15/1.0	Yes	2345958602G	Yes	1500	77	
		575	60	1.15	Yes	2345988602G	-	1500	77	
	Sand Fighter®	380	60	1.15	Yes	2345498802G	-	1500	77	
		460/380	60/50	1.15/1.0	Yes	2345958802G	Yes	1500	77	
		575	60	1.15	Yes	2345988802G	-	1500	77	
	316 SS	460/380	60/50	1.15	Yes	2345958502G	-	1500	77	
	Oil Stripper	460/380	60/50	1.15	Yes	2345958702G	-	1500	77	
	ES	460/380	60/50	1.15/1.0	-	2345958801G	-	1500	77	
	CBM+	460/380	60/50	1.15/1.0	-	2345953529G	-	1500	80	
15	CBM+	460/380	60/50	1.15/1.0	-	2346268996	-	3500	115	

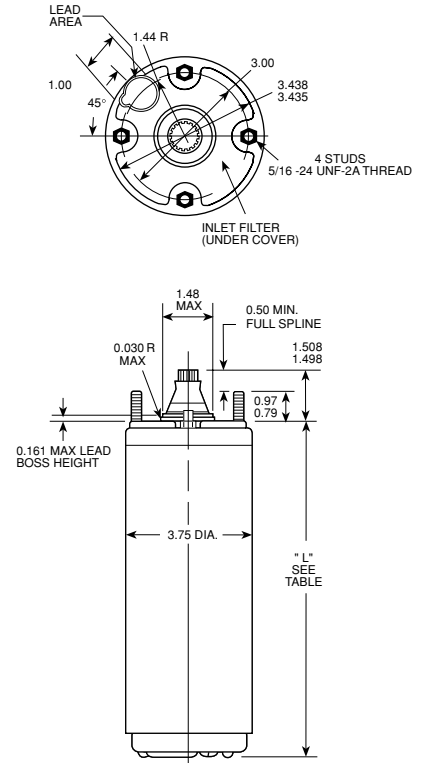
8 NOTE: Pack Designation (--S) = Single Pack, available in any quantity; All 3 hp motors are single-packed; Contact factory for lead time for non-stocked items; Pallet packs available but not shown; Contact customer service for availability

4" SUBMERSIBLE MOTORS - DIMENSIONS AND WEIGHTS

SUPER STAINLESS

HP / kW	Phase	L (in)	Motor Carton Size (in)			Shipping Wt.	
			W	H	L	lbs	kg
0.333 / 0.25	1	8.76	4.25	4.38	16.00	16	7.3
	1	8.76	4.25	4.38	16.00	17	7.7
0.5 / 0.37	1	9.51	4.25	4.38	16.00	18	8.2
	3	9.51	4.25	4.38	16.00	19	8.6
0.75 / 0.55	1	10.64	4.25	4.38	19.00	21	9.5
	3	10.64	4.25	4.38	19.00	21	9.5
1 / 0.75	1	11.73	4.25	4.38	19.00	24	10.9
	3	11.73	4.25	4.38	19.00	24	10.9
1.5 / 1.1	1	15.1	4.25	4.38	21.25	31	14.1
	3	11.73	4.25	4.38	19.00	24	10.9
2 / 1.5	1	15.1	4.25	4.38	21.25	33	15
	3	13.6	4.25	4.38	21.25	28	12.7
3 / 2.2	1	19.04	4.25	4.38	21.25	41	18.6
	3	16.04	4.25	4.38	21.25	35	15.9

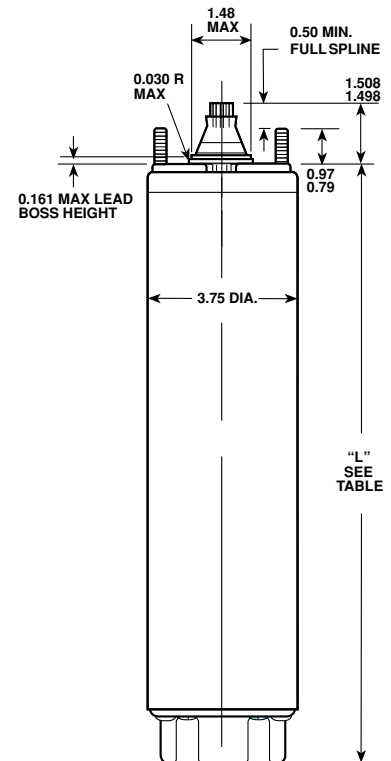
NOTE: All dimensions listed above are for models supplied with lead; consult factory for other models



HIGH THRUST

HP / kW	Model	Phase	L (in)	Motor Carton Size (in)			Shipping Wt.	
				W	H	L	lbs	kg
1.5 / 1.1	Standard, Sand Fighter®	1	19.1	6.50	6.25	21.50	35	15.9
	Standard, Sand Fighter®	3	17.98	6.50	6.25	21.50	37	16.8
2 / 1.5	Standard, Sand Fighter®	1	20.6	6.50	6.25	24.25	43	19.5
	Oil Stripper	1	22.85	6.50	6.25	25.75	46	20.9
3 / 2.2	Standard, Sand Fighter®	3	19.1	6.50	6.25	24.25	44	20
	Oil Stripper	3	21.35	6.50	6.25	25.75	42	19.1
5 / 3.7	Standard, Sand Fighter®	1	23.18	6.50	6.25	27.25	56	25.4
	Oil Stripper	1	23.18	6.50	6.25	33.25	56	25.4
7.5 / 5.5	Standard, Sand Fighter®	3	20.18	6.50	6.25	24.25	44	20
	Oil Stripper	3	20.18	6.50	6.25	25.75	44	20
10 / 7.5	Standard, Sand Fighter®	1	29.18	6.50	6.25	33.25	71	32.2
	Oil Stripper	1	29.18	6.50	6.25	34.75	71	32.2
15 / 11.2	Standard, Sand Fighter®	3	23.18	6.50	6.25	27.25	56	25.4
	Oil Stripper	3	25.66	6.50	6.25	28.75	63	28.6
5.5 / 4	Standard, Sand Fighter®	3	25.66	6.50	6.25	33.25	63	28.6
7.5 / 5.5	Standard, Sand Fighter®	3	29.18	6.50	6.25	33.25	71	32.2
	Oil Stripper	3	29.18	6.50	6.25	34.75	71	32.2
10 / 7.5	Standard, Sand Fighter®	3	32.18	6.50	6.25	36.25	77	34.9
15 / 11.2	CBM+	3	47.5	6.50	6.25	50.00	115	52.3

NOTE: Consult factory for 316 SS weights and dimensions



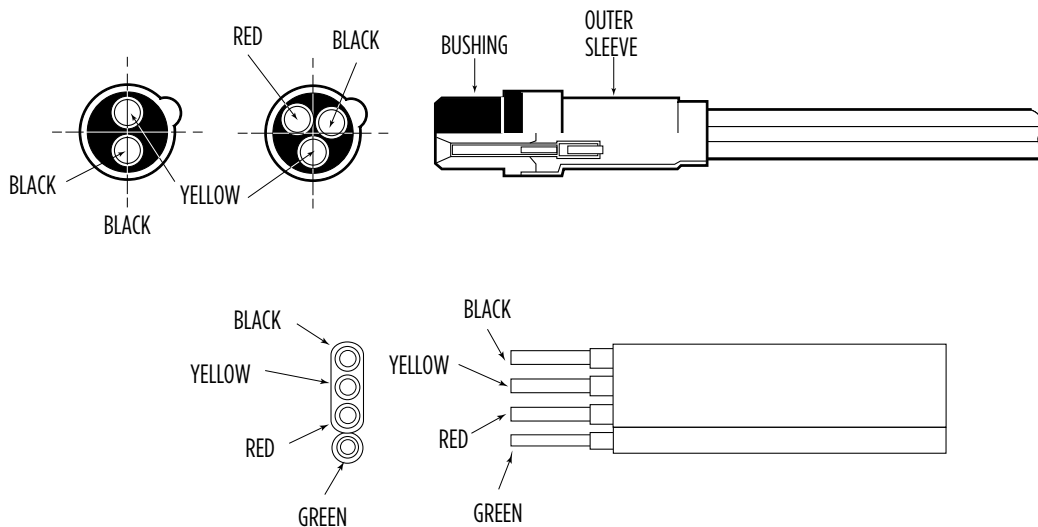


4" SUBMERSIBLE MOTORS - LEADS AND ACCESSORIES

MOTOR LEADS AND CABLES

HP	Wire	Description	Wire AWG	Model No.	Wt. (lbs)
All	2	Lead, Individual XLPE, 303 SS, 48 in, Ground	14	152552905	1
		Lead, Individual XLPE, 303 SS, 100 in, Ground		152552906	1
		Lead, Individual Nitrile, 316 SS, 48 in, No Ground		152328905*	1
		Lead, Individual Nitrile, 316 SS, 100 in, No Ground		152328906*	1
	3 (Jam-Nut Style)	Lead, Individual XLPE, 303 SS, 48 in, Ground		152553905	<1
		Lead, Individual XLPE, 303 SS, 100 in, Ground		152553906	<1
		Lead, Individual Nitrile, 316 SS, 48 in, No Ground *		152255901	<1
		Lead, Individual Nitrile, 316 SS, 100 in, No Ground *		152255902	<1
		Lead, Individual Nitrile, 316 SS, 160 in, No Ground *		152255904	<1
		Lead, Individual Nitrile, 316 SS, 30 ft, No Ground *		152255906	5
		Lead, Individual Nitrile, 316 SS, 50 ft, No Ground *		152255907	5
		Lead, Individual Nitrile, 316 SS, 100 ft, No Ground *		152255910	9
		Lead, Individual Nitrile, 316 SS, 150 ft, No Ground *		152255912	14
		3 (Clamp Style)		Lead, Individual XLPE, 316 SS, 48 in, Ground	152735911
	Lead, Individual XLPE, 316 SS, 100 in, Ground			152735941	1
	Lead, Individual Nitrile, 316 SS, 100 in, No Ground *			152744902	<1
	Lead, Individual Nitrile, 316 SS, 160 in, No Ground *			152744904	<1
	Lead, Individual Nitrile, 316 SS, 50 ft, No Ground *			152744907	5
	Lead, Individual Nitrile, 316 SS, 100 ft, No Ground *			152744910	9

NOTE: Refer to Franklin Application Installation Maintenance (AIM) Manual for accurate cable sizing; MOTOR WARRANTY IS VOID if Franklin-supplied leads are not used
 * Nitrile not for use in potable water



MOTOR ACCESSORIES

HP	Description	Model No.	Wt. (lbs)
All	Coupling, 4-inch, #416 SS, 3/16 x 1/8 x 1 3/8 Key	151551911	1

6" SUBMERSIBLE MOTORS

These motors are built for dependable operation in 6" diameter or larger water wells.

BASIC FEATURES

- Double flanged NEMA mounting design
- Stainless steel splined shaft
- StatorShield™, Franklin's six-feature encapsulation system
- High-capacity, Kingsbury-type, water-lubricated thrust bearing
- Factory-filled with Franklin's non-toxic water soluble fill solution
- Field replaceable lead using Franklin's exclusive Water-Bloc™ technology
- Full 3,450 rpm 60 Hz design point
- External sand slinger on shaft
- Mechanical face seal at shaft exit
- Copper bar rotor
- All models variable frequency drive (VFD) compatible
- Single-phase models must be used with a Franklin Electric control box

SPECIAL FEATURES

- **316 Stainless Steel:** Special construction option for acid, low pH, and seawater applications. All 316 SS motors include a SubTrol™ heat sensor.
- **Sand Fighter®** models include SubTrol™ heat sensor on 40, 50, and 60 hp models.
- Consult factory for other voltage, hertz, and horsepower ratings not listed in this catalog
- Specifications are subject to change without notice; contact Franklin Electric if current materials are required for bid specifications
- Overmolded motor leads on all 10 GA leads





6" SUBMERSIBLE MOTORS - SPECIFICATIONS AND MATERIALS

MOTOR SPECIFICATIONS

Hz	Model	Phase	HP Range	kW Range	Poles	RPM	Max. Ambient Temp.	Duty Rating
50	Sand Fighter®	3	5 - 40	3.7 - 45	2	2875	86° F / 30° C	Continuous*
50		3	50 - 60	37 - 45			122° F / 50° C	
50	High-Temp 90° C**	3	5 - 40	3.7 - 30			195° F / 90° C	
60	Sand Fighter®	3	5 - 40	3.7 - 30		3450	86° F / 30° C	
60		3	50 - 60	37 - 45			122° F / 50° C	
60		High-Temp 90° C**	3	5 - 40			3.7 - 30	

*At 0.5 ft/sec flow past motor, motors are rated for continuous duty up to 86 °F (30 °C) water temperature.

**At 0.5 ft/sec flow past motor, motors are rated for continuous duty up to 195 °F (90 °C) water temperature and up to 86 °F (30 °C) water temperature with NO FLOW in lakes or in wells 12 inches or larger in diameter.

CONSTRUCTION MATERIALS

Component	Construction Type			
	Sand Fighter®	Corrosion Resistant (316 SS)	Hi-Temp 90 °C (300 SS Shell)	Hi-Temp 90 °C (316 SS)
UL Insulation Class Rating	Class F	Class F	Class F	Class F
Motor Ambient Temp. Rating	86 °F / 30 °C	86 °F / 30 °C	194 °F / 90 °C (5-40 hp)	194 °F / 90 °C (5-40 hp)
Stator Resin Type	Standard (5-40 hp) / Hi-Temp (50-60 hp)	Standard (5-40 hp) / Hi-Temp (50-60 hp)	FE Hi-Temp	FE Hi-Temp
Motor Fill Solution (Water Soluble/Non-Toxic)	FES91	FES91	FES92	FES92
Top End Bell & Thrust Housing	Epoxy-coated gray iron	316 SS	Epoxy-coated gray iron	316 SS
On Winding SubTrol™ heat sensor	No (5-30 hp) / Yes (40-60 hp)	Yes	Not Available	Not Available
Stator Shell	300 series SS	316 SS	300 series SS	316 SS
Stator Ends	Carbon steel		Carbon steel	316 SS
Shaft Extension	300 Series SS (5-30 hp) / 17-4 SS (40-60 hp)	17-4 SS	300 SS (5-20 hp), 17-4 SS (25-40 hp)	17-4 SS
Bushing	Bronze	316 SS	Bronze	316 SS
Bushing Retainer	300 series SS		300 series SS	316 SS
Shaft Mechanical Seal	Sand Fighter™ Seal System	Sand Fighter™ Seal System	Sand Fighter™ Seal System	Sand Fighter™ Seal System
Mechanical Seal / Rubber Components	Nitrile (5-40 hp) / FKM (50-60 hp)	Nitrile (5-40 hp) / FKM (50-60 hp)	FKM	FKM
Diaphragm Material	Nitrile (5-40 hp) / FKM (50-60 hp)	Nitrile (5-40 hp) / FKM (50-60 hp)	FKM	FKM
Diaphragm Plate	300 series SS	316 SS	300 series SS	316 SS
Diaphragm Spring	300 series SS	25-6 MO SS	300 series SS	25-6 MO SS
Shaft Slinger	Nitrile (5-40 hp) / FKM (50-60 hp)	Nitrile	FKM	FKM
Lead Wire	Jacketed (10 AWG) Individual (8 AWG)	Jacketed (10 AWG) Individual (8 AWG)	Individual Hi-Temp XLPO	Individual Hi-Temp XLPO
Lead Construction	Overmolded (10 AWG) Potted (8 AWG)	Overmolded (10 AWG) Potted (8 AWG)	Potted	Potted
Lead Jam Nut	Brass	316 SS	Brass	316 SS
Thrust Bearing Rating (86 °F / 30 °C)	3500 lbs (5-30 hp) 6000 lbs (40-60 hp)	3500 lbs (5-30 hp) 6000 lbs (40-60 hp)	Standard 5-20 hp • 4,500 lbs Standard 25-40 hp • 7,500 lbs	Standard 5-20 hp • 4,500 lbs Standard 25-40 hp • 7,500 lbs
Method Of Connecting System Ground To Motor	Ground wire in power lead connector	Ground wire in power lead connector	Ground wire in power lead connector	Ground wire in power lead connector

NOTE: Specifications subject to change without notice; contact Franklin Electric if current material types are required for bid specifications

6" SUBMERSIBLE MOTORS - ORDERING INFORMATION

SINGLE-PHASE MODELS

HP	Description	Volts	Hz	S.F.	Motor Lead	Model No.	In Stock	Thrust Rating	Wt. (lbs)
5	Sand Fighter®	230	60	1.15	DOL (3)	2261108020	Yes	3500	110
	316 SS	230	60	1.15	DOL (3)	2261103920	-	3500	110
7.5	Sand Fighter®	230	60	1.15	DOL (3)	2261118020	Yes	3500	123
	316 SS	230	60	1.15	DOL (3)	2261113920	-	3500	123
10	Sand Fighter®	230	60	1.15	DOL (3)	2261128020	Yes	3500	141
	316 SS	230	60	1.15	DOL (3)	2261123920	-	3500	141
15	Sand Fighter®	230	60	1.15	DOL (3)	2261138020	Yes	3500	154
	316 SS	230	60	1.15	DOL (3)	2261133920	-	3500	154

THREE-PHASE MODELS

HP	Description	Volts	Hz	S.F.	Motor Lead	Model No.	In Stock	Thrust Rating	Wt. (lbs)
5	Sand Fighter®	200	60	1.15	DOL (3)	2366508120	Yes	3500	101
		220	50	1.0	DOL (3)	2366808120	-	3500	101
		230	60	1.15	DOL (3)	2366008120	Yes	3500	101
		380	60	1.15	DOL (3)	2366608120	-	3500	101
		460/380	60/50	1.15/1.0	DOL (3)	2366108120	Yes	3500	101
		460/380	60/50	1.15/1.0	Y-Δ (6)	2367108120	-	3500	106
	316 SS w/SubTrol™	575	60	1.15	DOL (3)	2366208120	Yes	3500	101
		200	60	1.15	DOL (3)	2366504020	-	3500	101
		230	60	1.15	DOL (3)	2366004020	Yes	3500	101
		380	60	1.15	DOL (3)	2366604020	-	3500	101
		460/380	60/50	1.15/1.0	DOL (3)	2366104020	Yes	3500	101
		460/380	60/50	1.15/1.0	Y-Δ (6)	2367104020	-	3500	106
	Hi-Temp 90 °C	575	60	1.15	DOL (3)	2366204020	-	3500	101
		200	60	1.15	DOL (3)	2766500003	-	4500	116
		230	60	1.15	DOL (3)	2766000003	-	4500	116
		380	60	1.15	DOL (3)	2766600003	-	4500	116
		460/380	60/50	1.15/1.0	DOL (3)	2766100003	-	4500	116
		460/380	60/50	1.15/1.0	Y-Δ (6)	2767100003	-	4500	121
	Hi-Temp 90 °C - 316 SS	575	60	1.15	DOL (3)	2766200003	-	4500	116
		200	60	1.15	DOL (3)	2766503003	-	4500	116
		230	60	1.15	DOL (3)	2766003003	-	4500	116
		380	60	1.15	DOL (3)	2766603003	-	4500	116
		460/380	60/50	1.15/1.0	DOL (3)	2766103003	-	4500	116
		575	60	1.15	DOL (3)	2766203003	-	4500	116



6" SUBMERSIBLE MOTORS - ORDERING INFORMATION

THREE-PHASE MODELS

HP	Description	Volts	Hz	S.F.	Motor Lead	Model No.	In Stock	Thrust Rating	Wt. (lbs)	
7.5	Sand Fighter®	200	60	1.15	DOL (3)	2366518120	Yes	3500	108	
		220	50	1.0	DOL (3)	2366818120	-	3500	108	
		230	60	1.15	DOL (3)	2366018120	Yes	3500	108	
		380	60	1.15	DOL (3)	2366618120	-	3500	108	
		415	50	1.0	DOL (3)	2366918120	-	3500	108	
		460/380	60/50	1.15/1.0	DOL (3)	2366118120	Yes	3500	108	
		460/380	60/50	1.15/1.0	Y-Δ (6)	2367118120	-	3500	113	
		575	60	1.15	DOL (3)	2366218120	Yes	3500	108	
	316 SS w/SubTrol™	200	60	1.15	DOL (3)	2366514020	-	3500	108	
		230	60	1.15	DOL (3)	2366014020	Yes	3500	108	
		380	60	1.15	DOL (3)	2366614020	-	3500	108	
		460/380	60/50	1.15/1.0	DOL (3)	2366114020	Yes	3500	108	
		460/380	60/50	1.15/1.0	Y-Δ (6)	2367114020	-	3500	113	
		575	60	1.15	DOL (3)	2366214020	-	3500	108	
	Hi-Temp 90 °C	200	60	1.15	DOL (3)	2766510003	-	4500	129	
		230	60	1.15	DOL (3)	2766010003	-	4500	129	
		380	60	1.15	DOL (3)	2766610003	-	4500	129	
		460/380	60/50	1.15/1.0	DOL (3)	2766110003	-	4500	129	
		460/380	60/50	1.15/1.0	Y-Δ (6)	2767110003	-	4500	134	
		575	60	1.15	DOL (3)	2766210003	-	4500	129	
	Hi-Temp 90 °C - 316 SS	200	60	1.15	DOL (3)	2766513003	-	4500	129	
		230	60	1.15	DOL (3)	2766013003	-	4500	129	
		380	60	1.15	DOL (3)	2766613003	-	4500	129	
		460/380	60/50	1.15/1.0	DOL (3)	2766113003	-	4500	129	
		575	60	1.15	DOL (3)	2766213003	-	4500	129	
		200	60	1.15	DOL (3)	2366528120	Yes	3500	116	
	10	Sand Fighter®	220	50	1.0	DOL (3)	2366828120	-	3500	116
			230	60	1.15	DOL (3)	2366028120	Yes	3500	116
380			60	1.15	DOL (3)	2366628120	-	3500	116	
415			50	1.0	DOL (3)	2366928120	-	3500	116	
460/380			60/50	1.15/1.0	DOL (3)	2366128120	Yes	3500	116	
460/380			60/50	1.15/1.0	Y-Δ (6)	2367128120	-	3500	121	
575			60	1.15	DOL (3)	2366228120	Yes	3500	116	
200			60	1.15	DOL (3)	2366524020	-	3500	116	
316 SS w/SubTrol™		230	60	1.15	DOL (3)	2366024020	Yes	3500	116	
		380	60	1.15	DOL (3)	2366624020	-	3500	116	
		460/380	60/50	1.15/1.0	DOL (3)	2366124020	Yes	3500	116	
		460/380	60/50	1.15/1.0	Y-Δ (6)	2367124020	-	3500	121	
		575	60	1.15	DOL (3)	2366224020	-	3500	116	
		200	60	1.15	DOL (3)	2766520003	-	4500	145	
Hi-Temp 90 °C		230	60	1.15	DOL (3)	2766020003	-	4500	145	
		380	60	1.15	DOL (3)	2766620003	-	4500	145	
		460/380	60/50	1.15/1.0	DOL (3)	2766120003	Yes	4500	145	
		460/380	60/50	1.15/1.0	Y-Δ (6)	2767120003	-	4500	150	
		575	60	1.15	DOL (3)	2766220003	-	4500	145	
		200	60	1.15	DOL (3)	2766523003	-	4500	145	
Hi-Temp 90 °C - 316 SS		230	60	1.15	DOL (3)	2766023003	-	4500	145	
		380	60	1.15	DOL (3)	2766623003	-	4500	145	
		460/380	60/50	1.15/1.0	DOL (3)	2766123003	-	4500	145	
		575	60	1.15	DOL (3)	2766223003	-	4500	145	

6" SUBMERSIBLE MOTORS - ORDERING INFORMATION

THREE-PHASE MODELS

HP	Description	Volts	Hz	S.F.	Motor Lead	Model No.	In Stock	Thrust Rating	Wt. (lbs)
15	Sand Fighter®	200	60	1.15	DOL (3)	2366538120	Yes	3500	129
		220	50	1.0	DOL (3)	2366838120	-	3500	129
		230	60	1.15	DOL (3)	2366038120	Yes	3500	129
		380	60	1.15	DOL (3)	2366638120	-	3500	129
		415	50	1.0	DOL (3)	2366938120	-	3500	129
		460/380	60/50	1.15/1.0	DOL (3)	2366138120	Yes	3500	129
		460/380	60/50	1.15/1.0	Y-Δ (6)	2367138120	-	3500	134
		575	60	1.15	DOL (3)	2366238120	Yes	3500	129
	316 SS w/SubTrol™	200	60	1.15	DOL (3)	2366534020	-	3500	129
		230	60	1.15	DOL (3)	2366034020	Yes	3500	129
		380	60	1.15	DOL (3)	2366634020	-	3500	129
		460/380	60/50	1.15/1.0	DOL (3)	2366134020	Yes	3500	129
		460/380	60/50	1.15/1.0	Y-Δ (6)	2367134020	-	3500	134
		575	60	1.15	DOL (3)	2366234020	-	3500	129
	Hi-Temp 90 °C	200	60	1.15	DOL (3)	2766530003	-	4500	156
		230	60	1.15	DOL (3)	2766030003	-	4500	156
		380	60	1.15	DOL (3)	2766630003	-	4500	156
		460/380	60/50	1.15/1.0	DOL (3)	2766130003	Yes	4500	156
		460/380	60/50	1.15/1.0	Y-Δ (6)	2767130003	-	4500	161
		575	60	1.15	DOL (3)	2766230003	-	4500	156
	Hi-Temp 90 °C - 316 SS	200	60	1.15	DOL (3)	2766533003	-	4500	156
		230	60	1.15	DOL (3)	2766033003	-	4500	156
		380	60	1.15	DOL (3)	2766633003	-	4500	156
		460/380	60/50	1.15/1.0	DOL (3)	2766133003	-	4500	156
460/380		60/50	1.15/1.0	Y-Δ (6)	2767133003	-	4500	156	
575		60	1.15	DOL (3)	2766233003	-	4500	156	
20	Sand Fighter®	200	60	1.15	DOL (3)	2366548120	Yes	3500	145
		220	50	1.0	DOL (3)	2366848120	-	3500	145
		230	60	1.15	DOL (3)	2366048120	Yes	3500	145
		380	60	1.15	DOL (3)	2366648120	-	3500	145
		415	50	1.0	DOL (3)	2366948120	-	3500	145
		460/380	60/50	1.15/1.0	DOL (3)	2366148120	Yes	3500	145
		460/380	60/50	1.15/1.0	Y-Δ (6)	2367148120	-	3500	150
		575	60	1.15	DOL (3)	2366248120	Yes	3500	145
	316 SS w/SubTrol™	200	60	1.15	DOL (3)	2366544020	-	3500	145
		230	60	1.15	DOL (3)	2366044020	Yes	3500	145
		380	60	1.15	DOL (3)	2366644020	-	3500	145
		460/380	60/50	1.15/1.0	DOL (3)	2366144020	Yes	3500	145
		460/380	60/50	1.15/1.0	Y-Δ (6)	2367144020	-	3500	150
		575	60	1.15	DOL (3)	2366244020	-	3500	145
	Hi-Temp 90 °C	200	60	1.15	DOL (3)	2766540003	-	4500	174
		230	60	1.15	DOL (3)	2766040003	-	4500	174
		380	60	1.15	DOL (3)	2766640003	-	4500	174
		460/380	60/50	1.15/1.0	DOL (3)	2766140003	Yes	4500	174
		460/380	60/50	1.15/1.0	Y-Δ (6)	2767140003	-	4500	179
		575	60	1.15	DOL (3)	2766240003	-	4500	174
	Hi-Temp 90 °C - 316 SS	200	60	1.15	DOL (3)	2766543003	-	4500	174
		230	60	1.15	DOL (3)	2766043003	-	4500	174
		380	60	1.15	DOL (3)	2766643003	-	4500	174
		460/380	60/50	1.15/1.0	DOL (3)	2766143003	-	4500	174
460/380		60/50	1.15/1.0	Y-Δ (6)	2767143003	-	4500	174	
575		60	1.15	DOL (3)	2766243003	-	4500	174	



6" SUBMERSIBLE MOTORS - ORDERING INFORMATION

THREE-PHASE MODELS

HP	Description	Volts	Hz	S.F.	Motor Lead	Model No.	In Stock	Thrust Rating	Wt. (lbs)	
25	Sand Fighter®	200	60	1.15	DOL (3)	2366558120	Yes	3500	156	
		220	50	1.0	DOL (3)	2366858120	-	3500	156	
		230	60	1.15	DOL (3)	2366058120	Yes	3500	156	
		380	60	1.15	DOL (3)	2366658120	-	3500	156	
		415	50	1.0	DOL (3)	2366958120	-	3500	156	
		460/380	60/50	1.15/1.0	DOL (3)	2366158120	Yes	3500	156	
		460/380	60/50	1.15/1.0	Y-Δ (6)	2367158120	-	3500	161	
		575	60	1.15	DOL (3)	2366258120	Yes	3500	156	
	316 SS w/SubTrol™	200	60	1.15	DOL (3)	2366554020	-	3500	156	
		230	60	1.15	DOL (3)	2366054020	-	3500	156	
		380	60	1.15	DOL (3)	2366654020	-	3500	156	
		460/380	60/50	1.15/1.0	DOL (3)	2366154020	Yes	3500	156	
		460/380	60/50	1.15/1.0	Y-Δ (6)	2367154020	-	3500	161	
		575	60	1.15	DOL (3)	2366254020	-	3500	156	
	Hi-Temp 90 °C	200	60	1.15	DOL (3)	2766550103	-	7500	202	
		230	60	1.15	DOL (3)	2766050103	-	7500	202	
		380	60	1.15	DOL (3)	2766650103	-	7500	202	
		460/380	60/50	1.15/1.0	DOL (3)	2766150103	Yes	7500	202	
		460/380	60/50	1.15/1.0	Y-Δ (6)	2767150103	-	7500	207	
		575	60	1.15	DOL (3)	2766250103	-	7500	202	
	Hi-Temp 90 °C - 316 SS	200	60	1.15	DOL (3)	2766553103	-	7500	202	
		230	60	1.15	DOL (3)	2766053103	-	7500	202	
		380	60	1.15	DOL (3)	2766653103	-	7500	202	
		460/380	60/50	1.15/1.0	DOL (3)	2766153103	-	7500	202	
		575	60	1.15	DOL (3)	2766253103	-	7500	202	
	30	Sand Fighter®	200	60	1.15	DOL (3)	2366568120	Yes	3500	174
			220	50	1.0	DOL (3)	2366868120	-	3500	174
			230	60	1.15	DOL (3)	2366068120	Yes	3500	174
380			60	1.15	DOL (3)	2366668120	-	3500	174	
415			50	1.0	DOL (3)	2366968120	-	3500	174	
460/380			60/50	1.15/1.0	DOL (3)	2366168120	Yes	3500	174	
460/380			60/50	1.15/1.0	Y-Δ (6)	2367168120	-	3500	179	
575			60	1.15	DOL (3)	2366268120	Yes	3500	174	
316 SS w/SubTrol™		200	60	1.15	DOL (3)	2366564020	-	3500	174	
		230	60	1.15	DOL (3)	2366064020	-	3500	174	
		380	60	1.15	DOL (3)	2366664020	-	3500	174	
		460/380	60/50	1.15/1.0	DOL (3)	2366164020	Yes	3500	174	
		460/380	60/50	1.15/1.0	Y-Δ (6)	2367164020	-	3500	179	
		575	60	1.15	DOL (3)	2366264020	-	3500	174	
Hi-Temp 90 °C		200	60	1.15	DOL (3)	2766560103	-	7500	300	
		230	60	1.15	DOL (3)	2766060103	-	7500	300	
		380	60	1.15	DOL (3)	2766660103	-	7500	300	
		460/380	60/50	1.15/1.0	DOL (3)	2766160103	Yes	7500	300	
		460/380	60/50	1.15/1.0	Y-Δ (6)	2767160103	-	7500	305	
		575	60	1.15	DOL (3)	2766260103	-	7500	300	
Hi-Temp 90 °C - 316 SS		200	60	1.15	DOL (3)	2766563103	-	7500	300	
		230	60	1.15	DOL (3)	2766063103	-	7500	300	
		380	60	1.15	DOL (3)	2766663103	-	7500	300	
		460/380	60/50	1.15/1.0	DOL (3)	2766163103	-	7500	300	
		575	60	1.15	DOL (3)	2766263103	-	7500	300	

6" SUBMERSIBLE MOTORS - ORDERING INFORMATION

THREE-PHASE MODELS

HP	Description	Volts	Hz	S.F.	Motor Lead	Model No.	In Stock	Thrust Rating	Wt. (lbs)
40	Sand Fighter® w/SubTrol™	380	60	1.15	DOL (3)	2366678125	Yes	6000	202
		415	50	1.0	DOL (3)	2366978125	-	6000	202
		460/380	60/50	1.15/1.0	DOL (3)	2366178125	Yes	6000	202
		460/380	60/50	1.15/1.0	Y-Δ (6)	2367178125	Yes	6000	207
		575	60	1.15	DOL (3)	2366278125	Yes	6000	202
	316 SS w/SubTrol™	380	60	1.15	DOL (3)	2366674025	-	6000	202
		460/380	60/50	1.15/1.0	DOL (3)	2366174025	Yes	6000	202
		460/380	60/50	1.15/1.0	Y-Δ (6)	2367174025	-	6000	207
		575	60	1.15	DOL (3)	2366274025	-	6000	202
	Hi-Temp 90 °C	380	60	1.15	DOL (3)	2766670103	-	10000	330
		460/380	60/50	1.15/1.0	DOL (3)	2766170103	Yes	10000	330
		460/380	60/50	1.15/1.0	Y-Δ (6)	2767170103	-	10000	335
		575	60	1.15	DOL (3)	2766270103	-	10000	330
	Hi-Temp 90 °C - 316 SS	380	60	1.15	DOL (3)	2766673103	-	10000	330
		460/380	60/50	1.15/1.0	DOL (3)	2766173103	-	10000	330
		575	60	1.15	DOL (3)	2766273103	-	10000	330
50	Sand Fighter® w/SubTrol™	380	60	1.15	DOL (3)	2366688125	Yes	6000	300
		460/380	60/50	1.15/1.0	DOL (3)	2366188125	Yes	6000	300
		460/380	60/50	1.15/1.0	Y-Δ (6)	2367188125	Yes	6000	305
		575	60	1.15	DOL (3)	2366288125	Yes	6000	300
	316 SS	380	60	1.15	DOL (3)	2366684025	-	6000	300
		460/380	60/50	1.15/1.0	DOL (3)	2366184025	Yes	6000	300
		460/380	60/50	1.15/1.0	Y-Δ (6)	2367184025	-	6000	305
		575	60	1.15	DOL (3)	2366284025	-	6000	300
60	Sand Fighter® w/SubTrol™	380	60	1.15	DOL (3)	2366698125	Yes	6000	330
		460/380	60/50	1.15/1.0	DOL (3)	2366198125	Yes	6000	330
		460/380	60/50	1.15/1.0	Y-Δ (6)	2367198125	Yes	6000	335
		575	60	1.15	DOL (3)	2366298125	Yes	6000	330
	316 SS	380	60	1.15	DOL (3)	2366694025	-	6000	330
		460/380	60/50	1.15/1.0	DOL (3)	2366194025	Yes	6000	330
		460/380	60/50	1.15/1.0	Y-Δ (6)	2367194025	-	6000	335
		575	60	1.15	DOL (3)	2366294025	-	6000	330

NOTE: Models designated above as Sand Fighter® are water well construction; all 316 SS and Ni-Resist models are equipped with Sand Fighter® sealing system; all models listed above include factory-installed leads (13 ft)

6" SUBMERSIBLE MOTORS - DIMENSIONS AND WEIGHTS

STANDARD

HP / kW	Construction	"L" (in)	Motor Carton Size (in)			Shipping Wt.	
			W	H	L	lbs	kg
5 / 3.7	304 SS 3-Lead	22.9	7.50	10.75	34.50	101	46
	316 SS 3-Lead	22.5	7.50	10.75	34.50	101	46
7.5 / 5.5	304 SS 3-Lead	24.2	7.50	10.75	34.50	108	49
	316 SS 3-Lead	23.8	7.50	10.75	34.50	108	49
10 / 7.5	304 SS 3-Lead	25.4	7.50	10.75	34.50	116	53
	316 SS 3-Lead	25.0	7.50	10.75	34.50	116	53
15 / 11	304 SS 3-Lead	28.0	7.50	10.75	34.50	129	59
	316 SS 3-Lead	27.6	7.50	10.75	34.50	129	59
20 / 15	304 SS 3-Lead	30.6	7.50	10.75	37.00	145	66
	316 SS 3-Lead	30.2	7.50	10.75	37.00	145	66
25 / 18.5	304 SS 3-Lead	33.1	7.50	10.75	42.25	156	71
	316 SS 3-Lead	32.7	7.50	10.75	42.25	156	71
30 / 22	304 SS 3-Lead	35.7	7.50	10.75	42.25	174	79
	316 SS 3-Lead	35.3	7.50	10.75	42.25	174	79
40 / 30	304 SS 3-Lead	40.8	7.50	10.75	47.25	202	92
	316 SS 3-Lead	40.4	7.50	10.75	47.25	202	92
50 / 37	304 SS 3-Lead	55.3	8.75	10.50	71.75	300	136
	316 SS 3-Lead	54.9	8.75	10.50	71.75	300	136
60 - 45	304 SS 3-Lead	61.3	8.75	10.50	71.75	330	150
	316 SS 3-Lead	60.9	8.75	10.50	71.75	330	150

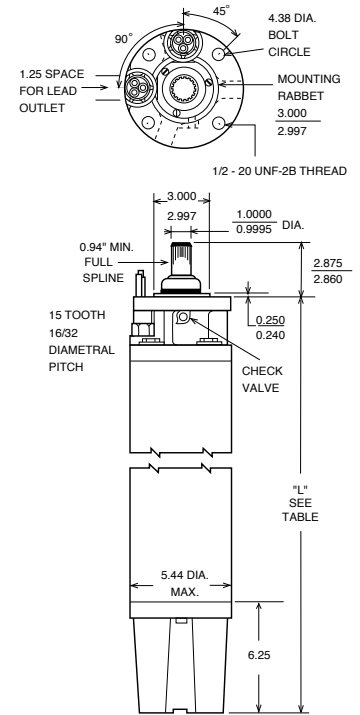
NOTE: 6-Lead Y-Δ models available (add 5 lbs to shipping weight)

HIGH-TEMP 90

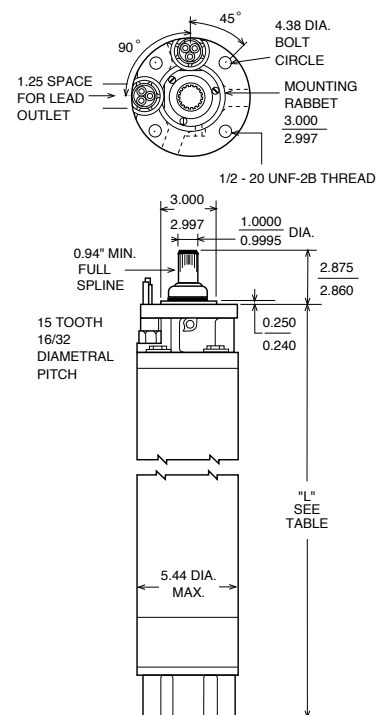
HP / kW	Construction	L (in)	Motor Carton Size (in)			Shipping Wt.	
			W	H	L	lbs	kg
5 / 3.7	304 SS 3-Lead	26.4	9	11	35	116	53
	316 SS 3-Lead	26.4	9	11	35	116	53
7.5 / 5.5	304 SS 3-Lead	28.96	9	11	37	129	59
	316 SS 3-Lead	28.96	9	11	37	129	59
10 / 7.5	304 SS 3-Lead	31.52	9	11	42	145	66
	316 SS 3-Lead	31.52	9	11	42	145	66
15 / 11	304 SS 3-Lead	34.09	9	11	42	156	71
	316 SS 3-Lead	34.09	9	11	42	156	71
20 / 15	304 SS 3-Lead	36.65	9	11	51	174	79
	316 SS 3-Lead	36.65	9	11	51	174	79
25 / 18.5	304 SS 3-Lead	41.77	9	11	51	202	92
	316 SS 3-Lead	41.77	9	11	51	202	92
30 / 22	304 SS 3-Lead	58.14	9	11	72	300	136
	316 SS 3-Lead	58.14	9	11	72	300	136
40 / 30	304 SS 3-Lead	64.14	9	11	72	330	150
	316 SS 3-Lead	64.14	9	11	72	330	150

NOTE: 6-Lead Y-Δ models available (add 5 lbs to shipping weight)

Standard Water Well



316 Stainless



6" SUBMERSIBLE MOTORS - LEADS AND ACCESSORIES

MOTOR LEADS AND CABLES

HP	Model	Description	Wire AWG	Model No.	Wt. (lbs)
All	Standard	Lead, XLPE, Brass, 13 ft, w/Ground	8	305517901	4
		Lead, XLPE, Brass, 26 ft, w/Ground	8	305517902	9
		Lead, XLPE, 316 SS, 13 ft, w/Ground	8	305517951	4
		Lead, XLPE, 316 SS, 26 ft, w/Ground	10	305518952	9
		Lead, XLPE, 316 SS, 26 ft, w/Ground	8	305517952	9
5-30		Lead, XLPE, 316 SS, 50 ft, w/Ground	10	305518955	11
		Lead, XLPE, 316 SS, 50 ft, w/Ground	8	305517955	16
		Lead, XLPE, 316 SS, 75 ft, w/Ground	10	305518957	16
		Lead, XLPE, 316 SS, 75 ft, w/Ground	8	305517957	24
		Lead, XLPE, 316 SS, 100 ft, w/Ground	10	305518960	21
		Lead, XLPE, 316 SS, 100 ft, w/Ground	8	305517960	32
		Lead, XLPE, 316 SS, 125 ft, w/Ground	10	305518962	27
		Lead, XLPE, 316 SS, 125 ft, w/Ground	8	305517962	40
		Lead, XLPE, 316 SS, 150 ft, w/Ground	10	305518965	32
		Lead, XLPE, 316 SS, 150 ft, w/Ground	8	305517965	48
All	Hi-Temp	Lead, XLPO, 316 SS, 13 ft, w/Ground	8	305519951	4
		Lead, XLPO, 316 SS, 26 ft, w/Ground	8	305519952	9
		Lead, XLPO, 316 SS, 50 ft, w/Ground	8	305519955	16
5-30		Lead, XLPO, 316 SS, 75 ft, w/Ground	8	305519957	24
		Lead, XLPO, 316 SS, 100 ft, w/Ground	8	305519960	32
		Lead, XLPO, 316 SS, 125 ft, w/Ground	8	305519962	40
		Lead, XLPO, 316 SS, 150 ft, w/Ground	8	305519965	48

NOTE: Refer to Franklin Application Installation Maintenance (AIM) Manual for accurate cable sizing; MOTOR WARRANTY IS VOID if Franklin-supplied leads are not used

MOTOR ACCESSORIES

HP	Description	Model No.	Wt. (lbs)
All	Coupling, 6-inch, #416 SS, 3/4" Pump Shaft, 3/16 x 1/8 x 1-3/4 Key	151935902	2
	Coupling, 6-inch, #416 SS, 7/8" Pump Shaft, 1/4 x 3/16 x 1-3/4 Key	151935901	2
	Coupling, 6-inch, #416 SS, 1" Pump Shaft, 1/4 x 3/16 x 1-3/4 Key	151935909	2
	Coupling, 6-inch, #316 SS, 3/4" Pump Shaft, 3/16 x 1/8 x 1-3/4 Key	151935922	2
	Coupling, 6-inch, #316 SS, 7/8" Pump Shaft, 1/4 x 3/16 x 1-3/4 Key	151935921	2
	Coupling, 6-inch, #316 SS, 1" Pump Shaft, 1/4 x 3/16 x 1-3/4 Key	151935929	2
	Surge Arrestor - Three-Phase - Up to 650 V to Ground	155440902	2
	PT 100 Sensor - 6-inch (1/2-13 Threads)	305327903	< 2

8" SUBMERSIBLE MOTORS

These motors are built for dependable operation in vertical 8" diameter or larger water wells.

BASIC FEATURES

- Double flanged NEMA mounting design
- Stainless steel splined shaft
- StatorShield™ six feature encapsulation system
- High-capacity, Kingsbury-type, water lubricated thrust bearing
- Factory filled with Franklin's non-toxic water soluble fill solution
- Field replaceable lead using Franklin's exclusive Water-Bloc™ technology
- Full 3,525 rpm 60 Hz design point
- External sand slinger on shaft
- Mechanical face seal at shaft exit
- Copper bar rotor
- All models are variable frequency drive (VFD) compatible
- Franklin's Exclusive on-winding SubTrol™ heat sensor for use with SubMonitor Connect™

SPECIAL FEATURES

- Sand Fighter® and 316 stainless steel models are equipped with Franklin's exclusive Sand Fighter® sealing system for sand or other abrasives

Consult factory for other voltage, hertz and horsepower ratings not listed in this catalog; specifications are subject to change without notice; contact Franklin Electric if current materials are required for bid specifications



8" SUBMERSIBLE MOTORS - SPECIFICATIONS AND MATERIALS

THREE-PHASE MOTOR SPECIFICATIONS

Hz	Model	Phase	HP Range	kW Range	Poles	RPM	Max. Ambient Temp.	Duty Rating
50	Standard	3	40 - 200	30 - 150	2	2900	86 °F / 30 °C	Continuous*
	Hi-Temp 75		40 - 150	30 - 110			167 °F / 75 °C	
60	Standard		40 - 200	30 - 150		3525	86 °F / 30 °C	
	Hi-Temp 75		40 - 150	30 - 110			167 °F / 75 °C	

* At 0.5 ft/sec flow past motor; Motors are also rated for continuous duty up to 86 °F (30 °C) water temperature with NO FLOW in lakes or in wells 12 inches or larger in diameter; Higher temperature ambient motors are available in the 8" Hi-Temp motor line

CONSTRUCTION MATERIALS

Component	Sand Fighter® (300 SS Shell)	Corrosion Resistant (316 SS)	Hi-Temp 75 (300 SS Shell)	Hi-Temp 75 (316 SS)
	UL Insulation Class Rating	-	-	Class F
Motor Ambient Temp. Rating	-	-	167 °F / 75 °C	167 °F / 75 °C
Stator Resin Type	FE Standard	FE Standard	FE Hi-Temp	FE Hi-Temp
Motor Fill Solution (Water Soluble/Non-Toxic)	FES91	FES91	FES92	FES92
Top End Bell & Thrust Housing	Epoxy-coated gray iron	316 SS	Epoxy-coated gray iron	316 SS
SubTrol™ heat sensor (Mounted On Winding)	Yes	Yes	No	No
Stator Shell	300 series SS	316 SS	300 series SS	316 SS
Stator Ends	Carbon Steel	316 SS	Carbon Steel	316 SS
Shaft Extension	17-4 SS	Per standard water well	17-4 SS	17-4 SS
Bushing	Bronze	316 SS	Bronze	316 SS
Bushing Retainer	300 series SS	316 SS	300 series SS	316 SS
Shaft Mechanical Seal	Sand Fighter® Seal System	Sand Fighter® Seal System	Sand Fighter® Seal System	Sand Fighter® Seal System
Mechanical Seal / Rubber Components	Nitrile	Nitrile	FKM	FKM
Diaphragm Material	Nitrile	Nitrile	FKM	FKM
Diaphragm Plate	300 SS	316 SS	316 SS	316 SS
Diaphragm Spring	300 SS	316 SS	316 SS	316 SS
Shaft Slinger	Nitrile	Nitrile	FKM	FKM
Lead Wire	XLPE (#8 AWG) / EPCV (#4 & #2 AWG)	XLPE (#8 AWG) / EPCV (#4 & #2 AWG)	XLPO	XLPO
Lead Potting	Epoxy	Epoxy	Epoxy	Epoxy
Lead Jam Nut or Compression Plate	Brass jam nut (40-125 hp) 316 SS plate (150-200 hp)	316 SS jam nut (40-125 hp) 316 SS plate (150-200 hp)	316 SS plate (150-200 hp)	316 SS plate (150-200 hp)
Thrust Bearing Rating (86 °F / 30 °C)	10,000 lbs	10,000 lbs	12,500 lbs (86 °F / 30 °C) 10,000 lbs (167 °F / 75 °C)	12,500 lbs (86 °F / 30 °C) 10,000 lbs (167 °F / 75 °C)
Method Of Connecting System Ground To Motor	Ground lug on top end bell	Ground lug on top end bell	Ground lug on top end bell	Ground lug on top end bell

NOTE: Specifications subject to change without notice; Contact Franklin Electric if current material types are required for bid specifications



8" SUBMERSIBLE MOTORS - ORDERING INFORMATION

THREE-PHASE MODELS

HP	Description	Volts	Hz	S.F.	Motor Lead	Model No.	In Stock	Thrust Rating	Wt. (lbs)	
40	Sand Fighter®	380	60	1.15	DOL (3)	2396608521	-	10000	320	
		460/380	60/50	1.15/1.0	DOL (3)	2396008521	Yes	10000	320	
		460/380	60/50	1.15/1.0	Y-Δ (6)	2396208621	-	10000	325	
		575	60	1.15	DOL (3)	2396108521	-	10000	320	
	316 SS	380	60	1.15	DOL (3)	2396606221	-	10000	320	
		460/380	60/50	1.15/1.0	DOL (3)	2396006221	-	10000	320	
		460/380	60/50	1.15/1.0	Y-Δ (6)	2396202221	-	10000	325	
		575	60	1.15	DOL (3)	2396106221	-	10000	320	
		Hi-Temp 75 °C	380	60	1.15	DOL (3)	2791609004	-	12500	400
			380	60	1.15	Y-Δ (6)	2791809004	-	12500	405
	460/380		60/50	1.15/1.0	DOL (3)	2791009004	-	12500	400	
	460/380		60/50	1.15/1.0	Y-Δ (6)	2791209004	-	12500	405	
	575		60	1.15	DOL (3)	2791109004	-	12500	400	
	575		60	1.15	Y-Δ (6)	2791909004	-	12500	405	
Hi-Temp 75 °C - 316 SS	460/380	60/50	1.15/1.0	DOL (3)	2791009204	-	12500	400		
50	Sand Fighter®	380	60	1.15	DOL (3)	2396618521	-	10000	345	
		460/380	60/50	1.15/1.0	DOL (3)	2396018521	Yes	10000	345	
		460/380	60/50	1.15/1.0	Y-Δ (6)	2396218621	-	10000	350	
		575	60	1.15	DOL (3)	2396118521	-	10000	345	
	316 SS	380	60	1.15	DOL (3)	2396616221	-	10000	345	
		460/380	60/50	1.15/1.0	DOL (3)	2396016221	Yes	10000	345	
		460/380	60/50	1.15/1.0	Y-Δ (6)	2396212221	-	10000	350	
		575	60	1.15	DOL (3)	2396116221	-	10000	345	
		Hi-Temp 75 °C	380	60	1.15	DOL (3)	2791619004	-	12500	455
			380	60	1.15	Y-Δ (6)	2791819004	-	12500	450
	460/380		60/50	1.15/1.0	DOL (3)	2791019004	-	12500	455	
	460/380		60/50	1.15/1.0	Y-Δ (6)	2791219004	-	12500	450	
	575		60	1.15	DOL (3)	2791119004	-	12500	455	
	575		60	1.15	Y-Δ (6)	2791919004	-	12500	450	
Hi-Temp 75 °C - 316 SS	460/380	60/50	1.15/1.0	DOL (3)	2791019204	-	12500	455		
60	Sand Fighter®	380	60	1.15	DOL (3)	2396628521	-	10000	375	
		460/380	60/50	1.15/1.0	DOL (3)	2396028521	Yes	10000	375	
		460/380	60/50	1.15/1.0	Y-Δ (6)	2396228621	-	10000	380	
		575	60	1.15	DOL (3)	2396128521	-	10000	375	
	316 SS	380	60	1.15	DOL (3)	2396626221	-	10000	375	
		460/380	60/50	1.15/1.0	DOL (3)	2396026221	Yes	10000	375	
		460/380	60/50	1.15/1.0	Y-Δ (6)	2396222221	-	10000	380	
		575	60	1.15	DOL (3)	2396126221	-	10000	375	
		Hi-Temp 75 °C	380	60	1.15	DOL (3)	2791629004	-	12500	555
			380	60	1.15	Y-Δ (6)	2791829004	-	12500	560
	460/380		60/50	1.15/1.0	DOL (3)	2791029004	Yes	12500	555	
	460/380		60/50	1.15/1.0	Y-Δ (6)	2791229004	-	12500	560	
	575		60	1.15	DOL (3)	2791129004	-	12500	555	
	575		60	1.15	Y-Δ (6)	2791929004	-	12500	560	
Hi-Temp 75 °C - 316 SS	460/380	60/50	1.15/1.0	DOL (3)	2791029204	-	12500	455		

8" SUBMERSIBLE MOTORS - ORDERING INFORMATION

THREE-PHASE MODELS

HP	Description	Volts	Hz	S.F.	Motor Lead	Model No.	In Stock	Thrust Rating	Wt. (lbs)
75	Sand Fighter®	380	60	1.15	DOL (3)	2396638541		10000	430
		460/380	60/50	1.15/1.0	DOL (3)	2396038541	Yes	10000	430
		460/380	60/50	1.15/1.0	Y-Δ (6)	2396238641	-	10000	435
		575	60	1.15	DOL (3)	2396138541	-	10000	430
	316 SS	380	60	1.15	DOL (3)	2396636241	-	10000	430
		460/380	60/50	1.15/1.0	DOL (3)	2396036241	Yes	10000	430
		460/380	60/50	1.15/1.0	Y-Δ (6)	2396232241	-	10000	435
		575	60	1.15	DOL (3)	2396136241	-	10000	430
	Hi-Temp 75 °C	380	60	1.15	DOL (3)	2791639004	-	12500	700
		380	60	1.15	Y-Δ (6)	2791839004	-	12500	705
		460/380	60/50	1.15/1.0	DOL (3)	2791039004	Yes	12500	700
		460/380	60/50	1.15/1.0	Y-Δ (6)	2791239004	-	12500	705
		575	60	1.15	DOL (3)	2791139004	-	12500	700
		575	60	1.15	Y-Δ (6)	2791939004	-	12500	705
	Hi-Temp 75 °C - 316 SS	460/380	60/50	1.15/1.0	DOL (3)	2791039204	-	12500	700
	100	Sand Fighter®	380	60	1.15	DOL (3)	2396648541	-	10000
460/380			60/50	1.15/1.0	DOL (3)	2396048541	Yes	10000	530
460/380			60/50	1.15/1.0	Y-Δ (6)	2396248641	-	10000	535
575			60	1.15	DOL (3)	2396148541	-	10000	530
316 SS		380	60	1.15	DOL (3)	2396646241	-	10000	530
		460/380	60/50	1.15/1.0	DOL (3)	2396046241	Yes	10000	530
		460/380	60/50	1.15/1.0	Y-Δ (6)	2396242241	-	10000	535
		575	60	1.15	DOL (3)	2396146241	-	10000	530
Hi-Temp 75 °C		380	60	1.15	DOL (3)	2791649004	-	12500	840
		380	60	1.15	Y-Δ (6)	2791849004	-	12500	845
		460/380	60/50	1.15/1.0	DOL (3)	2791049004	Yes	12500	840
		460/380	60/50	1.15/1.0	Y-Δ (6)	2791249004	-	12500	845
		575	60	1.15	DOL (3)	2791149004	-	12500	840
		575	60	1.15	Y-Δ (6)	2791949004	-	12500	845
Hi-Temp 75 °C - 316 SS		460/380	60/50	1.15/1.0	DOL (3)	2791049204	Yes	12500	840
125		Sand Fighter®	380	60	1.15	DOL (3)	2391658504	-	10000
	460/380		60/50	1.15/1.0	DOL (3)	2391058504	Yes	10000	700
	460/380		60/50	1.15/1.0	Y-Δ (6)	2391258604	-	10000	705
	575		60	1.15	DOL (3)	2391158504	-	10000	700
	316 SS	380	60	1.15	DOL (3)	2391656204	-	10000	700
		460/380	60/50	1.15/1.0	DOL (3)	2391056204	Yes	10000	700
		460/380	60/50	1.15/1.0	Y-Δ (6)	2391252204	-	10000	705
		575	60	1.15	DOL (3)	2391156204	-	10000	700
	Hi-Temp 75 °C	380	60	1.15	DOL (3)	2791659004	-	12500	945
		380	60	1.15	Y-Δ (6)	2791859004	-	12500	950
		460/380	60/50	1.15/1.0	DOL (3)	2791059004	Yes	12500	945
		460/380	60/50	1.15/1.0	Y-Δ (6)	2791259004	-	12500	950
		575	60	1.15	DOL (3)	2791159004	-	12500	945
		575	60	1.15	Y-Δ (6)	2791959004	-	12500	950
	Hi-Temp 75 °C - 316 SS	460/380	60/50	1.15/1.0	DOL (3)	2791059204	Yes	12500	945



8" SUBMERSIBLE MOTORS - ORDERING INFORMATION

THREE-PHASE MODELS

HP	Description	Volts	Hz	S.F.	Motor Lead	Model No.	In Stock	Thrust Rating	Wt. (lbs)	
150	Sand Fighter®	380	60	1.15	DOL (3)	2391668504	-	10000	840	
		380	60	1.15	Y-Δ (6)	2391868604	-	10000	845	
		460/380	60/50	1.15/1.0	DOL (3)	2391068504	Yes	10000	840	
		460/380	60/50	1.15/1.0	Y-Δ (6)	2391268604	Yes	10000	845	
		575	60	1.15	DOL (3)	2391168504	Yes	10000	840	
	316 SS	380	60	1.15	DOL (3)	2391666204	-	10000	840	
		460/380	60/50	1.15/1.0	DOL (3)	2391066204	Yes	10000	840	
		460/380	60/50	1.15/1.0	Y-Δ (6)	2391262204	-	10000	845	
		575	60	1.15	DOL (3)	2391166204	-	10000	840	
		Hi-Temp 75 °C	380	60	1.15	DOL (3)	2791669004	-	12500	1040
	175	Sand Fighter®	380	60	1.15	Y-Δ (6)	2791869004	-	12500	1045
			460/380	60/50	1.15/1.0	DOL (3)	2791069004	-	12500	1040
			460/380	60/50	1.15/1.0	Y-Δ (6)	2791269004	-	12500	1045
			575	60	1.15	DOL (3)	2791169004	-	12500	1040
			575	60	1.15	Y-Δ (6)	2791969004	-	12500	1045
Hi-Temp 75 °C - 316 SS		460/380	60/50	1.15/1.0	DOL (3)	2791069204	-	12500	1040	
200		Sand Fighter®	380	60	1.15	DOL (3)	2391678504	-	10000	945
			380	60	1.15	Y-Δ (6)	2391878604	-	10000	950
	460/380		60/50	1.15/1.0	DOL (3)	2391078504	Yes	10000	945	
	460/380		60/50	1.15/1.0	Y-Δ (6)	2391278604	-	10000	950	
	575		60	1.15	DOL (3)	2391178504	-	10000	945	
	316 SS	380	60	1.15	DOL (3)	2391676204	-	10000	945	
		460/380	60/50	1.15/1.0	DOL (3)	2391076204	-	10000	945	
		460/380	60/50	1.15/1.0	Y-Δ (6)	2391272204	-	10000	950	
		575	60	1.15	DOL (3)	2391176204	-	10000	945	
200	Sand Fighter®	380	60	1.15	DOL (3)	2391688504	-	10000	1040	
		380	60	1.15	Y-Δ (6)	2391888604	-	10000	1045	
		460/380	60/50	1.15/1.0	DOL (3)	2391088504	Yes	10000	1040	
		460/380	60/50	1.15/1.0	Y-Δ (6)	2391288604	-	10000	1045	
		575	60	1.15	DOL (3)	2391188504	-	10000	1040	
	316 SS	380	60	1.15	DOL (3)	2391686204	-	10000	1040	
		460/380	60/50	1.15/1.0	DOL (3)	2391086204	-	10000	1040	
		460/380	60/50	1.15/1.0	Y-Δ (6)	2391282204	-	10000	1045	
		575	60	1.15	DOL (3)	2391186204	-	10000	1040	

NOTE: Models designated above as Sand Fighter® are water well construction; all 316 SS models are equipped with Sand Fighter® sealing system; all models listed above include factory installed leads (13 ft); motor leads do not include ground

8" SUBMERSIBLE MOTORS - DIMENSIONS AND WEIGHTS

STANDARD

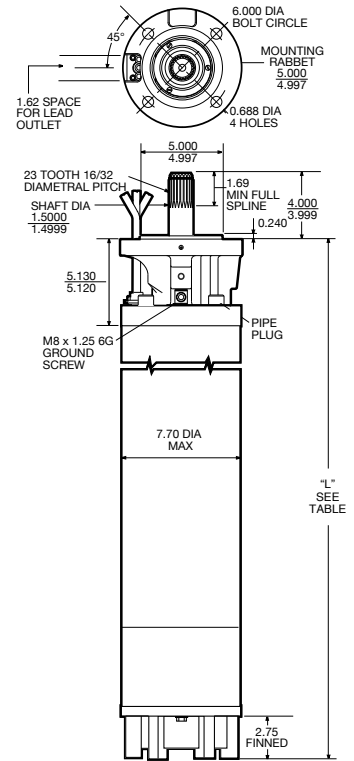
HP / kW	Phase	L (in)	Motor Carton Size (in)			Shipping Wt.	
			W	H	L	lbs	kg
40 / 30	3 (3-Lead)	36.4	9	17	51	320	146
50 / 37		39.4	9	17	51	345	157
60 / 45		42.4	9	17	51	375	171
75 / 55		47.4	9	17	64	430	196
100 / 75		54.9	9	17	64	530	241
125 / 93		68.8	9	17	79	700	318
150 - 110		77.8	9	17	96	840	382
175 - 130		85.8	9	17	96	945	430
200 / 150		94.8	9	17	108	1040	473

NOTE: 6-Lead Y-Δ models available (add 5 lbs to shipping weight)

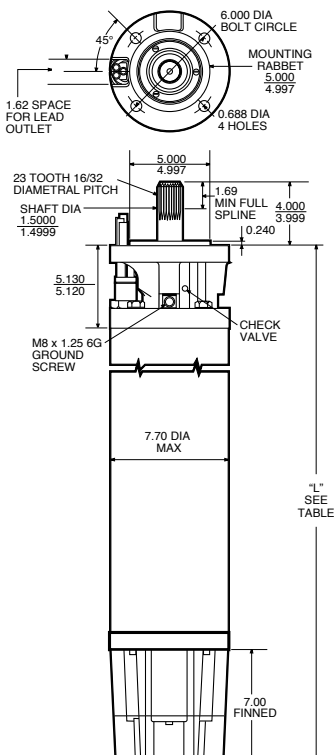
HI-TEMP 75

HP / kW	Phase	L (in)	Motor Carton Size (in)			Shipping Wt.	
			W	H	L	lbs	kg
40 / 30	3	44.8	9	17	64	400	181
50 / 37		49.8	9	17	64	455	206
60 / 45		57.3	9	17	79	555	252
75 / 55		68.8	9	17	79	700	318
100 / 75		77.8	9	17	96	840	382
125 / 93		85.8	9	17	96	945	430
150 - 110		94.8	9	17	108	1040	473

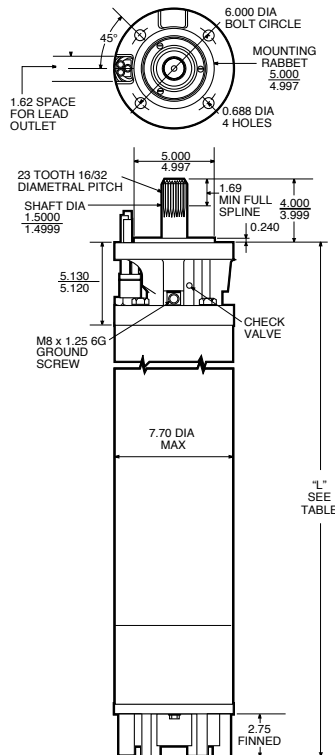
Type 1.0 (40-150 hp)



Type 2.1 (40-100 hp)



Type 1.0 (125-200 hp)





8" SUBMERSIBLE MOTORS - LEADS AND ACCESSORIES

MOTOR LEADS AND CABLES

HP	Model	Description	Wire AWG	Model No.	Wt. (lbs)	
40 - 60	Standard	Lead, Brass, 13 ft, No Ground	8	305516901	4	
		Lead, Brass, 26 ft, No Ground	8	305516902	9	
		Lead, 316 SS, 13 ft, No Ground	8	305516950	4	
		Lead, 316 SS, 26 ft, No Ground	8	305516951	9	
75-125 DOL / 75-200 Y-D		Lead, Brass, 13 ft, No Ground	4	305310903	9	
		Lead, Brass, 26 ft, No Ground	4	305310901	17	
		Lead, 316 SS, 13 ft, No Ground	4	305310953	9	
75-200 Y-D Only		Lead, EPCV, 316 SS, 13 ft, No Ground	2	305703901	12	
150-200 DOL Only		All Hi-Temp	Lead, 316 SS, 26 ft, No Ground	4	305310951	17
			Lead, XLPO, 316 SS, 13 ft, No Ground	2	305315901	12
	Lead, XLPO, 316 SS, 26 ft, No Ground		2	305315902	23	

NOTE: Refer to Franklin Application Installation Maintenance (AIM) Manual for accurate cable sizing; MOTOR WARRANTY IS VOID if Franklin-supplied leads are not used

MOTOR ACCESSORIES

HP	Description	Model No.	Wt. (lbs)
All	Coupling, 8-inch, #416 SS, 1" Pump Shaft, 1/4 x 1/4 x 2 Key	156563901	5
	Coupling, 8-inch, #416 SS, 1-3/16" Pump Shaft, 1/4 x 1/4 x 2 Key	156563906	5
	Coupling, 8-inch, #416 SS, 1-3/16" Pump Shaft, 5/16 x 5/16 x 2 Key	156563902	5
	Coupling, 8-inch, #416 SS, 1-1/4" Pump Shaft, 5/16 x 5/16 x 2 Key	156563903	5
	Coupling, 8-inch, #416 SS, 1-1/2" Pump Shaft, 3/8 x 3/8 x 2 Key	156563904	5
	Surge Arrestor - Three-Phase - Up to 650 V to Ground	155440902	2
	PT 100 Sensor, 8-inch 40 - 60 HP	305326902	< 1
	PT 100 Sensor, 8-inch 75 - 200 HP	305326901	< 1

CONTROL BOXES

The Quick Disconnect (QD) and Capacitor Run Control (CRC) control boxes are designed for use with Franklin 3-wire, single-phase submersible motors through 1 hp. The Standard and Deluxe control boxes are designed for use with Franklin 3-wire, single-phase submersible motors from 1 through 15 hp, and are recommended for water systems that use pressure switches, level switches, or other pilot devices. Deluxe boxes contain magnetic line contractors carefully matched to the motor rating, eliminating the need for external line connectors.

FEATURES: ALL

- Suitable for outdoor mounting
- Capacitor start/run design (except QD boxes)
- UL Listed for US and Canada (60 Hz models)

FEATURES: STANDARD & DELUXE

- Heavy-duty, box-type terminals accept up to AWG #2 wire
- External access to overload resets
- Multiple-size knockouts
- User-friendly connection diagrams
- Easy access to grounding lugs



SINGLE-PHASE SPECIFICATIONS

Box Type	Hz	HP Range	kW Range	Enclosure	Terminal Block		Mag Contactor	Agency Approvals
					Terminals	Max Wire		
Quick Disconnect (QD)	60	1/3 - 1	0.25 - 0.75	NEMA 3R, IP23	5	AWG 10	No	UL listed for US and Canada
Quick Disconnect (QD)	50	1/3 - 1	0.25 - 0.75	NEMA 3R, IP23	5	AWG 10	No	CSA Certified
Capacitor Run Control (CRC)	60	1/2 - 1	0.37 - 0.75	NEMA 3R, IP23	5	AWG 10	No	UL listed for US and Canada
Standard (S)	60	1 - 10	0.75 - 7.5	NEMA 3R, IP23	5	AWG 2	No	UL listed for US and Canada
Standard (S)	50	1.5 - 5	1.1 - 3.7	NEMA 3R, IP23	5	AWG 2	No	CSA Certified
Deluxe (D)	60	1 - 15	0.75 - 11	NEMA 3R, IP23	6	AWG 2	Yes	UL listed for US and Canada
Extra Large Deluxe (D-XL)	60	15	11	NEMA 3R, IP23	5	AWG 00	Yes	UL listed for US and Canada



CONTROL BOXES

ORDERING INFORMATION

HP (kW)	Description				Model No.	Stock Status
	Phase	Volts	Hz	Type		
1/3 / 0.25	1	115	60	Q	2801024915	Yes
		220	50	Q	2803532115	-
		230	60	Q	2801034915	Yes
1/2 / 0.37		115	60	Q	2801044915	Yes
		220	50	Q	2803552115	Yes
		230	60	Q	2801054915	Yes
3/4 / 0.55		230	60	CRC	2824055015	Yes
		220	50	Q	2803572115	Yes
		230	60	Q	2801074915	Yes
1 / 0.75		230	60	CRC	2824075015	Yes
		220	50	Q	2803582115	Yes
		230	60	Q	2801084915	Yes
1.5 / 1.1		230	60	CRC	2824085015	Yes
		230	60	D	2823008310	-
		220	50	S	2823508110	Yes
2 / 1.5	230	60	S	2823008110	Yes	
	230	60	D	2823008310	-	
	220	50	S	2823518110	Yes	
3 / 2.2	230	60	S	2823018110	Yes	
	230	60	S	2823528110	Yes	
	230	60	S	2823028110	Yes	
5 / 3.7	230	60	D	2823028310	Yes	
	220	50	S	2822539010	Yes	
	230	60	S	2821138110	Yes	
7.5 / 5.5	230	60	D	2821139310	Yes	
	230	60	S	2822019210	Yes	
	230	60	D	2822019310	Yes	
10 / 7.5	230	60	S	2822029230	Yes	
	230	60	D	2822029330	Yes	
	230	60	D	2822039330	Yes	
15 / 11	230	60	D	2822039330	Yes	
	230	60	D-XL	2822039621	-	

NOTE: Q = Quick Disconnect Control Box; CRC = Capacitor Run Control Box; S = Standard Control Box; D = Deluxe Control Box; D-XL = Extra Large Deluxe Control Box

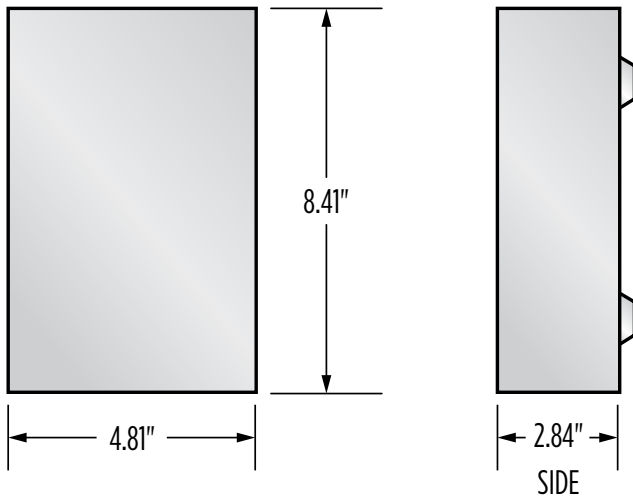
CONTROL BOXES - QUICK DISCONNECT (QD) & CAPACITOR RUN CONTROL (CRC)

SPECIFICATIONS

- Bottom Knockout: Two 0.88" knockouts and one 1.31" knockout
- Side Knockout: One 0.88" knockout and one 1.31" knockout on each side
- Terminal Block: Five terminals provided for wiring up to AWG #10 wire

DIMENSIONS

Box Type	HP / kW	Enclosure Size	Motor Carton Size (in)			Shipping Wt.	
			W	H	L	lbs	kg
Quick Disconnect (QD)	1/3 / 0.25	QD	5.5	3.25	9	4	1.8
	1/2 / 0.37						
	3/4 / 0.55						
	1 / 0.75						
Capacitor Run Control (CRC)	1/2 / 0.37	QD	5.5	3.25	9	5	2.3
	3/4 / 0.55						
	1 / 0.75						





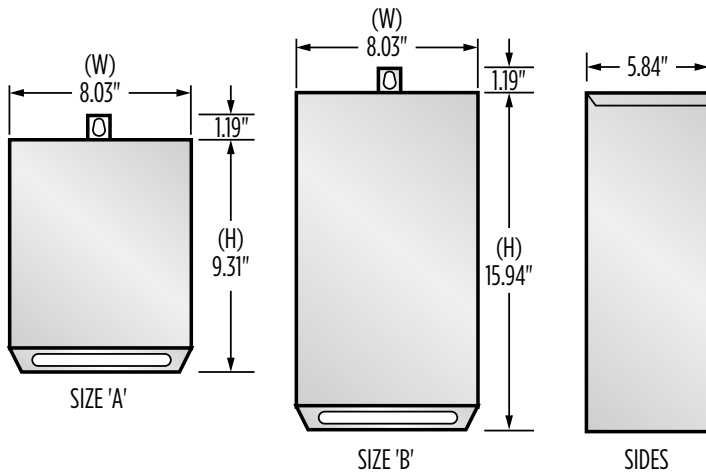
CONTROL BOXES - STANDARD & DELUXE

SPECIFICATIONS

- Knockouts: Two 1.31" diameter holes for 1" conduit connection; One 1.75" knockout for 1.25" conduit; One 0.88" knockout for 0.5" conduit connection
- Terminal Block: Six terminals provided for wiring up to AWG 2 wire

DIMENSIONS

Box Type	HP / kW	Enclosure Size	Motor Carton Size (in)			Shipping Wt.	
			W	H	L	lbs	kg
Standard	1 / 0.75	A	8.125	6.25	11.25	7	3.2
	1.5 / 1.1	A	8.125	6.25	11.25	7	3.2
	2 / 1.5	A	8.125	6.25	11.25	7	3.2
	3 / 2.2	A	8.125	6.25	11.25	7	3.2
	5 (60 Hz) / 3.7	A	8.125	6.25	11.25	8	3.6
	5 (50 Hz) / 3.7	B	8.125	6.25	18	8	3.6
	7.5 / 5.5	B	8.125	6.25	18	12	5.5
Deluxe	10 / 7.5	B	8.125	6.25	18	14	6.4
	1 / 0.75	A	8.125	6.25	11.25	7	3.2
	1.5 / 1.1	A	8.125	6.25	11.25	7	3.2
	2 / 1.5	A	8.125	6.25	11.25	7.0	3.2
	3 / 2.2	A	8.125	6.25	11.25	7.3	3.3
	5 / 3.7	B	8.125	6.25	18	11.2	5.1
	7.5 / 5.5	B	8.125	6.25	18	13.1	6.0
	10 / 7.5	B	8.125	6.25	18	14.7	6.7
	15 / 11	B	8.125	6.25	18	16.5	7.5
15 (XL) / 11	C	16	7.125	19	28.0	12.7	

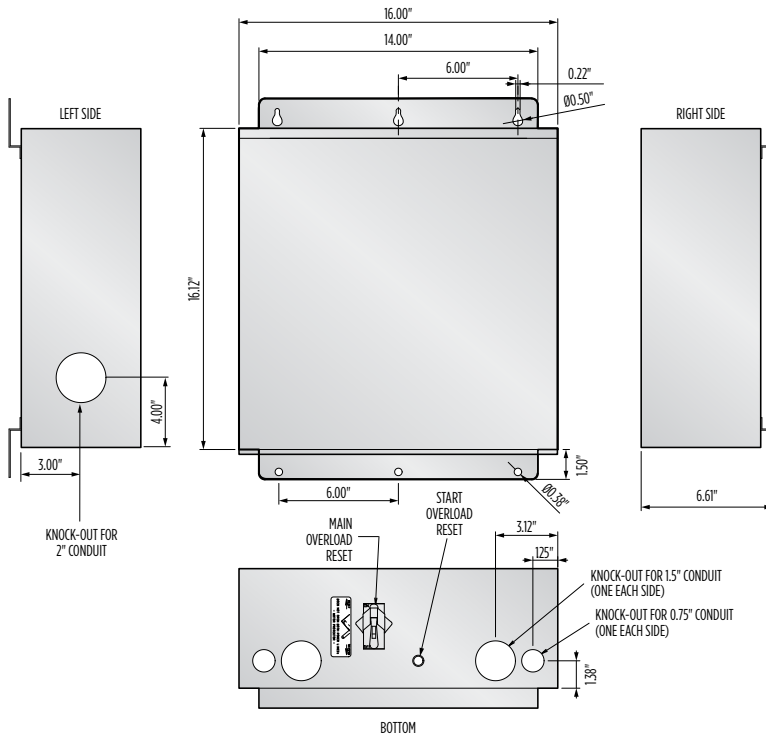


CONTROL BOXES - EXTRA LARGE DELUXE (D-XL)

SPECIFICATIONS

- Bottom Knockouts: Two knockouts for 0.75" conduit, and two for 1.5" conduit
- Side Knockouts: One knockout for 2" conduit
- Terminal Block: Two terminals provided for incoming power and three terminals provided for drop cable for conductors from AWG 14 to 00
- Control Switch Terminal Block: Accepts conductors from AWG 20 to 6

DIMENSIONS





CONTROL BOXES - PARTS

QD 60 HZ

HP / Voltage	Model No.	Rating	No. Req.	Component Part No.	Kit Order No.
1/3 / 115	280 102 4915	Start Capacitor 159-191 MFD, 110 V	1	275 464 125	305 207 925
		QD Relay		223 415 905	305 101 905
1/3 / 230	280 103 4915	Start Capacitor 43-53 MFD, 220 V		275 464 126	305 207 926
		QD Relay		223 415 901	305 101 901
1/2 / 115	280 104 4915	Start Capacitor 250-300 MFD, 125 V		275 464 201	305 207 951
		QD Relay		223 415 906	305 101 906
1/2 / 230	280 105 4915	Start Capacitor 59-71 MFD, 220 V		275 464 105	305 207 905
		QD Relay		223 415 902	305 101 902
3/4 / 230	280 107 4915	Start Capacitor 86-103 MFD, 220 V		275 464 118	305 207 918
		QD Relay		223 415 903	305 101 903
1 / 230	280 108 4915	Start Capacitor 105-126 MFD, 220 V		275 464 113	305 207 913
		QD Relay		223 415 904	305 101 904
1/2 / 230	CRC 282 405 5015	Start Capacitor 43-53 MFD, 220 V		275 464 126	305 207 926
		Run Capacitor 15 MFD, 370 V		156 362 101	305 203 907
		QD Relay	223 415 912	305 105 901	
3/4 / 230	CRC 282 407 5015	Start Capacitor 59-71 MFD, 220 V	275 464 105	305 207 905	
		Run Capacitor 23 MFD, 370 V	156 362 102	305 203 908	
		QD Relay	223 415 913	305 105 902	
1 / 230	CRC 282 408 5015	Start Capacitor 86-103 MFD, 220 V	275 464 118	305 207 918	
		Run Capacitor 23 MFD, 370 V	156 362 102	305 203 908	
		QD Relay	223 415 914	305 105 903	

QD 50 HZ

HP / Voltage	Model No.	Rating	No. Req.	Component Part No.	Kit Order No.
1/2 / 220	280 355 2115	Start Capacitor 43-53 MFD, 220 V	1	275 461 123	305 205 923
		Capacitor Overload Assembly		151 033 990	305 218 990
		QD Relay		223 415 915	305 105 904
3/4 / 220	280 357 2115	Start Capacitor 59-71 MFD, 220 V		275 461 108	305 205 908
		Capacitor Overload Assembly		151 033 989	305 218 989
		QD Relay		223 415 916	305 105 905
1 / 220	280 358 2115	Start Capacitor 86-103 MFD, 220 V		275 461 106	305 205 906
		Capacitor Overload Assembly		151 033 988	305 218 988
		QD Relay		233 451 917	305 105 906

QD OLD STYLE

Description	Rating	No. Req.	Component Part No.	Kit Order No.
Voltage Relay Kit	115 V w/ Bracket and Screws	1	155 031 901	305 102 901
	230 V w/ Bracket and Screws		155 031 902	305 102 902
	208 V w/ Bracket and Screws		155 031 903	305 102 903
Capacitor Overload Assembly	1/3 hp, 115 V		151 033 973	305 218 973
	1/3 hp, 230 V		151 033 974	305 218 974
	1/2 hp, 115 V		151 033 975	305 218 975
	1/2 hp, 230 V		151 033 976	305 218 976
	3/4 hp, 230 V		151 033 978	305 218 978
	1 hp, 230 V		151 033 979	305 218 979
	1.5 hp, 230 V		151 033 980	305 218 980
Overload Kit	1/3 hp, 115 V	N/A	305 100 901	
	1/3 hp, 230 V	N/A	305 100 902	
	1/2 hp, 115 V	N/A	305 100 903	
	1/2 hp, 230 V	N/A	305 100 904	
	3/4 hp, 230 V	N/A	305 100 905	
	1 hp, 230 V	N/A	305 100 906	

NOTE: Some Franklin motors, controls, and parts are non-stock items and may need to be special ordered

CONTROL BOXES - PARTS

STANDARD 60 HZ

HP	Model No.	Rating	No. Req.	Component Part No.	Kit Order No.
1/1.5 - 4"	282 300 8110	Start Capacitor 105-126 MFD, 220 V	1	275 464 113	305 207 913
		Run Capacitor 15 MFD, 370 V		155 328 101	305 204 901
		Start Overload		275 411 114	305 215 914
		Run Overload		275 411 113	305 215 913
		Relay - 230 V*		155 031 102	305 213 902
2 - 4"	282 301 8110	Start Capacitor 105-126 MFD, 220 V	1	275 464 113	305 207 913
		Run Capacitor 20 MFD, 370 V		155 328 103	305 204 903
		Start Overload		275 411 117	305 215 917
		Run Overload		275 411 113	305 215 913
		Relay - 230 V*		155 031 102	305 213 902
3 - 4"	2823028110	Start Capacitor 208-250 MFD, 220 V	1	275 463 111	305 206 911
		Run Capacitor 45 MFD, 370 V		155 327 109	305 203 909
		Start Overload		275 411 118	305 215 918
		Run Overload		275 411 115	305 215 915
		Relay - 230 V*		155 031 102	305 213 902
5 - 4" & 6"	282 113 8110	Start Capacitor 216-259 MFD, 330 V	2	275 468 118	305 208 918
		Run Capacitor 40 MFD, 370 V		155 327 114	305 203 914
		Start Overload		275 411 119	305 215 919
		Run Overload		275 406 102	305 214 902
		Relay - 230 V*		155 031 601	305 213 961
7.5 - 6"	282 201 9210	Start Capacitor 270-324 MFD, 330 V	1	275 468 119	305 208 919
		Start Capacitor 130-154 MFD, 330 V		275 468 117	305 208 917
		Run Capacitor 45 MFD, 370 V		155 327 109	305 203 909
		Start Overload		275 411 102	305 215 902
		Run Overload		275 406 122	305 214 922
		Relay - 230 V*		155 031 601	305 213 961
10 - 6"	282 202 9230	Start Capacitor 270-324 MFD, 330 V	2	275 468 119	305 208 919
		Run Capacitor 35 MFD, 370 V		155 327 102	305 203 902
		Start Overload		275 406 103	305 214 903
		Run Overload		155 409 101	155 409 101
		Relay - 230 V*		155 031 601	305 213 961
All	All	Lightning Arrestor	1	150 814 902	150 814 902
208 V Relay *	208 V Relay *	Relay 1.5-3 hp (replaces 155031102)	1	155 031 103	305 213 903
		Relay 5-15 hp (replaces 155031601)		155 031 602	305 213 904

STANDARD 50 HZ

HP / Voltage	Model No.	Rating	No. Req.	Component Part No.	Kit Order No.
1.5 / 220	282 350 8110	Start Capacitor 105-126 MFD, 220 V	1	275 464 113	305 207 913
		Run Capacitor 10 MFD, 370 V		155 328 102	305 203 909
		Overload Assembly - Run		275 411 114	305 215 914
		Relay 220 V		155 031 112	305 213 912
2 / 220	282 351 8110	Start Capacitor 189-227 MFD, 220 V	1	275 468 115	305 208 915
		Run Capacitor 20 MFD, 370 V		155 328 103	305 204 903
		Overload Assembly - Run		275 411 102	305 215 902
		Overload Assembly - Start		275 411 106	305 215 906
		Relay 220 V		155 031 112	305 213 912
3 / 220	282 352 8110	Start Capacitor 270-324 MFD, 220 V	1	275 468 119	305 208 919
		Run Capacitor 35 MFD, 370 V		155 327 102	305 203 902
		Overload Assembly - Run		275 406 107	305 214 907
		Overload Assembly - Start		275 411 107	305 215 907
		Relay 220 V		155 031 112	305 213 912
5 / 220	282 253 9010	Start Capacitor 189-227 MFD, 220 V	1	275 461 115	305 208 915
		Run Capacitor 30 MFD, 220 V		155 327 101	305 203 901
		Run Capacitor 45 MFD, 220 V		155 327 109	305 203 909
		Overload Assembly - Run		275 406 102	305 214 902
		Overload Assembly - Start		275 411 102	305 215 902
		Relay 220 V		155 031 112	305 213 912

NOTE: Some Franklin motors, controls, and parts are not stock items and may need to be special ordered

* For 208 V systems or where line voltage is between 200 V and 210 V, a low voltage relay and larger cable are required. Use relay part number 155 031 103 in place of 155 031 102 on 1.5 through 3 hp applications; Use relay 115 031 602 for 5-15 hp applications; use the next size larger cable than is specified in the 230 V table; boost transformers are an alternative to special relay and cable



CONTROL BOXES - PARTS

DELUXE

HP Size / Model No.	Model No.	Rating	No. Req.	Component Part No.	Kit Order No.
1/1.5 - 4"	282 300 8310	Start Capacitor 105-126 MFD, 220 V		275 464 113	305 207 913
		Run Capacitor 15 MFD, 370 V		155 328 101	305 204 901
		Start Overload		275 411 114	305 215 914
		Run Overload		275 411 113	305 215 913
		Contactactor		155 325 102	305 226 901
		Relay - 230 V*		155 031 102	305 213 902
2 - 4"	282 301 8310	Start Capacitor 105-126 MFD, 220 V	1	275 464 113	305 207 913
		Run Capacitor 20 MFD, 370 V		155 328 103	305 204 903
		Start Overload		275 411 117	305 215 917
		Run Overload		275 411 113	305 215 913
		Contactactor		155 325 102	305 226 901
		Relay - 230 V*		155 031 102	305 213 902
3 - 4"	282 302 8310	Start Capacitor 208-250 MFD, 220 V		275 463 111	305 206 911
		Run Capacitor 45 MFD, 370 V		155 327 109	305 203 909
		Start Overload		275 411 118	305 215 918
		Run Overload		275 411 115	305 215 915
		Contactactor		155 325 102	305 226 901
		Relay - 230 V*		155 031 102	305 213 902
5 - 4" & 6"	282 113 9310	Start Capacitor 216-259 MFD, 330 V	2	275 468 118	305 208 918
		Run Capacitor 40 MFD, 370 V		155 327 114	305 203 914
		Start Overload	1	275 411 119	305 215 919
		Run Overload		275 406 102	305 214 902
		Contactactor		155 326 101	305 347 903
		Relay - 230 V*		155 031 601	305 213 961
7.5 - 6"	282 201 9310	Start Capacitor 130-154 MFD, 330 V	1	275 468 117	305 208 917
		Start Capacitor 270-324 MFD, 330 V		275 468 119	305 208 919
		Run Capacitor 45 MFD, 370 V		155 327 109	305 203 909
		Start Overload		275 411 102	305 215 902
		Run Overload		275 406 121	305 214 921
		Contactactor		155 326 102	305 347 902
10 - 6"	282 202 9330	Start Capacitor 270-324 MFD, 330 V	2	275 468 119	305 208 919
		Run Capacitor 35 MFD, 370 V		155 327 102	305 203 902
		Start Overload	1	275 406 103	305 214 903
		Run Overload		155 409 101	155 409 101
		Contactactor		155 326 102	305 347 902
		Relay - 230 V*		155 031 601	305 213 961
15 - 6"	282 203 9330	Start Capacitor 270-324 MFD, 330 V	2	275 468 119	305 208 919
		Run Capacitor 45 MFD, 370 V	3	155 327 109	305 203 909
		Start Overload	1	275 406 103	305 214 903
		Run Overload		155 409 102	155 409 102
		Contactactor		155 429 101	305 347 901
		Relay - 230 V*		155 031 601	305 213 961
15 - 6"	282 203 9621 (X-Large Enclosure)	Start Capacitor 270-324 MFD, 330 V	2	275 468 119	305 208 919
		Run Capacitor 45 MFD, 370 V	3	155 327 109	305 203 909
		Start Overload	1	275 406 103	305 214 903
		Run Overload		155 409 102	155 409 102
		Contactactor		155 429 101	305 347 901
		Relay - 230 V*		155 031 601	305 213 961
All	All	Lightning Arrestor		150 814 902	150 814 902
208 V Relay*	208 V Relay*	Relay 1.5-3 hp (replaces 155 031 102)	1	155 031 103	305 213 903
		Relay 5-15 hp (replaces 155 031 601)		155 031 602	305 213 904

NOTE: Some Franklin motors, controls & parts are not stock items and may need to be special ordered

* For 208 V systems or where line voltage is between 200 V and 210 V, a low voltage relay and larger cable are required. Use relay part number 155 031 103 in place of 155 031 102 on 1.5 through 3 hp applications; use relay 115 031 602 for 5-15 hp applications; use the next size larger cable than is specified in the 230 V table; boost transformers are an alternative to special relay and cable

ACCESSORIES & SERVICES - COUPLINGS

Franklin Electric offers this line of motor-to-pump couplings for maximum customer convenience in matching the Franklin motor to a variety of pump shafts. Couplings are designed to transmit the pump thrust to the motor in order to provide maximum benefits from Franklin's internal thrust bearing construction.

Hardened stainless steel spacer discs in the 4" and 6" couplings assure positive bearing between motor and pump shafts, and assure full support for downward thrust created by the pump.

8" couplings DO NOT contain hardened spacer discs since the motor shaft itself is hardened.

All couplings include Allen head 300 series stainless steel set screws with key included.

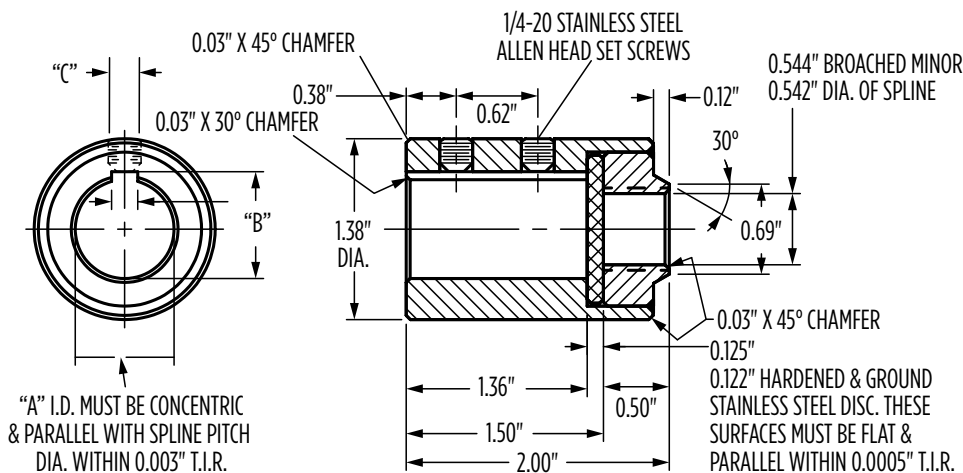
SPECIFICATIONS

Motor Size (in)	Construction	Pump Shaft Dia.	Dimensions (in)			Part No.
			W	D	L	
4	416 SS	3/4	3/16	1/8	1 3/8	151 551 911
	316 SS	3/4	3/16	1/8	1 3/8	151 551 931
6	416 SS	3/4	3/16	1/8	1 3/4	151 935 902
		7/8	1/4	3/16	1 3/4	151 935 901
		1	1/4	3/16	1 3/4	151 935 909
	316 SS	3/4	3/16	1/8	1 3/4	151 935 922
		7/8	1/4	3/16	1 3/4	151 935 921
		1	1/4	3/16	1 3/4	151 935 929
8	416 SS	1	1/4	1/4	2	151 922 901
		1 3/16	1/4	1/4	2	151 922 906
		1 3/16	5/16	5/16	2	151 922 902
		1 1/4	5/16	5/16	2	151 922 903
		1 1/2	3/8	3/8	2	151 922 904
	316 SS	1 3/16	1/4	1/4	2	151 922 926
		1 1/4	5/16	5/16	2	151 922 923
		1 1/2	3/8	3/8	2	151 922 924
		1 11/16	3/8	3/8	2	151 922 929

NOTE: 316 SS couplings are normally used with corrosion-resistant motors



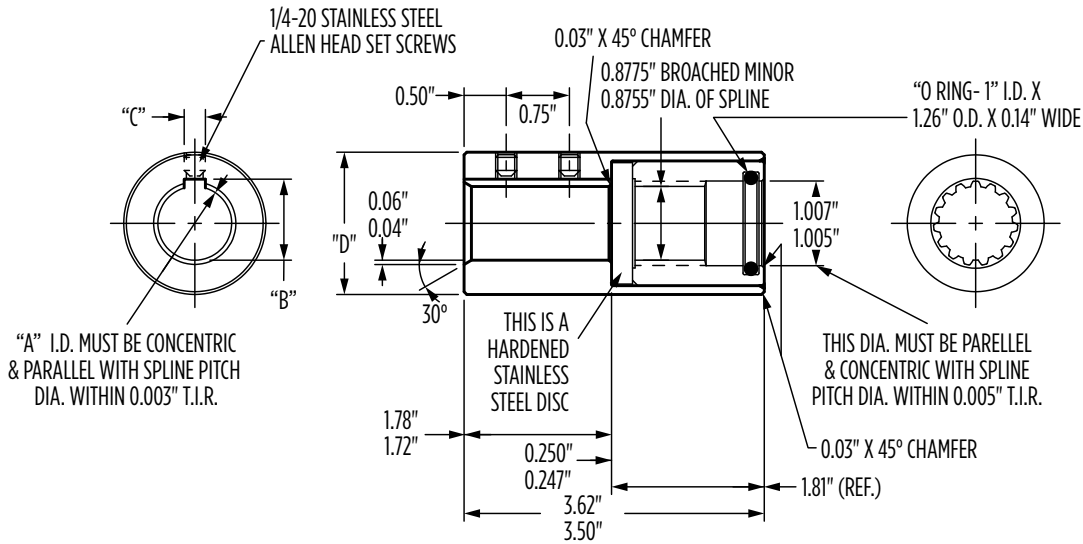
4" DIMENSIONS



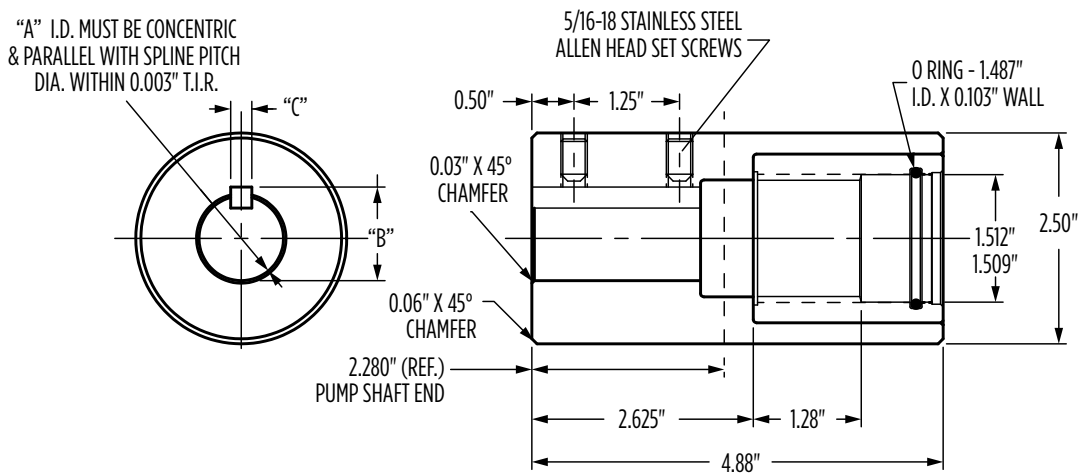


ACCESSORIES & SERVICES - COUPLINGS

6" DIMENSIONS



8" DIMENSIONS



ACCESSORIES & SERVICES - QD SERVICE BOX & SPECIAL SERVICES

QD SERVICE BOX

- Franklin Electric's QD service box is a service tool that provides capability to measure motor amps and line voltage with the motor running
- Fits between the base and cover of an installed QD control box
- Compatible with any Franklin Electric QD or CRC control box
- Meter jacks for measuring voltage while the motor is running
- Clamp-on ammeter access to all three motor leads for installations with jacketed cable or conduit
- Easy to use



Compatible With	Part No.
All QD & CRC Control Box Ratings	305 510 901

SPECIAL SERVICES

Special testing services are available for motors purchased from Franklin Electric. These services must be specified at the time of order and will result in additional lead time.

Calibrated Motor Performance Test	
HP	Motor Diameter
1/3-3	4"
5-10	4"
5-60	6"
40-200	8"

Submergence Performance Test	
HP	Motor Diameter
1/3-2	4" @ 1000 psi (2W = 500 psi)
3-10	4" @ 1000 psi
5-30	6" @ 1000 psi
40-60	6" @ 1000 psi
	8" @ 1000 psi

