

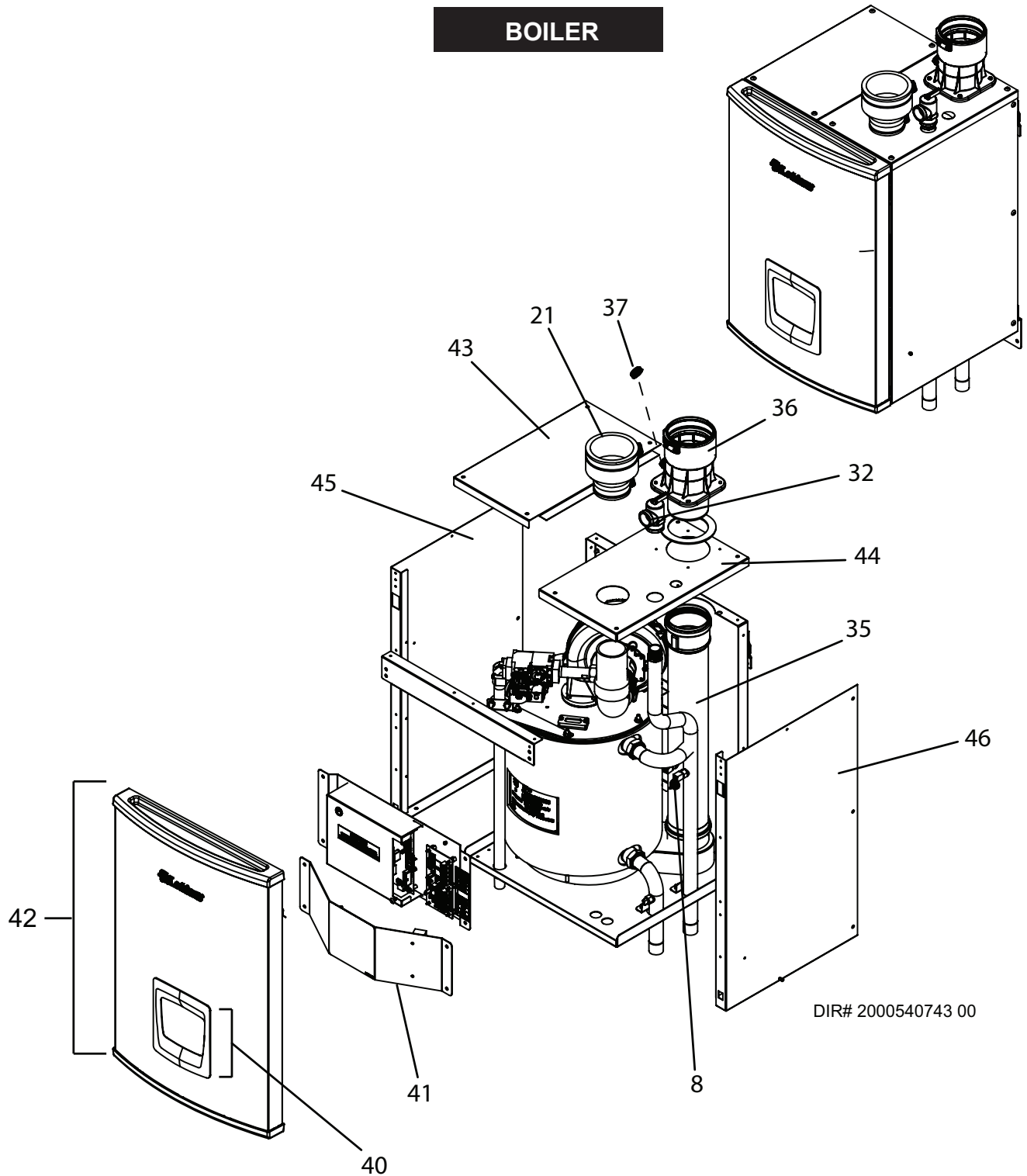


PARTS & SERVICE DEPARTMENT
 Nashville, Tennessee
 877-554-5544 • Fax: 615-882-2918
 parts_team@lochinvar.com
 www.lochinvar.com

Replacement Parts List

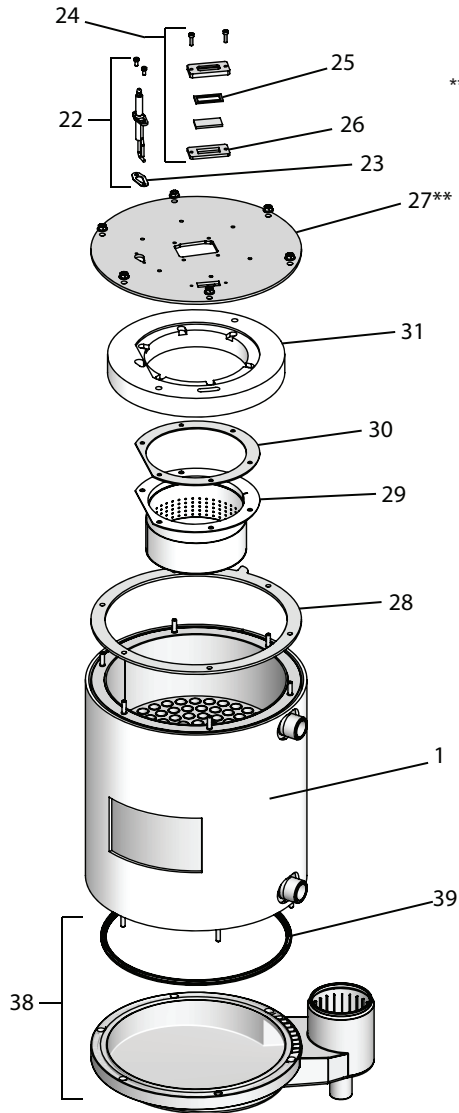
Noble Boiler & Combi
 NKB 080 - 199 (N,L)
 NKC 110 - 199 (N,L)
 Series 100 - 101 & 110 - 111

BOILER



DIR# 2000540743 00

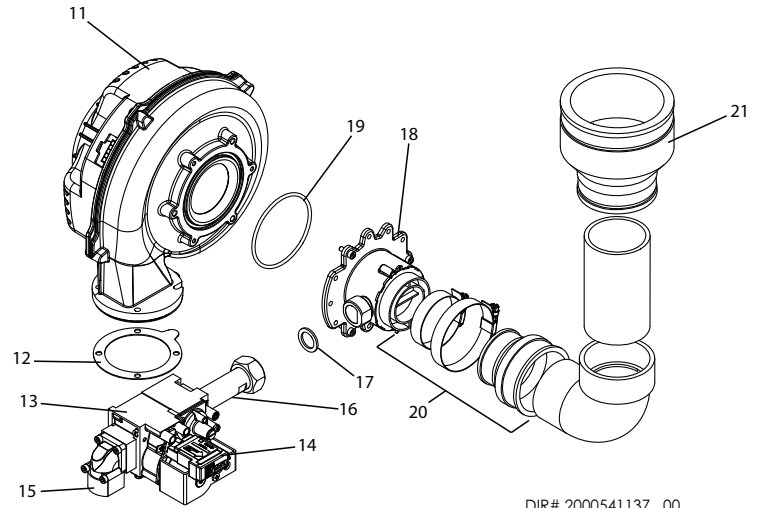
HEAT EXCHANGER



** The Heat Exchanger Top Plate Assembly includes item numbers 12, 17, 23, 25, 26, 27, 28, 30, and 31.

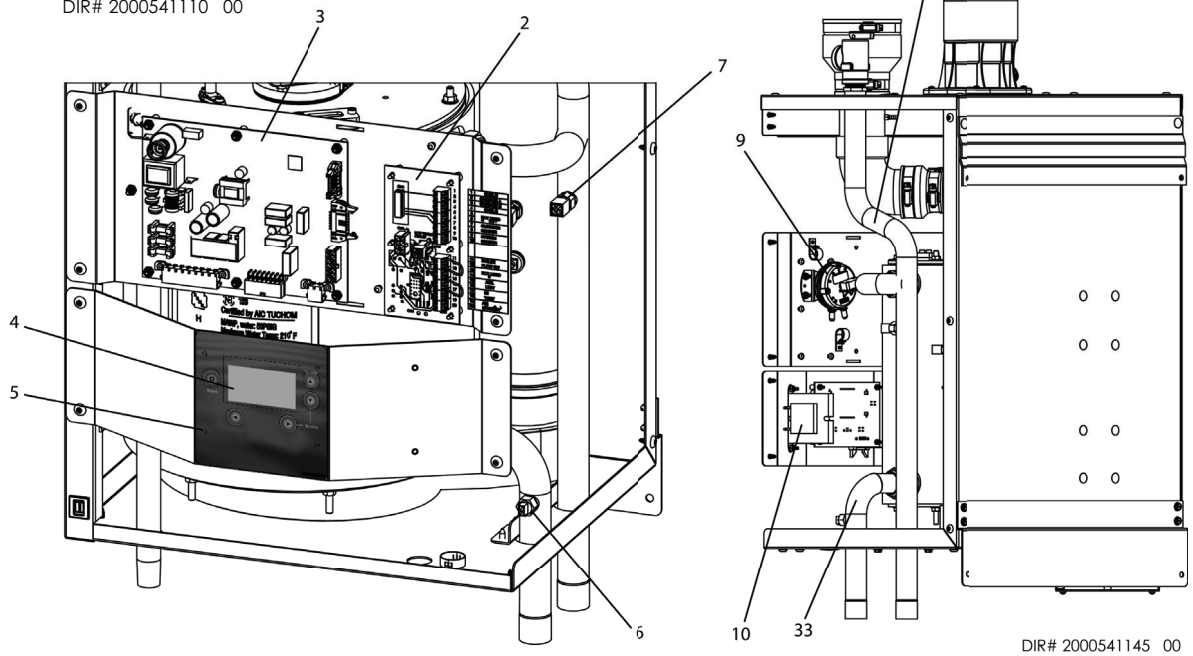
DIR# 2000541110 00

GAS TRAIN



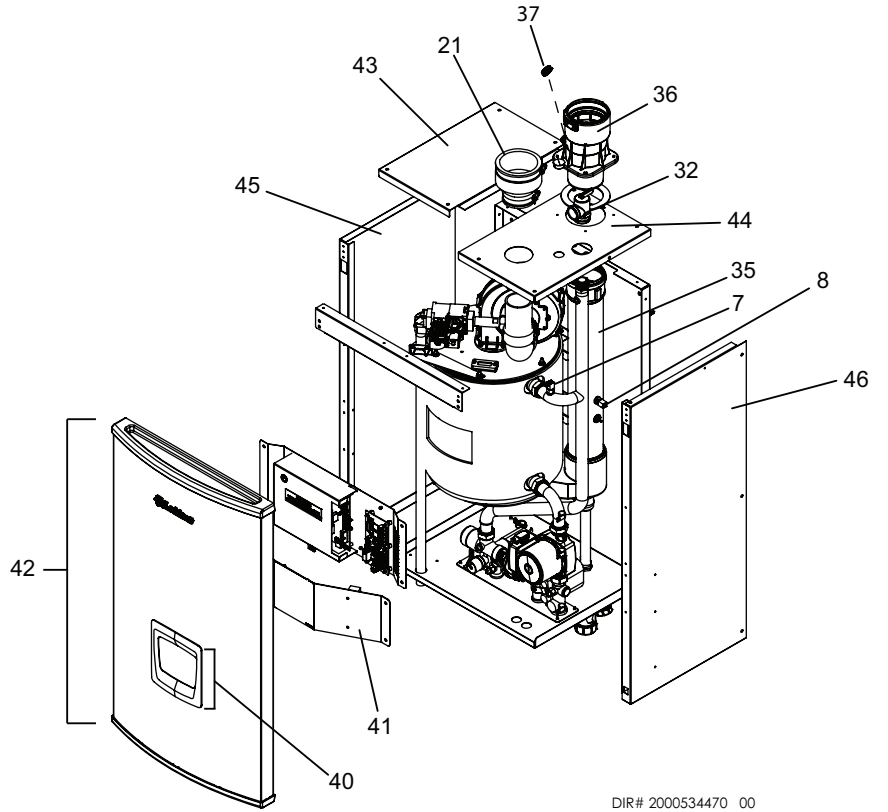
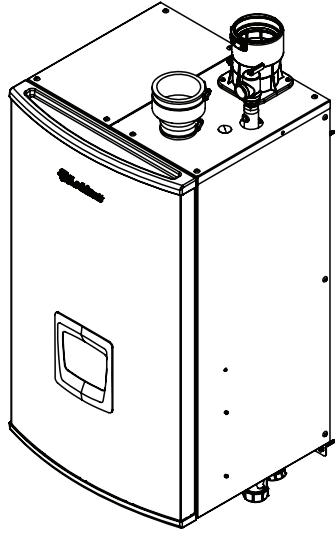
DIR# 2000541137 00

BOILER CONTROLS

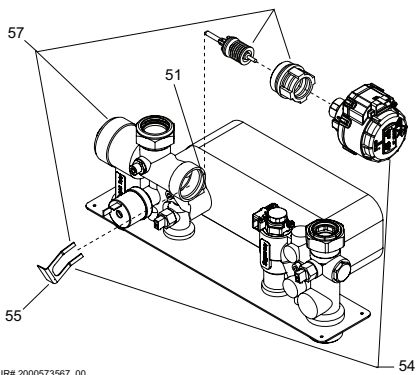


DIR# 2000541145 00

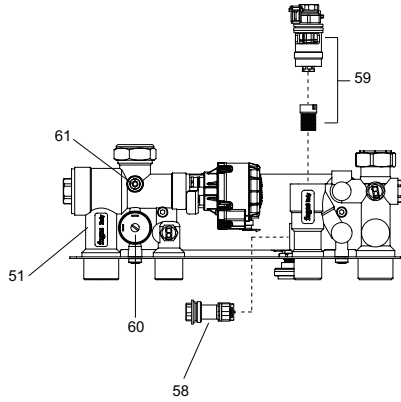
COMBI



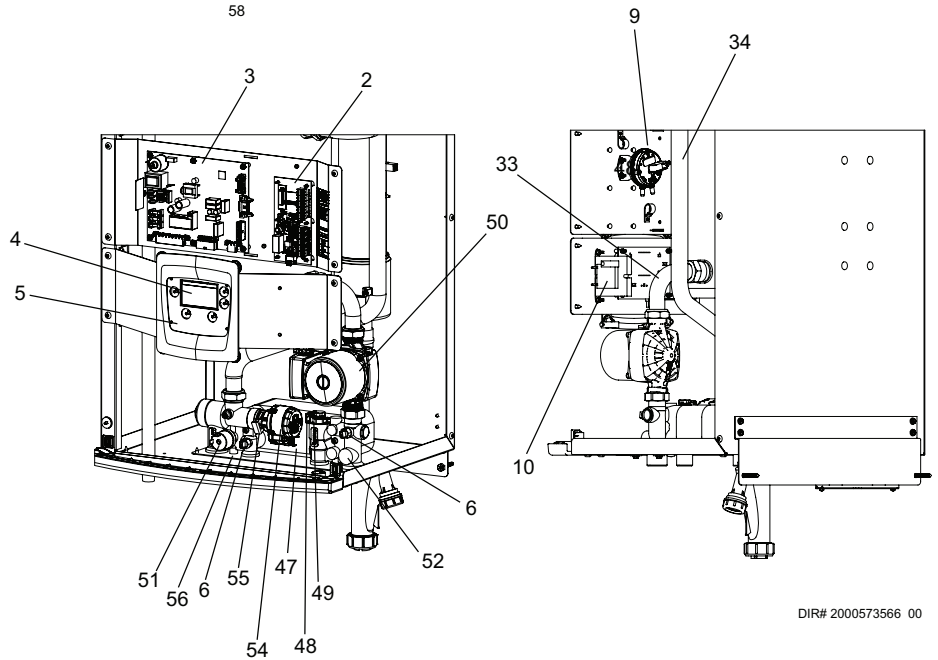
DIR# 2000534470 00



DIR# 2000573567 00



COMBI CONTROLS



DIR# 2000573566 00

ITEM NO.	PART NO.	DESCRIPTION	MODEL
HEAT EXCHANGER ASSEMBLIES			
1	100275478	HEAT EXCHANGER ASSEMBLY	NKB / NKC 110
1	100275479	HEAT EXCHANGER ASSEMBLY	NKB / NKC 150
1	100275480	HEAT EXCHANGER ASSEMBLY	NKB / NKC 199
1	100284352	HEAT EXCHANGER ASSEMBLY	NKB 080
CONTROLS			
2	100275502*	CONNECTION BOARD	NKC 110 - 199
2	100284350*	CONNECTION BOARD	NKB 080 - 199
3	100275507*	CONTROL BOARD, MAIN	NKC 110
3	100275508*	CONTROL BOARD, MAIN	NKC 150
3	100275510*	CONTROL BOARD, MAIN	NKC 199
3	100275522	CONTROL BOARD, MAIN - HIGH ALTITUDE	NKC 110
3	100275523	CONTROL BOARD, MAIN - HIGH ALTITUDE	NKC 150
3	100275524	CONTROL BOARD, MAIN - HIGH ALTITUDE	NKC 199
3	100284347*	CONTROL BOARD, MAIN	NKB 080 N
3	100339969	CONTROL BOARD, MAIN	NKB 080 L
3	100284346*	CONTROL BOARD, MAIN	NKB 110
3	100284345*	CONTROL BOARD, MAIN	NKB 150
3	100284344*	CONTROL BOARD, MAIN	NKB 199
3	100284342	CONTROL BOARD, MAIN - HIGH ALTITUDE	NKB 080 N
3	100339970	CONTROL BOARD, MAIN - HIGH ALTITUDE	NKB 080 L
3	100284341	CONTROL BOARD, MAIN - HIGH ALTITUDE	NKB 110
3	100284330	CONTROL BOARD, MAIN - HIGH ALTITUDE	NKB 150
3	100284328	CONTROL BOARD, MAIN - HIGH ALTITUDE	NKB 199
4	100275525	CONTROL BOARD, USER INTERFACE	ALL
5	100275526	LABEL, CONTROL OVERLAY	ALL
6	100208560*	SENSOR, INLET / DHW	ALL
7	100208547*	SENSOR, OUTLET / HIGH LIMIT	ALL
8	100275527*	SENSOR, FLUE W/ GROMMET	ALL
-	100208834	SENSOR, OUTDOOR AIR	ALL
9	100275596*	SWITCH, PRESSURE	ALL
10	100208230	TRANSFORMER - 24V, 40VA	ALL
GAS TRAIN			
11	100266999*	FAN ASSEMBLY W/ GASKET	NKB 080-150 / NKC 110-150
11	100318771*	FAN ASSEMBLY W/ GASKET	NKB / NKC 199
12	100208101*	GASKET, FAN	ALL
13	100275532	GAS VALVE ASSEMBLY W/ GASKET	ALL
14	100275533	SWITCH, GAS VALVE - ON/OFF	ALL
15	100275534	FLANGE, GAS VALVE W/ GASKET	ALL
16	100276451	ADAPTER, GAS VALVE W/ GASKET	NKB 080 - 110 / NKC 110
16	100275537	ADAPTER, GAS VALVE W/ GASKET	NKB / NKC 150
16	100276430	ADAPTER, GAS VALVE W/ GASKET	NKB / NKC 199
17	100275538	GASKET, GAS VALVE ADAPTER	ALL
18	100275539	VENTURI, NAT.	NKB 080 - 110 / NKC 110 N
18	100284322	VENTURI, NAT.	NKB / NKC 150 N
18	100275540	VENTURI, NAT	NKB / NKC 199 N
18	100339889	LP CONVERSION KIT	NKB 080 L
18	100339957	LP CONVERSION KIT - HIGH ALTITUDE	NKB 080 L
18	100275546	LP CONVERSION KIT	NKB / NKC 110 L
18	100275548	LP CONVERSION KIT (PRIOR TO SERIAL #1837)	NKB / NKC 150 L
18	100275549	LP CONVERSION KIT	NKB / NKC 199 L
19	100284309*	GASKET, VENTURI O-RING	NKB 080-150 / NKC 110-150
19	100208761*	GASKET, VENTURI O-RING	NKB / NKC 199
20	100275550	COUPLING, VENTURI W/ CLAMPS	ALL
21	100275561	COUPLING, AIR INLET	ALL
-	100309805	LP CONVERSION KIT (BEGINNING SERIAL #1837)	NKC 150 L
PILOT AND BURNER ASSEMBLIES			
22	100275562*	KIT, IGNITOR W/ GASKET & SCREWS	ALL
23	100208086	GASKET, IGNITOR	ALL
24	100189215	KIT, SIGHT GLASS W/ GASKETS	ALL

PLEASE HAVE MODEL AND SERIAL NUMBER WHEN ORDERING PARTS
*ITEMS DENOTE SUGGESTED INVENTORY PARTS

ITEM NO.	PART NO.	DESCRIPTION	MODEL
PILOT AND BURNER ASSEMBLIES (CONTINUED)			
25	100275564	GASKET, SIGHT GLASS, WHITE	ALL
26	100274751	GASKET, SIGHT GLASS, RED	ALL
27	100284307**	HEAT EXCHANGER TOP PLATE ASSEMBLY	NKB 080
27	100275567**	HEAT EXCHANGER TOP PLATE ASSEMBLY	NKB / NKC 110
27	100275568**	HEAT EXCHANGER TOP PLATE ASSEMBLY	NKB / NKC 150
27	100275569**	HEAT EXCHANGER TOP PLATE ASSEMBLY	NKB / NKC 199
28	100284305	GASKET, HEAT EXCHANGER TOP PLATE	NKB 080
28	100275572	GASKET, HEAT EXCHANGER TOP PLATE	NKB / NKC 110
28	100275573	GASKET, HEAT EXCHANGER TOP PLATE	NKB / NKC 150
28	100275575	GASKET, HEAT EXCHANGER TOP PLATE	NKB / NKC 199
29	100284303*	BURNER W/ GASKET	NKB 080
29	100275577*	BURNER W/ GASKET	NKB / NKC 110
29	100275578*	BURNER W/ GASKET	NKB / NKC 150
29	100275580*	BURNER W/ GASKET	NKB / NKC 199
30	100284302	GASKET, BURNER	NKB 080
30	100275582	GASKET, BURNER	NKB / NKC 110
30	100275583	GASKET, BURNER	NKB / NKC 150 - 199
31	100284290	INSULATION, TOP PLATE	NKB 080
31	100275584	INSULATION, TOP PLATE	NKB / NKC 110
31	100275585	INSULATION, TOP PLATE	NKB / NKC 150
31	100275586	INSULATION, TOP PLATE	NKB / NKC 199
MISCELLANEOUS			
32	100275587	RELIEF VALVE, 50 PSI	ALL NKC
32	100284289	RELIEF VALVE, 30 PSI	ALL NKB
33	100284288	WATER TUBE, INLET	NKB 080 - 199
33	100275588	WATER TUBE, INLET - COMBI	NKC 110 - 199
34	100284287	WATER TUBE, OUTLET	NKB 080 - 199
34	100275589	WATER TUBE, OUTLET - COMBI	NKC 110 - 199
-	100319654	GASKET SET, WATER TUBE	ALL
-	100284286*	CONDENSATE TRAP ASSEMBLY	ALL
35	100275599	FLUE CONNECTION PIPE, 3" CPVC	ALL
36	100275600	FLUE ADAPTER, 3" PVC W/ ANALYZER PORT	ALL
-	100285280	GASKET, FLUE ADAPTER, 80 MM	ALL
-	100284240	SHUTTER, AIR - LP	NKB 080 L
-	100284239	SHUTTER, AIR - LP	NKB / NKC 110 L
-	100284238	SHUTTER, AIR - LP (PRIOR TO SERIAL #1837)	NKB / NKC 150 L
-	100309807	SHUTTER, AIR - LP (BEGINNING SERIAL #1837)	NKB / NKC 150 L
-	100284236	HARNESS, UNIT	NKB 080 - 199
-	100284237	SHUTTER, AIR (LP ONLY)	NKB / NKC 199 L
-	100275616	HARNESS, MAIN UNIT	NKC 110 - 199
-	100275604	HARNESS, POWER - COMBI	NKC 110 - 199
-	100284235	HARNESS, POWER	NKB 080 - 199
-	100284234	HARNESS, SPARK IGNITOR	ALL
-	100275606	HARNESS, CONNECTION BOARD	ALL
-	100312423	RIBBON CABLE	ALL
-	100286123	OUTLET, LWCO, AIR VENT AUTO	ALL
37	100278305	COMBUSTION ANALYZER PORT COVER	ALL
38	100342701	FLUE COLLECTOR W/ GASKET	NKB 080
38	100341395	FLUE COLLECTOR W/ GASKET	NKB / NKC 110
38	100341396	FLUE COLLECTOR W/ GASKET	NKB / NKC 150
38	100341397	FLUE COLLECTOR W/ GASKET	NKB / NKC 199
39	100342702	GASKET, FLUE COLLECTOR	NKB 080
39	100341398	GASKET, FLUE COLLECTOR	NKB / NKC 110
39	100341399	GASKET, FLUE COLLECTOR	NKB / NKC 150
39	100341400	GASKET, FLUE COLLECTOR	NKB / NKC 199
PLEASE HAVE MODEL AND SERIAL NUMBER WHEN ORDERING PARTS			
*ITEMS DENOTE SUGGESTED INVENTORY PARTS			

ITEM NO.	PART NO.	DESCRIPTION	MODEL
JACKET ASSEMBLIES			
40	100275609	KIT, DISPLAY BEZEL W/ CLIPS	ALL
41	100275610	KIT, BEZEL BRACKET W/ CONTROL OVERLAY LABEL	NKB 080 - 199 / NKC 110
41	100275631	KIT, BEZEL BRACKET W/ CONTROL OVERLAY LABEL	NKC 150 - 199
42	100284105	JACKET, OUTER FRONT DOOR ASSEMBLY	ALL
42	100275637	JACKET, OUTER FRONT DOOR ASSEMBLY	NKC 110
42	100275638	JACKET, OUTER FRONT DOOR ASSEMBLY	NKC 150 - 199
-	100284114	JACKET, OUTER TOP FRONT	NKB 080
-	100284113	JACKET, OUTER TOP FRONT	NKB 110
-	100275632	JACKET, OUTER TOP FRONT	NKC 110
-	100284111	JACKET, OUTER TOP BACK	NKB 080
-	100284110	JACKET, OUTER TOP BACK	NKB 110
43	100284109	JACKET, OUTER TOP, LEFT	NKB 150
43	100275633	JACKET, OUTER TOP - LEFT	NKC 150 - 199
44	100284107	JACKET, OUTER TOP - RIGHT	NKB 150
44	100318329	JACKET, OUTER TOP - RIGHT	NKB 199
44	100275634	JACKET, OUTER TOP - RIGHT	NKC 150
44	100275635	JACKET, OUTER TOP - RIGHT	NKC 199
45	100284104	JACKET, OUTER LEFT SIDE	NKB 080
45	100284103	JACKET, OUTER LEFT SIDE	NKB 110 - 199
45	100275639	JACKET, OUTER LEFT SIDE	NKC 110 - 199
46	100275640	JACKET, OUTER RIGHT SIDE	NKC 110 - 199
46	100284102	JACKET, OUTER RIGHT SIDE	NKB 080
46	100284101	JACKET, OUTER RIGHT SIDE	NKB 110 - 199
COMBI WATERSET COMPONENTS			
47	100275501	HEAT EXCHANGER ASSEMBLY, BRAZED PLATE	NKC 110 - 199
48	100275528*	SENSOR, FLOW	NKC 110 - 199
49	100278304*	SWITCH, FLOW W/ GREASE COMPOUND	NKC 110 - 199
50	100275607*	PUMP ASSEMBLY W/ GASKETS	NKC 110 - 199
51	100318269	FLOW GROUP W/ GASKETS, OUTLET PIPE, UNIT HARNESS (PRIOR TO SERIAL #1919)	NKC 110 - 199
51	100318322	FLOW GROUP W/ GASKETS (BEGINNING SERIAL #1919)	NKC 110 - 199
52	100275592	RETURN GROUP W/ GASKETS	NKC 110 - 199
53	100275593	GASKET, HEX TO FLOW GROUP	NKC 110 - 199
54	100275594	DIVERTER MOTOR W/ CLIP	NKC 110 - 199
55	100276429	CLIP, DIVERTER MOTOR	NKC 110 - 199
-	100275598	HOSE, CONDENSATE TRAP	NKC 110 - 199
56	100276452	MOUNTING PLATE, WATERSET	NKC 110 - 199
57	100278302	DIVERTER MOTOR ASSEMBLY	NKC 110 - 199
58	100278303	BYPASS ASSEMBLY	NKC 110 - 199
59	100278304	SWITCH, FLOW W/ GREASE COMPOUND (EXPLODED VIEW)	NKC 110 - 199
60	100318326	WATER PRESSURE SWITCH	NKC 110 - 199
61	100318328	PLUG W/ O-RING	NKC 110 - 199

PLEASE HAVE MODEL AND SERIAL NUMBER WHEN ORDERING PARTS
*ITEMS DENOTE SUGGESTED INVENTORY PARTS

Notes

