

For Residential and Commercial Applications

Job Name		Engineer / Architect	
Job Location		Wholesaler	
Submittal Date		Contractor	

AU1 Female Gas Adapter - Male Flare x Female Iron Pipe

Use: For use with natural, manufactured, mixed, liquefied petroleum gases and LP gas-air mixtures.

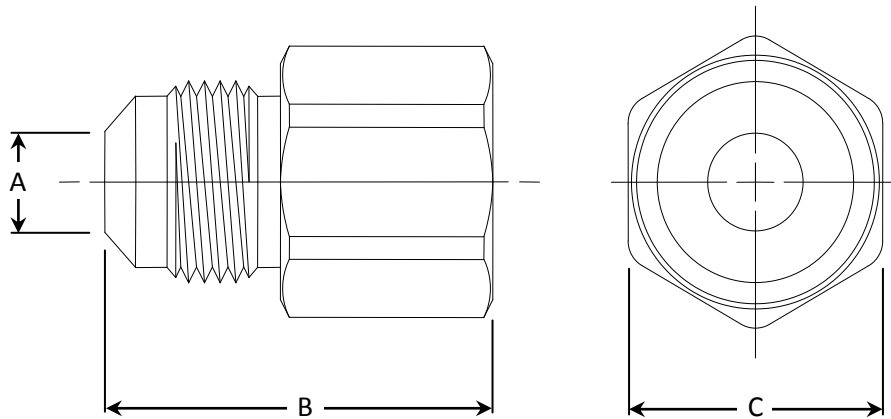
Operating Specifications:

Temperature: -40° to 150° F

Pressure: 1/2 psi maximum

MATERIAL SPECIFICATIONS	
Brass Fittings	Brass
Steel Fittings	Blue zinc plated steel

PART DIMENSIONS (Inches)			
Model	DIA. A	DIM. B	DIM. C
AU1-8	0.438	1.53	15/16
AU1-6-8	0.312	1.47	15/16
AU1-6	0.312	1.37	3/4



Brass Models



Part Listing:

- AU1-8S 1/2" OD Flare x 1/2" F.I.P., steel
- AU1-6-8 3/8" OD Flare x 1/2" F.I.P., brass
- AU1-6-8S 3/8" OD Flare x 1/2" F.I.P., steel
- AU1-6-8S B 3/8" OD Flare x 1/2" F.I.P., steel, bulk packed
- AU1-6S 3/8" OD Flare x 3/8" F.I.P., steel

Listings & Certifications:

- For use with CSA listed ANSI Z21.24 / CSA 6.10 connectors
- For use with CSA listed ANSI Z21.75 / CSA 6.27 connectors

This specification and all information contained herein is the confidential and exclusive property of BrassCraft Manufacturing, and shall not be disclosed to others without the written consent of BrassCraft. This specification must be returned to BrassCraft if requested.

