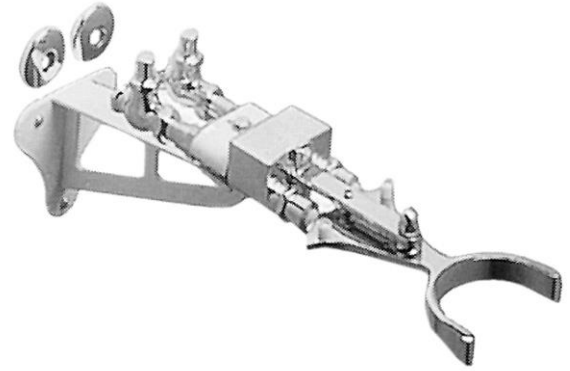


**PRODUCT SPECIFICATIONS**

Elkay Knee Action Valve with Mounting Package.

<b>Finish:</b>	Chrome (CR)
<b>Shipping Weight:</b>	14 lbs.

- Chrome plated.
- Knee-operated valve.
- Wall mount.
- 1/2" female I.P.S. inlets and 3/8" I.P.S. spout outlet, with enameled iron wall bracket and mounting package.
- Mounting package includes 2 stops, 2 valves and 2 wall flanges.

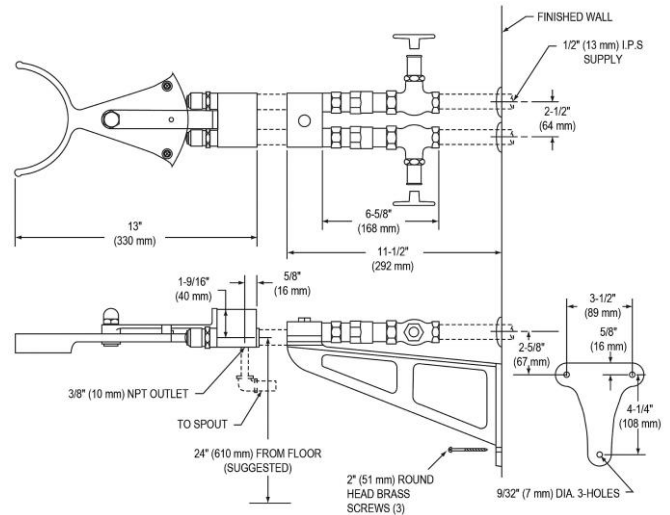


**A Century of Tradition and Quality.**

For more than 100 years, Elkay has been making innovative products and providing exceptional customer care. We take pride in offering plumbing products that make life easier, inspire change and leave the world a better place.

[Clean and Care Manual \(PDF\)](#)

[Warranty \(PDF\)](#)



PART: \_\_\_\_\_ QTY: \_\_\_\_\_

PROJECT: \_\_\_\_\_

CONTACT: \_\_\_\_\_

DATE: \_\_\_\_\_

NOTES: \_\_\_\_\_

APPROVAL: \_\_\_\_\_

*In keeping with our policy of continuing product improvement, Elkay reserves the right to change product specifications without notice. Please visit [elkay.com](http://elkay.com) for the most current version of Elkay product specification sheets. This specification describes an Elkay product with design, quality, and functional benefits to the user. When making a comparison of other producers' offerings, be certain these features are not overlooked.*