

PRODUCT SPECIFICATIONS

Elkay 4"-8-3/8" Adjustable Centers Wall Mount Faucet with Bucket Hook Spout 2" Lever Handles Rough Chrome. Faucet has a flow rate of 2.2 GPM, and is made of Chrome-plated Brass material, with a Brass Stem Assembly valve. Faucet requires 2 faucet holes.

Mounting Type:	Wall Mount
Special Features:	Adjustable Hole Spread
Finish:	Chrome (CR)
Handle Type:	Lever Handle
Spout Reach:	5-1/2"
Spout Height:	3-1/2"
Hole Drillings:	2
Material:	Chrome-plated Brass
Valve Type:	Brass Stem Assembly
Valve Connection:	3/8" Female Compression Hose Assembly
Flow Rate:	2.2 GPM
Faucet Hole Size (min):	1-1/2"
Faucet Hole Spread:	4
Spout Swing Rotation:	0°
Spout Type:	Bucket Hook



Chrome (CR)



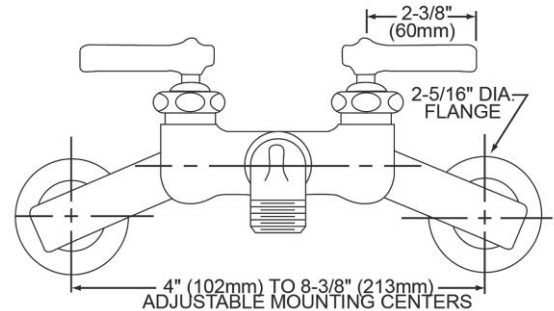
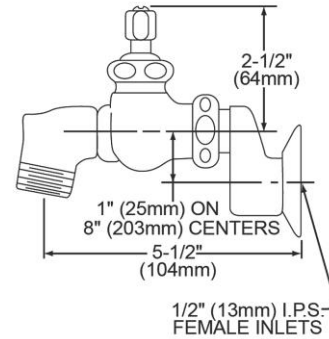
A Century of Tradition and Quality.
For more than 100 years, Elkay has been making innovative products and providing exceptional customer care. We take pride in offering plumbing products that make life easier, inspire change and leave the world a better place.

Product Compliance: ADA & ICC A117.1
ASME A112.18.1/CSA B125.1
NSF 61 (Q≤1)




Complies with ADA & ICC A117.1 accessibility requirements when installed according to the requirements outlined in these standards.

[Clean and Care Manual \(PDF\)](#)
[Installation Instructions \(PDF\) - A55483](#)
[Warranty \(PDF\)](#)

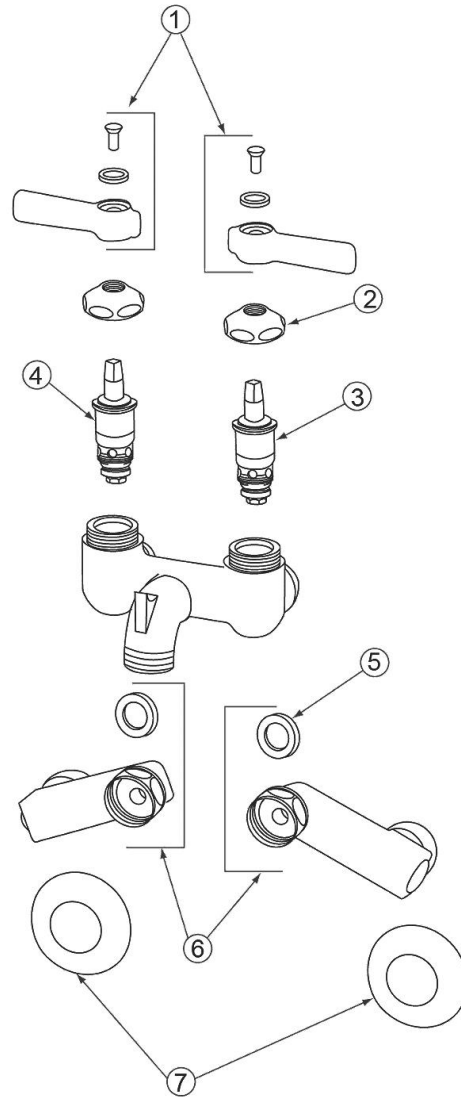


PART: _____ QTY: _____
 PROJECT: _____
 CONTACT: _____
 DATE: _____
 NOTES: _____
 APPROVAL: _____

In keeping with our policy of continuing product improvement, Elkay reserves the right to change product specifications without notice. Please visit elkay.com for the most current version of Elkay product specification sheets. This specification describes an Elkay product with design, quality, and functional benefits to the user. When making a comparison of other producers' offerings, be certain these features are not overlooked.

Optional Accessories		
LKMK462	Elkay 90 Degree Mounting Kit Spec Sheet (PDF)	

In keeping with our policy of continuing product improvement, Elkay reserves the right to change product specifications without notice. Please visit elkay.com for the most current version of Elkay product specification sheets. This specification describes an Elkay product with design, quality, and functional benefits to the user. When making a comparison of other producers' offerings, be certain these features are not overlooked.



Item Number	Number Required	Part Number	Part Description
1	2	72001912	Lever Handle Assembly
2	2	72000554	Cap
3	1	72000149	RH Cartridge
4	1	72000150	LH Cartridge
5	2	72000756	Washer
6	2	72002021	Arm Assembly
7	2	72000548	Flange

In keeping with our policy of continuing product improvement, Elkay reserves the right to change product specifications without notice. Please visit elkay.com for the most current version of Elkay product specification sheets. This specification describes an Elkay product with design, quality, and functional benefits to the user. When making a comparison of other producers' offerings, be certain these features are not overlooked.