



# McAllister®

## Under-Mount Kitchen Sink

### 11406

#### Features

- No faucet holes; requires wall- or counter-mount faucet.
- 8-1/16" (203 mm) depth.
- 3-5/8" (92 mm) drain opening.
- Stainless steel with luster finish.

#### Material

- Premium 20-gauge stainless steel.

#### Installation

- Undermount.

#### Recommended Products/Accessories

7400 Sink Strainer  
11861 Sink Rack  
K-6139 Sponge Caddy  
K-23726 Drain treatment  
K-23729 Stainless steel cleaner

#### Included Components

Product consists of:

91915 Hardware Kit

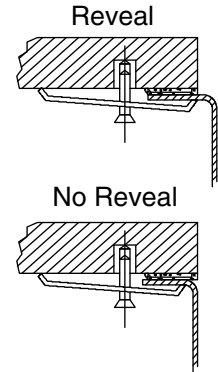
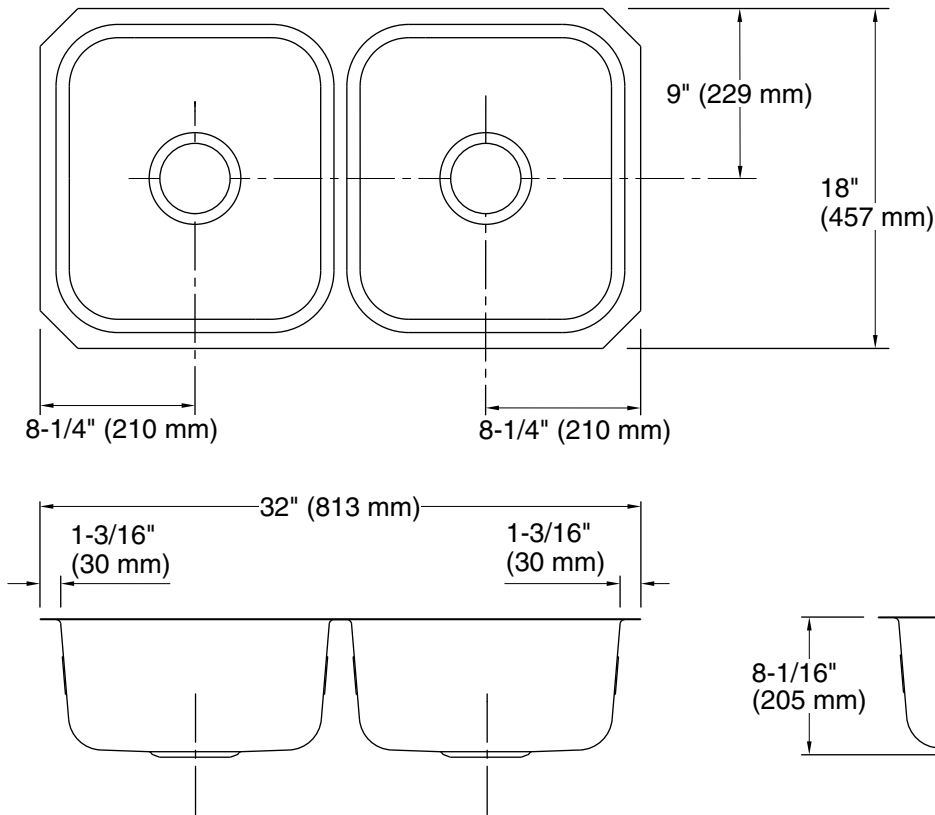


#### Codes/Standards

ASME A112.19.3/CSA B45.4

#### STERLING® Warranty - Stainless Steel Sinks

See website for detailed warranty information.



Mounting bracket assembly provides a secure installation.

### Technical Information

All product dimensions are nominal.

Bowl configuration: Double equal

Installation: Under-mount

Min. base cabinet width: 36" (914 mm)

Bowl area (Left): Length: 14-1/8" (359 mm)  
Width: 15-3/4" (400 mm)  
Bowl depth: 8-1/16" (205 mm)  
Water depth: 8-1/16" (205 mm)

Bowl area (Right): Length: 14-1/8" (359 mm)  
Width: 15-3/4" (400 mm)  
Bowl depth: 8-1/16" (205 mm)  
Water depth: 8-1/16" (205 mm)

Drain hole: 3-5/8" (92 mm)

Template: 1315846-7, required, included

### Notes

Install this product according to the installation instructions.

Measure your actual product for roughing-in details.

Use the supplied cut-out template to select either a hidden or exposed rim.

Minimum base cabinet width: 33"-36" (33" cabinet may require cabinet modifications). Consult an installer for confirmation before proceeding.