

# CSBBRS3EG

## Branch Line Restraint, Structural Attachment Fitting with 3/8"-16 male thread

NA Part Number	EU Article Number	Rod Size	UL® Load Rating	FM® Load Rating			Orientation
				45° - 59°	60° - 74°	75° - 90°	
CSBBRS3EG	---	3/8", 1/2"	425 lbs (1891N)	310 lbs (1380N)	190 lbs (845N)	210 lbs (935N)	N/A
CSBBRS3MEG	402241	M10, M12					
CSBBRS3EG W/3000037 (XX)	---	3/8", 1/2"	*	170 lbs (755N)	210 lbs (935N)	230 lbs (1025N)	Lateral
CSBBRS3MEG W/3000037 (XX)	402241 W/386820	M10, M12	*	200 lbs (890N)	230 lbs (1025N)	260 lbs (1155N)	Longitudinal

Rod Size	Root Dia.	Least Radius of Gyration r	Maximum Unbraced Length (L)			
			L/r = 100	L/r = 200	L/r = 300	L/r = 400*
3/8"	0.300"	0.075"	7"	14"	22"	30"
M10	7.94mm	1.99mm	198mm	397mm	595mm	794mm
1/2"	0.404"	0.101"	10"	20"	30"	40"
M12	9.60mm	2.40mm	240mm	480mm	720mm	960mm

Reference: NFPA®13, (2007)

\*Reference: NFPA13, (2010)

3/8" Rod	Brace Orientation
300 lbs (1334N)	Parallel to Structure
300 lbs (1334N)	Perpendicular to Structure
425 lbs (1891N)	Vertically Downward from Structure

1/2" Rod	Brace Orientation
300 lbs (1334N)	Parallel to Structure
525 lbs (2335N)	Perpendicular to Structure
425 lbs (1891N)	Vertically Downward from Structure

**WARNING:**

1. ERICO products shall be installed and used only as indicated in ERICO product instruction sheets and training materials. Instruction sheets are available at [www.erico.com](http://www.erico.com) and from your ERICO customer service representative.
2. ERICO products must never be used for a purpose other than the purpose for which they were designed or in a manner that exceeds specified load ratings.
3. All instructions must be completely followed to ensure proper and safe installation and performance.
4. Improper installation, misuse, misapplication or other failure to completely follow ERICO's instructions and warnings may cause product malfunction, property damage, serious bodily injury and death.
5. Products that are manufactured using spring steel components shall be used only in a non-corrosive indoor environment.
6. All pipe supports, hangers, intermediate components and structural attachments must ONLY be used as described herein and are NEVER to be used for any other purpose.

NOTE: All load ratings are for static conditions and do not account for dynamic loading such as wind, water or seismic loads, unless otherwise noted.

The customer is responsible for:

- a. Conformance to all governing codes.
- b. The integrity of structures to which the products are attached, including their capability of safely accepting the loads imposed, as evaluated by a qualified engineer.
- c. Using appropriate industry standard hardware as noted above.

**SAFETY INSTRUCTIONS:**

All governing codes and regulations and those required by the job site must be observed. Always use appropriate safety equipment such as eye protection, hard hat, and gloves as appropriate to the application.

FM is a registered certification mark of FM Approvals LLC, LTD.  
NFPA is a registered trademark of National Fire Protection Association, Inc.  
UL is a registered trademark of UL LLC.

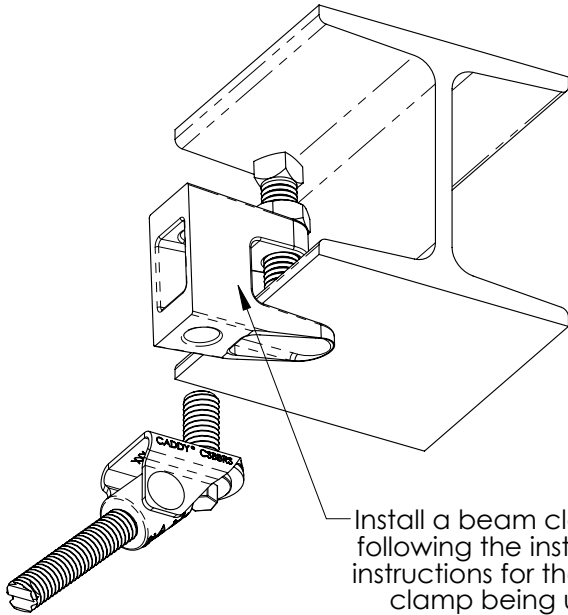
CADDY, CADWELD, CRITEC, ERICO, ERIFLEX, ERITECH, and LENTON are registered trademarks of ERICO International Corporation.



# CSBBS3EG

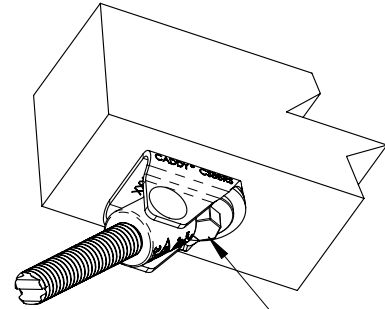
## Branch Line Restraint, Structural Attachment Fitting with 3/8"-16 male thread

1. Orient part in direction needed for installation.
2. Install using a 5/16" [8mm] hex head socket or wrench to a minimum of 70 in/lbs [7.9Nm].



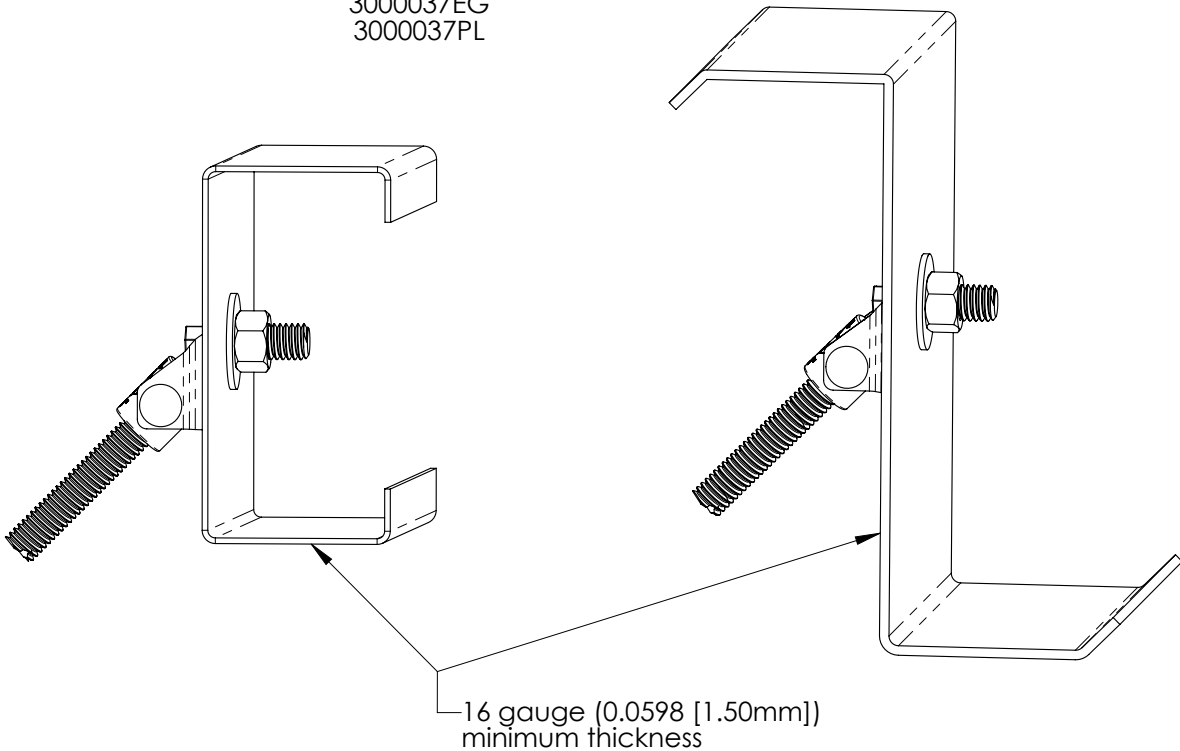
Install a beam clamp by following the installation instructions for the beam clamp being used.

ERICO Beam Clamps  
3000037EG  
3000037PL



Fitting with Powers-Snake+ or equivalent female threaded, pre-set anchor in concrete.

This is typical for all concrete installations shown elsewhere within this instruction sheet.



16 gauge (0.0598 [1.50mm]) minimum thickness

Branch Line Restraint are intended to be installed in accordance with NFPA®-13 and manufacturer's installation instructions.



CADDY, CADWELD, CRITEC, ERICO, ERIFLEX, ERITECH, and LENTON are registered trademarks of ERICO International Corporation.

TECHNICAL SUPPORT:  
[www.erico.com](http://www.erico.com)

CFS451\_E

2 OF 6

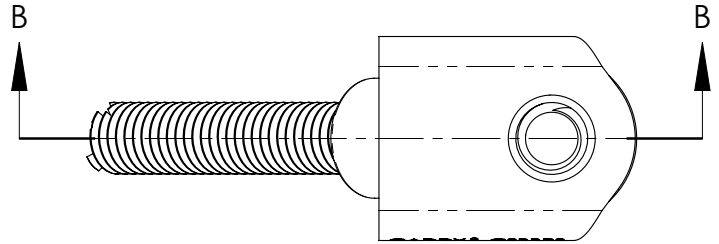
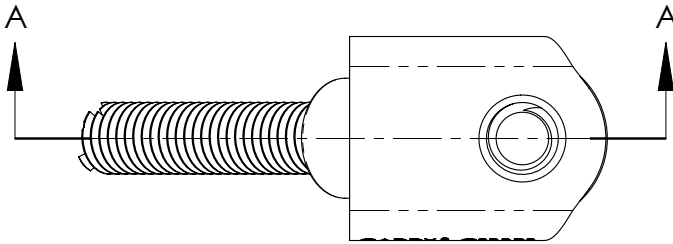
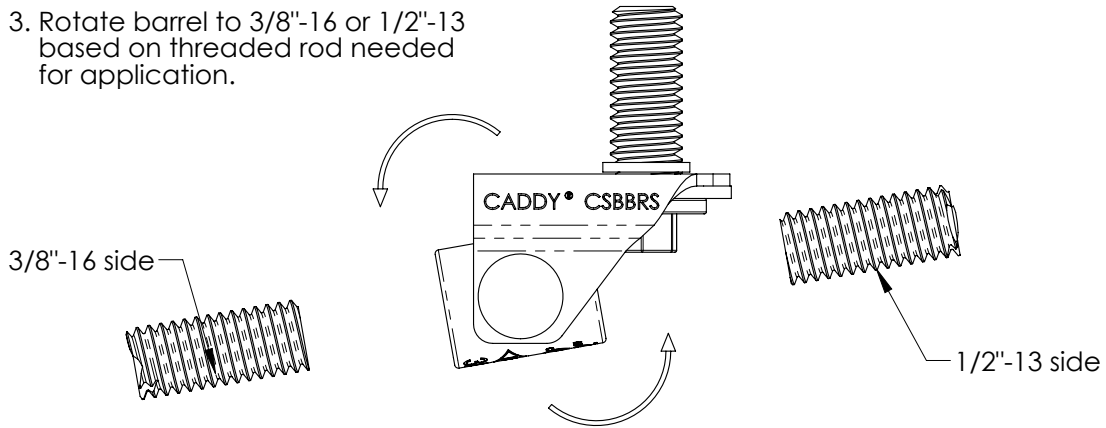
© 2011, 2012, 2013 ERICO International Corporation.



# CSBBRS3EG

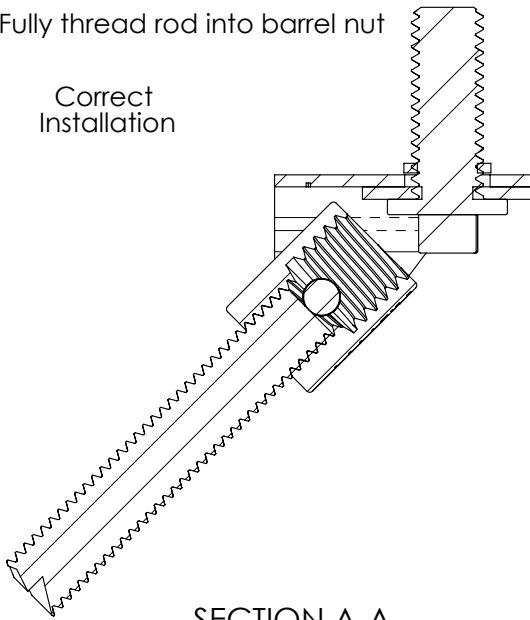
## Branch Line Restraint, Structural Attachment Fitting with 3/8"-16 male thread

3. Rotate barrel to 3/8"-16 or 1/2"-13 based on threaded rod needed for application.



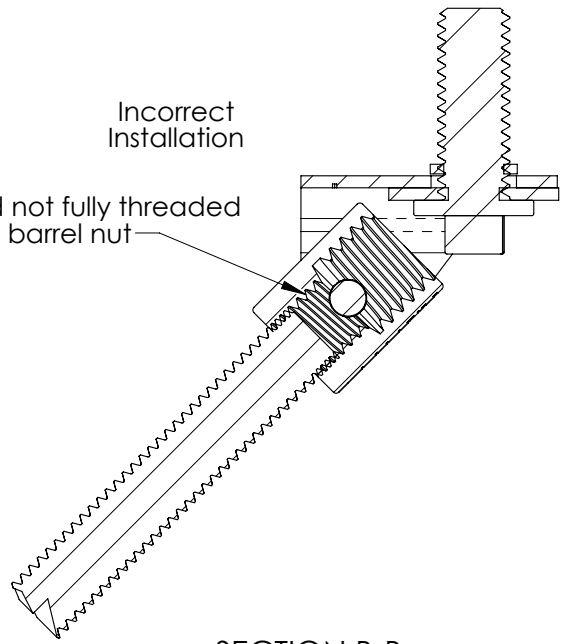
4. Fully thread rod into barrel nut

Correct Installation



Incorrect Installation

Rod not fully threaded into barrel nut



CADDY, CADWELD, CRITEC, ERICO, ERIFLEX, ERITECH, and LENTON are registered trademarks of ERICO International Corporation.

TECHNICAL SUPPORT:  
www.erico.com

CFS451\_E

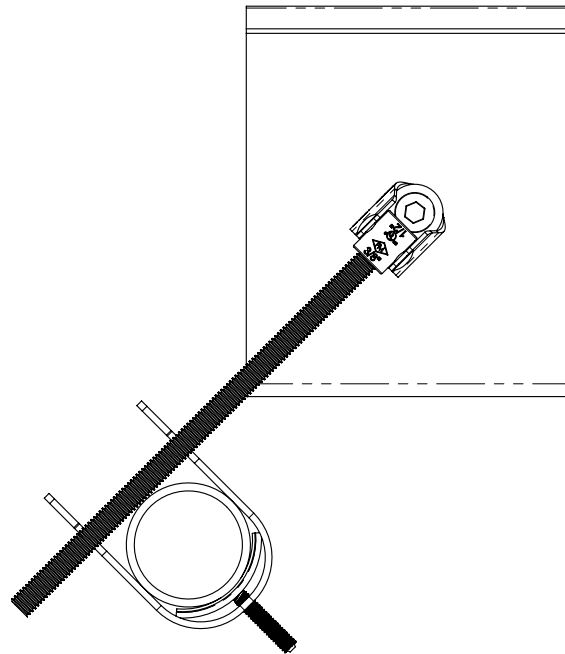
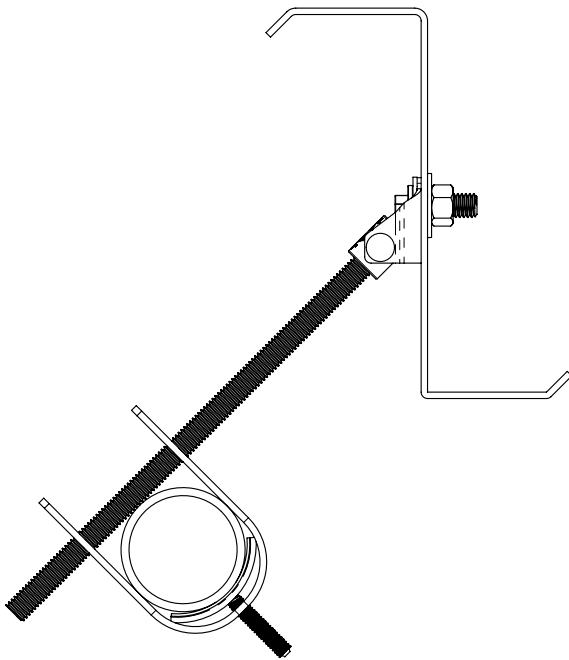
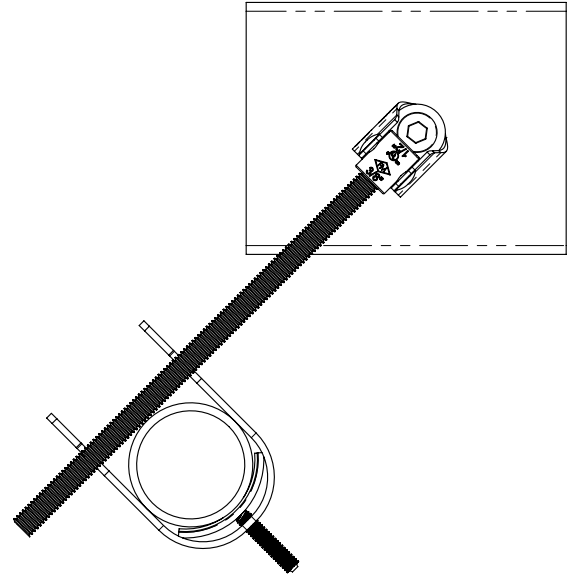
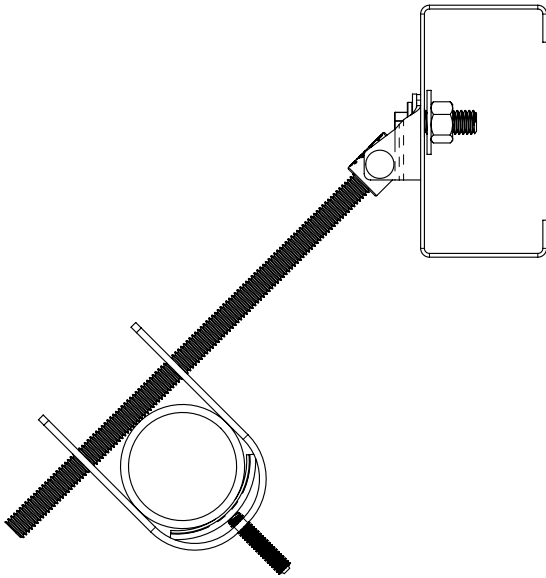
3 OF 6

© 2011, 2012, 2013 ERICO International Corporation.



# CSBBRS3EG

## Branch Line Restraint, Structural Attachment Fitting with 3/8"-16 male thread



This product is intended to be used as a restraint and not a hanger.



CADDY, CADWELD, CRITEC, ERICO, ERIFLEX, ERITECH, and LENTON are registered trademarks of ERICO International Corporation.

TECHNICAL SUPPORT:  
[www.erico.com](http://www.erico.com)

CFS451\_E

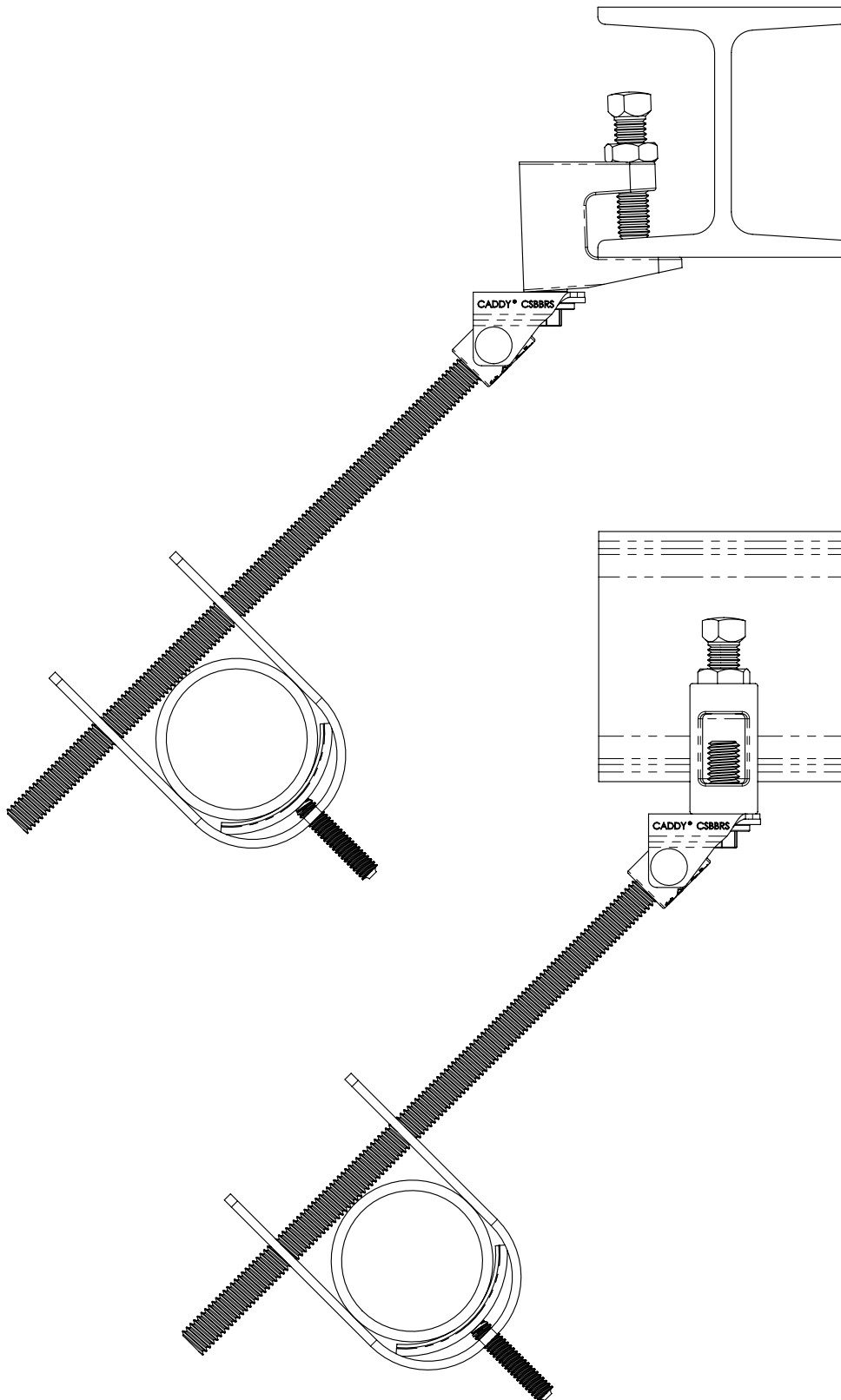
4 OF 6

© 2011, 2012, 2013 ERICO International Corporation.



# CSBBRS3EG

Branch Line Restraint, Structural Attachment Fitting  
with 3/8"-16 male thread



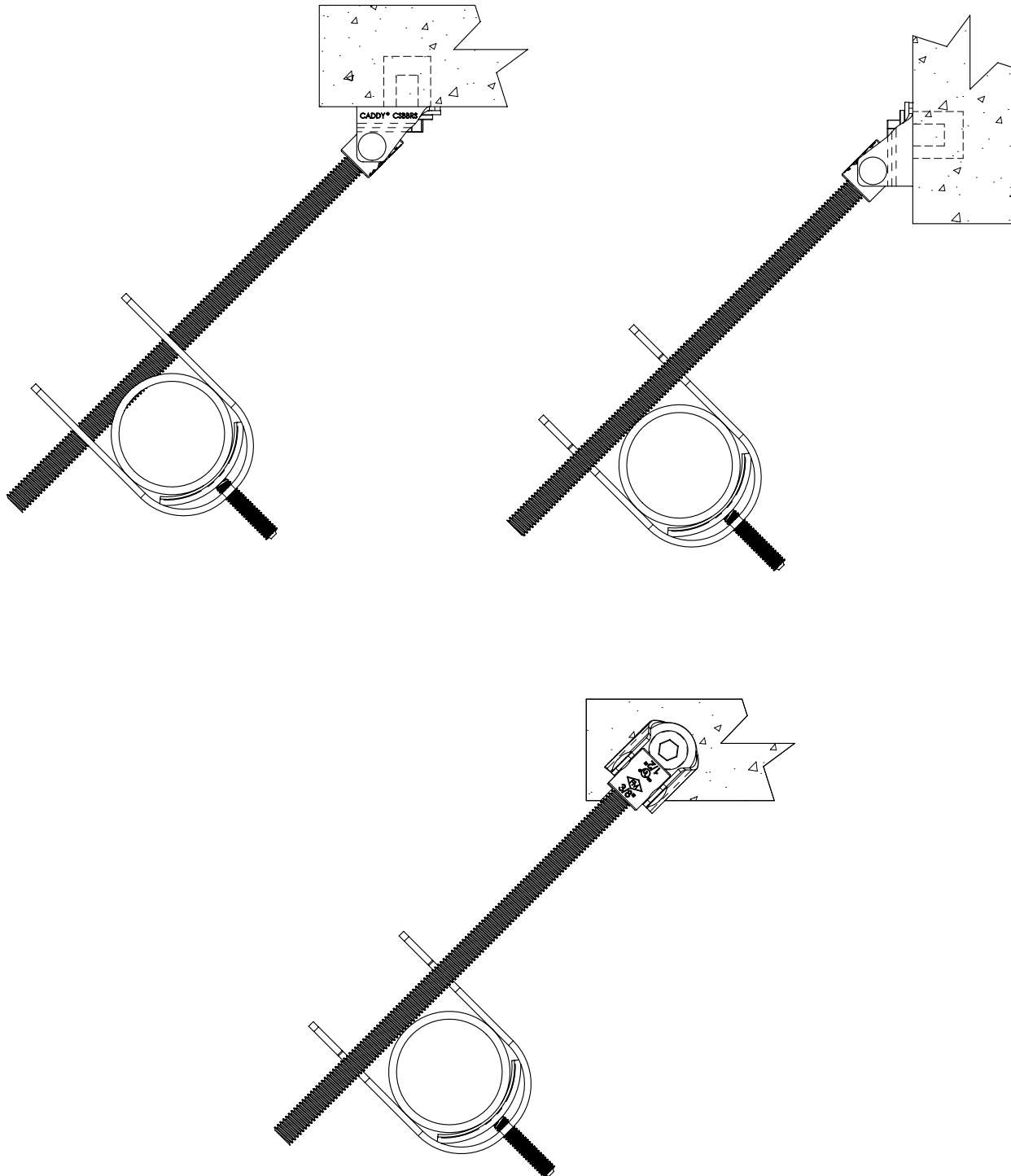
This product is intended to be used as a restraint and not a hanger.

CADDY, CADWELD, CRITEC, ERICO, ERIFLEX, ERITECH, and LENTON are registered trademarks of ERICO International Corporation.



# CSBBRS3EG

## Branch Line Restraint, Structural Attachment Fitting with 3/8"-16 male thread



This product is intended to be used as a restraint and not a hanger.



CADDY, CADWELD, CRITEC, ERICO, ERIFLEX, ERITECH, and LENTON are registered trademarks of ERICO International Corporation.

TECHNICAL SUPPORT:  
[www.erico.com](http://www.erico.com)

CFS451\_E

6 OF 6

© 2011, 2012, 2013 ERICO International Corporation.

