



## BRANCH LINE RESTRAINT STRUCTURE ATTACHMENT TO THREADED HOLE, 3/8", 1/2" ROD

### CATALOG NUMBER

**CSBBRS3EG**



### CERTIFICATIONS



### FEATURES

Swivel barrel nut accepts 3/8" or 1/2" (M10 or M12) threaded rod

Attaches to concrete anchors or structural attachments with female threads

Can be used for bolting through steel-

### PRODUCT ATTRIBUTES

Material: Steel

Finish: Electrogalvanized

Rod Size: 3/8";1/2"

Height: 1.11"

Length: 1.59"

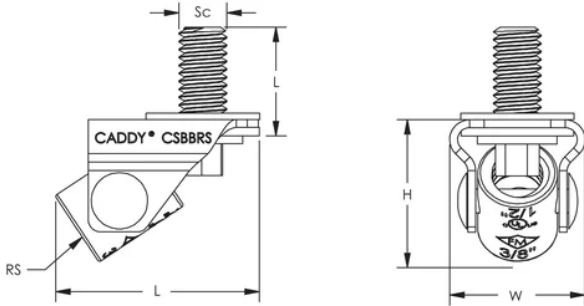
Width: 1.06"

Screw Diameter: 3/8"

## ADDITIONAL PRODUCT DETAILS

Branch line structural attachments are for restraint only and not for the hanging of fire sprinkler piping.

## DIAGRAMS



## WARNING

nVent products shall be installed and used only as indicated in nVent's product instruction sheets and training materials. Instruction sheets are available at [www.nvent.com](http://www.nvent.com) and from your nVent customer service representative. Improper installation, misuse, misapplication or other failure to completely follow nVent's instructions and warnings may cause product malfunction, property damage, serious bodily injury and death and/or void your warranty.

### North America

+1.800.753.9221  
Option 1 – Customer Care  
Option 2 – Technical Support

### Europe

Netherlands:  
+31 800-0200135  
France:  
+33 800 901 793

### Europe

Germany:  
800 1890272  
Other Countries:  
+31 13 5835404

### APAC

Shanghai:  
+ 86 21 2412 1618/19  
Sydney:  
+61 2 9751 8500



Our powerful portfolio of brands:  
**nVent.com CADDY ERICO HOFFMAN RAYCHEM SCHROFF**  
**TRACER**