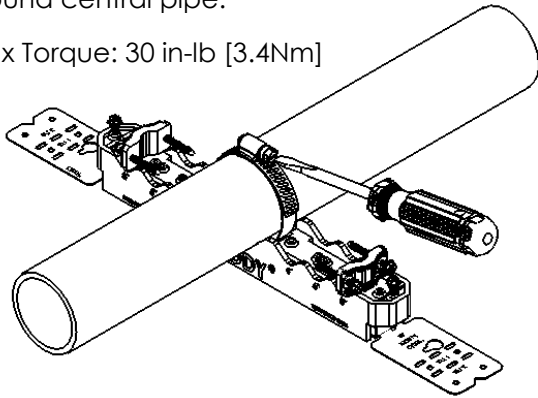


Plumbing Pre-Fab Bracket Adjustable Plastic Plumbing Support

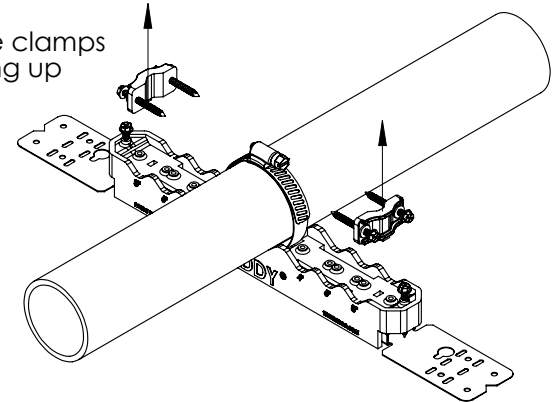
Part Number	Article Number	Description	Stud Spacing	Central pipe dia. range	Supply pipe dia.	
			in [mm]	in [mm]	CT & IP	DN
PFB1624	403100	Telescoping Plumbing Prefab Bracket	15.75-25 [400-635]	1.9-4.5 [48-114]	1/2 - 3/4	15-20
PFBNB	403104	Plumbing Prefab Bracket	-	1.9-4.5 [48-114]	1/2 - 3/4	15-20
PFBC	403106	Plumbing Prefab Bracket Clamp	-	-	1/2 - 3/4	15-20

1 Tighten hose clamp around central pipe.

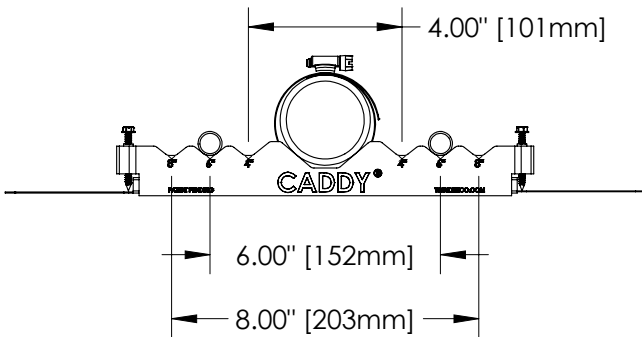
Max Torque: 30 in-lb [3.4Nm]



2 Remove clamps by pulling up

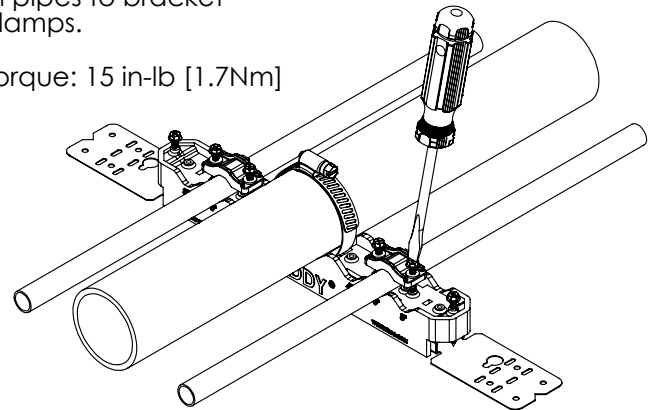


3 Place supply pipes in appropriate locations



4 Fasten pipes to bracket with clamps.

Max torque: 15 in-lb [1.7Nm]



WARNING:

1. ERICO products shall be installed and used only as indicated in ERICO product instruction sheets and training materials. Instruction sheets are available at www.erico.com and from your ERICO customer service representative.
2. ERICO products must never be used for a purpose other than the purpose for which they were designed or in a manner that exceeds specified load ratings.
3. All instructions must be completely followed to ensure proper and safe installation and performance.
4. Improper installation, misuse, misapplication or other failure to completely follow ERICO's instructions and warnings may cause product malfunction, property damage, serious bodily injury and death.
5. Products that are manufactured using spring steel components shall be used only in a non-corrosive indoor environment.
6. All pipe supports, hangers, intermediate components and structural attachments must ONLY be used as described herein and are NEVER to be used for any other purpose.

NOTE: All load ratings are for static conditions and do not account for dynamic loading such as wind, water or seismic loads, unless otherwise noted.

The customer is responsible for:

- a. Conformance to all governing codes.
- b. The integrity of structures to which the products are attached, including their capability of safely accepting the loads imposed, as evaluated by a qualified engineer.
- c. Using appropriate industry standard hardware as noted above.

SAFETY INSTRUCTIONS:

All governing codes and regulations and those required by the job site must be observed. Always use appropriate safety equipment such as eye protection, hard hat, and gloves as appropriate to the application.



CADDY, CADWELD, CRITEC, ERICO, ERIFLEX, ERITECH, and LENTON are registered trademarks of ERICO International Corporation.

TECHNICAL SUPPORT:
www.erico.com

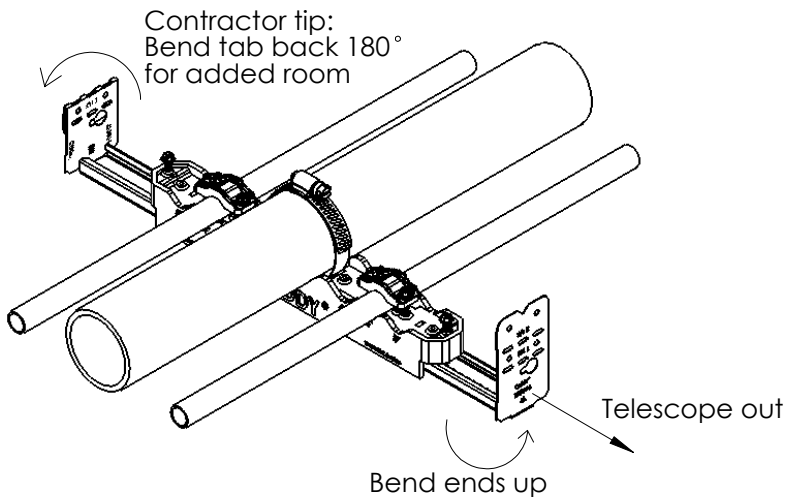
CFS492_B

1 OF 2

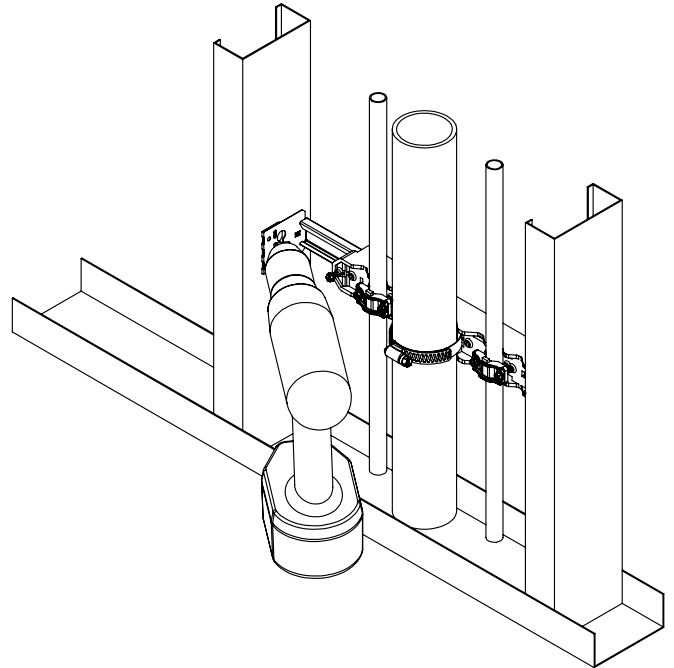
© 2014 ERICO International Corporation.



- 5 Telescope bracket out to width of studs and bend ends up



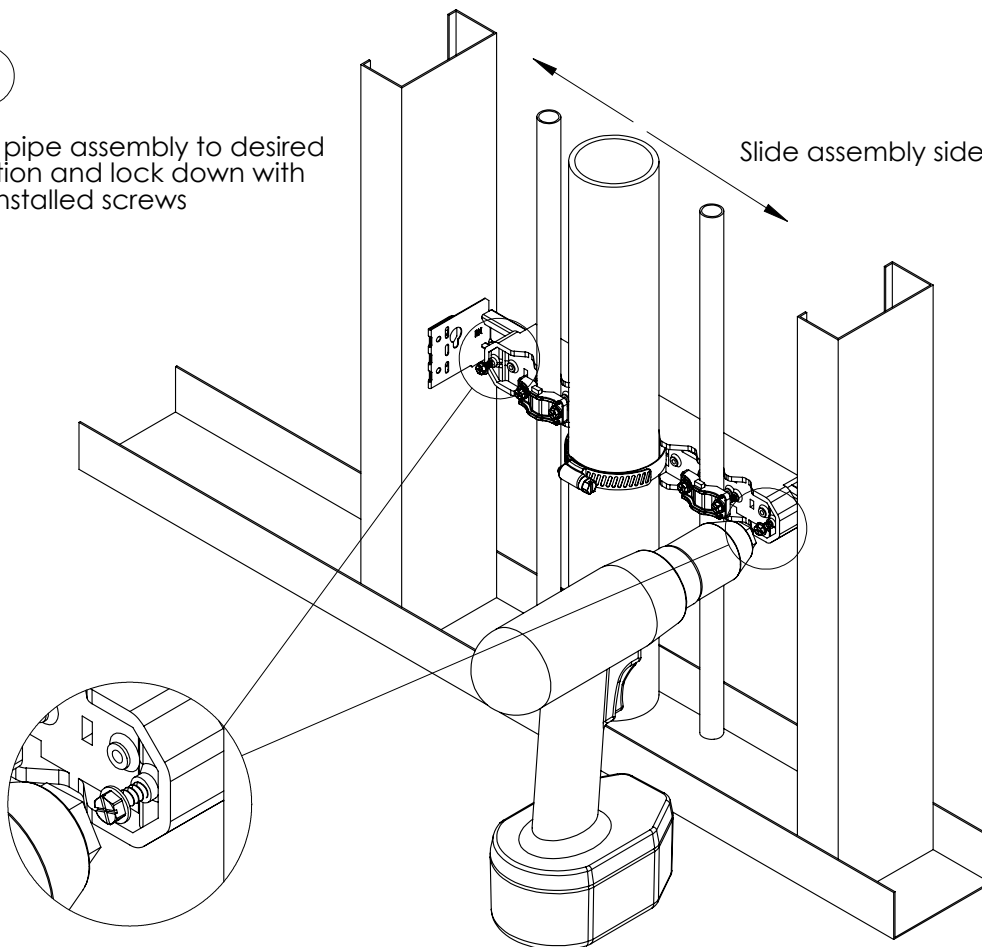
- 6 Attach fastener to side face of the stud with a screw gun



- 7

Slide pipe assembly to desired location and lock down with pre-installed screws

Slide assembly side to side to locate



CADDY, CADWELD, CRITEC, ERICO, ERIFLEX, ERITECH, and LENTON are registered trademarks of ERICO International Corporation.

TECHNICAL SUPPORT:
www.erico.com

CFS492_B

2 OF 2

© 2014 ERICO International Corporation.

