



# 8 Degree™ 18" undermount single-bowl bar sink K-3671

## Features

- 21" (533 mm) minimum base cabinet width
- Single bowl
- 9-3/4" depth provides generous workspace
- Includes installation hardware, wineglass rack, and bottom sink rack

## Material

- Handcrafted from 16-gauge stainless steel
- Premium 16-gauge stainless steel

## Installation

- Undermount

## Recommended Products/Accessories

- K-8801 Sink drain and strainer with tailpiece
- K-8799 Sink drain and strainer basket
- K-23726 Drain treatment
- K-23729 Stainless steel cleaner

## Optional Products/Accessories

- K-3140 Cutting Board
- K-11352 Disposal Flange with Stopper

## Included Components

- 91915 Hardware Kit



ADA

## Codes/Standards

ASME A112.19.3/CSA B45.4  
ADA  
ICC/ANSI A117.1  
IAPMO Certification

## KOHLER® Stainless Steel Sinks Lifetime Limited Warranty

See website for detailed warranty information.

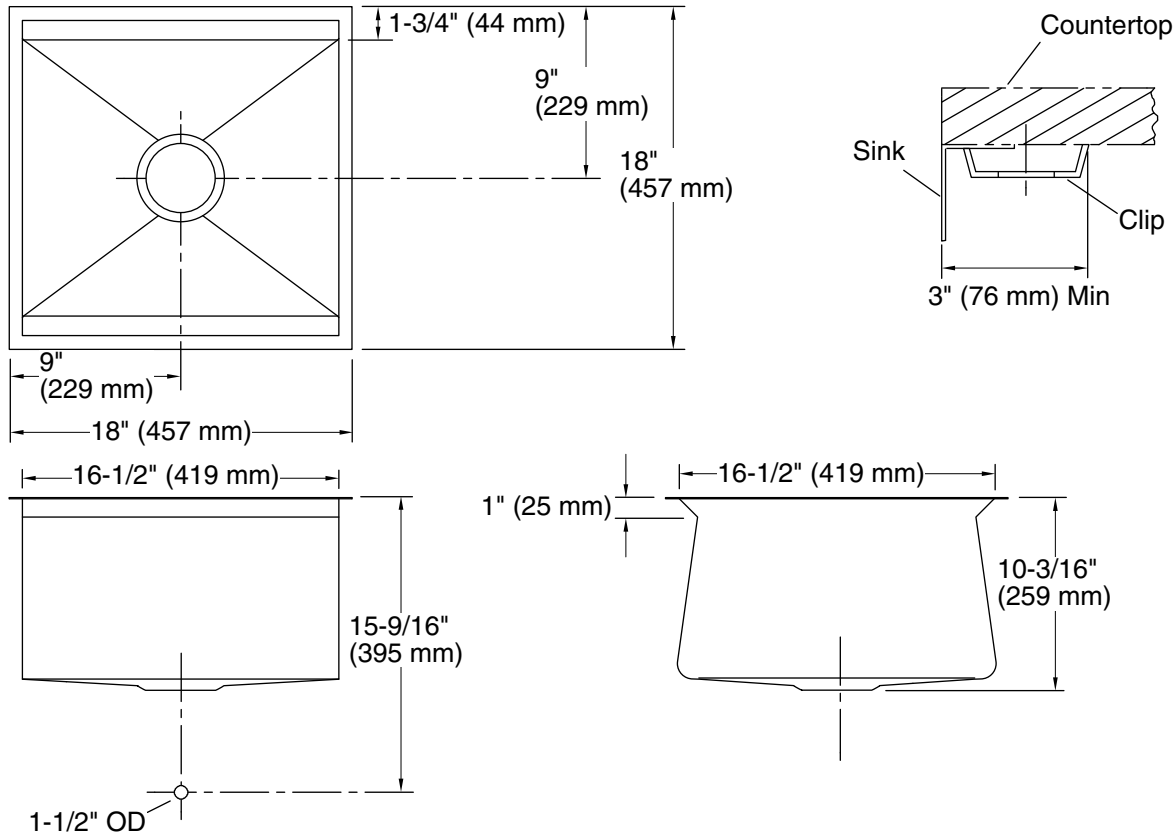
1-800-4KOHLER (1-800-456-4537)

Kohler Co. reserves the right to make revisions without notice to product specifications.

For the most current Specification Sheet, go to [www.kohler.com](http://www.kohler.com) USA or [www.kohler.ca](http://www.kohler.ca) Canada

2-28-2024 22:24 - US

THE BOLD LOOK  
OF **KOHLER**®



### Technical Information

All product dimensions are nominal.

|                          |  |
|--------------------------|--|
| Bowl configuration:      | Single   |
| Min. base cabinet width: | 21" (533 mm)   |
| Bowl area (Only):        | Length: 16-1/2" (419 mm)<br>Width: 16-1/2" (419 mm)<br>Bowl depth: 9-3/4" (248 mm) |
| Drain hole:              | 3-5/8" (92 mm)   |
| Template:                | 1093326-7, required, included  |

### Notes

Install this product according to the installation instructions.

Allow a minimum of 3" (76 mm) clearance around the sink rim for clip attachment.

ADA compliant when installed to the specific requirements of these regulations.

ADA permits a parallel approach to wet bars.