

### Features

- 60"L x 32"W x 16-1/4"H
- Bath with raised bottom allows use of horizontal drain from outlet to wall
- Integral apron for quick installation
- Safeguard® slip-resistant surface provides excellent traction underfoot
- Integral lumbar support

### Material

- KOHLER® enameled cast iron

### Installation

- Alcove
- Integral flange
- Right drain

### Required Products/Accessories

K-T37391 Rotary-turn bath drain trim  
K-T37392 Rotary-turn bath drain trim

or

K-37383 Rough-in cable bath drain, PVC, 30" cable with tubing  
K-78438 30" cable bath drain

### Recommended Products/Accessories

K-1491 Bath/Whirlpool Pillow  
K-1601 Bath/whirlpool footstop, removable  
K-7213 27" Cable Bath Drain  
K-7214 27" Cable Bath Drain  
K-7259 Brass toe tap bath drain  
K-706000-D3 Frameless Sliding Bath Door  
K-706000-L 62" H sliding bath door with 1/4"-thick glass  
K-706004-D3 Frameless Sliding Bath Door  
K-706004-L Frameless Sliding Bath Door  
K-702200-6L 58" H sliding bath door with 1/4"-thick glass  
K-23726 Drain treatment  
K-23725 Cast iron cleaner



ADA

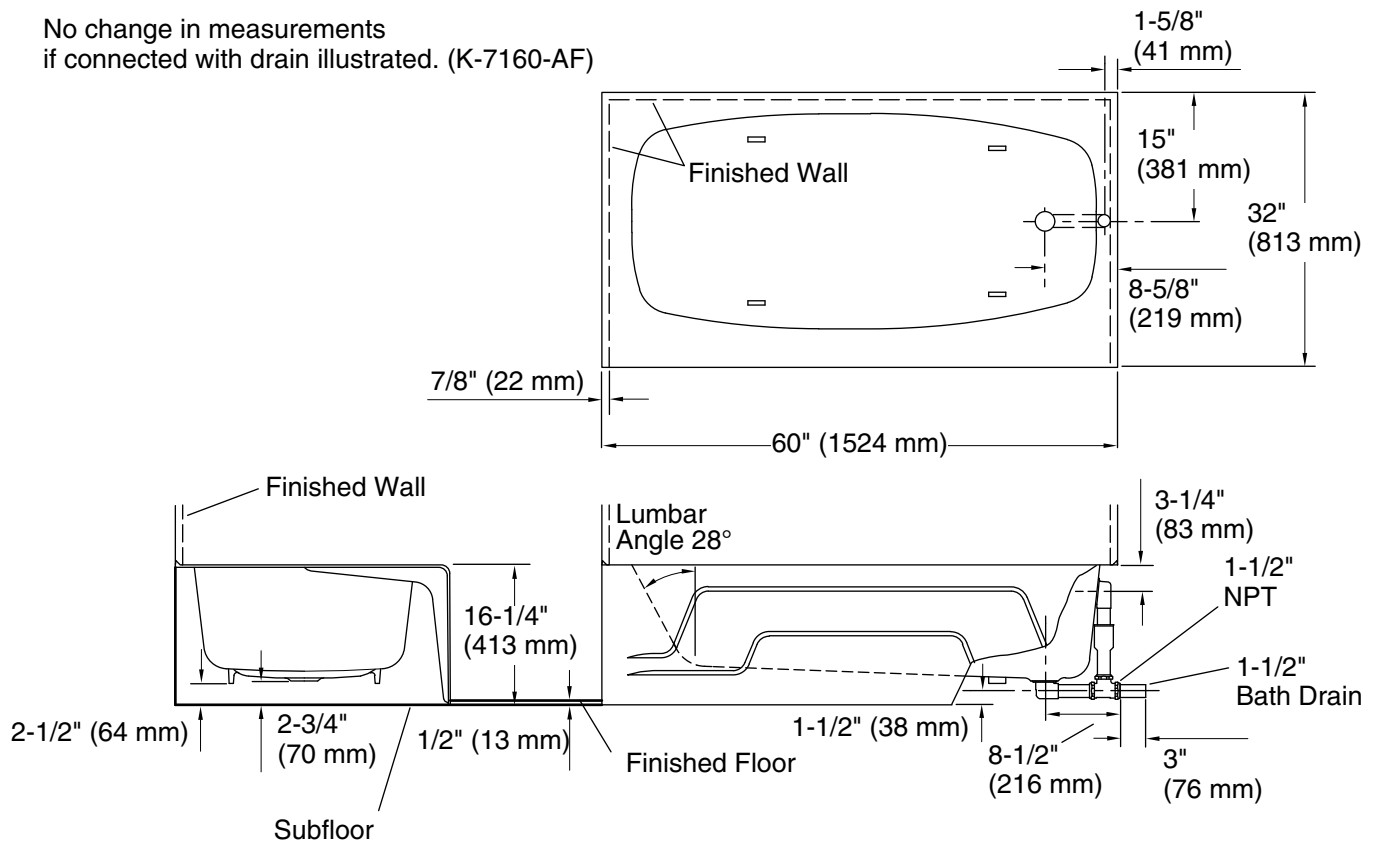
### Codes/Standards

ASME A112.19.1/CSA B45.2  
ASTM F462  
ADA  
ICC/ANSI A117.1  
IAPMO Certification

### KOHLER® Enameled Cast Iron Bath and Shower Base Lifetime Limited Warranty

See website for detailed warranty information.

No change in measurements  
if connected with drain illustrated. (K-7160-AF)



### Technical Information

All product dimensions are nominal.

Drain location:	Right
Basin area, bottom:	41" x 22" (1041 mm x 559 mm)
Basin area, top:	54" x 25" (1372 mm x 635 mm)
Weight:	345 lbs (156.5 kg)
Minimum floor load:	50 lbs/ft <sup>2</sup> (244.1 kg/m <sup>2</sup> )
Water depth:	8-5/8" (219 mm)
Water capacity:	35 gal (132.5 L)

### Notes

Measure your actual product for rough-in details.

Install this product according to the installation instructions.

The hot water supply should be 70% of the capacity of the bath or greater. Installations will vary.

**NOTICE:** By design, the apron is not perpendicular. The bottom edge of the apron angles out approximately 3/4" (19 mm) from the top of the rim.

ADA compliant when installed to the specific requirements of these regulations.