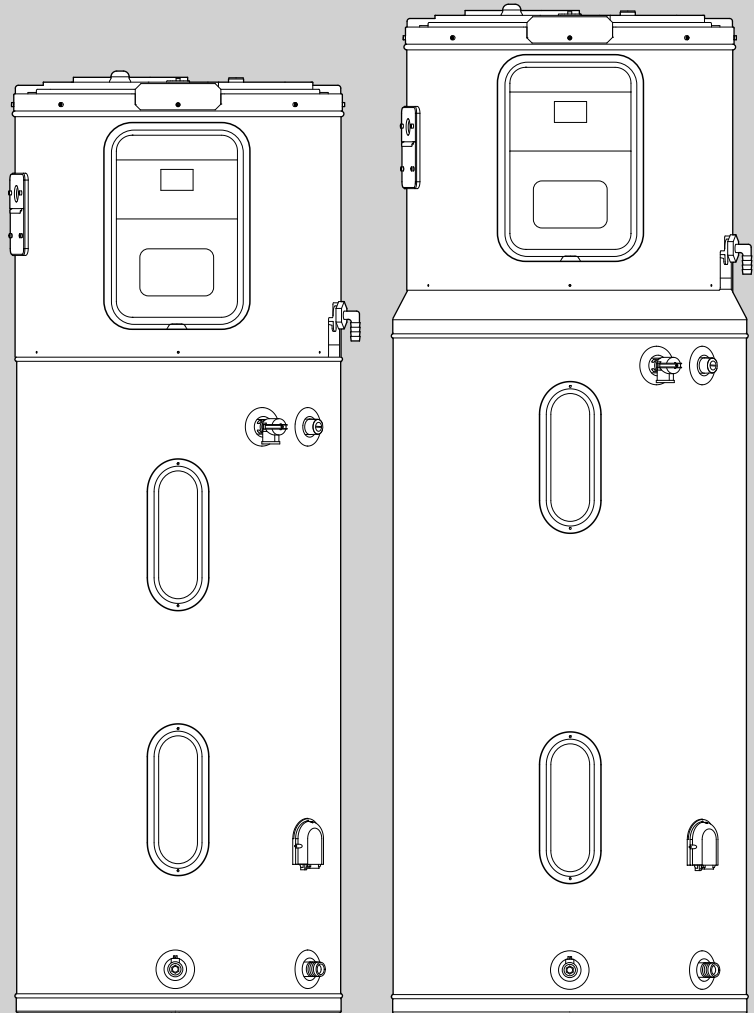


HEAT PUMP WATER HEATER

Installation Instructions and Use & Care Guide



⚠ DANGER

This manual must only be used by a qualified installer / service technician. Read all instructions in this manual before installing. Perform steps in the given order. Failure to do so could result in substantial property damage, severe personal injury, or death.

⚠ WARNING

Improper installation, adjustment, alteration, service, or maintenance could void product warranty and cause property damage, severe personal injury, or death.

California Proposition 65 Warning: This product contains chemicals known to the State of California to cause cancer, birth defects, or other reproductive harm.

NOTICE

The manufacturer reserves the right to make product changes or updates without notice and will not be held liable for typographical errors in literature.

The surfaces of these products contacted by potable (consumable) water contain less than 0.25% lead by weight as required by the Safe Drinking Water Act, Section 1417.

NOTE TO CONSUMER: PLEASE KEEP ALL INSTRUCTIONS FOR FUTURE REFERENCE.

SPECIAL ATTENTION BOXES

The following defined terms are used throughout this manual to bring attention to the presence of hazards of various risk levels or to important product information.

DANGER

DANGER indicates an imminently hazardous situation which, if not avoided, will result in serious personal injury or death.

WARNING

WARNING indicates a potentially hazardous situation which, if not avoided, could result in death or serious injury.

CAUTION

CAUTION indicates a potentially hazardous situation which, if not avoided, may result in moderate or minor personal injury.

CAUTION

CAUTION used without the safety alert symbol indicates a potentially hazardous situation which, if not avoided, may result in property damage.

NOTICE

NOTICE is used to address practices not related to personal injury.

FOREWORD

This manual is intended to be used in conjunction with other literature provided with the Heat Pump Water Heater. This includes all related control information. It is important that this manual, all other documents included with this system, and additional publications including the National Electrical Code, ANSI/NFPA 70, be reviewed in their entirety before beginning any work. Installation should be made in accordance with the regulations of the local code authorities and utility companies which pertain to this type of water heating equipment.

Authority Having Jurisdiction (AHJ) – The AHJ may be a federal, state, local government, or individual such as a fire chief, fire marshal, chief of a fire prevention bureau, labor department or health department, building official or electrical inspector, or others having statutory authority. In some circumstances, the property owner or his/her agent assumes the role, and at government installations, the commanding officer or departmental official may be the AHJ.

FOR THE INSTALLER

WARNING

This manual must only be used by a qualified HPWH installer/service technician. Read all instructions in this manual before installing. Perform steps in the order given. Failure to comply could result in substantial property damage, severe personal injury, or death.

This water heater must be installed by qualified and licensed personnel. The installer should be guided by the instructions furnished with the water heater, and with local codes and utility company requirements. In the absence of local codes, preference should be given to the National Electrical Code, ANSI/NFPA 70.

For Your Records

Write the Product Model and Serial Numbers:

Model # _____

Serial # _____

These numbers are listed on the product ratings label. Keep this manual and information for future reference.

INSTALLATIONS MUST COMPLY WITH:

Local, state, provincial, and national codes, laws, regulations and ordinances.

The latest version of the National Electrical Code, ANSI/NFPA No. 70, available from the National Fire Protection Association, Batterymarch Park, Quincy, MA 02269.

TABLE OF CONTENTS

PART 1 – GENERAL SAFETY INFORMATION

A. PRECAUTIONS	3
B. WATER TEMPERATURE ADJUSTMENT	3
C. COMBUSTIBLE MATERIALS	4
D. INSTALLATIONS IN THE STATE OF California	4
E. MAINTENANCE CONSIDERATIONS	4
F. HYDROGEN GAS	4
G. SAFETY CONSIDERATIONS	4
H. SAFETY CONTROLS	4
I. PACKAGING AND SUPPLIED ACCESSORIES	5
J. DIMENSIONS	5
K. IDENTIFICATION OF THE APPLIANCE	5
L. BATTERY	6

PART 2 – INSTALLATION INSTRUCTIONS

A. TRANSPORT AND HANDLING	7
B. DETERMINING WATER HEATER LOCATION	7
C. THERMAL EXPANSION	8
D. WATER SUPPLY CONNECTIONS	8
E. CONDENSATE DRAIN	9
F. RELIEF VALVE	10
G. TO FILL THE WATER HEATER	10
H. MAIN COMPONENTS	10
I. AIR SUPPLY CONNECTIONS	11
J. ELECTRICAL CONNECTIONS	12
K. REGULATORY COMPLIANCE	12

PART 3 – CONTROLS

A. CONTROL & DISPLAY OVERVIEW	14
B. INSTRUCTIONS FOR USE	14
C. USER MENU	15
D. INSTALLER MENU	15

PART 4 – MAINTENANCE, VACATION, AND CLEANING

A. ROUTINE PREVENTIVE MAINTENANCE	18
B. DRAINING THE WATER HEATER	18
C. VACATION AND EXTENDED SHUTDOWN	18
D. CLEANING THE FILTER	18
E. CLEARING THE CONDENSATION DRAIN TUBES	18

PART 5 – INSTALLATION CHECKLIST

PART 6 – STARTUP: WHAT TO EXPECT

PART 7 – MAINTENANCE CHECKLIST AND ERROR CODES	20
TROUBLESHOOTING	21

PART 8 – INSTALLATION ECOPORT MODULE (enabled only if present)

22

PART 1 – GENERAL SAFETY INFORMATION

WARNING

For your safety, the information in this manual must be followed to minimize the risk of fire, explosion, electric shock, and to prevent property damage, personal injury, or death.

**This product is intended for domestic use only.
Not accessible to general public.**

A. PRECAUTIONS

WARNING

INSTALLER – Read all instructions in this manual before installing. Be sure to understand all instructions before installing or operating this water heater, as this may save time and cost. Perform steps in the order given. Should you have problems understanding the instructions in this manual, or any questions, STOP and get help from a qualified service technician or local electric utility.

FAILURE TO ADHERE TO THE GUIDELINES ON THIS PAGE CAN RESULT IN SUBSTANTIAL PROPERTY DAMAGE, SEVERE PERSONAL INJURY, OR DEATH.

WARNING

NOTE: If the water heater is exposed to the following, do not operate until all corrective steps have been made by a qualified serviceman:

1. FIRE
2. DAMAGE
3. WATER

Any claims for damage or shortage in shipment must be filed immediately against the transportation company by the consignee.

DO NOT USE THIS WATER HEATER IF ANY PART HAS BEEN UNDERWATER. Immediately call a qualified service technician. Replace any part of the control unit that has been under water.

CAUTION

High heat sources (sources generating heat 100°F / 37°C or greater, such as stove pipes, space heaters, etc.) may damage plastic components of the water heater as well as plastic vent pipe materials. Such damages ARE NOT covered by warranty. It is recommended to keep a minimum clearance of 8" from high heat sources. Observe heat source manufacturer instructions, as well as local, state, provincial, and national codes, laws, regulations and ordinances when installing this water heater and related components near high heat sources.

WARNING

For California installation this water heater must be braced, anchored or strapped to avoid falling or moving during an earthquake. See instructions for correct installation procedures. Instructions may be obtained from California office of the state architect, 400 P Street, sacramento, CA 95814.

B. WATER TEMPERATURE ADJUSTMENT

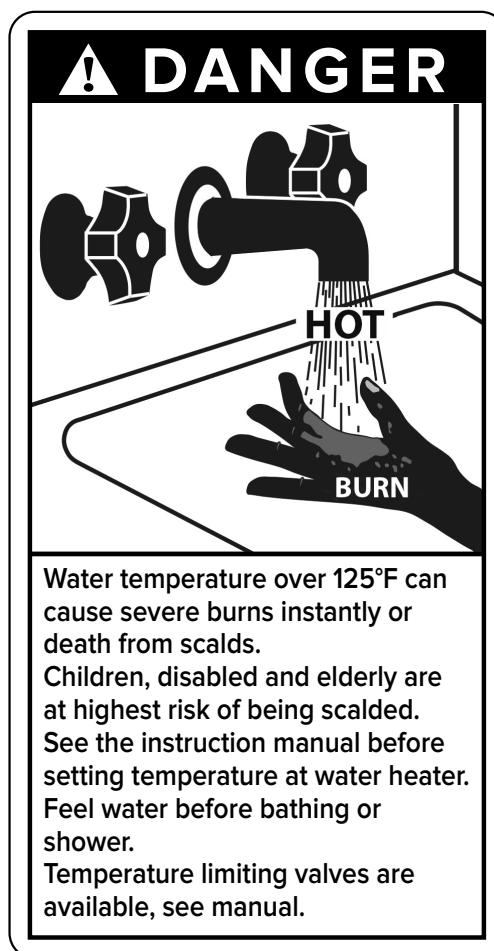
DANGER

Water temperature over 125°F can instantly cause severe burns or death from scalds. Children, disabled, and the elderly are at the highest risk of being scalded. See instruction manual before setting temperature at the water heater. Feel water before bathing or showering! Temperature limiting valves are available.

Safety and energy conservation are factors to be considered when selecting the water temperature setting via the water heater user interface.

Water temperatures above 125°F can cause severe burns or death from scalding. Be sure to read and follow the warnings outlined on the label pictured. This label is also located on the water heater near the top of the tank.

The temperature of the water in the heater is regulated by the water heater interface control. To comply with safety regulations the temperature was set at 120°F (49°C) before the water heater was shipped from the factory.



Mixing valves for reducing point-of-use water temperature by mixing hot and cold water in branch water lines are available. Contact a licensed plumber or the local plumbing authority for further information.

NOTE: Households with small children, disabled, or elderly persons may require a 120°F or lower thermostat setting to prevent contact with "HOT" water.

APPROXIMATE TIME TEMPERATURE RELATIONSHIPS IN SCALDS	
120°F	More than 5 minutes
125°F	1 ½ to 2 minutes
130°F	About 30 seconds
135°F	About 10 seconds
140°F	Less than 5 seconds
145°F	Less than 3 seconds
150°F	About 1 ½ seconds
155°F	About 1 second

Table Courtesy of Shriners Burn Institute

WARNING

When using anti-legionella function, the water heater will adjust to a set point of 140F. Use caution when using water fixtures while in this mode as this temperature can cause immediate scalding

C. COMBUSTIBLE MATERIALS

WARNING

Gasoline, as well as other flammable materials and liquids (adhesives, solvents, etc.), and the vapors these items produce are extremely dangerous. DO NOT handle, use, or store gasoline or other flammable or combustible materials anywhere near or in the vicinity of the water heater. The arc drawn in the water heater controls can ignite these vapors. Failure to follow these instructions can result in property damage, serious personal injury, or death.

D. INSTALLATIONS IN THE STATE OF California

California Law requires that residential water heaters must be braced, anchored, or strapped to resist falling or horizontal displacement due to earthquake motions.

For residential water heaters up to 52 gallon capacity, a brochure with generic earthquake bracing instructions can be obtained from: Office of the State Architect, 400 P Street, Sacramento, CA 95814, or you may call 916-324-5315, or ask your water heater dealer for more information.

Applicable local codes shall govern installation. For residential water heaters of a capacity greater than 52 gallons, consult the local building jurisdiction for acceptable bracing procedures.

WARNING

California Proposition 65 Warning: This product contains chemicals known to the State of California to cause cancer, birth defects, or other reproductive harm.

E. MAINTENANCE CONSIDERATIONS

- To avoid electric shock, disconnect electrical supply before performing maintenance.
- To avoid severe burns, allow water heater to cool before performing maintenance.

F. HYDROGEN GAS

WARNING

Hydrogen gas can be produced in a hot water system that has not been used for a long period of time (generally two weeks or more).

HYDROGEN GAS IS EXTREMELY FLAMMABLE! To dissipate such gas and reduce the risk of injury, it is recommended that the kitchen sink hot water faucet be opened for several minutes before using any electrical water heater connected to the hot water system.

If hydrogen is present, there will be an unusual sound, such as air escaping through the pipe as water begins to flow. Do not smoke or use an open flame near the faucet while it is open. Failure to follow this warning could result in property damage, severe personal injury, or death.

G. SAFETY CONSIDERATIONS

1. Turn off power to the water heater if it has been subjected to overheating, fire, flood, or physical damage.
2. **Do Not** turn on water heater unless it is filled with water.
3. **Do Not** turn on water heater if cold water supply shut-off valve is closed.
4. **Do Not** store or use gasoline or other flammable vapors or liquids, such as adhesives or paint thinner, in the vicinity of this or any other water heater. Open doors and windows for ventilation if such flammables must be stored near the water heater.

NOTE: Flammable vapors may be drawn by air currents from surrounding areas to the water heater.

5. If there is any difficulty in understanding or following the Control Instructions or the Maintenance and Cleaning Sections, it is recommended that a qualified person or serviceman perform the work.

H. SAFETY CONTROLS

The water heater is equipped with two temperature-limiting controls (TCO and TOD) that are located above the heating element in contact with the tank surface. If for any reason the water temperature becomes excessively high, the temperature-limiting control (TCO or TOD) breaks the electrical circuit to the heating element. Once the control opens, it must be reset manually. Resetting the temperature limiting controls should only be done by a qualified service technician.

For the Heat Pump, the high temperature-limiting control is done by the electronic temperature sensors and the electronic controls.

CAUTION

The cause of the high temperature condition must be investigated by a qualified service technician and corrective action must be taken before placing the water heater in service again.

To reset the temperature-limiting control:

1. Turn off the power to the water heater.
2. Remove the jacket access panel(s) and insulation.
DO NOT remove the thermostat protective cover.
3. Press the red RESET button.
4. Replace the insulation and jacket access panel(s) before turning on power to the water heater.

⚠ WARNING

This water heater must be properly grounded before usage. Failure to comply could result in substantial property damage, severe personal injury, or death.

I. PACKAGING AND SUPPLIED ACCESSORIES




The appliance is anchored to a wooden pallet and is protected with a polystyrene top cover, and external cardboard; all the materials are recyclable and eco-compatible.

The following accessories are included:

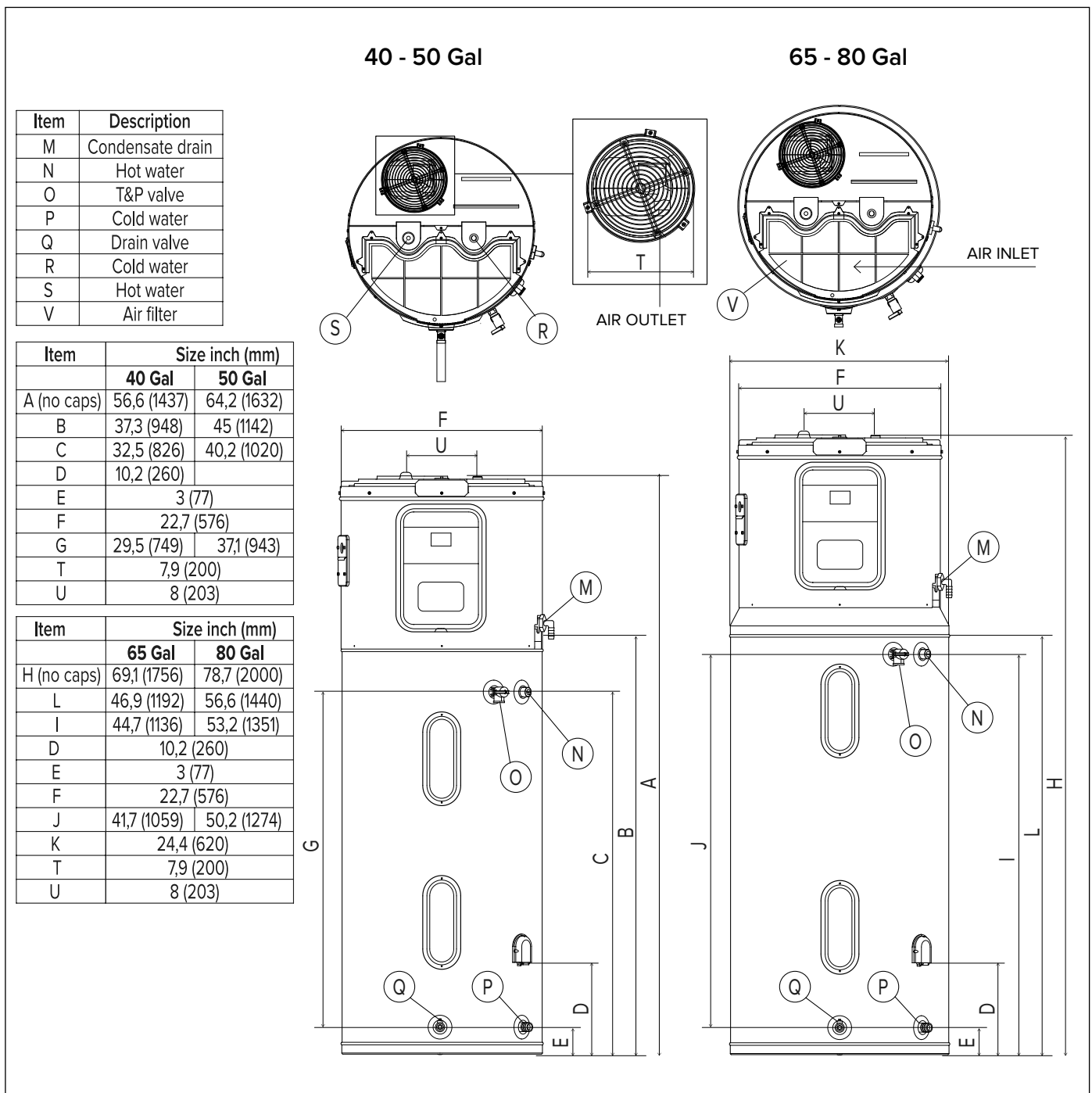
- Leak sensor
- Instruction manual and warranty document.
- Earthquake insulation kit
- Earthquake strap

K. IDENTIFICATION OF THE APPLIANCE

The main information for identifying the appliance on the adhesive data plate located on the water heater casing.

		BARCODE
Serial No./N° de Série	----	Cap. XX Gallons / XXX Litres
Model No./N° de Modèle	XXXXXXXX-XX	HEAT PUMP WATER HEATERS
MFD./FAB:	----	  Contains FCC ID: 2AC7Z-ESPWROOM32D  UL file number SA45840 Assembled in Mexico Assemblé au Mexique
Volts AC: 208-240	Hertz: 60 1 Phase	
Compressor/Compresseur (LRA)	11.5	
Fan Motor/Moteur de Ventilateur (FLA)	0.24, Hp 0.04	
Min. Supply Circuit Ampacity / Courant Minimum D'Alimentation	30A	
Max. Fuse or Ckt. Brk. Size / Cal. Max. De Fusible/Kis J	30A	
SCCR, kA (BCSC, A)	10 (30)	
Design Pressure High/Pression Nominale Haute	392 psi (2.7 MPa)	
Design Pressure Low/Pression Nominale Basse	145 psi (1 MPa)	
Refrigerant/Réfrigérant	R513a	
Factory Charge/Charge Usine	31.7 Oz / 950 g	
Volts AC	208 - 240V	
Compressor/Compresseur (RLA)	2.0	
Upper Element/Haute Élément	4.5 kW	
Lower Element/Basse Élément	4.5 kW	
Rated power	4500 W	
Max. Working Press. / Pression De Servic Max	150 psi (1.03 MPa)	
Calentadores de América S.A. de C.V. Blvd. Isidro Lopez Zertuche #1839 Col. Universidad CP 25260 Saltillo, Coahuila, México		BARCODE

J. DIMENSIONS



L. BATTERY

⚠ WARNING

RISK OF EXPLOSION IF BATTERY IS REPLACED BY AN INCORRECT TYPE, DISPOSE OF USED BATTERIES ACCORDING TO THE INSTRUCTIONS

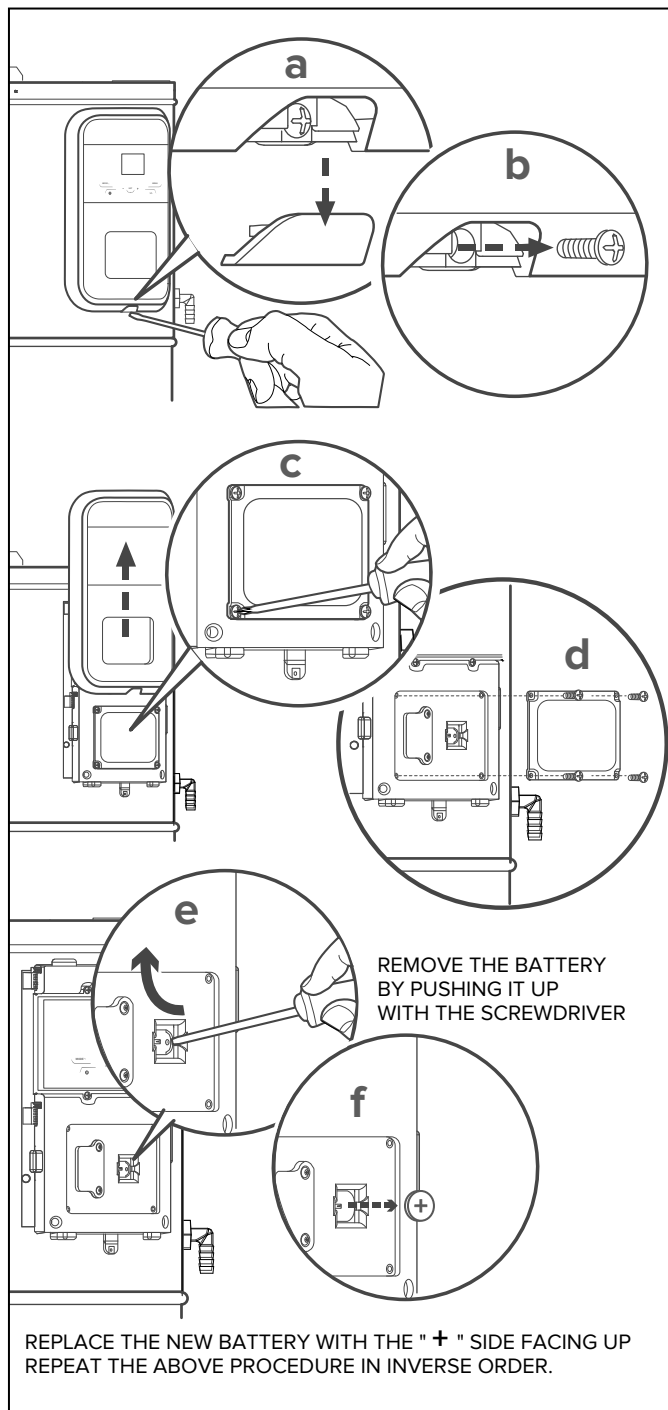
BATTERY REMOVAL/REPLACE

CAUTION

The battery must be removed before it is scrapped. The control shall be disconnected from the supply mains before removing the battery. The battery is to be disposed of safely.

⚠ WARNING

USE ONLY **BR2032** OR **CR2032** BATTERY MODEL



⚠ WARNING

Do not dispose of the batteries with unsorted household waste. The batteries must be disposed of separately from normal waste in accordance with the local regulations, so that they can undergo special treatment.

HOW TO DEAL WITH LEAKING BATTERY

In case of electrolyte leakage from the battery:

- Flush the eyes with plenty of clean water for at least 15 minutes immediately, without rubbing. Get immediate medical treatment. If appropriate procedures are not taken, this may cause eye injury.
- Wash the affected area under tepid running water using a mild soap. If appropriate procedures are not taken, this may cause sores on the skin. Get medical attention if irritation develops or persists.
- Remove to fresh air immediately. Get medical treatment immediately.

Accidental release measures

(In case of electrolyte leakage from the battery)
Take up with absorbent cloth, treat cloth as inflammable.
Move the battery away from the fire.

Exposure controls and personal protection

Acceptable concentration : Not specified about Lithium Battery.
Facilities : Nothing in particular.

Protective Equipment (in case of electrolyte leakage from the battery)

Respiratory Protection : For most condition no respiratory protection
Hand Protection : Safety gloves.
Eye Protection : Safety goggle

Stability and reactivity

Since batteries utilize a chemical reaction they are actually considered a chemical product.
As such, battery performance will deteriorate over time even if stored for a long period of time without being used. In addition, the various usage conditions such as discharge, ambient temperature, etc. Are not maintained within the specified ranges the life expectancy of the battery may be shortened or the device in which the battery is used may be damaged by electrolyte leakage.

PART 2 – INSTALLATION INSTRUCTIONS

⚠ WARNING

The installation of this water heater must be braced, anchored or strapped to avoid falling or moving. Using perforated steel plumbers tape, anchor one end of the tape to the wall with 1/4" diameter lag screw and flat washer, wrap the tape around the tank and pull tight to anchor stud on the opposite wall. In case there are two tapes on the box, install them overlapped

⚠ WARNING

Any panel or cover in the outer enclosure require the use of tools to open as prescribed by the relevant standards and therefore are considered as not accessible to the end user.

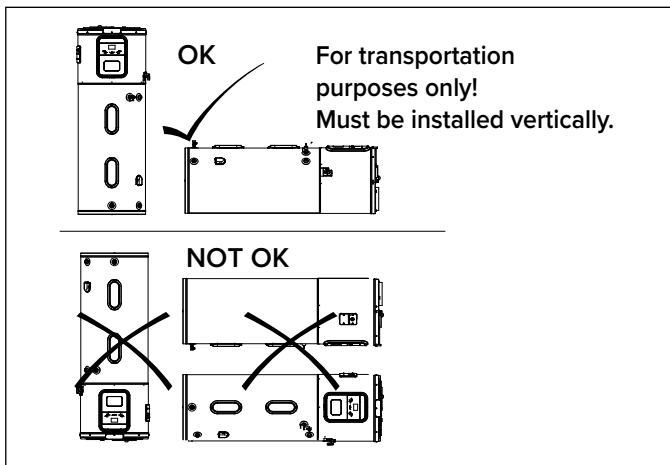
Any installation and maintenance operation must be performed by professionally qualified personnel as specified in the relative paragraphs using only original spare parts. Failure to observe the above instructions can compromise the safety of the appliance and relieves the manufacturer of any liability for the consequences.

A. TRANSPORT AND HANDLING

Upon delivery of the product, check that it has not been damaged during transport and that no signs of damage appear on the packaging. In the event of damages, immediately notify any claims to the transportation company.

WARNING! THE APPLIANCE SHOULD BE HANDLED AND STORED IN A VERTICAL POSITION.

The product may be handled in a horizontal position only for short distances, while resting on the rear end indicated; in this case, wait at least 3 hours before starting the appliance once it has been correctly repositioned in a vertical position and/or installed; this is to ensure that the lubricating oil inside the refrigeration circuit is suitably distributed and to avoid damages to the compressor.



The packaged appliance may be handled either manually or with the aid of a forklift truck, while ensuring that the above indications are observed. It is advisable to keep the appliance in its original packaging until installing it in its chosen location, particularly when construction work is under way on-site.

When transporting or handling the appliance after the initial installation, observe the aforementioned indication concerning the allowed tilt angle and ensure that all water has been drained from the tank. Should the original packaging be missing, provide an adequate protection for the appliance to prevent any damages, for which the manufacturer shall not be held liable.

LOCAL INSTALLATION REGULATIONS

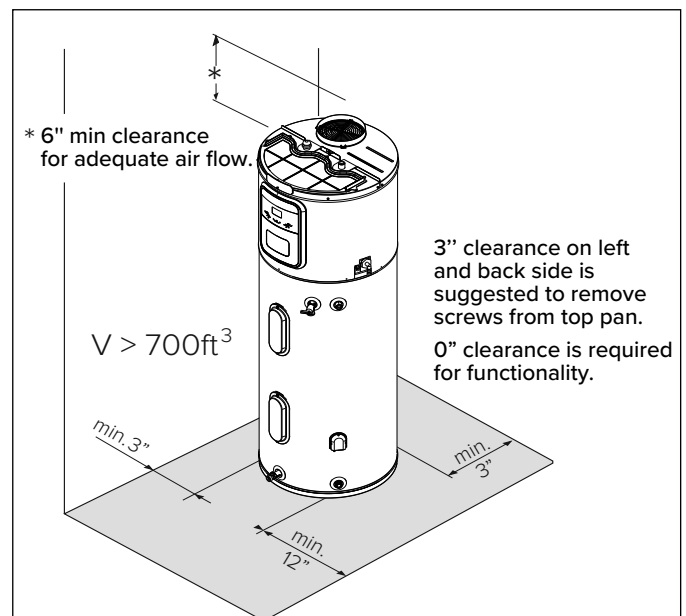
This water heater must be installed in accordance with these instructions, local codes, utility codes, and utility company re-

quirements or, in the absence of local codes, the latest edition of the National Electrical Code. It is available from some local libraries or can be purchased from the National Fire Prevention Association, Batterymarch Park, Quincy, MA 02169 as booklet ANSI/NFPA 70.

B. DETERMINING WATER HEATER LOCATION

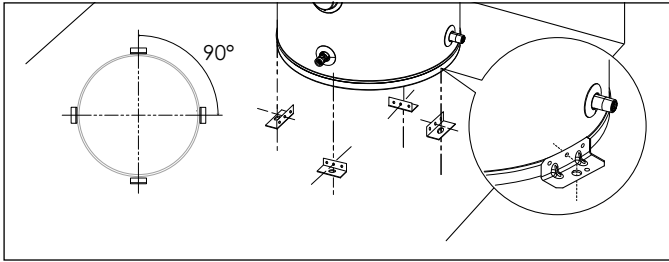
The location chosen for the water heater must take the following into consideration:

- In the event of water heaters without an air duct, the room of installation should have a volume of no less than 700 cubic feet and must be adequately ventilated. Avoid installing the appliance in rooms which may favor frost build-up. Do not install the product in a room containing an appliance that requires air to function (e.g. an open-chamber gas boiler, open-chamber gas water heater, etc.) unless otherwise indicated by local law. This water heater is certified for indoor use only. **DO NOT INSTALL OUTDOORS.** Outdoor installations ARE NOT covered by warranty. Failure to install the water heater indoors could result in property damage, severe personal injury, or death
- Ensure the installation site and the electrical and hydraulic systems to which the appliance must be connected fully comply with the regulations in force;
- The chosen installation site must have single-phase 208-240V ~ 60 Hz power supply;
- The chosen site must be suitable to house a condensate drainage outlet connected to the side of the appliance with a suitable siphon;
- The chosen site must ensure that appropriate safety distances are observed;
- Ensure that installation of the ducts allows maintenance operations on the evaporator filter;
- Ensure that the plan allows a perfectly vertical operating position;
- The chosen site must conform to the appliance's IP protection rating (protection against the penetration of liquids) as specified by the regulations in force;
- The appliance must not be exposed to direct sunlight, even when windows are present;
- The appliance must not be exposed to particularly aggressive substances such as acidic vapours, dust or gas-filled environments;
- The appliance must not be directly installed on telephone lines that are unprotected against overvoltage;
- The appliance must be installed as close as possible to points of use to limit heat loss along the piping;
- Site air must be free of dust, acidic vapours and solvents. Leave adequate space around the appliance in order to ensure easy access and facilitate maintenance (see graphic below)



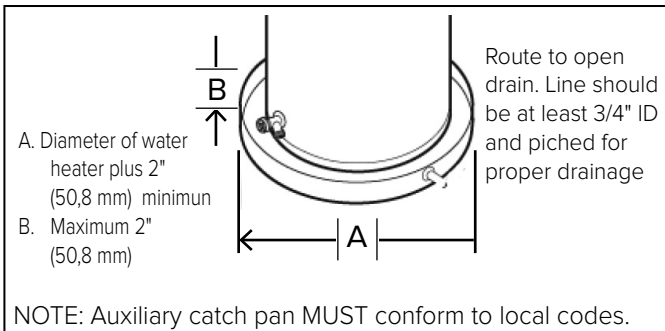
Positioning on the ground

- 1) Once the suitable installation position has been located, remove the packaging from the product pallet.
- 2) Remove the product from the pallet.
- 3) Fix the feet on the ground (through the appropriate holes) using suitable screws and rawlplugs.
Set the product vertically in the installation location.



CAUTION

The water heater should not be located in an area where leakage of the tank or connections will result in damage to the area adjacent to it or to lower floors of the structure. Where such areas cannot be avoided, it is recommended that a suitable, adequately drained catch pan be installed under the water heater.

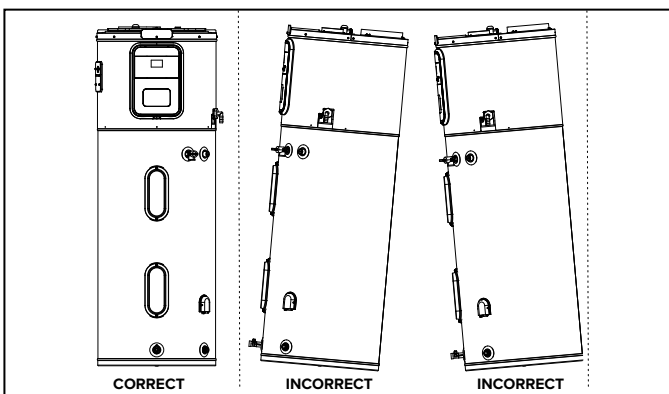


ATTENTION: The installation of a drain pan is required in case of use of leakage sensor.

⚠ DANGER

This water heater **SHOULD NOT** be installed in a space where liquids which give off flammable vapors are used or stored. Such liquids include gasoline, LP gas (butane and propane), paint or adhesives and thinners, solvents, or removers. Because of natural air movement in a room or other enclosed space, flammable vapors can be carried from where flammable liquids are being used or stored. The operation of the control system within the water heater can ignite these vapors, causing an explosion or fire which may result in property damage, as well as potentially severe burns or death to those in range.

To facilitate condensate drainage and proper operation, ensure the water heater is installed level.



C. THERMAL EXPANSION

Determine if a check valve exists in the inlet water line. It may have been installed in the cold water line as a separate backflow preventer, or may be part of a pressure-reducing valve, water meter, or water softener. A check valve located in the cold water inlet line can cause what is referred to as a "closed water system". A cold water inlet line with no check valve or backflow prevention device is referred to as an "open water system".

As water is heated, it expands in volume and creates an increase in the pressure within the water system. This action is referred to as "thermal expansion". In an open water system, expanding water which exceeds the capacity of the water heater flows back into the city main, where pressure is easily dissipated.

A closed water system prevents the expanding water from flowing back into the main supply line, and the resulting thermal expansion can create a rapid and dangerous pressure increase in the water heater and system piping. This pressure increase can quickly reach the safety limit of the relief valve, causing it to operate during each heating cycle. Thermal expansion, and the resulting rapid and repeated expansion and contraction of components in the water heater and piping system, can cause premature failure of the relief valve and possibly the water heater itself. Replacing the relief valve will not correct this problem.

The suggested method of controlling thermal expansion is to install an expansion tank in the cold water line between the water heater and the check valve (refer to the illustration in the schema installation). The expansion tank is designed with an air cushion built in that compresses as the system pressure increases, thereby relieving the thermal expansion and eliminating the repeated operation of the relief valve.

Other methods of controlling thermal expansion are available. Contact your installing contractor, water supplier, or plumbing inspector for additional information regarding this subject

D. WATER SUPPLY CONNECTIONS

Before using the product, we recommend filling its tank with water and draining it completely to remove any residual impurities.

Connect the water heater inlet and outlet to pipes or pipe fittings that can withstand the operating pressure and temperature of the hot water, which may reach 167°F (75°C). Do not use materials that cannot withstand such temperatures.

We recommend using a dielectric-type union (available at your local plumbing supplier). Dielectric unions can help prevent corrosion caused by tiny electric currents common in copper water pipes and can help extend the life of the water heater.

The appliance must not operate with water hardness levels below 120 ppm. If water hardness levels are above 250 ppm, it is advised to use a suitable calibrated and monitored water softener to lessen the effects of particularly hard water. Do not soften water below 150 ppm.

Screw a "T" (identified by cold water line) onto the appliance's water inlet pipe.

It is mandatory to install a shut off valve into this T fitting.

If installing in a closed system (isolated from the city main water line), install an expansion tank in the cold water line.

See drawing on the following page.

Do not install any shut-off device (valve, cock, etc.) between the safety unit and the water heater.

E. CONDENSATE DRAIN

The water heater has a condensate drain: therefore a drain must be available in close proximity to the unit. The drain must be no higher than 36" above the floor (laundry drain is acceptable). If no drain is available, a common condensate pump with a capacity no less than 1 gallon/day must be used.

This high efficiency product creates condensate (water) as part of the heating process and has a built-in condensation tray to collect condensate from the evaporator coil. The condensate drains out of the unit.

Screw the included "T" fitting (identified by cold water line) onto the appliance condensate drain outlet. Then pipe the no less than 3/4" condensate line with materials defined by local codes to the appropriate condensate drain or condensate pump. Ensure the pipe is protected from damage due to freezing conditions.

Direct the condensate pipe to a drain no higher than 3' above the floor (a laundry drain is acceptable). If such a drain is unavailable, install a common condensate drain pump with a capacity of no less than 1 gallon/day (not provided) and route condensate to an appropriate drain.

NOTE: Ensure condensate piping is protected from damage due to freezing conditions, and is not kinked or blocked in any way.

A blocked condensate drain pipe may cause overflow to occur.

⚠ CAUTION

The condensate line must remain unobstructed. If condensate is allowed to freeze in the line or obstructed in any other manner, condensate will leak in the drain pan. It is mandatory to install the leakage sensor and the drain pan to get the alarm.

When installing a condensate pump, select one approved for use with condensing appliances. The condensate pump should have an overflow switch to prevent property damage from spillage.

CAUTION

Do not manifold drainage pipes. Doing so will lead to improper operation and property damage. Such damage IS NOT covered by warranty.

CAUTION

Do not attach the same hose to both condensate ports. Doing so will lead to improper operation, condensate leakage, and property damage. Such damage IS NOT covered by warranty.

ANTIBACTERIA (ANTI-LEGIONELLA) FUNCTION

Legionella are small rod shaped bacteria which occur naturally in fresh water. Legionnaires disease is a serious pneumonia infection caused by inhaling the bacteria Legionella pneumophila or other Legionella species. This bacterium is frequently found in domestic, hotel and other water systems and in water used for air conditioning or air cooling systems. Hence the main intervention against the condition is prevention, through control of the organism in water systems. This storage water heater is supplied with the thermal disinfection cycle (Antibacterial Function) deactivated by default. It is recommended to run the Antibacterial function once every 30 days, raising the temperature of the water heater to 140F (60°C).

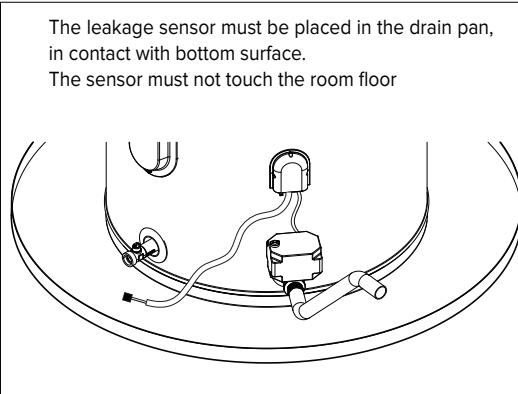
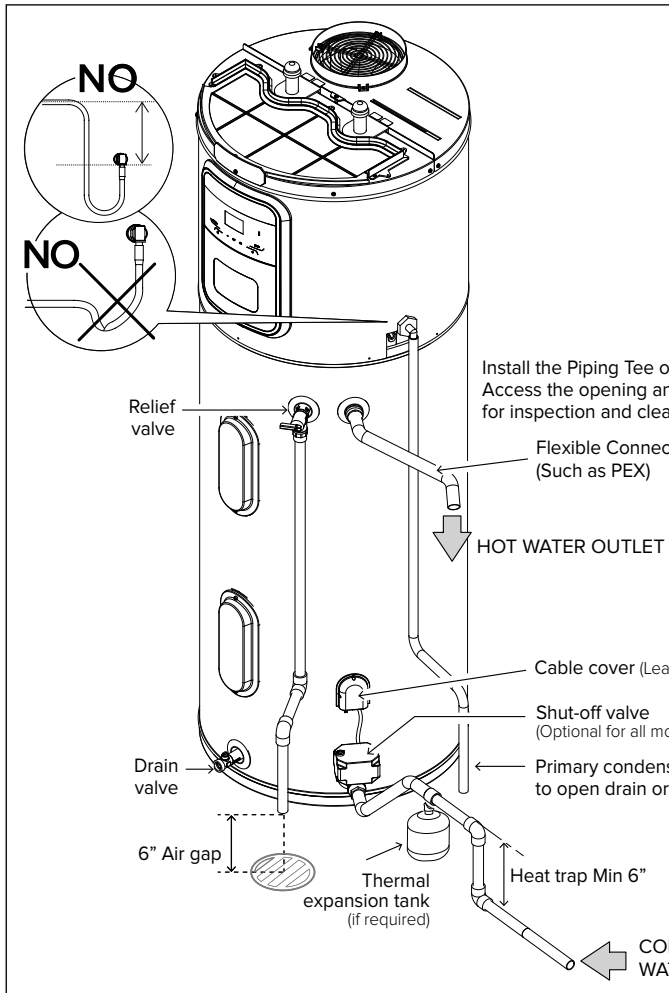
⚠ WARNING

An ASSE 1017 or ASSE 1070 temperature limiting or mixing valve is recommended in installations servicing disabled or elderly persons, or children. Mixing valves can reduce but do not eliminate the risk of scalding.

To avoid scalding:

- Set the water heater set point temperature as low as possible.
- Feel water before bathing or showering.
- If thermostatic valves are required, use devices specifically designed for such purpose. Install these devices in accordance with instructions provided by the manufacturer.

Failure to install a temperature limiting or mixing valve and follow these instructions could result in property damage, severe personal injury, or death due to scalds.



NOTE:
IF COPPER PIPING IS USED, UNIONS MUST BE DIELECTRIC AT INLET AND OUTLETS.

F. RELIEF VALVE

A combination temperature and pressure relief valve, complying with the Standard for Relief Valves and Automatic Gas Shut-Off Devices for Hot Water Supply Systems, ANSI Z21.22, is supplied and must remain installed in the opening provided and marked for the purpose on the water heater. No valve of any type should be installed between the relief valve and the tank. Local codes shall govern the installation of relief valves.

⚠ WARNING

The pressure rating of the relief valve must not exceed 150 PSI, the maximum working pressure of the water heater as marked on the rating plate. Failure to follow this warning could result in explosion, property damage, personal injury, or death.

The BTU/h rating of the relief valve must not be less than the input rating of the water heater as indicated on the rating label located on the front of the water heater (1 watt = 3.412 BTU/h). Connect the outlet of the relief valve to a suitable open drain so that the discharge water cannot contact live electrical parts or persons and to eliminate potential water damage.

Piping should be of a type approved for hot water distribution. The discharge line must be no smaller than the outlet of the valve and must pitch downward from the valve to allow complete drainage (by gravity) of the relief valve and discharge line. The end of the discharge line should not be threaded or concealed and should be protected from freezing. No valve of any type, restriction or reducer coupling should be installed in the discharge line.

⚠ WARNING

To reduce the risk of excessive pressures and temperatures in this water heater, install temperature and pressure protective equipment required by local codes and no less than a combination temperature and pressure relief valve certified by a nationally recognized testing laboratory that maintains periodic inspection of production of listed equipment or materials, as meeting the requirements for Relief Valves and Automatic Gas Shutoff Devices for Hot Water Supply Systems, ANSI Z21.22. This valve must be marked with a maximum set pressure not to exceed the marked maximum working pressure of the water heater, and orient it or provide tubing so that any discharge from the valve exits only within 6 inches above, or at any distance below, the structural floor, and does not contact any live electrical part. The discharge opening must not be blocked or reduced in size under any circumstances.

Failure to follow the instructions in this warning could result in explosion, property damage, personal injury, or death.

G. TO FILL THE WATER HEATER

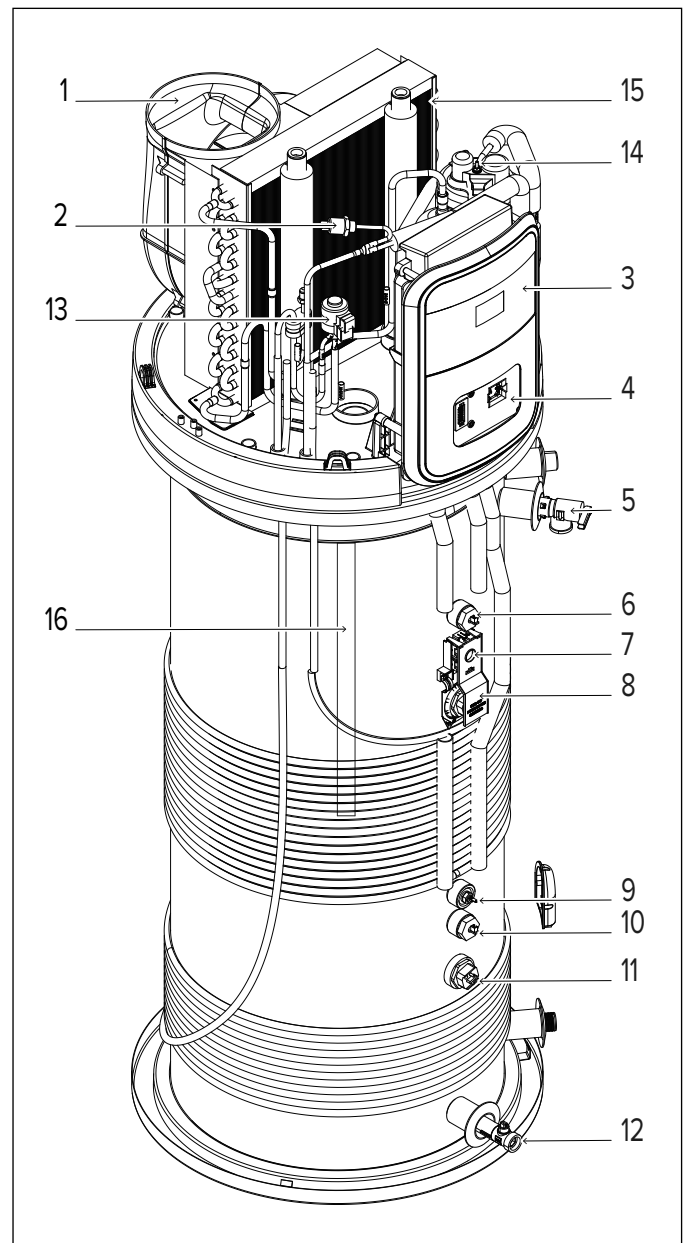
CAUTION

The tank must be full of water before water heater is turned on. The water heater warranty does not cover damage or failure resulting from operation with an empty or partially empty tank.

1. Make certain that the drain valve is completely closed.
2. Open the shut-off valve in the cold water supply line (shut off valve not included in all models).
3. Open each hot water faucet slowly to allow the air to vent from the water heater and piping.

A steady flow of water from the hot water faucet(s) indicates a full water heater.

H. MAIN COMPONENTS



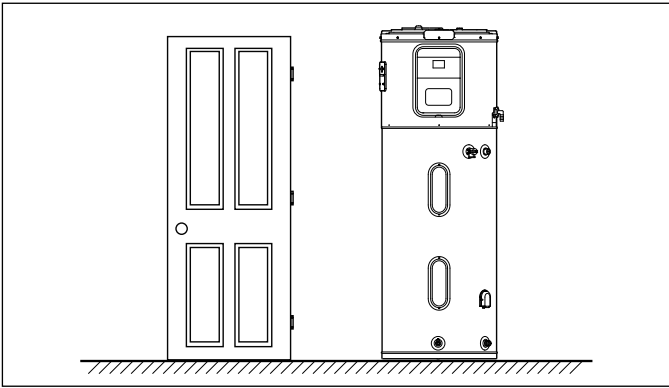
1	Fan
2	Safety pressure switch
3	Electronic box
4	ECOPORT
5	Relief valve
6	Top NTC temperature sensor (hot water)
7	Thermostat
8	Upper element
9	Powered Anode
10	Bottom NTC temperature sensor (heating element zone)
11	Bottom element
12	Drain valve
13	Electronic expansion valve
14	Compressor
15	Evaporator
16	Magnesium Anode

I. AIR SUPPLY CONNECTIONS

LOCATIONS THAT PROVIDE OPTIMAL EFFICIENCY

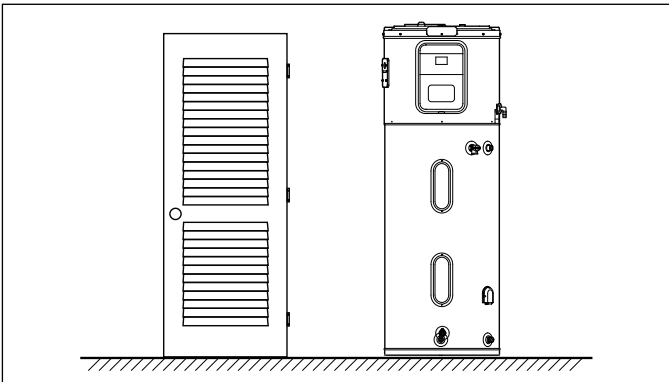
Heater: Not Ducted

Room size: Larger than 700 ft³ (e.g. 7' x 10' x 10').
Requirements: No additional ventilation needed.



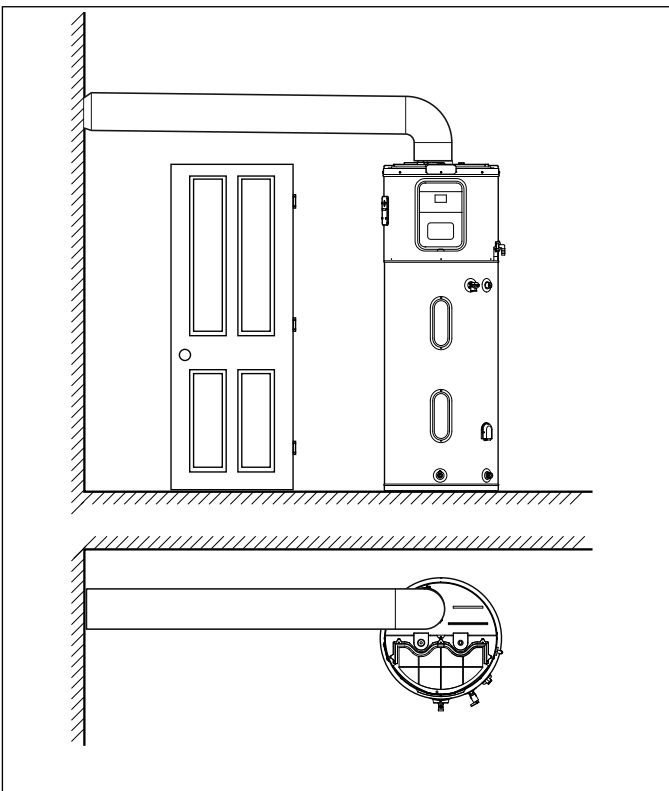
Heater: Not Ducted

Room size: Smaller than 700 ft³ (e.g. 7' x 10' x 10').
Requirements: Full louvered door OR two louvers top and bottom. See below.



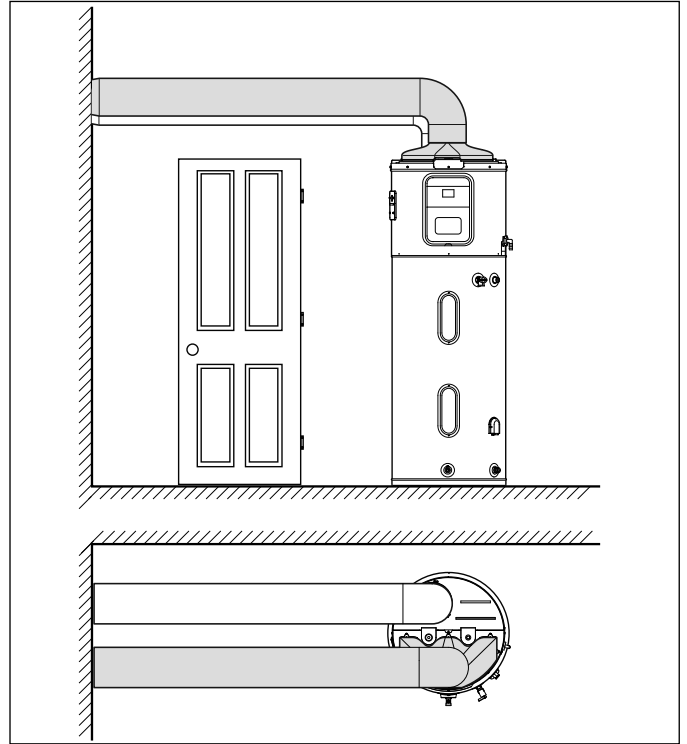
Heater: Ducted with outlet duct

Room size: Any size room
Requirements: No additional ventilation needed.



Heater: Ducted with inlet AND outlet duct

Room size: Any size room
Requirements: No additional ventilation needed.



MAXIMUM DUCT LENGTH

Duct Type Diameter	8"	7"	6"	5"
RIGID	340'	160'	65'	17'
FLEXIBLE	125'	65'	25'	--

EQUIVALENT FEET FOR DUCT ACCESSORIES

Description	8"	7"	6"	5"
Elbows/Flexible Bends (Each) [Maximum 11 Allowed]	5' [8]	5' [8]	5' [8]	5' [8]
8 inch UL Certified Termination for ducting outside (Each)	5'	5'	5'	5'
Reduced diameter UL Certified Termination for ducting outside (Each)	N/A	10'	15'	20'
8 inch Register for ducting inside (Each)	5'	5'	5'	5'
Reduced diameter Register for ducting inside (Each)	N/A	10'	15'	20'
Rodem Screen (must be greater than 83% open area) (Each)	1'	1'	1'	1'
Approved 8" diameter Duct Damper	25'	20'	10'	5'

NOTE: Lists equivalent reel for duct accessories and reduced diameter terminations.

J. ELECTRICAL CONNECTIONS

CAUTION

Tank must be full of water before the power is turned on. Heating elements will be damaged if energized for even a short time while tank is dry. Failures due to "dry-firing" ARE NOT covered by warranty.

The water heater must be wired to a separate 30 amp, 240V circuit with copper conductors, surge protective device, and suitable disconnecting means provided by a qualified electrician. All wiring must conform to local codes or the latest edition of the National Electrical Code ANSI/NFPA 70.

The water heater is completely wired to the junction box at the top of the water heater. An opening for a 1/2" or 3/4" electrical fitting is provided for field wiring connections.

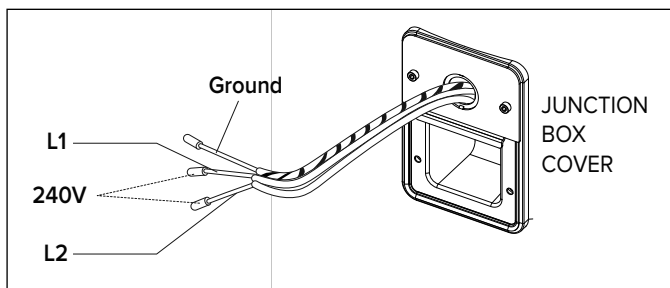
The voltage requirements and wattage load for the water heater are specified on the rating label on the front of the water heater.

The branch circuit wiring should include either:

1. Metallic conduit or metallic sheathed cable approved for use as a grounding conductor and installed with fittings approved for the purpose.
2. Non metallic sheathed cable, metallic conduit, or metallic sheathed cable not approved for use as a ground conductor shall include a separate conductor for grounding. It should be attached to the ground terminals of the water heater and the electrical distribution box.

CAUTION

Do not mis-wire electrical connections. 240V AC must be applied to the L1 and L2 wires shown in shown below. Failure to properly wire the water heater may damage the compressor or other electrical components. Such failure will VOID the warranty.



⚠ WARNING

Proper ground connection is essential. The presence of water in the piping and water heater does not provide sufficient conduction for a ground. Non metallic piping, dielectric unions, flexible connectors, etc., can cause the water heater to be electrically isolated. Improper grounding could result in severe personal injury or death due to electric shock.

The water heater warranty does not cover any damage or defect caused by installation, attachment, or use of any type of energy-saving or other unapproved devices (other than those authorized by the manufacturer) into, onto, or in conjunction with the water heater. The use of unauthorized energy-saving devices may shorten the life of the water heater and may endanger life and property.

The manufacturer disclaims any responsibility for such loss or injury resulting from the use of such unauthorized devices.

If local codes require external application of insulation blanket kits, the manufacturer's instructions included with the kit must be carefully followed.

K. REGULATORY COMPLIANCE

FCC

This equipment has been tested and found to comply with the limits for a Class B digital device, pursuant to part 15 of the FCC Rules. These limits are designed to provide reasonable protection against harmful interference in a residential installation. This equipment generates, uses and can radiate radio frequency energy and, if not installed and used in accordance with the instructions, may cause harmful interference to radio communications. However, there is no guarantee that interference will not occur in a particular installation. If this equipment does cause harmful interference to radio or television reception, which can be determined by turning the equipment off and on, the user is encouraged to try to correct the interference by one or more of the following measures:

- Reorient or relocate the receiving antenna.
- Increase the separation between the equipment and receiver.
- Connect the equipment into an outlet on a circuit different from that to which the receiver is connected.
- Consult the dealer or an experienced radio/TV technician for help.

Warning: Changes or modifications not expressly approved by the party responsible for compliance could void the user's authority to operate the equipment. (Part. 15.21). This device complies with part 15 of the FCC Rules. Operation is subject to the following two conditions: (1) this device may not cause harmful interference, and (2) this device must accept any interference received, including interference that may cause undesired operation.

IC

This equipment has been tested and found to comply with the limits for a Class B digital device, pursuant to RSS-210 of the IC Rules. These limits are designed to provide reasonable protection against harmful interference in a residential installation. This equipment generates, uses and can radiate radio frequency energy and, if not installed and used in accordance with the instructions, may cause harmful interference to radio communications. However, there is no guarantee that interference will not occur in a particular installation. If this equipment does cause harmful interference to radio or television reception, which can be determined by turning the equipment off and on, the user is encouraged to try to correct the interference by one or more of the following measures:

- Reorient or relocate the receiving antenna.
- Increase the separation between the equipment and receiver.
- Connect the equipment into an outlet on a circuit different from that to which the receiver is connected.
- Consult the dealer or an experienced radio/TV technician for help.

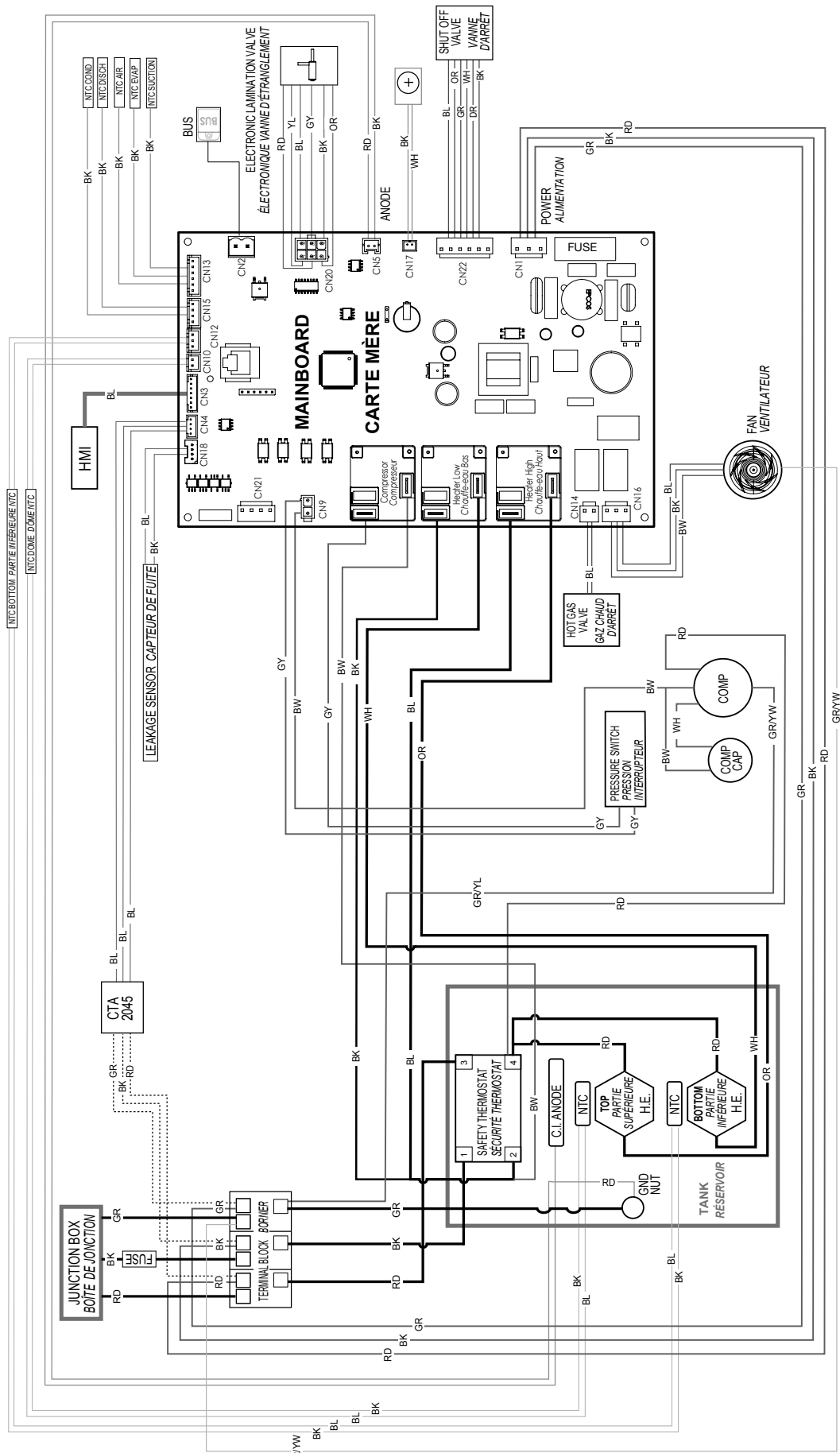
Warning: Changes or modifications not expressly approved by the party responsible for compliance could void the user's authority to operate the equipment. (RSS-210). This device complies with RSS-210 of the IC Rules. Operation is subject to the following two conditions: (1) this device may not cause harmful interference, and (2) this device must accept any interference received, including any interference that may cause undesired operation.

Radiation Exposure Statement

To comply with FCC and Industry Canada RF exposure limits for general population / uncontrolled exposure, the antenna(s) used for this transmitter must be installed to provide a separation distance of at least 0,78 in (20 mm) from all persons and operating in conjunction with any other antenna or transmitter, except in accordance with FCC multi-transmitter product procedures.

	CABLE	FUSE
Permanent power supply (cable supplied with the appliance)	AWG 10 ϕ min. 5.26 mm ²	30A

INTERNAL WIRING DETAILS



WIRE COLOR CODE	CODE COULEUR DU FIL
BK	BLACK NOIR
BW	BROWN MARRON
BL	BLUE BLEU
GR	GREEN VERT
GY	GRAY GRIS
OR	ORANGE ORANGE
FU	FUCHSIA FUCHSIA
RD	RED ROUGE
WH	WHITE BLANC
YW	YELLOW JAUNE

—	10 AWG
—	12 AWG
—	16 AWG
—	18 AWG
—	20 AWG
—	22 AWG
—	23 AWG
—	24 AWG

PART 3 – CONTROLS

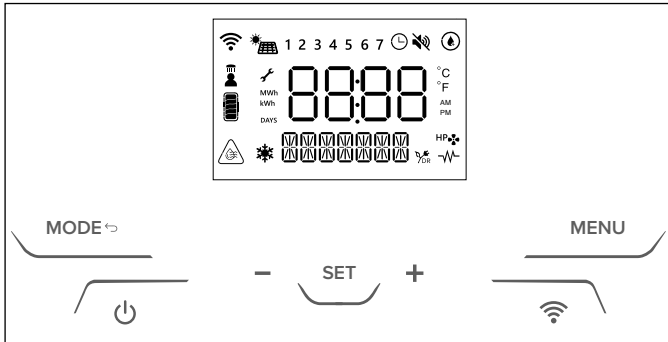


WARNING!

The installation and initial start-up of the appliance must be performed by qualified personnel in compliance with the national regulations in force regarding installation.

A. CONTROL OVERVIEW

The user interface has an LCD display and 7 touch buttons. There are 2 blue LEDs: POWER (when power supplied to the product) and BOOST (when BOOST has been activated).



List of the icons shown on the display:

	Error has occurred
	Wi-Fi enabled
	Schedule programming enabled
1...7	Day of the week (1 = Sunday)
	Heat pump active
	Heating element active
	Antibacterial (Antilegionella) function is enabled
DR	Demand Response enabled
	ANTIFREEZE function is enabled
	Scald Warning - Tset > 125F
	Hot water shower available
	Estimated available hot water (based on the set temperature)

Once the water heater is connected to the water and electric systems, it must be filled with water. To fill the water heater, open the cold water main supply valve and the nearest hot water tap. Ensure that all air is purged from the system. Visually inspect for possible water leaks from the flange and pipe fittings and gently tighten them, if necessary. The heat pump requires 5 minutes to become fully operational when starting for the first time.

Upon installation, if the inlet and tank water temperature are below 49°F, the heating elements will be used to heat the water. Once both the temperatures sensors reach 49°F, the heat pump will begin to operate.

WARNING! Hot water temperatures above 120°F (50°C) may immediately cause serious burns. Children, the disabled and the elderly run a greater risk in this regard. Therefore, it is advisable to install a thermostatic mixing valve in the water heating system.

WARNING!

If the water temperature is set above 125°F, the display shows this icon indicating risk of scald.

B. INSTRUCTIONS FOR USE

Press the " " button to turn the water heater on.

The display shows the set temperature and operation mode, while the " " symbol and/or " " symbol indicate the operation of the heat pump and/or heating element respectively.

Press the " " button for 1 second to switch off the water heater.

Protection against tank corrosion is provided by a titanium impressed current anode. The water heater ensures that water temperature inside the tank does not fall below 41 °F (5°C).

SETTING THE TEMPERATURE

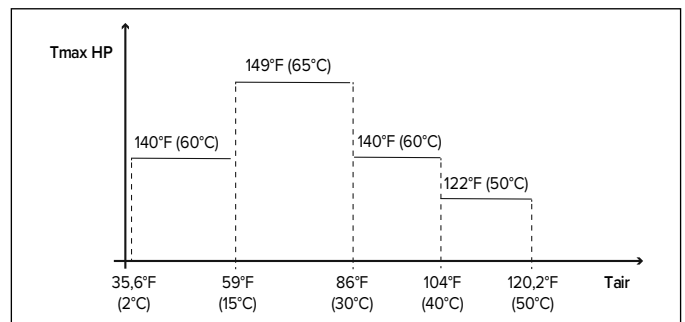
Press the " + " and " - " buttons to set the desired hot water temperature (The display will temporarily flash "T SET POINT").

Press " **SET** " button to display the temperature of the water in the tank; it will be shown for 3 seconds.

In heat pump mode the min/max temperatures are 104°F/149°F (40°C/65°C), by default settings. The maximum achievable temperature with the heating element is 149°F (65°C). This value can be changed in the installer menu.

HEAT PUMP TEMPERATURE

The maximum achievable temperature while the heat pump is in operation is a function of the air temperature. The table below shows possible heat pump operation temperatures based on air inlet temperatures.



SHOWERS AVAILABLE " "

When the display shows the icon above, at least one shower is available. The available showers depend on the availability of hot water. One shower is calculated as: 10 gal at 104°F (37,8l at 40°C). Need to adjust functionality - 18 gallon minimum @105F (8 gallons @ 2.2GPM)

MODE OF OPERATION

With the " **MODE** ⇄ " button you can modify the operating mode used by the water heater to reach the set temperature. The selected mode will be displayed on the line below the temperature.

- **GREEN**
Heat pump only, and priority is given to energy saving. The heating element will only turn on for back-up or safety functions (errors, air temperature out of operating range, defrosting in progress, antibacterial).
- **COMFORT (Hybrid – default operating mode)**
the water heater reaches set temperature with the rational use of the heat pump and, only if necessary, of the heating element. The priority is given to comfort.
Performance tests have to be done under Comfort operating mode.
- **FAST**
The water heater uses both the heat pump and heating element to reach set temperature. Priority is given to heating time.
- **ELECTRIC**
The water heater uses non-simultaneous heating element operation only. The heat pump is disabled in this mode.
- **BOOST (One time operation per activation)**
Both the heat pump and heating element are used to reach the set temperature in the shortest possible time. Once set temperature is reached the previous working mode reactivates.

• **I-MEMORY**

This mode uses a proprietary algorithm to reduce energy consumption and maximize comfort by monitoring the hot water needs of the user to optimize the use of the heat pump/heating element.

The control meets daily need by averaging use profiles over the previous four (4) weeks.

In the first week of acquisition, the set point temperature entered by the user remains constant. From the second week on the control automatically adjusts the set point temperature to meet daily needs. To reset the I-Memory profile use U9. (I-Memory mode is visible when U1: PROGRAM is "OFF").

• **HOLIDAY**

Use this mode when hot water will not be needed for an extended time (such as a vacation). After the chosen time period Vacation mode will deactivate and the product will operate at its previous setting. Vacation mode is set in the User Menu. In this mode, no heating is performed; antifreeze protection and antibacterial cycle are guaranteed.

After revision of the controls: "The display will read "AWAY""

C. USER MENU

To access the user menu, press " MENU ".

The word INFO will appear on the display. Press the " + " and " - " buttons to scroll the parameters U1, U2, U3 ... U10. Parameter descriptions are shown below. Once you have chosen the parameter press the " SET " button to select it. To return to the parameter selection, press the " MODE↔ " button.

PARAMETER	NAME	PARAMETER DESCRIPTION
U1	PROGRAM	TURN ON TO USE TIME BASED OPERATION COMPATIBLE MODES: GREEN, COMFORT, FAST, ELECTRIC I-MEMORY IS NOT COMPATIBLE WITH PROGRAM FUNCTION.
U2	PRGTIME	User can select the desired time slots for PROGRAM function (See TIME SCHEDULING).
U3	PRG SET	User can customize the time programming (See PROGRAM SETTINGS).
U4	HOLIDAY/ AWAY	Activate/Deactivate HOLIDAY/AWAY mode When On is confirmed the user has to enter the number of away days as "Vacation Days". [1, 99]
U5	ANTBACT	Not available.
U6	DATE	Sets the date (Year, Month, Day) and time (hours and minutes). User can enable/disable the auto switch among daylight saving time/.... hour.
U7	REPORTS	Displays total energy consumption.
U8	SILENT	not available
U9	I-MRESET	This function deletes saved I-MEMORY data and restarts control learning. To reset delivery profiles select On and press the SET button.
U10	WIFI RS	WHERE AVAILABLE To reset the Wi-Fi data, select On and press the SET button.
U11	UN-TYPE	SI/USA unit type format . Default value USA.
U12	HR TYPE	24h/12h time format. Default value 12h
U13	DR BREAK	This parameter is used to enter/exit demande response override.
U14	TOU CON	It opens the access point to upload the TOU tariffs offline.

• **TIME SCHEDULING**

U2 PRGTIME parameter.

Time scheduling mode can be activated and deactivated through parameter U1 in USER MENU.

When the program mode is activated, product will only work to achieve the set temperature in the selected time slots and will be limited to the product minimum temperature out of the time slots (the minimum temperature can be adjusted through parameter P5 in installer menu), except in the case if it is activated PREHEAT function (U3.2 in user menu) because the heat pump pre-heats the water and set temperature is met at the beginning of the selected time program.

Time scheduling works only in the operating modes GREEN, COMFORT, FAST and ELECTRIC

Use [START] and [STOP] define the beginning and the end of a time slot. After the fourth time slot, to reset the time slot selected and the ones after, press " + " " - " until "OFF" is displayed and then press "SET". If a time slot is not set it remains as not defined.

Example: the water heating system is active from 8 am to 12 pm and from 4 pm to 8 pm.

[START1] = 8:00; [STOP1] = 12:00;

[START2] = 16:00; [STOP2] = 20:00;

[START3] = 00:00; [STOP3] = 00:00;

[START4] = 00:00; [STOP4] = 00:00;

If ALL_DAYS is selected the same time slots are assigned from Monday to Sunday. Then each day of the week can be customized one by one, selecting the corresponding parameter.

Therefore, each day of the week can be customised one by one by selecting the corresponding parameter.

Warning: if the selected time period is too short, the desired temperature may not be reached.

PARAMETER	NAME	PARAMETER DESCRIPTION
U2.1		SAME SCHEDULE FOR ALL DAYS
U2.2	SUNADY	
U2.8	SATURDAY	Individual daily scheduling.

Download the Comfort Link APP to manage time scheduling on your smart device.

• **PROGRAM SETTINGS**

U3 PRG SET parameter. Allows the user to customize different working modes when U1 is On.


PARAMETER	NAME	PARAMETER DESCRIPTION
U3.1	T MIN	Minimum water temperature is guaranteed regardless of the time program.
U3.2	PREHEAT	The heat pump pre-heats the water. Set temperature is met at the beginning of the selected time program.

D. INSTALLER MENU



CAUTION!

THE FOLLOWING PARAMETERS MUST ONLY BE ADJUSTED BY QUALIFIED PERSONNEL

The main product settings can be modified via the installer menu. The changeable parameters are shown on the display together with the wrench symbol .

To enter the installer menu press the "MENU" button for 3 seconds, press the "+" and "-" buttons and enter the access code 234.

PARAMETER	NAME	PARAMETER DESCRIPTION
P0	CODE	Entering the code to access the installer menu. The display will show the number 222, press the "+" and "-" and enter the code 234, press the "SET" button to confirm. It will then be possible to access the installer menu.
P1	NOT AVAILABLE	
P2	ANTIBACT	To disable/enable the antibacterial (antilegionella) function ON (function enabled) - OFF (function disabled)
P3	T ANTB	Gives the temperature to be achieved 140°F/ 149°F [60/65°C] with the antibacterial cycle and to be maintained for 1 hour at least.
P4	T MAX	Adjustment of the maximum obtainable temperature 140°F/ 149°F [60/65°C]. A higher temperature value allows for using a greater amount of hot water.
P5	T MIN	Adjustment of the minimum obtainable temperature 104°F/ 122°F [40/50°C]. A lower temperature setting allows for more energy-efficient operation in the event of limited hot water consumption.
P6	I-M TMIN	Minimum temperature to be guaranteed in I-Memory mode when no withdrawals have been detected by the algorithm.
P7	TMAX HP	Not available.
P8	TMINAIR	Minimum air temperature that ensures the heat pump working; if air temperature goes below this value the compressor is inhibited. It can be set by the installer in the 36°F / 50°F [2, 10°C] range.
P9	HYST	Hysteresis (offset) value that allows the heat pump to restart after having achieved the target temperature. It can be set by the installer in the 5°F/21°F [3/ 12°C] range.
P10	TANKVOL	Displays tank capacity. Useful for spare part ordering. ex. 50 = 50 gallon.
P11	NOT AVAILABLE	
P12	NOT AVAILABLE	
P13	NOT AVAILABLE	
P14	NOT AVAILABLE	
P15	NOT AVAILABLE	
P16	SILENT	Not available.
P17	GAS CHARGE	Gas refill operation.
P18	FACT RS	Restoring the factory settings. All the user settings will be reset to default values with the only exception of energy statistics, tank volume and Wi-Fi.
P19	MB SW	HP-TOP-MB software version as MM.mm.bb.
P20	HMI SW	HP-MED-HMI software version as MM.mm.bb.
P21	T LOW	Gives the water temperature read by the NTC placed at low position in the water tank. If the NTC is in error "-" is shown.
P22	NOT AVAILABLE	
P23	T DOME	Gives the water temperature read by the NTC placed at dome position in the water tank. If the NTC is in error "-" is shown.
P24	T AIR	Gives the air temperature read by the NTC placed on the outside unit. If the NTC is in error "-" is shown.
P25	T EVAP	Gives the gas temperature in °C/°F read by the NTC placed before the evaporator on the outside unit. If the NTC is in error "-" is shown.

PARAMETER	NAME	PARAMETER DESCRIPTION
P26	T SUCT	Gives the gas temperature in °C/°F read by the NTC placed before the compressor on the outside unit. If the NTC is in error "-" is shown.
P27	T COND	Gives the gas temperature in °C/°F read by the NTC placed after the condenser on the outside unit. If the NTC is in error "-" is shown.
P28	T DISC	Gives the gas temperature in °C/°F read by the NTC placed after the compressor on the outside unit. If the NTC is in error "-" is shown.
P29	T SH	Gives the superheating temperature in °C/°F. If the NTC evap or suction are in error "-" is shown.
P30	ERRORS	Allows navigation among last 10 errors that occurred
P31	WI-FISET	The Wi-Fi function (if available) can be set to: ON (function enabled) OFF (function disabled)
P32	F ANTB	Frequency of Antibacterial cycle if active. Can be set between 1 and 30 days.
P33	NOT AVAILABLE	
P34	NOT AVAILABLE	
P35	UN-TYPE	SI/USA unit type format . Default value USA.
P36	HR TYPE	24h/12h time format. Default value 12h.
P37	DR ENABLE	Enable/disable demand response.
P38	MIX VALVE	Mixing valve present/not present.
P39	SHUT OFF VALVE	Shut off valve present/not present.
P40	LEAKAGE	Leakage sensor present/not present.
P42	ELE_FAST	Maximum operating limit of 72h for FAST, ELECTRIC and BOOST modes: ON (default) OFF (no hourly limit is applied)
P43	TOU SET	It activates the TOU tariffs.

DEMAND RESPONSE (DR)

If the CTA 2045 module (or EcoPort module) is connected to the product through the EcoPort and the parameter P37 is enabled, the product will be ready to receive commands from the utility.

Several commands can be received, such as:

- SHED
- LOAD UP

When the command is received from the grid, the product should stop normal operation and follow the action of the command.

The display will show the text "SHED" or "LOAD UP" instead of the working mode. If necessary, the user can override the command by choosing a different operating mode or by parameter U13 for maximum 72 hours ICON DR:

off: DR disabled

on: DR enabled

blinking: DR enabled and override is in progress

In case product is connected to Demand Response and may receive Advanced Load Up commands, installation must include an ASSE1017 mixing valve and installer parameter P38 must be set to ON.

TIME OF USE (TOU)

If the product is set on a TOU schedule (see dedicated Quick Start Guide), product will run in TOU mode. Similar to DEMAND RESPONSE, the display will show "SHED" or "LOAD UP", instead of the working mode, depending on the tariff. TOU can only be disabled by parameter P43 in installer menu

WARNING

It is suggested not to use time scheduling when demand response is active in order to avoid discomfort



ANTI-FREEZE FUNCTION

If the temperature of the water in the tank falls below 41°F (5°C) while the appliance is powered, the heating element (4500W) will automatically activate to heat the water up to 60.8°F (16°C).

WI-FI FUNCTION (only if present)

For detailed information on Wi-Fi setup and product registration process, please refer to the enclosed Quick Start Guide, dedicated to connectivity.

CONNECTION STATUS DESCRIPTION

 Wi-Fi BUTTON / PARAMETER	ICONE Wi-Fi 	ACTION
Press once	Blink slow	Wi-Fi module is ON
Press for 5 seconds	AP	Wi-Fi module is on Access Point
	Blink slow	Wi-Fi module is connecting to the home network
	Double blink fast	Wi-Fi module is connecting to the home network and Internet
	Steady	The Wi-Fi module is configured correctly
	OFF	The Wi-Fi module is OFF
Press for 20 seconds	Steady	Wi-Fi statistics reset
Select U10 parameter	Blink fast	Wi-Fi reset command sent

DEFAULT SETTINGS

The appliance is manufactured with a series of default modes, functions or values, as indicated in the table below:

PARAMETER	FACTORY DEFAULT SETTING
WORKING MODE	COMFORT
DEFAULT SET TEMPERATURE	125°F (52°C)
MAX. TEMPERATURE SETTABLE WITH THE HEATING ELEMENT	149 °F (65°C)
MINIMUM SETTABLE TEMPERATURE	104 °F (40°C)
MAX. TEMPERATURE SETTABLE WITH THE HEAT PUMP	149°F (65°C) (for details check the diagram above)
ANTIBACTERIAL PROTECTION	DEACTIVATED
VACATION MODE	DEACTIVATED
HYSTERESIS (OFFSET)	9 °F (5°C)

FAULTS

If a fault occurs, the appliance will enter fault mode. The display will flash symbols along with the error code. If the fault involves the heat pump, the symbol "HP" will flash on the screen. If the fault involves the heating element, the element symbol will flash. If both components are affected, both symbols will flash.

If the fault affects only one of two the heating sources (HP or Heating Element), the water heater will continue supplying hot water by activating the other heat source.

PART 4 – MAINTENANCE, VACATION, AND CLEANING

A. ROUTINE PREVENTIVE MAINTENANCE

If properly maintained, your water heater will provide years of dependable, trouble-free service. It is suggested that a routine preventive maintenance program be established and followed by the user.

PERIODIC INSPECTION

It is further recommended that a periodic inspection of the operating controls, heating elements, and wiring should be conducted by service personnel qualified in electric water heater repair.

Most electrical water heaters, even when new, make some sound when in operation. If the sound level increases excessively, the electric heating element may have scale buildup and require cleaning or replacement. Contact a qualified installer or plumber for inspection.

TEMPERATURE AND PRESSURE RELIEF VALVE

At least once a year, lift and release the lever handle on the temperature and pressure relief valve, located on the front side of the water heater, to make sure the valve operates freely. Allow several gallons of water to flush through the discharge line to an open drain.

⚠ WARNING

Before manually operating the relief valve, make certain no one will be exposed to the hot water released by the valve. The water may be hot enough to create a scald hazard.

The water should be released into a suitable drain to prevent property damage, severe personal injury, or death from scalds.

NOTE: If the temperature and pressure relief valve on the hot water heater discharges periodically, this may be due to thermal expansion in a closed water system. Contact the water supplier or your plumbing contractor on how to correct this. Do not plug the relief valve outlet.

Flushing the Tank

The water heater tank can act as a settling basin for solids suspended in water. It is therefore not uncommon for hard water deposits to accumulate in the bottom of the tank. To clean the tank of these deposits, open the drain valve (located under the large decorative cover near the bottom of the unit) and drain a few quarts of water from the water heater every month.

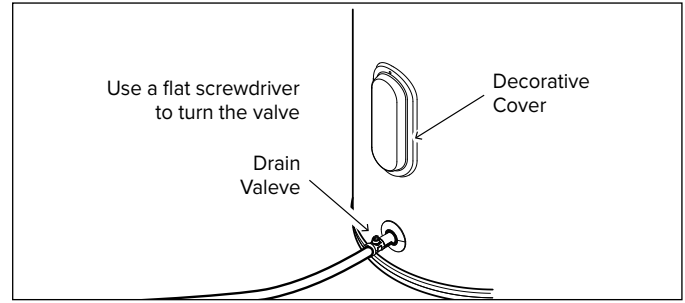
B. DRAINING THE WATER HEATER

⚠ WARNING

Shut off power to the water heater before draining water. Failure to do so could lead to property damage, serious personal injury, or death.

Attach a garden hose to the drain valve located at the bottom of the unit and direct the hose to a drain. The decorative front cover must be removed to access this valve.

In order to completely drain the water heater, turn off the main cold water supply valve. Open a hot water faucet or lift the handle on the relief valve to admit air into the tank.



Open the drain valve. When done draining, close the drain valve, reopen the cold water supply, and refill the tank. Open a hot water faucet to vent the system of air.

C. VACATION AND EXTENDED SHUTDOWN

If the water heater is to remain idle for an extended period of time, the unit should be put into Vacation (holiday/away) mode to conserve energy and prevent a buildup of dangerous hydrogen gas.

After a long shutdown period, the water heater operation and controls should be checked by qualified service personnel. Make certain the water heater is completely refilled before placing it in operation.

⚠ WARNING

Hydrogen gas can be produced in a hot water system that has not been used for a long period of time (generally two weeks or more).

HYDROGEN GAS IS EXTREMELY FLAMMABLE! To dissipate such gas and reduce the risk of injury or death, it is recommended that the kitchen sink hot water faucet be opened for several minutes before using any electrical water heater connected to the hot water system. If hydrogen is present, there will be an unusual sound, such as air escaping through the pipe as water begins to flow. Do not smoke or use an open flame near the faucet while it is open.

D. CLEANING THE FILTER

Partial obstruction of the evaporator filter causes a reduction in product performance. We therefore recommend cleaning the filter to remove any dust or obstructions at least once a year.

The filter can be extracted using the appropriate clip above the casings. Clean the filter with water and mild soap.

Verify that the external terminal of the air exhaust duct, and the duct itself, are not obstructed or deteriorated.

Ensure the condensate water runs to a suitable drain and that the discharge is not blocked.

Check and clean drain pipes, louvers and grills.

E. CLEARING THE CONDENSATION DRAIN TUBES

If the condensate drain hose clogs, water will spill down the outside of the unit.

Periodically inspect the drain lines and clear any debris that may have collected in the lines.

PART 5 – INSTALLATION CHECKLIST

- 1. Tank Location:
Is room size less than 10' x 10' x 7' (700 cu. Ft.)? If yes, lowered door or similar ventilation is needed.
Is the front of unit clear of any obstructions?
Is the water heater level? If not, add shims under the base of the unit.
Is a catch pan installed to prevent damage to surrounding area in case water heater leaks?
- 2. Plumbing connections:
Do plumbing connections allow air filter removal?
Are the tank and all related plumbing connections leak free?
- 3. Condensate lines are in place:
Connect the condensate drain outlet to a condensate pump or directly into a floor drain
- 4. Temperature and pressure relief valve is working and drain lines completed per local codes.
- 5. Electrical connections allow air filter removal.
- 6. Verify control displays 120°F in Comfort Mode.
- 7. Front cover is in place.

PART 6 – STARTUP: WHAT TO EXPECT

After the water heater has been installed with all electrical and water connections secure and checked, fill the unit with water. While filling, vent the tank by opening a hot water faucet somewhere in the home (preferably at the kitchen sink). When water flows freely, the tank is full.

Once the tank is full, energize the water heater. Press the POWER button on the user interface to turn the water heater on. Once powered, the control will display a reminder to ensure the water heater is full. Press POWER again to acknowledge that the water heater is full.

0 min to 6,5 min preventilation only fan ON.

NOTE: The heat pump ambient operating range is 35°F to 120°F. If the ambient temperature is outside this range, the heat pump will not be able to run and the backup electric elements will operate until the ambient temperature returns to operating range.

PART 7 – MAINTENANCE CHECKLIST AND ERROR CODES



Before intervening by following the recommendations below, check for the correct electrical connection of the components to the mainboard and the correct positions of the NTC sensors in their seats.

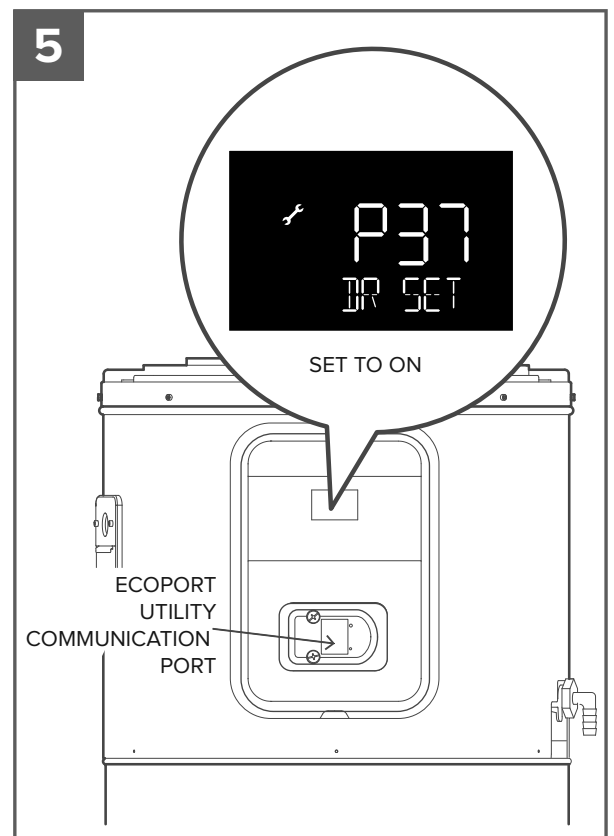
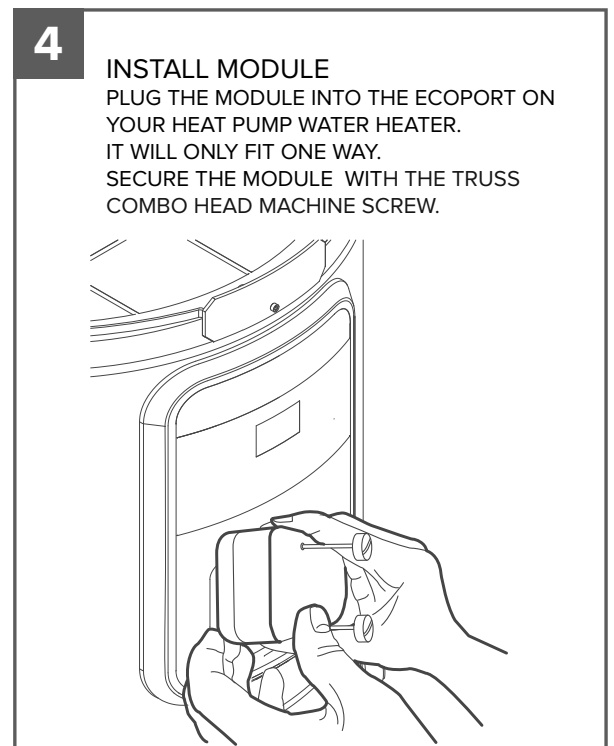
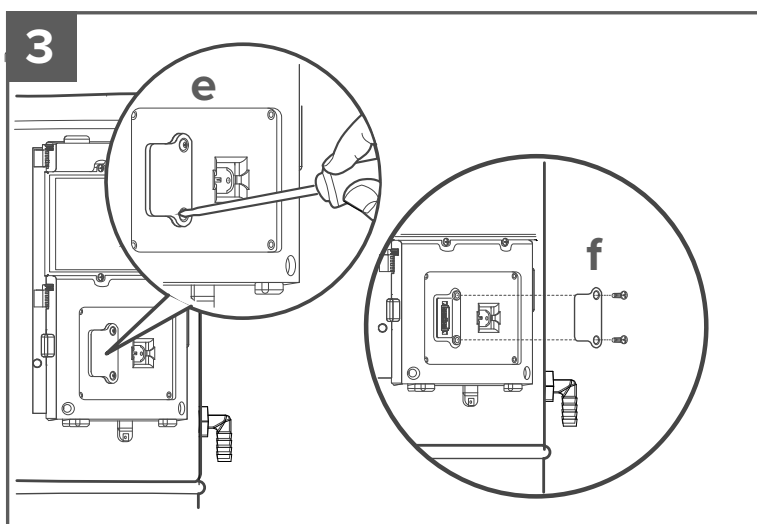
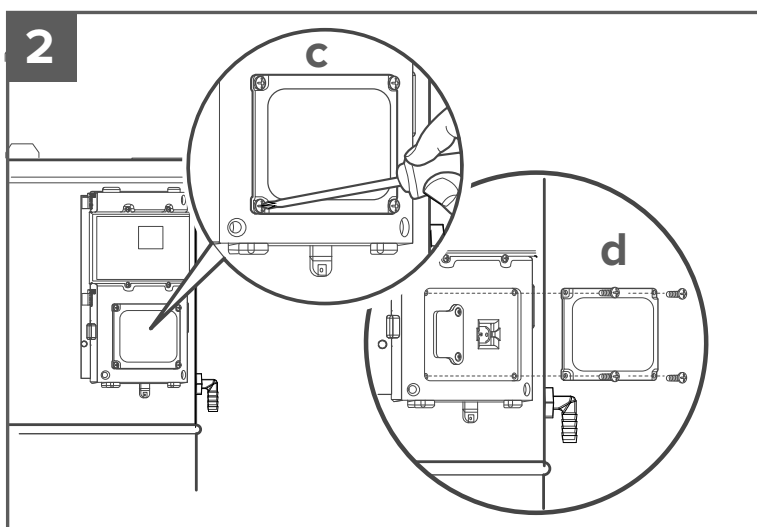
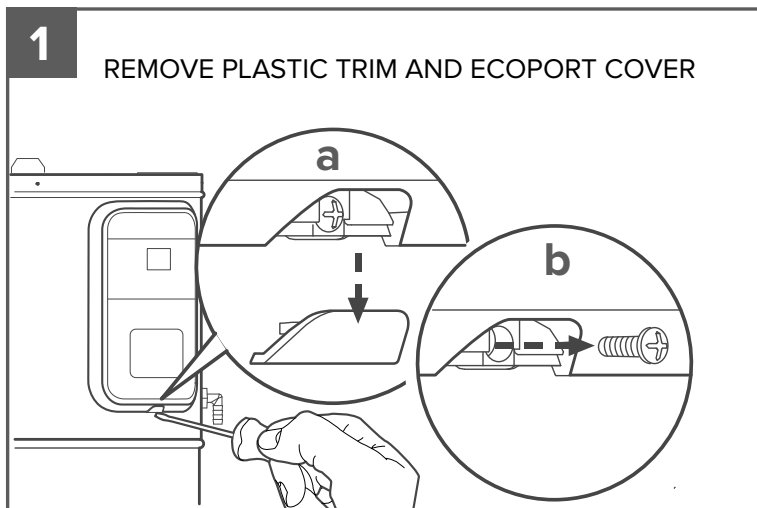
Error code	Cause	Heating element operation	Heat pump operation	What to do
007	NTC Condenser: Open or Short Circuit	ON	OFF	Verify NTC Condenser proper functioning.
008	NTC Discharge (Compressor Outlet): Open or Short Circuit	ON	OFF	Verify NTC Discharge proper functioning.
009	NTC Air: Open or Short Circuit	ON	OFF	Verify NTC Air proper functioning.
010	NTC Evap: Open or Short Circuit	ON	OFF	Verify NTC Evap proper functioning.
012	NTC Suction (Compressor Inlet): Open or Short Circuit	ON	OFF	Verify NTC Suction proper functioning.
013	Drain pipe sensor not connected	ON	OFF	No menu parameter only with dfls by plant.
021	Gas Leak	ON	OFF	Verify compressor inlet sensor proper functioning. If the error persists, recover residual gas; find the leak in the cooling circuit; repair it; make vacuum and recharge circuit with 950g of refrigerant gas.
032	Compressor Issue	ON	OFF	Check power voltage on compressor connector.
042	Evaporator Obstructed	ON	OFF	Turn off the appliance. Check that the evaporator, the enclosure grill and/or the air filter are not obstructed.
044	Fan Issue	ON	OFF	Check power voltage on fan connector. Control the proper functioning of sensor at compressor inlet.
048	High Pressure	ON	OFF	Check pressure switch wiring. Verify gas quantity.
049	Water detected on drain pipe	ON	OFF	No menu parameter only with dfls by plant.
051	Pressure switch	ON	OFF	Check pressure switch wiring. Verify gas quantity.
218	Dome NTC sensor (hot water): Open or Short Circuit	ON	OFF	Verify NTC sensor (hot water) proper functioning.
230	Water Temperature Sensor (Heating Element Zone): Open or Short Circuit	OFF	OFF	Check the correct assembly of sensor wiring on related mainboard connector. Verify sensor proper functioning.
231	Water Temperature sensor (Heating Element Zone): safety intervention (1st level).	OFF	OFF	Verify sensor proper functioning.
232	Water Temperature sensor (Heating Element Zone): safety intervention (2nd level).	OFF	OFF	Verify sensor proper functioning.
233	Relay blocked	OFF	OFF	Reset the appliance by pressing the ON/OFF button twice. If the error persists, replace the motherboard.
241	Impressed Current Anode: Open Circuit	OFF	OFF	Check the presence of water inside the product. If the error persists, verify the anode proper functioning. Check the correct assembly of anode wiring on related mainboard connector. If the error persists, replace mainboard.
242	Leakage sensor not connected	OFF	OFF	No menu parameter only with dfls by plant.
243	Water leakage detected	OFF	OFF	No menu parameter only with dfls by plant.
244	Shut off valve Feedback (open or close)	OFF	OFF	Menu parameter (Shut off valve).
321	Corrupted data	OFF	OFF	Reset the product by pressing the ON / OFF button twice. If the error persists, replace the motherboard.
331 332	Missing communication between Main Board and HMI	OFF	OFF	Reset the product by pushing the ON/OFF button twice. If the error persists, replace the mainboard-display communication wiring.
333	Communication down between Mainboard e Wi-Fi board	ON	ON	If WiFi present: - Check cables between motherboard and HMI. - If the error persists, replace the HMI module. If WiFi not present: - Enter to the Installer Menu and set P31 OFF. - If the error occurs again, replace the Main Board.
336	Touch screen not working	ON	ON	Reset the product by pressing the ON / OFF button twice. If the error persists, replace the HMI.
338	No comuncation with CTA2045 module	ON	ON	menu parameter (DR enable).

In order to reset the errors, switch OFF and ON the product within 10 sec, using ON/OFF button.

TROUBLESHOOTING

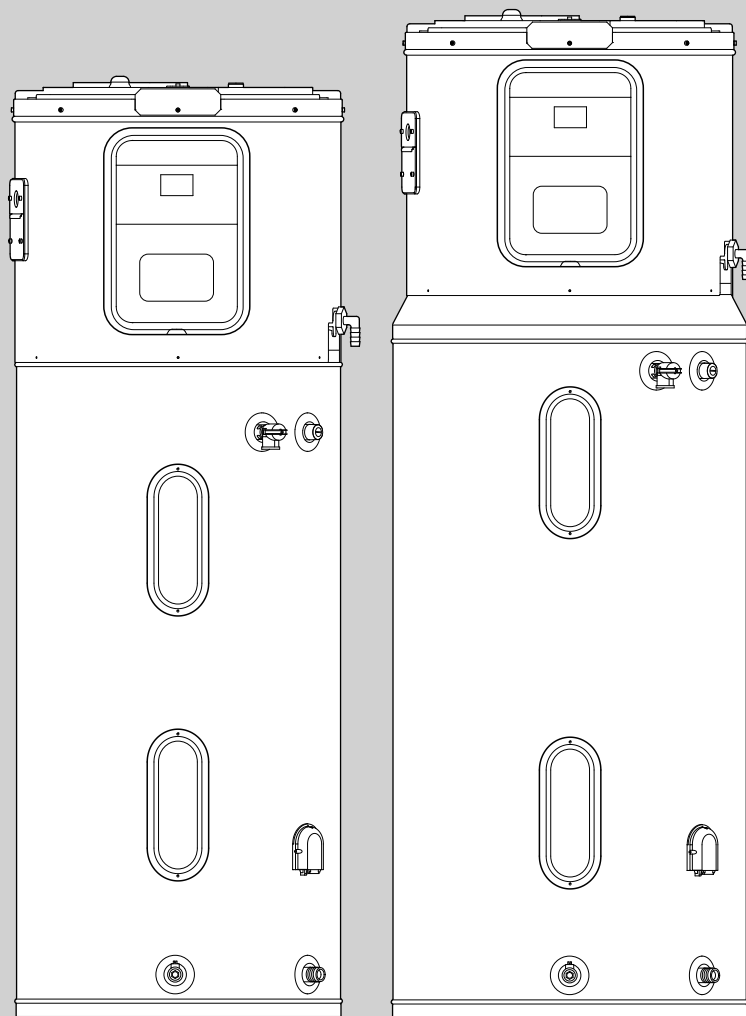
PROBLEM	POSSIBLE CAUSE	WHAT TO DO
The water delivered is cold or insufficiently hot	Temperature setting is low	Raise the water temperature setting.
	Machine malfunctioning	Check for errors on the display and follow the instructions on the "Errors" table.
	No electrical connection, wires disconnected or damaged	Check the voltage on the power terminals, check the condition of the wires and connections.
	HC/HP signal missing (if the product is installed with EDF signal cable)	To check the operation of the product start the "Boost" mode; if the outcome is positive check the presence of the HC/HP signal from the meter and check that the EDF cabling is intact.
	Malfunctioning of the timer for the two-tier configuration (if the product is installed in this configuration)	Check the operation of the day/night meter and that the set time is sufficient to heat the water.
	Insufficient air flow to the evaporator	Clean the grilles and ducts regularly.
	Product is switched OFF	Check the mains power supply. Switch the product ON.
	Use of a significant amount of hot water when the product is in heating phase	
	Sensor error	Check for NTC errors, even occasional ones.
The water is boiling (with possible steam on the taps)	High level of limescale build-up in the water heater and components	Unplug the power supply, empty the appliance, remove the heating element sheath and clean the limescale from the inside of the water heater, taking care not to damage the enamel on the water heater and the heating element sheath. Reassemble the product in its original configuration. We recommend replacing the flange gasket.
	Sensor error	Check for NTC errors, even occasional ones.
Reduced operation of the heat pump, electrical heating element is in almost continuous operation	Installation performed with non-compliant electrical power supply (voltage too low)	Power the product with the correct voltage.
	Evaporator obstructed or frozen	Make sure that the evaporator is clean.
	Problems with the heat pump circuit	Check the display for error messages.
	8 days have not passed yet since: <ul style="list-style-type: none"> - Initial start-up - Time W parameter change. - Power failure. 	Wait 8 days.
Insufficient hot water flow	Leaks or obstructions in the hydraulic circuit	Check the circuit for leaks, check the condition of the deflector on the inlet cold water pipe and the integrity of the delivery hot water pipe.
Water leaking from the pressure safety device	It is normal for some water to drip from the device during the heating phase	To prevent water from dripping, an expansion vessel must be installed on the delivery system. If the leak continues even after the heating phase, check the calibration of the device and the mains water pressure. Warning: Never obstruct the device's discharge outlet!
Increased noise level	Presence of an internal obstruction	Check the moving components of the unit, clean the fan and other moving parts which could cause noise.
	Some components are vibrating	Check the components connected using mobile clamps, ensuring the screws are well tightened.
	High Temperature Setting	Compressor noise may gradually increase for temperature settings above 125°F. Lower set temperature in case noise level is considered not acceptable.
Problems with viewing the display or the display turning off	Failure or electrical connection problems between the motherboard and the interface PCB	Check the connection status and the correct operation of the PCBs.
	Power failure	Check the power supply.
A bad odor is coming from the product	No siphon or siphon is empty	Install a siphon. Ensure it contains the necessary amount of water.
Abnormal or excessive consumption than expected	Leaks or partial obstruction in the refrigerant gas circuit	Switch the product ON in heat pump mode, use a leak detector for the specific type of gas to ensure there are no leaks.
	Unfavourable environmental or installation conditions	
	Evaporator is partially obstructed	Check the condition of the evaporator, grille and conduits to ensure they are clean.
	Non-compliant installation	
Other		Contact technical assistance.

PART 9 – INSTALLATION ECOPORT MODULE (enabled only if present)



CHAUFFE-EAU THERMODYNAMIQUE

Instructions d'installation et guide d'utilisation et d'entretien



⚠ DANGER

Ce manuel ne doit être utilisé que par un installateur/technicien de service qualifié. Lire toutes les instructions de ce manuel avant l'installation. Effectuer les étapes dans l'ordre indiqué. Le non-respect de cette consigne peut entraîner des dommages matériels importants, des blessures graves, voire la mort.

⚠ AVERTISSEMENT

Une installation, un réglage, une modification ou un entretien impropres pourraient annuler la garantie du produit et causer des dommages matériels ou corporelles graves voire la mort.

California Proposition 65 Avertissement : ce produit contient des substances chimiques reconnues de l'État de Californie comme pouvant causer le cancer, des malformations congénitales ou d'autres troubles de la reproduction.

INFO

Le fabricant se réserve le droit d'apporter des modifications ou des mises à jour au produit sans préavis et ne sera pas tenu responsable de la présence d'erreurs typographiques dans la documentation.

Les surfaces de ces produits en contact avec de l'eau potable (consommable) contiennent moins de 0,25 % de plomb en poids, Article 1417 de la Loi américaine sur la salubrité de l'eau potable (Safe Drinking Water Act).

INFO POUR LE CONSOMMATEUR : VEUILLEZ CONSERVER TOUTES LES INSTRUCTIONS POUR RÉFÉRENCE FUTURE.

MESSAGES D'ATTENTION SPÉCIAUX

Les termes définis suivants sont utilisés tout au long de ce manuel pour attirer l'attention sur la présence de dangers de différents niveaux de risque ou sur des informations importantes sur le produit.

DANGER

DANGER indique une situation imminente dangereuse qui, si elle n'est pas évitée, entraînera des blessures graves, voire la mort.

AVERTISSEMENT

AVERTISSEMENT indique une situation potentiellement dangereuse qui, si elle n'est pas évitée, pourrait entraîner la mort ou des blessures graves.

ATTENTION

ATTENTION indique une situation potentiellement dangereuse qui, si elle n'est pas évitée, peut entraîner des blessures corporelles modérées ou mineures.

ATTENTION

ATTENTION utilisée sans le symbole d'alerte de sécurité, il indique une situation potentiellement dangereuse qui, si elle n'est pas évitée, peut entraîner des dommages matériels.

INFO

INFO est utilisé pour signaler des pratiques non liées aux blessures corporelles.

AVANT-PROPOS

Ce manuel est destiné à être utilisé conjointement avec d'autres documents fournis avec le Chauffe-eau Thermodynamique. Cela inclut toutes les informations relatives au contrôle. Il est important que ce manuel, tous les autres documents fournis avec ce système et les publications supplémentaires, y compris le National Electrical Code, ANSI/NFPA 70, soient examinés dans leur intégralité avant de commencer tout travail. L'installation doit être effectuée conformément aux réglementations des autorités locales de code et des entreprises de services publics qui se rapportent à ce type d'équipement de réchauffage de l'eau.

Autorité compétente (AHJ) – L'AHJ peut être un gouvernement fédéral, un État, un gouvernement local ou un individu tel qu'un chef des pompiers, un commissaire des incendies, un chef d'un bureau de prévention des incendies, un département du travail ou un département de la santé, un fonctionnaire du bâtiment ou un inspecteur en électricité, ou d'autres personnes ayant une autorité légale. Dans certaines circonstances, le propriétaire ou son agent assume le rôle, et dans les installations gouvernementales, le commandant ou le fonctionnaire du département peut être l'AHJ.

POUR L'INSTALLATEUR

AVERTISSEMENT

Ce manuel ne doit être utilisé que par un installateur/technicien de maintenance HPWH qualifié. Lire toutes les instructions de ce manuel avant l'installation. Suivre les étapes dans l'ordre indiqué. Le non-respect de cette consigne peut entraîner des dommages matériels importants, des blessures corporelles graves voire la mort.

Ce chauffe-eau doit être installé par du personnel qualifié et autorisé. L'installateur doit être guidé par les instructions fournies avec le chauffe-eau, ainsi que par les codes locaux et les exigences du fournisseur d'électricité. En l'absence de codes locaux, la préférence devrait être accordée au National Electrical Code, ANSI/NFPA 70.

Pour vos archives

Noter le modèle du produit et les numéros de série :

N° de modèle _____

N° de série _____

Ces numéros sont indiqués sur l'étiquette d'évaluation du produit. Conserver ce manuel et les informations pour référence future.

LES INSTALLATIONS DOIVENT RESPECTER :

les codes, les lois, les règlements et les ordonnances locaux, d'État, provinciaux et nationaux.

la dernière version du Code national de l'électricité, ANSI/NFPA n° 70, disponible auprès de la National Fire Protection Association, Batterymarch Park, Quincy, MA 02269.

TABLE DES MATIÈRES

PARTIE 1 – CONSIGNES GÉNÉRALES DE SÉCURITÉ

A. PRÉCAUTIONS	26
B. RÉGLAGE DE LA TEMPÉRATURE DE L'EAU	26
C. MATÉRIAUX COMBUSTIBLES	27
D. INSTALLATIONS DANS L'ÉTAT DE CALIFORNIE	27
E. CONSEILS POUR L'ENTRETIEN	27
F. HYDROGÈNE GAZEUX	27
G. CONSEILS POUR LA SÉCURITÉ	27
H. CONTRÔLES DE SÉCURITÉ	27
I. EMBALLAGE ET ACCESSOIRES FOURNIS	28
J. DIMENSIONS	28
K. IDENTIFICATION DE L'APPAREIL	28
L. BATTERIE	29

PARTIE 2 – INSTRUCTIONS D'INSTALLATION

A. TRANSPORT ET MANUTENTION	30
B. DÉTERMINATION DE L'EMPLACEMENT DU CHAUFFE-EAU	30
C. DILATATION THERMIQUE	31
D. RACCORDEMENTS D'ALIMENTATION EN EAU	31
E. VIDANGE DES CONDENSATS	32
F. SOUPAPE DE DÉCHARGE	33
G. POUR REMPLIR LE CHAUFFE-EAU	33
H. COMPOSANTS PRINCIPAUX	33
I. RACCORDS D'ALIMENTATION EN AIR	34
J. BRANCHEMENTS ÉLECTRIQUES	25
K. CONFORMITÉ RÉGLEMENTAIRE	35

PARTIE 3 – CONTRÔLES

A. VUE D'ENSEMBLE DE LA COMMANDE ET DE L'AFFICHAGE	37
B. INSTRUCTIONS D'UTILISATION	37
C. MENU UTILISATEUR	38
D. MENU DE L'INSTALLATEUR	39

PARTIE 4 – ENTRETIEN, VACANCES ET NETTOYAGE

A. ENTRETIEN PRÉVENTIF DE ROUTINE	40
B. VIDANGE DU CHAUFFE-EAU	40
C. VACANCES ET ARRÊT PROLONGÉ	40
D. NETTOYAGE DU FILTRE	40
E. NETTOYAGE DES TUBES D'ÉVACUATION DES CONDENSATS	40

PARTIE 5 – LISTE DE CONTRÔLE DE L'INSTALLATION

	41
--	----

PARTIE 6 – MISE EN MARCHÉ : À QUOI S'ATTENDRE

	41
--	----

PARTIE 7 – LISTE DE CONTRÔLE D'ENTRETIEN ET CODES D'ERREUR

	42
--	----

DÉPANNAGE	43
-----------	----

PARTIE 8 – INSTALLATION DU MODULE ECOPORT (activé uniquement si présent)

	44
--	----

PARTIE 1 – CONSIGNES GÉNÉRALES DE SÉCURITÉ

AVERTISSEMENT

Pour votre sécurité, les informations contenues dans ce manuel doivent être suivies afin de minimiser les risques d'incendie, d'explosion, de choc électrique et de prévenir les dommages matériels, les blessures corporelles ou la mort.

**Ce produit est destiné à un usage domestique uniquement.
Non accessible au grand public.**

A. PRÉCAUTIONS

AVERTISSEMENT

INSTALLATEUR – Lire toutes les instructions de ce manuel avant l'installation. S'assurer de bien comprendre toutes les instructions avant d'installer ou d'utiliser ce chauffe-eau, car cela peut vous faire économiser du temps et de l'argent. Suivre les étapes dans l'ordre indiqué. En cas de difficultés concernant la compréhension des instructions de ce manuel ou de questions, S'ARRÊTER et demander l'aide d'un technicien de maintenance qualifié ou d'un fournisseur d'électricité local.

LE NON-RESPECT DES DIRECTIVES DE CETTE PAGE PEUT ENTRAÎNER DES DOMMAGES MATÉRIELS IMPORTANTS, DES BLESSURES CORPORELLES GRAVES VOIRE LA MORT.

AVERTISSEMENT

REMARQUE : si le chauffe-eau est exposé aux éléments suivants, ne pas l'utiliser tant que toutes les mesures correctives n'ont pas été prises par un technicien qualifié :

1. INCENDIE
2. DOMMAGES
3. EAU

Toute réclamation concernant des dommages ou des manques lors de l'expédition doit être immédiatement déposée par le destinataire auprès de la société de transport.

NE PAS UTILISER CE CHAUFFE-EAU SI L'UNE DE SES PARTIES A ÉTÉ IMMERGÉE. Appeler immédiatement un technicien qualifié. Remplacer toute partie de l'unité de commande ayant été immergée.

ATTENTION

Les sources de chaleur élevées (sources générant de la chaleur à 100°F / 37°C ou plus, telles que les tuyaux de poêle, les appareils de chauffage, etc.) peuvent endommager les composants en plastique du chauffe-eau ainsi que les matériaux des tuyaux d'aération en plastique. De tels dommages NE SONT PAS couverts par la garantie. Il est recommandé de garder un dégagement minimum de 8 po des sources de chaleur élevée. Respecter les instructions du fabricant de la source de chaleur, ainsi que les codes, lois, règlements et ordonnances locaux, d'État, provinciaux et nationaux lors de l'installation de ce chauffe-eau et des composants connexes à proximité de sources de chaleur élevées.

AVERTISSEMENT

Pour l'installation en Californie, ce chauffe-eau doit être contreventé, ancré ou sanglé pour éviter de tomber ou de se déplacer pendant les séismes. Voir les instructions pour les procédures d'installation correctes. Les instructions peuvent être obtenues auprès du California office of the state architect, 400 P Street, Sacramento, CA 95814.

B. RÉGLAGE DE LA TEMPÉRATURE DE L'EAU

DANGER

Une température de l'eau supérieure à 125 °F peut instantanément causer de graves brûlures voire la mort par brûlure. Les enfants, les porteurs de handicap et les personnes âgées courent le plus grand risque d'être brûlés par l'eau bouillante. Voir le manuel d'instructions avant de régler la température du chauffe-eau. Toucher l'eau avant de prendre un bain ou une douche ! Des vannes de limitation de température sont disponibles.

La sécurité et la conservation de l'énergie sont des facteurs à prendre en compte lors de la sélection du réglage de la température de l'eau via l'interface utilisateur du chauffe-eau.

Les températures de l'eau supérieures à 125°F peuvent causer de graves brûlures ou la mort par brûlure. Veiller à lire et à suivre les avertissements indiqués sur l'étiquette illustrée. Cette étiquette est également située sur le chauffe-eau à proximité de la partie supérieure du réservoir.

La température de l'eau dans le chauffe-eau est réglée par l'interface de contrôle du chauffe-eau. Pour respecter les consignes de sécurité, la température a été réglée à 49°C (120°F) avant que l'appareil ne quitte l'usine.



Des vannes de mélange pour réduire la température de l'eau au point d'utilisation en mélangeant l'eau chaude et froide dans les conduites d'eau de dérivation sont disponibles. Contacter un plombier agréé ou l'autorité de plomberie locale pour un complément d'information.

REMARQUE : les ménages avec de jeunes enfants, des porteurs de handicap ou des personnes âgées peuvent avoir besoin d'un thermostat de 120 °F ou moins pour éviter tout contact avec de l'eau « BOUILLANTES ».

DURÉE APPROXIMATIVE RELATIONS DE TEMPÉRATURE DANS LES BRÛLURES	
120°F	Plus de 5 minutes
125°F	1½ à 2 minutes
130°F	Environ 30 secondes
135°F	Environ 10 secondes
140°F	Moins de 5 secondes
145°F	Moins de 3 secondes
150°F	Environ 1½ seconde
155°F	Environ 1 seconde

Tableau fourni par le Shriners Burn Institute

AVERTISSEMENT

Lors de l'utilisation de la fonction anti-légionelles, le chauffe-eau s'ajuste à un point de consigne de 140°F. Faire preuve de prudence lorsqu'on utilise des appareils à eau dans ce mode, car cette température peut provoquer des brûlures immédiates.

C. MATÉRIAUX COMBUSTIBLES

AVERTISSEMENT

L'essence, ainsi que d'autres matériaux et liquides inflammables (adhésifs, solvants, etc.), et les vapeurs qu'ils produisent sont extrêmement dangereux. NE PAS manipuler, utiliser ou stocker de l'essence ou d'autres matériaux inflammables ou combustibles à proximité du chauffe-eau. L'arc électrique généré par les commandes du chauffe-eau peut enflammer ces vapeurs. Le non-respect de ces instructions peut entraîner des dommages matériels, des blessures graves, voire la mort.

D. INSTALLATIONS dans L'ÉTAT DE Californie

La loi californienne exige que les chauffe-eau résidentiels soient contreventés, ancrés ou sanglés pour résister à la chute ou au déplacement horizontal en raison des mouvements sismiques.

Pour les chauffe-eau résidentiels d'une capacité maximale de 52 gallons, une brochure avec des instructions génériques de contreventement contre les séismes peut être obtenue auprès de : Office of the State Architect, 400 P Street, Sacramento, CA 95814, ou appeler le 916-324-5315, ou demander à votre concessionnaire de chauffe-eau pour plus d'informations.

L'installation est régie par les codes locaux en vigueur. Pour les chauffe-eau résidentiels d'une capacité supérieure à 52 gallons, consulter les autorités locales compétentes en matière de construction pour connaître les procédures de contreventement acceptables.

AVERTISSEMENT

California Proposition 65 Avertissement : ce produit contient des substances chimiques reconnues connus de l'État de Californie comme pouvant causer le cancer, des malformations congénitales ou d'autres troubles de la reproduction.

E. CONSEILS POUR L'ENTRETIEN

- Pour éviter les chocs électriques, couper l'alimentation électrique avant d'effectuer la maintenance.
- Pour éviter les brûlures graves, laisser le chauffe-eau refroidir avant d'effectuer l'entretien.

F. HYDROGÈNE GAZEUX

AVERTISSEMENT

L'hydrogène gazeux peut être produit dans un système d'eau chaude qui n'a pas été utilisé depuis longtemps (généralement deux semaines ou plus).

L'HYDROGÈNE GAZEUX EST EXTRÊMEMENT INFLAMMABLE ! Pour dissiper ce gaz et réduire le risque de blessure, il est recommandé d'ouvrir le robinet d'eau chaude de l'évier de cuisine pendant plusieurs minutes avant d'utiliser un chauffe-eau électrique connecté au circuit d'eau chaude.

En cas de présence d'hydrogène, on entend un son inhabituel, comme de l'air s'échappant du tuyau lorsque l'eau commence à couler. Ne pas fumer et ne pas utiliser de flamme nue à proximité du robinet lorsqu'il est ouvert. Le non-respect de cet avertissement peut entraîner des dommages matériels, des blessures graves voire la mort.

G. CONSIDÉRATIONS DE SÉCURITÉ

1. Couper l'alimentation du chauffe-eau s'il a été soumis à une surchauffe, à un incendie, à une inondation ou à des dommages corporels.
2. **Ne pas allumer** le chauffe-eau s'il n'est pas rempli d'eau.
3. **Ne pas allumer** le chauffe-eau si la vanne d'arrêt de l'alimentation en eau froide est fermée.
4. **Ne pas stocker** et ne pas utiliser de l'essence ou d'autres vapeurs ou liquides inflammables, tels que des adhésifs ou des diluants pour peinture, à proximité de ce chauffe-eau ou de tout autre chauffe-eau. Ouvrir les portes et les fenêtres pour la ventilation si de tels produits inflammables doivent être stockés à proximité du chauffe-eau.

REMARQUE : les vapeurs inflammables peuvent être attirées par les courants d'air des zones environnantes vers le chauffe-eau.

5. Si l'on éprouve des difficultés à comprendre ou à suivre les instructions de contrôle ou les sections relatives à l'entretien et au nettoyage, il est recommandé de faire appel à une personne qualifiée ou à un réparateur.

H. CONTRÔLES DE SÉCURITÉ

Le chauffe-eau est équipé de deux commandes de limitation de la température (TCO et TOD) situées au-dessus de l'élément chauffant, en contact avec la surface du réservoir. Si, pour une raison quelconque, la température de l'eau augmente excessivement, la commande de limitation de la température (TCO ou TOD) coupe le circuit électrique de l'élément chauffant. Une fois que la commande est ouverte, elle doit être réinitialisée manuellement. La réinitialisation des commandes de limitation de la température ne doit être effectuée que par un technicien d'entretien qualifié.

Pour la pompe à chaleur, le contrôle de la limitation de la température élevée est effectué par les capteurs de température électroniques et les commandes électroniques.

ATTENTION

La cause de la température élevée doit être recherchée par un technicien qualifié et des mesures correctives doivent être prises avant de remettre le chauffe-eau en service.

Pour réinitialiser la commande de limitation de température :

1. Mettre le chauffe-eau hors tension.
2. Retirer le(s) panneau(x) d'accès à la chemise et l'isolation.
NE PAS retirer le couvercle de protection du thermostat.
3. Appuyer sur le bouton rouge RESET.
4. Remplacer l'isolation et le(s) panneau(x) d'accès à la chemise avant de mettre le chauffe-eau sous tension.

⚠ AVERTISSEMENT

Ce chauffe-eau doit être correctement mis à la terre avant utilisation. Le non-respect de cette consigne peut entraîner des dommages matériels importants, des blessures corporelles graves voire la mort.

I. EMBALLAGE ET ACCESSOIRES FOURNIS

L'appareil est fixé sur une palette en bois et protégé par un couvercle supérieur en polystyrène et du carton externe ; tous les matériaux sont recyclables et éocompatibles.

Les accessoires contenus dans le colis sont les suivants:

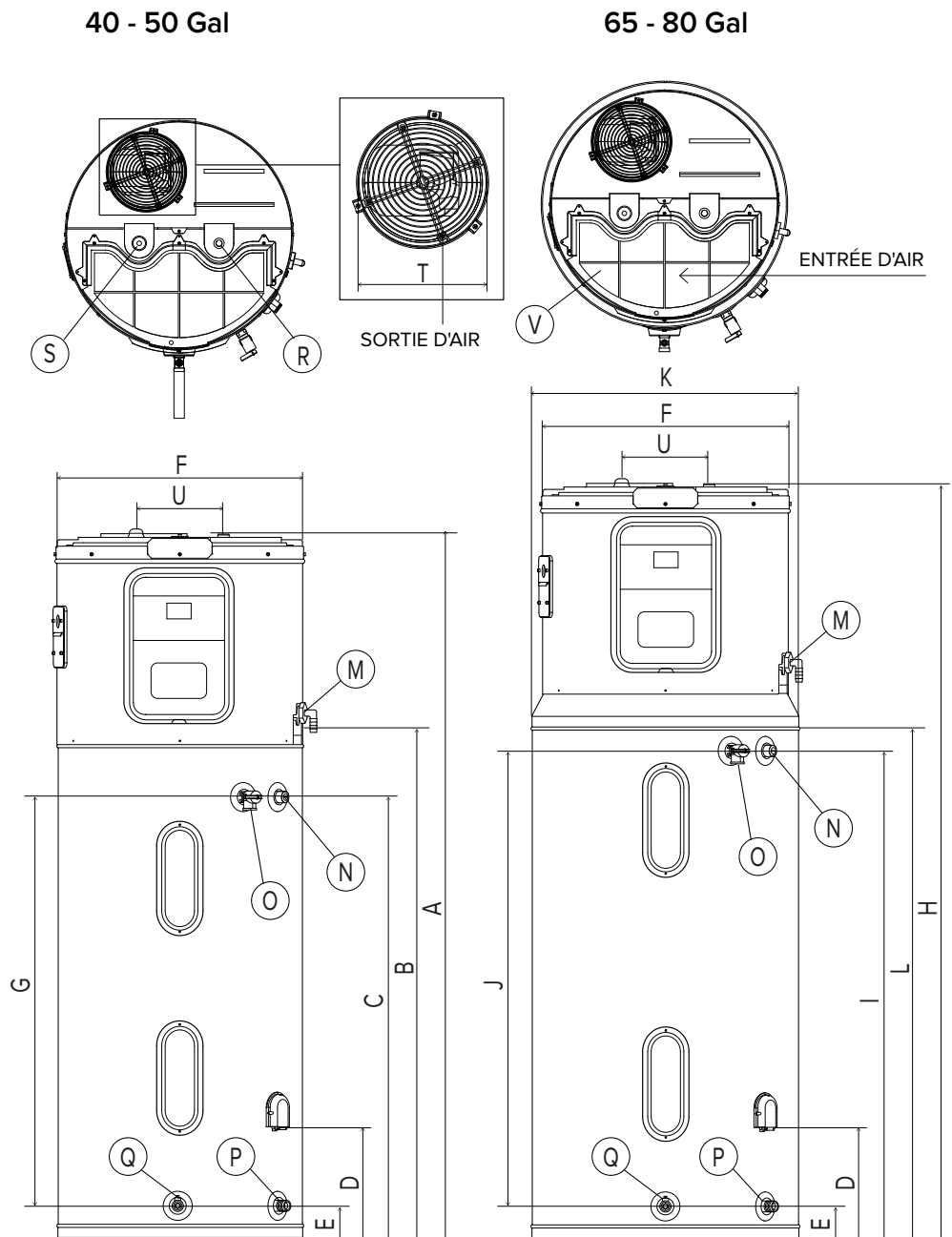
- Capteur de fuite
- Manuel d'instructions et document de garantie.
- Kit d'isolation antisismique
- Sangle antisismique

J. DIMENSIONS

Article	Description
M	Condensate drain
N	Hot water
O	T&P valve
P	Cold water
Q	Drain valve
R	Cold water
S	Hot water
V	Air filter

Article	Dimension en pouces (mm)	
	40 Gal	50 Gal
A (no caps)	56,6 (1437)	64,2 (1632)
B	37,3 (948)	45 (1142)
C	32,5 (826)	40,2 (1020)
D	10,2 (260)	
E	3 (77)	
F	22,7 (576)	
G	29,5 (749)	37,1 (943)
T	7,9 (200)	
U	8 (203)	

Article	Dimension en pouces (mm)	
	65 Gal	80 Gal
H (no caps)	69,1 (1756)	78,7 (2000)
L	46,9 (1192)	56,6 (1440)
I	44,7 (1136)	53,2 (1351)
D	10,2 (260)	
E	3 (77)	
F	22,7 (576)	
J	41,7 (1059)	50,2 (1274)
K	24,4 (620)	
T	7,9 (200)	
U	8 (203)	



K. IDENTIFICATION DE L'APPAREIL

Les principales informations d'identification de l'appareil sont indiquées sur la plaque signalétique collée sur le corps du chauffe-eau.

		Barcode
Serial No./N° de Série	----	Cap. XX Gallons / XXX Litres
Model No./N° de Modèle	XXXXXX-XX	HEAT PUMP WATER HEATERS
MFD./FAB:	----	AIRI CERTIFIED www.airiindustries.com
Volts AC: 208-240	Hertz: 60 1 Phase	FC Contains FCC ID: 2AC7Z-ESPWRO03M2D
Compressor/Compresseur (LRA)	11.5	UL US LISTED UL file number SA45840
Fan Motor/Moteur de Ventilateur (FLA)	0.24, Hp 0.04	Assembled in Mexico Assemblé au Mexique
Min. Supply Circuit Ampacity / Courant Minimum D'Alimentation	30A	Barcode
Max. Fuse or Ctl. Brk. Size / Cal. Max. De Fusible/Kis J	30A	
SCCR, kA (BCSC, A)	10 (30)	
Design Pressure High/Pression Nominale Haute	392 psi (2.7 MPa)	
Design Pressure Low/Pression Nominale Basse	145 psi (1 MPa)	
Refrigerant/Réfrigérant	R513a	
Factory Charge/Charge Usine	31.7 Oz / 950 g	
Volts AC	208 - 240V	
Compressor/Compresseur (RLA)	2.0	
Upper Element/Haute Élément	4.5 kW	
Lower Element/Basse Élément	4.5 kW	
Rated power	4500 W	
Max. Working Press. / Pression De Servic Max	150 psi (1.03 MPa)	
Calentadores de América S.A. de C.V. Bldv. Isidro Lopez Zertuche #1839 Col. Universidad CP 25260 Satillo, Coahuila, México		

L. BATTERIE

AVERTISSEMENT

RISQUE D'EXPLOSION SI LA BATTERIE EST REMPLACÉE PAR UN TYPE INCORRECT, ÉLIMINER LES BATTERIES USAGÉES CONFORMÉMENT AUX INSTRUCTIONS

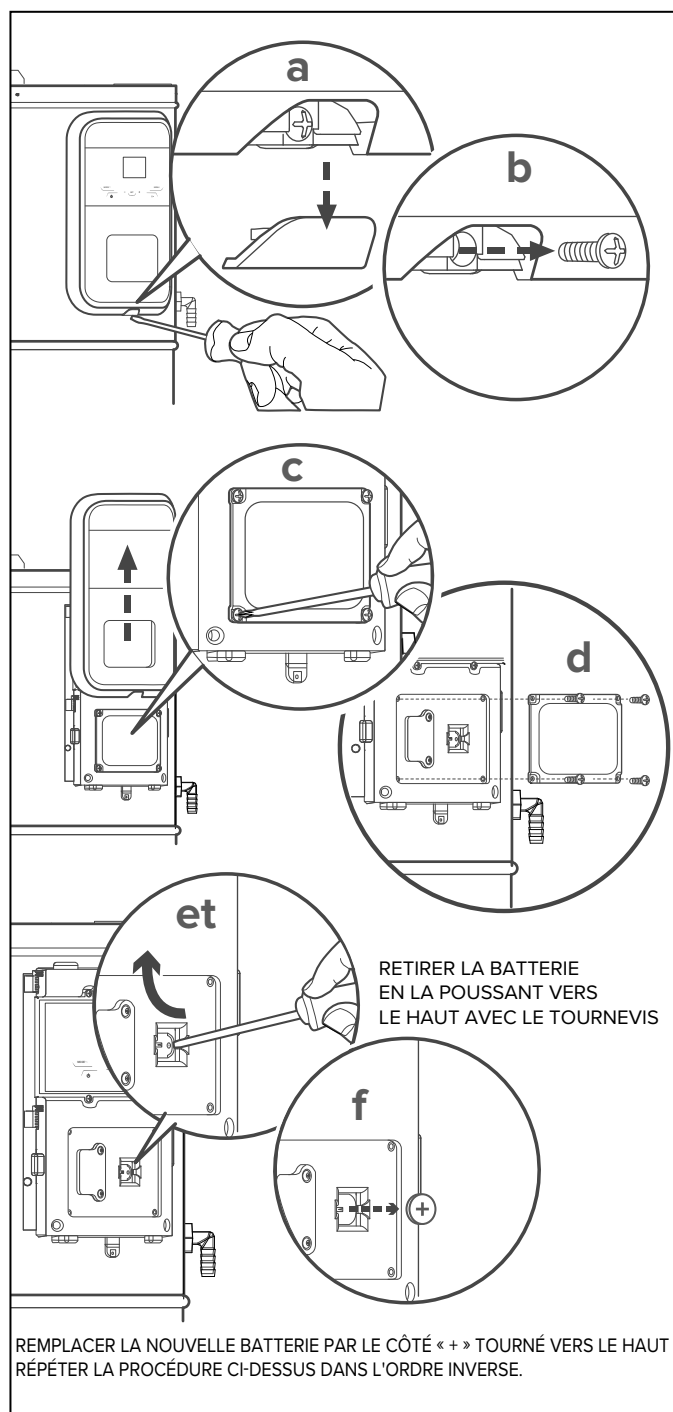
RETRAIT/REPLACEMENT DE LA BATTERIE

ATTENTION

La batterie doit être retirée avant d'être mise au rebut.
La commande doit être déconnectée du secteur avant de retirer la batterie. La batterie doit être éliminée en toute sécurité.

AVERTISSEMENT

UTILISER UNIQUEMENT LE MODÈLE DE BATTERIE **BR2032** OU **CR2032**



AVERTISSEMENT

Ne pas jeter les piles avec les ordures ménagères non triées. Les piles doivent être éliminées séparément des déchets normaux conformément à la réglementation locale, afin qu'elles puissent subir un traitement spécial.

COMMENT FAIRE FACE À UNE FUITE DE BATTERIE

En cas de fuite d'électrolyte de la batterie :

- Rincer abondamment les yeux avec de l'eau propre pendant au moins 15 minutes immédiatement, sans frotter. Obtenir un traitement médical immédiat. Si les procédures appropriées ne sont pas prises, cela peut causer des blessures oculaires.
- Laver la zone affectée à l'eau courante tiède avec un savon doux. Si des mesures appropriées ne sont pas prises, des plaies peuvent apparaître sur la peau. Consulter un médecin si l'irritation se développe ou persiste.
- Transporter immédiatement à l'air frais. Obtenir un traitement médical immédiat.

Mesures relatives aux rejets accidentels

(En cas de fuite d'électrolyte de la batterie)

Recueillir avec un tissu absorbant, considérer le tissu comme inflammable.

Éloigner la batterie du feu.

Contrôles de l'exposition et protection individuelle

Concentration acceptable : non spécifiée à propos de Batterie au lithium.

Installations : rien de particulier.

Équipement de protection (en cas de fuite d'électrolyte de la batterie)

Protection respiratoire : pour la plupart des conditions pas de protection respiratoire

Protection des mains : gants de sécurité.

Protection oculaire : lunettes de sécurité

Stabilité et réactivité

Étant donné que les batteries utilisent une réaction chimique, elles sont en fait considérées comme un produit chimique.

En tant que tel, les performances de la batterie se détérioreront au fil du temps, même si elle est stockée pendant une longue période sans être utilisée. En outre, les différentes conditions d'utilisation telles que la décharge, la température ambiante, etc. Ne sont pas maintenues dans les plages spécifiées, la durée de vie de la batterie peut être raccourcie ou l'appareil dans lequel la batterie est utilisée peut être endommagé par une fuite d'électrolyte.

PARTIE 2 – INSTRUCTIONS D'INSTALLATION

⚠ AVERTISSEMENT

L'installation de ce chauffe-eau doit être contreventée, ancrée ou sanglée pour éviter de tomber ou de bouger. À l'aide d'un ruban de plombier en acier perforé, fixer une extrémité du ruban au mur à l'aide d'un tire-fond de 1/4" de diamètre et d'une rondelle plate, enrouler le ruban autour du réservoir et tirer fermement le goujon d'ancrage du mur opposé. S'il y a deux rubans sur la boîte, les installer en les faisant se chevaucher.

⚠ AVERTISSEMENT

Tout panneau ou couvercle dans l'enceinte extérieure nécessite l'utilisation d'outils pour s'ouvrir comme prescrit par les normes pertinentes et est donc considéré comme non accessible à l'utilisateur final.

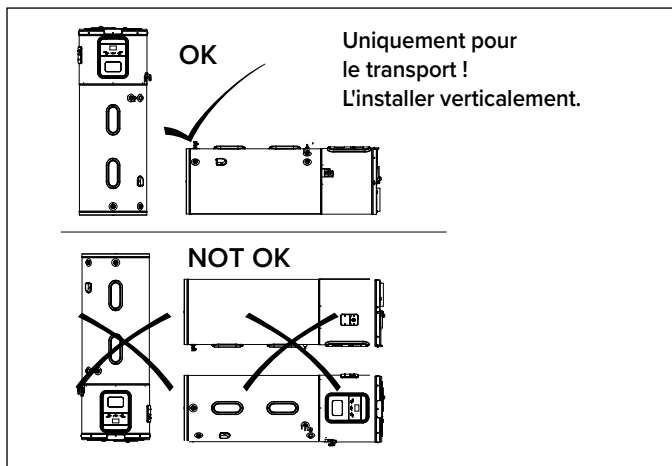
Toute opération d'installation et d'entretien doit être effectuée par du personnel professionnel qualifié, comme spécifié dans les paragraphes correspondants, en utilisant uniquement des pièces de rechange d'origine. Le non-respect des instructions ci-dessus peut compromettre la sécurité de l'appareil et dégrader le fabricant de toute responsabilité pour les conséquences.

A. TRANSPORT ET MANUTENTION

Lors de la livraison du produit, vérifier qu'il n'a pas été endommagé pendant le transport et qu'aucun signe de dommage n'apparaît sur l'emballage. En cas de dommages, notifier immédiatement toute réclamation à la société de transport.

ATTENTION ! L'APPAREIL DOIT ÊTRE MANIPULÉ ET STOCKÉ EN POSITION VERTICALE.

Le produit ne peut être manipulé en position horizontale que sur de courtes distances, tout en reposant sur l'extrémité arrière indiquée ; dans ce cas, attendre au moins 3 heures avant de démarrer l'appareil une fois qu'il a été correctement repositionné en position verticale et/ou installé ; ceci afin de s'assurer que l'huile de lubrification à l'intérieur du circuit de réfrigération est correctement répartie et d'éviter d'endommager le compresseur.



L'appareil emballé peut être manipulé manuellement ou à l'aide d'un chariot élévateur, tout en veillant à ce que les indications ci-dessus soient respectées. Il est conseillé de conserver l'appareil dans son emballage d'origine jusqu'à son installation à l'endroit choisi, en particulier lorsque des travaux de construction sont en cours sur site.

Lors du transport ou de la manipulation de l'appareil après l'installation initiale, respecter les indications susmentionnées concernant l'angle d'inclinaison autorisé et s'assurer que toute l'eau a été évacuée du réservoir. En cas d'absence de l'emballage d'origine, assurer une protection adéquate de l'appareil afin d'éviter tout dommage, pour lequel le fabricant ne peut être tenu responsable.

RÉGLEMENTATIONS LOCALES D'INSTALLATION

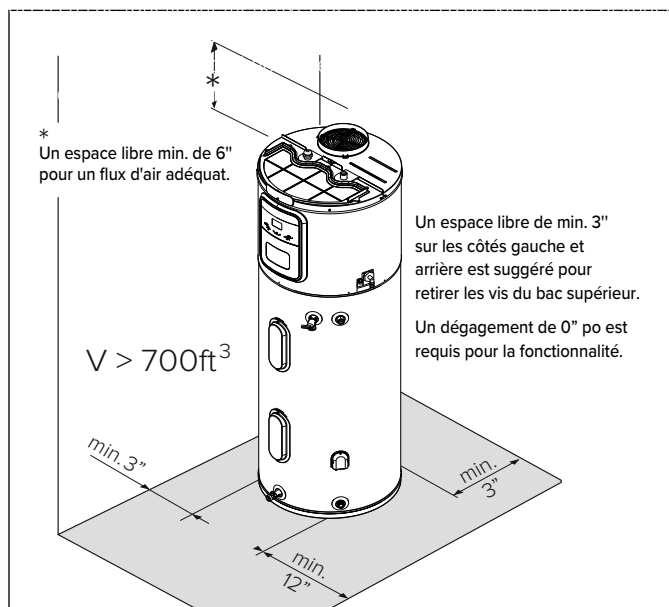
Ce chauffe-eau doit être installé conformément à ces instructions, aux codes locaux, aux codes des services publics et aux exigences des

entreprises de services publics ou, en l'absence de codes locaux, à la dernière édition du Code national de l'électricité. Il est disponible dans certaines bibliothèques locales ou peut être acheté auprès de l'Association nationale de prévention des incendies, Batterymarch Park, Quincy, MA 02169 sous forme de livret ANSI/NFPA 70.

B. DÉTERMINATION DE L'EMPLACEMENT DU CHAUFFE-EAU

L'emplacement choisi pour le chauffe-eau doit tenir compte des éléments suivants :

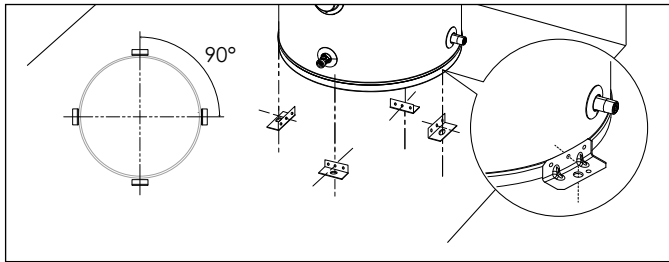
- Dans le cas de chauffe-eau sans conduit d'air, le local d'installation doit avoir un volume d'au moins 700 pieds cubes et doit être correctement ventilé. Éviter d'installer l'appareil dans des pièces susceptibles de favoriser l'accumulation de givre.
Ne pas installer le produit dans une pièce contenant un appareil qui a besoin d'air pour fonctionner (par exemple, une chaudière à gaz à chambre ouverte, un chauffe-eau à gaz à chambre ouverte, etc.) sauf indication contraire de la législation locale.
Ce chauffe-eau est certifié pour une utilisation en intérieur uniquement. **NE PAS INSTALLER À L'EXTÉRIEUR.** Les installations extérieures **NE SONT PAS** couvertes par la garantie. Le défaut d'installation du chauffe-eau à l'intérieur pourrait entraîner des dommages matériels, des blessures graves voire la mort.
- S'assurer que le site d'installation et les systèmes électriques et hydrauliques auxquels l'appareil doit être raccordé sont pleinement conformes à la réglementation en vigueur ;
- Le site d'installation choisi doit avoir une alimentation monophasée 208-240V ~ 60 Hz ;
- Le site choisi doit être adapté pour abriter une sortie de drainage des condensats reliée au côté de l'appareil avec un siphon approprié ;
- Le site choisi doit garantir le respect des distances de sécurité appropriées ;
- S'assurer que l'installation des conduits permet les opérations d'entretien du filtre de l'évaporateur ;
- S'assurer que le plan permet une position de travail parfaitement verticale ;
- Le site choisi doit être conforme à l'indice de protection IP (protection contre la pénétration de liquides) de l'appareil, tel que spécifié par les réglementations en vigueur ;
- L'appareil ne doit pas être exposé à la lumière directe du soleil, même en présence de fenêtres ;
- L'appareil ne doit pas être exposé à des substances particulièrement agressives telles que des vapeurs acides, de la poussière ou des environnements remplis de gaz ;
- L'appareil ne doit pas être installé directement sur des lignes téléphoniques non protégées contre les surtensions ;
- L'appareil doit être installé le plus près possible des points d'utilisation afin de limiter les pertes de chaleur le long des canalisations ;
- L'air du site doit être exempt de poussière, de vapeurs acides et de solvants. Laisser un espace suffisant autour de l'appareil afin d'en faciliter l'accès et l'entretien (voir le graphique ci-dessous)



Positionnement au sol

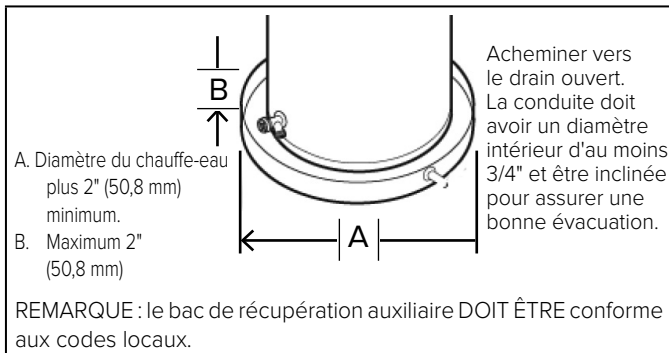
- 1) Une fois que la position d'installation appropriée a été trouvée, retirer l'emballage de la palette du produit.
- 2) Retirer le produit de la palette.
- 3) Fixer les pieds au sol (à travers les trous appropriés) à l'aide de vis et de chevilles.

Placer le produit verticalement à l'endroit où il doit être installé.



ATTENTION

Le chauffe-eau ne doit pas être situé dans une zone où une fuite du réservoir ou des connexions endommagerait la zone adjacente ou les planchers inférieurs de la structure. Lorsque de telles zones ne peuvent être évitées, il est recommandé d'installer un bac de récupération approprié et correctement drainé sous le chauffe-eau.

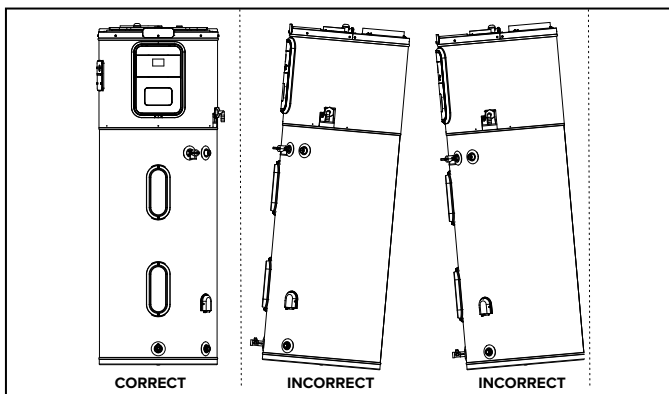


ATTENTION : l'installation d'un bac de vidange est nécessaire en cas d'utilisation d'un capteur de fuite.

⚠ DANGER

Ce chauffe-eau NE DOIT PAS être installé dans un espace où des liquides dégagant des vapeurs inflammables sont utilisés ou stockés. Ces liquides comprennent l'essence, le gaz de pétrole liquéfié (butane et propane), la peinture, les adhésifs et les diluants, les solvants ou les décapants. En raison du mouvement naturel de l'air dans une pièce ou un autre espace clos, des vapeurs inflammables peuvent être transportées depuis l'endroit où des liquides inflammables sont utilisés ou stockés. Le fonctionnement du système de contrôle du chauffe-eau peut enflammer ces vapeurs et provoquer une explosion ou un incendie pouvant entraîner des dommages matériels, des brûlures graves ou la mort des personnes se trouvant à proximité.

Pour faciliter le drainage des condensats et le bon fonctionnement, s'assurer que le chauffe-eau est installé au même niveau.



C. DILATATION THERMIQUE

Déterminer s'il existe un clapet anti-retour dans la conduite d'eau d'entrée. Il peut avoir été installé dans la conduite d'eau froide en tant que dispositif anti-refoulement séparé, ou peut faire partie d'une vanne de réduction de pression, d'un compteur d'eau ou d'un adoucisseur d'eau. Un clapet anti-retour situé dans la conduite d'entrée d'eau froide peut provoquer ce qu'on appelle un « circuit d'eau fermé ». Une conduite d'entrée d'eau froide sans clapet anti-retour ou dispositif de prévention des refoulements est appelée « circuit d'eau ouvert ».

Lorsque l'eau est chauffée, elle se dilate en volume et crée une augmentation de la pression dans le système d'eau. Cette action est appelée « dilatation thermique ». Dans un système d'eau libre, l'eau en expansion qui dépasse la capacité du chauffe-eau retourne dans la conduite principale de la ville, où la pression est facilement dissipée.

Un système d'eau fermé empêche l'eau en expansion de refluer dans la conduite d'alimentation principale, et l'expansion thermique qui en résulte peut créer une augmentation rapide et dangereuse de la pression dans le chauffe-eau et la tuyauterie du système. Cette augmentation de pression peut rapidement atteindre la limite de sécurité de la vanne de décharge, la faisant fonctionner pendant chaque cycle de chauffage. La dilatation thermique et la dilatation et la contraction rapides et répétées des composants du chauffe-eau et du système de tuyauterie qui en résultent peuvent provoquer une défaillance prématurée de la vanne de décharge et éventuellement du chauffe-eau lui-même. Le remplacement de la vanne de décharge ne corrigera pas ce problème.

La méthode suggérée pour contrôler la dilatation thermique consiste à installer un vase d'expansion dans la conduite d'eau froide entre le chauffe-eau et le clapet anti-retour (voir l'illustration du schéma d'installation). Le réservoir d'expansion est conçu avec un coussin d'air intégré qui se comprime à mesure que la pression du système augmente, soulageant ainsi l'expansion thermique et éliminant le fonctionnement répété de la vanne de décharge.

D'autres méthodes de contrôle de la dilatation thermique sont disponibles. Contacter l'installateur, le fournisseur d'eau ou l'inspecteur en plomberie pour plus d'informations à ce sujet.

D. RACCORDEMENTS D'ALIMENTATION EN EAU

Avant d'utiliser le produit, il convient de remplir d'eau le réservoir de l'appareil et d'effectuer une vidange complète, afin d'éliminer toute impureté résiduelle.

Raccorder l'entrée et la sortie du chauffe-eau à des tuyaux ou à des raccords qui peuvent supporter la pression de fonctionnement et la température de l'eau chaude, qui peut atteindre 75°C (167°F). Ne pas utiliser de matériaux qui ne résistent pas à de telles températures.

Nous recommandons d'utiliser un raccord de type diélectrique (disponible chez votre fournisseur de plomberie local). Les unions diélectriques peuvent aider à prévenir la corrosion causée par de minuscules courants électriques circulant dans les conduites d'eau en cuivre et peuvent aider à prolonger la durée de vie du chauffe-eau.

L'appareil ne doit pas fonctionner avec des niveaux de dureté de l'eau inférieurs à 120 ppm. Si les niveaux de dureté de l'eau sont supérieurs à 250 ppm, il est conseillé d'utiliser un adoucisseur d'eau calibré et surveillé approprié pour atténuer les effets de l'eau particulièrement dure. Ne pas adoucir l'eau en dessous de 150 ppm.

Visser un « T » (identifié par une conduite d'eau froide) sur le tuyau d'entrée d'eau de l'appareil.

Il est obligatoire d'installer une vanne d'arrêt dans ce raccord en T. En cas d'installation dans un système fermé (isolé de la conduite d'eau principale de la ville), installer un vase d'expansion dans la conduite d'eau froide.

Voir le dessin à la page suivante.

N'installer aucun dispositif d'arrêt (vanne, robinet, etc.) entre l'unité de sécurité et le chauffe-eau.

E. ÉVACUATION DES CONDENSATS

Le chauffe-eau est équipé d'une évacuation des condensats : un drain doit donc être disponible à proximité de l'appareil. Celui-ci ne doit pas être situé à plus de 36 pouces du sol (une évacuation de linge est acceptable). En l'absence de drain, il faut utiliser une pompe à condensats ordinaire d'une capacité d'au moins 1 gallon par jour.

Ce produit à haute efficacité crée du condensat (eau) dans le cadre du processus de chauffage et dispose d'un plateau de condensation intégré pour collecter le condensat du serpentin de l'évaporateur. Le condensat s'écoule hors de l'unité.

Visser le raccord en « T » fourni (identifié par la conduite d'eau froide) sur la sortie de l'évacuation des condensats de l'appareil. Puis, acheminer la conduite de condensats d'au moins 3/4 po avec les matériaux définis par les codes locaux jusqu'à l'évacuation des condensats ou la pompe à condensats appropriée. Veiller à ce que le tuyau soit protégé contre les dommages causés par le gel.

Diriger le tuyau d'évacuation des condensats vers un drain situé à une hauteur maximale de 3 pieds au-dessus du sol (un drain de buanderie est acceptable). Si une telle évacuation n'est pas disponible, installer une pompe d'évacuation des condensats d'une capacité d'au moins 1 gallon/jour (non fournie) et acheminer les condensats vers un drain approprié.

REMARQUE : s'assurer que la tuyauterie des condensats est protégée contre les dommages dus au gel et qu'elle n'est ni pliée ni bloquée de quelque manière que ce soit.

Un tuyau de vidange des condensats bloqué peut provoquer un débordement.

⚠ ATTENTION

La conduite de condensat ne doit pas être obstruée. Si le condensat peut geler dans la conduite ou être obstrué d'une autre manière, le condensat s'écoulera dans le bac d'évacuation. Il est obligatoire d'installer le capteur de fuite et le bac d'égouttage pour déclencher l'alarme. Lors de l'installation d'une pompe à condensats, choisir un modèle homologué pour les appareils à condensation. La pompe à condensats doit être équipée d'un interrupteur de trop-plein afin d'éviter tout dommage matériel en cas de déversement.

ATTENTION

Ne pas regrouper les tuyaux d'évacuation pour éviter les dysfonctionnements et les dommages matériels. Ces dommages NE SONT PAS couverts par la garantie.

ATTENTION

Ne pas raccorder le même tuyau aux deux orifices de condensat. Cela entraînerait un mauvais fonctionnement, des fuites de condensat et des dommages matériels. Ces dommages NE SONT PAS couverts par la garantie.

FONCTION ANTIBACTÉRIENNE (ANTILÉGIONELLOSE)

Les légionelles sont de petites bactéries en forme de bâtonnet qui se trouvent naturellement dans l'eau douce. La maladie du légionnaire est une pneumonie grave causée par l'inhalation de la bactérie Legionella pneumophila ou d'autres espèces de Legionella. Cette bactérie est fréquemment présente dans les circuits d'eau domestiques, hôteliers et autres, ainsi que dans l'eau utilisée pour les systèmes de climatisation ou de refroidissement de l'air. C'est pourquoi la principale intervention contre cette maladie est la prévention, par le contrôle de l'organisme dans les circuits d'eau. Ce chauffe-eau à accumulation est fourni avec le cycle de désinfection thermique (fonction antibactérienne) désactivé par défaut. Il est recommandé de faire fonctionner la fonction antibactérienne une fois tous les 30 jours, en augmentant la température du chauffe-eau à 60°C (140°F).

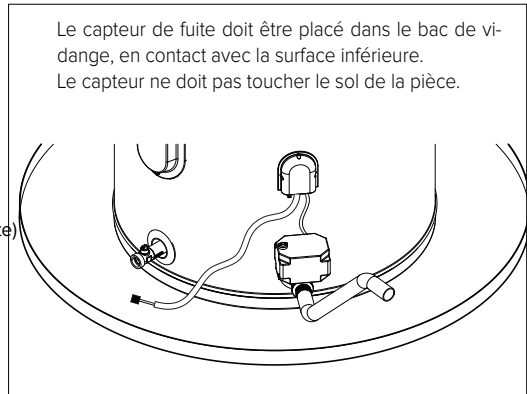
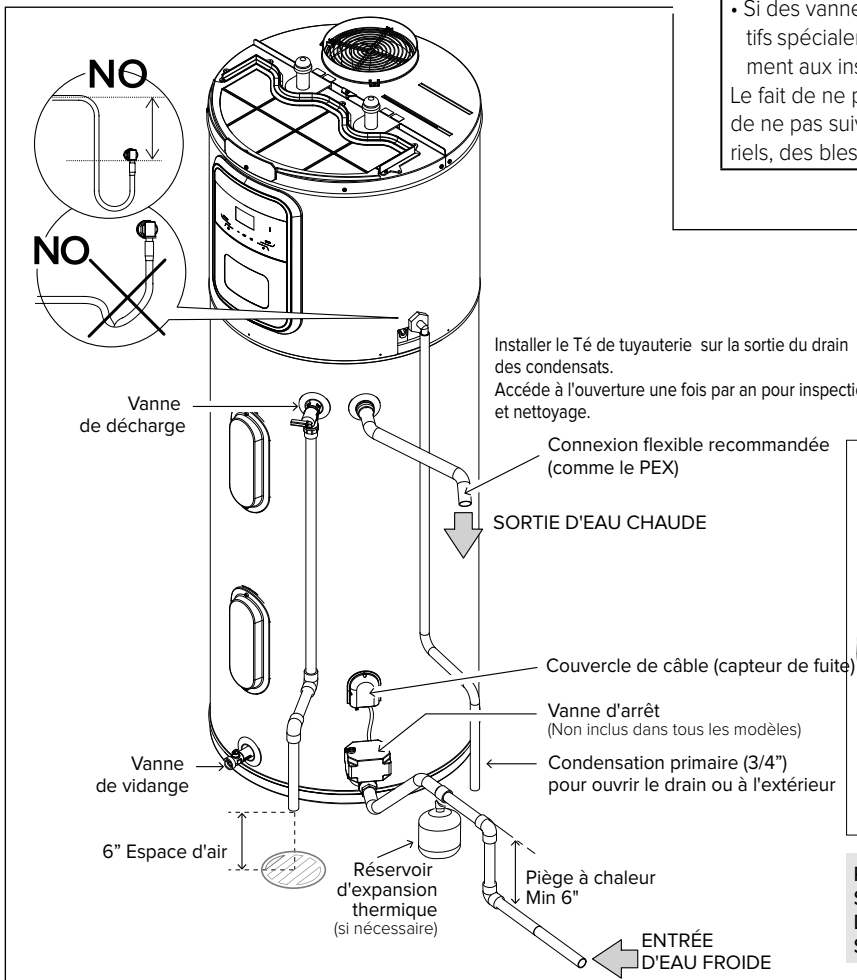
⚠ AVERTISSEMENT

Un limiteur de température ou un mitigeur ASSE 1017 ou ASSE 1070 est recommandé dans les installations destinées aux personnes handicapées, aux personnes âgées ou aux enfants. Les vannes de mélange peuvent réduire le risque de brûlure, sans l'éliminer.

Pour éviter les brûlures :

- Régler la température de consigne du chauffe-eau aussi bas que possible.
- Vérifier la température de l'eau à la main avant le bain ou la douche.
- Si des vannes thermostatiques sont nécessaires, utiliser des dispositifs spécialement conçus à cet effet. Installer ces appareils conformément aux instructions fournies par le fabricant.

Le fait de ne pas installer un limiteur de température ou un mitigeur et de ne pas suivre ces instructions peut entraîner des dommages matériels, des blessures graves voir la mort suite à des brûlures.



REMARQUE : SI L'ON UTILISE DES TUYAUX EN CUIVRE, LES RACCORDS DOIVENT ÊTRE DIÉLECTRIQUES À L'ENTRÉE ET À LA SORTIE.

F. SOUPAPE DE DÉCHARGE

Une vanne de décharge de température et de pression combinée, conforme à la norme ANSI Z21.22, Standard for Relief Valves and Automatic Gas Shut-Off Devices for Hot Water Supply Systems, est fournie et doit rester installée dans l'ouverture prévue et marquée à cet effet sur le chauffe-eau. Aucune vanne de quelque type que ce soit ne doit être installée entre la vanne de décharge et le réservoir. Les codes locaux doivent régir l'installation des vannes de décharge.

⚠ AVERTISSEMENT

La pression nominale de la vanne de décharge ne doit pas dépasser 150 PSI, soit la pression de service maximale du chauffe-eau indiquée sur la plaque signalétique. Le non-respect de cet avertissement peut entraîner une explosion, des dommages matériels, des blessures corporelles voire la mort.

La valeur nominale BTU/h de la vanne de décharge ne doit pas être inférieure à la valeur nominale d'entrée du chauffe-eau indiquée sur l'étiquette de valeur nominale située à l'avant du chauffe-eau (1 watt = 3,412 BTU/h).

Raccorder la sortie de la vanne de décharge à un drain ouvert approprié afin que l'eau évacuée n'entre pas en contact avec des pièces électriques sous tension ou des personnes, et afin d'éviter tout risque de dégâts des eaux.

La tuyauterie doit être d'un type approuvé pour la distribution d'eau chaude. La conduite de décharge ne doit pas être plus petite que la sortie de la vanne et doit être inclinée vers le bas à partir de la vanne pour permettre un drainage complet (par gravité) de la vanne de décharge et de la conduite de décharge. L'extrémité de la conduite de refoulement ne doit pas être filetée ou dissimulée et doit être protégée du gel. Aucune vanne de quelque type que ce soit, restriction ou raccord de réducteur ne doit être installée dans la conduite de décharge.

⚠ AVERTISSEMENT

Pour réduire le risque de pressions et de températures excessives dans ce chauffe-eau, installer un équipement de protection contre la température et la pression requis par les codes locaux et au moins une vanne de décharge combinée de température et de pression certifiée par un laboratoire d'essai reconnu au niveau national qui maintient une inspection périodique de la production des équipements ou des matériaux répertoriés, répondant aux exigences des vannes de décharge et des dispositifs d'arrêt automatique du gaz pour les systèmes d'alimentation en eau chaude, ANSI Z21.22. Cette vanne doit être marquée d'une pression de consigne maximale ne dépassant pas la pression de service maximale marquée du chauffe-eau, et l'orienter ou fournir une tubulure de manière à ce que toute décharge de la vanne ne sorte qu'à 6 pouces au-dessus ou à n'importe quelle distance au-dessous du plancher structurel, et n'entre pas en contact avec une pièce électrique sous tension. L'orifice d'évacuation ne doit en aucun cas être obstrué ou réduit.

Le non-respect des instructions de cet avertissement peut entraîner une explosion, des dommages matériels, des blessures corporelles voire la mort.

G. POUR REMPLIR LE CHAUFFE-EAU

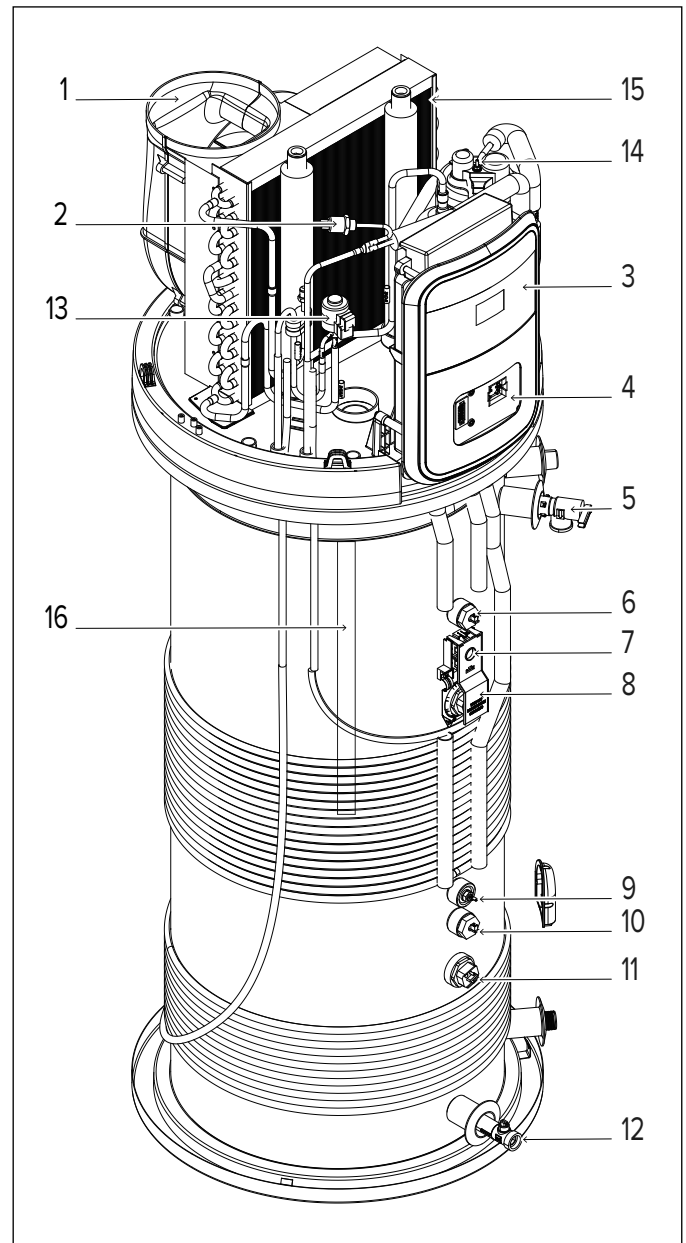
ATTENTION

Le réservoir doit être plein d'eau avant d'allumer le chauffe-eau. La garantie du chauffe-eau ne couvre pas les dommages ou les défaillances résultant du fonctionnement avec un réservoir vide ou partiellement vide.

1. S'assurer que la vanne de vidange est complètement fermée.
2. Ouvrir la vanne d'arrêt dans la conduite d'alimentation en eau froide (vanne d'arrêt non incluse dans tous les modèles).
3. Ouvrir lentement chaque robinet d'eau chaude pour permettre à l'air de s'échapper du chauffe-eau et de la tuyauterie.

Un débit d'eau constant provenant du (des) robinet(s) d'eau chaude indique que le chauffe-eau est plein.

H. COMPOSANTS PRINCIPAUX



1	Ventilateur
2	Vanne de dégivrage
3	Pressostat de sécurité
4	ECOPORT
5	Vanne de décharge
6	Capteur de température NTC supérieur (eau chaude)
7	Thermostat
8	Élément supérieur
9	Anode alimentée
10	Capteur de température NTC inférieur (zone de l'élément chauffant)
11	Élément inférieur
12	Vanne de vidange
13	Vanne de détente électronique
14	Compresseur
15	Évaporateur
16	Anode de magnésium

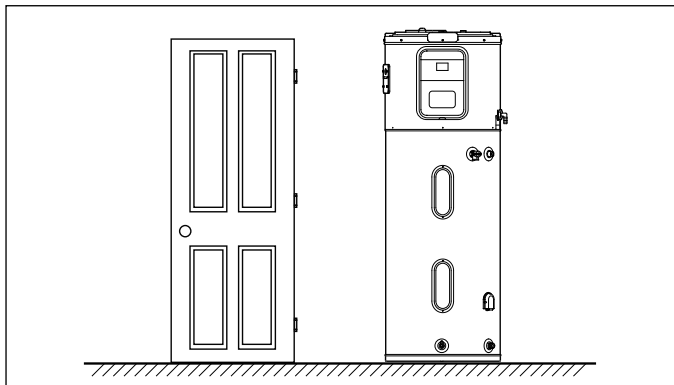
I. RACCORDS D'ALIMENTATION EN AIR

EMPLACEMENTS OFFRANT UNE EFFICACITÉ OPTIMALE

Réchauffeur : non canalisé

Taille de la pièce : plus de 700pi³ (p. ex. 7 pi x 10 pi x 10 pi).

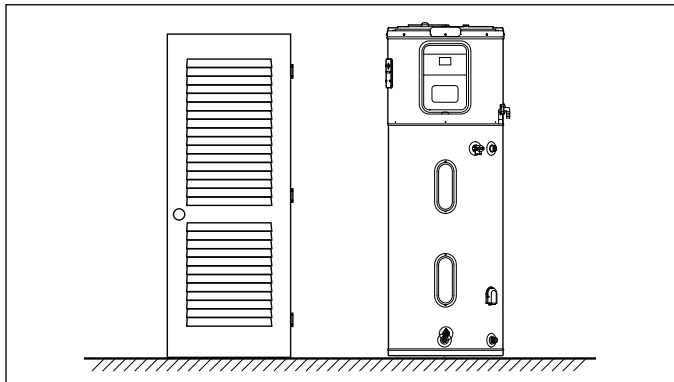
Exigences : aucune ventilation supplémentaire n'est nécessaire.



Réchauffeur : non canalisé

Taille de la pièce : moins de 700pi³ (p. ex. 7 pi x 10 pi x 10 pi).

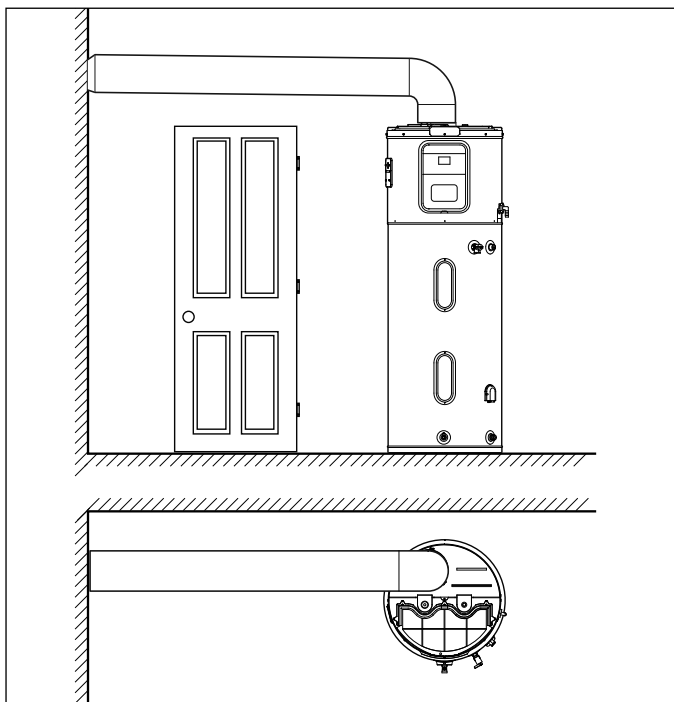
Exigences : porte entièrement persienne OU deux volets en haut et en bas. Voir ci-dessous.



Chauffage : Conduit avec conduit de sortie

Taille de la pièce : Toute taille de pièce

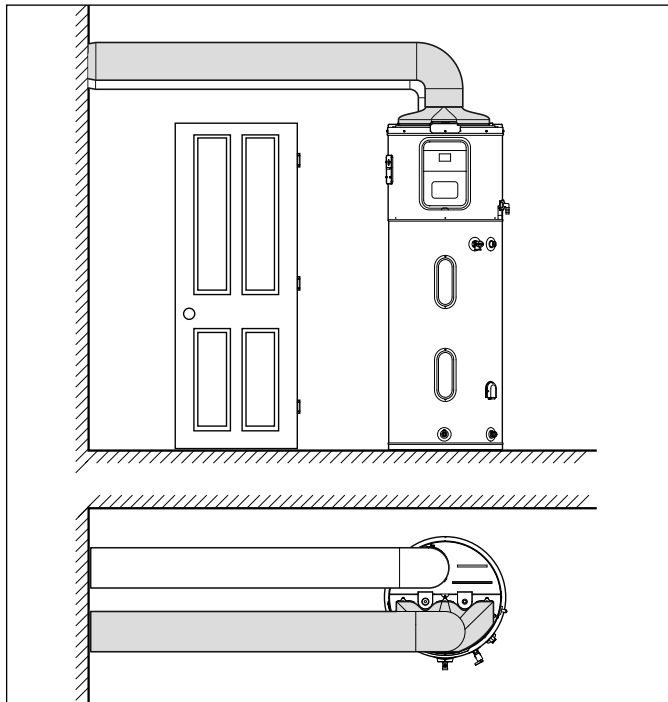
Exigences : Aucune ventilation supplémentaire n'est nécessaire.



Chauffage : Conduit avec conduit d'entrée ET de sortie

Taille de la pièce : Toute taille de pièce

Exigences : Aucune ventilation supplémentaire n'est nécessaire.



LONGUEUR MAXIMALE DU CONDUIT

Type de conduit Diamètre	8"	7"	6"	5"
RIGIDE	340'	160'	65'	17'
FLEXIBLE	125'	65'	25'	--

PIEDS ÉQUIVALENTS POUR ACCESSOIRES DE CONDUITS

Description	8"	7"	6"	5"
Coudes/courbes flexibles (chacun) [Maximum 11 admis]	5' [8]	5' [8]	5' [8]	5' [8]
Tenuation certifiée UL de 8 pouces pour la canalisation à l'extérieur (chacun)	5'	5'	5'	5'
Diamètre réduit certifié UL Terminaison pour canalisation extérieure (chacun)	N/A	10'	15'	20'
Registre de 8 pouces pour canalisation intérieure (chacun)	5'	5'	5'	5'
Registre à diamètre réduit pour canalisation intérieure (chacun)	N/A	10'	15'	20'
Écran Rodem (doit être supérieur à 83% zone ouverte) (chacun)	1'	1'	1'	1'
Diamètre approuvé de 8 po Amortisseur de conduit	25'	20'	10'	5'

REMARQUE : liste les bobines équivalentes pour les accessoires de conduits et les terminaisons de diamètre réduit.

J. BRANCHEMENTS ÉLECTRIQUES

ATTENTION

Le réservoir doit être plein d'eau avant la mise sous tension. Les éléments chauffants seront endommagés s'ils sont sous tension, même pendant une courte période, alors que le réservoir est sec. Les défaillances dues à la « mise sous tension à sec » NE SONT PAS couvertes par la garantie.

Le chauffe-eau doit être raccordé à un circuit séparé de 30 ampères et 240 V avec des conducteurs en cuivre, un dispositif de protection contre les surtensions et des moyens de déconnexion appropriés fournis par un électricien qualifié. Tous les câblages doivent être conformes aux codes locaux ou à la dernière édition du Code national de l'électricité ANSI/NFPA 70.

Le chauffe-eau est entièrement câblé à la boîte de jonction située sur le dessus du chauffe-eau. Une ouverture pour un raccord électrique de 1/2" ou 3/4" est prévue pour les connexions de câblage sur le terrain.

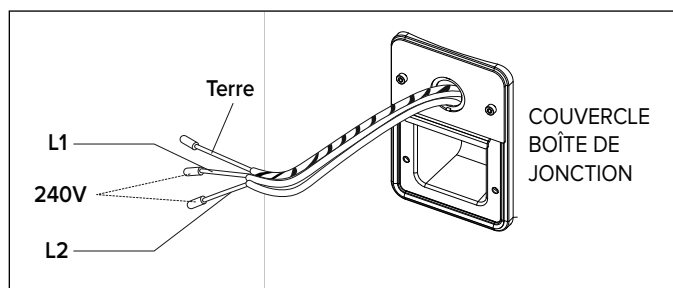
Les exigences de tension et la charge en watts pour le chauffe-eau sont spécifiées sur l'étiquette nominale à l'avant du chauffe-eau.

Le câblage du circuit de dérivation doit comprendre l'un ou l'autre des éléments suivants :

1. Conduit métallique ou câble à gaine métallique homologué pour servir de conducteur de terre et installé avec des raccords homologués à cet effet.
2. Les câbles à gaine non métallique, les conduits métalliques ou les câbles à gaine métallique dont l'utilisation en tant que conducteur de terre n'est pas approuvée doivent comporter un conducteur distinct pour la mise à la terre. Il doit être relié aux bornes de mise à la terre du chauffe-eau et à la boîte de distribution électrique.

ATTENTION

Ne pas faire d'erreur lors des connexions électriques. 240VCA doit être appliqué aux fils L1 et L2 indiqués dans le schéma ci-dessous. Le câblage incorrect du chauffe-eau peut endommager le compresseur ou d'autres composants électriques. Une telle défaillance annulera la garantie.



⚠ AVERTISSEMENT

Une mise à la terre correcte est essentielle. La présence d'eau dans la tuyauterie et le chauffe-eau n'assure pas une conduction suffisante pour une mise à la terre. Les tuyaux non métalliques, les raccords diélectriques, les connecteurs flexibles, etc. peuvent isoler électriquement le chauffe-eau. Une mise à la terre incorrecte peut entraîner des blessures graves ou la mort par électrocution.

La garantie du chauffe-eau ne couvre pas les dommages ou défauts causés par l'installation, la fixation ou l'utilisation de tout type de dispositif d'économie d'énergie ou d'autres dispositifs non approuvés (autres que ceux autorisés par le fabricant) dans, sur ou en conjonction avec le chauffe-eau. L'utilisation de dispositifs d'économie d'énergie non autorisés peut réduire la durée de vie du chauffe-eau et mettre en danger la vie et les biens.

Le fabricant décline toute responsabilité en cas de perte ou de blessure résultant de l'utilisation de tels dispositifs non autorisés.

	CÂBLE	FUSIBLE
Alimentation permanente (câble fourni avec l'appareil)	AWG 10 ϕ min. 5,26 mm ²	30A

Si les codes locaux exigent l'application externe des kits de couverture d'isolation, les instructions du fabricant incluses dans le kit doivent être suivies attentivement.

K. CONFORMITÉ RÉGLEMENTAIRE

FCC

Cet équipement a été testé et déclaré conforme aux limites imposées aux appareils numériques de classe B, conformément à la partie 15 des règles de la FCC. Ces limites sont conçues pour fournir une protection raisonnable contre les interférences nuisibles dans une installation résidentielle. Cet équipement génère, utilise et peut émettre des fréquences radio et, s'il n'est pas installé et utilisé conformément aux instructions, peut causer des interférences nuisibles aux communications radio. Cependant, il n'y a aucune garantie que des interférences ne se produiront pas dans une installation particulière. Si cet équipement provoque des interférences nuisibles à la réception de la radio ou de la télévision, ce qui peut être déterminé en éteignant et en allumant l'équipement, l'utilisateur est encouragé à essayer de corriger les interférences en prenant une ou plusieurs des mesures suivantes :

- Réorienter ou déplacer l'antenne de réception.
- Augmenter la distance entre l'équipement et le récepteur.
- Brancher l'équipement sur une prise sur un circuit différent de celui auquel le récepteur est connecté.
- Consulter le revendeur ou un technicien radio/TV expérimenté pour obtenir de l'aide.

Avertissement : les changements ou modifications non expressément approuvés par la partie responsable de la conformité peuvent annuler l'autorité de l'utilisateur à faire fonctionner l'équipement. (Partie 15.21). Cet appareil est conforme à la partie 15 des règles de la FCC. Son fonctionnement est soumis aux deux conditions suivantes : (1) cet appareil ne doit pas provoquer d'interférences nuisibles et (2) cet appareil doit accepter toute interférence reçue, y compris les interférences susceptibles de provoquer un fonctionnement indésirable.

IC

Cet équipement a été testé et déclaré conforme aux limites imposées aux appareils numériques de classe B, conformément à RSS-210 des règles IC. Ces limites sont conçues pour fournir une protection raisonnable contre les interférences nuisibles dans une installation résidentielle. Cet équipement génère, utilise et peut émettre des fréquences radio et, s'il n'est pas installé et utilisé conformément aux instructions, peut causer des interférences nuisibles aux communications radio. Cependant, il n'y a aucune garantie que des interférences ne se produiront pas dans une installation particulière. Si cet équipement provoque des interférences nuisibles à la réception de la radio ou de la télévision, ce qui peut être déterminé en éteignant et en allumant l'équipement, l'utilisateur est encouragé à essayer de corriger les interférences en prenant une ou plusieurs des mesures suivantes :

- Réorienter ou déplacer l'antenne de réception.
- Augmenter la distance entre l'équipement et le récepteur.
- Brancher l'équipement sur une prise sur un circuit différent de celui auquel le récepteur est connecté.
- Consulter le revendeur ou un technicien radio/TV expérimenté pour obtenir de l'aide.

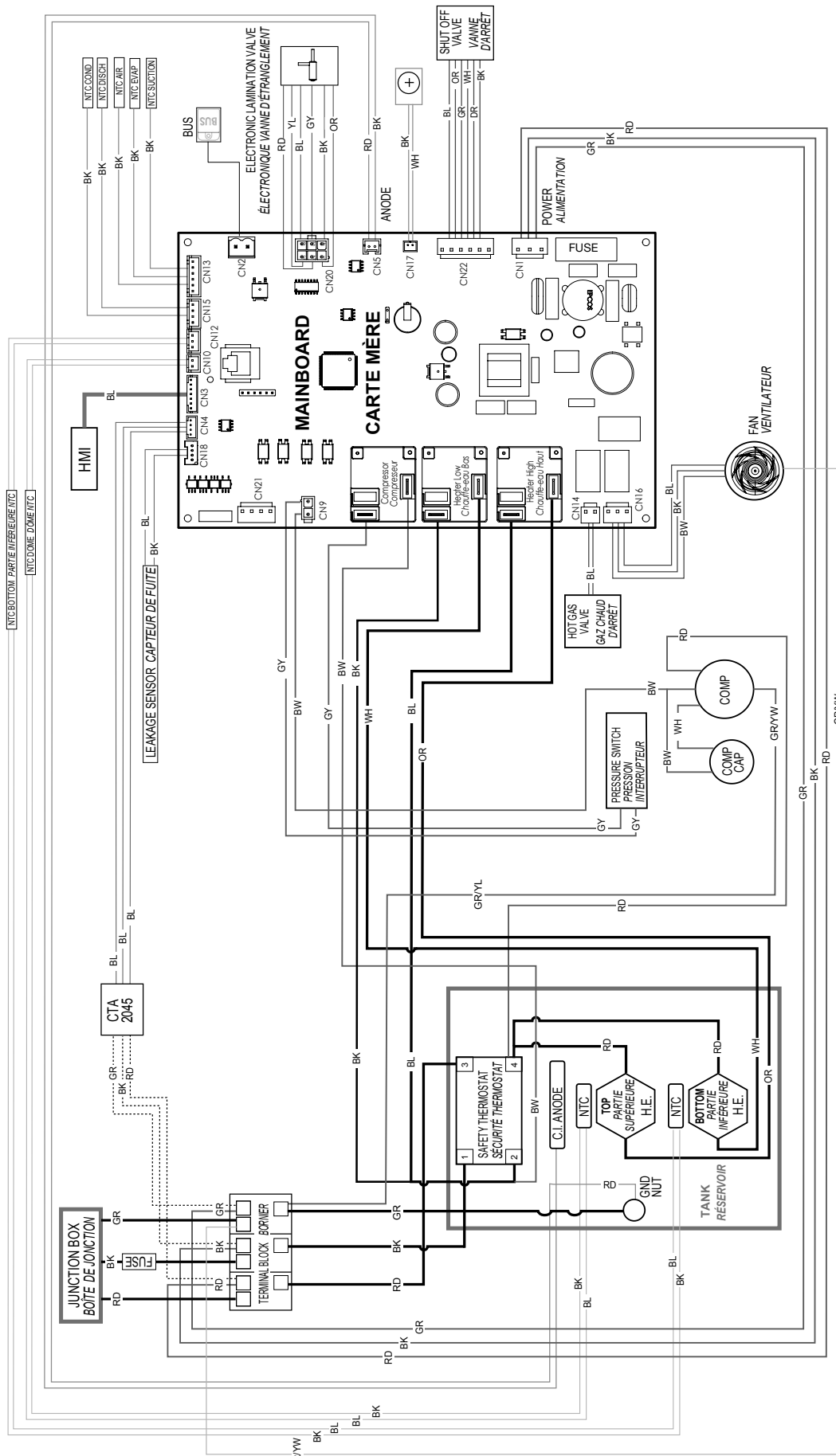
Avertissement : les changements ou modifications non expressément approuvés par la partie responsable de la conformité peuvent annuler le droit de l'utilisateur à faire fonctionner l'équipement. (RSS-210). Cet appareil est conforme à la norme RSS-210 des règles IC. Son utilisation est soumise aux deux conditions suivantes :

(1) cet appareil ne doit pas causer d'interférences nuisibles, et (2) cet appareil doit accepter toute interférence reçue, y compris toute interférence susceptible d'entraîner un fonctionnement indésirable.

Déclaration d'exposition aux rayonnements

Pour respecter les limites d'exposition aux radiofréquences de la FCC et d'Industrie Canada pour la population générale / exposition non contrôlée, la ou les antennes utilisées pour cet émetteur doivent être installées de manière à assurer une distance de séparation d'au moins 0,78 in (20 mm) de toutes les personnes et fonctionner en conjonction avec toute autre antenne ou tout autre émetteur, sauf en conformité avec les procédures de la FCC relatives aux produits à émetteurs multiples.

INTERNAL WIRING DETAILS



WIRE COLOR CODE CODE COULEUR DU FIL	
BK	BLACK / NOIR
BW	BROWN / MARRON
BL	BLUE / BLEU
GR	GREEN / VERT
GY	GRAY / GRIS
OR	ORANGE / ORANGE
FU	FUCHSIA / FUCHSIA
RD	RED / ROUGE
WH	WHITE / BLANC
YW	YELLOW / JAUNE

—	10 AWG
—	12 AWG
—	16 AWG
—	18 AWG
—	20 AWG
—	22 AWG
—	23 AWG
—	24 AWG

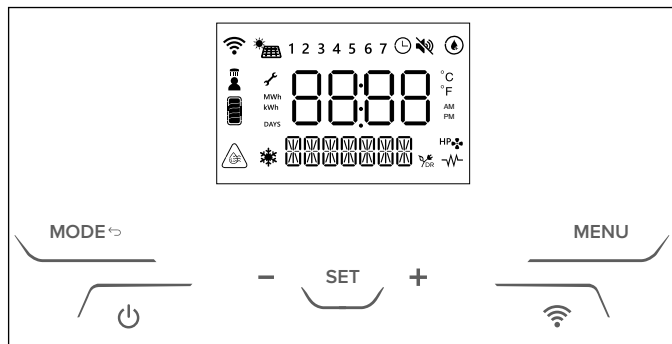
PARTIE 3 – CONTRÔLES

⚠ AVERTISSEMENT !

L'installation et le démarrage initial de l'appareil doivent être effectués par du personnel qualifié conformément à la réglementation nationale en vigueur concernant l'installation.

A. VUE D'ENSEMBLE

L'interface utilisateur est composée d'un écran LCD et de 7 boutons tactiles. Il est doté de 2 LED bleues : POWER (lorsque le produit est alimenté) et BOOST (lorsque la fonction BOOST a été activée).



Liste des icônes affichées à l'écran :

	Une erreur s'est produite
	Wi-Fi activé
	Programmation horaire activée
1...7	Jour de la semaine (1 = Dimanche)
	Pompe à chaleur activée
	Élément chauffant activé
	La fonction antibactérienne (Antilégionellose) est activée
DR	Réponse à la demande activée
	La fonction ANTIGEL est activée
	Avertissement brûlures - Tset > 125F
	Douche à l'eau chaude disponible
	Estimation de l'eau chaude disponible (en fonction de la température réglée)

Une fois le chauffe-eau raccordé aux réseaux d'eau et d'électricité, il faut le remplir d'eau. Pour remplir le chauffe-eau, ouvrir le robinet d'arrivée d'eau froide et le robinet d'eau chaude le plus proche. S'assurer que tout l'air présent dans le circuit a été purgé. Vérifier visuellement qu'il n'y a pas de fuite d'eau au niveau de la bride et des raccords de tuyauterie et les serrer doucement, si nécessaire. La pompe à chaleur nécessite 5 minutes pour devenir pleinement opérationnelle lors de son premier démarrage.

Lors de l'installation, si la température de l'eau à l'entrée et dans le réservoir est inférieure à 49°F, les éléments chauffants seront utilisés pour chauffer l'eau.

Une fois que les deux capteurs de température atteignent 49°F, la pompe à chaleur commence à fonctionner.

AVERTISSEMENT ! Une température de l'eau chaude supérieure à 50°C (120°F) peut immédiatement provoquer de graves brûlures. Les enfants, les personnes handicapées et les personnes âgées courent un plus grand risque à cet égard. Il est donc conseillé d'installer un mitigeur thermostatique sur le circuit de chauffage de l'eau.

AVERTISSEMENT !

Si la température de l'eau est réglée au-dessus de 125°F, l'écran affiche cette icône indiquant un risque d'ébouillantage.

B. INSTRUCTIONS D'UTILISATION

Appuyer sur le bouton « » pour mettre le chauffe-eau en marche. L'écran affiche la température réglée et le mode de fonctionnement, tandis que le symbole « » et/ou le symbole « » indiquent le fonctionnement de la pompe à chaleur et/ou de l'élément chauffant respectivement.

Appuyer sur le bouton « » pendant 1 seconde pour éteindre le chauffe-eau. La protection contre la corrosion du réservoir est assurée par une anode à courant imposé en titane. Le chauffe-eau veille à ce que la température de l'eau à l'intérieur du réservoir ne descende pas en dessous de 5°C.

RÉGLAGE DE LA TEMPÉRATURE

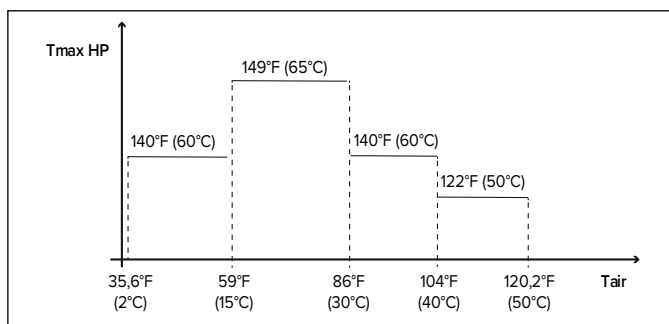
Appuyer sur les boutons « + » et « - » pour régler la température de l'eau chaude souhaitée (l'écran clignotera temporairement « POINT DE CONSIGNE T »).

Appuyer sur le bouton « **SET** » pour afficher la température de l'eau dans le réservoir ; elle sera affichée pendant 3 secondes.

En mode pompe à chaleur, les températures min/max sont de 40°C/65°C (104°F/149°F), par défaut. La température maximale pouvant être atteinte avec l'élément chauffant est de 149°F (65°C). Cette valeur peut être modifiée dans le menu installateur.

TEMPÉRATURE DE LA POMPE À CHALEUR

La température maximale pouvant être atteinte lorsque la pompe à chaleur fonctionne est fonction de la température de l'air. Le tableau ci-dessous indique les températures de fonctionnement possibles de la pompe à chaleur en fonction des températures d'entrée d'air.



DOUCHES DISPONIBLES « »

Lorsque l'écran affiche l'icône ci-dessus, au moins une douche est disponible. Les douches disponibles dépendent de la disponibilité de l'eau chaude. Une douche est calculée comme suit : 10 gal à 104°F (37,8l à 40°C). Nécessité d'ajuster la fonctionnalité - 18 gallons minimum à 105°F (8 gallons à 2,2GPM)

MODE DE FONCTIONNEMENT

Le bouton « **MODE** » permet de modifier le mode de fonctionnement utilisé par le chauffe-eau pour atteindre la température programmée. Le mode sélectionné sera affiché sur la ligne en dessous de la température.

• GREEN

Pompe à chaleur uniquement, la priorité étant donnée aux économies d'énergie. L'élément chauffant ne se met en marche que pour les fonctions de secours ou de sécurité (erreurs, température de l'air hors de la plage de fonctionnement, dégivrage en cours, antibactérien).

• CONFORT (Hybride – mode de fonctionnement par défaut)

le chauffe-eau atteint la température de consigne grâce à l'utilisation rationnelle de la pompe à chaleur et, seulement si nécessaire, de l'élément chauffant. La priorité est donnée au confort.

Les tests de performance doivent être effectués en mode de fonctionnement Confort.

• FAST

Le chauffe-eau utilise à la fois la pompe à chaleur et l'élément chauffant pour atteindre la température programmée. La priorité est donnée au temps de chauffage.

• ELECTRIC

Le chauffe-eau utilise uniquement un élément chauffant non simultané. La pompe à chaleur est désactivée dans ce mode

• BOOST (une seule fois par activation)

La pompe à chaleur et l'élément chauffant sont utilisés pour atteindre la température de consigne dans le temps le plus court possible. Une fois que la température réglée est atteinte, le mode de fonctionnement précédent est réactivé.

• **I-MEMORY**

Ce mode utilise un algorithme exclusif pour réduire la consommation d'énergie et maximiser le confort en surveillant les besoins en eau chaude de l'utilisateur afin d'optimiser l'utilisation de la pompe à chaleur/de l'élément chauffant.

Le contrôle répond aux besoins quotidiens en faisant la moyenne des profils d'utilisation au cours des quatre (4) semaines précédentes.

Au cours de la première semaine d'acquisition, la température de consigne introduite par l'utilisateur reste constante. À partir de la deuxième semaine, la commande ajuste automatiquement la température de consigne pour répondre aux besoins quotidiens. Pour réinitialiser le profil I-Memory, utiliser U9. (Le mode I-Memory est visible lorsque U1 : PROGRAM est « OFF »).

• **HOLIDAY**

Utiliser ce mode lorsqu'on n'a pas besoin d'eau chaude pendant une période prolongée (par exemple, pendant les vacances). Après la période choisie, le mode Vacances est désactivé et l'appareil fonctionne selon le réglage précédent. Le mode vacances est défini dans le menu utilisateur. Dans ce mode, aucun chauffage n'est effectué ; la protection antigel et le cycle antibactérien sont garantis.

Après révision des commandes : "L'écran affichera « AWAY »"

C. MENU UTILISATEUR

Pour accéder au menu utilisateur, appuyer sur « MENU ».

Le mot INFO apparaîtra à l'écran. Appuyer sur les boutons « + » et « - » pour faire défiler les paramètres U1, U2, U3 ... U10. Les descriptions des paramètres sont présentées ci-dessous. Une fois le paramètre choisi, appuyer sur le bouton « SET » pour le sélectionner. Pour revenir à la sélection des paramètres, appuyer sur le bouton « MODE ↵ ».

PARAMÈTRE	NOM	DESCRIPTION DU PARAMÈTRE
U1	PROGRAM	ACTIVER POUR UTILISER L'OPÉRATION BASÉE SUR LE TEMPS MODES COMPATIBLES : GREEN, CONFORT, FAST, ELECTRIC I-MEMORY N'EST PAS COMPATIBLE AVEC LA FONCTION DU PROGRAMME.
U2	PRGTIME	L'utilisateur peut sélectionner les créneaux horaires souhaités pour Fonction PROGRAM (Voir PROGRAMMATION HORAIRE).
U3	PRG SET	L'utilisateur peut personnaliser la programmation de l'heure (Voir RÉGLAGE DES PROGRAMMES).
U4	HOLIDAY/AWAY	Activer/désactiver le mode HOLIDAY/AWAY Lorsque l'activation est confirmée, l'utilisateur doit saisir le nombre de jours d'absence en tant que « jours de vacances ». [1, 99]
U5	ANTBACT	Non disponible.
U6	DATE	Définit la date (année, mois, jour) et l'heure (heures et minutes). L'utilisateur peut activer/désactiver le commutateur automatique pendant l'heure d'été/... heure.
U7	REPORTS	Affiche la consommation totale d'énergie.
U8	SILENT	non disponible
U9	I-MRESET	Cette fonction efface les données I-MEMORY enregistrées et redémarre l'apprentissage de la commande. Pour réinitialiser les profils de livraison, sélectionnez On et appuyez sur la touche SET.
U10	WIFI RS	Pour réinitialiser les données Wi-Fi, sélectionner Activé et appuyer sur le bouton SET.
U11	UN-TYPE	Format de type d'unité SI/USA. Valeur par défaut USA.
U12	HR TYPE	Format d'heure 24h/12h. Valeur par défaut 12h
U13	DR BREAK	Ce paramètre est utilisé pour entrer/quitter le remplacement de la réponse à la demande.
U14	TOU CON	Il ouvre le point d'accès pour télécharger les tarifs TOU hors ligne.

• **PROGRAMMATION HORAIRE**

Paramètre U2 PRGTIME.

Le mode programmation peut être activé et désactivé à l'aide du paramètre U1 du MENU UTILISATEUR.

Lorsque le mode programmation est activé, le produit ne fonctionnera que pour atteindre la température programmée dans les plages horaires sélectionnées et sera limité à la température minimale du produit en dehors des plages horaires (la température minimale peut être réglée via paramètre P5 dans le menu installateur), sauf dans le cas où la fonction PREHEAT (U3.2 dans le menu utilisateur) est activée car la pompe à chaleur préchauffe l'eau et la température programmée est atteinte au début de la plage horaire sélectionnée.

La programmation horaire ne fonctionne que dans les modes de fonctionnement VERT, CONFORT, RAPIDE et ÉLECTRIQUE.

Les boutons [START] et [STOP] permettent de définir le début et la fin d'une plage horaire. Après la quatrième plage horaire, pour réinitialiser la plage horaire sélectionnée et les suivantes, appuyer sur « + » « - » jusqu'à ce que « OFF » s'affiche, puis appuyer sur « SET ». Si un créneau horaire n'est pas défini, il reste non défini.

Exemple : le chauffage de l'eau doit fonctionner de 8h à 12h et de 16h à 20h.

[START1] = 8h00; [STOP1] = 12h00 ;

[START2] = 16h00; [STOP2] = 20h00 ;

[START3] = 0h00; [STOP3] = 00h00 ;

[START4] = 0h00; [STOP4] = 00h00 ;

Si ALL_DAYS est sélectionné, les mêmes créneaux horaires sont attribués du lundi au dimanche. Ensuite, chaque jour de la semaine peut être personnalisé un par un, en sélectionnant le paramètre correspondant.

Par conséquent, chaque jour de la semaine peut être personnalisé un par un en sélectionnant le paramètre correspondant.

Avertissement : si la période sélectionnée est trop courte, la température souhaitée peut ne pas être atteinte.

PARAMÈTRE	NOM	DESCRIPTION DU PARAMÈTRE
U2.1		MÊME HORAIRE POUR TOUS LES JOURS
U2.2	SUNADY	
U2.8	SATURDAY	Programmation journalière individuelle.

Télécharger l'application **Comfort Link** pour gérer les horaires sur votre appareil intelligent.

• **RÉGLAGES DES PROGRAMMES**

Paramètre de RÉGLAGE U3 PRG. Permet à l'utilisateur de personnaliser différents modes de fonctionnement lorsque U1 est activé.


PARAMÈTRE	NOM	DESCRIPTION DU PARAMÈTRE
U3.1	T MIN	La température minimale de l'eau est garantie quel que soit le programme horaire.
U3.2	PREHEAT	La pompe à chaleur préchauffe l'eau. La température réglée est atteinte au début du programme temporel sélectionné.

D. MENU DE L'INSTALLATEUR



ATTENTION !

LES PARAMÈTRES SUIVANTS NE DOIVENT ÊTRE AJUSTÉS QUE PAR DU PERSONNEL QUALIFIÉ

Les principaux paramètres du produit peuvent être modifiés via le menu d'installation. Les paramètres modifiables sont affichés à l'écran avec le symbole de la clé «  ».

Pour accéder au menu de l'installateur, appuyer sur le bouton « MENU » pendant 3 secondes, appuyer sur les boutons « + » et « - » et entrer le code d'accès 234..

PARAMÈTRE	NOM	DESCRIPTION DU PARAMÈTRE
P0	CODE	Entrer le code pour accéder au menu d'installation. L'écran affichera le nombre 222, appuyer sur les boutons « + » et « - » et entrer le code 234, appuyer sur le bouton « SET » pour confirmer. Il sera alors possible d'accéder au menu de l'installateur.
P1	NON DISPONIBLE	
P2	ANTIBACT	Pour désactiver/activer la fonction antibactérienne (antilégionelle) ON (fonction activée) - OFF (fonction désactivée)
P3	T ANTB	Donne la température à atteindre 140°F/ 149°F [60/65°C] avec le cycle antibactérien et à maintenir pendant 1 heure au moins.
P4	T MAX	Réglage de la température maximale atteignable 140°F/ 149°F [60/65°C]. Une valeur de température plus élevée permet d'utiliser une plus grande quantité d'eau chaude.
P5	T MIN	Réglage de la température minimale réalisable 104°F/ 122°F [40/50°C]. Un réglage de température plus bas permet un fonctionnement plus économe en énergie en cas de consommation limitée d'eau chaude.
P6	I-M TMIN	Température minimale à garantir en mode I-Memory lorsqu'aucun retrait n'a été détecté par l'algorithme.
P7	TMAX HP	Non disponible.
P8	TMINAIR	Température minimale de l'air qui assure le fonctionnement de la pompe à chaleur ; si la température de l'air descend en dessous de cette valeur, le compresseur est inhibé. Il peut être réglé par l'installateur dans la plage 36°F/50°F [2, 10°C].
P9	HYST	Valeur d'hystérésis (décalage) qui permet à la pompe à chaleur de redémarrer après avoir atteint la température cible. Il peut être réglé par l'installateur dans la plage 5°F/ 21°F [3/ 12°C].
P10	TANKVOL	Affiche la capacité du réservoir. Utile pour la commande de pièces de rechange. ex : 50 = 50 gallons.
P11	NON DISPONIBLE	
P12	NON DISPONIBLE	
P13	NON DISPONIBLE	
P14	NON DISPONIBLE	
P15	NON DISPONIBLE	
P16	SILENT	Non disponible.
P17	GAS CHARGE	Opération de remplissage de gaz.
P18	FACT RS	Restauration des paramètres d'usine. Tous les paramètres utilisateur seront réinitialisés aux valeurs par défaut, à la seule exception des statistiques énergétiques, du volume du réservoir et du Wi-Fi.
P19	MB SW	Version du logiciel HP-TOP-MB en tant que MM.mm.bb.
P20	HMI SW	Version du logiciel HP-MED-HMI en tant que MM.mm.bb.
P21	T LOW	Donne la température de l'eau lue par le NTC placé en position basse dans le réservoir d'eau. Si le NTC est en erreur, « - » s'affiche.
P22	NON DISPONIBLE	
P23	T DOME	Donne la température de l'eau lue par le CNT placé en position de dôme dans le réservoir d'eau. Si le NTC est en erreur, « - » s'affiche.
P24	T AIR	Donne la température de l'air lue par le NTC placé sur l'unité extérieure. Si le NTC est en erreur, « - » s'affiche.
P25	T EVAP	Donne la température du gaz en °C/°F lue par le NTC placé avant l'évaporateur sur l'unité extérieure. Si le NTC est en erreur, « - » s'affiche.

PARAMÈTRE	NOM	DESCRIPTION DU PARAMÈTRE
P26	T SUCT	Donne la température du gaz en °C/°F lue par le NTC placé avant le compresseur sur l'unité extérieure. Si le NTC est en erreur, « - » s'affiche.
P27	T COND	Donne la température du gaz en °C/°F lue par le NTC placé après le condenseur sur l'unité extérieure. Si le NTC est en erreur, « - » s'affiche.
P28	T DISC	Donne la température du gaz en °C/°F lue par le NTC placé après le compresseur sur l'unité extérieure. Si le NTC est en erreur, « - » s'affiche.
P29	T SH	Donne la température de surchauffe en °C/°F. Si la CTN d'évaporation ou d'aspiration est en erreur, « - » est affiché.
P30	ERRORS	Permet de naviguer parmi les 10 dernières erreurs survenues
P31	WI-FISET	La fonction Wi-Fi (si disponible) peut être réglée sur : ON (fonction activée) OFF (fonction désactivée)
P32	F ANTB	Fréquence du cycle antibactérien s'il est actif. Peut être réglé entre 1 et 30 jours.
P33	NON DISPONIBLE	
P34	NON DISPONIBLE	
P35	UN-TYPE	Format de type d'unité SI/USA. Valeur par défaut USA.
P36	HR TYPE	Format horaire 24h/12h. Valeur par défaut 12h.
P37	DR ENABLE	Activer/désactiver la réponse à la demande.
P38	MIX VALVE	La vanne de mélange est présente/n'est pas présente.
P39	SHUT OFF VALVE	Vanne d'arrêt présente/absente.
P40	LEAKAGE	Capteur de fuite présent/absent.
P42	ELE_FAST	Limite de fonctionnement maximale de 72h pour LES et modes BOOST : ON (par défaut) OFF (aucune limite horaire n'est appliquée)
P43	TOU SET	Il active les tarifs TOU.

DEMAND RESPONSE (DR)

Si le module CTA 2045 (ou le module EcoPort) est connecté au produit via l'EcoPort et que le paramètre P37 est activé, le produit sera prêt à recevoir des commandes de l'utilitaire.

Plusieurs commandes peuvent être reçues, telles que :

- SHED
- LOAD UP

Lorsque la commande est reçue de la grille, le produit doit arrêter le fonctionnement normal et suivre l'action de la commande. L'affichage affichera le texte « SHED » ou « LOAD UP » au lieu du mode de fonctionnement. Si nécessaire, l'utilisateur peut dépasser la commande en choisissant un mode de fonctionnement différent ou par paramètre U13 pour un maximum de 72 heures ICÔNE DR :

off : DR désactivé

on DR activé

clignotant : DR activé et le remplacement est en cours.

Dans le cas où le produit est connecté à la Demand Response et peut recevoir des commandes de chargement avancées, l'installation doit inclure une vanne de mélange ASSE1017 et le paramètre d'installation P38 doit être réglé sur ON.

TIME OF USE (TOU)

Si le produit est réglé sur un horaire TOU (voir le guide de démarrage rapide dédié), le produit fonctionnera en mode TOU. Comme pour la réponse à la demande, l'écran affichera « SHED » ou « LOAD UP » au lieu du mode de fonctionnement, en fonction du tarif. Le mode TOU ne peut être désactivé que par le paramètre P43 du menu installateur.

AVERTISSEMENT

Il est suggéré de ne pas utiliser la planification du temps lorsque la réponse à la demande est active afin d'éviter les désagréments.



ANTI-FREEZE FUNCTION

Si la température de l'eau dans le réservoir tombe en dessous de 5°C (41°F) alors que l'appareil est sous tension, l'élément chauffant (4500W) s'active automatiquement pour réchauffer l'eau jusqu'à 16°C (60,8°F).

FONCTION WI-FI (uniquement si présente)

Pour des informations détaillées sur la configuration Wi-Fi et le processus d'enregistrement du produit, veuillez consulter le guide de démarrage rapide ci-joint, consacré à la connectivité.

CONNECTION STATUS DESCRIPTION

 Wi-Fi BOUTON / PARAMÈTRE	ICÔNE Wi-Fi 	ACTION
Appuyer une fois	Blink slow	Le module Wi-Fi est activé
Appuyer pendant 5 secondes	AP	Le module Wi-Fi est activé Point d'accès
	Blink slow	Le module Wi-Fi se connecte au réseau domestique
	Double clignotement rapide	Le module Wi-Fi se connecte au réseau domestique et à Internet
	Fixe	Le module Wi-Fi est configuré correctement
	Désactivé (OFF)	Le module Wi-Fi est désactivé
Appuyer pendant 20 secondes	Allumée en permanence	Réinitialisation des statistiques Wi-Fi
Sélection du paramètre U10	Clignotement rapide	Envoi d'une commande de réinitialisation Wi-Fi

DEFAULT SETTINGS

L'appareil est fabriqué avec une série de modes, de fonctions ou de valeurs par défaut, comme indiqué dans le tableau ci-dessous :

PARAMÈTRE	RÉGLAGE D'USINE PAR DÉFAUT
MODE DE FONCTIONNEMENT	COMFORT
TEMPÉRATURE RÉGLÉE PAR DÉFAUT	125°F (52°C)
TEMPÉRATURE MAX. RÉGLABLE AVEC L'ÉLÉMENT CHAUFFANT	65°C (149°F)
TEMPÉRATURE MINIMALE PARAMÉTRABLE	40°C (104°F)
TEMPÉRATURE MAX. RÉGLABLE AVEC LA POMPE À CHALEUR	65 °C (149 °F) (pour plus de détails, consulter le diagramme ci-dessus)
PROTECTION ANTIBACTÉRIENNE	DÉSACTIVÉE
MODE VACANCES	DÉSACTIVÉE
HYSTÉRÉSIS (OFFSET)	5°C (9°F)

FAULTS

Si un défaut se produit, l'appareil passera en mode défaut. L'affichage fera clignoter les symboles avec le code d'erreur. Si le défaut concerne la pompe à chaleur, le symbole « HP » clignotera sur l'écran. Si le défaut concerne l'élément chauffant, le symbole de l'élément clignotera. Si les deux composants sont affectés, les deux symboles clignoteront.

Si le défaut n'affecte qu'une seule des deux sources de chauffage (HP ou élément chauffant), le chauffe-eau continuera à fournir de l'eau chaude en activant l'autre source de chaleur.

PARTIE 4 – ENTRETIEN, VACANCES ET NETTOYAGE

A. ENTRETIEN PRÉVENTIF DE ROUTINE

S'il est correctement entretenu, votre chauffe-eau fournira des années de service fiable et sans problème. Il est suggéré qu'un programme de maintenance préventive de routine soit établi et suivi par l'utilisateur.

INSPECTION PÉRIODIQUE

Il est en outre recommandé qu'une inspection périodique des commandes de fonctionnement, des éléments chauffants et du câblage soit effectuée par du personnel de service qualifié en réparation de chauffe-eau électrique.

La plupart des chauffe-eau électriques, même neufs, émettent un son lorsqu'ils fonctionnent. Si le niveau sonore augmente excessivement, l'élément chauffant électrique peut présenter une accumulation de tartre et nécessiter un nettoyage ou un remplacement. Contacter un installateur ou un plombier qualifié pour inspection.

VANNE DE DÉCHARGE DE TEMPÉRATURE ET DE PRESSION

Au moins une fois par an, soulever et relâcher la poignée du levier de la vanne de décharge de température et de pression, située sur le côté avant du chauffe-eau, pour vous assurer que la vanne fonctionne librement. Laisser plusieurs litres d'eau s'écouler à travers la conduite de refoulement jusqu'à un drain ouvert.

⚠ AVERTISSEMENT

Avant d'actionner manuellement la vanne de décharge, s'assurer que personne ne sera exposé à l'eau chaude libérée par la vanne. L'eau peut être suffisamment chaude pour créer un risque de brûlure.

L'eau doit être évacuée dans une canalisation appropriée afin d'éviter des dommages matériels, des blessures graves ou la mort suite à des brûlures.

REMARQUE : si la vanne de décharge de température et de pression du chauffe-eau se décharge périodiquement, cela peut être dû à une dilatation thermique dans un circuit d'eau fermé. Contacter le fournisseur d'eau ou votre plombier pour corriger ce défaut. Ne pas boucher la sortie de la vanne de décharge.

Rinçage du réservoir

Le réservoir du chauffe-eau peut servir de bassin de décantation pour les solides en suspension dans l'eau. Il n'est donc pas rare que des dépôts d'eau dure s'accumulent au fond du réservoir. Pour nettoyer le réservoir de ces dépôts, ouvrir la vanne de vidange (située sous le grand couvercle décoratif près du bas de l'appareil) et vidanger quelques litres d'eau du chauffe-eau tous les mois.

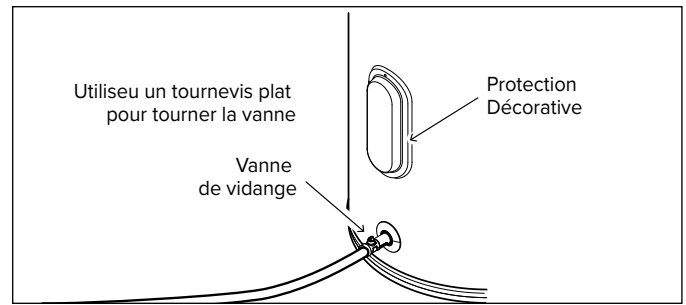
B. VIDANGE DU CHAUFFE-EAU

⚠ AVERTISSEMENT

Couper l'alimentation électrique du chauffe-eau avant de vidanger l'eau. Le non-respect de cette consigne peut entraîner des dommages matériels, des blessures graves, voire la mort.

Fixer un tuyau d'arrosage à la vanne de vidange située au bas de l'appareil et diriger le tuyau vers un drain. Pour accéder à cette vanne, il faut retirer la protection décorative.

Pour vidanger complètement le chauffe-eau, fermer la vanne principale d'alimentation en eau froide. Ouvrir un robinet d'eau chaude ou soulever la poignée de la vanne de décharge pour faire entrer de l'air dans le réservoir.



Ouvrir la vanne de vidange. Une fois la vidange terminée, fermer la vanne de vidange, rouvrir l'alimentation en eau froide et remplir le réservoir. Ouvrir un robinet d'eau chaude pour purger le circuit d'air.

C. VACANCES ET ARRÊT PROLONGÉ

Si le chauffe-eau doit rester inactif pendant une période prolongée, l'unité doit être mise en mode Vacances (vacances/absence) pour économiser de l'énergie et éviter une accumulation de gaz hydrogène dangereux.

Après une longue période d'arrêt, le fonctionnement et les commandes du chauffe-eau doivent être vérifiés par du personnel de service qualifié. S'assurer que le chauffe-eau est complètement rempli avant de le mettre en service.

⚠ AVERTISSEMENT

L'hydrogène gazeux peut être produit dans un système d'eau chaude qui n'a pas été utilisé depuis longtemps (généralement deux semaines ou plus).

L'HYDROGÈNE GAZEUX est EXTRÊMEMENT INFLAMMABLE ! Pour dissiper ce gaz et réduire le risque de blessure ou de décès, il est recommandé d'ouvrir le robinet d'eau chaude de l'évier de cuisine pendant plusieurs minutes avant d'utiliser tout chauffe-eau électrique connecté au système d'eau chaude. Si de l'hydrogène est présent, il y aura un son inhabituel, tel que de l'air s'échappant par le tuyau lorsque l'eau commence à s'écouler. Ne pas fumer et ne pas utiliser de flamme nue près du robinet lorsqu'il est ouvert.

D. NETTOYAGE DU FILTRE

L'obstruction partielle du filtre de l'évaporateur entraîne une réduction des performances du produit. Il est donc recommandé de nettoyer le filtre au moins une fois par an afin de le débarrasser de toute poussière ou obstruction.

Le filtre peut être extrait à l'aide de la pince appropriée au-dessus des boîtiers. Nettoyer le filtre avec de l'eau et du savon doux.

Vérifier que le terminal externe du conduit d'évacuation de l'air et le conduit lui-même ne sont pas obstrués ou détériorés.

S'assurer que l'eau de condensation s'écoule vers un drain approprié et que l'évacuation n'est pas empêchée.

Vérifier et nettoyer les tuyaux de vidange, les volets et les grilles.

E. NETTOYAGE DES TUBES D'ÉVACUATION DES CONDENSATS

Si le tuyau de vidange du condensat se bouche, de l'eau se répandra à l'extérieur de l'appareil.

Inspecter périodiquement les conduites de vidange et éliminer tout débris qui pourrait s'être accumulé dans les conduites.

PARTIE 5 – LISTE DE CONTRÔLE DE L'INSTALLATION

- 1. Emplacement du réservoir :
La taille de la pièce est-elle inférieure à 10' x 10' x 7' (700 pi³) ? Si oui, une porte à claire-voie ou une ventilation similaire est nécessaire.
L'avant de l'appareil est-il dégagé de tout obstacle ?
Le chauffe-eau est-il au niveau ? Dans le cas contraire, ajouter des cales sous la base de l'appareil.
Un bac de récupération est-il installé pour éviter d'endommager la zone environnante en cas de fuite du chauffe-eau ?
- 2. Raccordements de plomberie :
Les raccords de plomberie permettent-ils le retrait du filtre à air ?
Le réservoir et tous les raccords de plomberie associés sont-ils exempts de fuites ?
- 3. Les conduites de condensat sont en place :
Raccorder la sortie de l'évacuation des condensats à une pompe à condensats ou directement à un siphon de sol
- 4. La vanne de décharge de température et de pression fonctionne et les conduites de vidange sont terminées conformément aux réglementations locales.
- 5. Les connexions électriques permettent de retirer le filtre à air.
- 6. Vérifier que le contrôle affiche 120 °F en mode Confort.
- 7. Le couvercle avant est en place.

PARTIE 6 – MISE EN MARCHÉ : À QUOI S'ATTENDRE

Une fois que le chauffe-eau a été installé et que tous les raccordements électriques et hydrauliques ont été vérifiés, remplir l'appareil d'eau. Pendant le remplissage, purger le réservoir en ouvrant un robinet d'eau chaude quelque part dans la maison (de préférence au niveau de l'évier de la cuisine). Lorsque l'eau s'écoule librement, le réservoir est plein.

Une fois le réservoir plein, mettre le chauffe-eau sous tension. Appuyer sur le bouton POWER de l'interface utilisateur pour allumer le chauffe-eau. Une fois sous tension, la commande affichera un rappel pour s'assurer que le chauffe-eau est plein. Appuyer à nouveau sur POWER pour confirmer que le chauffe-eau est plein.

0 min à 6,5 min préventilation uniquement ventilateur ON.

REMARQUE : la plage de fonctionnement ambiante de la pompe à chaleur est de 35 °F à 120 °F. Si la température ambiante est en dehors de cette plage, la pompe à chaleur ne pourra pas fonctionner et les éléments électriques de secours fonctionneront jusqu'à ce que la température ambiante revienne à la plage de fonctionnement.

PARTIE 7 – LISTE DE CONTRÔLE DE L'ENTRETIEN ET CODES D'ERREUR



ATTENTION !

Avant d'intervenir en suivant les recommandations ci-dessous, vérifier la connexion électrique correcte des composants à la carte mère et les positions correctes des capteurs NTC dans leurs sièges.

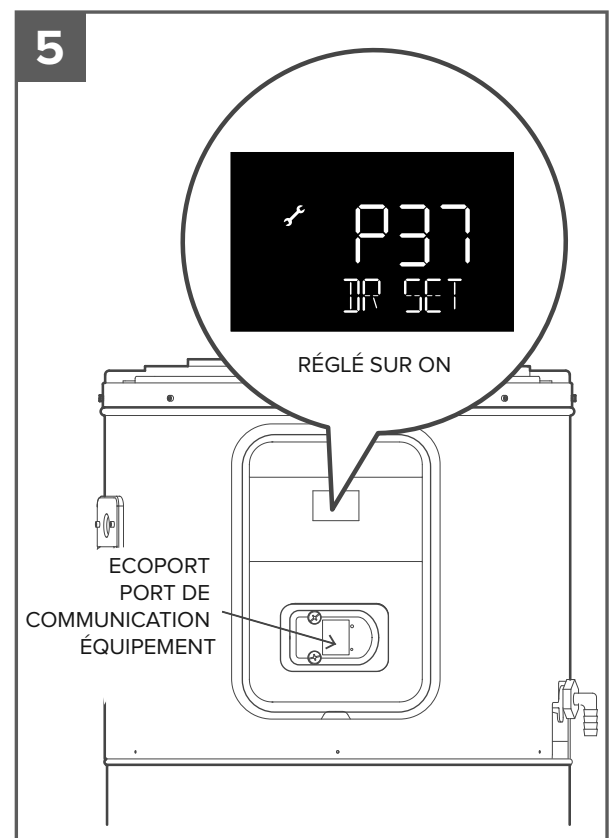
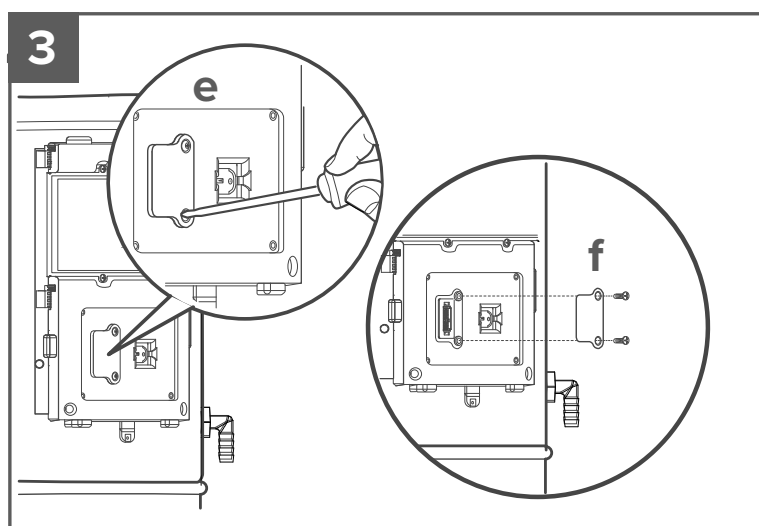
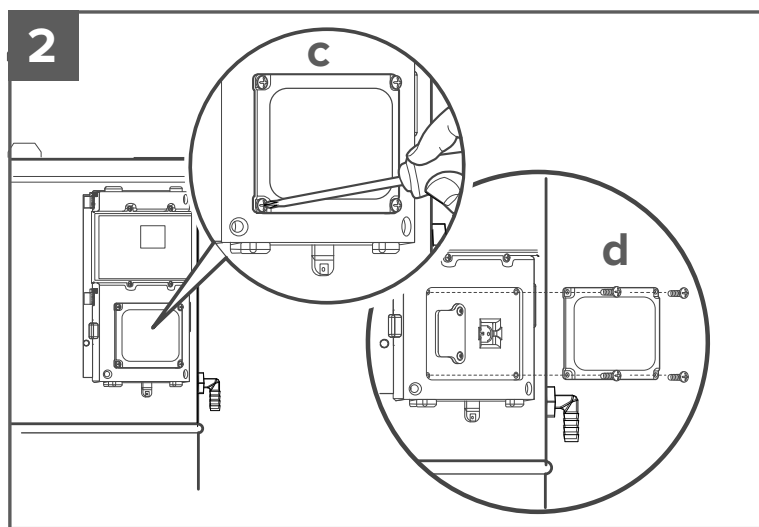
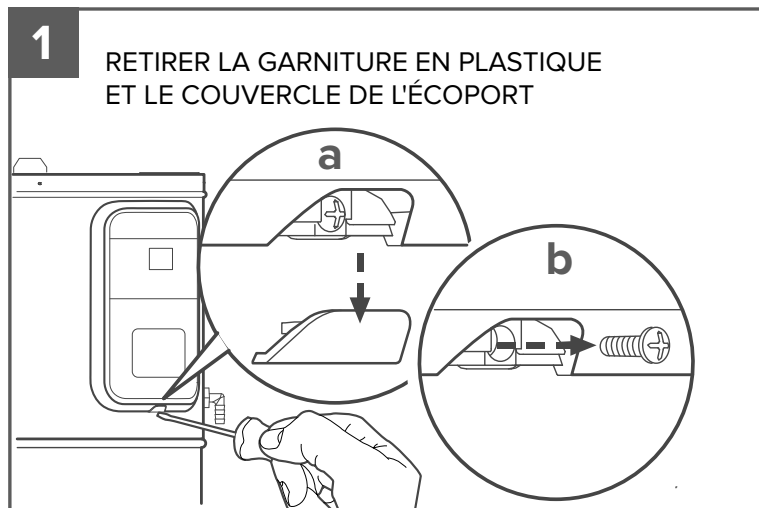
Code d'erreur	Cause	Fonctionnement de l'élément chauffant	Fonctionnement pompe à chaleur	Comment agir
007	Condenseur NTC : circuit ouvert ou court-circuit	ON	OFF	Vérifier que le condensateur NTC fonctionne correctement
008	Évacuation NTC (sortie du compresseur) : circuit ouvert ou court-circuit	ON	OFF	Vérifier que l'évacuation NTC fonctionne correctement
009	NTC Air : circuit ouvert ou court-circuit	ON	OFF	Vérifier que NTC air fonctionne correctement
010	NTC Evap : circuit ouvert ou court-circuit	ON	OFF	Vérifier le bon fonctionnement de NTC Evap.
012	NTC Suction (entrée du compresseur) : circuit ouvert ou court-circuit	ON	OFF	Vérifier le bon fonctionnement NTC Suction.
013	Capteur de tuyau de vidange non connecté	ON	OFF	Aucun paramètre de menu uniquement avec dfls par installation.
021	Fuite de gaz	ON	OFF	Vérifier le bon fonctionnement du capteur d'entrée du compresseur. Si l'erreur persiste, récupérer le gaz résiduel ; trouver la fuite dans le circuit de refroidissement ; le réparer ; faire le vide et recharger le circuit avec 950 g de gaz réfrigérant.
032	Problème de compresseur	ON	OFF	Vérifier la tension électrique au connecteur du compresseur
042	Évaporateur obstrué	ON	OFF	Mettre l'appareil à l'arrêt. Vérifier que l'évaporateur, la grille de l'enceinte et/ou le filtre à air ne sont pas obstrués.
044	Problème de ventilateur	ON	OFF	Vérifier la tension électrique au connecteur du ventilateur. Contrôler que le capteur à l'entrée du compresseur fonctionne correctement.
048	Haute pression	ON	OFF	Vérifier le câblage du pressostat. Vérifier la quantité de gaz.
049	Eau détectée sur le tuyau de vidange	ON	OFF	Aucun paramètre de menu uniquement avec dfls par installation.
051	Pressostat	ON	OFF	Vérifier le câblage du pressostat. Vérifier la quantité de gaz.
218	Capteur NTC dôme (eau chaude) : circuit ouvert ou court-circuit	ON	OFF	Vérifier que le capteur NTC (eau chaude) fonctionne correctement.
230	Capteur de température d'eau (zone de l'élément chauffant) : circuit ouvert ou court-circuit	OFF	OFF	Vérifier que le câblage du capteur est correctement monté sur le connecteur correspondant du tableau principal. Vérifier que le capteur fonctionne correctement.
231	Capteur de température d'eau (zone de l'élément chauffant) : intervention de sécurité (1er niveau).	OFF	OFF	Vérifier que le capteur fonctionne correctement.
232	Capteur de température d'eau (zone de l'élément chauffant) : intervention de sécurité (2e niveau).	OFF	OFF	Vérifier que le capteur fonctionne correctement.
233	Relais bloqué	OFF	OFF	Réinitialiser l'appareil en appuyant deux fois sur le bouton ON/OFF. Si l'erreur persiste, remplacer la carte mère.
241	Anode de courant imprimé : circuit ouvert	OFF	OFF	Vérifier la présence d'eau dans le produit. Si l'erreur persiste, vérifier le bon fonctionnement de l'anode. Vérifier le bon assemblage du câblage de l'anode sur le connecteur de la carte mère connexe. Si l'erreur persiste, remplacer la carte mère.
242	Capteur de fuite non connecté	OFF	OFF	Aucun paramètre de menu uniquement avec dfls par installation.
243	Fuite d'eau détectée	OFF	OFF	Aucun paramètre de menu uniquement avec dfls par installation.
244	Retour vanne d'arrêt (ouverte ou fermée)	OFF	OFF	Paramètre de menu (vanne d'arrêt).
321	Données corrompues	OFF	OFF	Réinitialiser le produit en appuyant deux fois sur le bouton ON / OFF. Si l'erreur persiste, remplacer la carte mère.
331 332	Communication manquante entre la carte mère et le HMI.	OFF	OFF	Réinitialiser le produit en appuyant deux fois sur le bouton ON/OFF. Si l'erreur persiste, remplacer le câblage de communication entre la carte mère et l'écran.
333	Communication interrompue entre la carte mère et la carte Wi-Fi	ON	ON	Si le WIFI est présent : - Vérifier les câbles entre la carte mère et l'IHM. - Si l'erreur persiste, remplacer le module IHM. Si le WIFI n'est pas présent : - Entrer dans le menu installateur et régler P31 sur OFF. - Si l'erreur se reproduit, remplacer la carte mère.
336	Dysfonctionnement de l'écran tactile	ON	ON	Réinitialiser le produit en appuyant deux fois sur le bouton ON / OFF. Si l'erreur persiste, remplacer le HMI.
338	Pas de communication avec le module CTA2045	ON	ON	paramètre de menu (DR enable).

Afin de réinitialiser les erreurs, ÉTEINDRE et allumer le produit dans les 10 secondes, à l'aide du bouton ON/OFF.

DÉPANNAGE

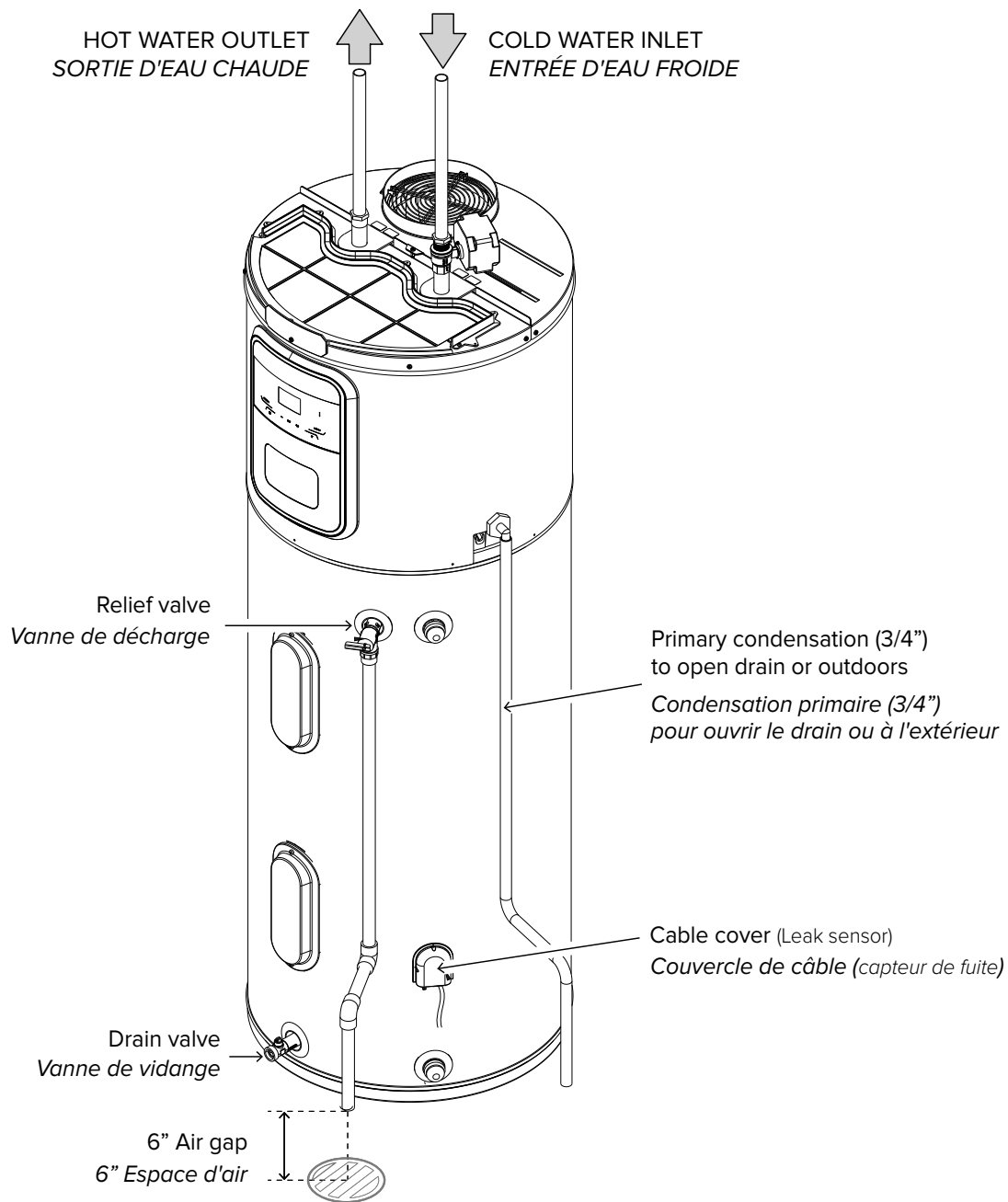
PROBLÈME	CAUSE POSSIBLE	COMMENT AGIR
L'eau en sortie est froide ou pas assez chaude	Basse température programmée	Augmenter la température de consigne de l'eau en sortie
	Erreurs de fonctionnement de l'appareil	Vérifier la présence d'erreurs sur l'écran et suivre ce qui est indiqué sur le tableau « Erreurs »
	Absence de connexion électrique, câblages débranchés ou endommagés	Vérifier la tension sur les bornes, vérifier l'intégrité et le raccordement des câblages
	Absence de signal HC/HP (si le produit est installé avec le câble de signal EDF)	Pour vérifier le fonctionnement du produit lancer le mode « Boost », dans l'affirmative vérifier la présence du signal HC/HP du compteur, s'assurer du bon état du câblage EDF
	Dysfonctionnement de la minuterie pour le tarif bi-horaire (si le produit est installé avec cette configuration)	Vérifier le fonctionnement du compteur jour/nuit et s'assurer que l'horaire réglé suffit au chauffage de l'eau
	Flux d'air insuffisant vers l'évaporateur	Procéder à un nettoyage régulier des grilles et des canalisations
	Le produit est sur OFF	Vérifier l'alimentation électrique. Allumer le produit.
	Utilisation d'une quantité importante d'eau chaude lorsque le produit est en phase de chauffage	
	Erreur de capteur	Vérifier les erreurs NTC, même occasionnelles.
L'eau est bouillante (avec éventuellement de la vapeur sur les robinets)	Niveau élevé d'accumulation de calcaire dans le chauffe-eau et ses composants	Débrancher l'alimentation électrique, vider l'appareil, retirer la gaine du corps de chauffe et nettoyer le calcaire à l'intérieur du chauffe-eau, en veillant à ne pas endommager l'émail du chauffe-eau et la gaine du corps de chauffe. Remonter le produit dans sa configuration d'origine. Il est recommandé de remplacer le joint de la bride.
	Erreur de capteur	Vérifier les erreurs NTC, même occasionnelles.
Fonctionnement réduit de la pompe à chaleur, fonctionnement quasi permanent de la résistance électrique.	Installation effectuée avec une tension électrique non conforme (trop faible).	Alimenter le produit avec une tension correcte.
	Évaporateur obstrué ou gelé.	Vérifier l'état de propreté de l'évaporateur.
	Problèmes au niveau du circuit de la pompe à chaleur.	Vérifier l'affichage des messages d'erreur.
	8 jours ne se sont pas encore écoulés depuis : - Première mise en service - Changement du paramètre Time W. - Défaut d'alimentation.	Attendre 8 jours.
Débit d'eau chaude insuffisant	Fuite ou obstruction du circuit d'eau	Vérifier l'étanchéité du circuit, l'état du déflecteur sur le tuyau d'arrivée d'eau froide et l'intégrité du tuyau d'arrivée d'eau chaude.
Fuite d'eau du dispositif de sécurité sous pression	Il est normal que de l'eau s'égoutte de l'appareil pendant la phase de chauffage	Pour éviter que l'eau ne coule, un vase d'expansion doit être installé sur le système de distribution. Si la fuite persiste même après la phase de chauffage, vérifier le calibrage de l'appareil et la pression de l'eau du réseau. Avertissement : ne jamais obstruer la sortie de décharge de l'appareil !
Augmentation du bruit	Présence d'éléments qui bouchent à l'intérieur.	Vérifier les composants mobiles de l'unité, nettoyer le ventilateur et les autres organes qui peuvent générer du bruit
	Vibration de certains éléments.	Vérifier les composants raccordés par des serrages mobiles. S'assurer que les vis sont bien serrées.
	Réglage de la température élevée	Le bruit du compresseur peut augmenter progressivement pour les réglages de température supérieurs à 125 °F. Température de consigne plus basse dans le cas où le niveau de bruit n'est pas considéré comme acceptable.
Problèmes d'affichage ou extinction de l'afficheur	Panne ou problèmes de connexion électrique entre la carte mère et l'interface PCB	Contrôler l'état de connexion et contrôler le bon fonctionnement des cartes électroniques.
	Défaut d'alimentation.	Vérifier la présence d'alimentation.
Mauvaise odeur provenant du produit	Pas de siphon ou siphon vide.	Installer un siphon. Veiller à ce qu'il contienne la quantité d'eau nécessaire.
Consommation anormale ou plus excessive que prévue	Fuite ou obstruction partielle du circuit du gaz réfrigérant.	Démarrer le produit en mode pompe à chaleur, utiliser un détecteur de fuites pour le gaz concerné pour s'assurer qu'il n'y a pas de fuites.
	Conditions environnementales ou d'installation défavorables	
	Évaporateur partiellement bouché.	Vérifier l'état de propreté de l'évaporateur, des grilles et des conduits
	Installation non conforme.	
Autres		Contactez le service technique.

PARTIE 9 – INSTALLATION DU MODULE ECOPORT (activé uniquement si présent)

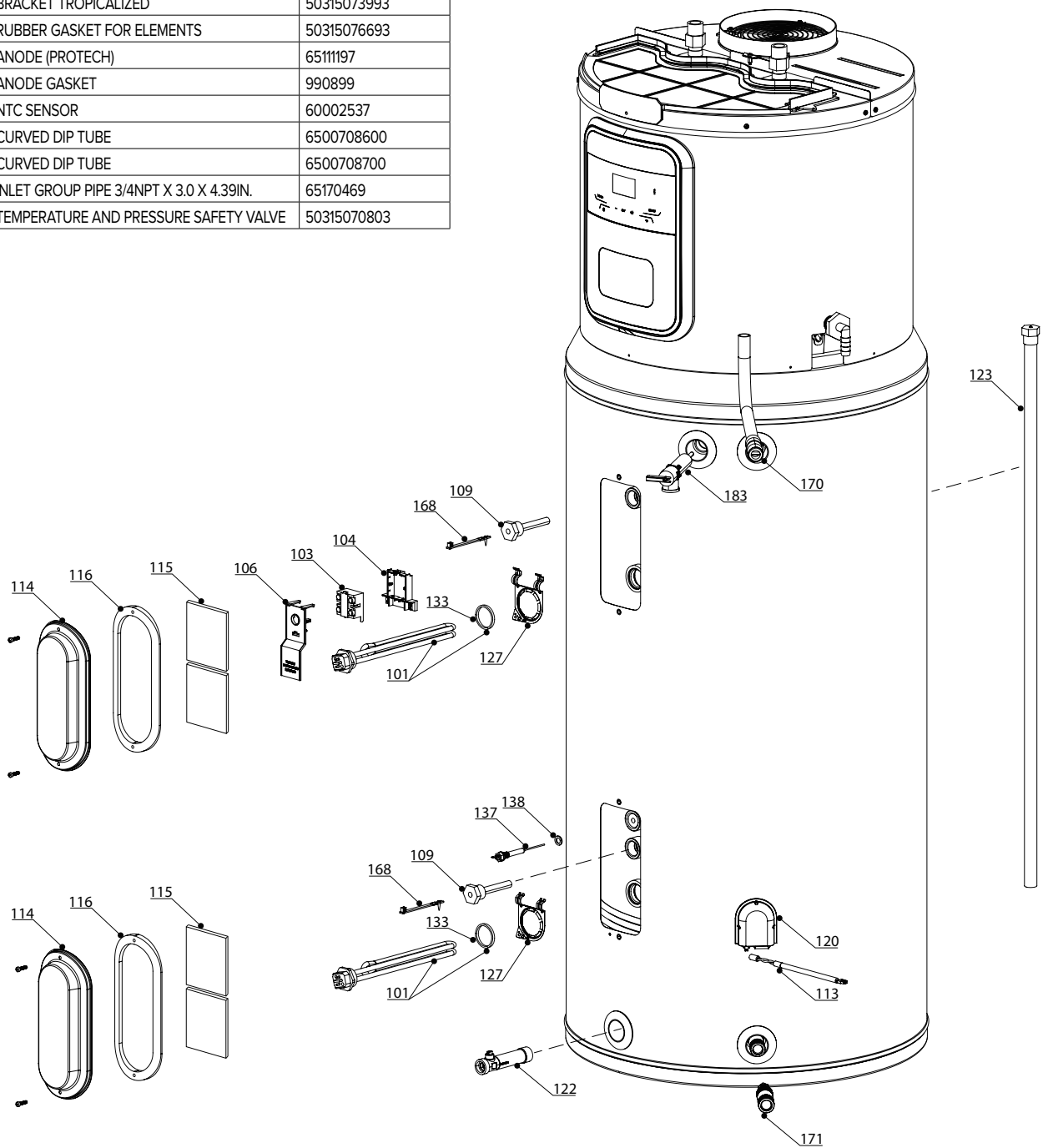


INSTALLATION: TOP CONNECTIONS

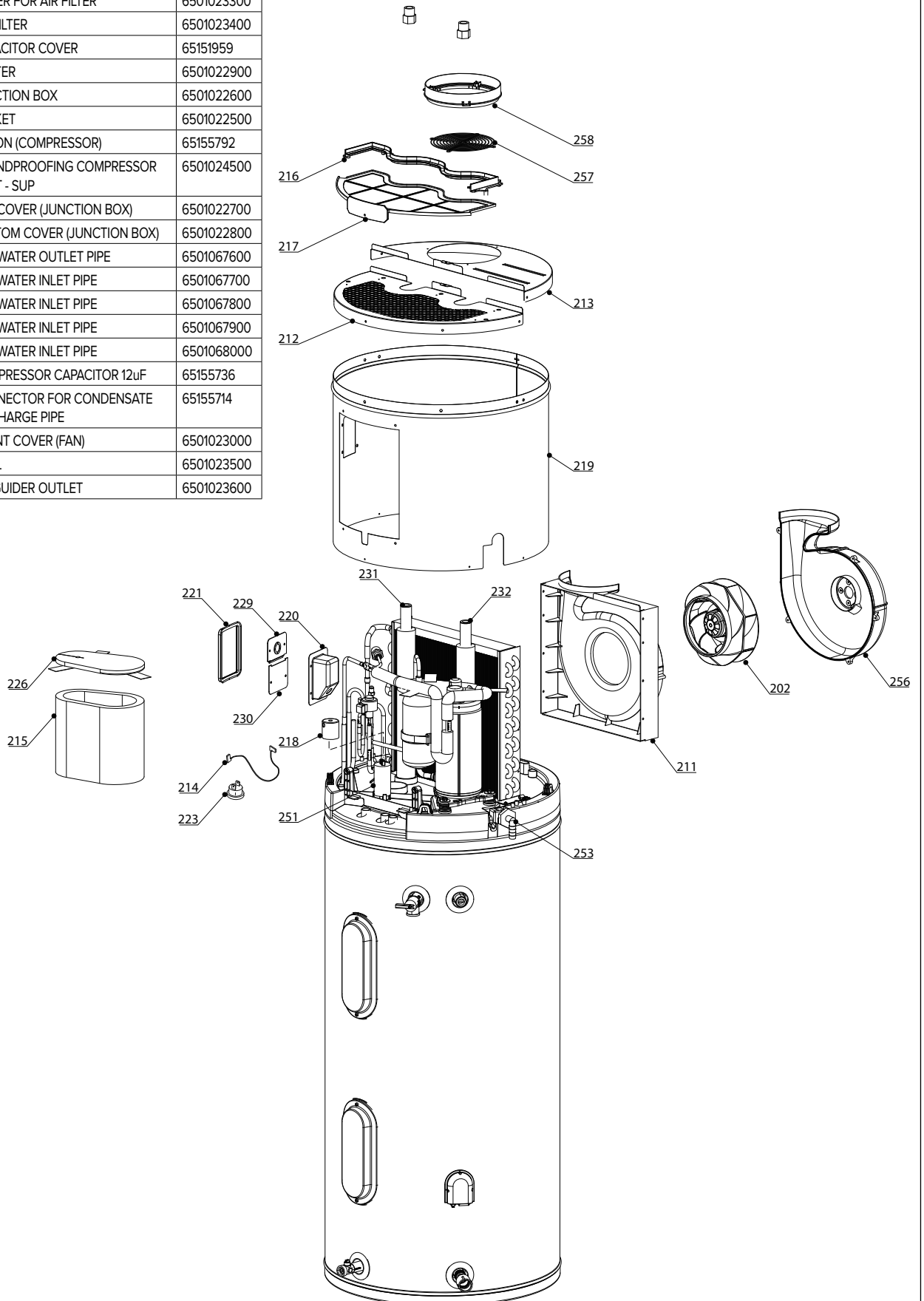
INSTALLATION : RACCORDEMENTS PAR LE HAUT



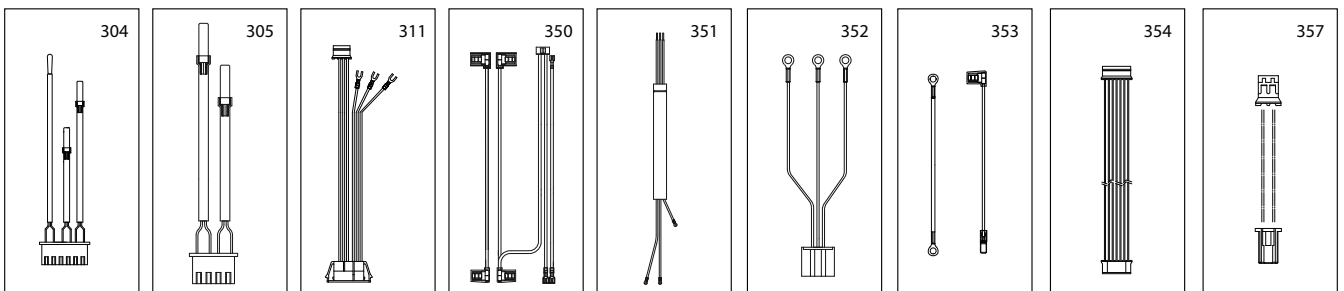
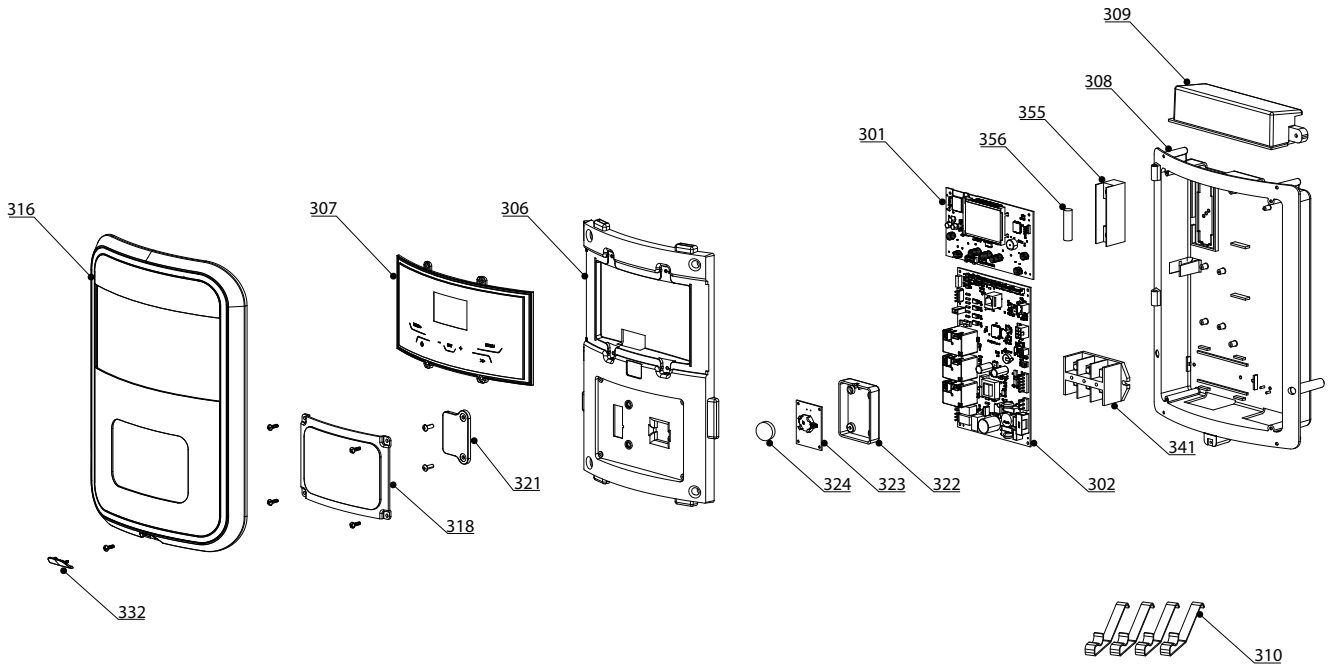
0101	HEATING ELEMENT 208/240/277V 3.5/4.5/6KW	65170246
0103	THERMOSTAT	65170379
0104	THERMOSTAT FRAME	65170383
0106	THERMOSTAT COVER	65170382
0109	SHEATH	65170380
0112	KIT HARNESSES (TANK)	6501029200
	KIT HARNESSES (TANK)	6501029300
	KIT HARNESSES (TANK)	6501029400
	KIT HARNESSES (TANK)	6501029500
0113	CABLE SENSOR LEAKAGE	6500984200
0114	METALLIC COVER	65170397
0115	CERAMIC FIBER	65170467
0116	GASKET	6500884700
0120	COVER	65170389
0122	DRAIN VALVE	6500708800
0123	ANODE (MAGNESIUM) 0.84 X 27.125	50315076763
	ANODE (MAGNESIUM) 0.9 X 50.70	65170468
	MAGNESIUM ANODE ROD 0.84 X 39	50315072903
0127	BRACKET TROPICALIZED	50315073993
0133	RUBBER GASKET FOR ELEMENTS	50315076693
0137	ANODE (PROTECH)	65111197
0138	ANODE GASKET	990899
0168	NTC SENSOR	60002537
0170	CURVED DIP TUBE	6500708600
	CURVED DIP TUBE	6500708700
0171	INLET GROUP PIPE 3/4NPT X 3.0 X 4.39IN.	65170469
0183	TEMPERATURE AND PRESSURE SAFETY VALVE	50315070803



0202	FAN	6501023200
0211	REAR COVER (FAN)	6501023100
0212	TOP COVER FRONT	6501023700
0213	TOP COVER REAR	6501023800
0214	COMPRESSOR PROTECTOR WIRE	65151400
0215	SOUNDPROOFING COMPRESSOR COAT	6501024400
0216	COVER FOR AIR FILTER	6501023300
0217	AIR FILTER	6501023400
0218	CAPACITOR COVER	65151959
0219	CARTER	6501022900
0220	JUNCTION BOX	6501022600
0221	GASKET	6501022500
0223	KLIXON (COMPRESSOR)	65155792
0226	SOUNDPROOFING COMPRESSOR COAT - SUP	6501024500
0229	TOP COVER (JUNCTION BOX)	6501022700
0230	BOTTOM COVER (JUNCTION BOX)	6501022800
0231	TOP WATER OUTLET PIPE	6501067600
0232	TOP WATER INLET PIPE	6501067700
	TOP WATER INLET PIPE	6501067800
	TOP WATER INLET PIPE	6501067900
	TOP WATER INLET PIPE	6501068000
0251	COMPRESSOR CAPACITOR 12uF	65155736
0253	CONNECTOR FOR CONDENSATE DISCHARGE PIPE	65155714
0256	FRONT COVER (FAN)	6501023000
0257	GRILL	6501023500
0258	AIR GUIDER OUTLET	6501023600



0301	CONTROL BOARD	65155840
0302	P.C.B. (MAIN)	6500747000
0304	AIR EVAPORATOR GAS PROBE	6501024800
0305	TEMPERATURE SENSOR HIGH PRESSURE	6501024900
0306	ELECTRIC BOX - FRONT	65155993
0307	DISPLAY HOLDER	6501022400
0308	ELECTRIC BOX - REAR	6501023900
0309	TOP COVER ELECTRIC BOX	6501024000
0310	PROBE CLIP	65115989
0311	WIRING CTA-2045	65155718
0316	FRAME	65155719
0318	BOTTOM COVER	65155750
0321	PLASTIC COVER (CTA-2045 CONNECTOR)	65155990
0322	COVER (BATTERY)	65155992
0323	BATTERY BOARD	65155991
0324	BATTERY	65155994
0332	SCREW COVER	65155738
0341	TERMINAL BLOCK	6501024300
0350	COMPRESSOR WIRING	6501024600
0351	CABLE (POWER SUPPLY)	6501024700
0352	POWER SUPPLY CABLE (MAIN P.C.B.)	6501025000
0353	EARTH CABLE COMPRESSOR	65155734
0354	WIRING (DISPLAY)	65155751
0355	12IE HOLDER	6501024100
0356	FUSE	6501024200
0357	WIRING (BATTERY-MAIN P.C.B.)	65155996



Calentadores de América S.A. de C.V.
Blvd. Isidro Lopez Zertuche #1839 Col.
Universidad CP 25260 Saltillo, Coahuila, México