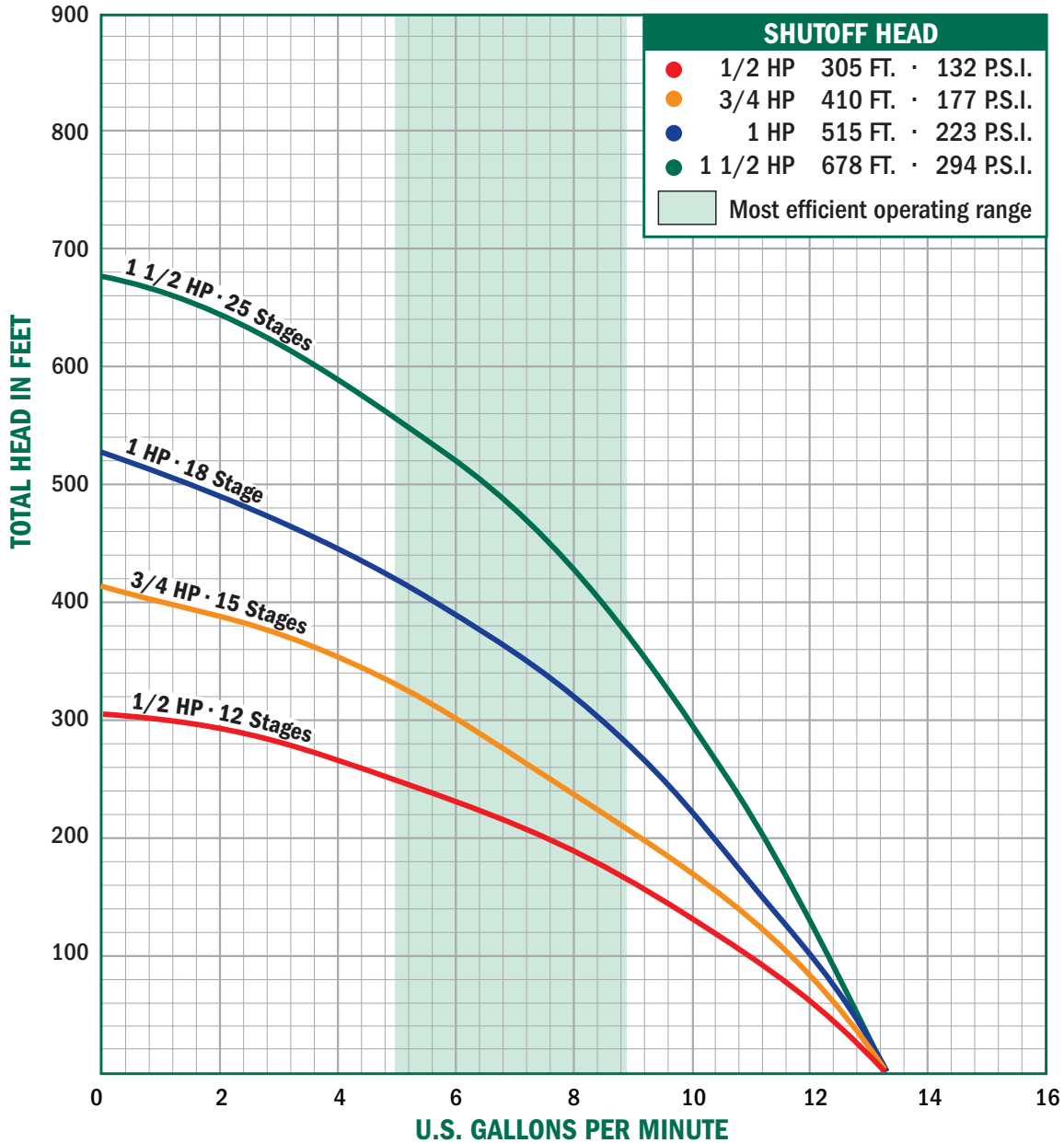


SUBMITTAL DATA SHEET

22000 Series 4" Thermoplastic Submersible Pumps V Series - 7 GPM



Sizes range from 1/2 to 1 1/2 HP. All V Series pumps have 1 1/4" discharge with internal check valve. Two or three wire models up to 1 1/2 HP.



NO-LEAD: The weighted average of the wetted surface of this no-lead product contacted by consumable water contains less than one quarter of one percent (0.25%) lead.



A.Y. McDonald Mfg. Co.
P.O. Box 508
Dubuque, IA 52004-0508

Toll Free: 1-800-292-2737
Fax: 1-800-832-9296
Hours: 7:00 a.m. - 5:00 p.m., CST

sales@aymcdonald.com
www.aymcdonald.com

A.Y. McDonald considers the information on this assembly drawing correct when published. Item and option availability, including specifications, are subject to change without notice.

Submitted by:

SUBMITTAL DATA SHEET

22000 Series 4" Thermoplastic Submersible Pumps V Series - 7 GPM



Sizes range from 1/2 to 1 1/2 HP. All V Series pumps have 1 1/4" discharge with internal check valve. Two or three wire models up to 1 1/2 HP.

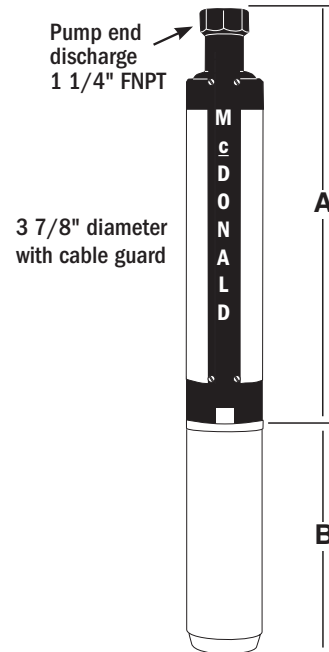
Models Available

Two Wire Single Phase

Model No.	HP	Stages	Volt	Phase	A	B	Wt.
22050V2A	1/2	12	115	1	16.4"	9.53"	25
22050V2	1/2	12	230	1	16.4"	9.53"	24
22075V2	3/4	15	230	1	18.7"	10.66"	28
22100V2	1	18	230	1	21.1"	11.75"	31
22150V2	1 1/2	25	230	1	27.9"	15.12"	42

Three Wire Single Phase

Model No.	HP	Stages	Volt	Phase	A	B	Wt.
22050V3A	1/2	12	115	1	16.4"	9.53"	25
22050V3	1/2	12	230	1	16.4"	9.53"	25
22075V3	3/4	15	230	1	18.7"	10.66"	28
22100V3	1	18	230	1	21.1"	11.75"	32
22150V3	1 1/2	25	230	1	27.9"	13.62"	40



Output - in Gallons Per Minute (Depth to Water)

HP	PSI	25'	50'	75'	100'	125'	150'	175'	200'	225'	250'	275'								
		1/2	0	12.7	12.2	11.5	11.0	10.0	9.3	8.5	7.5	6.0	5.2	3.2						
1/2	30	11.1	10.2	9.4	8.6	7.7	6.1	5.3	3.5	2.0										
	50	9.7	8.7	7.7	6.2	5.3	3.8	2.1												
	3/4	0	12.8	12.3	12.0	11.5	11.0	10.5	10.0	9.3	8.5	7.7	7.0	6.0	5.1	4.2	2.5			
3/4	30	11.7	11.2	10.7	10.2	9.4	8.7	7.8	7.1	6.1	4.7	3.8	3.0	2.0						
	50	10.8	10.3	9.6	8.8	7.9	7.3	6.2	4.8	3.9	2.9	2.1								
	1	0	13.0	12.7	12.3	12.0	11.5	11.3	11.0	10.5	9.8	9.5	9.0	8.5	7.7	7.0	6.5	5.5	4.5	4.0
1	30	12.2	11.7	11.5	11.2	10.7	10.0	9.7	9.2	8.7	7.8	7.2	6.7	5.7	4.6	4.1	3.3	1.9		
	50	11.7	11.3	10.8	10.1	9.8	9.3	8.8	7.9	7.3	6.8	5.7	4.8	4.3	3.4	2.0				
	1 1/2	0	13.2	12.3	11.7	11.3	10.7	10.0	9.3	8.5	7.5	6.7	5.5	4.2	3.2					
1 1/2	30	12.2	11.5	11.2	10.5	9.8	9.2	8.3	7.3	6.5	5.3	3.9	3.0							
	50	11.5	11.2	10.5	9.8	9.2	8.3	7.3	6.5	5.3	4.0	1.1								

FRICITION LOSSES IN RISER PIPE HAVE NOT BEEN CALCULATED

NO-LEAD: The weighted average of the wetted surface of this no-lead product contacted by consumable water contains less than one quarter of one percent (0.25%) lead.



A.Y. McDonald Mfg. Co.
P.O. Box 508
Dubuque, IA 52004-0508

Toll Free: 1-800-292-2737
Fax: 1-800-832-9296
Hours: 7:00 a.m. - 5:00 p.m., CST

sales@aymcdonald.com
www.aymcdonald.com

A.Y. McDonald considers the information on this assembly drawing correct when published. Item and option availability, including specifications, are subject to change without notice.

Submitted by: