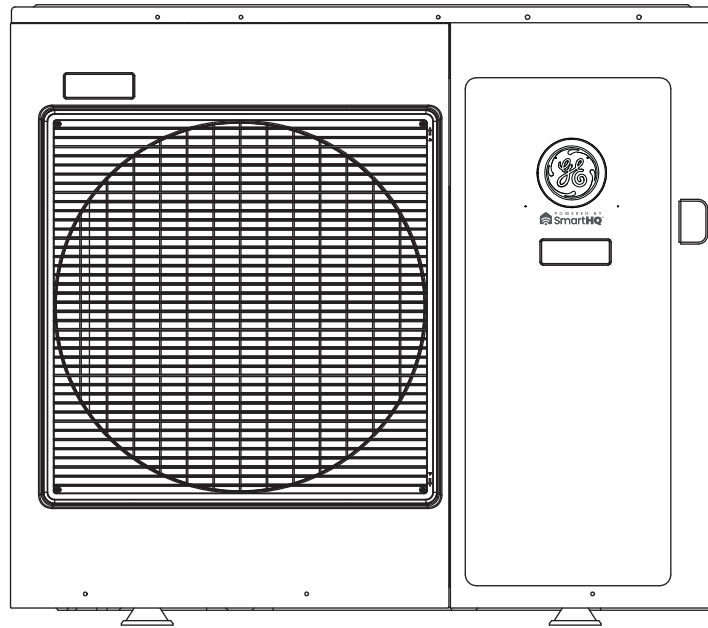




**GE APPLIANCES**

# Installation Instructions

## Ductless Multi Zone Outdoor Unit



*Design may vary by model number.  
This installation manual is only  
printed in English and French. For  
Spanish version, please visit  
[GEAppliancesairandwater.com](http://GEAppliancesairandwater.com)*

*L'aspect peut varier selon le numéro de modèle.  
Ce manuel d'installation est uniquement  
imprimé en anglais et français. Pour la version  
espagnole, visitez le site  
[GEAppliancesairandwater.com](http://GEAppliancesairandwater.com)*

*El diseño puede variar según el número de model.  
Este manual de instalación sólo fue impreso en  
inglés y francés. Para acceder a la versión en  
español, por favor visite  
[GEAppliancesairandwater.com](http://GEAppliancesairandwater.com)*

# Table of Contents

|   |    |
|---|----|
| PACKAGE CONTENTS . . . . .                                    | 2  |
| OPERATING RANGE . . . . .                                     | 3  |
| IMPORTANT SAFETY INFORMATION . . . . .                        | 4  |
| REQUIREMENTS FOR OPERATION . . . . .                          | 7  |
| INSTALLATION INSTRUCTIONS . . . . .                           | 13 |
| Step 1 - Outdoor Environment Checks and Preparation . . . . . | 24 |
| Step 2 - Installation of Indoor Unit . . . . .                | 25 |
| Step 3 - Installation of Outdoor Unit . . . . .               | 26 |
| Step 4 - Final Check . . . . .                                | 33 |
| LIMITED WARRANTY . . . . .                                    | 35 |

## Record Keeping

Thank you for purchasing GE Appliances product. This installation manual will help you get the best performance from your new unit.

For future reference, record the model and serial number located on the label on the side of your unit, and the date of purchase.

Staple your proof of purchase to this manual to aid in obtaining warranty service if needed.

To register your new GE Appliances Duct Free system go to [GEAppliances.com/ductless](http://GEAppliances.com/ductless) and input the model/serial number information on this page.

Model number \_\_\_\_\_

Serial number \_\_\_\_\_

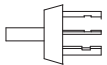


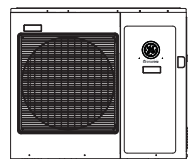
Date of purchase \_\_\_\_\_



This manual contains installation instructions for multi outdoor unit only.  
For indoor unit installation, please refer to indoor unit installation manual.

## Package Contents

### Included Items

| No. | Part  | Name of Parts  | Quantity (Most Models) | Quantity (5G42ED2B** models) |
|-----|---|----------------|------------------------|------------------------------|
| 1   |  | Drainage elbow | 2                      | 4                            |
| 2   |  | Rubber cushion | 4                      | 4                            |
| 3   |  | Clamp          | 3                      | 4                            |
| 4   |  | ODU            | 1                      | 1                            |

# Operating Range

---

The following information lists the operating range specific to each model.

**2G18AD2B\*\* / 3G24AD2B\*\* /  
4G36AD2B\*\***

Cooling: 14°F to 115°F

Heating: -4°F to 75°F

**2G20ED2B\*\* / 3G24ED2B\*\* / 4G36ED2B\*\* /  
5G42ED2B\*\***

Cooling: 14°F to 115°F

Heating: -15°F to 75°F

## NOTES:

- The unit will stop running when outdoor temperature drops below -22°F (-30°C). The unit will resume operation automatically when the temperature rises above the low temperature limit. Error code “Lo” will display on outdoor diagnostic display
- To achieve most efficient operation, operate the indoor unit with fan speed in Auto mode. In Cooling mode, use a set temperature of 78°F (25.5°C) or higher. In Heating mode, use a set temperature of 73°F (22.5°C) or lower.
- It is recommended to have a secondary heating source(s) available in case the temperature drops below the operating range.

# Important Safety Information

**⚠ WARNING** For your safety; the information in this manual must be followed to minimize the risk of fire, electric shock, or personal injury.

- Use this equipment only for its intended purpose as described in this manual.
- This heat pump must be properly installed in accordance with these instructions before it is used.
- All wiring should be rated for the amperage value listed on the rating plate. Use only copper wiring.
- All electrical work must be completed by a qualified electrician and completed in accordance with local and national building codes.

**For any service which requires entry into the refrigerant sealed system, Federal regulations require that the work is performed by a technician having a Class II or Universal certification.**

- All air conditioners contain refrigerants, which under federal and/or local law must be removed prior to product disposal. If you are getting rid of an old product with refrigerants, check with the company handling disposal.
- These R454B heat pumps systems require that contractors and technicians use tools, equipment and safety standards approved for use with this refrigerant.
- DO NOT use equipment certified for R22, R32 or R410A refrigerant only.

**⚠ WARNING RISK OF ELECTRIC SHOCK. Could cause injury or death.**

- An adequate ground is essential before connecting the power supply or charging with refrigerant.
- Disconnect all connected electric power supplies before servicing.
- Aluminum building wiring may present special problems - consult a qualified electrician.
- The surrounding conditions (ambient temperature, direct sunlight, and rainwater) shall be noticed during electrical wiring, with effective protective measures being taken.
- The dedicated branch circuit must be used, and leakage protector with sufficient capacity must be installed.
- Repair or replace immediately all electrical wiring that has become frayed or otherwise damaged. Do not use wiring that shows cracks or abrasion damage along its length or at either end.
- When the unit is in the STOP position, there is still voltage to the electrical controls.
- Copper wire cable in line with local standards shall be used as the power line and connector wire.
- Both the indoor unit and outdoor unit shall be reliably earthed.
- Wiring for the outdoor unit shall be made first and then the indoor unit. The air conditioner can only be powered on after wiring and pipe connection.

**⚠ WARNING RISK OF FIRE. Could cause injury or death.**

- Do not store or use combustible materials, gasoline or other flammable vapors or liquids in the vicinity of this or any other appliance.

**⚠ CAUTION**

- Please do not use extension cords in this system.
- Aluminum building wiring may have special problems, please consult a licensed electrician.
- If the unit has the leak detection system installed, the unit must be powered except for service.

## READ AND SAVE THESE INSTRUCTIONS

# Important Safety Information

For more help, visit [geappliancesairandwater.com](http://geappliancesairandwater.com) or call the technical support line at 1.844.487.9443

## BEFORE YOU BEGIN

Read these instructions completely and carefully.

- **IMPORTANT** — Save these instructions for local inspector's use.
- **IMPORTANT** — Observe all governing codes and ordinances.
- **Note to installer** – Be sure to leave these instructions with the Consumer.
- **Note to consumer** – Keep these instructions for future reference.
- **Skill level** – A licensed certified technician (to handle refrigerant, recovery, etc) and a qualified electrician are required for installation and service of this split heat pump system.
- Proper installation is the responsibility of the installer.
- Product failure due to improper installation is not covered under the limited warranty.
- For personal safety, this system must be properly grounded.
- Protective devices (fuses or circuit breakers) acceptable for installation are specified on the nameplate of each unit.
- Make sure to minimize wiring or plumbing inside the wall when installing.

### ⚠ WARNING

- This product is not intended for use by persons (including children) with reduced physical, sensory or mental capabilities, or lack of experience and knowledge, unless they have been given supervision or instruction concerning use of the appliance by a person responsible for their safety.
- Children should be supervised to ensure that they do not play with the product.
- Ensure that the unit shall be installed in accordance with local and national wiring codes.
- For the dimensions of the space necessary for correct installation of the appliance, including the minimum permissible distances to adjacent structures, refer to this document.
- Ensure only approved units are connected together and that all refrigerant line dimensions and refrigerant charging requirements are followed to prevent exceeding the maximum operating pressure.
- ONLY connect units that are labeled with the same refrigerant.
- Any damage of electrical supply must be replaced by the manufacturer, its service agent or similarly qualified persons in order to avoid a hazard.
- Means for disconnection must be incorporated in the fixed wiring in accordance with wiring rules. Disconnect ampere rating must be at least 115% of the Minimum Circuit Ampacity listed on the rating plate for this product. Disconnect must be installed within sight and readily accessible. Refer to local and national electric code for any additional requirements specified in your region of install.

### Safety Awareness

1. **Procedures:** Operation shall be made as per controlled procedures to minimize the probability of risks.
2. **Area:** Area shall be divided and isolated appropriately, and operation in an enclosed space shall be avoided. Before the refrigeration system is started or before hot working, ventilation or opening of the area shall be guaranteed.
3. **Site inspection:** The refrigerant shall be checked.
4. **Fire control:** A fire extinguisher and a "No Smoking" sign shall be placed in the installation area during installation. The installation area shall remain free from fire/ignition sources during installation.

# READ AND SAVE THESE INSTRUCTIONS

# Important Safety Information

## Unpacking Inspection

Outdoor unit: the leak detection equipment shall be extended into the packing box of the outdoor unit, to check whether the refrigerant is leaking. If the refrigerant leakage is identified, installation is not allowed, and the outdoor unit shall be delivered to the maintenance department.

## Inspection on Installation Environment

1. Inspection on the surrounding environment of place of installation: the outdoor unit of flammable refrigerants air conditioner cannot be installed inside an enclosed room reserved.
2. Power supply, switches or other high-temperature articles such as the ignition source and oil heater shall be avoided below the indoor unit.
3. The power supply shall be provided with grounding wire and be reliably grounded.
4. User shall verify in advance whether water/electricity/gas pipelines are hidden in the wall in locations that may be punctured with an electric drill. It is recommended that the through-wall holes reserved shall be used as much as possible.

## Safety Principles of Installation

1. Favorable ventilation shall be maintained at the place of installation (doors and windows are opened).
2. Open fire or high-temperature heat source (including welding, smoking and oven) higher than 548°F is not allowed within the scope of flammable refrigerant.
3. Anti-static measures shall be taken, such as the wearing of cotton clothes and cotton gloves.
4. The place of installation shall be convenient for installation or maintenance and cannot be adjacent to heat source and flammable and combustible environment.
5. In case of refrigerant leakage of the indoor unit during installation, the valve of the outdoor unit shall be closed immediately, and windows shall be opened, and all the personnel shall be evacuated. After the leakage of refrigerant is handled, the indoor environment shall be subject to concentration detection. Further handling is not allowed until the safety level is reached.
6. In case the product is damaged, it must be delivered to the maintenance point. Welding of refrigerant pipelines at the user's site is not allowed.
7. The installation position of air conditioner shall be convenient for installation or maintenance. Barriers shall be avoided around the air inlet/outlet of the indoor/outdoor unit, and the electrical appliance, power switches, sockets, valuables, and high-temperature products within the scope of both sidelines of the indoor unit shall be avoided.

## **▲ CAUTION**

- Refrigerant should be only added or removed by a licensed HVAC technician.
- Before adding additional refrigerant, perform air purging from the refrigerant pipes and indoor unit using a vacuum pump, then charge additional refrigerant.

**READ AND SAVE THESE INSTRUCTIONS**

# Requirements for Operation

## Requirements for Operation, Service and Installation of Appliances Using Flammable Refrigerants

### ⚠ WARNING

- Do not use means to accelerate the defrosting process or to clean, other than those recommended by the manufacturer.
- The appliance shall be stored in a room without continuously operating ignition sources (for example: open flames, an operating gas appliance or an operating electric heater).
- Do not pierce or burn.
- Be aware that refrigerants may not contain an odor.



Warning; Flammable Materials, Refrigerant class per ISO 817



Owner's Manual; Operating Instructions



Read Owner's Manual



Service Indicator; Read Technical Manual

### General

- During installation, due to the extended refrigerant pipes, additional **REFRIGERANT** may be charged. Please complete the **REFRIGERANT** label provided in the manual, and securely paste it near the appliance marking.
- Handling, installation, cleaning, servicing and disposal of refrigerant must comply with the local regulation and the instruction.
- Servicing shall be performed only as recommended by the manufacturer.
- Spaces where refrigerant pipes are allowed shall comply with the below requirement:
  - that piping material, pipe routing, and installation shall include protection from physical damage in operation and service, and be in compliance with national and local codes and standards, such as **ASHRAE 15, IAPMO Uniform Mechanical Code, ICC International Mechanical Code, or CSA B52**. All field joints shall be accessible for inspection prior to being covered or enclosed.
  - that the installation of pipe-work shall be kept to a minimum.
  - that mechanical connections made at joints that made in the installation between parts of the refrigerating system in shall be accessible for maintenance purposes.
  - that protection devices, piping, and fittings shall be protected as far as possible against adverse environmental effects, for example, the danger of water collecting and freezing in relief pipes or the accumulation of dirt and debris.
  - that piping in refrigeration systems shall be so designed and installed to minimize the likelihood of hydraulic shock damaging the system.
  - that precautions shall be taken to avoid excessive vibration or pulsation.

# Requirements for Operation

## Requirements for Operation, Service and Installation of Appliances Using Flammable Refrigerants

### General (cont.)

- that after completion of field piping for split systems, the field pipework shall be pressure tested with an inert gas and then vacuum tested prior to refrigerant charging, according to the following requirements:
  - The minimum test pressure for the low side of the system shall be the low side design pressure and the minimum test pressure for the high side of the system shall be the high side design pressure, unless the high side of the system, cannot be isolated from the low side of the system in which case the entire system shall be pressure tested to the low side design pressure.
  - The test pressure after removal of pressure source shall be maintained for at least 1 hour with no decrease of pressure indicated by the test gauge, with test gauge resolution not exceeding 5% of the test pressure.
  - During the evacuation test, after achieving a vacuum level specified in the manual or less, the refrigeration system shall be isolated from the vacuum pump and the pressure shall not rise above 1500 microns within 10 min. The vacuum pressure level shall be specified in the manual, and shall be the lessor of 500 microns or the value required for compliance with national and local codes and standards, which may vary between residential, commercial, and industrial buildings.
- that field-made refrigerant joints indoors shall be tightness tested according to the following requirements:  
The test method shall have a sensitivity of 5 grams per year of refrigerant or better under a pressure of at least 0.25 times the maximum allowable pressure. No leak shall be detected.

### Qualification of workers

The manual shall contain specific information about the required qualification of the working personnel for maintenance, service and repair operations. Every working procedure that affects safety means shall only be carried out by competent persons.

#### Examples for such working procedures are:

- breaking into the refrigerating circuit;
- opening of sealed components;
- opening of ventilated enclosures.

The competent persons are trained by the national training organizations or manufacturers that are accredited to teach the relevant national competency standards that may be set in legislation. The achieved competence should be documented by a certificate.

### Information on servicing

Prior to beginning work on systems containing **FLAMMABLE REFRIGERANTS**, safety checks are necessary to ensure that the risk of ignition is minimized. For repair to the **REFRIGERATING SYSTEM**, the below requirement shall be completed prior to conducting work on the system:

- Work shall be undertaken under a controlled procedure so as to minimise the risk of a flammable gas or vapor being present while the work is being performed.
- All maintenance staff and others working in the local area shall be instructed on the nature of work being carried out. Work in confined spaces shall be avoided.
- The area shall be checked with an appropriate refrigerant detector prior to and during work, to ensure the technician is aware of potentially toxic or flammable atmospheres. Ensure that the leak detection equipment being used is suitable for use with all applicable refrigerants, i. e. non-sparking, adequately sealed or intrinsically safe.
- If any hot work is to be conducted on the refrigerating equipment or any associated parts, appropriate fire extinguishing equipment shall be available to hand. Have a dry powder or CO2 fire extinguisher adjacent to the charging area.

# Requirements for Operation

## Requirements for Operation, Service and Installation of Appliances Using Flammable Refrigerants

### Information on servicing (cont.)

- No person carrying out work in relation to a REFRIGERATING SYSTEM which involves exposing any pipe work shall use any sources of ignition in such a manner that it may lead to the risk of fire or explosion. All possible ignition sources, including cigarette smoking, should be kept sufficiently far away from the site of installation, repairing, removing and disposal, during which refrigerant can possibly be released to the surrounding space. Prior to work taking place, the area around the equipment is to be surveyed to make sure that there are no flammable hazards or ignition risks. “No Smoking” signs shall be displayed.
- Ensure that the area is in the open or that it is adequately ventilated before breaking into the system or conducting any hot work. A degree of ventilation shall continue during the period that the work is carried out. The ventilation should safely disperse any released refrigerant and preferably expel it externally into the atmosphere.
- Where electrical components are being changed, they shall be fit for the purpose and to the correct specification. At all times the manufacturer’s maintenance and service guidelines shall be followed. If in doubt, consult the manufacturer’s technical department for assistance.
- The following checks shall be applied to installations using **FLAMMABLE REFRIGERANTS**:
  - marking to the equipment continues to be visible and legible. Markings and signs that are illegible shall be corrected;
  - refrigerating pipe or components are installed in a position where they are unlikely to be exposed to any substance which may corrode refrigerant containing components, unless the components are constructed of materials which are inherently resistant to being corroded or are suitably protected against being so corroded.
- Repair and maintenance to electrical components shall include initial safety checks and component inspection procedures. If a fault exists that could compromise safety, then no electrical supply shall be connected to the circuit until it is satisfactorily dealt with. If the fault cannot be corrected immediately but it is necessary to continue operation, an adequate temporary solution shall be used. This shall be reported to the owner of the equipment so all parties are advised.
- Initial safety checks shall include:
  - that capacitors are discharged: this shall be done in a safe manner to avoid possibility of sparking;
  - that no live electrical components and wiring are exposed while charging, recovering or purging the system;
  - that there is continuity of earth bonding.

### Repairs to sealed components, intrinsically safe components

- Sealed electrical components shall be replaced.
- Intrinsically safe components must be replaced.
- Replace components only with parts specified by the manufacturer. Other parts may result in the ignition of refrigerant in the atmosphere from a leak.

### Cabling

Check that cabling will not be subject to wear, corrosion, excessive pressure, vibration, sharp edges or any other adverse environmental effects. The check shall also take into account the effects of aging or continual vibration from sources such as compressors or fans.

# Requirements for Operation

## Requirements for Operation, Service and Installation of Appliances Using Flammable Refrigerants

### Detection of flammable refrigerants

- Under no circumstances shall potential sources of ignition be used in the searching for or detection of refrigerant leaks. A halide torch (or any other detector using a naked flame) shall not be used.
  - The following leak detection methods are deemed acceptable for all refrigerant systems.
    - Electronic leak detectors may be used to detect refrigerant leaks but, in the case of **FLAMMABLE REFRIGERANTS**, the sensitivity may not be adequate, or may need re-calibration. (Detection equipment shall be calibrated in a refrigerant-free area.) Ensure that the detector is not a potential source of ignition and is suitable for the refrigerant used. Leak detection equipment shall be set at a percentage of the LFL of the refrigerant and shall be calibrated to the refrigerant employed, and the appropriate percentage of gas (25 % maximum) is confirmed.
    - Leak detection fluids are also suitable for use with most refrigerants but the use of detergents containing chlorine shall be avoided as the chlorine may react with the refrigerant and corrode the copper pipe-work.
- NOTE: Examples of leak detection fluids are:**
- bubble method,
  - fluorescent method agents.
- If a leak is suspected, all naked flames shall be removed/extinguished.
  - If a leakage of refrigerant is found which requires brazing, all of the refrigerant shall be recovered from the system, or isolated (by means of shut off valves) in a part of the system remote from the leak. Removal of refrigerant shall be according to the manual.

### Removal and evacuation

- When breaking into the refrigerant circuit to make repairs – or for any other purpose – conventional procedures shall be used. However, for flammable refrigerants it is important that best practice be followed, since flammability is a consideration. The following procedure shall be adhered to:
  - a) safely remove refrigerant following local and national regulations;
  - b) purge the circuit with inert gas;
  - c) open the circuit by cutting or brazing.
- The refrigerant charge shall be recovered into the correct recovery cylinders if venting is not allowed by local and national codes. For appliances containing flammable refrigerants, the system shall be purged with oxygen-free nitrogen to render the appliance safe for flammable refrigerants. This process might need to be repeated several times.
- Compressed air or oxygen shall not be used for purging refrigerant systems.

### Charging procedures

- In addition to conventional charging procedures, the following requirements shall be followed.
- Ensure that contamination of different refrigerants does not occur when using charging equipment. Hoses or lines shall be as short as possible to minimise the amount of refrigerant contained in them.
- Cylinders shall be kept in an appropriate position according to the instructions.
- Ensure that the **REFRIGERATING SYSTEM** is earthed prior to charging the system with refrigerant.
- Label the system when charging is complete (if not already).
- Extreme care shall be taken not to overfill the **REFRIGERATING SYSTEM**.
- Prior to recharging the system, it shall be pressure-tested with the appropriate purging gas. The system shall be leak-tested on completion of charging but prior to commissioning. A follow up leak test shall be carried out prior to leaving the site.

# Requirements for Operation

## Requirements for Operation, Service and Installation of Appliances Using Flammable Refrigerants

### Decommissioning

- Before carrying out this procedure, it is essential that the technician is completely familiar with the equipment and all its detail. It is recommended good practice that all refrigerants are recovered safely. Prior to the task being carried out, an oil and refrigerant sample shall be taken in case analysis is required prior to re-use of recovered refrigerant. It is essential that electrical power is available before the task is commenced.
  - a) Become familiar with the equipment and its operation.
  - b) Isolate system electrically.
  - c) Before attempting the procedure, ensure that:
    - mechanical handling equipment is available, if required, for handling refrigerant cylinders;
    - all personal protective equipment is available and being used correctly;
    - the recovery process is supervised at all times by a competent person;
    - recovery equipment and cylinders conform to the appropriate standards.
  - d) Pump down refrigerant system, if possible.
  - e) If a vacuum is not possible, make a manifold so that refrigerant can be removed from various parts of the system.
  - f) Make sure that cylinder is situated on the scales before recovery takes place.
  - g) Start the recovery machine and operate in accordance with instructions.
  - h) Do not overfill cylinders (no more than 80 % volume liquid charge).
  - i) Do not exceed the maximum working pressure of the cylinder, even temporarily.
  - j) When the cylinders have been filled correctly and the process completed, make sure that the cylinders and the equipment are removed from site promptly and all isolation valves on the equipment are closed off.
  - k) Recovered refrigerant shall not be charged into another **REFRIGERATING SYSTEM** unless it has been cleaned and checked.

### Labeling

- Equipment shall be labeled stating that it has been de-commissioned and emptied of refrigerant. The label shall be dated and signed. For appliances containing **FLAMMABLE REFRIGERANTS**, ensure that there are labels on the equipment stating the equipment contains **FLAMMABLE REFRIGERANT**.

# Requirements for Operation

---

## Requirements for Operation, Service and Installation of Appliances Using Flammable Refrigerants

### Recovery

- When removing refrigerant from a system, either for servicing or decommissioning, it is recommended good practice that all refrigerants are removed safely.
- When transferring refrigerant into cylinders, ensure that only appropriate refrigerant recovery cylinders are employed. Ensure that the correct number of cylinders for holding the total system charge is available. All cylinders to be used are designated for the recovered refrigerant and labeled for that refrigerant (i. e. special cylinders for the recovery of refrigerant). Cylinders shall be complete with pressure-relief valve and associated shut-off valves in good working order. Empty recovery cylinders are evacuated and, if possible, cooled before recovery occurs.
- The recovery equipment shall be in good working order with a set of instructions concerning the equipment that is at hand and shall be suitable for the recovery of all appropriate refrigerants including, when applicable, **FLAMMABLE REFRIGERANTS**. In addition, a set of calibrated weighing scales shall be available and in good working order. Hoses shall be complete with leak-free disconnect couplings and in good condition. Before using the recovery machine, check that it is in satisfactory working order, has been properly maintained and that any associated electrical components are sealed to prevent ignition in the event of a refrigerant release. Consult manufacturer if in doubt.
- The recovered refrigerant shall be returned to the refrigerant supplier in the correct recovery cylinder, and the relevant waste transfer note arranged. Do not mix refrigerants in recovery units and especially not in cylinders.
- If compressors or compressor oils are to be removed, ensure that they have been evacuated to an acceptable level to make certain that **FLAMMABLE REFRIGERANT** does not remain within the lubricant. The evacuation process shall be carried out prior to returning the compressor to the suppliers. Only electric heating to the compressor body shall be employed to accelerate this process. When oil is drained from a system, it shall be carried out safely.

# Installation Instructions

---

## Required Tools for Installation

- 5/8" (16mm), 7/8" (22mm), 1" (25mm) or Adjustable Wrench
  - Adhesive tape\*
  - Conduit cable clamp 1/2"\*
  - #2 phillips screwdriver
  - Drill
  - R454b flaring tool
  - Hex wrench
  - Hole saw 2 1/4"
  - Insulation\*
  - Refrigerant scale
  - Level
  - Manifold gauge set
  - Measuring tape
  - Micron gauge
  - Mini-split adapter (5/16"F to 1/4"M)
  - Nitrogen\*
  - Pipe cutter
  - PVC pipe
  - Razor knife
  - Reamer
  - Saddle clamp (L.S.) w/ screws
  - Sealant, non-expanding (for lineset hole)
  - Soap/water solution\* or gas leakage detector
  - Stud finder
  - Torque wrench
  - Vacuum pump
  - Wire strippers
  - All usual and customary HVAC hand and power tools, meters, and testing devices
- \* consumable

## Supplied by Installer

### Refrigerant Line Set: for sizing please refer to the Outdoor Unit Rating Plate

- 14/4 AWG SOOW Non-Shielded Stranded Copper Cable
- R454B Refrigerant (if extra charge is needed, see next section)
- Refrigerant line insulation
- PVC Pipe (optional)
- Condensate drain tubing clamp
- 16/2 AWG Shielded Stranded SOOW Cable for high speed communication
- Hardware for securing outdoor unit to base
- Unit stand & base
- Mounting hardware to stand
  - Suggestion: M10\*30 (bolt diameter is M10; bolt length is 30 mm)
- Power supply cord
- Electrical disconnect
- Electrical breaker

# Installation Instructions

## COMPATIBILITY MATRIX FOR MULTI ZONE DUCTLESS SYSTEM

| ADAPTERS | DESCRIPTION                   | GEA PART#  |
|----------|-------------------------------|------------|
| A        | 1/4" to 3/8"<br>flare Adapter | WJ01X35713 |
| B        | 3/8" to 5/8"<br>flare Adapter | WJ01X35714 |
| C        | 1/2" to 5/8"<br>flare Adapter | WJ01X35715 |
| D        | 3/8" to 1/2"<br>flare Adapter | WJ01X35716 |
| E        | 1/2" to 3/8"<br>flare Adapter | WJ01X35717 |

| Models that may require adapters                                       |             |             |              |
|--|-------------|-------------|--------------|
| *1 - These 24K models require 3/8" liquid and 5/8" vapor linesets      |             |             |              |
| US24LB2BE**  | US24MB2BE** |             |              |
| *2 - These 24K models require 1/4" liquid and 1/2" vapor linesets      |             |             |              |
| QS24WB2BE**  | GS24WB2BE** | QS24WP2BE** | GS24WP2BHE** |
| All 18K models require 1/4" liquid and 1/2" vapor linesets             |             |             |              |
| All 7K, 9K, and 12K models require 1/4" liquid and 3/8" vapor linesets |             |             |              |

### 2Q18FF2B\*\* / 2Q20RT2B\*\*

No adapters required/shipped with 2U Models

| Port Size   | Possible Indoor Unit Capacity Parings (kBTU/hr) |             |
|-------------|---|-------------|
|             | PORT A  | PORT B      |
| 1/4" X 3/8" | 1/4" X 3/8"                                     | 1/4" X 3/8" |
| TWO ZONE    | 7   | 7           |
|             | 9   | 7           |
|             | 9   | 9           |
|             | 12  | 7           |
|             | 12  | 9           |
|             | 12  | 12          |
|             | 15  | 7           |
|             | 15  | 9           |

# Installation Instructions

Adapters required based upon paired Indoor unit capacity for the 3Q24FF2B\*\* / 3Q24RT2B\*\*

Adapters required/Ships with adapter D.

No adapters required for Ports B,A.

| Port Size         | Possible Indoor Unit Capacity Parings (kBTU/hr) |                  |             |             |
|-------------------|---|------------------|-------------|-------------|
|                   | PORT C  |                  | PORT B      | PORT A      |
|                   | 1/4" X 3/8"                                     | Required Adapter | 1/4" X 3/8" | 1/4" X 3/8" |
| <b>TWO ZONE</b>   | 7   | -                | 7           |             |
|                   | 9   | -                | 7           | -           |
|                   | 9   | -                | 9           | -           |
|                   | 12  | -                | 7           | -           |
|                   | 12  | -                | 9           | -           |
|                   | 12  | -                | 12          | -           |
|                   | 15  | -                | 7           | -           |
|                   | 15  | -                | 9           | -           |
|                   | 15  | -                | 12          | -           |
|                   | <b>15</b>                                       | -                | 15          | -           |
|                   | 18  | D                | 7           | -           |
|                   | 18  | D                | 9           | -           |
|                   | 18  | D                | 12          | -           |
|                   | 24  | A, B *1   D*1    | 7           | -           |
| 24                | A, B *1   D*1                                   | 9                | -           |             |
| <b>THREE ZONE</b> | 7   | -                | 7           | 7           |
|                   | 9   | -                | 7           | 7           |
|                   | 9   | -                | 9           | 7           |
|                   | 9   | -                | 9           | 9           |
|                   | 12  | -                | 7           | 7           |
|                   | 12  | -                | 9           | 7           |
|                   | 12  | -                | 9           | 9           |
|                   | 12  | -                | 12          | 7           |
|                   | 12  | -                | 12          | 9           |
|                   | 15  | -                | 7           | 7           |
|                   | 15  | -                | 9           | 7           |
|                   | 15  | -                | 9           | 9           |
| 18                | D   | 7                | 7           |             |

# Installation Instructions

Adapters required based upon paired Indoor unit capacity for the 4Q36FF2B\*\* / 4Q36RT2B\*\*

Ships with adapter D and E

No adapters required for Ports B,A

| Port Size: | Possible Indoor Unit Capacity Parings (kBTU/hr) |                                      |             |                                    |             |             |
|------------|---|--------------------------------------|-------------|------------------------------------|-------------|-------------|
|            | PORT D  |                                      | PORT C      |                                    | PORT B      | PORT A      |
|            | 1/4" X 1/2"                                     | Required Adapter                     | 1/4" X 3/8" | Required Adapter                   | 1/4" X 3/8" | 1/4" X 3/8" |
| TWO ZONE   | 18  | -                                    | 9           | -                                  | -           | -           |
|            | 18  | -                                    | 12          | -                                  | -           | -           |
|            | 18  | -                                    | 15          | -                                  | -           | -           |
|            | 18  | -                                    | 18          | D                                  | -           | -           |
|            | 18  | -                                    | 24          | A, B <sup>1</sup>   D <sup>2</sup> | -           | -           |
|            | 24  | A, C <sup>1</sup>   -- <sup>2</sup>  | 7           | -                                  | -           | -           |
|            | 24  | A, C <sup>1</sup>   -- <sup>2</sup>  | 9           | -                                  | -           | -           |
|            | 24  | A, C <sup>1</sup>   -- <sup>2</sup>  | 12          | -                                  | -           | -           |
|            | 24  | A, C <sup>1</sup>   -- <sup>2</sup>  | 15          | -                                  | -           | -           |
| THREE ZONE | -   | -                                    | 9           | -                                  | 9           | 9           |
|            | -   | -                                    | 12          | -                                  | 9           | 7           |
|            | -   | -                                    | 12          | -                                  | 9           | 9           |
|            | -   | -                                    | 12          | -                                  | 12          | 7           |
|            | -   | -                                    | 12          | -                                  | 12          | 9           |
|            | -   | -                                    | 12          | -                                  | 12          | 12          |
|            | -   | -                                    | 15          | -                                  | 7           | 7           |
|            | -   | -                                    | 15          | -                                  | 9           | 7           |
|            | -   | -                                    | 15          | -                                  | 12          | 7           |
|            | -   | -                                    | 15          | -                                  | 15          | 7           |
|            | -   | -                                    | 15          | -                                  | 12          | 7           |
|            | -   | -                                    | 15          | -                                  | 9           | 9           |
|            | -   | -                                    | 15          | -                                  | 12          | 9           |
|            | -   | -                                    | 15          | -                                  | 15          | 9           |
|            | -   | -                                    | 15          | -                                  | 12          | 12          |
|            | -   | -                                    | 15          | -                                  | 15          | 12          |
|            | -   | -                                    | 15          | -                                  | 15          | 15          |
|            | 18  | -                                    | 7           | -                                  | 7           | -           |
|            | 18  | -                                    | 9           | -                                  | 7           | -           |
|            | 18  | -                                    | 9           | -                                  | 9           | -           |
|            | 18  | -                                    | 12          | -                                  | 7           | -           |
|            | 18  | -                                    | 12          | -                                  | 9           | -           |
|            | 18  | -                                    | 12          | -                                  | 12          | -           |
|            | 18  | -                                    | 15          | -                                  | 7           | -           |
|            | 18  | -                                    | 15          | -                                  | 9           | -           |
|            | 18  | -                                    | 15          | -                                  | 12          | -           |
|            | 18  | -                                    | 15          | -                                  | 15          | -           |
|            | 18  | -                                    | 18          | D                                  | 7           | -           |
|            | 18  | -                                    | 18          | D                                  | 9           | -           |
|            | 18  | -                                    | 18          | D                                  | 12          | -           |
|            | 24  | -A, C <sup>1</sup>   -- <sup>2</sup> | 7           | -                                  | 7           | -           |
|            | 24  | -A, C <sup>1</sup>   -- <sup>2</sup> | 9           | -                                  | 7           | -           |

# Installation Instructions

Adapters required based upon paired Indoor unit capacity for the 4Q36FF2B\*\* / 4Q36RT2B\*\* (Continued)

Ships with adapter D and E

No adapters required for Ports B,A

| Port Size:        | Possible Indoor Unit Capacity Parings (kBtu/hr) |                                     |             |                  |             |             |
|-------------------|---|-------------------------------------|-------------|------------------|-------------|-------------|
|                   | PORT D  |                                     | PORT C      |                  | PORT B      | PORT A      |
|                   | 1/4" X 1/2"                                     | Required Adapter                    | 1/4" X 3/8" | Required Adapter | 1/4" X 3/8" | 1/4" X 3/8" |
| THREE ZONE (Cont) | 24  | A, C <sup>1</sup>   -- <sup>2</sup> | 9           | -                | 9           | -           |
|                   | 24  | A, C <sup>1</sup>   -- <sup>2</sup> | 12          | -                | 7           | -           |
|                   | 24  | A, C <sup>1</sup>   -- <sup>2</sup> | 12          | -                | 9           | -           |
|                   | 24  | A, C <sup>1</sup>   -- <sup>2</sup> | 12          | -                | 12          | -           |
|                   | 24  | A, C <sup>1</sup>   -- <sup>2</sup> | 15          | -                | 7           | -           |
|                   | 24  | A, C <sup>1</sup>   -- <sup>2</sup> | 15          | -                | 9           | -           |
| FOUR ZONE         | 7   | E                                   | 7           | -                | 7           | 7           |
|                   | 9   | E                                   | 7           | -                | 7           | 7           |
|                   | 9   | E                                   | 9           | -                | 7           | 7           |
|                   | 9   | E                                   | 9           | -                | 9           | 7           |
|                   | 9   | E                                   | 9           | -                | 9           | 9           |
|                   | 12  | E                                   | 7           | -                | 7           | 7           |
|                   | 12  | E                                   | 9           | -                | 7           | 7           |
|                   | 12  | E                                   | 9           | -                | 9           | 7           |
|                   | 12  | E                                   | 9           | -                | 9           | 9           |
|                   | 12  | E                                   | 12          | -                | 7           | 7           |
|                   | 12  | E                                   | 12          | -                | 9           | 7           |
|                   | 12  | E                                   | 12          | -                | 9           | 9           |
|                   | 12  | E                                   | 12          | -                | 12          | 7           |
|                   | 12  | E                                   | 12          | -                | 12          | 9           |
|                   | 12  | E                                   | 12          | -                | 12          | 12          |
|                   | 15  | E                                   | 7           | -                | 7           | 7           |
|                   | 15  | E                                   | 9           | -                | 7           | 7           |
|                   | 15  | E                                   | 9           | -                | 9           | 7           |
|                   | 15  | E                                   | 9           | -                | 9           | 9           |
|                   | 15  | E                                   | 12          | -                | 7           | 7           |
|                   | 15  | E                                   | 12          | -                | 9           | 7           |
|                   | 15  | E                                   | 12          | -                | 9           | 9           |
|                   | 15  | E                                   | 12          | -                | 12          | 7           |
|                   | 15  | E                                   | 12          | -                | 12          | 9           |
|                   | 15  | E                                   | 15          | -                | 7           | 7           |
|                   | 15  | E                                   | 15          | -                | 9           | 7           |
|                   | 15  | E-                                  | 15          | -                | 9           | 9           |
|                   | 18  | -                                   | 7           | -                | 7           | 7           |
|                   | 18  | -                                   | 9           | -                | 7           | 7           |
|                   | 18  | -                                   | 9           | -                | 9           | 7           |
| 18                | -   | 9                                   | -           | 9                | 9           |             |
| 18                | -   | 12                                  | -           | 7                | 7           |             |
| 18                | -   | 12                                  | -           | 9                | 7           |             |
| 18                | -   | 12                                  | -           | 9                | 9           |             |
| 18                | -   | 15                                  | -           | 7                | 7           |             |
| 24                | -A, C <sup>1</sup>   -- <sup>2</sup>            | 7                                   | -           | 7                | 7           |             |
| 24                | -A, C <sup>1</sup>   -- <sup>2</sup>            | 9                                   | -           | 7                | 7           |             |

# Installation Instructions

Adapters required based upon paired Indoor unit capacity for the 5Q42RT2B\*\*

Ships with adapter D and E

No adapters required for Ports B,A

| Port Size: | Possible Indoor Unit Capacity Parings (kBTU/hr) |                                      |             |                  |             |                  |             |             |
|------------|---|--------------------------------------|-------------|------------------|-------------|------------------|-------------|-------------|
|            | PORT E  |                                      | PORT D      |                  | PORT C      |                  | PORT B      | PORT A      |
|            | 1/4" X 1/2"                                     | Required Adapter                     | 1/4" X 1/2" | Required Adapter | 1/4" X 3/8" | Required Adapter | 1/4" X 3/8" | 1/4" X 3/8" |
| TWO ZONE   | 18  | -                                    | -           | -                | 9           | -                | -           | -           |
|            | 18  | -                                    | -           | -                | 12          | -                | -           | -           |
|            | 18  | -                                    | -           | -                | 15          | -                | -           | -           |
|            | 18  | -                                    | 18          | -                | -           | -                | -           | -           |
|            | 24  | A, C <sup>11</sup>   -- <sup>2</sup> | -           | -                | 7           | -                | -           | -           |
|            | 24  | A, C <sup>11</sup>   -- <sup>2</sup> | -           | -                | 9           | -                | -           | -           |
|            | 24  | A, C <sup>11</sup>   -- <sup>2</sup> | -           | -                | 12          | -                | -           | -           |
|            | 24  | A, C <sup>11</sup>   -- <sup>2</sup> | -           | -                | 15          | -                | -           | -           |
|            | 24  | A, C <sup>11</sup>   -- <sup>2</sup> | 18          | -                | -           | -                | -           | -           |
| THREE ZONE | -   | -                                    | -           | -                | 9           | -                | 9           | 9           |
|            | -   | -                                    | -           | -                | 12          | -                | 9           | 9           |
|            | -   | -                                    | -           | -                | 12          | -                | 9           | 7           |
|            | -   | -                                    | -           | -                | 12          | -                | 12          | 7           |
|            | -   | -                                    | -           | -                | 12          | -                | 12          | 9           |
|            | -   | -                                    | -           | -                | 12          | -                | 12          | 12          |
|            | -   | -                                    | -           | -                | 15          | -                | 7           | 7           |
|            | -   | -                                    | -           | -                | 15          | -                | 9           | 7           |
|            | -   | -                                    | -           | -                | 15          | -                | 9           | 9           |
|            | -   | -                                    | -           | -                | 15          | -                | 12          | 7           |
|            | -   | -                                    | -           | -                | 15          | -                | 12          | 9           |
|            | -   | -                                    | -           | -                | 15          | -                | 12          | 12          |
|            | -   | -                                    | -           | -                | 15          | -                | 15          | 7           |
|            | -   | -                                    | -           | -                | 15          | -                | 15          | 9           |
|            | -   | -                                    | -           | -                | 15          | -                | 15          | 12          |
|            | -   | -                                    | -           | -                | 15          | -                | 15          | 15          |
|            | 18  | -                                    | -           | -                | 7           | -                | 7           | -           |
|            | 18  | -                                    | -           | -                | 9           | -                | 7           | -           |
|            | 18  | -                                    | -           | -                | 9           | -                | 9           | -           |
|            | 18  | -                                    | -           | -                | 12          | -                | 7           | -           |
|            | 18  | -                                    | -           | -                | 12          | -                | 9           | -           |
|            | 18  | -                                    | -           | -                | 12          | -                | 12          | -           |
|            | 18  | -                                    | -           | -                | 15          | -                | 7           | -           |
|            | 18  | -                                    | -           | -                | 15          | -                | 9           | -           |
|            | 18  | -                                    | -           | -                | 15          | -                | 12          | -           |
|            | 18  | -                                    | -           | -                | 15          | -                | 15          | -           |
|            | 18  | -                                    | 18          | -                | 7           | -                | -           | -           |
|            | 18  | -                                    | 18          | -                | 9           | -                | -           | -           |
|            | 18  | -                                    | 18          | -                | 12          | -                | -           | -           |
|            | 18  | -                                    | 18          | -                | 15          | -                | -           | -           |
|            | 18  | -                                    | 18          | -                | 18          | D                | -           | -           |
|            | 24  | A, C <sup>11</sup>   -- <sup>2</sup> | -           | -                | 7           | -                | 7           | -           |

# Installation Instructions

## Adapters required based upon paired Indoor unit capacity for the 5Q42RT2B\*\* (Continued)

Ships with adapter D and E

No adapters required for Ports B,A

| Port Size            | Possible Indoor Unit Capacity Parings (kBtu/hr) |                                     |             |                  |             |                  |             |             |
|----------------------|---|-------------------------------------|-------------|------------------|-------------|------------------|-------------|-------------|
|                      | PORT E  |                                     | PORT D      |                  | PORT C      |                  | PORT B      | PORT A      |
|                      | 1/4" X 1/2"                                     | Required Adapter                    | 1/4" X 1/2" | Required Adapter | 1/4" X 3/8" | Required Adapter | 1/4" X 3/8" | 1/4" X 3/8" |
| THREE ZONE<br>(Cont) | 24  | A, C <sup>1</sup>   -- <sup>2</sup> | -           | -                | 9           | -                | 7           | -           |
|                      | 24  | A, C <sup>1</sup>   -- <sup>2</sup> | -           | -                | 9           | -                | 9           | -           |
|                      | 24  | A, C <sup>1</sup>   -- <sup>2</sup> | -           | -                | 12          | -                | 7           | -           |
|                      | 24  | A, C <sup>1</sup>   -- <sup>2</sup> | -           | -                | 12          | -                | 9           | -           |
|                      | 24  | A, C <sup>1</sup>   -- <sup>2</sup> | -           | -                | 12          | -                | 12          | -           |
|                      | 24  | A, C <sup>1</sup>   -- <sup>2</sup> | -           | -                | 15          | -                | 7           | -           |
|                      | 24  | A, C <sup>1</sup>   -- <sup>2</sup> | -           | -                | 15          | -                | 9           | -           |
|                      | 24  | A, C <sup>1</sup>   -- <sup>2</sup> | -           | -                | 15          | -                | 12          | -           |
|                      | 24  | A, C <sup>1</sup>   -- <sup>2</sup> | -           | -                | 15          | -                | 15          | -           |
|                      | 24  | A, C <sup>1</sup>   -- <sup>2</sup> | 18          | -                | 7           | -                | -           | -           |
|                      | 24  | A, C <sup>1</sup>   -- <sup>2</sup> | 18          | -                | 9           | -                | -           | -           |
|                      | 24  | A, C <sup>1</sup>   -- <sup>2</sup> | 18          | -                | 12          | -                | -           | -           |
| FOUR ZONE            | 7   | E                                   | -           | -                | 7           | -                | 7           | 7           |
|                      | 9   | E                                   | -           | -                | 7           | -                | 7           | 7           |
|                      | 9   | E                                   | -           | -                | 9           | -                | 7           | 7           |
|                      | 9   | E                                   | -           | -                | 9           | -                | 9           | 7           |
|                      | 9   | E                                   | -           | -                | 9           | -                | 9           | 9           |
|                      | 12  | E                                   | -           | -                | 7           | -                | 7           | 7           |
|                      | 12  | E                                   | -           | -                | 9           | -                | 7           | 7           |
|                      | 12  | E                                   | -           | -                | 9           | -                | 9           | 7           |
|                      | 12  | E                                   | -           | -                | 9           | -                | 9           | 9           |
|                      | 12  | E                                   | -           | -                | 12          | -                | 7           | 7           |
|                      | 12  | E                                   | -           | -                | 12          | -                | 9           | 7           |
|                      | 12  | E                                   | -           | -                | 12          | -                | 9           | 9           |
|                      | 12  | E                                   | -           | -                | 12          | -                | 12          | 7           |
|                      | 12  | E                                   | -           | -                | 12          | -                | 12          | 9           |
|                      | 12  | E                                   | -           | -                | 12          | -                | 12          | 12          |
|                      | 15  | E                                   | -           | -                | 7           | -                | 7           | 7           |
|                      | 15  | E                                   | -           | -                | 9           | -                | 7           | 7           |
|                      | 15  | E                                   | -           | -                | 9           | -                | 9           | 7           |
|                      | 15  | E                                   | -           | -                | 9           | -                | 9           | 9           |
|                      | 15  | E                                   | -           | -                | 12          | -                | 7           | 7           |
|                      | 15  | E                                   | -           | -                | 12          | -                | 9           | 7           |
|                      | 15  | E                                   | -           | -                | 12          | -                | 9           | 9           |
|                      | 15  | E                                   | -           | -                | 12          | -                | 12          | 7           |
|                      | 15  | E                                   | -           | -                | 12          | -                | 12          | 9           |
|                      | 15  | E                                   | -           | -                | 12          | -                | 12          | 12          |
|                      | 15  | E                                   | -           | -                | 15          | -                | 7           | 7           |
|                      | 15  | E                                   | -           | -                | 15          | -                | 9           | 7           |
|                      | 15  | E                                   | -           | -                | 15          | -                | 9           | 9           |
|                      | 15  | E                                   | -           | -                | 15          | -                | 12          | 9           |
|                      | 15  | E                                   | -           | -                | 15          | -                | 12          | 12          |
| 15                   | E   | -                                   | -           | 15               | -           | 15               | 12          |             |
| 18                   | -   | -                                   | -           | -                | 7           | -                | 7           | 7           |
| 18                   | -   | -                                   | -           | -                | 9           | -                | 7           | 7           |
| 18                   | -   | -                                   | -           | -                | 9           | -                | 9           | 7           |
| 18                   | -   | -                                   | -           | -                | 9           | -                | 9           | 9           |
| 18                   | -   | -                                   | -           | -                | 12          | -                | 7           | 7           |
| 18                   | -   | -                                   | -           | -                | 12          | -                | 9           | 7           |
| 18                   | -   | -                                   | -           | -                | 12          | -                | 9           | 9           |
| 18                   | -   | -                                   | -           | -                | 12          | -                | 12          | 7           |

# Installation Instructions

## Adapters required based upon paired Indoor unit capacity for the 5Q42RT2B\*\* (Continued)

Ships with adapter D and E

No adapters required for Ports B,A

| Port Size           | Possible Indoor Unit Capacity Parings (kBTU/hr) |                                     |             |                  |             |                  |             |             |
|---------------------|---|-------------------------------------|-------------|------------------|-------------|------------------|-------------|-------------|
|                     | PORT E  |                                     | PORT D      |                  | PORT C      |                  | PORT B      | PORT A      |
|                     | 1/4" X 1/2"                                     | Required Adapter                    | 1/4" X 1/2" | Required Adapter | 1/4" X 3/8" | Required Adapter | 1/4" X 3/8" | 1/4" X 3/8" |
| FOUR ZONE<br>(Cont) | 18  | -                                   | -           | -                | 12          | -                | 12          | 9           |
|                     | 18  | -                                   | -           | -                | 12          | -                | 12          | 12          |
|                     | 18  | -                                   | -           | -                | 15          | -                | 7           | 7           |
|                     | 18  | -                                   | -           | -                | 15          | -                | 9           | 7           |
|                     | 18  | -                                   | -           | -                | 15          | -                | 9           | 9           |
|                     | 18  | -                                   | -           | -                | 15          | -                | 12          | 7           |
|                     | 18  | -                                   | -           | -                | 15          | -                | 12          | 9           |
|                     | 18  | -                                   | -           | -                | 15          | -                | 12          | 12          |
|                     | 18  | -                                   | 18          | -                | 7           | -                | 7           | -           |
|                     | 18  | -                                   | 18          | -                | 9           | -                | 7           | -           |
|                     | 18  | -                                   | 18          | -                | 9           | -                | 9           | -           |
|                     | 18  | -                                   | 18          | -                | 12          | -                | 7           | -           |
|                     | 18  | -                                   | 18          | -                | 12          | -                | 9           | -           |
|                     | 24  | A, C <sup>1</sup>   -- <sup>2</sup> | -           | -                | 7           | -                | 7           | 7           |
|                     | 24  | A, C <sup>1</sup>   -- <sup>2</sup> | -           | -                | 9           | -                | 7           | 7           |
|                     | 24  | A, C <sup>1</sup>   -- <sup>2</sup> | -           | -                | 9           | -                | 9           | 7           |
|                     | 24  | A, C <sup>1</sup>   -- <sup>2</sup> | -           | -                | 9           | -                | 9           | 9           |
|                     | 24  | A, C <sup>1</sup>   -- <sup>2</sup> | -           | -                | 12          | -                | 7           | 7           |
|                     | 24  | A, C <sup>1</sup>   -- <sup>2</sup> | -           | -                | 12          | -                | 9           | 7           |
|                     | 24  | A, C <sup>1</sup>   -- <sup>2</sup> | -           | -                | 12          | -                | 9           | 9           |
| 24                  | A, C <sup>1</sup>   -- <sup>2</sup>             | -                                   | -           | 12               | -           | 12               | 7           |             |
| 24                  | A, C <sup>1</sup>   -- <sup>2</sup>             | -                                   | -           | 15               | -           | 7                | 7           |             |
| 24                  | A, C <sup>1</sup>   -- <sup>2</sup>             | -                                   | -           | 15               | -           | 9                | 7           |             |
| 24                  | A, C <sup>1</sup>   -- <sup>2</sup>             | 18                                  | -           | 7                | -           | 7                | -           |             |
| FIVE ZONE           | 7   | E                                   | 7           | E                | 7           | -                | 7           | 7           |
|                     | 9   | E                                   | 7           | E                | 7           | -                | 7           | 7           |
|                     | 9   | E                                   | 9           | E                | 7           | -                | 7           | 7           |
|                     | 9   | E                                   | 9           | E                | 9           | -                | 7           | 7           |
|                     | 9   | E                                   | 9           | E                | 9           | -                | 9           | 7           |
|                     | 9   | E                                   | 9           | E                | 9           | -                | 9           | 9           |
|                     | 12  | E                                   | 7           | E                | 7           | -                | 7           | 7           |
|                     | 12  | E                                   | 9           | E                | 7           | -                | 7           | 7           |
|                     | 12  | E                                   | 9           | E                | 9           | -                | 7           | 7           |
|                     | 12  | E                                   | 9           | E                | 9           | -                | 9           | 7           |
|                     | 12  | E                                   | 9           | E                | 9           | -                | 9           | 9           |
|                     | 12  | E                                   | 12          | E                | 7           | -                | 7           | 7           |
|                     | 12  | E                                   | 12          | E                | 9           | -                | 7           | 7           |
|                     | 12  | E                                   | 12          | E                | 9           | -                | 9           | 7           |
|                     | 12  | E                                   | 12          | E                | 9           | -                | 9           | 9           |
|                     | 12  | E                                   | 12          | E                | 12          | -                | 7           | 7           |
|                     | 12  | E                                   | 12          | E                | 12          | -                | 9           | 7           |
|                     | 12  | E                                   | 12          | E                | 12          | -                | 9           | 9           |
|                     | 12  | E                                   | 12          | E                | 12          | -                | 12          | 7           |
|                     | 12  | E                                   | 12          | E                | 12          | -                | 12          | 9           |
| 12                  | E   | 12                                  | E           | 12               | -           | 12               | 12          |             |
| 18                  | -   | 7                                   | E           | 7                | -           | 7                | 7           |             |

# Installation Instructions

## Adapters required based upon paired Indoor unit capacity for the 5Q42RT2B\*\* (Continued)

Ships with adapter D and E

No adapters required for Ports B,A

| Port Size:          | Possible Indoor Unit Capacity Parings (kBTU/hr) |                                     |             |                  |             |                  |             |             |   |
|---------------------|---|-------------------------------------|-------------|------------------|-------------|------------------|-------------|-------------|---|
|                     | PORT E  |                                     | PORT D      |                  | PORT C      |                  | PORT B      | PORT A      |   |
|                     | 1/4" X 1/2"                                     | Required Adapter                    | 1/4" X 1/2" | Required Adapter | 1/4" X 3/8" | Required Adapter | 1/4" X 3/8" | 1/4" X 3/8" |   |
| FIVE ZONE<br>(Cont) | 18  | -                                   | 9           | E                | 7           | -                | 7           | 7           |   |
|                     | 18  | -                                   | 9           | E                | 9           | -                | 7           | 7           |   |
|                     | 18  | -                                   | 9           | E                | 9           | -                | 9           | 7           |   |
|                     | 18  | -                                   | 9           | E                | 9           | -                | 9           | 9           |   |
|                     | 18  | -                                   | 12          | E                | 7           | -                | 7           | 7           |   |
|                     | 18  | -                                   | 12          | E                | 9           | -                | 7           | 7           |   |
|                     | 18  | -                                   | 12          | E                | 9           | -                | 9           | 7           |   |
|                     | 18  | -                                   | 12          | E                | 9           | -                | 9           | 9           |   |
|                     | 18  | -                                   | 12          | E                | 12          | -                | 7           | 7           |   |
|                     | 18  | -                                   | 12          | E                | 12          | -                | 9           | 7           |   |
|                     | 18  | -                                   | 12          | E                | 12          | -                | 9           | 9           |   |
|                     | 18  | -                                   | 15          | E                | 7           | -                | 7           | 7           |   |
|                     | 18  | -                                   | 15          | E                | 9           | -                | 7           | 7           |   |
|                     | 18  | -                                   | 15          | E                | 9           | -                | 9           | 7           |   |
|                     | 18  | -                                   | 15          | E                | 9           | -                | 9           | 9           |   |
|                     | 18  | -                                   | 15          | E                | 12          | -                | 7           | 7           |   |
|                     | 24  | A, C <sup>1</sup>   -- <sup>2</sup> |             | 7                | E           | 7                | -           | 7           | 7 |
|                     | 24  | A, C <sup>1</sup>   -- <sup>2</sup> |             | 9                | E           | 7                | -           | 7           | 7 |
|                     | 24  | A, C <sup>1</sup>   -- <sup>2</sup> |             | 9                | E           | 9                | -           | 7           | 7 |
|                     | 24  | A, C <sup>1</sup>   -- <sup>2</sup> |             | 9                | E           | 9                | -           | 9           | 7 |
| 24                  | A, C <sup>1</sup>   -- <sup>2</sup>             |                                     | 9           | E                | 9           | -                | 9           | 9           |   |
| 24                  | A, C <sup>1</sup>   -- <sup>2</sup>             |                                     | 12          | E                | 7           | -                | 7           | 7           |   |
| 24                  | A, C <sup>1</sup>   -- <sup>2</sup>             |                                     | 12          | E                | 9           | -                | 7           | 7           |   |

# Installation Instructions

## Installation Precautions

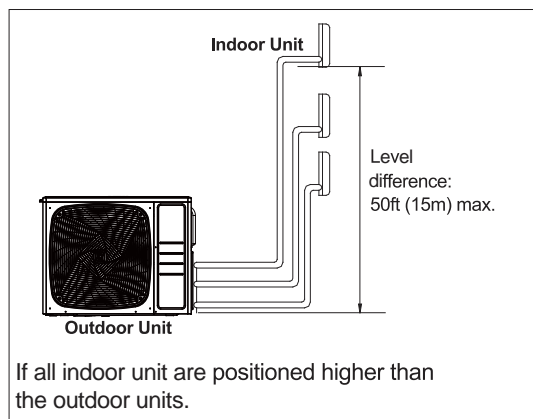
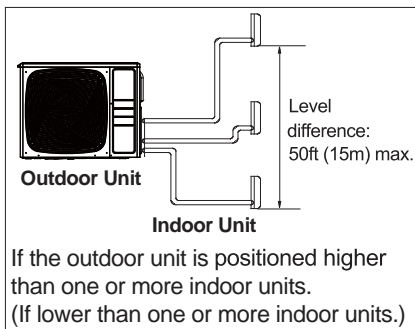
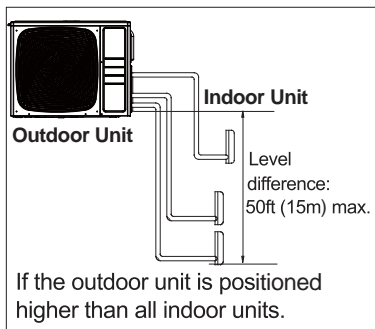
This product contains fluorinated greenhouse gases covered by the Kyoto Protocol. Do not vent into the atmosphere.

**Refrigerant type: R454B**

### Refrigerant Charge and Pipe Length Information

| Model Number | Factory Charge        | Total Pipe Length of factory charge | Additional charge rule | Branch Maximum pipe length | System Maximum pipe length | Minimum pipe length |
|--------------|-----------------------|-------------------------------------|------------------------|----------------------------|----------------------------|---------------------|
| Unit         | oz                    | ft                                  | oz/ft                  | ft                         | ft                         | ft                  |
| 2G18AD2B**   | Refer to rating plate | 66                                  | 0.2                    | 65                         | 98                         | 10' per indoor      |
| 3G24AD2B**   |                       | 100                                 |                        | 82                         | 197                        |                     |
| 4G36AD2B**   |                       | 131                                 |                        | 82                         | 230                        |                     |
| 2G20ED2B**   |                       | 66                                  |                        | 82                         | 164                        |                     |
| 3G24ED2B**   |                       | 100                                 |                        | 82                         | 197                        |                     |
| 4G36ED2B**   |                       | 131                                 |                        | 82                         | 230                        |                     |
| 5G42ED2B**   |                       | 164                                 |                        | 82                         | 262                        |                     |

### ⚠ CAUTION

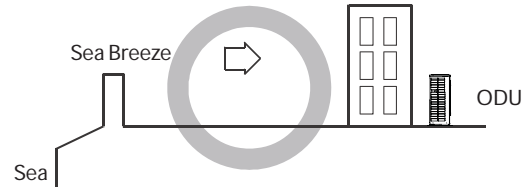
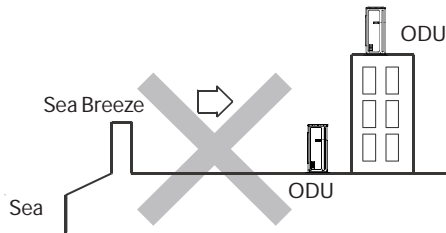


After the total refrigerant charge is calculated, refer to the installation instructions of the indoor unit. Depending on the room size, a refrigerant leak sensor may need to be installed on the indoor unit.

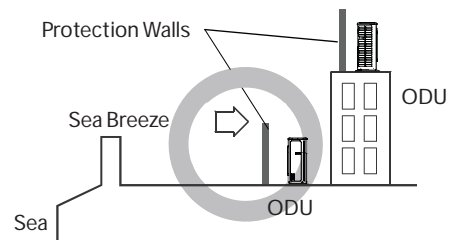
# Installation Instructions

## SALTWATER COAST INSTALL

- The outdoor unit should be installed at least ½ mile away from the salt water, including seacoasts and inland waterways. If the unit installed from ½ mile to 5 miles away from the salt water, including seacoasts and inland waterways, please follow the installation instruction below.
- Install the outdoor unit in a place (such as near buildings etc.) where it can be protected from sea breeze which can damage the outdoor unit.



- If you cannot avoid installing the outdoor unit by the seashore, construct a protection wall around it to block the sea breeze.
- A protection wall should be constructed with a solid material to block the sea breeze. The height and the width of the wall should be 1.5 times larger than the size of the outdoor unit. Also, allow at least 28" (700mm) between the protection wall and the outdoor unit for air circulation to ventilate.
- Install the outdoor unit in a place where water can drain freely.
- If the above conditions cannot be met, contact GE Appliances for assistance.



## LOW AMBIENT INSTALL

- If the outdoor unit is installed in a region that is affected by strong wind or snow accumulation, it is recommended to install wind baffle or/and top cover accessories. Corresponding top cover and wind baffle model number can be found in product catalog. The installation instructions can be found in the manual shipped with each accessory or on-line at [GEAppliancesAirandWater.com](http://GEAppliancesAirandWater.com).

# Installation Instructions

## Step 1 - Preparation

### Outdoor Unit Clearances

**NOTE:** Fix the unit by inserting bolts, wire or other foundation options if there is danger that the unit will fall or turn over.

**NOTE:** Place the unit on a level mounting base (or a plastic pedestal) for proper drainage.

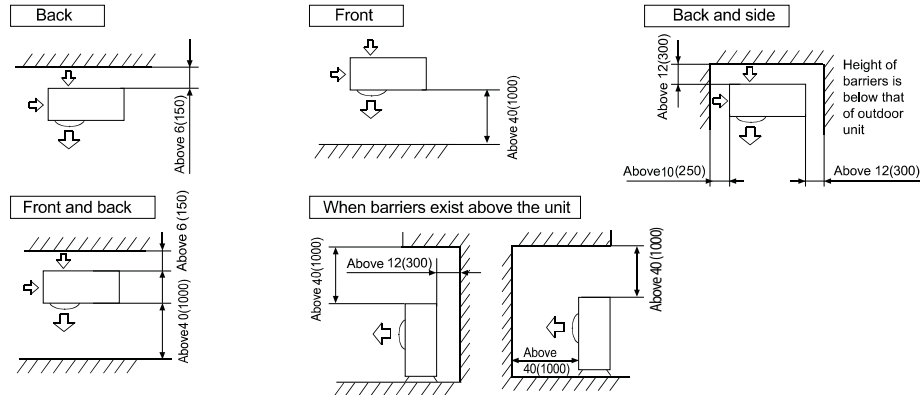
**NOTE:** Install the outdoor unit in a level position. Failure to do so may result in water leakage or accumulation.

**NOTE:** Heat pump models will generate condensate water on the outdoor unit. Stacking the units without managing condensate water may create failure on the lower unit.

#### (3) Installation and maintenance space

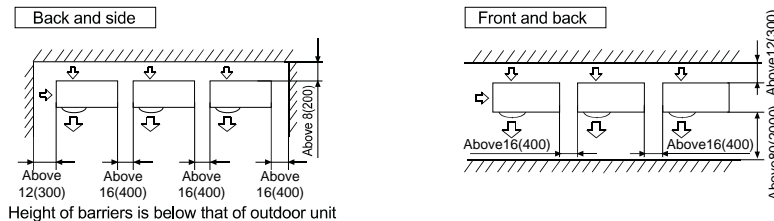
Selection of installation location of outdoor

(1) Single-unit installation (unit: in.(mm))

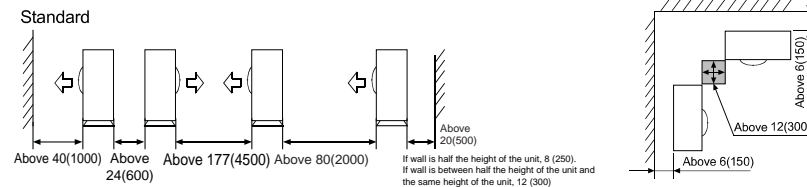


The top and two side surfaces must be exposed to open space, and barriers on at least one side of the front and back shall be lower than the outdoor unit.

(2) Multi-unit installation (unit: in.(mm))



(3) Multi-unit installation in front and back (unit: in.(mm))



#### Select the Outdoor location:

- Choose a level place solid enough to bear the weight and vibration of the OD unit and where the operation noise will not be amplified.
- Choose a location where the hot air discharge and/or noise will not create a nuisance for neighbors.
- Ensure there is sufficient space to maneuver the OD unit into place.
- Ensure there is sufficient space and no obstructions for the air inlet and outlet.
- Install the unit's power/communication wiring at least 10 feet away from television and radio sets to prevent interference.
- Ensure any moisture sensitive items are kept away from the condensate drain path of the OD unit.

# Installation Instructions

---

## Step 1 - Preparation Cont.

**NOTES:**

- OD unit cannot hang from a ceiling or be stacked.
- Ensure that accumulated snow and debris will not block the air inlet or the coil if installing the outdoor unit with a fence or guard rail around it.
- Ensure ventilation in case of refrigerant leakage.
- Avoid installing the OD unit where corrosive gases, such as sulfur oxides, ammonia, and sulfurous gas are produced. Consult with an installation specialist about using a corrosion-proof or anti-rust additive to protect the unit coils.

## Step 2 - Installation of the Indoor Unit(s)

Please refer to the Indoor Installation Manual.

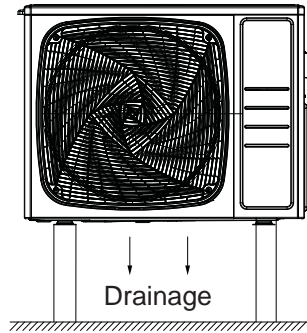
# Installation Instructions

## Step 3 - Installation of the Outdoor Unit

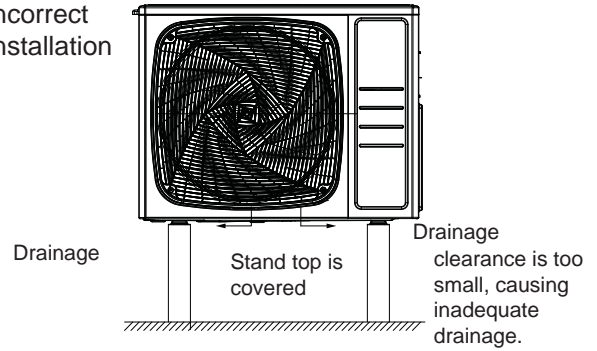
### A. Prepare the Outdoor Unit for Installation

- Remove all packaging.
- Place supplied vibration pads onto outdoor unit's feet.
- Use team lift to place the unit on a solid foundation, 8" above the average snowfall.

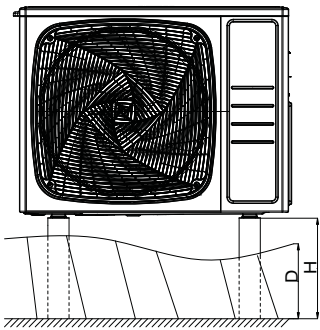
Correct Installation



Incorrect Installation

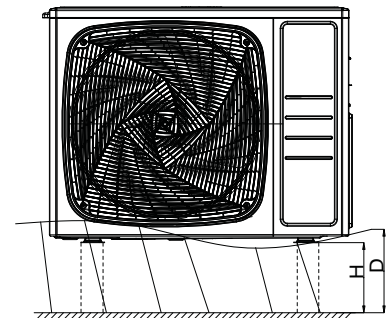


Correct Installation



Minimum height(H) should be higher than the highest snowfall depth(D)( $H=D+8"$ )

Incorrect Installation



Unit may become covered in snow if the stand height is insufficient.

# Installation Instructions

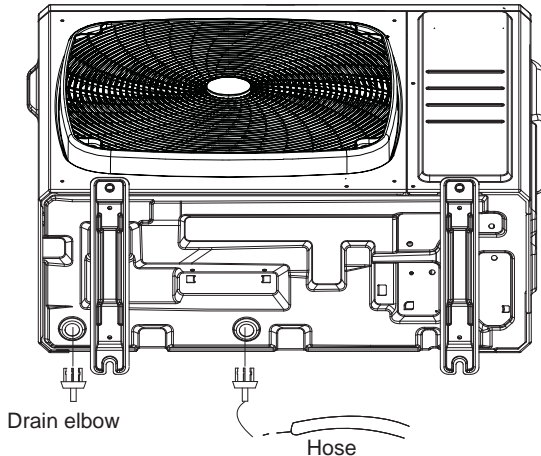
## Step 3 - Installation of the Outdoor Unit (Cont.)

### B Attaching Drain Elbow to Outdoor Unit

- Attach the supplied drain elbow to the outdoor unit, if required. Connect extension piping as needed (not supplied). (see illustration)

**NOTE:** The drain elbow is designed with an air gap and will not sit flush to bottom of the outdoor unit.

**NOTE:** A 3rd party pan is needed, if condensate management is required by code.



### C. Electrical Connections for the Outdoor Unit

**⚠ WARNING RISK OF ELECTRIC SHOCK.**

**Could cause injury or death.**

**Make sure power is off before touching wires.**

**NOTE:** Be certain all wiring complies with local building codes and NEC and that the supply voltage for this system is correct.

- Connect the wiring for both the power source and the indoor wiring using a conduit cable bracket on the side of the outdoor unit.
- Using a wire stripper, remove the insulation and separate the wires.
- Verify that the wiring connections match the indoor connections wire for wire.
- Ensure each wire is under the screw terminal plate and the plate is tightened.
- Ensure the 14/4 stranded wire cable is secured under the strain relief bracket. If crimping on end terminators, follow manufacturer's recommendations.
- Verify that all connections are secured.

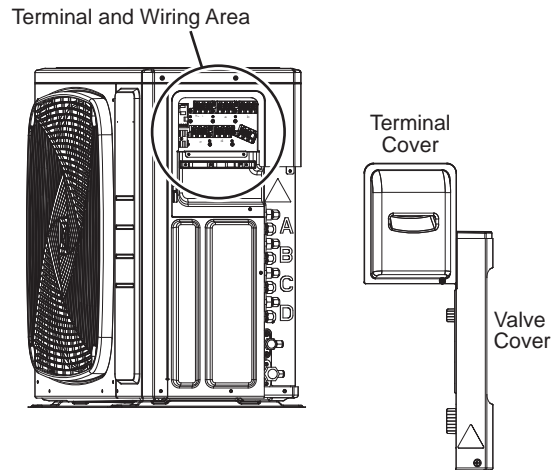
**NOTE:** Failure to follow the wiring guidelines can result in control board damage and communication issues (E7 error code). This includes improper wire size, use of solid core wire, midline splicing and poor terminal connections.

# Installation Instructions

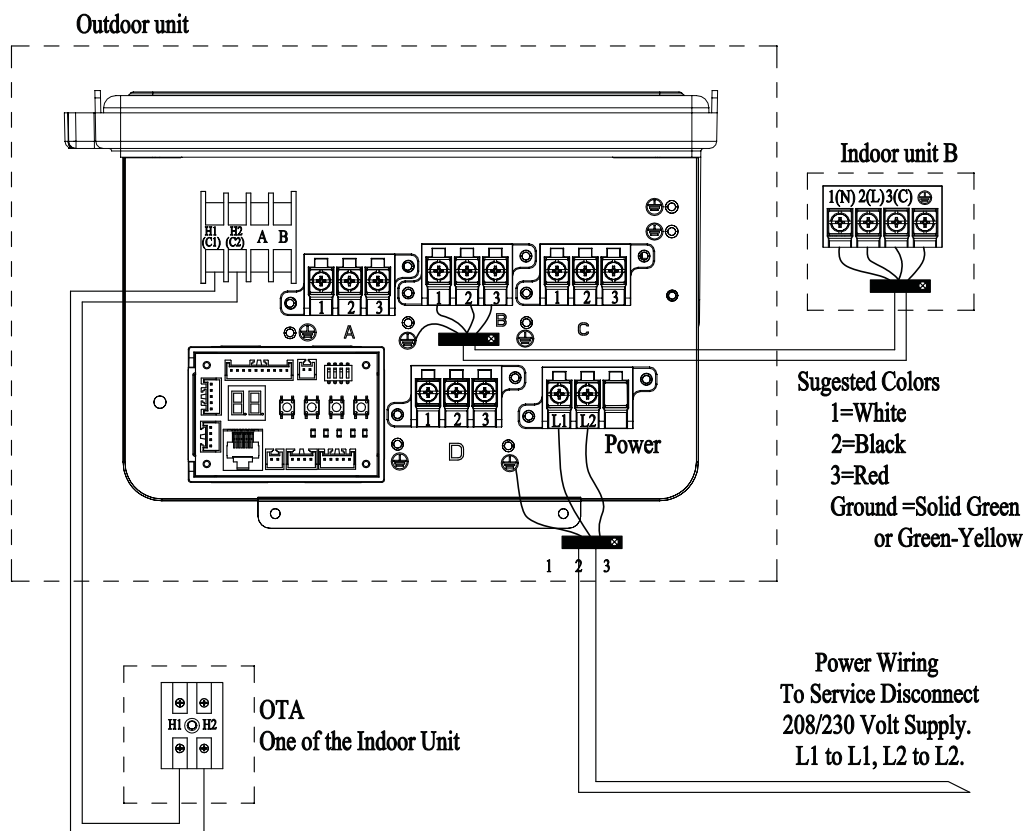
## Step 3 - Installation of the Outdoor Unit (Cont.)

### Wiring Information

**NOTE:** On 4G36ED2B\*\* and 5G42ED2B\*\* models, the side panel needs to be removed in order to access the terminal and wiring area.



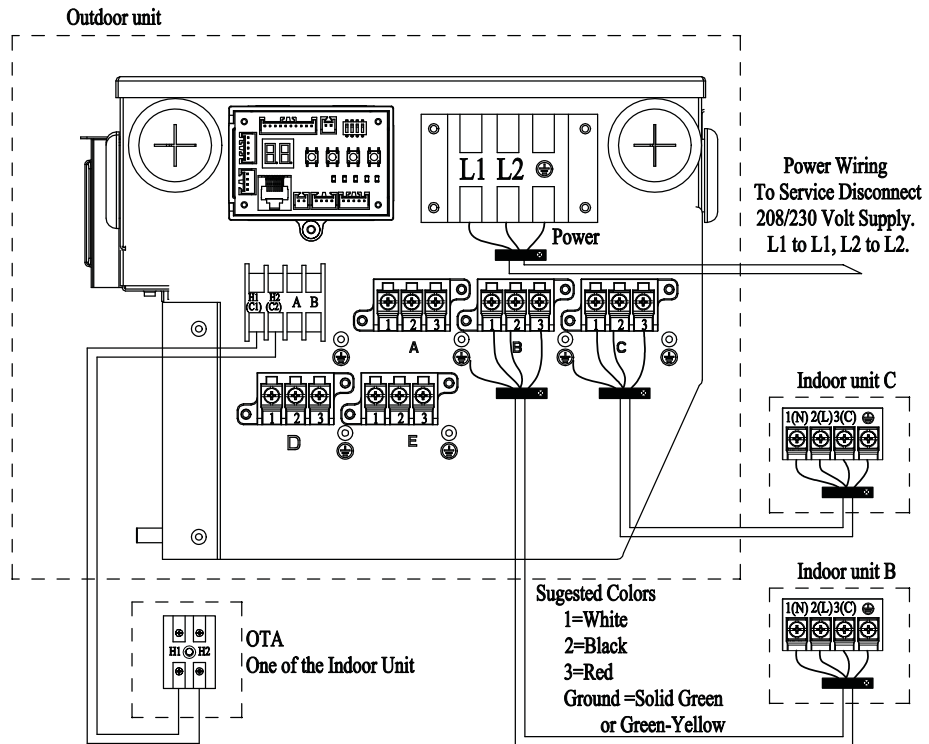
Model:  
2G18AD2B\*\*  
3G24AD2B\*\*  
2G20ED2B\*\*  
3G24ED2B\*\*  
4G36AD2B\*\*



# Installation Instructions

## Step 3 - Installation of the Outdoor Unit (Cont.)

Model:  
4G36ED2B\*\*  
5G42ED2B\*\*



# Installation Instructions

## Step 3 - Installation of the Outdoor Unit (Cont.)

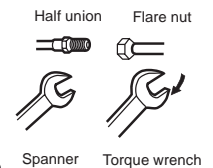
### Refrigerant Charge and Pipe Length Information

#### D. Install Copper Lineset

- Line set sizes are determined by the indoor unit. See indoor spec for information. The outdoor unit ships with port adapters to reduce or enlarge the flare port sizes when needed. If connecting to 24K models with 3/8" & 5/8" ports, adapters must be ordered separately.
- Cut the line set to length.
- Place nut over the pipe and then flare with the R454b flaring tool.  
**NOTE:** Follow standard practices for creating pipe flares. When cutting and reaming the tubing, use caution to prevent dirt or debris from entering the tubing. Remember to place nut over the tubing before flaring.
- To join the line set, directly align the tubing flare to the fitting on the other pipe. Slide the nut onto the fitting and hand tighten.
- Torque the fittings according to the specifications shown in the torque chart below.

| Forced fastening without careful centering will damage the threads and cause a refrigerant leak. |                   |
|--|-------------------|
| Pipe Diameter (∅) / Flare Adapters   | Fastening torque  |
| 1/4"   | 18N.m/13.3Ft.lbs  |
| 3/8"   | 42N.m/30.1Ft.lbs  |
| 1/2"   | 55N.m/40.6Ft.lbs  |
| 5/8"   | 60 N.m/44.3Ft.lbs |

- Two wrenches are required to join the flare connection; one standard wrench and one torque wrench adjusted to the proper settings.
- Repeat the process for attaching the other end of the line set.
- If lineset flare adapters are needed, the female flare reducer should be installed first and torqued to correct setting. Next the flare nut and lineset can be installed and torqued with a back up wrench on the female flare reducer to keep it from moving."



# Installation Instructions

## Step 3 - Installation of the Outdoor Unit (Cont.)

### E. Leak Test

Perform the following steps for EACH line set. The primary service valve has a 5/16 port, an adapter may be necessary.

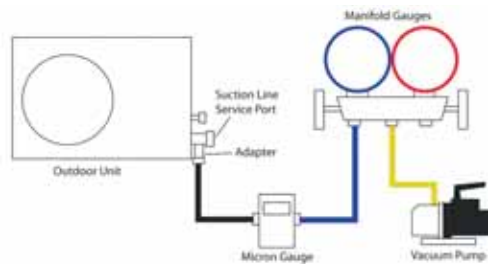
- Remove the cap on the service valve.
- Using a tank of dry nitrogen and approved regulator, charge the system with 150 psig of dry nitrogen using mini-split adapter to connect the valve.
- Check for leaks at the flare fittings using soap bubbles or another detection device. If a leak is detected, make repairs to the fittings and recheck. Proceed if no leaks are detected within 3 minutes.
- Using the same tank/regulator, charge the system to 300 psig.
- Check for leaks as earlier. Proceed if no leaks are detected within 3 minutes.
- Using the same tank/regulator, charge the system to 500 psig.
- Check for leaks as earlier. Keep system pressurized for at least 20 minutes.

**⚠ WARNING** Do not use acetylene, oxygen or compressed air or mixtures containing air, oxygen, or combustible gases for pressure testing. Do not use mixtures of hydrogen containing refrigerant and air above atmospheric pressure for pressure testing as they may become flammable and could result in an explosion. Refrigerant, when used as a trace gas, should only be mixed with dry nitrogen for pressurizing units. Failure to follow these recommendations could result in death or serious injury as well as equipment or property damage.

### F. System Evacuation

**NOTE**– Do not open service valve.

- Remove the suction line cap and attach a micron gauge and vacuum pump. The port is 5/16", an adapter may be needed.
- Evacuate the system to at least 350 microns.
- Close the vacuum pump valve and check the micron gauge. If the gauge rises above 150 microns in 60 seconds, the evacuation is incomplete or there is a leak in the system. If the gauge does not rise above 150 microns in 60 seconds, the evacuation is complete.
- Once evacuation is complete, remove the adapter and hose connection from the suction line port and replaced the cap.
- The Outdoor unit should be powered on during evacuating and releasing refrigerant.



# Installation Instructions

## Step 3 - Installation of the Outdoor Unit (Cont.)

### G. Refrigerant Charging

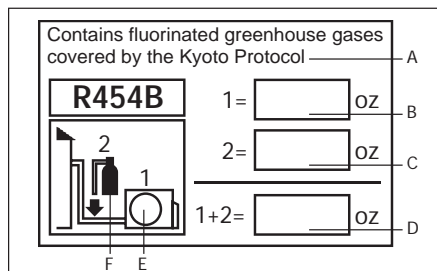
- Add any additional refrigerant after evacuation using a digital scale.

**NOTE:** Charge liquid only.

- Fill out the refrigerant charge label using indelible ink.
- Place the factory refrigerant charge found on the outdoor nameplate in box number 1.
- Place the amount of additional refrigerant added in box number 2.
- Add boxes 1 and 2 together and place the value in the sum box (D).
- Adhere the filled out label in the proximity of the product charging port and under the outside unit valve cover.
- Write amounts on outdoor unit with permanent marker above the charging port, if no sticker found.
- Remove the cap from the liquid line valve. Using a hex wrench, open the valve, then replace and tighten the cap securely to avoid leaks.
- Remove the cap from the suction line valve. Using a hex wrench, open the valve, then replace and tighten the cap securely to avoid leaks.
- Wrap the line set, drain line, and 14/4 AWG wiring starting at the bottom of the bundle with an overlap type wrap until you reach the piping hole.
- Use a sealant to seal the piping hole opening on both sides of the wall in order to prevent drafts, weather, or pests from entering the building.

This product contains fluorinated greenhouse gases covered by the Kyoto Protocol. Do not vent into the atmosphere.

|   |                               |   |
|---|-------------------------------|---|
| Contains fluorinated greenhouse gases covered by the Kyoto Protocol |                               | A |
| <b>R454B</b>  | 1 = <input type="text"/> OZ   | B |
| 2   | 2 = <input type="text"/> OZ   | C |
| 1+2 =   | 1+2 = <input type="text"/> OZ | D |
| F   | E                             |   |



Refrigerant type: R-454B

GWP\* value: 466

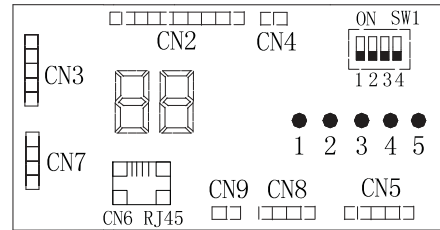
GWP = global warming potential


# Installation Instructions

## Step 4 - Final Check

### Wiring Check Test

Turn off power at the disconnect. Move all dip switches in the SW1 bank to ON. When power is turned on, the LED display will alternate the compressor frequency and CH (check). The system will run through each unit (A, B, C, D, and E), cycling each EEV while testing the wiring. A successful test will be indicated by the corresponding LED displaying a constant green (1=A, 2=B, 3=C, 4=D, 5=E). Mis-wired units will generate an EC on the display, with the corresponding LED flashing green.



| Green LEDs   |            |            |            |            |            |   |
|--|------------|------------|------------|------------|------------|---|
| Display  | 1 (Port A) | 2 (Port B) | 3 (Port C) | 4 (Port D) | 5 (Port E) | Message   |
|  <p>Shows Compressor Speed. Flashing numbers are current faults</p> | OFF        |            |            |            |            | No power to unit. Unit is recently powered on and communication started.  |
|  | ON/OFF     |            |            |            |            | When LED is ON, that indoor unit has built a communication path and will operate. When LED is OFF, there is no indoor unit installed or there is bad communication. |

### Explaining Operation To the End User

- Using the User Manual, explain to the user how to use the air conditioner/heat pump, (the remote controller, adding/removing the air filters, placing or removing the remote controller from the remote control holder, cleaning methods, precautions for operation, etc.)
- Review precautions for operation.
- Recommend that the user read the Operating Instructions carefully.

### UACT32A Central Controller (Optional Accessory)

If installing a central controller, use RS485 communication compliant 16/2 AWG shielded SOOW wire and connect the wiring to terminals C1 and C2 on the outdoor unit terminal block. See section C of Step 3 in this manual for the location of C1 and C2 on the terminal block.

# Installation Instructions

## Installation Checklist

- |  |  |
|--|--|
| <input type="checkbox"/> No gas leak from linesets?  | <input type="checkbox"/> Is the room temperature display accurate?                     |
| <input type="checkbox"/> Are the linesets insulated properly?  | <input type="checkbox"/> No continuity between electrical poles?                       |
| <input type="checkbox"/> Are the connecting wirings of indoor firmly inserted to the terminal block? | <input type="checkbox"/> Are refrigerant lines and electrical wire pairing is correct? |
| <input type="checkbox"/> Is the connecting wiring of indoor and outdoor fixed?                       | <input type="checkbox"/> Supply voltage is within tolerance?                           |
| <input type="checkbox"/> Is condensate draining correctly?   | <input type="checkbox"/> Vacuum Test complete?   |
| <input type="checkbox"/> Is the ground wire securely connected? Is the indoor unit securely fixed?   | <input type="checkbox"/> Extra line length refrigerant added?                          |
| <input type="checkbox"/> Is power source voltage correct according to local code?                    | <input type="checkbox"/> Mounted level and secure?                                     |
| <input type="checkbox"/> Is there any odd noise?   | <input type="checkbox"/> Disconnect within view of outdoor unit?                       |
| <input type="checkbox"/> Does the cooling temperature drop between 20-30°F?                          | <input type="checkbox"/> Electrical disconnect is the correct size?                    |
| <input type="checkbox"/> Does the heating temperature raise between 35-40°F?                         | <input type="checkbox"/> Stop valves are open fully?                                   |
|  | <input type="checkbox"/> Fire extinguisher on hand?                                    |
|  | <input type="checkbox"/> Open sources of ignition extinguished for commissioning?      |

## Maintenance Checklist

- |   |   |
|---|---|
| <input type="checkbox"/> Seasonal coil cleanings (2x year).                                       | <input type="checkbox"/> Inspection/maintenance of line-set insulation. |
| <input type="checkbox"/> Cleaning the outdoor unit air channel and inverter heat sink/fan blades. | <input type="checkbox"/> Removal of insects/foreign debris.             |

# GE Appliances Ductless HVAC Limited Warranty

## GEAppliances.com

Please save your receipt showing the date of original purchase and the date of installation.

For the product models listed on Attachment 1 (the "Product"), this Standard Limited Warranty is provided to the Original Owner of the Product:

| For the Period of:   |   |
|--|---|
| 1 Year Remote Controller Warranty From the date of the original installation   | If the Remote Controller proves to be defective due to improper workmanship and/or material for a period of one (1) year from the date of installation, GE Appliances will provide a new or refurbished controller, as GE Appliances' sole discretion.  |
| 5 Year Limited Parts Warranty From the date of the original installation   | If any parts should prove to be defective due to improper workmanship and/or material for a period of five (5) years from the date of installation, GE Appliances will place any defective parts without charge for the part. Parts used for replacement may be new or refurbished parts, determined at GE Appliances' sole discretion, and provided to your licensed HVAC technician installer.  |
| 10 Year Registered Limited Parts Warranty From the date of the original installation<br><br>(ONLINE REGISTRATION REQUIRED at GEAppliances.com)<br><br>MUST BE A RESIDENTIAL SINGLE FAMILY HOME | If any of the parts should prove defective due to improper workmanship and/or material for <b>a period of ten (10) years from the date of installation</b> , GE Appliances will replace any defective parts without charge for the part. The replacement part is warranted for the remainder of the original ten (10) year warranty period. Parts used for replacement may be new or refurbished parts, determined at GE Appliances' sole discretion, and provided to your licensed HVAC technician installer. This Registered Limited Parts Warranty requires online registration within sixty (60) days from the original date of installation or occupancy.<br><br><b>NON-RESIDENTIAL/COMMERCIAL APPLICATIONS ARE NOT ELIGIBLE FOR THIS REGISTERED LIMITED PARTS WARRANTY.</b> |

## LABOR NOT COVERED

These limited warranties **DO NOT** include labor or any other costs incurred for service, maintenance, repair, removing, replacing, installing, complying with local building or electrical codes, shipping or handling, replacement of the system, compressors or other parts.

## EXCLUDED COMPONENTS

The following components are not covered by this warranty: cabinets, cabinet pieces, air filters, driers, refrigerant, refrigerant line sets, belts, wiring, fuses, oil nozzles, unit accessories and any parts not affecting unit operation.

## WHAT IS THE DATE OF PURCHASE

The "Date of Purchase" is the date the Product is purchased by the Original Owner. The "Date of Installation" is the date that the original installation was completed, and all Product start-up procedures were properly completed and verified on the installer's invoice. If the installation date cannot be verified, then the Date of Installation will either be sixty (60) days after the manufacture date, as determined by the Product's serial number or thirty (30) days from the Date of Purchase. You should keep and be able to provide your original sales receipt from the installer as proof of the Date of Purchase and the Date of Installation. For new construction, the Date of Purchase will be the date of purchase of the residence by the Owner from the builder.

# GE Appliances Ductless HVAC Limited Warranty

## WHO IS COVERED

**Owner occupied:** The “Original Owner” means the original owner (and his or her spouse) of a residential single family where the Product was originally installed.

**Non-Owner occupied:** The “Non-Owner occupied” is defined as a) single family or multi-family residential buildings that are not Owner Occupied, or b) light commercial applications, (such as office buildings, retail establishments, hotels/motels).

For Non-owner occupied, this limited warranty requires that the Product be installed and maintained annually by a licensed HVAC technician (proof of annual maintenance is required).

## HOW CAN YOU GET SERVICE

Contact your licensed HVAC technician installer. All installation and service must be performed by a licensed HVAC technician. Failure to use a licensed HVAC technician for installation of this Product voids all warranty on this Product.

## What GE Appliances Will Not Cover:

- Improper service or installation.
- Damage in shipping.
- Defects other than manufacturing defects (i.e., other than workmanship or materials).
- Damage from misuse, abuse, accident, alteration, lack of proper care and/or regular maintenance
- Damage resulting from floods, fires, wind, lightning, accidents or similar conditions.
- Product that was not installed or serviced by a licensed HVAC technician.
- Labor and related services for repair or installation of the Product.
- A product purchased from an unauthorized online retailer.
- Damage as a result of subjecting Product to an atmosphere with corrosives or high levels of particulates (such as soot, aerosols, fumes, grease).
- Modification, change or alteration of the equipment, except as directed in writing by GE Appliances.
- Use of contaminated or refrigerant not compatible with the unit
- Operation with system components (indoor unit, outdoor unit, and refrigerant control devices) which are not an AHRI match or meet the specifications recommended by GE Appliances.
- A Product sold and/or installed outside of the 50 United States, the District of Columbia, or Canada.
- Batteries for the controller and other accessories provided with the Product for installation (e.g., plastic hose).
- Normal maintenance, such as cleaning of coils, cleaning filters, and lubrication.
- For Product installed in Non-Owner Occupied applications, Product that has not been maintained annually by a licensed HVAC technician (proof required).
- Damage caused by a used or unapproved component or part by GE Appliances (e.g., a used and/or unapproved condenser / air handler).
- Component or parts not provided by GE Appliances.
- Product that has been moved from its original installation to a new residence or building.
- Accident, or neglect or unreasonable use or operation of the equipment including operation of electrical equipment at voltages other than the range specified on the unit nameplate (includes damages caused by brownouts).
- Damage to the product caused by accident, fire, floods or acts of God.
- Incidental or consequential damage caused by possible defects with this product.

# GE Appliances Ductless HVAC Limited Warranty

## LEGAL RIGHTS

Some states and provinces do not allow warranty terms to be subject to registration. In those states and provinces, the 10 year Registered Limited Parts Warranty applies. In addition, if allowed by the law of the state or province where the Product is installed, the subsequent owners of the residence or building may have additional rights or longer warranty terms.

## REGISTERED LIMITED PARTS WARRANTY COVERAGE REQUIREMENTS

- The unit is a GE Appliances branded unit
- The unit is installed in a residential application
- The unit is properly registered at (**GEAppliances.com**) within 60 days after the original date of installation or occupancy.
- The unit is part of a complete AHRI matched system and installed by a state certified or licensed contractor in accordance with the unit installation, operation, and maintenance instructions provided with the unit.
- Indoor and outdoor ductless units are covered only when they are branded GE Appliances and are purchased and installed as a system along with a qualifying unit. (Third party coils are not covered).
- Installation is in compliance with applicable laws, regulations, codes, and ordinances.
- Unit was not ordered via the internet. Proof of purchase may be required.

## EXCLUSION OF IMPLIED WARRANTIES

**EXCEPT TO THE EXTENT PROHIBITED BY APPLICABLE LAW, THIS LIMITED WARRANTY IS EXCLUSIVE AND GIVEN IN LIEU OF ALL OTHER WARRANTIES, EXPRESS OR IMPLIED, INCLUDING BUT NOT LIMITED TO ANY IMPLIED WARRANTY OF MERCHANTABILITY AND FITNESS FOR A PARTICULAR PURPOSE.**

**EXCEPT TO THE EXTENT PROHIBITED BY APPLICABLE LAW, THIS LIMITED WARRANTY IS EXCLUSIVE AND GIVEN IN LIEU OF ALL OTHER WARRANTIES, EXPRESS OR IMPLIED, INCLUDING BUT NOT LIMITED TO ANY IMPLIED WARRANTY OF MERCHANTABILITY AND FITNESS FOR A PARTICULAR PURPOSE.**

SOME STATES DO NOT ALLOW THE EXCLUSION OR LIMITATION OF INCIDENTAL OR CONSEQUENTIAL DAMAGES, OR ALLOW DISCLAIMERS OF IMPLIED WARRANTIES, SO THE ABOVE LIMITATIONS OR EXCLUSIONS MAY NOT APPLY TO THE CUSTOMER. THIS LIMITED WARRANTY GIVES THE CUSTOMER SPECIFIC LEGAL RIGHTS. CUSTOMERS MAY ALSO HAVE OTHER RIGHTS THAT VARY FROM STATE TO STATE.

The remedy provided in this warranty is exclusive and is granted in lieu of all other remedies. This warranty does not cover incidental or consequential damages. Some states and provinces do not allow the exclusion of incidental or consequential damages, so this limitation may not apply to you. Some states and provinces do not allow limitations on how long an implied warranty lasts, so this limitation may not apply to you. This warranty gives you specific legal rights and you may also have other rights which vary by state and province. This warranty covers Products within the 50 United States, the District of Columbia and Canada.

This warranty is provided by:

GE Appliances, a **Haier** company  
Louisville, KY 40225

# GE Appliances Ductless HVAC Limited Warranty

**For US Customers:** This limited warranty is extended to the original purchaser for products purchased for home use within the USA. In Alaska and Hawaii, the limited warranty does not include the costs of shipping units. Some states do not allow the exclusion or limitation of incidental or consequential damages. This warranty gives you specific legal rights, and you may also have other rights which vary from state to state. To know what your legal rights are, consult your local or state consumer affairs office or your state's Attorney General.

**Warrantor: GE Appliances, a Haier company**  
**Louisville, KY 40225**

## ATTACHMENT 1

Product is defined as a GE Appliances branded Ductless Split Units. The Product contains 2 sub-categories of goods: "Indoor and Outdoor Products" and "Selected Installation Products," which are further defined below: "Indoor and Outdoor Products" can further be identified by the following model number descriptions: 1G\*, 2G\*, 3G\*, 4G\*, 5G\*, GA\* GS\*, US\*

Staple your receipt here. Proof of the original purchase date is needed to obtain service under the warranty.

### Record Keeping

Thank you for purchasing this GE Appliances product. This installation manual will help you get the best performance from your new heat pump.

For future reference, record the model and serial number located on the label on the side of your air conditioner/heat pump, and the date of purchase. Staple your proof of purchase to this manual to aid in obtaining warranty service if needed.

To register your new GE Appliances Duct Free system, go to [geappliancesairandwater.com](http://geappliancesairandwater.com) and input the model/serial number information on this page.

\_\_\_\_\_

Model number

\_\_\_\_\_

Serial number

\_\_\_\_\_

Date of purchase

# NOTES

---

# **IMPORTANT**

**Do Not Return This Product To The Store**

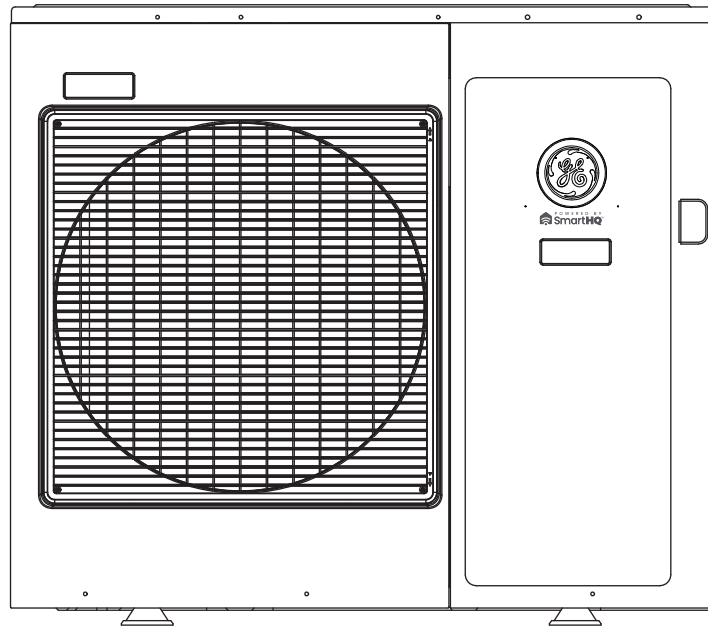
**If you have a problem with this product, please call 1-877-337-3639 for the name and telephone number of the nearest authorized service center.  
DATED PROOF OF PURCHASE REQUIRED FOR WARRANTY SERVICE**



**GE APPLIANCES**

# Installation Manuel

**Unité extérieure multizone  
sans conduits**



# Table des matières

|  |    |
|--|----|
| CONTENU DE L'EMBALLAGE .....   | 2  |
| PLAGE DE FONCTIONNEMENT .....  | 3  |
| INFORMATION DE SÉCURITÉ .....  | 4  |
| CONDITIONS DE FONCTIONNEMENT .....                                       | 7  |
| INSTRUCTIONS D'INSTALLATION .....  | 13 |
| Étape 1 – Vérification et préparation de l'environnement extérieur ..... | 24 |
| Étape 2 – Installation de l'unité intérieure .....                       | 25 |
| Étape 3 – Installation de l'unité extérieure .....                       | 26 |
| Étape 4 - Vérification finale .....                                      | 33 |
| GARANTIE LIMITÉE .....   | 35 |

## Record Keeping

Merci d'acheter ce produit GE Appliances. Ce manuel d'utilisation vous aidera à obtenir le meilleur rendement de votre nouveau climatiseur.

Pour référence ultérieure, inscrivez les numéros de modèle et de série sur l'étiquette située sur le côté de votre climatiseur ainsi que la date d'achat.

Agrafez votre preuve d'achat à ce manuel pour faciliter le service de la garantie en cas de besoin.

Pour enregistrer votre nouveau système sans conduit GE Appliances, allez sur la page [GEAppliances.com/ductless](http://GEAppliances.com/ductless) et entrez les numéros de modèle et de série sur cette page.

\_\_\_\_\_  
Numéro de modèle

\_\_\_\_\_  
Numéro de série

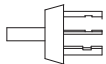
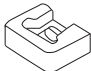

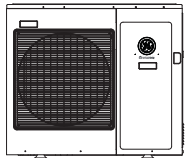
\_\_\_\_\_  
Date d'achat



Ce manuel contient les instructions d'installation pour l'unité extérieure multizone uniquement. Pour l'installation de l'unité intérieure, veuillez vous reporter au manuel d'installation de l'unité intérieure.

## Contenu de l'emballage

### Articles inclus

| No. | Pièce   | Nom des pièces        | Quantité (la plupart des modèles) | Quantité (modèles 5G42ED2B**) |
|-----|---|-----------------------|-----------------------------------|-------------------------------|
| 1   |  | Coude de vidange      | 2                                 | 4                             |
| 2   |  | Coussin en caoutchouc | 4                                 | 4                             |
| 3   |  | Collier de serrage    | 3                                 | 4                             |
| 4   |  | Unité extérieure      | 1                                 | 1                             |

# Plage de fonctionnement

---

Les informations suivantes répertorient la plage de fonctionnement spécifique à chaque modèle.

**2G18AD2B\*\* / 3G24AD2B\*\* /  
4G36AD2B\*\***

Refroidissement: 14°F to 115°F

Chauffage: -4°F to 75°F

**2G20ED2B\*\* / 3G24ED2B\*\* / 4G36ED2B\*\* /  
5G42ED2B\*\***

Refroidissement: 14°F to 115°F

Chauffage: -15°F to 75°F

## REMARQUE:

- L'unité cesse de fonctionner lorsque la température extérieure chute sous -22 °F (-30 °C). L'unité redémarre automatiquement lorsque la température repasse au-dessus de la limite de basse température. Le code d'erreur « Lo » s'affiche sur l'écran de diagnostic extérieur.
- Pour obtenir un fonctionnement plus efficace, faites fonctionner l'unité intérieure avec la vitesse du ventilateur en mode automatique. En mode refroidissement, utilisez une température de consigne de 78 °F (25 °C) ou plus. En mode chauffage, utilisez une température de consigne de 73 °F (22,5 °C) ou moins.
- Il est recommandé de disposer d'une ou plusieurs sources de chauffage secondaires si la température tombe en dessous de la plage de fonctionnement.

# Consignes de sécurité importantes

## **⚠ AVERTISSEMENT**

**Pour votre sécurité, les renseignements dans ce manuel doivent être observés afin de minimiser le risque d'incendie, de décharge électrique ou de blessure.**

- Utilisez cet équipement uniquement aux fins auxquelles il est fait mention dans ce manuel d'utilisation.
- Avant son utilisation, ce climatiseur doit être installé correctement en conformité avec les instructions d'installation.
- Tout le câblage doit présenter des valeurs nominales compatibles avec l'alimentation électrique spécifiée sur la plaque signalétique. Utilisez seulement du fil de cuivre.
- Toute la partie électrique de l'installation doit être exécutée par un électricien agréé selon les codes de l'électricité local et national.

**Si une réparation exige de pénétrer dans le système de frigorigène étanche, la réglementation fédérale impose de faire réaliser le travail par un technicien de Classe II ou détenant une certification universelle.**

- Tous les climatiseurs contiennent des réfrigérants qui, en vertu de la législation fédérale et/ou locale, doivent être retirés avant la mise au rebut du produit. Si vous vous débarrassez d'un produit qui contient un frigorigène, informez-vous auprès de l'organisme responsable d'en disposer.
- Ces systèmes de thermopompe R454B exigent que les entrepreneurs et les techniciens utilisent des outils, des équipements et des normes de sécurité approuvés pour ce type de réfrigérant.
- N'utilisez PAS d'équipement certifié pour réfrigérants R22, R32 ou R410A uniquement.

## **⚠ AVERTISSEMENT**

**RISQUE DE CHOC ÉLECTRIQUE. Peut occasionner une blessure ou la mort.**

- Une mise à la terre adéquate est essentielle avant de brancher l'alimentation électrique ou de charger le réfrigérant.
- Coupez toutes les sources d'alimentation électrique à l'appareil avant de procéder à une réparation ou un entretien.
- Le câblage de bâtiment en aluminium peut présenter des problèmes particuliers, veuillez consulter un électricien agréé.
- Les conditions environnantes (température ambiante, lumière directe du soleil et eau de pluie) doivent être remarquées lors du câblage électrique et des mesures de protection efficaces prises.
- Le circuit de dérivation dédié doit être utilisé et un protecteur de fuite avec une capacité suffisante doit être installé.
- Réparez ou remplacez immédiatement tout câblage électrique usé ou autrement endommagé. N'utilisez pas un câblage qui présente des fissures ou des marques d'abrasion sur sa longueur ou l'une de ses extrémités.
- Même lorsque l'appareil se trouve à la position STOP (arrêt), un courant subsiste aux commandes électriques.
- Un câble de fil de cuivre conforme aux normes locales doit être utilisé comme fil de ligne électrique et de connecteur.
- L'unité intérieure et l'unité extérieure doivent être mises à la terre de manière fiable.
- Le câblage de l'unité extérieure doit être effectué en premier, puis de l'unité intérieure. Le climatiseur ne peut être mis sous tension qu'après le raccordement du câblage et des tuyaux.

## **⚠ AVERTISSEMENT**

**RISQUE D'INCENDIE. Peut occasionner une blessure ou la mort.**

- Abstenez-vous d'entreposer ou d'utiliser des matières combustibles, de l'essence ou d'autres vapeurs ou liquides inflammables à proximité de cet appareil ou de tout autre.

## **⚠ ATTENTION**

- N'utilisez pas un cordon de rallonge avec ce système.
- Le câblage de bâtiment en aluminium peut présenter des problèmes particuliers, veuillez consulter un électricien agréé.
- Si le système de détection de fuites est installé sur l'appareil, l'appareil doit être alimenté sauf pour l'entretien.

# LISEZ ET CONSERVEZ CES INSTRUCTIONS

# Consignes de sécurité importantes

Pour obtenir de l'aide, visitez le site **GEAppliancesAirandWater.com** ou appelez le service d'assistance technique à l'adresse 1.844.487.9443

## AVANT DE COMMENCER

**Veillez lire toutes ces instructions attentivement.**

- **IMPORTANT** — Conservez ces instructions à l'usage de l'inspecteur local.
- **IMPORTANT** — Observez tous les codes et ordonnances en vigueur.
- **Note à l'installateur** – Assurez-vous de laisser ces instructions au consommateur.
- **Note au consommateur** - Conservez ces instructions pour référence ultérieure.
- **Niveau de compétence** – Un technicien certifié agréé (pour gérer le réfrigérant, la récupération, etc.) et un électricien qualifié sont requis pour l'installation et l'entretien de ce système de pompe à chaleur split
- L'exactitude de l'installation est la responsabilité de l'installateur.
- La garantie ne couvre pas les défauts du produit causés par une installation inadéquate.
- Pour votre sécurité, ce produit doit être correctement mis à la terre.
- Les dispositifs de protection (fusibles ou disjoncteurs) admissibles pour l'installation sont spécifiés sur la plaque signalétique de chaque unité.
- Si une réparation exige de pénétrer dans le système de frigorigène étanche, la réglementation fédérale impose de faire réaliser le travail par un technicien de Classe II ou détenant une certification universelle.

### ⚠ AVERTISSEMENT

- Ce produit n'est pas destiné à être utilisé par des personnes (y compris des enfants) dont les capacités physiques, sensorielles ou mentales sont réduites, ou qui manquent d'expérience et de connaissances, à moins qu'elles n'aient reçu une surveillance ou des instructions concernant l'utilisation de l'appareil par une personne responsable de leur sécurité.
- Les enfants doivent être surveillés afin qu'ils ne jouent pas avec ce produit
- Assurez-vous que l'appareil est installé conformément aux codes de câblage électrique locaux et nationaux.
- Pour les dimensions de l'espace nécessaire à l'installation correcte de l'appareil, y compris les distances minimales admissibles par rapport aux structures adjacentes, reportez-vous à ce document.
- Assurez-vous que seuls les appareils approuvés sont raccordés ensemble et que les dimensions de toutes les conduites de frigorigène ainsi que les exigences de charge de frigorigène sont respectées pour éviter une surcharge de la pression de service.
- Raccordez SEULEMENT les appareils comportant une étiquette de frigorigène identique.
- Tout dommage d'alimentation électrique doit être remplacé par le fabricant, son agent gestionnaire ou des personnes possédant une qualification semblable pour éviter les risques.
- Des dispositifs de sectionnement doivent être incorporés dans le câblage fixe conformément aux codes électriques en vigueur. L'intensité nominale (A) du dispositif de sectionnement doit être au moins égale à 115 % de l'intensité admissible minimale indiquée sur la plaque signalétique de ce produit. Le dispositif de sectionnement doit être installé à la vue et facilement accessible. Reportez-vous aux codes électriques local et national pour toute exigence supplémentaire s'appliquant à votre région d'installation.

### Sensibilisation à la sécurité

1. **Procédures** : L'exploitation doit être effectuée conformément aux procédures contrôlées afin de minimiser la probabilité de risques.
2. **Zone** : La zone doit être divisée et isolée de manière appropriée, et le fonctionnement dans un espace clos doit être évité. Avant la mise en marche du système frigorifique ou avant le fonctionnement à chaud, la ventilation ou l'ouverture de la zone doit être garantie.
3. **Inspection du site** : Le réfrigérant doit être vérifié.
4. **Lutte contre l'incendie** : Un extincteur et un panneau « Il est interdit de fumer » doivent être placés dans la zone où se déroule l'installation. La zone d'installation doit rester exempte de sources d'incendie/d'inflammation pendant l'installation.

# LISEZ ET CONSERVEZ CES INSTRUCTIONS

# Consignes de sécurité importantes

## Inspection du déballage

**Unité extérieure :** L'équipement de détection de fuite doit se rendre jusque dans la boîte d'emballage de l'unité extérieure pour vérifier si le réfrigérant fuit. Si la fuite de réfrigérant est identifiée, l'installation n'est pas autorisée et l'unité extérieure doit être livrée au service d'entretien.

## Inspection de l'environnement d'installation

1. Inspection de l'environnement au lieu d'installation : L'unité extérieure du climatiseur à réfrigérants inflammables ne peut pas être installée à l'intérieur d'une pièce fermée réservée.
2. Les alimentations électriques, les interrupteurs ou autres objets à haute température tels que la source d'allumage et le réchauffeur d'huile doivent être évités sous l'unité intérieure.
3. L'alimentation électrique doit être fournie avec un fil de terre et être mise à la terre de manière fiable.
4. L'utilisateur doit vérifier à l'avance si les conduites d'eau/d'électricité/de gaz sont cachées dans le mur à des endroits susceptibles d'être percés avec une perceuse électrique. Il est recommandé d'utiliser autant que possible les trous traversants réservés.

## Principes de sécurité de l'installation

1. Une ventilation favorable doit être maintenue sur le lieu d'installation (portes et fenêtres ouvertes).
2. Les sources de chaleur à feu ouvert ou à haute température (y compris le soudage, le fumage et les fours) supérieures à 548 °F (287 °C) ne sont pas autorisées dans le périmètre du réfrigérant inflammable.
3. Des mesures antistatiques doivent être prises, telles que le port de vêtements et de gants en coton.
4. Le lieu d'installation doit être pratique pour l'installation ou l'entretien et ne doit pas être adjacent à une source de chaleur et un environnement inflammable et combustible.
5. En cas de fuite de réfrigérant de l'unité intérieure pendant l'installation, le robinet de l'unité extérieure doit être fermé immédiatement, et les fenêtres doivent être ouvertes, et tout le personnel doit être évacué. Une fois la fuite de réfrigérant manipulée, l'environnement intérieur doit être soumis à une détection de concentration. Aucune manipulation supplémentaire n'est autorisée tant que le niveau de sécurité n'est pas atteint.
6. Si le produit est endommagé, il doit être livré au point de maintenance. Le soudage de conduites de réfrigérant sur le site de l'utilisateur n'est pas autorisé.
7. La position du climatiseur doit être commode pour l'installation ou l'entretien. Les barrières doivent être évitées autour de l'entrée ou la sortie d'air de l'unité intérieure/extérieure, et l'appareil électrique, les interrupteurs d'alimentation, les prises, les objets de valeur et les produits à haute température dans la portée des deux côtés de l'unité intérieure doivent être évités.

## ATTENTION

- Le réfrigérant ne doit être ajouté ou retiré que par un technicien agréé en climatisation.
- Avant d'ajouter du réfrigérant supplémentaire, purger l'air des tuyaux de réfrigérant et de l'unité intérieure à l'aide d'une pompe à vide, puis charger du réfrigérant supplémentaire.

**LISEZ ET CONSERVEZ CES INSTRUCTIONS**

# Conditions de fonctionnement

## Exigences relatives au fonctionnement, à l'entretien et à l'installation d'appareils utilisant des réfrigérants inflammables

### ⚠ AVERTISSEMENT

- N'utilisez pas de moyens visant à accélérer le dégivrage ou le nettoyage autres que ceux recommandés par le fabricant.
- Le produit doit être entreposé dans une pièce exempte de sources d'allumage qui fonctionnent sans interruption (par exemple : flammes nues, appareil d'utilisation du gaz ou radiateur électrique en fonctionnement).
- Abstenez-vous de percer ou de brûler.
- Sachez que les réfrigérants peuvent être inodores.



Avertissement : Matériaux inflammables, classe de réfrigérant selon ISO 817



Manuel d'utilisation : Instructions d'utilisation



Lisez le manuel d'utilisation



Indicateur d'entretien; lire le manuel technique

### Généralités

- Pendant l'installation, en raison des tuyaux de réfrigérant étendus, du **RÉFRIGÉRANT** supplémentaire peut être chargé. Veuillez remplir l'étiquette de **RÉFRIGÉRANT** fournie dans le manuel et la coller près du marquage de l'appareil.
- La manipulation, l'installation, le nettoyage, l'entretien et la mise au rebut du réfrigérant doivent être conformes à la réglementation locale et aux instructions.
- L'entretien ne doit être effectué que selon les recommandations du fabricant.
- Les espaces où des tuyaux de réfrigérant sont autorisés doivent satisfaire les exigences suivantes :
  - le matériel de tuyauterie, le cheminement des tuyaux et l'installation doivent inclure une protection contre les dommages physiques pendant le fonctionnement et l'entretien, et être conformes aux codes et normes nationaux et locaux, tels que **ASHRAE 15, IAPMO Uniform Mechanical Code, ICC International Mechanical Code** ou **CSA B52**. Tous les joints sur site doivent être accessibles pour inspection avant d'être couverts ou fermés;
  - l'installation de tuyauterie doit être réduite au minimum;
  - les connexions mécaniques réalisées au niveau des joints entre les parties du système frigorifique pendant l'installation doivent être accessibles à des fins d'entretien;
  - les dispositifs de protection, la tuyauterie et les raccords doivent être protégés autant que possible contre les effets néfastes de l'environnement, par exemple l'accumulation d'eau et de gel dans les tuyaux de décharge ou l'accumulation de saleté et de débris;
  - la tuyauterie des systèmes frigorifiques doit être conçue et installée de manière à minimiser la probabilité d'un choc hydraulique endommageant le système;
  - des précautions doivent être prises pour éviter des vibrations ou des pulsations excessives.

# Conditions de fonctionnement

## Exigences relatives au fonctionnement, à l'entretien et à l'installation d'appareils utilisant des réfrigérants inflammables

### Généralités (suite)

- une fois achevée, la tuyauterie du système bibloc réalisée sur le site doit être mise à l'essai sous pression avec un gaz inerte, puis à vide avant le chargement du réfrigérant, conformément aux exigences suivantes :
  - La pression d'essai minimale pour le côté basse pression du système doit être la pression de calcul du côté basse pression et la pression d'essai minimale pour le côté haute pression du système doit être la pression de calcul du côté haute pression, à moins que le côté haute pression du système ne puisse être isolé du côté basse pression du système, auquel cas l'ensemble du système doit être soumis à un essai à la pression de calcul du côté basse pression.
  - Après le retrait de la source de pression, la pression d'essai doit être maintenue pendant au moins une (1) heure sans diminution de pression indiquée par le manomètre d'essai, la résolution du manomètre ne dépassant pas 5 % de la pression d'essai.
  - Pendant l'essai d'évacuation, après avoir atteint un niveau de vide spécifié dans le manuel ou inférieur, le système frigorifique doit être isolé de la pompe à vide et la pression ne doit pas dépasser 1500 microns dans les 10 minutes. Le niveau de pression à vide doit être spécifié dans le manuel et doit être le moindre de 500 microns ou de la valeur requise pour la conformité avec les codes et normes nationaux et locaux, qui peuvent varier selon les bâtiments résidentiels, commerciaux et industriels.
- les joints de réfrigérants réalisés sur le site à l'intérieur doivent être soumis à un essai d'étanchéité répondant aux exigences suivantes : La méthode d'essai doit avoir une sensibilité de 5 grammes de réfrigérant par an ou mieux, sous une pression d'au moins 0,25 fois la pression maximale admissible. Aucune fuite ne doit être détectée.

### Qualification des travailleurs

Le manuel doit contenir des informations spécifiques sur la qualification requise du personnel de travail pour les opérations de maintenance, d'entretien et de réparation. Toute procédure de travail touchant les mesures de sécurité ne doit être effectuée que par des personnes compétentes.

**Voici quelques exemples de ces procédures de travail :**

- rupture dans le circuit frigorifique;
- ouverture des composants scellés;
- ouverture des enceintes ventilées.

Les personnes compétentes sont formées par les organismes nationaux de formation ou les fabricants agréés pour enseigner les normes de compétence nationales pertinentes qui peuvent être fixées par la législation. La compétence acquise doit être documentée par un certificat.

### Informations sur l'entretien

Avant de commencer à travailler sur les systèmes contenant des **RÉFRIGÉRANTS INFLAMMABLES**, des contrôles de sécurité sont nécessaires pour s'assurer que le risque d'inflammation est réduit au minimum. Pour la réparation du **SYSTÈME FRIGORIFIQUE**, les exigences ci-dessous doivent être satisfaites avant toute intervention sur le système :

- Les travaux doivent être entrepris selon une procédure contrôlée afin de minimiser le risque de présence de gaz ou de vapeur inflammable pendant leur exécution.
- Tout le personnel d'entretien et les autres personnes travaillant dans la zone doivent être informés de la nature des travaux effectués. Les travaux dans des espaces confinés doivent être évités.
- La zone doit être vérifiée avec un détecteur de réfrigérant approprié avant et pendant le travail, afin de s'assurer que le technicien est conscient de la présence d'atmosphères potentiellement toxiques ou inflammables. Assurez-vous que l'équipement de détection de fuite utilisé est adapté à une utilisation avec tous les réfrigérants applicables, c'est-à-dire anti-étincelles, correctement scellé ou intrinsèquement sûr.
- Si des travaux à chaud doivent être effectués sur l'équipement frigorifique ou toute pièce associée, un équipement d'extinction d'incendie approprié doit être disponible à portée de main. Un extincteur à poudre sèche ou à CO2 doit être présent à proximité de la zone de chargement.

# Conditions de fonctionnement

## Exigences relatives au fonctionnement, à l'entretien et à l'installation d'appareils utilisant des réfrigérants inflammables

### Informations sur l'entretien (suite)

- Aucune personne effectuant des travaux relatifs à un **SYSTÈME FRIGORIFIQUE** qui implique l'exposition d'un ouvrage de tuyauterie ne doit utiliser des sources d'inflammation de telle manière que cela puisse entraîner un risque d'incendie ou d'explosion. Toutes les sources d'inflammation possibles, y compris l'allumage de cigarettes, doivent être maintenues suffisamment loin du site d'installation, de réparation, de retrait et d'élimination, à l'endroit duquel du réfrigérant peut éventuellement être libéré dans l'espace environnant. Avant de commencer le travail, la zone autour de l'équipement doit être inspectée pour s'assurer qu'il n'y a pas de risques d'inflammabilité ou d'allumage. Des écriteaux « Interdiction de fumer » doivent être affichés.
- S'assurer que la zone est à l'air libre ou qu'elle est adéquatement ventilée avant de pénétrer dans le système ou d'effectuer des travaux à chaud. Un certain degré de ventilation doit se poursuivre pendant la période où les travaux sont effectués. La ventilation doit disperser en toute sécurité tout réfrigérant libéré et de préférence l'expulser vers l'extérieur dans l'atmosphère.
- Lorsque des composants électriques sont changés, ils doivent être adaptés à l'usage prévu et aux spécifications correctes. Les directives d'entretien et de réparation du fabricant doivent être respectées en tout temps. En cas de doute, consultez le service technique du fabricant pour obtenir de l'aide.
- Les vérifications suivantes doivent être appliquées aux installations utilisant des **RÉFRIGÉRANTS INFLAMMABLES** :
  - le marquage de l'équipement continue d'être visible et lisible. Les marquages et les écriteaux illisibles doivent être corrigés;
- les tuyaux ou les composants frigorifiques sont installés dans un endroit où ils ne risquent pas d'être exposés à une substance susceptible de corroder les composants contenant du réfrigérant, à moins que les composants ne soient construits en matériaux intrinsèquement résistants à la corrosion ou convenablement protégés contre cette corrosion.
  - La réparation et l'entretien des composants électriques doivent comprendre des vérifications de sécurité initiales et des procédures d'inspection des composants. S'il existe un défaut susceptible de compromettre la sécurité, aucune alimentation électrique ne doit être raccordée au circuit tant qu'il n'a pas été remédié de manière satisfaisante. Si le défaut ne peut pas être corrigé immédiatement mais qu'il est nécessaire de poursuivre l'opération, une solution temporaire adéquate doit être utilisée. Cette information doit être signalée au propriétaire de l'équipement afin que toutes les parties en soient informées.
- Les vérifications de sécurité initiales doivent s'assurer :
  - que les condensateurs sont déchargés; cela doit être fait de manière sûre pour éviter toute possibilité d'étincelles;
  - qu'aucun composant électrique et câblage sous tension ne soient exposés lors de la charge, de la récupération ou de la purge du système;
  - qu'il y a continuité du chemin de terre.

### Réparations de composants scellés, de composants à sécurité intrinsèque

- Les composants électriques scellés doivent être remplacés.
- Les composants à sécurité intrinsèque doivent être remplacés.
- Remplacer les composants uniquement par des pièces spécifiées par le fabricant. D'autres pièces peuvent provoquer l'inflammation du réfrigérant dans l'atmosphère en raison d'une fuite.

### Câblage

Vérifiez que le câblage ne sera pas soumis à l'usure, à la corrosion, à une pression excessive, à des vibrations, à des bords tranchants ou à tout autre effet environnemental indésirable. La vérification doit également tenir compte des effets du vieillissement ou des vibrations continues provenant de sources telles que les compresseurs ou les ventilateurs.

# Conditions de fonctionnement

## Exigences relatives au fonctionnement, à l'entretien et à l'installation d'appareils utilisant des réfrigérants inflammables

### Détection de réfrigérants inflammables

- En aucun cas, des sources potentielles d'inflammation ne doivent être utilisées dans la recherche ou la détection de fuites de réfrigérant. On ne doit pas utiliser de lampe haloïde (ou tout autre détecteur utilisant une flamme nue).
  - Les méthodes de détection des fuites suivantes sont jugées acceptables pour tous les systèmes frigorifiques.
    - Des détecteurs électroniques de fuites peuvent être utilisés pour détecter les fuites de réfrigérant, mais dans le cas de RÉFRIGÉRANTS INFLAMMABLES, la sensibilité peut ne pas être adéquate ou nécessiter un nouvel étalonnage. (Le matériel de détection doit être étalonné dans une zone exempte de réfrigérant.) S'assurer que le détecteur n'est pas une source potentielle d'inflammation et qu'il est adapté au réfrigérant utilisé. L'équipement de détection des fuites doit être réglé à un pourcentage de la limite inférieure d'inflammabilité du réfrigérant et doit être étalonné en fonction du réfrigérant utilisé, et le pourcentage approprié de gaz (25 % maximum) est confirmé.
    - Les liquides de détection de fuites peuvent également être utilisés avec la plupart des réfrigérants, mais l'utilisation de détergents contenant du chlore doit être évitée car le chlore peut réagir avec le réfrigérant et corroder les canalisations en cuivre.
- REMARQUE** : Exemples de liquides de détection de fuites :
- méthode des bulles;
  - agents de la méthode par fluorescence
- Si une fuite est suspectée, toutes les flammes nues doivent être enlevées/éteintes.
  - Si une fuite de réfrigérant est détectée nécessitant un brasage, tout le réfrigérant doit être récupéré du système ou isolé (au moyen de robinets d'arrêt) dans une partie du système éloignée de la fuite. Le retrait du réfrigérant doit être effectué conformément au manuel.

### Retrait et évacuation

- Lorsqu'il faut s'introduire dans le circuit de réfrigérant pour effectuer des réparations – ou à toute autre fin – les procédures conventionnelles doivent être utilisées. Cependant, pour les réfrigérants inflammables, il est important de suivre les meilleures pratiques, car l'inflammabilité doit être prise en compte. La procédure suivante doit être respectée :
  - a) retirer le réfrigérant en toute sécurité conformément aux réglementations locales et nationales;
  - b) purger le circuit avec un gaz inerte;
  - c) ouvrir le circuit par découpe ou brasage.
- La charge de réfrigérant doit être récupérée dans les bouteilles de récupération appropriées si la ventilation n'est pas autorisée par les codes locaux et nationaux. Pour les appareils contenant des réfrigérants inflammables, le système doit être purgé avec de l'azote exempt d'oxygène afin de rendre l'appareil sûr pour les réfrigérants inflammables. Il peut être nécessaire de répéter ce processus plusieurs fois.
- L'air comprimé ou l'oxygène ne doivent pas être utilisés pour purger les systèmes frigorifiques.

### Procédures de charge

- En plus des procédures de charge conventionnelles, les exigences suivantes doivent être respectées.
  - S'assurer que la contamination de différents réfrigérants ne se produit pas lors de l'utilisation de l'équipement de charge. Les flexibles ou conduites doivent être aussi courts que possible pour réduire au minimum la quantité de réfrigérant qu'ils contiennent.
  - Les bouteilles doivent être maintenues dans une position appropriée conformément aux instructions.
  - S'assurer que le **SYSTÈME FRIGORIFIQUE** est mis à la terre avant de charger le système frigorifique.
  - Étiquetez le système lorsque la charge est terminée (si ce n'est pas déjà fait).
  - Une extrême prudence est requise pour ne pas trop remplir le **SYSTÈME FRIGORIFIQUE**.
- Avant de recharger le système, celui-ci doit être soumis à un essai de pression avec le gaz de purge approprié. Le système doit être soumis à un essai d'étanchéité à la fin de la charge, mais avant la mise en service. Un essai d'étanchéité de suivi doit être effectué avant de quitter le site.

# Conditions de fonctionnement

## Exigences relatives au fonctionnement, à l'entretien et à l'installation d'appareils utilisant des réfrigérants inflammables

### La Mise Hors Service

– Avant d'effectuer cette procédure, il est essentiel que le technicien connaisse parfaitement l'équipement dans tous ses détails. Il est recommandé de récupérer tous les réfrigérants en toute sécurité. Avant l'exécution de la tâche, un échantillon d'huile et de réfrigérant doit être prélevé au cas où une analyse serait nécessaire avant la réutilisation du réfrigérant récupéré. Il est essentiel que l'alimentation électrique soit disponible avant de commencer la tâche.

- a) Familiarisez-vous avec l'équipement et son fonctionnement.
- b) Isolez électriquement le système.
- c) Avant de tenter la procédure, assurez-vous que :
  - l'équipement de manutention mécanique est disponible, au besoin, pour manipuler les bouteilles de réfrigérant;
  - tous les équipements de protection individuelle sont disponibles et utilisés correctement;
  - le processus de recouvrement est supervisé en tout temps par une personne compétente;
  - l'équipement de récupération et les bouteilles sont conformes aux normes appropriées.
- d) Pompez le système de réfrigération, si possible.
- e) S'il est impossible de faire le vide, fabriquez un collecteur pour que le réfrigérant puisse être évacué des différentes parties du système.
- f) Assurez-vous que la bouteille est située sur la balance avant la récupération.
- g) Démarrez la machine de récupération et faites-la fonctionner conformément aux instructions.
- h) Ne remplissez pas trop les bouteilles (pas plus de 80 % du volume de liquide).
- i) Ne dépassez pas la pression de service maximale de la bouteille, même temporairement.
- j) Lorsque les bouteilles ont été remplies correctement et que le processus est terminé, assurez-vous que les bouteilles et l'équipement sont retirés du site rapidement et que tous les robinets d'isolement de l'équipement sont fermés.
- k) Le réfrigérant récupéré ne doit pas être chargé dans un autre SYSTÈME FRIGORIFIQUE à moins qu'il n'ait été nettoyé et vérifié.

### Étiquetage

– L'équipement doit afficher une étiquette indiquant qu'il a été mis hors service et vidé de son réfrigérant. L'étiquette doit être datée et signée. Pour les appareils contenant **DES RÉFRIGÉRANTS INFLAMMABLES**, assurez-vous que l'équipement comporte des étiquettes indiquant qu'il contient des **RÉFRIGÉRANTS INFLAMMABLES**.

# Conditions de fonctionnement

## Exigences relatives au fonctionnement, à l'entretien et à l'installation d'appareils utilisant des réfrigérants inflammables

### Récupération

- Lors du retrait du réfrigérant d'un système, que ce soit pour l'entretien ou la mise hors service, il est recommandé que tous les réfrigérants soient retirés en toute sécurité.
- Lors du transfert du réfrigérant dans des bouteilles, s'assurer que seules des bouteilles de récupération de réfrigérant appropriées sont utilisées. S'assurer que le nombre correct de cylindres pour maintenir la charge totale du circuit est disponible. Toutes les bouteilles à utiliser sont désignées pour le réfrigérant récupéré et étiquetées pour ce réfrigérant (c'est-à-dire des bouteilles spéciales pour la récupération du réfrigérant). Les bouteilles doivent être équipées d'une soupape de décharge et de robinets d'arrêt associés en bon état de fonctionnement. Les bouteilles de récupération vides sont évacuées et, si possible, refroidies avant la récupération.
- L'équipement de récupération doit être en bon état de fonctionnement et comporter un ensemble d'instructions concernant l'équipement disponible, et il doit être adapté à la récupération de tous les réfrigérants appropriés, y compris, le cas échéant, les **RÉFRIGÉRANTS INFLAMMABLES**. De plus, un jeu de balances calibrées doit être disponible et en bon état de fonctionnement. Les flexibles doivent être équipés de raccords rapides étanches et en bon état. Avant d'utiliser la machine de récupération, vérifier qu'elle est en bon état de fonctionnement, qu'elle a été correctement entretenue et que tous les composants électriques associés sont scellés pour éviter tout allumage en cas de libération de réfrigérant. Consulter le fabricant en cas de doute.
- Le réfrigérant récupéré doit être retourné au fournisseur de réfrigérant dans la bouteille de récupération appropriée, et le bordereau de transfert de déchets correspondant doit être établi. Ne pas mélanger les réfrigérants dans les unités de récupération et surtout pas dans les bouteilles.
- Si les compresseurs ou les huiles de compresseur doivent être retirés, s'assurer qu'ils ont été évacués à un niveau acceptable pour s'assurer qu'il ne reste pas de **RÉFRIGÉRANT INFLAMMABLE** dans le lubrifiant. Le processus d'évacuation doit être effectué avant le retour du compresseur aux fournisseurs. Seul le chauffage électrique du corps du compresseur doit être utilisé pour accélérer ce processus. Lorsque l'huile est vidangée d'un système, cela doit être effectué en toute sécurité.

# Instructions d'installation

## Outils nécessaires pour l'installation

- 5/8» (16mm), 7/8» (22mm), 1» (25mm) ou clé réglable
  - Ruban adhésif\*
  - Bride de câble de conduit 1/2 po\*
  - Tournevis à tête cruciforme no 2
  - Perceuse
  - Outil à évaser R454b
  - Clé hexagonale
  - Scie-cloche 2 1/4 po
  - Isolant\*
  - Balance de réfrigérant
  - Niveau
  - Manomètre de pression d'admission définir
  - Ruban à mesurer
  - Microvacuomètre
  - Adaptateur « mini-split » (5/16 po F à 1/4 po M)
  - Azote\*
  - Coupe-tube
  - Tube PVC (facultatif)
  - Couteau utilitaire
  - Alésoir
  - Bride de tube (L.S.) et vis
  - Scellant, non expansif (pour orifice de tuyauterie)
  - Solution d'eau savonneuse\* ou détecteur de fuite de gaz
  - Localisateur de montants
  - Clé dynamométrique
  - Pompe à vide
  - Pincés à dénuder
  - Tous les outils, les appareils de mesure et les appareils d'essai HVAC habituels et usuels
- \* consommables

## Fourni par l'installateur

**Jeu de tuyaux de réfrigérant : Pour le dimensionnement des tuyaux, se reporter à la plaque signalétique de l'unité extérieure**

- Câble toronné non blindé en cuivre SOOW de calibre 14/4 AWG
- Réfrigérant R454B (si une charge supplémentaire est nécessaire, voir la section suivante)
- Isolation de la conduite de réfrigérant
- Tube PVC (facultatif)
- Collier de serrage pour tuyau de vidange du condensat
- Câble toronné blindé SOOW de calibre 16/2 AWG pour la communication à grande vitesse
- Quincaillerie pour fixer l'unité extérieure à la base
- Support et base de l'unité
- Quincaillerie de montage au support
  - Suggestion : M10\*30 (le diamètre du boulon est M10 ; la longueur du boulon est 30 mm)
- Cordon d'alimentation électrique
- Interrupteur électrique
- Disjoncteur électrique

# Instructions d'installation

## MATRICE DE COMPATIBILITÉ POUR SYSTÈME SANS CONDUITS MULTIZONE

| Adaptateurs | DESCRIPTION                        | NO PIÈCE GEA |
|-------------|------------------------------------|--------------|
| A           | 1/4" to 3/8"<br>Adaptateur conique | WJ01X35713   |
| B           | 3/8" to 5/8"<br>Adaptateur conique | WJ01X35714   |
| C           | 1/2" to 5/8"<br>Adaptateur conique | WJ01X35715   |
| D           | 3/8" to 1/2"<br>Adaptateur conique | WJ01X35716   |
| E           | 1/2" to 3/8"<br>Adaptateur conique | WJ01X35717   |

| Modèles pouvant nécessiter des adaptateurs   |             |             |              |
|--|-------------|-------------|--------------|
| *1 - Ces modèles 24K nécessitent deux tuyaux de liaison : 3/8 po (liquide) et 5/8 po (vapeur).           |             |             |              |
| US24LB2BE**  | US24MB2BE** |             |              |
| *2 - Ces modèles 24K nécessitent deux tuyaux de liaison : 1/4 po (liquide) et 1/2 po (vapeur).           |             |             |              |
| QS24WB2BE**  | GS24WB2BE** | QS24WP2BE** | GS24WP2BHE** |
| Tous les modèles 18K nécessitent deux tuyaux de liaison : 1/4 po (liquide) et 1/2 po (vapeur).           |             |             |              |
| Tous les modèles 7K, 9K et 12K nécessitent deux tuyaux de liaison : 1/4 po (liquide) et 3/8 po (vapeur). |             |             |              |

### 2Q18FF2B\*\* / 2Q20RT2B\*\*

Aucun adaptateur requis/livré avec les modèles 2U.

|                         | Jumelages de capacité de l'U.I. possibles (kBtu/h) |             |
|-------------------------|--|-------------|
|                         | ORIFICE A  | ORIFICE B   |
| Dimensions de l'orifice | 1/4" X 3/8"  | 1/4" X 3/8" |
| DEUX ZONE               | 7  | 7           |
|                         | 9  | 7           |
|                         | 9  | 9           |
|                         | 12   | 7           |
|                         | 12   | 9           |
|                         | 12   | 12          |
|                         | 15   | 7           |
|                         | 15   | 9           |

# Instructions d'installation

**Adaptateurs requis en fonction de la capacité jumelée de l'unité intérieure pour 3Q24FF2B\*\* / 3Q24RT2B\*\***

Adaptateurs requis/livrés avec adaptateur D.

Aucun adaptateur requis pour les ports B, A.

| Dimensions de l'orifice | Jumelages de capacité de l'U.I. possibles (kBtu/h) |                   |             |             |
|-------------------------|--|-------------------|-------------|-------------|
|                         | ORIFICE C  |                   | ORIFICE B   | ORIFICE A   |
|                         | 1/4" X 3/8"  | Adaptateur requis | 1/4" X 3/8" | 1/4" X 3/8" |
| DEUX ZONE               | 7  | -                 | 7           |             |
|                         | 9  | -                 | 7           | -           |
|                         | 9  | -                 | 9           | -           |
|                         | 12   | -                 | 7           | -           |
|                         | 12   | -                 | 9           | -           |
|                         | 12   | -                 | 12          | -           |
|                         | 15   | -                 | 7           | -           |
|                         | 15   | -                 | 9           | -           |
|                         | 15   | -                 | 12          | -           |
|                         | 15   | -                 | 15          | -           |
|                         | 18   | D                 | 7           | -           |
|                         | 18   | D                 | 9           | -           |
|                         | 18   | D                 | 12          | -           |
|                         | 24   | A, B *1   D*1     | 7           | -           |
| 24                      | A, B *1   D*1                                      | 9                 | -           |             |
| TROIS ZONE              | 7  | -                 | 7           | 7           |
|                         | 9  | -                 | 7           | 7           |
|                         | 9  | -                 | 9           | 7           |
|                         | 9  | -                 | 9           | 9           |
|                         | 12   | -                 | 7           | 7           |
|                         | 12   | -                 | 9           | 7           |
|                         | 12   | -                 | 9           | 9           |
|                         | 12   | -                 | 12          | 7           |
|                         | 12   | -                 | 12          | 9           |
|                         | 15   | -                 | 7           | 7           |
|                         | 15   | -                 | 9           | 7           |
|                         | 15   | -                 | 9           | 9           |
| 18                      | D  | 7                 | 7           |             |

# Instructions d'installation

**Adaptateurs requis en fonction de la capacité jumelée de l'unité intérieure pour 4Q36FF2B\*\* / 4Q36RT2B\*\***

Livrés avec les adaptateurs D et E.

Aucun adaptateur requis pour les ports B, A.

| Dimensions de l'orifice | Jumelages de capacité de l'U.I. possibles (kBtu/h) |                            |             |                          |             |             |
|-------------------------|--|----------------------------|-------------|--------------------------|-------------|-------------|
|                         | ORIFICE D  |                            | ORIFICE C   |                          | ORIFICE B   | ORIFICE A   |
|                         | 1/4" X 1/2"  | Adaptateur requis          | 1/4" X 3/8" | Adaptateur requis        | 1/4" X 3/8" | 1/4" X 3/8" |
| DEUX ZONE               | 18   | -                          | 9           | -                        | -           | -           |
|                         | 18   | -                          | 12          | -                        | -           | -           |
|                         | 18   | -                          | 15          | -                        | -           | -           |
|                         | 18   | -                          | 18          | D                        | -           | -           |
|                         | 18   | -                          | 24          | A, B *1   D <sup>2</sup> | -           | -           |
|                         | 24   | A, C *1   -- <sup>2</sup>  | 7           | -                        | -           | -           |
|                         | 24   | A, C *1   -- <sup>2</sup>  | 9           | -                        | -           | -           |
|                         | 24   | A, C *1   -- <sup>2</sup>  | 12          | -                        | -           | -           |
|                         | 24   | A, C *1   -- <sup>2</sup>  | 15          | -                        | -           | -           |
|                         | 24   | A, C *1   -- <sup>2</sup>  | 24          | A, B *1   D <sup>2</sup> | -           | -           |
| TROIS ZONE              | -  | -                          | 9           | -                        | 9           | 9           |
|                         | -  | -                          | 12          | -                        | 9           | 7           |
|                         | -  | -                          | 12          | -                        | 9           | 9           |
|                         | -  | -                          | 12          | -                        | 12          | 7           |
|                         | -  | -                          | 12          | -                        | 12          | 9           |
|                         | -  | -                          | 12          | -                        | 12          | 12          |
|                         | -  | -                          | 15          | -                        | 7           | 7           |
|                         | -  | -                          | 15          | -                        | 9           | 7           |
|                         | -  | -                          | 15          | -                        | 12          | 7           |
|                         | -  | -                          | 15          | -                        | 15          | 7           |
|                         | -  | -                          | 15          | -                        | 12          | 7           |
|                         | -  | -                          | 15          | -                        | 9           | 9           |
|                         | -  | -                          | 15          | -                        | 12          | 9           |
|                         | -  | -                          | 15          | -                        | 15          | 9           |
|                         | -  | -                          | 15          | -                        | 12          | 12          |
|                         | -  | -                          | 15          | -                        | 15          | 12          |
|                         | -  | -                          | 15          | -                        | 15          | 15          |
|                         | 18   | -                          | 7           | -                        | 7           | -           |
|                         | 18   | -                          | 9           | -                        | 7           | -           |
|                         | 18   | -                          | 9           | -                        | 9           | -           |
|                         | 18   | -                          | 12          | -                        | 7           | -           |
|                         | 18   | -                          | 12          | -                        | 9           | -           |
|                         | 18   | -                          | 12          | -                        | 12          | -           |
|                         | 18   | -                          | 15          | -                        | 7           | -           |
|                         | 18   | -                          | 15          | -                        | 9           | -           |
|                         | 18   | -                          | 15          | -                        | 12          | -           |
|                         | 18   | -                          | 15          | -                        | 15          | -           |
|                         | 18   | -                          | 18          | D                        | 7           | -           |
|                         | 18   | -                          | 18          | D                        | 9           | -           |
|                         | 18   | -                          | 18          | D                        | 12          | -           |
|                         | 24   | -A, C *1   -- <sup>2</sup> | 7           | -                        | 7           | -           |
|                         | 24   | -A, C *1   -- <sup>2</sup> | 9           | -                        | 7           | -           |

# Instructions d'installation

Adaptateurs requis en fonction de la capacité jumelée de l'unité intérieure pour 4Q36FF2B\*\* / 4Q36RT2B\*\* (suite)

Livrés avec les adaptateurs D et E.

Aucun adaptateur requis pour les ports B, A.

| Dimensions de l'orifice | Jumelages de capacité de l'U.I. possibles (kBtu/h) |                                     |             |                   |             |             |
|-------------------------|--|-------------------------------------|-------------|-------------------|-------------|-------------|
|                         | ORIFICE D  |                                     | ORIFICE C   |                   | ORIFICE B   | ORIFICE A   |
|                         | 1/4" X 1/2"  |                                     | 1/4" X 3/8" | Adaptateur requis | 1/4" X 3/8" | 1/4" X 3/8" |
| TROIS ZONE<br>(suite)   | 24   | A, C <sup>1</sup>   -- <sup>2</sup> | 9           | -                 | 9           | -           |
|                         | 24   | A, C <sup>1</sup>   -- <sup>2</sup> | 12          | -                 | 7           | -           |
|                         | 24   | A, C <sup>1</sup>   -- <sup>2</sup> | 12          | -                 | 9           | -           |
|                         | 24   | A, C <sup>1</sup>   -- <sup>2</sup> | 12          | -                 | 12          | -           |
|                         | 24   | A, C <sup>1</sup>   -- <sup>2</sup> | 15          | -                 | 7           | -           |
|                         | 24   | A, C <sup>1</sup>   -- <sup>2</sup> | 15          | -                 | 9           | -           |
| QUATRE ZONE             | 7  | E                                   | 7           | -                 | 7           | 7           |
|                         | 9  | E                                   | 7           | -                 | 7           | 7           |
|                         | 9  | E                                   | 9           | -                 | 7           | 7           |
|                         | 9  | E                                   | 9           | -                 | 9           | 7           |
|                         | 9  | E                                   | 9           | -                 | 9           | 9           |
|                         | 12   | E                                   | 7           | -                 | 7           | 7           |
|                         | 12   | E                                   | 9           | -                 | 7           | 7           |
|                         | 12   | E                                   | 9           | -                 | 9           | 7           |
|                         | 12   | E                                   | 9           | -                 | 9           | 9           |
|                         | 12   | E                                   | 12          | -                 | 7           | 7           |
|                         | 12   | E                                   | 12          | -                 | 9           | 7           |
|                         | 12   | E                                   | 12          | -                 | 9           | 9           |
|                         | 12   | E                                   | 12          | -                 | 12          | 7           |
|                         | 12   | E                                   | 12          | -                 | 12          | 9           |
|                         | 12   | E                                   | 12          | -                 | 12          | 12          |
|                         | 15   | E                                   | 7           | -                 | 7           | 7           |
|                         | 15   | E                                   | 9           | -                 | 7           | 7           |
|                         | 15   | E                                   | 9           | -                 | 9           | 7           |
|                         | 15   | E                                   | 9           | -                 | 9           | 9           |
|                         | 15   | E                                   | 12          | -                 | 7           | 7           |
|                         | 15   | E                                   | 12          | -                 | 9           | 7           |
|                         | 15   | E                                   | 12          | -                 | 9           | 9           |
|                         | 15   | E                                   | 12          | -                 | 12          | 7           |
|                         | 15   | E                                   | 12          | -                 | 12          | 9           |
|                         | 15   | E                                   | 15          | -                 | 7           | 7           |
|                         | 15   | E                                   | 15          | -                 | 9           | 7           |
|                         | 15   | E-                                  | 15          | -                 | 9           | 9           |
|                         | 18   | -                                   | 7           | -                 | 7           | 7           |
|                         | 18   | -                                   | 9           | -                 | 7           | 7           |
|                         | 18   | -                                   | 9           | -                 | 9           | 7           |
|                         | 18   | -                                   | 9           | -                 | 9           | 9           |
|                         | 18   | -                                   | 12          | -                 | 7           | 7           |
| 18                      | -  | 12                                  | -           | 9                 | 7           |             |
| 18                      | -  | 12                                  | -           | 9                 | 9           |             |
| 18                      | -  | 15                                  | -           | 7                 | 7           |             |
| 24                      | -A, C <sup>1</sup>   -- <sup>2</sup>               | 7                                   | -           | 7                 | 7           |             |
| 24                      | -A, C <sup>1</sup>   -- <sup>2</sup>               | 9                                   | -           | 7                 | 7           |             |

# Instructions d'installation

## Adaptateurs requis en fonction de la capacité jumelée de l'unité intérieure pour 5Q42RT2B\*\*

Livrés avec les adaptateurs D et E.

Aucun adaptateur requis pour les ports B, A.

| Dimensions de l'orifice | Jumelages de capacité de l'U.I. possibles (kBtu/h) |                                      |             |                                      |             |                  |             |             |
|-------------------------|--|--------------------------------------|-------------|--------------------------------------|-------------|------------------|-------------|-------------|
|                         | ORIFICE E  |                                      | ORIFICE D   |                                      | ORIFICE C   |                  | ORIFICE B   | ORIFICE A   |
|                         | 1/4" X 1/2"  | Required Adapter                     | 1/4" X 1/2" | Required Adapter                     | 1/4" X 3/8" | Required Adapter | 1/4" X 3/8" | 1/4" X 3/8" |
| DEUX ZONE               | 18   | -                                    | -           | -                                    | 9           | -                | -           | -           |
|                         | 18   | -                                    | -           | -                                    | 12          | -                | -           | -           |
|                         | 18   | -                                    | -           | -                                    | 15          | -                | -           | -           |
|                         | 18   | -                                    | 18          | -                                    | -           | -                | -           | -           |
|                         | 24   | A, C <sup>11</sup>   -- <sup>2</sup> | -           | -                                    | 7           | -                | -           | -           |
|                         | 24   | A, C <sup>11</sup>   -- <sup>2</sup> | -           | -                                    | 9           | -                | -           | -           |
|                         | 24   | A, C <sup>11</sup>   -- <sup>2</sup> | -           | -                                    | 12          | -                | -           | -           |
|                         | 24   | A, C <sup>11</sup>   -- <sup>2</sup> | -           | -                                    | 15          | -                | -           | -           |
|                         | 24   | A, C <sup>11</sup>   -- <sup>2</sup> | 18          | -                                    | -           | -                | -           | -           |
| TROIS ZONE              | 24   | A, C <sup>11</sup>   -- <sup>2</sup> | 24          | A, C <sup>11</sup>   -- <sup>2</sup> | -           | -                | -           | -           |
|                         | -  | -                                    | -           | -                                    | 9           | -                | 9           | 9           |
|                         | -  | -                                    | -           | -                                    | 12          | -                | 9           | 9           |
|                         | -  | -                                    | -           | -                                    | 12          | -                | 9           | 7           |
|                         | -  | -                                    | -           | -                                    | 12          | -                | 12          | 7           |
|                         | -  | -                                    | -           | -                                    | 12          | -                | 12          | 9           |
|                         | -  | -                                    | -           | -                                    | 12          | -                | 12          | 12          |
|                         | -  | -                                    | -           | -                                    | 15          | -                | 7           | 7           |
|                         | -  | -                                    | -           | -                                    | 15          | -                | 9           | 7           |
|                         | -  | -                                    | -           | -                                    | 15          | -                | 9           | 9           |
|                         | -  | -                                    | -           | -                                    | 15          | -                | 12          | 7           |
|                         | -  | -                                    | -           | -                                    | 15          | -                | 12          | 9           |
|                         | -  | -                                    | -           | -                                    | 15          | -                | 12          | 12          |
|                         | -  | -                                    | -           | -                                    | 15          | -                | 15          | 7           |
|                         | -  | -                                    | -           | -                                    | 15          | -                | 15          | 9           |
|                         | -  | -                                    | -           | -                                    | 15          | -                | 15          | 12          |
|                         | -  | -                                    | -           | -                                    | 15          | -                | 15          | 15          |
|                         | 18   | -                                    | -           | -                                    | 7           | -                | 7           | -           |
|                         | 18   | -                                    | -           | -                                    | 9           | -                | 7           | -           |
|                         | 18   | -                                    | -           | -                                    | 9           | -                | 9           | -           |
|                         | 18   | -                                    | -           | -                                    | 12          | -                | 7           | -           |
|                         | 18   | -                                    | -           | -                                    | 12          | -                | 9           | -           |
|                         | 18   | -                                    | -           | -                                    | 12          | -                | 12          | -           |
|                         | 18   | -                                    | -           | -                                    | 15          | -                | 7           | -           |
|                         | 18   | -                                    | -           | -                                    | 15          | -                | 9           | -           |
|                         | 18   | -                                    | -           | -                                    | 15          | -                | 12          | -           |
|                         | 18   | -                                    | -           | -                                    | 15          | -                | 15          | -           |
|                         | 18   | -                                    | 18          | -                                    | 7           | -                | -           | -           |
|                         | 18   | -                                    | 18          | -                                    | 9           | -                | -           | -           |
|                         | 18   | -                                    | 18          | -                                    | 12          | -                | -           | -           |
| 18                      | -  | 18                                   | -           | 15                                   | -           | -                | -           |             |
| 18                      | -  | 18                                   | -           | 18                                   | D           | -                | -           |             |
| 24                      | A, C <sup>11</sup>   -- <sup>2</sup>               | -                                    | -           | 7                                    | -           | 7                | -           |             |

# Instructions d'installation

## Adaptateurs requis en fonction de la capacité jumelée de l'unité intérieure pour 5Q42RT2B\*\* (suite)

Livrés avec les adaptateurs D et E.

Aucun adaptateur requis pour les ports B, A.

| Dimensions de l'orifice | Jumelages de capacité de l'U.I. possibles (kBtu/h) |                   |             |                   |             |                   |             |             |
|-------------------------|--|-------------------|-------------|-------------------|-------------|-------------------|-------------|-------------|
|                         | ORIFICE E  |                   | ORIFICE D   |                   | ORIFICE C   |                   | ORIFICE B   | ORIFICE A   |
|                         | 1/4" X 1/2"  | Adaptateur requis | 1/4" X 1/2" | Adaptateur requis | 1/4" X 3/8" | Adaptateur requis | 1/4" X 3/8" | 1/4" X 3/8" |
| TROIS ZONE<br>(suite)   | 24   | A, C *1   --*2    | -           | -                 | 9           | -                 | 7           | -           |
|                         | 24   | A, C *1   --*2    | -           | -                 | 9           | -                 | 9           | -           |
|                         | 24   | A, C *1   --*2    | -           | -                 | 12          | -                 | 7           | -           |
|                         | 24   | A, C *1   --*2    | -           | -                 | 12          | -                 | 9           | -           |
|                         | 24   | A, C *1   --*2    | -           | -                 | 12          | -                 | 12          | -           |
|                         | 24   | A, C *1   --*2    | -           | -                 | 15          | -                 | 7           | -           |
|                         | 24   | A, C *1   --*2    | -           | -                 | 15          | -                 | 9           | -           |
|                         | 24   | A, C *1   --*2    | -           | -                 | 15          | -                 | 12          | -           |
|                         | 24   | A, C *1   --*2    | -           | -                 | 15          | -                 | 15          | -           |
|                         | 24   | A, C *1   --*2    | 18          | -                 | 7           | -                 | -           | -           |
|                         | 24   | A, C *1   --*2    | 18          | -                 | 9           | -                 | -           | -           |
|                         | 24   | A, C *1   --*2    | 18          | -                 | 12          | -                 | -           | -           |
| QUATRE ZONE             | 7  | E                 | -           | -                 | 7           | -                 | 7           | 7           |
|                         | 9  | E                 | -           | -                 | 7           | -                 | 7           | 7           |
|                         | 9  | E                 | -           | -                 | 9           | -                 | 7           | 7           |
|                         | 9  | E                 | -           | -                 | 9           | -                 | 9           | 7           |
|                         | 9  | E                 | -           | -                 | 9           | -                 | 9           | 9           |
|                         | 12   | E                 | -           | -                 | 7           | -                 | 7           | 7           |
|                         | 12   | E                 | -           | -                 | 9           | -                 | 7           | 7           |
|                         | 12   | E                 | -           | -                 | 9           | -                 | 9           | 7           |
|                         | 12   | E                 | -           | -                 | 9           | -                 | 9           | 9           |
|                         | 12   | E                 | -           | -                 | 12          | -                 | 7           | 7           |
|                         | 12   | E                 | -           | -                 | 12          | -                 | 9           | 7           |
|                         | 12   | E                 | -           | -                 | 12          | -                 | 9           | 9           |
|                         | 12   | E                 | -           | -                 | 12          | -                 | 12          | 7           |
|                         | 12   | E                 | -           | -                 | 12          | -                 | 12          | 9           |
|                         | 12   | E                 | -           | -                 | 12          | -                 | 12          | 12          |
|                         | 15   | E                 | -           | -                 | 7           | -                 | 7           | 7           |
|                         | 15   | E                 | -           | -                 | 9           | -                 | 7           | 7           |
|                         | 15   | E                 | -           | -                 | 9           | -                 | 9           | 7           |
|                         | 15   | E                 | -           | -                 | 9           | -                 | 9           | 9           |
|                         | 15   | E                 | -           | -                 | 12          | -                 | 7           | 7           |
|                         | 15   | E                 | -           | -                 | 12          | -                 | 9           | 7           |
|                         | 15   | E                 | -           | -                 | 12          | -                 | 9           | 9           |
|                         | 15   | E                 | -           | -                 | 12          | -                 | 12          | 7           |
|                         | 15   | E                 | -           | -                 | 12          | -                 | 12          | 9           |
|                         | 15   | E                 | -           | -                 | 12          | -                 | 12          | 12          |
|                         | 15   | E                 | -           | -                 | 15          | -                 | 7           | 7           |
|                         | 15   | E                 | -           | -                 | 15          | -                 | 9           | 7           |
|                         | 15   | E                 | -           | -                 | 15          | -                 | 9           | 9           |
|                         | 15   | E                 | -           | -                 | 15          | -                 | 12          | 9           |
|                         | 15   | E                 | -           | -                 | 15          | -                 | 12          | 12          |
|                         | 18   | -                 | -           | -                 | 7           | -                 | 7           | 7           |
|                         | 18   | -                 | -           | -                 | 9           | -                 | 7           | 7           |
| 18                      | -  | -                 | -           | 9                 | -           | 9                 | 7           |             |
| 18                      | -  | -                 | -           | 9                 | -           | 9                 | 9           |             |
| 18                      | -  | -                 | -           | 12                | -           | 7                 | 7           |             |
| 18                      | -  | -                 | -           | 12                | -           | 9                 | 7           |             |
| 18                      | -  | -                 | -           | 12                | -           | 9                 | 9           |             |
| 18                      | -  | -                 | -           | 12                | -           | 12                | 7           |             |

# Instructions d'installation

## Adaptateurs requis en fonction de la capacité jumelée de l'unité intérieure pour 5Q42RT2B\*\* (suite)

Livrés avec les adaptateurs D et E.

Aucun adaptateur requis pour les ports B, A.

| Dimensions de l'orifice | Jumelages de capacité de l'U.I. possibles (kBtu/h) |                                     |             |                   |             |                   |             |             |
|-------------------------|--|-------------------------------------|-------------|-------------------|-------------|-------------------|-------------|-------------|
|                         | ORIFICE E  |                                     | ORIFICE D   |                   | ORIFICE C   |                   | ORIFICE B   | ORIFICE A   |
|                         | 1/4" X 1/2"  | Adaptateur requis                   | 1/4" X 1/2" | Adaptateur requis | 1/4" X 3/8" | Adaptateur requis | 1/4" X 3/8" | 1/4" X 3/8" |
| QUATRE ZONE (suite)     | 18   | -                                   | -           | -                 | 12          | -                 | 12          | 9           |
|                         | 18   | -                                   | -           | -                 | 12          | -                 | 12          | 12          |
|                         | 18   | -                                   | -           | -                 | 15          | -                 | 7           | 7           |
|                         | 18   | -                                   | -           | -                 | 15          | -                 | 9           | 7           |
|                         | 18   | -                                   | -           | -                 | 15          | -                 | 9           | 9           |
|                         | 18   | -                                   | -           | -                 | 15          | -                 | 12          | 7           |
|                         | 18   | -                                   | -           | -                 | 15          | -                 | 12          | 9           |
|                         | 18   | -                                   | -           | -                 | 15          | -                 | 12          | 12          |
|                         | 18   | -                                   | 18          | -                 | 7           | -                 | 7           | -           |
|                         | 18   | -                                   | 18          | -                 | 9           | -                 | 7           | -           |
|                         | 18   | -                                   | 18          | -                 | 9           | -                 | 9           | -           |
|                         | 18   | -                                   | 18          | -                 | 12          | -                 | 7           | -           |
|                         | 18   | -                                   | 18          | -                 | 12          | -                 | 9           | -           |
|                         | 24   | A, C <sup>1</sup>   -- <sup>2</sup> | -           | -                 | 7           | -                 | 7           | 7           |
|                         | 24   | A, C <sup>1</sup>   -- <sup>2</sup> | -           | -                 | 9           | -                 | 7           | 7           |
|                         | 24   | A, C <sup>1</sup>   -- <sup>2</sup> | -           | -                 | 9           | -                 | 9           | 7           |
|                         | 24   | A, C <sup>1</sup>   -- <sup>2</sup> | -           | -                 | 9           | -                 | 9           | 9           |
|                         | 24   | A, C <sup>1</sup>   -- <sup>2</sup> | -           | -                 | 12          | -                 | 7           | 7           |
|                         | 24   | A, C <sup>1</sup>   -- <sup>2</sup> | -           | -                 | 12          | -                 | 9           | 7           |
|                         | 24   | A, C <sup>1</sup>   -- <sup>2</sup> | -           | -                 | 12          | -                 | 9           | 9           |
|                         | 24   | A, C <sup>1</sup>   -- <sup>2</sup> | -           | -                 | 12          | -                 | 12          | 7           |
|                         | 24   | A, C <sup>1</sup>   -- <sup>2</sup> | -           | -                 | 15          | -                 | 7           | 7           |
| 24                      | A, C <sup>1</sup>   -- <sup>2</sup>                | -                                   | -           | 15                | -           | 9                 | 7           |             |
| 24                      | A, C <sup>1</sup>   -- <sup>2</sup>                | 18                                  | -           | 7                 | -           | 7                 | -           |             |
| CINQ ZONES              | 7  | E                                   | 7           | E                 | 7           | -                 | 7           | 7           |
|                         | 9  | E                                   | 7           | E                 | 7           | -                 | 7           | 7           |
|                         | 9  | E                                   | 9           | E                 | 7           | -                 | 7           | 7           |
|                         | 9  | E                                   | 9           | E                 | 9           | -                 | 7           | 7           |
|                         | 9  | E                                   | 9           | E                 | 9           | -                 | 9           | 7           |
|                         | 9  | E                                   | 9           | E                 | 9           | -                 | 9           | 9           |
|                         | 12   | E                                   | 7           | E                 | 7           | -                 | 7           | 7           |
|                         | 12   | E                                   | 9           | E                 | 7           | -                 | 7           | 7           |
|                         | 12   | E                                   | 9           | E                 | 9           | -                 | 7           | 7           |
|                         | 12   | E                                   | 9           | E                 | 9           | -                 | 9           | 7           |
|                         | 12   | E                                   | 12          | E                 | 7           | -                 | 7           | 7           |
|                         | 12   | E                                   | 12          | E                 | 9           | -                 | 7           | 7           |
|                         | 12   | E                                   | 12          | E                 | 9           | -                 | 9           | 7           |
|                         | 12   | E                                   | 12          | E                 | 9           | -                 | 9           | 9           |
|                         | 12   | E                                   | 12          | E                 | 12          | -                 | 7           | 7           |
|                         | 12   | E                                   | 12          | E                 | 12          | -                 | 9           | 7           |
|                         | 12   | E                                   | 12          | E                 | 12          | -                 | 9           | 9           |
|                         | 12   | E                                   | 12          | E                 | 12          | -                 | 12          | 7           |
|                         | 18   | -                                   | 7           | E                 | 7           | -                 | 7           | 7           |

# Instructions d'installation

## Adaptateurs requis en fonction de la capacité jumelée de l'unité intérieure pour 5Q42RT2B\*\* (suite)

Livrés avec les adaptateurs D et E.

Aucun adaptateur requis pour les ports B, A.

| Dimensions de l'orifice | Jumelages de capacité de l'U.I. possibles (kBtu/h) |                   |             |                   |             |                   |             |             |   |
|-------------------------|--|-------------------|-------------|-------------------|-------------|-------------------|-------------|-------------|---|
|                         | ORIFICE E  |                   | ORIFICE D   |                   | ORIFICE C   |                   | ORIFICE B   | ORIFICE A   |   |
|                         | 1/4" X 1/2"  | Adaptateur requis | 1/4" X 1/2" | Adaptateur requis | 1/4" X 3/8" | Adaptateur requis | 1/4" X 3/8" | 1/4" X 3/8" |   |
| CINQ ZONES<br>(suite)   | 18   | -                 | 9           | E                 | 7           | -                 | 7           | 7           |   |
|                         | 18   | -                 | 9           | E                 | 9           | -                 | 7           | 7           |   |
|                         | 18   | -                 | 9           | E                 | 9           | -                 | 9           | 7           |   |
|                         | 18   | -                 | 9           | E                 | 9           | -                 | 9           | 9           |   |
|                         | 18   | -                 | 12          | E                 | 7           | -                 | 7           | 7           |   |
|                         | 18   | -                 | 12          | E                 | 9           | -                 | 7           | 7           |   |
|                         | 18   | -                 | 12          | E                 | 9           | -                 | 9           | 7           |   |
|                         | 18   | -                 | 12          | E                 | 9           | -                 | 9           | 9           |   |
|                         | 18   | -                 | 12          | E                 | 12          | -                 | 7           | 7           |   |
|                         | 18   | -                 | 12          | E                 | 12          | -                 | 9           | 7           |   |
|                         | 18   | -                 | 12          | E                 | 12          | -                 | 9           | 9           |   |
|                         | 18   | -                 | 15          | E                 | 7           | -                 | 7           | 7           |   |
|                         | 18   | -                 | 15          | E                 | 9           | -                 | 7           | 7           |   |
|                         | 18   | -                 | 15          | E                 | 9           | -                 | 9           | 7           |   |
|                         | 18   | -                 | 15          | E                 | 9           | -                 | 9           | 9           |   |
|                         | 18   | -                 | 15          | E                 | 12          | -                 | 7           | 7           |   |
|                         | 24   | A, C *1   --*2    |             | 7                 | E           | 7                 | -           | 7           | 7 |
|                         | 24   | A, C *1   --*2    |             | 9                 | E           | 7                 | -           | 7           | 7 |
|                         | 24   | A, C *1   --*2    |             | 9                 | E           | 9                 | -           | 7           | 7 |
|                         | 24   | A, C *1   --*2    |             | 9                 | E           | 9                 | -           | 9           | 7 |
| 24                      | A, C *1   --*2                                     |                   | 9           | E                 | 9           | -                 | 9           | 9           |   |
| 24                      | A, C *1   --*2                                     |                   | 12          | E                 | 7           | -                 | 7           | 7           |   |
| 24                      | A, C *1   --*2                                     |                   | 12          | E                 | 9           | -                 | 7           | 7           |   |

# Instructions d'installation

## Précautions d'installation

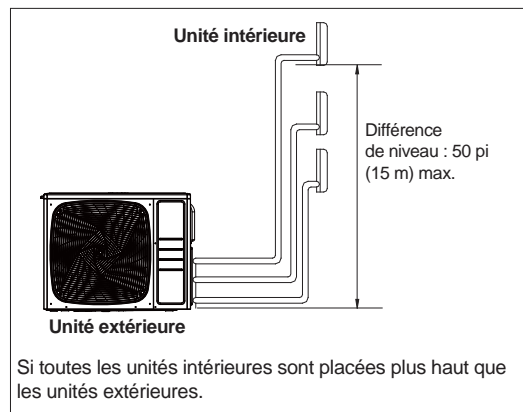
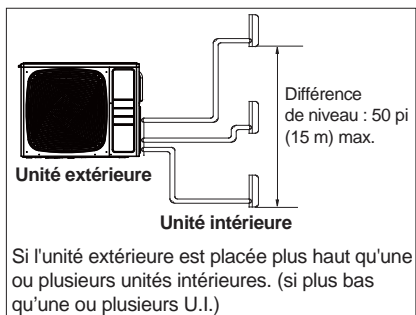
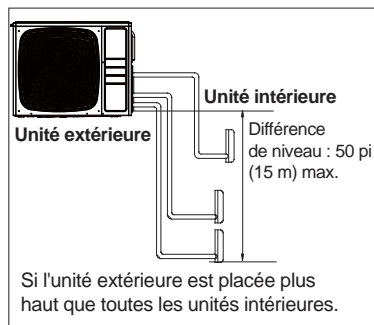
Ce produit contient des gaz à effet de serre fluorés couverts par le protocole de Kyoto. Ne pas évacuer l'air dans l'atmosphère.

Type de réfrigérant : R454B

### Information sur la charge de réfrigérant et la longueur de tuyauterie

| Numéro de modèle | Charge d'usine                   | Longueur de tuyau totale de la charge d'usine | Règle de charge additionnelle | Longueur de tuyau d'embranchement maximale | Longueur de tuyau de système maximale | Longueur minimale de tuyau |
|------------------|----------------------------------|---|-------------------------------|--|---------------------------------------|----------------------------|
| Unité            | oz                               | pi  | oz/pi                         | pi   | pi                                    | pi                         |
| 2G18AD2B**       | Consultez la plaque signalétique | 66  | 0.2                           | 65   | 98                                    | 10' par unité intérieure   |
| 3G24AD2B**       |                                  | 100   |                               | 82   | 197                                   |                            |
| 4G36AD2B**       |                                  | 131   |                               | 82   | 230                                   |                            |
| 2G20ED2B**       |                                  | 66  |                               | 82   | 164                                   |                            |
| 3G24ED2B**       |                                  | 100   |                               | 82   | 197                                   |                            |
| 4G36ED2B**       |                                  | 131   |                               | 82   | 230                                   |                            |
| 5G42ED2B**       |                                  | 164   |                               | 82   | 262                                   |                            |

### ATTENTION

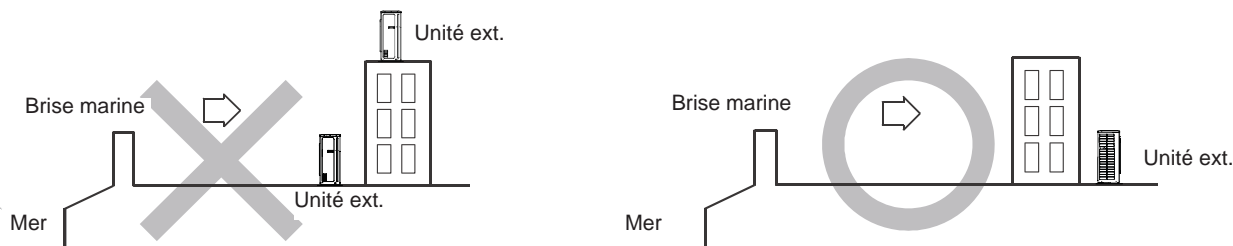


Une fois la charge totale de réfrigérant calculée, reportez-vous aux instructions d'installation de l'unité intérieure. Selon la taille de la pièce, il peut être nécessaire d'installer un capteur de fuite de réfrigérant sur l'unité intérieure.

# Instructions d'installation

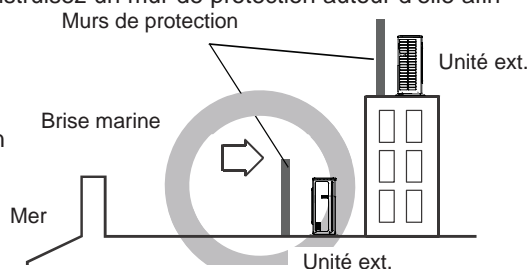
## INSTALLATION POUR LITTORAL SALIN

- L'unité extérieure doit être installée à un minimum de 1/2 mille (0,8 km) d'un plan d'eau salée telle que bord de mer et voies navigables intérieures. Si l'unité est installée entre 1/2 mille et 5 milles (0,8 et 8 km) d'un plan d'eau salée (y compris bord de



mer et voies navigables intérieures), alors veuillez suivre les instructions d'installation ci-dessous).

- Installez l'unité intérieure à un endroit (p.ex. près de bâtiments, etc.) où elle peut être protégée de la brise marine qui peut l'endommager.
- Si vous ne pouvez pas éviter d'installer l'unité extérieure en bord de mer, construisez un mur de protection autour d'elle afin de bloquer la brise marine.
- Le mur de protection doit être composé d'un matériau solide tel que le béton afin de bloquer la brise marine. La hauteur et la largeur du mur doivent être 1,5fois plus importantes que celles de l'unité extérieure. Allouez au moins 28 po (700 mm) entre le mur de protection et l'unité extérieure pour la ventilation de l'air d'évacuation.
- Installez l'unité extérieure à un endroit où l'eau peut s'évacuer en douceur.
- Si les conditions ci-dessus ne peuvent pas être respectées, contactez GE Appliances pour de l'assistance.



## INSTALLATION DANS UN CLIMAT FROID

- Si l'unité extérieure est installée dans une région touchée par le vent violent ou l'accumulation de neige, il est recommandé d'installer un déflecteur de vent et/ou un capot supérieur en accessoire. Les numéros de modèle du capot supérieur et du déflecteur de vent se trouvent dans le catalogue de produits. Il est possible de trouver les instructions d'installation dans le manuel expédié avec chaque accessoire ou en ligne au [GEAppliancesairandwater.com](http://GEAppliancesairandwater.com)

# Instructions d'installation

## Étape 1 – Préparation

### DÉGAGEMENTS EXTÉRIEURE

**REMARQUE:** Fixez l'unité en insérant des boulons, des fils métalliques ou d'autres moyens d'arrimage si l'unité risque de tomber ou de basculer.

**REMARQUE:** Placez l'appareil sur une base de montage de niveau (ou sur un socle en plastique) pour un drainage adéquat.

**REMARQUE :** Installez l'unité extérieure dans une position horizontale. Sinon, cela pourrait entraîner une fuite d'eau ou une accumulation d'eau.

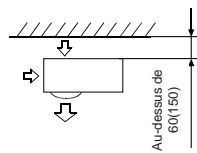
**REMARQUE :** Les modèles de thermopompes produiront de l'eau de condensat sur l'unité extérieure. La superposition des unités sans gestion de l'eau de condensat représente un risque de bris de l'unité inférieure.

### (3) Installation et espace de maintenance

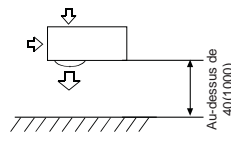
Sélection d'un lieu d'installation pour l'extérieur

(1) Installation d'une unité simple (unité : po (mm))

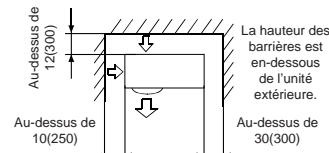
Arrière



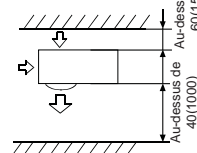
Avant



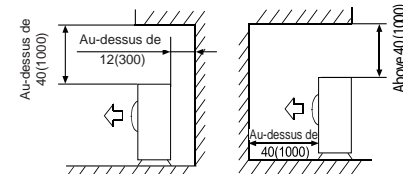
Arrière et côté



Avant et arrière



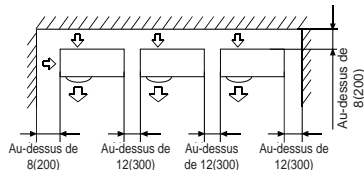
Lorsque des barrières se trouvent au-dessus de l'unité



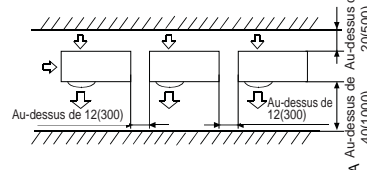
Les surfaces de dessus et des deux côtés doit être exposés à un espace ouvert, et les barrières sur au moins un côté de l'avant et l'arrière doivent être plus basses que l'unité extérieure.

(2) Installation de plusieurs unités (unité : po (mm))

Arrière et côté

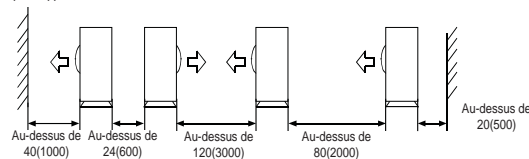


Avant et arrière

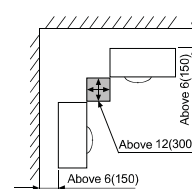


La hauteur des barrières est en-dessous de l'unité extérieure.

(3) Installation de plusieurs unités à l'avant et l'arrière (unité : po (mm))



Corner



### Choix de l'emplacement extérieur

- Choisissez un endroit de niveau suffisamment solide pour supporter le poids et les vibrations de l'unité extérieure, là où le bruit de fonctionnement ne sera pas amplifié.
- Choisissez un endroit où l'évacuation d'air chaud et/ou le bruit ne nuiront pas à vos voisins.
- Assurez-vous qu'il y a suffisamment d'espace pour manœuvrer l'U.E. en place.

- Assurez-vous de disposer de suffisamment d'espace, sans obstructions à l'entrée et la sortie d'air.
- Installez le cordon d'alimentation électrique/de communication de l'unité à une distance d'au moins 10 pieds (3 m) des téléviseurs et radios afin de prévenir les perturbations.
- Assurez-vous de garder les articles sensibles à l'humidité à l'écart du chemin d'évacuation du condensat de l'unité extérieure.

# Instructions d'installation

---

## Étape 1 – Préparation (Suite)

### REMARQUES:

- L'unité extérieure ne peut pas s'accrocher à un plafond ou s'empiler.
- Assurez-vous que la neige et les débris accumulés ne bloquent pas l'entrée d'air ou le serpentin si vous installez l'unité extérieure avec une clôture ou un rail de protection autour d'elle.
- Assurez-vous que la ventilation sera suffisante en cas de fuite de frigorigène.
- Évitez d'installer l'unité extérieure là où des gaz corrosifs, tels que les oxydes de soufre, l'ammoniac et le gaz sulfureux, sont générés. Consultez un installateur spécialisé au sujet d'additifs qui résistent à la corrosion ou la rouille afin de protéger les serpentins de l'unité.

## Étape 2 – Installation de l'unité(s) intérieure

**Veillez vous reporter au manuel d'installation de l'unité intérieure.**

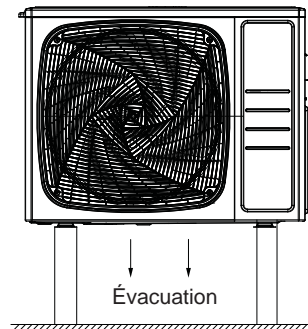
# Instructions d'installation

## Étape 3 – Installation de l'unité extérieure

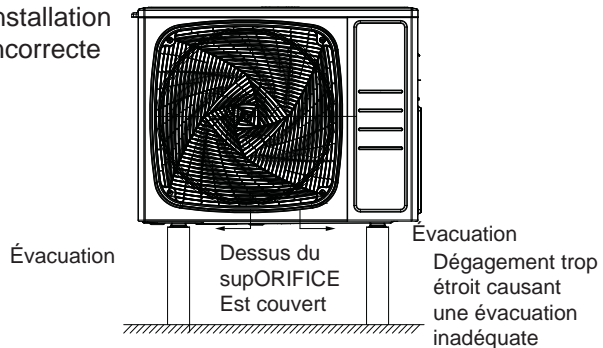
### A. Préparation de l'unité extérieure pour l'installation

- Retirez tout l'emballage.
- Placez les coussinets antivibrations fournis sur les pieds de l'unité extérieure.
- Utilisez l'équipe de levage pour placer l'appareil sur une base solide, à 8 "au-dessus de la moyenne des chutes de neige.

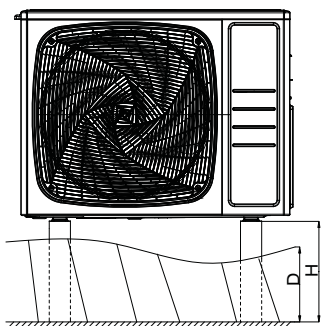
Installation  
correcte



Installation  
incorrecte

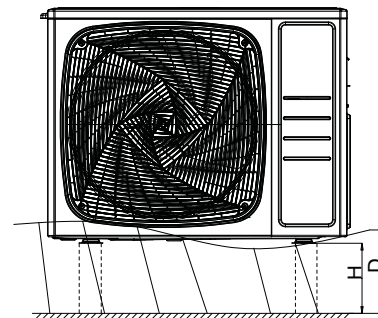


Installation  
correcte



Hauteur minimale (H) doit être supérieure à la profondeur de neige maximale (P)  
( $H = P + 8$  po)

Installation  
incorrecte



L'unité peut être recouverte de neige si la hauteur du supORIFICE Est insuffisante

# Instructions d'installation

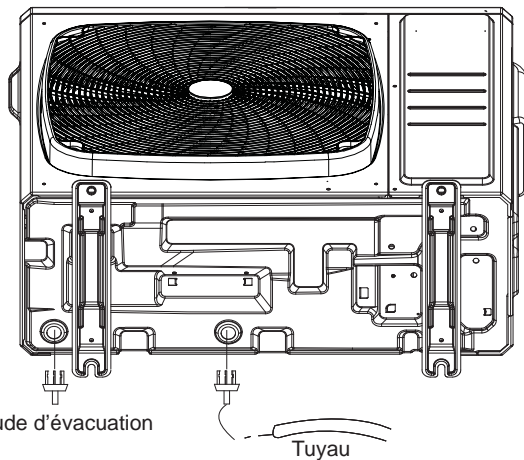
## Étape 3 – Installation de l'unité extérieure (Suite)

### B. Fixation du coude d'évacuation sur l'unité extérieure

- Fixez le coude du tuyau d'évacuation sur l'unité extérieure si nécessaire. Raccordez le tuyau de rallonge au besoin (non fourni) (voir l'illustration).

**REMARQUE :** Le coude d'évacuation est doté d'une coupure antirefoulement et il ne reposera à égalité du bas de l'unité extérieure.

**REMARQUE :** Un plateau d'égouttement (non fourni) est nécessaire si la gestion du condensat est requise par la réglementation.



### C. Connexions électriques de l'unité extérieure

**⚠ AVERTISSEMENT** RISQUE DE CHOC

#### ÉLECTRIQUE

**Peut causer une blessure ou la mort.**

**Coupez l'alimentation électrique à la source avant de procéder à une réparation ou un entretien.**

**REMARQUE :** Assurez-vous que l'ensemble du câblage satisfait les codes de l'électricité local et national et que l'alimentation électrique est compatible avec ce système.

- Connectez le câblage de l'alimentation électrique et de l'unité intérieure à l'aide d'une bride de câble de conduit sur le côté de l'unité extérieure (pour le câble 14/4 AWG et le câble d'alimentation électrique).
- À l'aide d'une pince à dénuder, retirez l'isolant et séparez les 4 fils.
- Vérifiez que les connexions de câblage de chaque fil correspondent à celles de l'intérieur.
- Assurez-vous que chaque fil se trouve sous la plaque de borne à vis et que la plaque est serrée.
- Assurez-vous que le câble torsadé 14/4 est fixé sous la ferrure serre-câble. En cas de sertissage sur des terminaisons d'extrémité, suivez les recommandations du fabricant.
- Assurez-vous que toutes les connexions sont solides.

**REMARQUE :** L'omission de suivre les directives de câblage peut causer des dommages au panneau de contrôle et des problèmes de communication (code d'erreur E7). Cela comprend un calibre de fil inapproprié, l'utilisation d'un fil à âme solide, une épaisseur médiane et des connexions de borne médiocres.

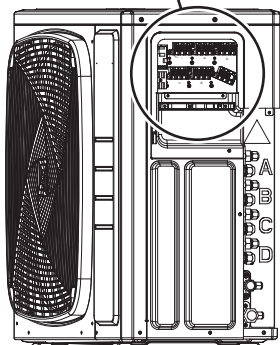
# Instructions d'installation

## Étape 3 – Installation de l'unité extérieure (Suite)

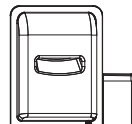
### Informations sur le câblage

**REMARQUE :** Sur les modèles 4G36ED2B\*\* et 5G42ED2B\*\*, le panneau latéral doit être retiré pour accéder à la zone du bornier et du câblage.

Zone du bornier et du câblage



Couvercle du bornier

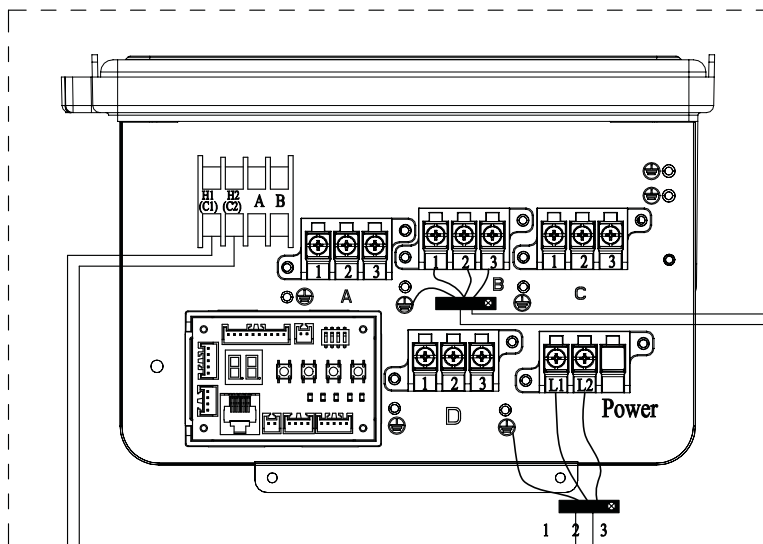


Couvercle de la soupape



Modèle:  
2G18AD2B\*\*  
3G24AD2B\*\*  
2G20ED2B\*\*  
3G24ED2B\*\*  
4G36AD2B\*\*

Outdoor unit



Indoor unit B



Suggested Colors

1=White

2=Black

3=Red

Ground =Solid Green  
or Green-Yellow



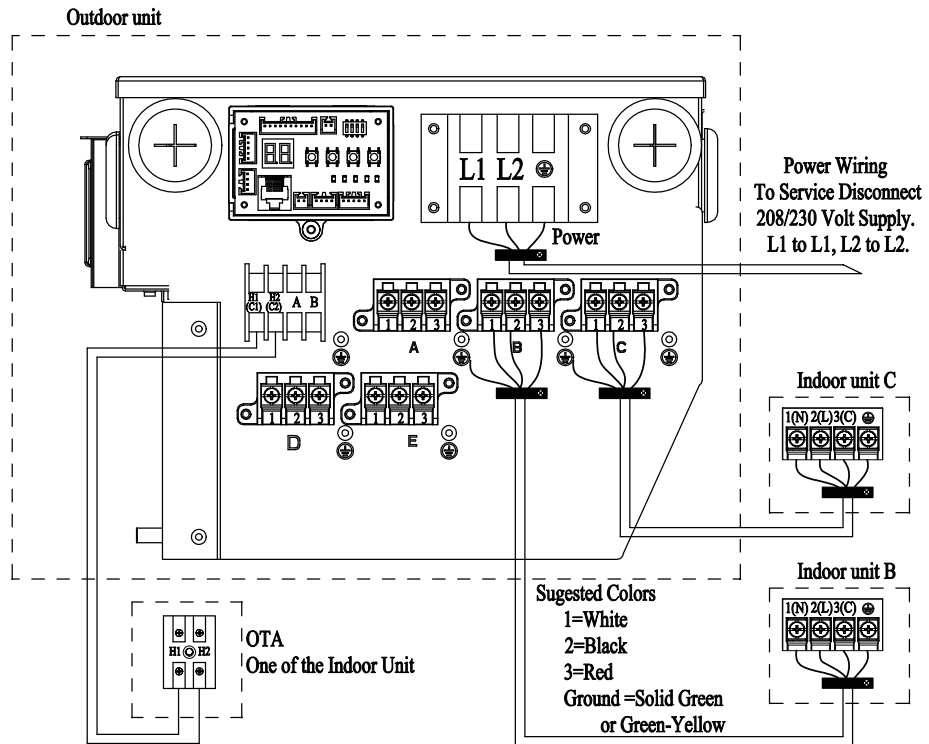
OTA  
One of the Indoor Unit

Power Wiring  
To Service Disconnect  
208/230 Volt Supply.  
L1 to L1, L2 to L2.

# Instructions d'installation

## Étape 3 – Installation de l'unité extérieure (Suite)

Modèle:  
4G36ED2B\*\*  
5G42ED2B\*\*



# Instructions d'installation

## Étape 3 – Installation de l'unité extérieure (Suite)

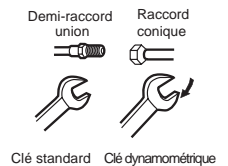
### Information sur la charge de réfrigérant et la longueur de tuyauterie

#### D. Installation de la tuyauterie en cuivre

- Les dimensions des tuyaux de liaison sont déterminées par l'unité intérieure. Voyez les spécifications de l'unité intérieure pour plus d'informations. L'unité extérieure est livrée avec des adaptateurs d'orifice permettant de réduire ou d'agrandir la taille des orifices évasés en cas de besoin. Pour la connexion des modèles 24K avec orifices 3/8 et 5/8 po, les adaptateurs doivent être commandés séparément.
- Coupez la tuyauterie à la longueur nécessaire.
- Placez un raccord conique sur le tube puis évasez ce dernier à l'aide de l'outil à évaser à R454b.  
REMARQUE : Respectez les pratiques normalisées pour évaser le tube. Lors de la coupe et du fraisage du tube, usez de précaution pour éviter que de la saleté et des débris y pénètrent. N'oubliez pas de placer le raccord conique sur le tube avant d'évaser.
- Pour joindre la tuyauterie, alignez directement l'évasement sur le raccord de l'autre tube. Glissez le raccord conique sur le raccord et serrez à la main.
- Serrez les raccords selon les spécifications de couple indiqués dans le tableau des couples de serrage ci-dessous.

| Un serrage forcé sans un centrage minutieux endommagera le filetage et causera une fuite de réfrigérant |                   |
|---|-------------------|
| Diamètre de tube (ø) / Adaptateurs coniques   | Couple de serrage |
| 1/4" (6,35mm)   | 18N.m/13.3Ft.lbs  |
| 3/8" (9,52mm)   | 42N.m/30.1Ft.lbs  |
| 1/2" (12.7mm)   | 55N.m/40.6Ft.lbs  |
| 5/8" (15.88mm)  | 60 N.m/44.3Ft.lbs |

- Pour joindre la tuyauterie, alignez directement l'évasement sur le raccord de l'autre tube. Glissez le raccord conique sur le raccord et serrez à la main.
- Serrez les raccords selon les spécifications de couple indiqués dans le tableau des couples de serrage ci-dessous.
- Si des adaptateurs coniques pour tuyaux frigorifiques sont nécessaires, le bout réducteur femelle doit être installé en premier et serré au couple correct. Ensuite, l'écrou conique et les tuyaux frigorifiques peuvent être installés et serrés avec une clé d'appoint sur le bout conique femelle pour l'empêcher de bouger.



# Instructions d'installation

## Étape 3 – Installation de l'unité extérieure (Suite)

### E. Essai d'étanchéité

Effectuez les étapes suivantes pour CHAQUE paire de tuyaux. La soupape de service primaire possède un orifice de 5/16 po, un adaptateur peut être nécessaire.

- Retirez le capuchon de service sur le robinet.
- À l'aide d'un réservoir d'azote muni d'un régulateur, chargez le système à 150 psig d'azote sec en utilisant l'adaptateur « mini-split » pour raccorder le robinet.
- Vérifiez l'absence de fuites aux raccords évasés à l'aide de bulles de savon ou d'un autre moyen de détection. Si une fuite est détectée, réparer les raccords et refaire l'essai d'étanchéité. Procédez si aucune fuite n'est détectée sous 3 minutes.
- À l'aide du même réservoir et régulateur, chargez le système à 300 psig.
- Faites un essai d'étanchéité comme précédemment. Procédez si aucune fuite n'est détectée sous 3 minutes.
- À l'aide du même réservoir et régulateur, chargez le système à 300 psig.
- Faites un essai d'étanchéité comme précédemment. Continuez de vérifier le système durant 20 minutes.

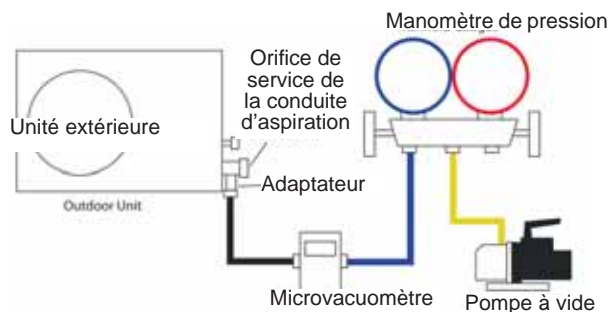
#### ⚠ AVERTISSEMENT

Utilisez uniquement de l'azote sec avec régulateur de pression pour pressuriser l'unité. N'utilisez pas d'acétylène, d'oxygène, de l'air comprimé ni des mélanges qui contiennent ces substances pour l'essai d'étanchéité. N'utilisez pas des mélanges d'hydrogène qui contiennent du frigorigène et de l'air au-dessus de la pression atmosphérique pour cet essai, car ils peuvent s'enflammer et causer une explosion. Lorsqu'il est utilisé comme gaz à l'état de traces, le frigorigène doit être uniquement mélangé avec de l'azote sec pour pressuriser les unités. L'omission de respecter ces recommandations peut entraîner la mort ou des blessures graves ainsi que des dommages à l'équipement et la propriété.

### F. Système d'évacuation

**REMARQUE** – N'ouvrez pas le robinet de service.

- Retirez le capuchon de la conduite d'aspiration et fixez un micromètre et une pompe à vide. L'orifice mesure 5/16 po, un adaptateur peut être nécessaire.
- Évacuez le système à au moins 350 microns.
- Fermez le robinet de la pompe à vide et vérifiez le microvacuomètre. Si ce dernier augmente au-dessus de 150 microns en 60 secondes, l'évacuation est incomplète ou il y a une fuite dans le système. Si le microvacuomètre n'augmente pas au-dessus de 150 microns en 60 secondes, l'évacuation est complète.
- Une fois l'évacuation terminée, retirez l'adaptateur et le raccord du flexible de l'orifice de la conduite d'aspiration et remplacez le capuchon.
- L'unité extérieure doit être sous tension durant l'évacuation et la libération du réfrigérant.



# Instructions d'installation

## Étape 3 – Installation de l'unité extérieure (Suite)

### G. Chargement du frigorigène

Si l'installation exige une tuyauterie de cuivre supérieure à 25 pi (7,6 m), alors ajoutez 0,2 oz de R-410A dans le système pour chaque pied additionnel de tuyauterie.

- Ajoutez tout frigorigène supplémentaire après l'évacuation à l'aide d'une balance numérique.  
REMARQUE : Chargez du liquide seulement.
- Remplissez l'étiquette de charge du frigorigène avec de l'encre indélébile.
- Déposez la charge de fluide frigorigène d'origine figurant sur la plaque signalétique extérieure dans la boîte numéro 1.
- Inscrivez la quantité de frigorigène additionnelle (ajoutée) dans la case numéro 2.
- Additionnez les valeurs des cases 1 et 2 et placez le résultat dans la case d'addition (D).
- Apposez l'étiquette remplie à proximité de l'orifice de charge, sous la plaque de recouvrement de l'unité extérieure.
- Inscrivez les quantités sur l'unité extérieure à l'aide d'un marqueur à l'encre permanente au-dessus de l'orifice de recharge si aucune étiquette n'est présente.
- Retirez le capuchon du robinet de la conduite de liquide. À l'aide d'une clé hexagonale, ouvrez le robinet, puis replacez et serrez le capuchon.
- Retirez le capuchon du robinet de la conduite d'aspiration. À l'aide d'une clé hexagonale, ouvrez le robinet, puis replacez et serrez le capuchon.
- À l'aide de ruban à superposition, enveloppez ensemble la tuyauterie, le flexible d'évacuation du condensat et le câblage 14/4 AWG en commençant par le bas de l'ensemble et jusqu'à l'orifice de tuyauterie.
- Utilisez un scellant pour étancher l'orifice de tuyauterie afin d'empêcher les intempéries de pénétrer dans le bâtiment.

Contient des gaz à effet de serre fluorés assujettis au protocole de Kyoto. \_\_\_\_\_ A

**R454B**

1 =  OZ B

2 =  OZ C

1+2 =  OZ D

F E

The diagram shows a rectangular label with a header line 'A' containing the text 'Contient des gaz à effet de serre fluorés assujettis au protocole de Kyoto.' Below this is a box labeled 'R454B'. To the right of the box are three rows of input fields: '1 = [ ] OZ' (labeled 'B'), '2 = [ ] OZ' (labeled 'C'), and '1+2 = [ ] OZ' (labeled 'D'). At the bottom of the label, there are two small diagrams labeled 'F' and 'E' showing a charging port and a service valve respectively.

Ce produit contient des gaz à effet de serre fluorés assujettis au protocole de Kyoto. Ne le ventilez pas dans l'atmosphère.

Type de frigorigène : R-454B

Valeur PRG\* : 466

PRG : Potentiel de réchauffement global

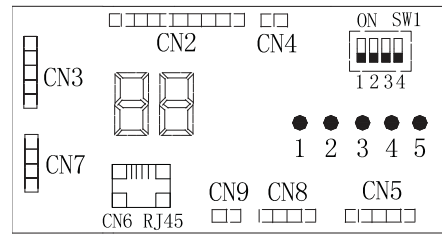
# Instructions d'installation

## Étape 4 – Vérification finale

### D. Test de vérification du câblage

clignotement en vert du voyant correspondant.

Coupez l'alimentation électrique au disjoncteur. Mettez tous les commutateurs DIP du groupe SW1 sur ON. Lorsque l'alimentation électrique est rétablie, l'écran DEL va alterner entre la fréquence du compresseur et le code CH (check : vérification). Le système fera fonctionner chaque unité (A, B, C, D, et E), en exécutant des cycles marche-arrêt de chaque soupape de détente électronique tout en testant le câblage. La réussite d'un test sera signalée par l'allumage constant en vert du voyant correspondant (1=A, 2=B, 3=C, 4=D, 5=E). Les unités mal câblées vont générer un code EC sur l'écran avec



| Vert LEDs  |               |               |               |               |               | Message   |
|--|---------------|---------------|---------------|---------------|---------------|---|
| Affichage  | 1 (Orifice A) | 2 (Orifice B) | 3 (Orifice C) | 4 (Orifice D) | 5 (Orifice E) |   |
| <b>88</b><br>Indique la vitesse du compresseur. Les numéros clignotants sont des anomalies actuelles | ARRÊT         |               |               |               |               | Pas d'alimentation à l'unité. L'unité est récemment mise sous tension et la communication a commencé.<br><br>Le VOYANT ALLUMÉ indique que cette unité intérieure a créé un chemin de communication et qu'elle fonctionnera. Le VOYANT ÉTEINT indique qu'il n'y a pas d'unité intérieure installée ou que la communication est mauvaise. |
|  | MARCHE/ARRÊT  |               |               |               |               |   |

### Explication du fonctionnement à l'utilisateur final

- À l'aide du manuel d'utilisation, expliquez à l'utilisateur comment utiliser le climatiseur/la thermopompe (la télécommande, l'ajout/le retrait des filtres à air, placer ou retirer la télécommande de son support, les méthodes de nettoyage, les mesures de précaution relatives au fonctionnement, etc.).
- Réviser les mesures de précaution relatives au fonctionnement.
- Recommander à l'utilisateur de lire attentivement les instructions d'utilisation.

### Contrôleur central UACT32A (accessoire en option)

Si vous installez un contrôleur central, utilisez un fil SOOW blindé 16/2 AWG conforme à la communication RS485 et connectez le câblage aux bornes C1 et C2 du bornier de l'unité extérieure. Voyez la section C de l'étape 3 de ce manuel pour connaître l'emplacement de C1 et C2 sur le bornier.

# Instructions d'installation

## Liste de vérification pour l'installation

- Aucune fuite de gaz dans la tuyauterie?
- La tuyauterie est-elle isolée correctement?
- Le câblage de connexion des unités intérieure est-il inséré solidement dans le bornier?
- Le câblage de connexion des unités intérieure et extérieure est-il attaché?
- Le condensat s'évacue-t-il correctement?
- Le fil de terre est-il solidement connecté? L'unité intérieure est-elle solidement fixée?
- Le courant de la source d'alimentation électrique est-il compatible avec le code de l'électricité local?
- Des bruits irréguliers se font-ils entendre?
- La température de refroidissement descend-elle entre 20 et 30 °F (-6,7 et -1,1 °C)?
- La température de réchauffement monte-t-elle entre 35 et 40 °F (1,7 et 4,4 °C)?
- L'affichage de la température ambiante est-elle précise?
- Y a-t-il une absence de continuité entre les pôles électriques?
- Le jumelage des tuyaux de réfrigérant et du câble électrique est-il correct?
- La tension d'alimentation est-elle conforme aux tolérances?
- L'essai sous vide est-il terminé?
- Du réfrigérant a-t-il été ajouté en raison d'une longueur de tuyau supplémentaire?
- Le montage est-il de niveau et sécuritaire?
- Un sectionneur électrique est-il visible depuis l'unité extérieure?
- Le calibre du sectionneur électrique est-il correct?
- Les robinets d'arrêt sont-ils complètement ouverts?
- Un extincteur est-il à portée de main?
- Les sources d'inflammation ouvertes sont-elles éteintes pour la mise en service?

## Liste de vérification pour l'entretien

- Nettoyage saisonnier des serpentins (2 fois par an).
- Nettoyage du canal d'air de l'unité extérieure et du dissipateur thermique/des pales de ventilateur de l'onduleur.
- Inspection/entretien de l'isolation du jeu de tuyaux frigorifiques.
- Enlèvement des insectes et des débris étrangers.

# Garantie limitée des appareils CVC sans conduits de GE Appliances

## GEAppliances.com

Veillez conserver votre reçu indiquant la date d'achat initiale et la date d'installation.

Cette Garantie limitée standard est attribuée à l'Acheteur initial du Produit pour les modèles énumérés sous l'Annexe 1 (le « Produit ») :

| Pour la période de :  |  |
|---|--|
| Garantie de 1 an pour la télécommande<br>À compter de la date d'installation initiale   | Si la télécommande s'avère défectueuse en raison d'un vice de fabrication et/ou de matière pendant une période d'un (1) an à compter de la date d'installation, GE Appliances fournira une télécommande neuve ou remise à neuf, à la seule discrétion de GE Appliances.  |
| Garantie limitée de 5 ans sur les pièces<br>À compter de la date d'achat initial  | Si toute pièce s'avère défectueuse en raison d'un vice de fabrication et/ou de matière pendant une période de cinq (5) ans à compter de la date d'installation, GE Appliances la remplacera sans frais. Les pièces utilisées pour le remplacement peuvent être des pièces neuves ou remises à neuf, déterminées à la seule discrétion de GE Appliances, et fournies à votre technicien-installateur CVC agréé.   |
| Garantie limitée enregistrée de 10 ans sur les pièces<br>À compter de la date d'installation initiale<br>(INSCRIPTION EN LIGNE REQUISE sur <b>GEAppliances.com</b> )<br>DOIT ÊTRE UNE MAISON UNIFAMILIALE RÉSIDENTIELLE | Si toute pièce s'avère défectueuse en raison d'un vice de fabrication et/ou de matière pendant une période de dix (10) ans à compter de la date d'installation, GE Appliances la remplacera sans frais. La pièce de remplacement est garantie pour le reste de la période de garantie initiale de dix (10) ans. Les pièces utilisées pour le remplacement peuvent être des pièces neuves ou remises à neuf, déterminées à la seule discrétion de GE Appliances, et fournies à votre technicien-installateur CVC agréé. Cette garantie limitée enregistrée sur les pièces nécessite un enregistrement en ligne dans les soixante (60) jours suivant la date d'installation ou d'occupation initiale.<br><br><b>LES APPLICATIONS NON RÉSIDENTIELLES/COMMERCIALES NE SONT PAS ADMISSIBLES À CETTE GARANTIE LIMITÉE ENREGISTRÉE SUR LES PIÈCES</b> |

## MAIN-D'ŒUVRE NON COUVERTE

Ces garanties limitées n'incluent PAS la main-d'œuvre ou tout autre coût encouru pour l'entretien, la maintenance, la réparation, le retrait, le remplacement, l'installation, le respect des codes locaux du bâtiment ou de l'électricité, l'expédition ou la manutention, le remplacement du système, des compresseurs ou d'autres pièces.

## COMPOSANTS EXCLUS

Les composants suivants ne sont pas couverts par cette garantie : armoires, pièces d'armoire, filtres à air, sécheurs, réfrigérant, ensembles de conduites de réfrigérant, courroies, câblage, fusibles, buses d'huile, accessoires de l'unité et toute pièce n'affectant pas le fonctionnement de l'unité.

## QUELLE EST LA DATE D'ACHAT :

La « Date d'achat » est la date à laquelle le produit est acheté par le Propriétaire initial. La « Date de l'installation » est la date à laquelle l'installation d'origine a été complétée et toutes les procédures de mise en service du Produit ont été correctement exécutées et vérifiées d'après la facture de l'installateur. Si la date d'installation ne peut être vérifiée, la Date d'installation sera soit soixante (60) jours après la date de fabrication, telle que déterminée par le numéro de série du Produit, soit trente (30) jours après la Date d'achat. Vous devez conserver et être en mesure de fournir votre ticket de caisse d'origine de l'installateur comme preuve de la Date d'achat et de la Date d'installation. Pour une nouvelle construction, la date d'achat sera la date d'achat de la résidence par le propriétaire du bâtiment.

# Garantie limitée des appareils CVC sans conduits de GE Appliances

## QUI EST COUVERT

Occupé par le propriétaire : Le « Propriétaire initial » désigne le propriétaire initial (et son conjoint) d'une famille unifamiliale résidentielle où le Produit a été installé à l'origine.

Non occupés par le propriétaire : Le terme « Non occupés par le propriétaire » est défini comme a) les immeubles résidentiels unifamiliaux ou multifamiliaux qui sont Non occupés par le propriétaire, ou b) les applications commerciales légères (comme les immeubles de bureaux, les établissements de vente au détail, les hôtels/motels).

Pour les immeubles ou applications Non occupés par le propriétaire, cette garantie limitée exige que le produit soit installé et entretenu annuellement par un technicien CVC agréé (une preuve d'entretien annuel est requise).

## COMMENT OBTENIR UN SERVICE D'INSTALLATION OU DE RÉPARATION :

Communiquez avec votre technicien-installateur CVC agréé. Toutes les installations et tous les entretiens doivent être effectués par un technicien CVC agréé. L'omission de recourir à un technicien en chauffage, ventilation et climatisation agréé pour l'installation de ce Produit annule toute garantie sur ce Produit.

## CE QUE GE APPLIANCES NE COUVRIRA PAS

- Entretien ou installation incorrects.
- Les dommages survenus pendant l'expédition.
- Les défauts qui ne sont pas attribuables au fabricant (c.-à-d. autres que les vices de matière et de main-d'œuvre).
- Les dommages résultant d'un mauvais usage, d'un abus, d'un accident, d'une modification, d'un manque de soins appropriés.
- Les dommages résultant d'une inondation, d'un incendie, du vent, de la foudre, d'un accident ou de conditions similaires.
- Produit qui n'a pas été installé ou entretenu par un technicien CVC agréé.
- La main-d'œuvre et les services connexes pour la réparation ou l'installation du Produit.
- Un Produit acheté auprès d'un revendeur en ligne non autorisé.
- Les dommages résultant de l'exposition du Produit à une atmosphère qui comporte des substances corrosives ou des niveaux élevés de particules (telles que suie, aérosols, vapeurs, graisse).
- Modification, changement ou altération de l'équipement, sauf directive écrite de GE Appliances.
- Utilisation de réfrigérant contaminé ou non compatible avec l'unité.
- Fonctionnement avec des composants du système (unité intérieure, unité extérieure et dispositifs de contrôle du réfrigérant) qui ne correspondent pas à l'AHRI ou ne répondent pas aux spécifications recommandées par GE Appliances.
- Un Produit vendu et/ou installé à l'extérieur des cinquante (50) États des États-Unis, du district de Columbia ou du Canada.
- Les piles du contrôleur et des autres accessoires fournis avec le Produit pour l'installation (p.ex. flexible en plastique).
- L'entretien normal tel que le nettoyage des serpentins et des filtres et la lubrification.
- Un Produit installé dans un immeuble occupé par de(s) non propriétaire(s) s'il n'a pas fait l'objet d'un entretien annuel par un technicien en chauffage, ventilation et climatisation
- Les piles du contrôleur et des autres accessoires fournis avec le Produit pour l'installation (p.ex. flexible en plastique).
- L'entretien normal tel que le nettoyage des serpentins et des filtres et la lubrification.
- Un Produit installé dans un immeuble occupé par de(s) non propriétaire(s) s'il n'a pas fait l'objet d'un entretien annuel par un technicien en chauffage, ventilation et climatisation agréé (preuve requise).
- Les dommages résultant de l'utilisation d'un composant ou d'une pièce usagés ou non approuvés par GE Appliances (p.ex. un condenseur ou une unité de traitement d'air usagés et/ou non approuvés).
- Des composants ou des pièces non fournis par GE Appliances.
- Un produit qui a été déplacé de son installation d'origine vers une nouvelle résidence ou un nouveau bâtiment.
- Accident, négligence ou utilisation ou fonctionnement déraisonnable de l'équipement, y compris l'utilisation de l'équipement électrique à des tensions autres que celles spécifiées sur la plaque signalétique de l'appareil (y compris les dommages causés par les baisses de tension).
- Tout dommage occasionné par un accident, un incendie, une inondation ou une catastrophe naturelle.
- Dommages accessoires ou indirects causés par d'éventuels défauts de ce produit.

# Garantie limitée des appareils CVC sans conduits de GE Appliances

## DROITS LÉGAUX

Certains États et provinces n'autorisent pas l'enregistrement des conditions de garantie. Dans ces États et provinces, la garantie limitée enregistrée de 10 ans sur les pièces s'applique. En outre, si la loi de l'État ou de la province où le produit est installé le permet, les propriétaires ultérieurs de la résidence ou du bâtiment peuvent avoir des droits supplémentaires ou des conditions de garantie plus longues.

## EXIGENCES RELATIVES À LA COUVERTURE DE LA GARANTIE LIMITÉE ENREGISTRÉE SUR LES PIÈCES :

- L'appareil est un appareil GE Appliances.
- L'appareil est installé dans une application résidentielle.
- L'appareil est correctement enregistré sur **GEAppliances.com** dans les 60 jours suivant la date d'installation ou d'occupation initiale.
- L'appareil fait partie d'un système AHRI complet et il est installé par un entrepreneur certifié ou agréé conformément aux instructions d'installation, de fonctionnement et d'entretien fournies avec l'unité.
- Les unités intérieures et extérieures sans conduits ne sont couvertes que lorsqu'elles sont des appareils de marque GE Appliances et qu'elles sont achetées et installées en tant que système avec un appareil admissible. (Les serpentins de tierce partie ne sont pas couverts).
- L'installation est conforme aux lois, règlements, codes et ordonnances applicables.
- L'appareil n'a pas été commandé sur Internet. Une preuve d'achat peut s'avérer nécessaire.

## EXCLUSION DE GARANTIES IMPLICITES :

**SAUF DANS LA MESURE INTERDITE PAR LA LOI APPLICABLE, CETTE GARANTIE LIMITÉE EST EXCLUSIVE ET REMPLACE TOUTE AUTRE GARANTIE, EXPRESSE OU IMPLICITE, Y COMPRIS, MAIS SANS S'Y LIMITER, TOUTE GARANTIE IMPLICITE DE QUALITÉ MARCHANDE ET D'ADÉQUATION À UN USAGE PARTICULIER.**

GE APPLIANCES NE POURRA EN AUCUN CAS ÊTRE TENU RESPONSABLE DES DOMMAGES INDIRECTS, ACCESSOIRES, SPÉCIAUX OU CONSÉCUTIFS, Y COMPRIS, SANS S'Y LIMITER, LA PERTE DE CLIENTÈLE, LA PERTE DE REVENUS OU DE PROFITS, L'ARRÊT DE TRAVAIL, LA DÉFAILLANCE DU SYSTÈME, LA DÉTÉRIORATION OU LES DOMMAGES À D'AUTRES ÉQUIPEMENTS OU MARCHANDISES, LES COÛTS DE RETRAIT ET DE RÉINSTALLATION DU SYSTÈME, LA PERTE D'UTILISATION, LES BLESSURES AUX PERSONNES OU AUX BIENS DÉCOULANT DE OU LIÉS AU SYSTÈME. LA RESPONSABILITÉ TOTALE DE GE APPLIANCES, LE CAS ÉCHÉANT, EN VERTU DE CETTE GARANTIE LIMITÉE NE DOIT PAS DÉPASSER LA VALEUR DE LA FACTURE PAYÉE PAR LE CLIENT POUR LE SYSTÈME FAISANT L'OBJET D'UNE RÉCLAMATION OU D'UN LITIGE.

CERTAINS ÉTATS N'AUTORISENT PAS L'EXCLUSION OU LA LIMITATION DES DOMMAGES ACCESSOIRES OU CONSÉCUTIFS, OU AUTORISENT LES RENONCIATIONS DE GARANTIES IMPLICITES, DE SORTE QUE LES LIMITATIONS OU EXCLUSIONS CI-DESSUS PEUVENT NE PAS S'APPLIQUER AU CLIENT. CETTE GARANTIE LIMITÉE CONFÈRE AU CLIENT DES DROITS LÉGAUX SPÉCIFIQUES. LES CLIENTS PEUVENT ÉGALEMENT AVOIR D'AUTRES DROITS QUI VARIENT D'UN ÉTAT À L'AUTRE.

Le recours autorisé dans cette garantie est exclusif et il est accordé en remplacement de tout autre recours. Cette garantie ne couvre pas les dommages accessoires ou indirects. Certains États ou provinces ne permettent pas l'exclusion des dommages accessoires ou indirects, donc cette limitation peut ne pas s'appliquer à vous. Certaines États ou provinces ne permettent pas de limiter la durée d'une garantie implicite, donc cette limitation peut ne pas s'appliquer à vous. Cette garantie vous accorde des droits particuliers et il peut exister d'autres droits qui varient selon l'État ou la province. Cette garantie couvre les appareils dans les cinquante (50) États des États-Unis, du district de Columbia ou du Canada.

Cette garantie est attribuée par :

GE Appliances, a **Haier** company  
Louisville, KY 40225

# Garantie limitée des appareils CVC sans conduits de GE Appliances

**Clients des États-Unis :** Cette garantie limitée est étendue à l'acheteur d'origine pour les produits achetés relativement à une utilisation domestique à l'intérieur des États-Unis. En Alaska et à Hawaï, la garantie limitée n'inclut pas les coûts relatifs à l'expédition des appareils.

Dans certains États ou provinces, il est interdit d'exclure ou de limiter les dommages directs ou indirects. La présente garantie limitée vous confère des droits juridiques spécifiques. Vous pouvez bénéficier d'autres droits qui varient d'une province ou d'un État à l'autre. Pour connaître les droits dont vous bénéficiez dans votre région, communiquez avec des relations avec les consommateurs de votre région ou encore le Procureur général de votre État.

**Garant : GE Appliances, a Haier company**  
**Louisville, KY 40225**

## ANNEXE 1 :

Le Produit est défini comme des climatiseurs bibloc sans conduits de marque GE Appliances. Le Produit comporte deux (2) sous-catégories de biens : Les « Produits intérieurs et extérieurs » et les « Produits d'installation sélectionnés », définis ci-dessous : Les « Produits intérieurs et extérieurs » peuvent aussi être identifiés par les descriptions des numéros de modèle suivants : 1G\*, 2G\*, 3G\*, 4G\*, 5G\*, GA\* GS\*, US\*

Brochez votre reçu ici. Pour obtenir le service sous garantie, vous devez fournir la preuve de la date d'achat initial.

## Tenue de dossiers

Nous vous remercions de votre achat de ce produit GE Appliances. Ce manuel d'installation vous aidera à obtenir le meilleur rendement de votre nouvelle thermopompe.

Pour référence future, notez le modèle et le numéro de série situés sur l'étiquette située sur le côté de votre thermopompe, ainsi que la date d'achat. Attachez votre preuve d'achat à ce manuel pour vous aider à obtenir le service de garantie si nécessaire.

Pour enregistrer votre nouveau système GE Appliances Duct Free, rendez-vous sur [geappliancesairandwater.com](http://geappliancesairandwater.com) et entrez les informations de modèle / numéro de série sur cette page.

\_\_\_\_\_  
Numéro de modèle

\_\_\_\_\_  
Numéro de série

\_\_\_\_\_  
Date d'achat

# Notes

---

# **IMPORTANT**

**Ne retournez pas ce produit au magasin**

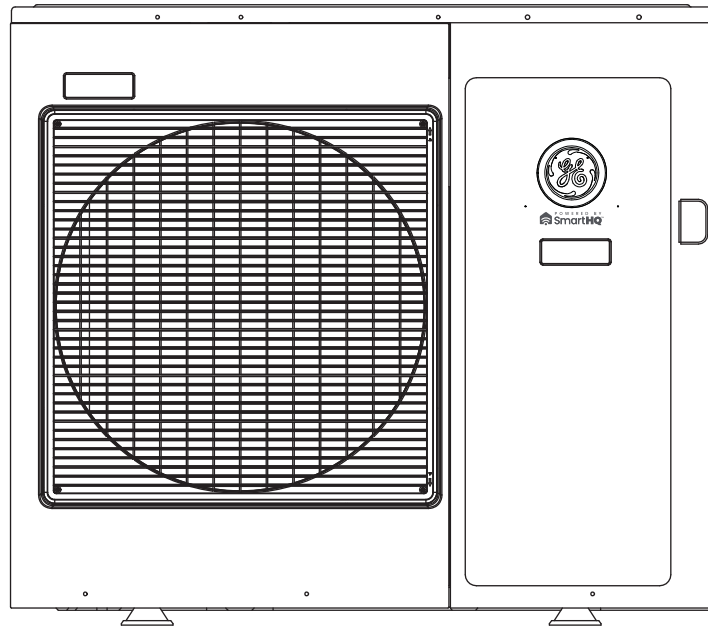
**En cas de problème avec ce produit, veuillez composer le 1-877-337-3639 pour obtenir le nom et le numéro de téléphone du centre de service autorisé le plus proche.  
UNE PREUVE D'ACHAT DATÉE EST REQUISE POUR LE SERVICE SOUS GARANTIE**



**GE APPLIANCES**

# Instrucciones de Instalación

## Unidad Exterior de Zona Múltiple Sin Conducto



**LEA Y GUARDE ESTAS INSTRUCCIONES**

# Índice

|  |    |
|--|----|
| CONTENIDOS DEL PAQUETE . . . . .                                 | 2  |
| INFORMACIÓN DE SEGURIDAD . . . . .                               | 3  |
| RANGO DE OPERACIÓN . . . . .                                     | 4  |
| REQUISITOS DE FUNCIONAMIENTO . . . . .                           | 7  |
| INSTRUCCIONES DE INSTALACIÓN . . . . .                           | 13 |
| Paso 1 - Controles y Preparación del Ambiente Exterior . . . . . | 24 |
| Paso 2 – Instalación de la Unidad de Interior . . . . .          | 25 |
| Paso 3 – Instalación de la Unidad de Exterior . . . . .          | 26 |
| Paso 4 – Control Final . . . . .                                 | 33 |
| GARANTÍA LIMITADA . . . . .                                      | 35 |

## Mantenimiento de Registros

Gracias por adquirir este producto de GE Appliances. Este manual de instalación le ayudará a lograr el mejor funcionamiento de la nueva unidad.

Para referencia futura, registre el modelo y número de serie ubicados en la etiqueta que se encuentra al costado de su acondicionador de aire, y la fecha de compra.

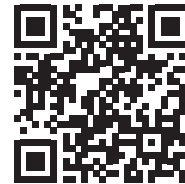
Abroche su comprobante de compra a este manual, como ayuda para acceder al servicio de la garantía de ser necesario..

Para registrar su Nuevo Sistema sin Conducto de GE Appliances visite [GEAppliances.com/ductless](http://GEAppliances.com/ductless) e ingrese la información del número de modelo/ serie en esta página.

Número de modelo

Número de serie

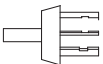
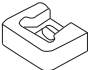

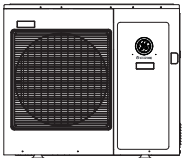
Fecha de compra



Este manual contiene instrucciones de instalación para la unidad exterior múltiple únicamente. Para la instalación de la unidad interior, por favor consulte el manual de instalación de la unidad interior.

## Contenidos del Paquete

### Artículos Incluidos

| Nº. | Parte   | Nombre de las Partes | Cantidad (La mayoría de los modelos) | Cantidad (modelos (5G42ED2B**)) |
|-----|---|----------------------|--------------------------------------|---------------------------------|
| 1   |  | Codo de drenaje      | 2                                    | 4                               |
| 2   |  | Almohadilla de goma  | 4                                    | 4                               |
| 3   |  | Abrazadera           | 3                                    | 4                               |
| 4   |  | Unidad Exterior      | 1                                    | 1                               |

# Rango de Operación

---

La siguiente información enumera el rango operativo específico para cada modelo.

**2G18AD2B\*\* / 3G24AD2B\*\* /  
4G36AD2B\*\***

Enfriamiento: 14°F -115° F  
Calefacción: -4°F -75°F

**2G20ED2B\*\* / 3G24ED2B\*\* / 4G36ED2B\*\* /  
5G42ED2B\*\***

Enfriamiento: 14°F -115° F  
Calefacción: -15°F -75°F

## NOTAS:

- La unidad dejará de funcionar cuando la temperatura exterior sea inferior a -22°F (-30°C). La unidad reanudará su funcionamiento de forma automática cuando la temperatura se eleve por encima del límite de temperatura baja. El código de error "Lo" (Bajo) aparecerá en la pantalla de diagnóstico exterior.
- Para lograr el funcionamiento más eficiente, use la unidad interior con la velocidad del ventilador en el modo Auto (Automático). En el modo Cooling (Refrigeración), use una temperatura de 78°F (25.5°C) o superior. En el modo Heating (Calefacción), use una temperatura de 73°F (22.5°C) o inferior.
- Se recomienda tener una fuente de calefacción secundaria disponible en caso de que la temperatura caiga por debajo del rango de operación.

# Información Importante de Seguridad

## **⚠️ ADVERTENCIA**

**Para su seguridad, siga las instrucciones de este manual a fin de minimizar riesgos de incendio, descargas eléctricas o lesiones personales.**

- Use este equipo sólo para su propósito original, como se describe en el Manual del Usuario.
- Este acondicionador de aire deberá ser instalado de forma apropiada de acuerdo con las Instrucciones de Instalación antes de su uso.
- Todo el cableado deberá ser adecuado al valor de la corriente que figura en la placa de calificación. Use cables de cobre únicamente.
- Todo el trabajo eléctrico deberá ser completado por un electricista calificado y de acuerdo con los códigos de construcción locales y nacionales.
- Todos los acondicionadores de aire contienen refrigerantes, los cuales de acuerdo con la ley federal y/o local deberán ser retirados antes de descartar el producto. Si se deshará de un producto viejo que posee refrigerantes, consulte a la compañía a cargo del manejo de productos descartados.
- Estos sistemas de bombas de calor R454B requieren que los contratistas y técnicos usen herramientas, equipamientos y estándares de seguridad aprobados para su uso con este refrigerante
- NO use equipamiento certificado para refrigerante R22, R32 o R410A únicamente.

## **⚠️ ADVERTENCIA**

**RIESGO DE DESCARGA ELÉCTRICA. Puede ocasionar lesiones o la muerte.**

- Una conexión a tierra adecuada es esencial antes de realizar la conexión al suministro de corriente o la carga de refrigerante.
- Desconecte todos los suministros de corriente eléctrica conectados antes de realizar el servicio técnico.
- Los cables para construcciones de aluminio pueden presentar problemas especiales – consulte a un electricista calificado.
- Las condiciones circundantes (temperatura ambiente, luz solar directa, y agua de lluvia) se deberán tener en cuenta durante el cableado eléctrico, tomando medidas de protección efectivas.
- Se deberá usar el circuito de empalmes dedicado, y se deberá realizar la instalación de un protector de pérdidas con suficiente capacidad.
- Repare o reemplace de inmediato todos los cables de corriente pelados o con cualquier tipo de daño. No use un cable con cortes o daños por abrasión sobre su extensión o en cualquiera de sus extremos.
- Cuando la unidad se encuentre en la posición STOP (Detenida), aún llegará voltaje a los controles eléctricos.
- Se deberá usar cable de cobre en línea con los estándares locales para la línea de corriente y el cable de conexión.
- Tanto la unidad interior como la exterior se deberán conectar a tierra correctamente.
- El cableado de la unidad exterior se deberá hacer primero y luego el de la unidad interior. El acondicionador de aire sólo podrá recibir alimentación luego del cableado y la conexión de tuberías.

## **⚠️ ADVERTENCIA**

**RIESGO DE INCENDIO. Puede ocasionar lesiones o la muerte.**

- No guarde ni use materiales combustibles, gasolina u otros vapores inflamables y líquidos cerca de éste o de otros electrodomésticos.

## **⚠️ PRECAUCIÓN**

- No use un prolongador con este sistema.
- Los cables para construcciones de aluminio pueden presentar problemas especiales – consulte a un electricista calificado.
- Si la unidad posee un sistema de detección de pérdidas instalado, ésta deberá estar enchufada excepto cuando se realice el servicio técnico.

## LEA Y GUARDE ESTAS INSTRUCCIONES

# Información Importante de Seguridad

Para solicitar más ayuda, visite [GEAppliancesAirandWater.com](http://GEAppliancesAirandWater.com) o llame a la línea de soporte técnico al 1.844.487.9443

## ANTES DE COMENZAR

Lea estas instrucciones en su totalidad y atentamente.

- **IMPORTANTE** – Conserve estas instrucciones para uso del inspector local.
- **IMPORTANTE** – Cumpla con todos los códigos y ordenanzas gubernamentales.
- **Nota para el Instalador** – Asegúrese de que el Comprador conserve estas instrucciones.
- **Nota para el Comprador** – Conserve estas instrucciones para referencia futura.
- **Nivel de habilidad** – La instalación de este sistema de acondicionador de aire split deberá ser realizada por un técnico licenciado y certificado (para manejar refrigerante, recuperación, etc.) y por un electricista.
- La correcta instalación del producto es responsabilidad del instalador.
- Si se producen fallas en el producto debido a una instalación inadecuada, la Garantía no cubrirá las mismas.
- Para su seguridad personal, este sistema deberá estar correctamente conectado a tierra.
- Los dispositivos de protección (fusibles o disyuntores) aceptables para la instalación aparecen especificados en la placa de cada unidad.
- Para cualquier reparación que requiera el ingreso al sistema de refrigeración sellada, las regulaciones federales solicitan que el trabajo sea realizado por un técnico que posea una certificación Clase II o Universal.

### ⚠ ADVERTENCIA

- Este producto no deberá ser usado por personas (incluyendo niños) con capacidades físicas, sensoriales o mentales reducidas o con falta de experiencia y conocimiento, a menos que cuenten con supervisión o instrucción en relación al uso de este electrodoméstico por parte de una persona responsable de su seguridad.
- Se deberá supervisar a los niños a fin de asegurar que no se juegue con el producto.
- Asegúrese de que la unidad se instale de acuerdo con los códigos de cableado local y nacional.
- Para consultar las dimensiones del espacio necesario para la correcta instalación del electrodoméstico, incluyendo las distancias mínimas permitidas en relación a las estructuras adyacentes, consulte este documento.
- Asegúrese de que sólo las unidades aprobadas se conecten juntas, y que todas las dimensiones de tuberías de refrigerante y requisitos de carga de refrigerante se cumplan a fin de evitar que se exceda la presión máxima de funcionamiento.
- SOLO las unidades conectadas que posean la etiqueta del mismo refrigerante.
- Cualquier daño sobre el suministro de electricidad deberá ser reemplazado por el fabricante, su agente de servicios o personas con calificación similar a fin de evitar riesgos.
- Se deberán incorporar medios de desconexión en el cableado fijo, de acuerdo con las reglas del cableado. El rango de amperaje de la desconexión deberá poseer por lo menos un 115% de la Ampacidad Mínima del Circuito que figura en la placa de especificaciones técnicas de este producto. La desconexión deberá estar instalada a la vista y contar con fácil acceso. Consulte el código de electricidad local y nacional para conocer cualquier requisito adicional especificado en la región donde se realice la instalación.

### Conciencia sobre la Seguridad

1. **Procedimientos:** El funcionamiento se deberá realizar de acuerdo con procedimientos controlados, a fin de minimizar la probabilidad de riesgos.
2. **Área:** El área se deberá dividir y aislar de forma apropiada, y se deberá evitar el funcionamiento en un espacio cerrado. Antes de iniciar el sistema de refrigeración o antes del funcionamiento con calor, se deberá garantizar la ventilación o la apertura del área.
3. **Inspección del sitio:** Se deberá controlar el refrigerante.
4. **Control de incendios:** Un extintor de incendios y un letrero de «No Fumar» se colocarán en el área de instalación mientras se realice esta última. El área de instalación permanecerá libre de fuentes de incendio/ ignición durante la instalación.

## LEA Y GUARDE ESTAS INSTRUCCIONES

# Información Importante de Seguridad

## Inspección del Desembalaje

Unidad interior: el nitrógeno se encuentra sellado durante la entrega de las unidades interiores (dentro del evaporador), y la señal roja en la parte superior de la tapa de sellado plástica verde en las tuberías de aire del evaporador de la unidad interior se deberán evaluar primero, luego del embalaje. En caso de que la señal se eleve, el sellado del nitrógeno aún existe. Luego, la tapa de sellado plástica negra en la unión de las tuberías de líquido del evaporador de la unidad interior se deberán presionar para comprobar que el nitrógeno aún existe. En caso de que no se libere nitrógeno, asegúrese de que la unidad interior no posea una pérdida antes de continuar con la instalación.

## Inspección del Ambiente de Instalación

1. Se deberá evitar ubicar el suministro de corriente, interruptores u otros artículos que posean altas temperaturas, tales como una fuente de ignición y un calentador de aceite, debajo de la unidad interior.
2. Se deberá evitar ubicar el suministro de corriente, interruptores u otros artículos que posean altas temperaturas, tales como una fuente de ignición y un calentador de aceite, debajo de la unidad interior.
3. El suministro de corriente se deberá brindar con el cable a tierra y éste deberá estar correctamente conectado a tierra.
4. El usuario deberá verificar de antemano si las tuberías de agua/electricidad/gas están ocultas en la pared en lugares que puedan ser perforado con un taladro eléctrico. Se recomienda que los agujeros en la pared reservados se usen tanto como sea posible.

## Principios de Seguridad en la Instalación

1. Se deberá mantener una ventilación favorable en el lugar de la instalación (las puertas y ventanas estarán abiertas).
2. Fuego abierto o una fuente de calor en alta temperatura (incluyendo soldadura, humo y horno) superiores a 548 no se permitirán dentro del alcance del refrigerante inflamable.
3. Se deberán tomar medidas anti estática, tales como el uso de vestimentas de algodón y guantes de algodón.
4. El lugar de la instalación deberá ser conveniente para la instalación o el mantenimiento y no podrá estar adyacente a la fuente de calor y en un ambiente inflamable o combustible.
5. En caso de haber pérdida de refrigerante de la unidad interior durante la instalación, la válvula de la unidad exterior se deberá cerrar de inmediato, y las ventanas se deberán abrir y todo el personal deberá ser evacuado. Una vez manejada la pérdida de refrigerante, el ambiente interior estará sujeto a la detección de concentraciones. No se permitirá continuar con la manipulación hasta haber alcanzado el nivel de seguridad.
6. En caso de que el producto esté dañado, éste se deberá entregar en el punto de mantenimiento. No se permite la realización de soldaduras de tuberías de refrigerante en el lugar del usuario.
7. La posición de instalación del acondicionador de aire será conveniente para su instalación o mantenimiento. Se deberá evitar la existencia de barreras alrededor de la entrada/ salida de aire de la unidad interior/ exterior, y del artefacto eléctrico, interruptores de corriente, fichas, objetos de valor, y producto a altas temperaturas dentro del alcance sobre ambos márgenes de la unidad interior.

### **▲ ATTENTION**

- El refrigerante sólo deberá ser agregado o retirado por un técnico de HVAC con licencia.
- Antes de agregar un refrigerante adicional, realice la purga de aire de las tuberías de refrigerante y de la unidad interior usando una bomba de vacío, y luego cargue el refrigerante adicional.

**LEA Y GUARDE ESTAS INSTRUCCIONES**

# Requisitos de Funcionamiento

## Requisitos de Funcionamiento, Servicio e Instalación de Electrodomésticos que Utilizan Refrigerantes Inflamables

### ⚠ ADVERTENCIA

- No use medios para acelerar el proceso de descongelación o para limpiar que no sean los recomendados por el fabricante.
- El electrodoméstico deberá ser almacenado en una sala donde no haya fuentes de encendido continuas (por ejemplo: llamas abiertas, un electrodoméstico a gas en funcionamiento o un calefactor eléctrico en funcionamiento).
- No perforar ni quemar.
- Tenga presente que los refrigerantes no deben tener olor.



**Advertencia;** Materiales Inflamables, clase de Refrigerante de acuerdo con el ISO 817



**Manual del Propietario;** Instrucciones de Instalación



**Lea el Manual del Propietario**



**Indicador del Servicio Técnico;** Lea el Manual Técnico

### General

- Durante la instalación, debido a las tuberías de refrigerante extendidas, se podrá cargar **REFRIGERANTE** adicional. Por favor, complete la etiqueta del **REFRIGERANTE** provista con este manual, y de forma segura pegue la misma cerca de la marca del electrodoméstico.
- La manipulación, instalación, limpieza, servicio técnico y descarte de refrigerante deberán cumplir con la regulación local y las instrucciones.
- El servicio técnico deberá ser realizado sólo de acuerdo con las recomendaciones del fabricante.
- Los espacios donde se permiten las tuberías de refrigerante deberán cumplir con el requisito siguiente:
  - que el material de la tubería, el recorrido de la tubería, y la instalación incluyan protección frente a daños físicos en el funcionamiento y servicio técnico, y que cumplan con los códigos y estándares nacionales y locales, tales como **ASHRAE 15, Código Mecánico Uniforme de IAPMO** (IAPMO Uniform Mechanical Code), **Código Mecánico Internacional ICC** (ICC International Mechanical Code), o **CSA B52**. Todas las uniones deberán estar accesibles para su inspección antes de ser cubiertas o cerradas.
  - que la instalación de las tuberías se reduzca al mínimo.
  - que las conexiones mecánicas realizadas en las juntas realizadas en la instalación entre las partes del sistema de refrigeración sean accesibles para propósitos de mantenimiento.
  - que los dispositivos de protección y accesorios estén protegidos tanto como sea posible contra efectos ambientales adversos; por ejemplo: el peligro de agua recolectada y congelada en tuberías de descarga o la acumulación de suciedad y polvo.
  - que la tubería en los sistemas de refrigeración esté diseñada e instalada para minimizar la posibilidad de daños por arietes hidráulicos que dañen el sistema.
  - que se tomen las precauciones necesarias para evitar vibraciones o pulsaciones excesivas.

# Requisitos de Funcionamiento

## Requisitos de Funcionamiento, Servicio e Instalación de Electrodomésticos que Utilizan Refrigerantes Inflamables

### General (cont)

- que luego de completar la instalación de las tuberías para los sistema de split, se realice una prueba de presión de las tuberías con gas inerte y luego que se realice una prueba de vacío antes de la carga de refrigerante, de acuerdo con los siguientes requisitos.
  - La prueba de presión mínima del lado bajo del sistema será la presión diseñada para el lado bajo y la prueba de presión mínima del lado alto del sistema será la presión diseñada para el lado alto, a menos que el lado alto del sistema no se pueda aislar del lado bajo del sistema, caso en el cual se realizará una prueba de presión de todo el sistema utilizando la presión diseñada para el lado bajo.
  - La presión de prueba luego del retiro de la fuente de presión se mantendrá durante por lo menos 1 hora sin reducción de la presión indicada por el calibrador, sin que la resolución del calibrador exceda el 5% de la presión de prueba.
  - Durante la prueba de evacuación, luego de alcanzar un nivel de vacío especificado en el manual o menos, el sistema de refrigeración será aislado de la bomba de vacío y la presión no superará los 1500 micrones dentro de los 10 minutos. El nivel de presión de vacío aparecerá especificado en el manual, y será inferior o igual a 500 micrones o al valor requerido para el cumplimiento con los códigos y estándares nacionales y locales, los cuales podrán variar entre edificaciones residenciales, comerciales e industriales.
- que se realice una prueba de presión de las uniones de refrigerante realizadas en interior, de acuerdo con los siguientes requisitos: El método de prueba deberá poseer una sensibilidad de 5 gramos por año de refrigerante o mejor, bajo una presión de por lo menos 0.25 veces la presión máxima permitida. No se deberán detectar pérdidas.

### Calificación de los trabajadores

El manual deberá contener información específica sobre la calificación requerida del personal de trabajo para las operaciones de mantenimiento, servicio técnico y reparación. Cada procedimiento de trabajo que afecte los medios de seguridad sólo será realizado por personas competentes.

#### Ejemplos de tales procedimientos de trabajo son:

- penetración en el circuito de refrigerante;
- apertura de componentes sellados;
- apertura de espacio cerrado con ventilación.

Las personas competentes son entrenadas por organizaciones nacionales de capacitación o por fabricantes acreditados para enseñar los estándares de competencia nacional relevantes que puedan estar establecidos en la legislación. La competencia lograda deberá ser documentada por un certificado.

### Información sobre el servicio técnico

Antes de comenzar a trabajar en sistemas que contienen **REFRIGERANTES INFLAMABLES**, es necesario realizar controles de seguridad para asegurar que se minimice el riesgo de encendido. Para la reparación del **SISTEMA REFRIGERANTE**, se deberá completar el siguiente requisito antes de realizar el trabajo sobre el sistema:

- El trabajo se deberá realizar bajo un procedimiento controlado con el fin de minimizar el riesgo de que haya un gas o vapor inflamable presente mientras el trabajo es realizado.
- Todo el personal de mantenimiento y otras personas que trabajan en el área local recibirán instrucciones sobre la naturaleza del trabajo que se realiza. Se evitará el trabajo en espacios confinados.
- El área será controlada con un detector de refrigerante apropiado antes de y durante el trabajo, para asegurar que el técnico esté consciente de atmósferas potencialmente tóxicas o inflamables. Asegurará que el equipamiento de detección de pérdidas usado sea el adecuado para uso con todos los refrigerantes aplicables; es decir: libres de chispas, correctamente sellados o intrínsecamente seguros.
- Si se realiza cualquier trabajo de riesgo en el equipamiento del refrigerador o en cualquier parte asociada, estará al alcance de la mano un equipo extintor de incendios. Cuente con un extintor de incendios de polvo seco o CO2 adyacente al área de carga.

# Requisitos de Funcionamiento

## Requisitos de Funcionamiento, Servicio e Instalación de Electrodomésticos que Utilizan Refrigerantes Inflamables

### Información sobre el servicio técnico (cont.)

- Ninguna persona que realice un trabajo en relación al SISTEMA DE REFRIGERACIÓN que involucre la exposición a cualquier trabajo de tuberías usará una fuente de ignición de modo tal que pueda conducir a riesgos de incendio o explosión. Todas las fuentes de ignición posibles, incluyendo fumar cigarrillos, deberán encontrarse lo suficientemente alejadas del lugar de instalación, reparación, retiro o descarte, durante lo cual el refrigerante pueda ser liberado en el espacio circundante. Antes de que el trabajo tome lugar, el área alrededor del equipamiento deberá ser supervisada para asegurar que no existan riesgos con materiales inflamables o riesgos de encendido. Se exhibirán carteles de “No Fumar”.
- Asegúrese de que el área esté abierta y adecuadamente ventilada antes de ingresar al sistema o de realizar cualquier trabajo de riesgo. Continuará habiendo un grado de ventilación durante el período en el cual el trabajo es realizado. La ventilación deberá dispersar cualquier refrigerante liberado y preferentemente expulsarlo externamente en la atmósfera.
- Donde se cambien componentes eléctricos, estos deberán ajustarse al propósito y de acuerdo con la especificación correcta. En todo momento, se deberán seguir las pautas de mantenimiento y servicio técnico del fabricante. En caso de duda, solicite asistencia al departamento técnico del fabricante.
- Los siguientes controles se deberán aplicar a instalaciones donde se utilicen REFRIGERANTES INFLAMABLES:
  - las marcas sobre el equipamiento continúan siendo visibles y legibles. Las marcas y carteles que sean ilegibles deberán ser corregidos;
  - la tubería o componentes con refrigerante se deberán instalar en una posición donde sea improbable que queden expuestos a cualquier sustancia que pueda corroer los componentes que contengan refrigerante, a menos que estos componentes estén contruidos con materiales que sean inherentemente resistentes a la corrosión o que estén adecuadamente protegidos para no sufrir corrosión de este modo.
- La reparación y mantenimiento de los componentes eléctricos incluirán controles de seguridad iniciales y procedimientos de inspección de componentes. Si existe una falla que pueda comprometer la seguridad, entonces ningún suministro eléctrico deberá ser conectado al circuito hasta que se trate la misma de forma satisfactoria. Si no es posible corregir la falla de forma inmediata pero es necesario continuar con el funcionamiento, se usará una solución temporaria adecuada. Esto será reportado al dueño del equipamiento de modo que todas las partes sean advertidas.
- Las comprobaciones de seguridad iniciales incluirán:
  - que los capacitores estén descargados: esto se deberá hacer de modo tal que se evite la posibilidad de que haya chispas;
  - que ningún componente eléctrico o cableado queden expuestos mientras se esté cargado, recuperando o purgando el sistema;
  - que haya continuidad en la toma a tierra.

### Reparaciones de componentes sellados, componentes intrínsecamente seguros

- Los componentes eléctricos sellados se deberán reemplazar.
- Los componentes intrínsecamente seguros se deberán reemplazar.
- Reemplace los componentes sólo por partes especificadas por el fabricante. Otras partes podrán sufrir como resultado del incendio del refrigerante en la atmósfera a partir de una pérdida.

### Cableado

Compruebe que el cableado no esté expuesto al uso, corrosión, presión excesiva, vibración, extremos filosos o cualquier otro efecto ambiental adverso. La comprobación también deberá tener en cuenta los efectos del paso del tiempo o la vibración continua de fuentes tales como compresores de ventiladores.

# Requisitos de Funcionamiento

## Requisitos de Funcionamiento, Servicio e Instalación de Electrodomésticos que Utilizan Refrigerantes Inflamables

### Detección de refrigerantes inflamables

- Bajo ninguna circunstancia se deberán usar posibles fuentes de ignición para buscar o detectar pérdidas de refrigerante. No se deberá usar un soplete de haluro (o cualquier otro detector con una llama viva).
  - Los siguientes métodos de detección de pérdidas se consideran aceptables para todos los sistemas refrigerantes.
    - Se podrán usar detectores de pérdidas electrónicos para detectar pérdidas de refrigerante pero, en el caso de los **REFRIGERANTES INFLAMABLES** el nivel de sensibilidad podrá no ser el adecuado, o podrá ser necesario que se recalibre. (El equipamiento de detección se deberá recalibrar en un área libre de refrigerantes). Asegúrese de que el detector no sea una potencial fuente de ignición y que sea adecuado para el refrigerante usado. El equipamiento de detección de pérdidas se deberá configurar en un porcentaje del límite inferior de inflamabilidad (LFL) del refrigerante y se deberá calibrar de acuerdo con el refrigerante empleado; luego el porcentaje apropiado de gas (25% máximo) será confirmado.
    - Los líquidos de detección de pérdida también son adecuados para el uso con la mayoría de los refrigerantes, pero se deberá evitar el uso de detergentes que contengan cloro ya que el cloro podrá reaccionar con el refrigerante y corroer las tuberías de cobre.
- NOTA:** Ejemplos de líquidos de detección de pérdidas son:
- método con burbujas,
  - agentes de métodos fluorescentes.
- En caso de sospecha de pérdida, todas las llamas vivas se deberán eliminar/ extinguir.
  - Si se encuentra una pérdida de refrigerante que requiere soldadura, se deberá recuperar todo el refrigerante del sistema, o se deberá aislar (por medio de válvulas de cierre) en una parte del sistema distante de la pérdida. El retiro del refrigerante se deberá realizar de acuerdo con el manual.

### Retiro y evacuación

- Al ingresar al circuito de refrigerante para realizar reparaciones – o con cualquier otro propósito – se deberán usar procedimientos convencionales. Sin embargo, en el caso de los refrigerantes inflamables es importante que se sigan las mejores prácticas, ya que el nivel de inflamabilidad deberá ser considerado. El siguiente procedimiento deberá ser respetado:
  - a) de forma segura retire el refrigerante siguiendo las regulaciones locales y nacionales;
  - b) purgue el circuito con gas inerte;
  - c) abra el circuito cortando o soldando.
- La carga de refrigerante se deberá recuperar en los cilindros de recuperación adecuados en el caso de que los códigos local y nacional no permitan la ventilación. En el caso de aquellos electrodomésticos que contengan refrigerantes inflamables, el sistema será purgado con nitrógeno libre de oxígeno para que el electrodoméstico sea seguro para el uso de refrigerantes inflamables. Es posible que este proceso deba ser repetido varias veces.
- No se deberá usar aire comprimido u oxígeno para purgar sistemas refrigerantes.

### Procedimientos de Carga

- Además de los procedimientos de carga convencionales, se deberán seguir los siguientes requisitos.
  - Asegúrese de que no se produzca la contaminación de diferentes refrigerantes cuando se use el equipo de carga. Las mangueras y tubos deberán ser tan cortos como sea posible para minimizar la cantidad de refrigerante contenido en estos.
  - Los cilindros se mantendrán en una posición apropiada de acuerdo con las instrucciones.
  - Asegúrese de que el **SISTEMA DE REFRIGERACIÓN** esté conectado a tierra antes de cargar el sistema con refrigerante.
  - Etiquete el sistema cuando la carga se haya completado (si aún no se hizo).
  - Se deberá tener extremo cuidado de no sobrecargar el **SISTEMA DE REFRIGERACIÓN**.
- Antes de recargar el sistema, se deberá realizar una prueba de presión con el gas purgante adecuado. Se deberá realizar una prueba de pérdidas del sistema al completar la carga y antes de la puesta en marcha. Se deberá realizar una prueba de pérdidas subsiguiente antes de abandonar el sitio.

# Requisitos de Funcionamiento

## Requisitos de Funcionamiento, Servicio e Instalación de Electrodomésticos que Utilizan Refrigerantes Inflamables

### Desensamble

- Antes de realizar este procedimiento, es esencial que el técnico esté completamente familiarizado con el equipamiento y todos sus detalles. Se recomienda llevar a cabo buenas prácticas de modo que todos los refrigerantes sean recuperados de forma segura. Antes de que la tarea sea realizada, se deberá tomar una muestra del aceite y del refrigerante en caso de que se requiera un análisis antes de que se vuelva a usar un refrigerante recuperado. Es esencial contar con una conexión eléctrica antes de que la tarea sea iniciada.
  - a) Familiarícese con el equipamiento y su funcionamiento.
  - b) Aísle el sistema eléctrico.
  - c) Antes de intentar el procedimiento, asegúrese de que:
    - el equipamiento de manejo mecánico esté disponible, si se requiere, para manipular los cilindros del refrigerante;
    - todo el equipamiento de protección personal esté disponible y sea usado de forma correcta;
    - el proceso de recuperación sea supervisado en todo momento por una persona competente;
    - el equipamiento de recuperación y los cilindros cumplan con los estándares apropiados.
  - d) se bombee el sistema refrigerante, de ser posible.
  - e) Si no es posible aspirar, haga un colector de modo que el refrigerante se pueda retirar de las diferentes piezas del sistema.
  - f) Asegúrese de que el cilindro se encuentre situado sobre las básculas antes de que la recuperación se lleve a cabo.
  - g) Inicie la máquina de recuperación y opere la misma de acuerdo con las instrucciones.
  - h) No sobrecargue los cilindros (la carga líquida no deberá poseer un volumen superior al 80 %).
  - i) No supere la presión de funcionamiento máxima del cilindro, incluso de forma temporaria.
  - j) Cuando el cilindro se haya llenado de forma correcta y el proceso se haya completado, asegúrese de que los cilindros y el equipamiento sean retirados del sitio de forma inmediata y que todas las válvulas aisladas del equipamiento se encuentren cerradas.
  - k) El refrigerante recuperado no será cargado en otro **SISTEMA DE REFRIGERACIÓN** a menos que se haya limpiado y comprobado.

### Etiqueta

- El equipamiento deberá contar con una etiqueta que indique que fue desensamblado y que el refrigerante fue vaciado. La etiqueta deberá poseer fecha y firma. En el caso de aquellos electrodomésticos que contengan **REFRIGERANTES INFLAMABLES**, asegúrese de que las etiquetas sobre el equipamiento afirmen que el mismo contiene **REFRIGERANTE INFLAMABLE**.

# Requisitos de Funcionamiento

## Requisitos de Funcionamiento, Servicio e Instalación de Electrodomésticos que Utilizan Refrigerantes Inflamables

### Recuperación

- Al retirar refrigerante de un sistema, ya sea para realizar el servicio técnico o desensamble, se recomienda la aplicación de buenas prácticas a fin de que todos los refrigerantes sean retirados de forma segura.
- Al transferir refrigerante a los cilindros, asegúrese de que sólo se usen cilindros de recuperación de refrigerante adecuados. Asegúrese de contar con el número correcto de cilindros para almacenar la carga total del sistema. Todos los cilindros que se usarán fueron diseñados para el refrigerante recuperado y etiquetados para dicho refrigerante (es decir: cilindros especiales para la recuperación de refrigerante). Los cilindros estarán completos con la válvula de alivio de presión y las válvulas de cierre apropiadas en un orden de funcionamiento adecuado. Los cilindros de recuperación serán evacuados y, de ser posible, enfriados antes de que se realice la recuperación.
- El equipamiento de recuperación deberá contar con un orden de funcionamiento adecuado con un conjunto de instrucciones concernientes al equipamiento del cual se dispone, y deberá ser adecuado para la recuperación de todos los refrigerantes adecuados incluyendo, cuando corresponda, REFRIGERANTES INFLAMABLES. Además, estará disponible un conjunto de balanzas calibradas y en un orden de funcionamiento adecuado. Las mangueras deberán estar completas, con acoples de desconexión libres de goteos y en buenas condiciones. Antes de usar la máquina de recuperación, controle que posea un orden de funcionamiento satisfactorio, que se haya mantenido de forma apropiada y que cualquier componente eléctrico asociado se encuentre sellado, a fin de evitar incendios en caso de que se libere refrigeración. En caso de duda, consulte con el fabricante.
- El refrigerante recuperado se deberá devolver al proveedor de refrigerante en el cilindro de recuperación adecuado, y la nota de transferencia de desperdicio relevante deberá estar en orden. No mezcle refrigerantes en las unidades de recuperación y especialmente no lo haga en los cilindros.
- Si los compresores o el aceite para compresor no son retirados, asegúrese de que se los haya evacuado en un nivel aceptable, a fin de asegurar que no permanezca REFRIGERANTE INFLAMABLE dentro del lubricante. El proceso de evacuación deberá ser realizado antes de entregarle el compresor a los proveedores. Sólo se aplicará calefacción eléctrica al cuerpo del compresor para acelerar este proceso. Cuando se drene el aceite del sistema, se deberá transportar de forma segura.

# Instrucciones de Instalación

## Herramientas Requeridas para la Instalación

- |  |   |
|--|---|
| <ul style="list-style-type: none"><li>• Llave de 17mm, 22mm, 26mm o Llave Ajustable</li><li>• Cinta Adhesiva*</li><li>• Sujetador del Cable Conductor de 1/2”*</li><li>• Destornillador Phillips nº2</li><li>• Taladro</li><li>• Abocardador de R454b</li><li>• Llave Hexagonal</li><li>• Sierra de Agujero de 2 1/4”</li><li>• Aislante*</li><li>• Escala de refrigerante</li><li>• Nivel</li><li>• Calibrador de Colector</li><li>• Cinta de Medición</li><li>• Medidor de Micrones</li><li>• Adaptador para Mini Split (5/16” H a 1/4” M)</li></ul> | <ul style="list-style-type: none"><li>• Nitrógeno*</li><li>• Cortatubos</li><li>• Tubería de PVC (opcional)</li><li>• Cuchillo con Filo</li><li>• Escariador</li><li>• Abrazadera de Montura (L.S.) c/ tornillos</li><li>• Sellador, no expansible (para el orificio del juego de cables)</li><li>• Solución de jabón/ agua* o detector de pérdidas de gas</li><li>• Detector de montantes</li><li>• Llave Dinamométrica</li><li>• Bomba de Vacío</li><li>• Pelacables</li><li>• Todas las herramientas, medidores y dispositivos de prueba HVAC de uso habitual.</li></ul> <p>* consumible</p> |
|--|---|

## Suministrado por el Instalador

### **Juego de Tuberías de Refrigerante: para conocer los tamaños consulte la Placa de Calificaciones Técnicas de la Unidad Exterior**

- Cable de Cobre Trenzado No Cubierto SOOW de 14/4 AWG
- Refrigerante R454B (de ser necesaria una carga adicional, consulte la siguiente sección)
- Aislante de la Tubería de Refrigerante
- Tubería de PVC (opcional)
- Abrazadera para Tubería de Drenaje de Condensados
- Cable Trenzado Cubierto para comunicación de alta velocidad SOOW de 16/2 AWG
- Material para asegurar la unidad exterior a la base
- Soporte y base de la unidad
- Material de montaje sobre la base
  - Sugerencia: M10\*30 (el diámetro del perno es M10; la longitud del perno es 30 mm)
- Cable de suministro de corriente
- Desconexión eléctrica
- Disyuntor eléctrico

# Instrucciones de Instalación

## MATRICE DE COMPATIBILITÉ POUR SYSTÈME SANS CONDUITS MULTIZONE

| Adaptador | DESCRIPCIÓN                         | PARTE Nº de GE APPLIANCES |
|-----------|-------------------------------------|---------------------------|
| A         | Adaptador abocardado de 1/4" a 3/8" | WJ01X35713                |
| B         | Adaptador abocardado de 3/8" a 5/8" | WJ01X35714                |
| C         | Adaptador abocardado de 1/2" a 5/8" | WJ01X35715                |
| D         | Adaptador abocardado de 3/8" a 1/2" | WJ01X35716                |
| E         | Adaptador abocardado de 1/2" a 3/8" | WJ01X35717                |

| Modelos que pueden requerir adaptadores  |             |             |              |
|--|-------------|-------------|--------------|
| *1 - Estos modelos de 24K requieren juegos de cables de 3/8" para líquido y de 5/8" para vapor         |             |             |              |
| US24LB2BE**  | US24MB2BE** |             |              |
| *2 - Estos modelos de 24K requieren juegos de cables de 1/4" para líquido y de 1/2" para vapor         |             |             |              |
| QS24WB2BE**  | GS24WB2BE** | QS24WP2BE** | GS24WP2BHE** |
| Todos los modelos de 18K requieren juegos de cables de 1/4" para líquido y de 1/2" para vapor          |             |             |              |
| Todos los modelos de 7K, 9K y 12K requieren juegos de cables de 1/4" para líquido y de 3/8" para vapor |             |             |              |

### 2Q18FF2B\*\* / 2Q20RT2B\*\*

No se requieren adaptadores/ enviado con Modelos 2U

| Tamaño del Puerto | Posible Emparejamiento de Capacidad de la Unidad Interior (kBTU/hr) |             |
|-------------------|---|-------------|
|                   | Puerto A  | Puerto B    |
|                   | 1/4" X 3/8"   | 1/4" X 3/8" |
| DOS ZONE          | 7   | 7           |
|                   | 9   | 7           |
|                   | 9   | 9           |
|                   | 12  | 7           |
|                   | 12  | 9           |
|                   | 12  | 12          |
|                   | 15  | 7           |
|                   | 15  | 9           |

# Instrucciones de Instalación

Adaptadores requeridos en base a la capacidad de la unidad interior emparejada para 3Q24FF2B\*\* / 3Q24RT2B\*\*

Adaptadores requeridos/ enviados con el adaptador D.

Sin adaptadores requeridos para los Puertos B, A.

| Tamaño del Puerto | Posible Emparejamiento de Capacidad de la Unidad Interior (kBTU/hr) |                    |             |             |
|-------------------|---|--------------------|-------------|-------------|
|                   | Puerto C  |                    | Puerto B    | Puerto A    |
|                   | 1/4" X 3/8"   | Requiere Adaptador | 1/4" X 3/8" | 1/4" X 3/8" |
| <b>DOS ZONE</b>   | 7   | -                  | 7           |             |
|                   | 9   | -                  | 7           | -           |
|                   | 9   | -                  | 9           | -           |
|                   | 12  | -                  | 7           | -           |
|                   | 12  | -                  | 9           | -           |
|                   | 12  | -                  | 12          | -           |
|                   | 15  | -                  | 7           | -           |
|                   | 15  | -                  | 9           | -           |
|                   | 15  | -                  | 12          | -           |
|                   | 15  | -                  | 15          | -           |
|                   | 18  | D                  | 7           | -           |
|                   | 18  | D                  | 9           | -           |
|                   | 18  | D                  | 12          | -           |
|                   | 24  | A, B *1   D*1      | 7           | -           |
| 24                | A, B *1   D*1   | 9                  | -           |             |
| <b>TRES ZONE</b>  | 7   | -                  | 7           | 7           |
|                   | 9   | -                  | 7           | 7           |
|                   | 9   | -                  | 9           | 7           |
|                   | 9   | -                  | 9           | 9           |
|                   | 12  | -                  | 7           | 7           |
|                   | 12  | -                  | 9           | 7           |
|                   | 12  | -                  | 9           | 9           |
|                   | 12  | -                  | 12          | 7           |
|                   | 12  | -                  | 12          | 9           |
|                   | 15  | -                  | 7           | 7           |
|                   | 15  | -                  | 9           | 7           |
|                   | 15  | -                  | 9           | 9           |
| 18                | D   | 7                  | 7           |             |

# Instrucciones de Instalación

Adaptadores requeridos en base a la capacidad de la unidad interior emparejada para 4Q36FF2B\*\* / 4Q36RT2B\*\*

Adaptadores requeridos/ enviados con el adaptador D y E.

Sin adaptadores requeridos para los Puertos B, A.

| Tamaño del Puerto | Posible Emparejamiento de Capacidad de la Unidad Interior (kBTU/hr) |                                      |             |                                    |             |             |
|-------------------|---|--------------------------------------|-------------|------------------------------------|-------------|-------------|
|                   | Puerto D  |                                      | Puerto C    |                                    | Puerto B    | Puerto A    |
|                   | 1/4" X 1/2"   | Requiere Adaptador                   | 1/4" X 3/8" | Requiere Adaptador                 | 1/4" X 3/8" | 1/4" X 3/8" |
| DOS ZONE          | 18  | -                                    | 9           | -                                  | -           | -           |
|                   | 18  | -                                    | 12          | -                                  | -           | -           |
|                   | 18  | -                                    | 15          | -                                  | -           | -           |
|                   | 18  | -                                    | 18          | D                                  | -           | -           |
|                   | 18  | -                                    | 24          | A, B <sup>1</sup>   D <sup>2</sup> | -           | -           |
|                   | 24  | A, C <sup>1</sup>   -- <sup>2</sup>  | 7           | -                                  | -           | -           |
|                   | 24  | A, C <sup>1</sup>   -- <sup>2</sup>  | 9           | -                                  | -           | -           |
|                   | 24  | A, C <sup>1</sup>   -- <sup>2</sup>  | 12          | -                                  | -           | -           |
|                   | 24  | A, C <sup>1</sup>   -- <sup>2</sup>  | 15          | -                                  | -           | -           |
|                   | 24  | A, C <sup>1</sup>   -- <sup>2</sup>  | 24          | A, B <sup>1</sup>   D <sup>2</sup> | -           | -           |
| TRES ZONE         | -   | -                                    | 9           | -                                  | 9           | 9           |
|                   | -   | -                                    | 12          | -                                  | 9           | 7           |
|                   | -   | -                                    | 12          | -                                  | 9           | 9           |
|                   | -   | -                                    | 12          | -                                  | 12          | 7           |
|                   | -   | -                                    | 12          | -                                  | 12          | 9           |
|                   | -   | -                                    | 12          | -                                  | 12          | 12          |
|                   | -   | -                                    | 15          | -                                  | 7           | 7           |
|                   | -   | -                                    | 15          | -                                  | 9           | 7           |
|                   | -   | -                                    | 15          | -                                  | 12          | 7           |
|                   | -   | -                                    | 15          | -                                  | 15          | 7           |
|                   | -   | -                                    | 15          | -                                  | 12          | 7           |
|                   | -   | -                                    | 15          | -                                  | 9           | 9           |
|                   | -   | -                                    | 15          | -                                  | 12          | 9           |
|                   | -   | -                                    | 15          | -                                  | 15          | 9           |
|                   | -   | -                                    | 15          | -                                  | 12          | 12          |
|                   | -   | -                                    | 15          | -                                  | 15          | 12          |
|                   | -   | -                                    | 15          | -                                  | 15          | 15          |
|                   | 18  | -                                    | 7           | -                                  | 7           | -           |
|                   | 18  | -                                    | 9           | -                                  | 7           | -           |
|                   | 18  | -                                    | 9           | -                                  | 9           | -           |
|                   | 18  | -                                    | 12          | -                                  | 7           | -           |
|                   | 18  | -                                    | 12          | -                                  | 9           | -           |
|                   | 18  | -                                    | 12          | -                                  | 12          | -           |
|                   | 18  | -                                    | 15          | -                                  | 7           | -           |
|                   | 18  | -                                    | 15          | -                                  | 9           | -           |
|                   | 18  | -                                    | 15          | -                                  | 12          | -           |
|                   | 18  | -                                    | 15          | -                                  | 15          | -           |
|                   | 18  | -                                    | 18          | D                                  | 7           | -           |
|                   | 18  | -                                    | 18          | D                                  | 9           | -           |
|                   | 18  | -                                    | 18          | D                                  | 12          | -           |
|                   | 24  | -A, C <sup>1</sup>   -- <sup>2</sup> | 7           | -                                  | 7           | -           |
|                   | 24  | -A, C <sup>1</sup>   -- <sup>2</sup> | 9           | -                                  | 7           | -           |

# Instrucciones de Instalación

Adaptadores requeridos en base a la capacidad de la unidad interior emparejada para 4Q36FF2B\*\* / 4Q36RT2B\*\* (Continued)

Adaptadores requeridos/ enviados con el adaptador D y E.

Sin adaptadores requeridos para los Puertos B, A..

| Tamaño del Puerto   | Posible Emparejamiento de Capacidad de la Unidad Interior (kBTU/hr) |                           |             |                    |             |             |
|---------------------|---|---------------------------|-------------|--------------------|-------------|-------------|
|                     | Puerto D  |                           | Puerto C    |                    | Puerto B    | Puerto A    |
|                     | 1/4" X 1/2"   | Requiere Adaptador        | 1/4" X 3/8" | Requiere Adaptador | 1/4" X 3/8" | 1/4" X 3/8" |
| TRES ZONE<br>(Cont) | 24  | A, C *1   -- <sup>2</sup> | 9           | -                  | 9           | -           |
|                     | 24  | A, C *1   -- <sup>2</sup> | 12          | -                  | 7           | -           |
|                     | 24  | A, C *1   -- <sup>2</sup> | 12          | -                  | 9           | -           |
|                     | 24  | A, C *1   -- <sup>2</sup> | 12          | -                  | 12          | -           |
|                     | 24  | A, C *1   -- <sup>2</sup> | 15          | -                  | 7           | -           |
|                     | 24  | A, C *1   -- <sup>2</sup> | 15          | -                  | 9           | -           |
| CUATRO ZONE         | 7   | E                         | 7           | -                  | 7           | 7           |
|                     | 9   | E                         | 7           | -                  | 7           | 7           |
|                     | 9   | E                         | 9           | -                  | 7           | 7           |
|                     | 9   | E                         | 9           | -                  | 9           | 7           |
|                     | 9   | E                         | 9           | -                  | 9           | 9           |
|                     | 12  | E                         | 7           | -                  | 7           | 7           |
|                     | 12  | E                         | 9           | -                  | 7           | 7           |
|                     | 12  | E                         | 9           | -                  | 9           | 7           |
|                     | 12  | E                         | 9           | -                  | 9           | 9           |
|                     | 12  | E                         | 12          | -                  | 7           | 7           |
|                     | 12  | E                         | 12          | -                  | 9           | 7           |
|                     | 12  | E                         | 12          | -                  | 9           | 9           |
|                     | 12  | E                         | 12          | -                  | 12          | 7           |
|                     | 12  | E                         | 12          | -                  | 12          | 9           |
|                     | 12  | E                         | 12          | -                  | 12          | 12          |
|                     | 15  | E                         | 7           | -                  | 7           | 7           |
|                     | 15  | E                         | 9           | -                  | 7           | 7           |
|                     | 15  | E                         | 9           | -                  | 9           | 7           |
|                     | 15  | E                         | 9           | -                  | 9           | 9           |
|                     | 15  | E                         | 12          | -                  | 7           | 7           |
|                     | 15  | E                         | 12          | -                  | 9           | 7           |
|                     | 15  | E                         | 12          | -                  | 9           | 9           |
|                     | 15  | E                         | 12          | -                  | 12          | 7           |
|                     | 15  | E                         | 12          | -                  | 12          | 9           |
|                     | 15  | E                         | 15          | -                  | 7           | 7           |
|                     | 15  | E                         | 15          | -                  | 9           | 7           |
|                     | 15  | E-                        | 15          | -                  | 9           | 9           |
|                     | 18  | -                         | 7           | -                  | 7           | 7           |
|                     | 18  | -                         | 9           | -                  | 7           | 7           |
|                     | 18  | -                         | 9           | -                  | 9           | 7           |
|                     | 18  | -                         | 9           | -                  | 9           | 9           |
|                     | 18  | -                         | 12          | -                  | 7           | 7           |
| 18                  | -   | 12                        | -           | 9                  | 7           |             |
| 18                  | -   | 12                        | -           | 9                  | 9           |             |
| 18                  | -   | 15                        | -           | 7                  | 7           |             |
| 24                  | -A, C *1   -- <sup>2</sup>  | 7                         | -           | 7                  | 7           |             |
| 24                  | -A, C *1   -- <sup>2</sup>  | 9                         | -           | 7                  | 7           |             |

# Instrucciones de Instalación

**Adaptadores requeridos en base a la capacidad de la unidad interior emparejada para 5Q42RT2B\*\***

Adaptadores requeridos/ enviados con el adaptador D y E.

Sin adaptadores requeridos para los Puertos B, A.

| Tamaño del Puerto | Posible Emparejamiento de Capacidad de la Unidad Interior (kBTU/hr) |                                     |             |                                     |             |                    |             |             |
|-------------------|---|-------------------------------------|-------------|-------------------------------------|-------------|--------------------|-------------|-------------|
|                   | Puerto E  |                                     | Puerto D    |                                     | Puerto C    |                    | Puerto B    | Puerto A    |
|                   | 1/4" X 1/2"   | Requiere Adaptador                  | 1/4" X 1/2" | Requiere Adaptador                  | 1/4" X 3/8" | Requiere Adaptador | 1/4" X 3/8" | 1/4" X 3/8" |
| DOS ZONE          | 18  | -                                   | -           | -                                   | 9           | -                  | -           | -           |
|                   | 18  | -                                   | -           | -                                   | 12          | -                  | -           | -           |
|                   | 18  | -                                   | -           | -                                   | 15          | -                  | -           | -           |
|                   | 18  | -                                   | 18          | -                                   | -           | -                  | -           | -           |
|                   | 24  | A, C <sup>1</sup>   -- <sup>2</sup> | -           | -                                   | 7           | -                  | -           | -           |
|                   | 24  | A, C <sup>1</sup>   -- <sup>2</sup> | -           | -                                   | 9           | -                  | -           | -           |
|                   | 24  | A, C <sup>1</sup>   -- <sup>2</sup> | -           | -                                   | 12          | -                  | -           | -           |
|                   | 24  | A, C <sup>1</sup>   -- <sup>2</sup> | -           | -                                   | 15          | -                  | -           | -           |
|                   | 24  | A, C <sup>1</sup>   -- <sup>2</sup> | 18          | -                                   | -           | -                  | -           | -           |
| TRES ZONE         | 24  | A, C <sup>1</sup>   -- <sup>2</sup> | 24          | A, C <sup>1</sup>   -- <sup>2</sup> | -           | -                  | -           | -           |
|                   | -   | -                                   | -           | -                                   | 9           | -                  | 9           | 9           |
|                   | -   | -                                   | -           | -                                   | 12          | -                  | 9           | 9           |
|                   | -   | -                                   | -           | -                                   | 12          | -                  | 9           | 7           |
|                   | -   | -                                   | -           | -                                   | 12          | -                  | 12          | 7           |
|                   | -   | -                                   | -           | -                                   | 12          | -                  | 12          | 9           |
|                   | -   | -                                   | -           | -                                   | 12          | -                  | 12          | 12          |
|                   | -   | -                                   | -           | -                                   | 15          | -                  | 7           | 7           |
|                   | -   | -                                   | -           | -                                   | 15          | -                  | 9           | 7           |
|                   | -   | -                                   | -           | -                                   | 15          | -                  | 9           | 9           |
|                   | -   | -                                   | -           | -                                   | 15          | -                  | 12          | 7           |
|                   | -   | -                                   | -           | -                                   | 15          | -                  | 12          | 9           |
|                   | -   | -                                   | -           | -                                   | 15          | -                  | 12          | 12          |
|                   | -   | -                                   | -           | -                                   | 15          | -                  | 15          | 7           |
|                   | -   | -                                   | -           | -                                   | 15          | -                  | 15          | 9           |
|                   | -   | -                                   | -           | -                                   | 15          | -                  | 15          | 12          |
|                   | -   | -                                   | -           | -                                   | 15          | -                  | 15          | 15          |
|                   | 18  | -                                   | -           | -                                   | 7           | -                  | 7           | -           |
|                   | 18  | -                                   | -           | -                                   | 9           | -                  | 7           | -           |
|                   | 18  | -                                   | -           | -                                   | 9           | -                  | 9           | -           |
|                   | 18  | -                                   | -           | -                                   | 12          | -                  | 7           | -           |
|                   | 18  | -                                   | -           | -                                   | 12          | -                  | 9           | -           |
|                   | 18  | -                                   | -           | -                                   | 12          | -                  | 12          | -           |
|                   | 18  | -                                   | -           | -                                   | 15          | -                  | 7           | -           |
|                   | 18  | -                                   | -           | -                                   | 15          | -                  | 9           | -           |
|                   | 18  | -                                   | -           | -                                   | 15          | -                  | 12          | -           |
|                   | 18  | -                                   | -           | -                                   | 15          | -                  | 15          | -           |
|                   | 18  | -                                   | 18          | -                                   | 7           | -                  | -           | -           |
|                   | 18  | -                                   | 18          | -                                   | 9           | -                  | -           | -           |
|                   | 18  | -                                   | 18          | -                                   | 12          | -                  | -           | -           |
|                   | 18  | -                                   | 18          | -                                   | 15          | -                  | -           | -           |
|                   | 18  | -                                   | 18          | -                                   | 18          | D                  | -           | -           |
| 24                | A, C <sup>1</sup>   -- <sup>2</sup>                                 | -                                   | -           | 7                                   | -           | 7                  | -           |             |

# Instrucciones de Instalación

Adaptadores requeridos en base a la capacidad de la unidad interior emparejada para 5Q42RT2B\*\*  
(Continued)

Adaptadores requeridos/ enviados con el adaptador D y E.

Sin adaptadores requeridos para los Puertos B, A.

| Tamaño del Puerto   | Posible Emparejamiento de Capacidad de la Unidad Interior (kBTU/hr) |                                     |             |                    |             |                    |             |             |
|---------------------|---|-------------------------------------|-------------|--------------------|-------------|--------------------|-------------|-------------|
|                     | Puerto E  |                                     | Puerto D    |                    | Puerto C    |                    | Puerto B    | Puerto A    |
|                     | 1/4" X 1/2"   | Requiere Adaptador                  | 1/4" X 1/2" | Requiere Adaptador | 1/4" X 3/8" | Requiere Adaptador | 1/4" X 3/8" | 1/4" X 3/8" |
| TRES ZONE<br>(Cont) | 24  | A, C <sup>1</sup>   -- <sup>2</sup> | -           | -                  | 9           | -                  | 7           | -           |
|                     | 24  | A, C <sup>1</sup>   -- <sup>2</sup> | -           | -                  | 9           | -                  | 9           | -           |
|                     | 24  | A, C <sup>1</sup>   -- <sup>2</sup> | -           | -                  | 12          | -                  | 7           | -           |
|                     | 24  | A, C <sup>1</sup>   -- <sup>2</sup> | -           | -                  | 12          | -                  | 9           | -           |
|                     | 24  | A, C <sup>1</sup>   -- <sup>2</sup> | -           | -                  | 12          | -                  | 12          | -           |
|                     | 24  | A, C <sup>1</sup>   -- <sup>2</sup> | -           | -                  | 15          | -                  | 7           | -           |
|                     | 24  | A, C <sup>1</sup>   -- <sup>2</sup> | -           | -                  | 15          | -                  | 9           | -           |
|                     | 24  | A, C <sup>1</sup>   -- <sup>2</sup> | -           | -                  | 15          | -                  | 12          | -           |
|                     | 24  | A, C <sup>1</sup>   -- <sup>2</sup> | -           | -                  | 15          | -                  | 15          | -           |
|                     | 24  | A, C <sup>1</sup>   -- <sup>2</sup> | 18          | -                  | 7           | -                  | -           | -           |
|                     | 24  | A, C <sup>1</sup>   -- <sup>2</sup> | 18          | -                  | 9           | -                  | -           | -           |
|                     | 24  | A, C <sup>1</sup>   -- <sup>2</sup> | 18          | -                  | 12          | -                  | -           | -           |
| CUATRO ZONE         | 7   | E                                   | -           | -                  | 7           | -                  | 7           | 7           |
|                     | 9   | E                                   | -           | -                  | 7           | -                  | 7           | 7           |
|                     | 9   | E                                   | -           | -                  | 9           | -                  | 7           | 7           |
|                     | 9   | E                                   | -           | -                  | 9           | -                  | 9           | 7           |
|                     | 9   | E                                   | -           | -                  | 9           | -                  | 9           | 9           |
|                     | 12  | E                                   | -           | -                  | 7           | -                  | 7           | 7           |
|                     | 12  | E                                   | -           | -                  | 9           | -                  | 7           | 7           |
|                     | 12  | E                                   | -           | -                  | 9           | -                  | 9           | 7           |
|                     | 12  | E                                   | -           | -                  | 9           | -                  | 9           | 9           |
|                     | 12  | E                                   | -           | -                  | 12          | -                  | 7           | 7           |
|                     | 12  | E                                   | -           | -                  | 12          | -                  | 9           | 7           |
|                     | 12  | E                                   | -           | -                  | 12          | -                  | 9           | 9           |
|                     | 12  | E                                   | -           | -                  | 12          | -                  | 12          | 7           |
|                     | 12  | E                                   | -           | -                  | 12          | -                  | 12          | 9           |
|                     | 12  | E                                   | -           | -                  | 12          | -                  | 12          | 12          |
|                     | 15  | E                                   | -           | -                  | 7           | -                  | 7           | 7           |
|                     | 15  | E                                   | -           | -                  | 9           | -                  | 7           | 7           |
|                     | 15  | E                                   | -           | -                  | 9           | -                  | 9           | 7           |
|                     | 15  | E                                   | -           | -                  | 9           | -                  | 9           | 9           |
|                     | 15  | E                                   | -           | -                  | 12          | -                  | 7           | 7           |
|                     | 15  | E                                   | -           | -                  | 12          | -                  | 9           | 7           |
|                     | 15  | E                                   | -           | -                  | 12          | -                  | 9           | 9           |
|                     | 15  | E                                   | -           | -                  | 12          | -                  | 12          | 7           |
|                     | 15  | E                                   | -           | -                  | 12          | -                  | 12          | 9           |
|                     | 15  | E                                   | -           | -                  | 12          | -                  | 12          | 12          |
|                     | 15  | E                                   | -           | -                  | 15          | -                  | 7           | 7           |
|                     | 15  | E                                   | -           | -                  | 15          | -                  | 9           | 7           |
|                     | 15  | E                                   | -           | -                  | 15          | -                  | 9           | 9           |
|                     | 15  | E                                   | -           | -                  | 15          | -                  | 12          | 9           |
|                     | 15  | E                                   | -           | -                  | 15          | -                  | 12          | 12          |
| 15                  | E   | -                                   | -           | 15                 | -           | 15                 | 12          |             |
| 18                  | -   | -                                   | -           | 7                  | -           | 7                  | 7           |             |
| 18                  | -   | -                                   | -           | 9                  | -           | 7                  | 7           |             |
| 18                  | -   | -                                   | -           | 9                  | -           | 9                  | 7           |             |
| 18                  | -   | -                                   | -           | 9                  | -           | 9                  | 9           |             |
| 18                  | -   | -                                   | -           | 12                 | -           | 7                  | 7           |             |
| 18                  | -   | -                                   | -           | 12                 | -           | 9                  | 7           |             |
| 18                  | -   | -                                   | -           | 12                 | -           | 9                  | 9           |             |
| 18                  | -   | -                                   | -           | 12                 | -           | 12                 | 9           |             |

# Instrucciones de Instalación

Adaptadores requeridos en base a la capacidad de la unidad interior emparejada para 5Q42RT2B\*\*  
(Continued)

Adaptadores requeridos/ enviados con el adaptador D y E.

Sin adaptadores requeridos para los Puertos B, A..

| Tamaño del Puerto     | Posible Emparejamiento de Capacidad de la Unidad Interior (kBTU/hr) |                    |             |                    |             |                    |             |             |
|-----------------------|---|--------------------|-------------|--------------------|-------------|--------------------|-------------|-------------|
|                       | Puerto E  |                    | Puerto D    |                    | Puerto C    |                    | Puerto B    | Puerto A    |
|                       | 1/4" X 1/2"   | Requiere Adaptador | 1/4" X 1/2" | Requiere Adaptador | 1/4" X 3/8" | Requiere Adaptador | 1/4" X 3/8" | 1/4" X 3/8" |
| CUATRO ZONE<br>(Cont) | 18  | -                  | -           | -                  | 12          | -                  | 12          | 9           |
|                       | 18  | -                  | -           | -                  | 12          | -                  | 12          | 12          |
|                       | 18  | -                  | -           | -                  | 15          | -                  | 7           | 7           |
|                       | 18  | -                  | -           | -                  | 15          | -                  | 9           | 7           |
|                       | 18  | -                  | -           | -                  | 15          | -                  | 9           | 9           |
|                       | 18  | -                  | -           | -                  | 15          | -                  | 12          | 7           |
|                       | 18  | -                  | -           | -                  | 15          | -                  | 12          | 9           |
|                       | 18  | -                  | -           | -                  | 15          | -                  | 12          | 12          |
|                       | 18  | -                  | 18          | -                  | 7           | -                  | 7           | -           |
|                       | 18  | -                  | 18          | -                  | 9           | -                  | 7           | -           |
|                       | 18  | -                  | 18          | -                  | 9           | -                  | 9           | -           |
|                       | 18  | -                  | 18          | -                  | 12          | -                  | 7           | -           |
|                       | 18  | -                  | 18          | -                  | 12          | -                  | 9           | -           |
|                       | 24  | A, C *1   --*2     | -           | -                  | 7           | -                  | 7           | 7           |
|                       | 24  | A, C *1   --*2     | -           | -                  | 9           | -                  | 7           | 7           |
|                       | 24  | A, C *1   --*2     | -           | -                  | 9           | -                  | 9           | 7           |
|                       | 24  | A, C *1   --*2     | -           | -                  | 9           | -                  | 9           | 9           |
|                       | 24  | A, C *1   --*2     | -           | -                  | 12          | -                  | 7           | 7           |
|                       | 24  | A, C *1   --*2     | -           | -                  | 12          | -                  | 9           | 7           |
|                       | 24  | A, C *1   --*2     | -           | -                  | 12          | -                  | 9           | 9           |
|                       | 24  | A, C *1   --*2     | -           | -                  | 12          | -                  | 12          | 7           |
|                       | 24  | A, C *1   --*2     | -           | -                  | 15          | -                  | 7           | 7           |
| 24                    | A, C *1   --*2  | -                  | -           | 15                 | -           | 9                  | 7           |             |
| 24                    | A, C *1   --*2  | 18                 | -           | 7                  | -           | 7                  | -           |             |
| CINCO ZONE            | 7   | E                  | 7           | E                  | 7           | -                  | 7           | 7           |
|                       | 9   | E                  | 7           | E                  | 7           | -                  | 7           | 7           |
|                       | 9   | E                  | 9           | E                  | 7           | -                  | 7           | 7           |
|                       | 9   | E                  | 9           | E                  | 9           | -                  | 7           | 7           |
|                       | 9   | E                  | 9           | E                  | 9           | -                  | 9           | 7           |
|                       | 9   | E                  | 9           | E                  | 9           | -                  | 9           | 9           |
|                       | 12  | E                  | 7           | E                  | 7           | -                  | 7           | 7           |
|                       | 12  | E                  | 9           | E                  | 7           | -                  | 7           | 7           |
|                       | 12  | E                  | 9           | E                  | 9           | -                  | 7           | 7           |
|                       | 12  | E                  | 9           | E                  | 9           | -                  | 9           | 7           |
|                       | 12  | E                  | 9           | E                  | 9           | -                  | 9           | 9           |
|                       | 12  | E                  | 12          | E                  | 7           | -                  | 7           | 7           |
|                       | 12  | E                  | 12          | E                  | 9           | -                  | 7           | 7           |
|                       | 12  | E                  | 12          | E                  | 9           | -                  | 9           | 7           |
|                       | 12  | E                  | 12          | E                  | 9           | -                  | 9           | 9           |
|                       | 12  | E                  | 12          | E                  | 12          | -                  | 7           | 7           |
|                       | 12  | E                  | 12          | E                  | 12          | -                  | 9           | 7           |
|                       | 12  | E                  | 12          | E                  | 12          | -                  | 9           | 9           |
|                       | 12  | E                  | 12          | E                  | 12          | -                  | 12          | 7           |
|                       | 12  | E                  | 12          | E                  | 12          | -                  | 12          | 9           |
| 12                    | E   | 12                 | E           | 12                 | -           | 12                 | 12          |             |
| 18                    | -   | 7                  | E           | 7                  | -           | 7                  | 7           |             |

# Instrucciones de Instalación

**Adaptadores requeridos en base a la capacidad de la unidad interior emparejada para 5Q42RT2B\*\*  
(Continued)**

Adaptadores requeridos/ enviados con el adaptador D y E.  
Sin adaptadores requeridos para los Puertos B, A.

| Tamaño del Puerto    | Posible Emparejamiento de Capacidad de la Unidad Interior (kBTU/hr) |                    |             |                    |             |                    |             |             |   |
|----------------------|---|--------------------|-------------|--------------------|-------------|--------------------|-------------|-------------|---|
|                      | Puerto E  |                    | Puerto D    |                    | Puerto C    |                    | Puerto B    | Puerto A    |   |
|                      | 1/4" X 1/2"   | Requiere Adaptador | 1/4" X 1/2" | Requiere Adaptador | 1/4" X 3/8" | Requiere Adaptador | 1/4" X 3/8" | 1/4" X 3/8" |   |
| CINCO ZONE<br>(Cont) | 18  | -                  | 9           | E                  | 7           | -                  | 7           | 7           |   |
|                      | 18  | -                  | 9           | E                  | 9           | -                  | 7           | 7           |   |
|                      | 18  | -                  | 9           | E                  | 9           | -                  | 9           | 7           |   |
|                      | 18  | -                  | 9           | E                  | 9           | -                  | 9           | 9           |   |
|                      | 18  | -                  | 12          | E                  | 7           | -                  | 7           | 7           |   |
|                      | 18  | -                  | 12          | E                  | 9           | -                  | 7           | 7           |   |
|                      | 18  | -                  | 12          | E                  | 9           | -                  | 9           | 7           |   |
|                      | 18  | -                  | 12          | E                  | 9           | -                  | 9           | 9           |   |
|                      | 18  | -                  | 12          | E                  | 12          | -                  | 7           | 7           |   |
|                      | 18  | -                  | 12          | E                  | 12          | -                  | 9           | 7           |   |
|                      | 18  | -                  | 12          | E                  | 12          | -                  | 9           | 9           |   |
|                      | 18  | -                  | 15          | E                  | 7           | -                  | 7           | 7           |   |
|                      | 18  | -                  | 15          | E                  | 9           | -                  | 7           | 7           |   |
|                      | 18  | -                  | 15          | E                  | 9           | -                  | 9           | 7           |   |
|                      | 18  | -                  | 15          | E                  | 9           | -                  | 9           | 9           |   |
|                      | 18  | -                  | 15          | E                  | 12          | -                  | 7           | 7           |   |
|                      | 24  | A, C *1   --*2     |             | 7                  | E           | 7                  | -           | 7           | 7 |
|                      | 24  | A, C *1   --*2     |             | 9                  | E           | 7                  | -           | 7           | 7 |
|                      | 24  | A, C *1   --*2     |             | 9                  | E           | 9                  | -           | 7           | 7 |
|                      | 24  | A, C *1   --*2     |             | 9                  | E           | 9                  | -           | 9           | 7 |
| 24                   | A, C *1   --*2  |                    | 9           | E                  | 9           | -                  | 9           | 9           |   |
| 24                   | A, C *1   --*2  |                    | 12          | E                  | 7           | -                  | 7           | 7           |   |
| 24                   | A, C *1   --*2  |                    | 12          | E                  | 9           | -                  | 7           | 7           |   |

# Instrucciones de Instalación

## Precauciones de Instalación

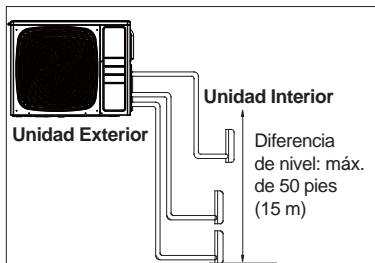
Este producto contiene gases fluorados de efecto invernadero cubiertos por el Protocolo de Kioto. No lo ventile en el ambiente.

**Tipo de refrigerante: R454B**

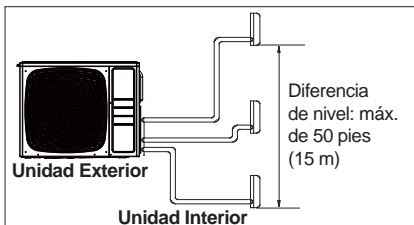
### Información de Carga de Refrigerante y Longitud de la Tubería

| Número de Modelo | Carga de Fábrica                    | Longitud Total de la Tubería con carga de fábrica | Regla de carga adicional | Longitud máxima de la tubería de empalme | Longitud máxima de la tubería del sistema | Longitud mínima de la tubería |
|------------------|-------------------------------------|---|--------------------------|--|---|-------------------------------|
| Unidad           | onzas                               | pies  | onzas / pies             | pies                                     | pies                                      | pies                          |
| 2G18AD2B**       | Consulte la placa de identificación | 66  | 0.2                      | 65                                       | 98  | 10' por unidad interior       |
| 3G24AD2B**       |                                     | 100   |                          | 82                                       | 197                                       |                               |
| 4G36AD2B**       |                                     | 131   |                          | 82                                       | 230                                       |                               |
| 2G20ED2B**       |                                     | 66  |                          | 82                                       | 164                                       |                               |
| 3G24ED2B**       |                                     | 100   |                          | 82                                       | 197                                       |                               |
| 4G36ED2B**       |                                     | 131   |                          | 82                                       | 230                                       |                               |
| 5G42ED2B**       |                                     | 164   |                          | 82                                       | 262                                       |                               |

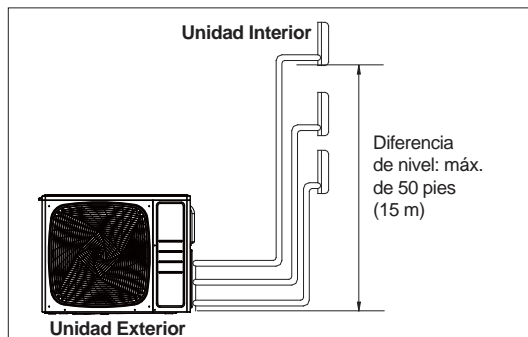
### ⚠ PRECAUCIÓN



Si la unidad exterior se posiciona más alto que todas las unidades interiores.



Si la unidad exterior se posiciona más alto que una o más unidades interiores. (Si está más bajo que una o más unidades interiores).



Si todas las unidades interiores se posicionan más alto que todas las unidades exteriores.

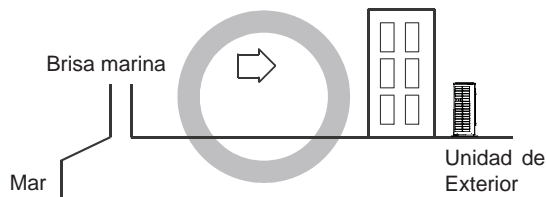
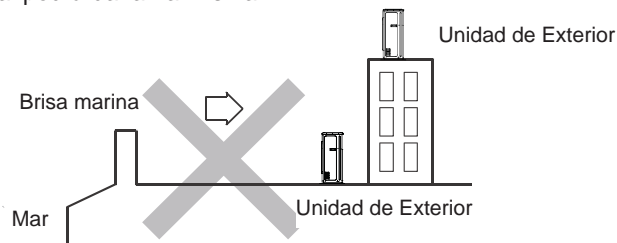


Luego de calcular la carga total de refrigerante, consulte las instrucciones de instalación de la unidad interior. Dependiendo del tamaño de la sala, podrá ser necesaria la instalación de un sensor de pérdida de refrigerante en la unidad interior.

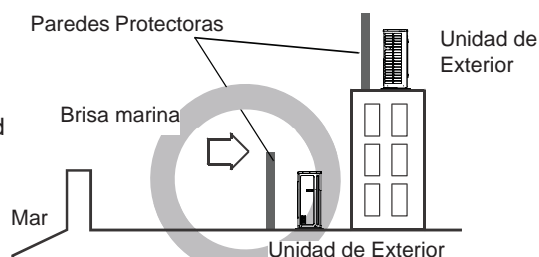
# Instrucciones de Instalación

## INSTALACIÓN EN COSTAS DE AGUA SALADA

- La unidad de exterior deberá ser instalada a por lo menos ½ milla de distancia del agua salada, incluyendo costas marinas y vías navegables interiores. Si la unidad es instalada a entre ½ y 5 millas de distancia desde el agua salada, incluyendo costas marinas y vías navegables interiores, por favor cumpla con las siguientes instrucciones de instalación.
- Instale la unidad de exterior en un lugar (tal como edificios cercanos , etc.) donde se encuentre protegida de la brisa del mar, la cual podrá dañar la misma.



- Si no es posible evitar la instalación de la unidad de exterior cerca de la costa marina, construya una pared protectora alrededor de la misma para bloquear la brisa marina.
- Una pared protectora deberá ser construida con un material sólido tal como concreto, a fin de bloquear la brisa marina, y la altura y el ancho de la pared deberán ser 1.5 veces más grandes que el tamaño de la unidad de exterior. Además, asegure un espacio de más de 28 pulgadas (700 mm) entre la pared protectora y la unidad de exterior para que el aire expulsado se ventile.
- Instale la unidad de exterior en un lugar donde el agua pueda ser drenada sin problemas.
- Si las condiciones anteriores no pueden ser cumplidas, comuníquese con Haier para solicitar asistencia.



## INSTALACIÓN EN AMBIENTE BAJO

- Si la unidad exterior se instala en una región afectada por vientos fuertes o acumulación de nieve, se recomienda instalar los accesorios del deflector de viento o/y de la tapa superior. El número de modelo correspondiente a la tapa superior y al deflector de viento se podrán encontrar en el catálogo del producto. . Las instrucciones de instalación se podrán encontrar en el manual enviado con cada accesorio o a través de Internet en [GEAppliancesAirandWater.com](http://GEAppliancesAirandWater.com).

# Instrucciones de Instalación

## Paso 1 - Preparación

### ESPACIOS EXTERIOR

**NOTA:** Si existe peligro de que la unidad caiga o se dé vuelta, ajuste la unidad insertando tornillos, alambres u otras opciones de soporte.

**NOTA:** Coloque la unidad sobre una base de montaje nivelada (o un pedestal de plástico) para un drenaje adecuado.

**NOTA:** Instale la unidad exterior en una posición nivelada. De lo contrario, se pueden producir fugas o acumulación de agua

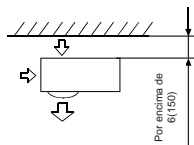
**NOTA:** Heat pump models will generate condensate water on the outdoor unit. Stacking the units without managing condensate water may create failure on the lower unit.

#### (3) Espacio de instalación y mantenimiento

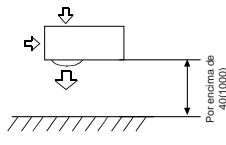
Selección de la ubicación de la instalación de la parte exterior

(1) Instalación de una sola unidad (unidad: pulg. (mm))

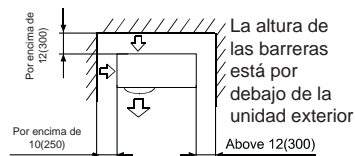
Parte Trasera



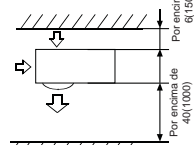
Fronte



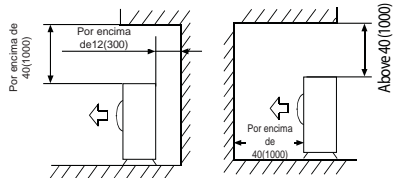
Parte trasera y lateral



Fronte y parte trasera



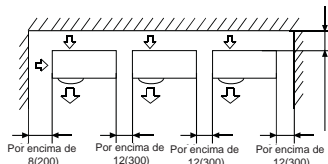
Cuando existan barreras por encima de la unidad



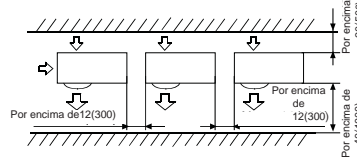
La superficie superior y las dos laterales deberán quedar expuestas al espacio abierto, y las barreras en por lo menos un lado del frente y la parte trasera deberán estar más abajo que la unidad exterior.

(2) Instalación de unidades múltiples (unidad: pulg. (mm))

Parte trasera y lateral

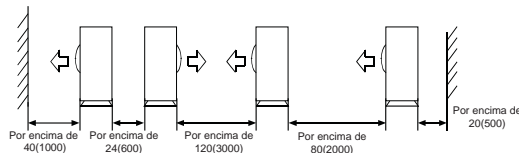


Fronte y parte trasera

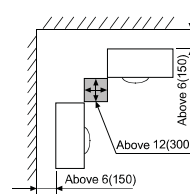


La altura de las barreras esta por debajo de la unidad exterior

(3) Instalación de unidades múltiples en la parte frontal y trasera (unidad: pulg. (mm))  
Estándar



Corner



#### Seleccione la ubicación exterior:

- Elija un lugar nivelado y lo suficientemente sólido como para soportar el peso y las vibraciones de la unidad de exterior y donde el ruido del funcionamiento no sea amplificado.
- Elija una ubicación donde la descarga de aire caliente y/o el ruido no sean una molestia para los vecinos.
- Asegúrese de que haya suficiente espacio para maniobrar la unidad de interior hasta su posición.
- Asegúrese de que haya suficiente espacio y que no haya obstrucciones para la entrada y salida del aire.
- Instale el cable de corriente/ comunicación de la unidad por lo menos a 10 pies de distancia de los equipos de televisión y radio, a fin de evitar interferencias.
- Asegúrese de que cualquier ítem sensible a la humedad sea mantenido lejos del camino del drenaje condensado de la unidad de exterior.

# Instrucciones de Instalación

---

## Paso 1 - Preparación (Cont.)

### NOTAS:

- La unidad de exterior no podrá ser colgada de un cielorraso ni ser apilada.
- Si instalará la unidad exterior con una valla o un riel protector a su alrededor, asegúrese de que la nieve y el polvo no bloqueen la entrada de aire o la bobina.
- Asegúrese de que haya ventilación en caso de pérdidas de refrigerante.
- Evite instalar la unidad de exterior donde sean producidos gases corrosivos, tales como óxidos de sulfuro, amoníaco y gases sulfurosos. Consulte a un especialista en instalaciones sobre el uso de aditivos a prueba de corrosión y antioxidantes para proteger las bobinas de la unidad.

## Paso 2 – Instalación de la Unidad(es) de Interior

Por favor, consulte el Manual de Instalación de Interior.

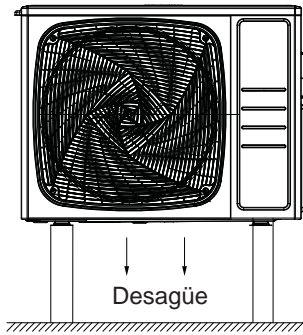
# Instrucciones de Instalación

## Paso 3 – Instalación de la Unidad de Exterior

### A. Prepare la Unidad de Exterior para su Instalación

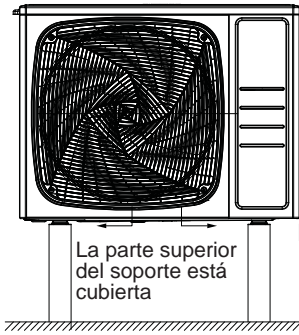
- Retire todo el embalaje.
- Coloque las almohadillas de vibración suministradas sobre los pies de la unidad de exterior.
- Use el equipo de elevación para colocar la unidad sobre una base sólida, 8 "por encima de la nevada promedio.

Instalación correcta



Instalación incorrecta

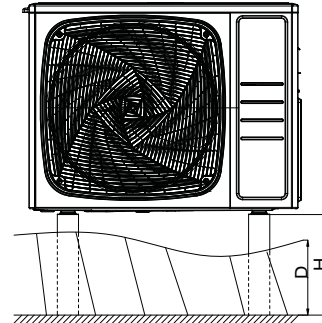
Desagüe



La parte superior del soporte está cubierta

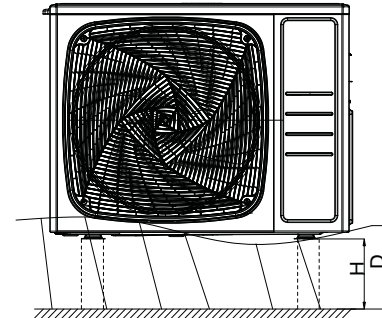
Desagüe  
El espacio libre es demasiado pequeño, generando un desagüe inadecuado

Instalación correcta



La altura máxima (H) deberá ser superior a la profundidad de caída de nieve máxima (D) ( $H=D+8"$ )

Instalación incorrecta



La unidad podrá quedar cubierta de nieve si la altura del soporte es insuficiente.

# Instrucciones de Instalación

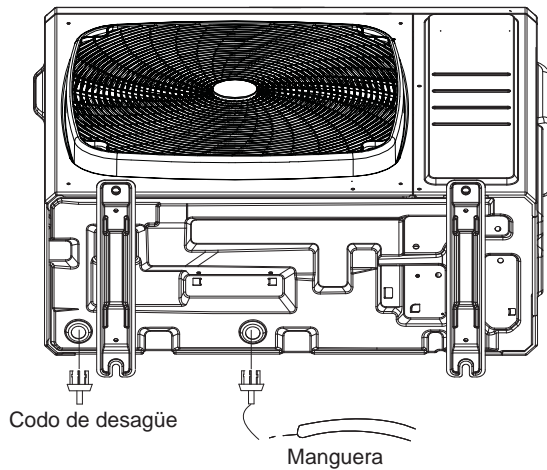
## Paso 3 – Instalación de la Unidad de Exterior

### B. Adhesión del Codo de Drenaje a la Unidad de Exterior

- Adhiera el codo de drenaje suministrado a la unidad de exterior, de ser necesario. Conecte la extensión de la tubería según sea necesario (no suministrada). (Vea la ilustración).

**NOTA:** El codo de drenaje fue diseñado con una brecha de aire y no se apoyará de forma nivelada sobre la parte inferior de la unidad de exterior.

**NOTA:** Si el código requiere el manejo de la condensación, será necesaria una bandeja de una tercera marca.



### C. Conexiones Eléctricas para la Unidad de Interior

#### ⚠ ADVERTENCIA RIESGO DE DESCARGA

#### ELÉCTRICA

**Puede ocasionar lesiones o la muerte. Desconecte todos los suministros de corriente eléctrica remotos antes de realizar el servicio técnico.**

**NOTA:** Asegúrese que todo el cableado cumpla con los códigos locales de construcción y el NEC y que el suministro de voltaje de este sistema sea el correcto.

- Conecte el cableado de la fuente de alimentación y el cableado interno usando un soporte para cables conductores sobre el lado de la unidad de exterior (tanto para el AWG de 14/4 como para el cable de corriente).
- Usando un pelacables, retire el aislante y separe los 4 cables.
- Verifique que las conexiones del cableado coincidan con las conexiones internas cable por cable.
- Asegúrese de que cada cable se encuentre debajo de la placa de la terminal con tornillos y que la placa esté ajustada.
- Asegúrese de que el cable trenzado de 14/4 se encuentre asegurado bajo el soporte del regulador de tensión. Para crimpar las terminales, siga las recomendaciones del fabricante.
- Verifique que todas las conexiones estén aseguradas.

**NOTA:** Si no se siguen las pautas del cableado se podrán producir daños en el tablero de control y problemas de comunicación (código de error E7). Esto incluye un tamaño del cable inadecuado, uso de un cable rígido, empalme en la línea media y conexiones débiles en los terminales.

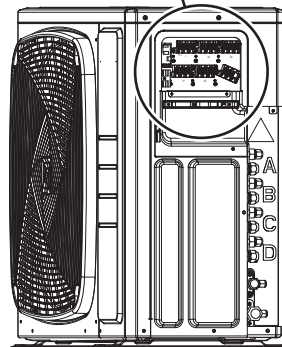
# Instrucciones de Instalación

## Paso 3 – Instalación de la Unidad de Exterior

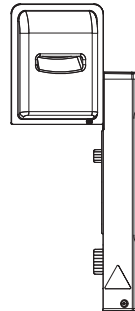
### Información sobre el Cableado

**NOTA:** En los modelos 4G36ED2B\*\* y 5G42ED2B\*\*, el panel lateral se deberá retirar para poder acceder a la terminal y al área del cableado.

Terminal y Área del Cableado

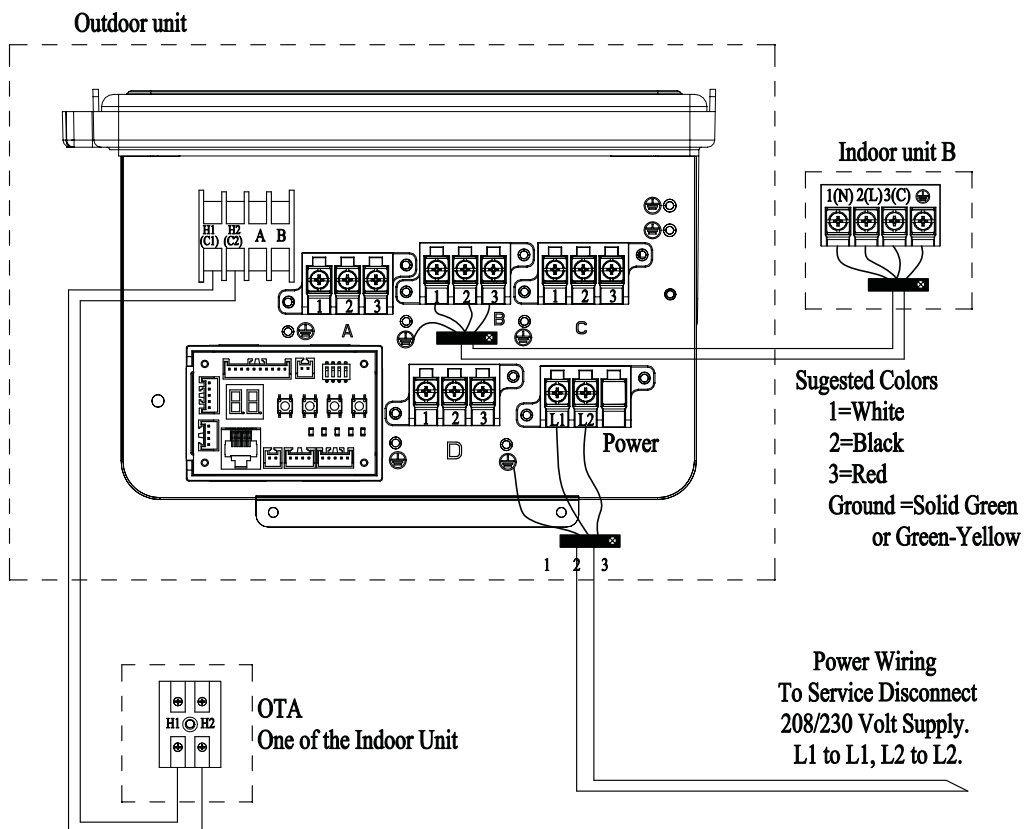


Tapa de la Terminal



Tapa de la Válvula

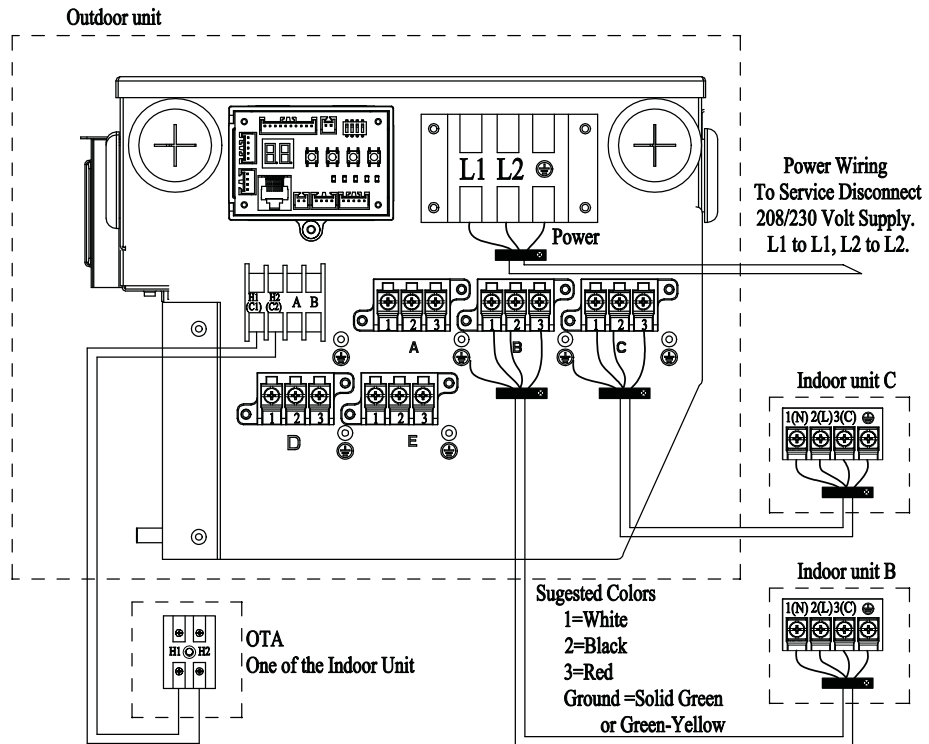
Modelo:  
2G18AD2B\*\*  
3G24AD2B\*\*  
2G20ED2B\*\*  
3G24ED2B\*\*  
4G36AD2B\*\*



# Instrucciones de Instalación

## Paso 3 – Instalación de la Unidad de Exterior (Cont.)

Modelo:  
4G36ED2B\*\*  
5G42ED2B\*\*



# Instrucciones de Instalación

## Paso 3 – Instalación de la Unidad de Exterior

### Información de Carga de Refrigerante y Longitud de la Tubería

#### D. Instale el Juego de Cables de Cobre

- Los tamaños de juegos de cables son determinados por la unidad interior. Consulte las especificaciones del interior para más información. La unidad exterior se envía con los adaptadores de puertos para reducir o incrementar el tamaño de los puertos abocardados cuando sea necesario. Si la conexión se realizará a modelos de 24K con puertos de 3/8" y 5/8", los adaptadores se deberán ordenar por separado.
- Corte el juego de cables de acuerdo a la longitud.
- Coloque la tuerca sobre la tubería y luego abocarde con la herramienta de abocardado R454b.

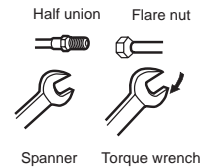
**NOTA:** Siga las prácticas estándares para realizar el agrandamiento de tuberías. Al cortar y escariar la tubería, tenga el cuidado de evitar que la suciedad o el polvo ingresen a la misma. Recuerde colocar la tuerca sobre la tubería antes de agrandar la misma.

- Para unir el juego de cables, alinee directamente la tubería agrandada con la unión de la otra tubería. Deslice la tuerca sobre la unión y realice el ajuste manualmente.
- Gire las uniones de acuerdo con las especificaciones mostradas en el siguiente cuadro de giro.

Un ajuste excesivo sin un correcto centrado dañará las roscas y ocasionará una pérdida de refrigerante.

| Diámetro de la Tubería (∅) / Adaptadores Abocardados | Giro de ajuste    |
|--|-------------------|
| 1/4" (6,35mm)  | 18N.m/13.3Ft.lbs  |
| 3/8" (9,52mm)  | 42N.m/30.1Ft.lbs  |
| 1/2" (12.7mm)  | 55N.m/40.6Ft.lbs  |
| 5/8" (15.88mm)                                       | 60 N.m/44.3Ft.lbs |

- Se requiere el uso de dos llaves para unir la conexión agrandada, una llave estándar y una llave de torsión ajustada de acuerdo con las configuraciones adecuadas.
- Repita el proceso para adherir el otro extremo del juego de cables.
- De ser necesarios adaptadores para el conjunto de cables, el reductor de abocardado hembra se deberá instalar primero y rotar hasta lograr el ajuste correcto. Luego la tuerca abocardada y el conjunto de cables se podrán instalar y rotar con una llave de refuerzo sobre el reductor de abocardado hembra para evitar su movimiento.



# Instrucciones de Instalación

## E. Prueba de Pérdidas

Realice los siguientes pasos con CADA juego de cables. La válvula de servicio principal cuenta con un puerto de 5/16", y podrá ser necesario contar con un adaptador.

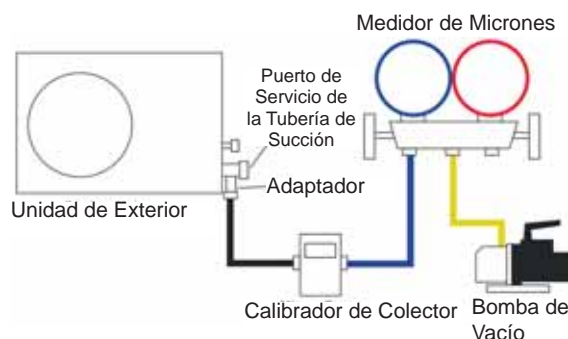
- Retire la tapa de servicio de la válvula.
- Utilizando un tanque de nitrógeno con un regulador adherido, cargue el sistema con 150 psig de nitrógeno seco usando un adaptador de mini Split para conectar la válvula.
- Realice un control de pérdidas en los accesorios abocinados, usando burbujas de jabón u otro dispositivo de detección. Si una pérdida es detectada, realice las reparaciones de los accesorios y vuelva a hacer un control. Si no se detectan pérdidas dentro de los 3 minutos, proceda.
- Usando el mismo tanque/ regulador, cargue el sistema hasta 300 psig.
- Realice un control de pérdidas de forma temprana. Si no se detectan pérdidas dentro de los 3 minutos, proceda.
- Usando el mismo tanque/ regulador, cargue el sistema hasta 500 psig.
- Realice un control de pérdidas de forma temprana. Continúe controlando el sistema durante 20 minutos.

**⚠ ADVERTENCIA** Uso sólo nitrógeno seco con un regulador de presión para presurizar la unidad. No use acetileno, oxígeno ni aire comprimido o mezclas que contengan estos componentes para pruebas de presión. No use mezclas de hidrógeno que contengan refrigerante y aire por encima de la presión atmosférica para pruebas de presión, ya que podrán volverse inflamables y ocasionar una explosión. El refrigerante, cuando se use como gas de rastreo, sólo deberá ser mezclado con nitrógeno seco en las unidades de presión. No seguir estas recomendaciones podrá resultar en la muerte o en lesiones graves, como también en daños sobre el equipamiento o la propiedad.

## F. Sistema de Evacuación

**NOTA**– No abra la válvula de servicio.

- Retire la tapa de la tubería de succión y adhiera un medidor de micrones y una bomba de vacío. El puerto es de 5/16", y es posible que se necesite un adaptador
- Evacúe el sistema hasta los por lo menos 350 micrones.
- Cierre la válvula de la bomba de vacío y controle el medidor de micrones. Si el medidor se eleva por encima de los 150 micrones en 60 segundos, la evacuación será incompleta o existe una pérdida en el sistema. Si el medidor no se eleva por encima de los 150 micrones en 60 segundos, la evacuación es completa.
- Una vez completada la evacuación, retire el adaptador y la conexión de la manguera del puerto de la tubería de succión y reemplace la tapa.
- La unidad exterior deberá estar conectada durante la evacuación y liberación de refrigerante.



# Instrucciones de Instalación

## Paso 3 – Instalación de la Unidad de Exterior

### G. Carga del Refrigerante

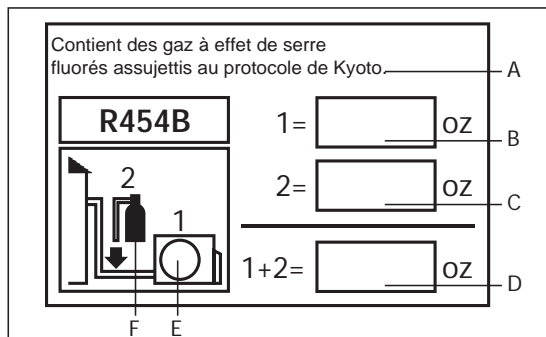
Si la instalación requirió más de 25 pies de un juego de cables de cobre, entonces agregue 0.2 onzas de R-410A al sistema por cada pie adicional del juego de cables.

- Agregue cada refrigerante adicional luego de la evacuación usando una balanza digital.

**NOTA:** Cargue líquido únicamente.

- Complete la etiqueta de carga de refrigerante usando tinta indeleble.
- Coloque la carga de refrigerante de fábrica que se encuentra en el cuadro número 1 de la placa de identificación exterior.
- Coloque la cantidad de refrigerante adicional agregado en la casilla número 2.
- Agregue las casillas 1 y 2 juntas y coloque la válvula en la casilla de suma (D).
- Adhiera la etiqueta completada en la proximidad con el Puerto de carga del producto y debajo de la placa de la tapa de las unidades exteriores.
- Si no encuentra el adhesivo, escriba las cantidades en la unidad exterior con un marcador indeleble sobre el puerto de carga.
- Retire la tapa de la válvula de la tubería de líquido. Usando una llave hexagonal, abra la válvula, y luego reemplace y ajuste la tapa.
- Retire la tapa de la válvula de la tubería de succión. Usando una llave hexagonal, abra la válvula, y luego reemplace y ajuste la tapa.
- Envuelva el juego de cables, la tubería de drenaje, y el cableado del AWG 14/4 comenzando por la parte inferior del conjunto con un envoltorio de superposición hasta que alcance el agujero de la tubería.
- Use un sellador para sellar la abertura del agujero de la tubería, a fin de evitar que los factores climáticos ingresen al edificio.

Este producto contiene gases fluorados de efecto invernadero cubiertos por el Protocolo de Kioto. No lo ventile en el ambiente.



Tipo de refrigerante: R-454B

Valor de GWP\*: 466

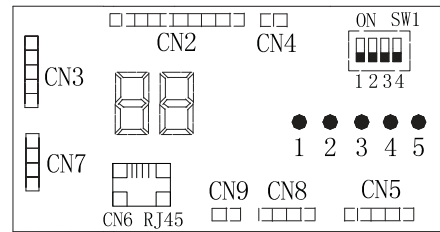
GWP = potencial de calentamiento global

# Instrucciones de Instalación

## Paso 4 – Control Final

### Prueba de Control del Cableado

Desconecte la entrada de corriente. Mueva todos los interruptores DIP del banco SW1 a ON (Encendido). Una vez encendida la corriente, la pantalla LED alternará la frecuencia del compresor y CH (Control). El sistema funcionará a través de cada unidad (A, B,C, D, y E), realizando ciclos en cada EEV (Válvula de Expansión Electrónica) mientras controla el cableado. Si la prueba fue exitosa, esto se indicará en la pantalla LED correspondiente exhibiendo un color verde constante (1=A, 2=B, 3=C, 4=D,5=E). Las unidades con cableados incorrectos generarán un código de error en pantalla, con la luz LED parpadeante correspondiente.



| Luces LED Verdes  |                   |              |              |              |              |  |
|---|-------------------|--------------|--------------|--------------|--------------|--|
| Pantalla  | 1 (Puerto A)      | 2 (Puerto B) | 3 (Puerto C) | 4 (Puerto D) | 5 (Puerto E) | Mensaje  |
| <b>88</b><br>Muestra la Velocidad del Compresor. Los números parpadeantes son fallas actuales | APAGADO           |              |              |              |              | No hay corriente en la unidad. La unidad se encendió de forma reciente y se inició la comunicación.  |
|   | ENCENDIDO/APAGADO |              |              |              |              | Cuando la luz LED está en ON (Encendida), esa unidad interior construyó un camino de comunicación y estará operativa. Cuando la luz LED esté en OFF (Apagada), no habrá unidad interior instalada y habrá mala comunicación. |

### Explicación del Funcionamiento al Usuario Final

- Usando el Manual del Propietario, explíquelo al usuario final cómo usar el acondicionador de aire/ bomba de vacío, (el control remoto, colocar/ retirar filtros de aire, colocar o retirar el control remoto del porta control remoto, métodos de limpieza, precauciones de uso, etc.).
- Revise las precauciones de uso.
- Recomendamos que el usuario lea las Instrucciones de uso detenidamente.

### Controlador Central UACT32A (Accesorio Opcional)

Si instalará un controlador central, use la comunicación RS485 en cumplimiento con un cable S00W cubierto de calibre 16/2 AWG, y conecte el cableado a las terminales C1 y C2 del bloque terminal de la unidad exterior. Consulte la sección C del Paso 3 de este manual para conocer la ubicación de C1 y C2 en el bloque terminal.

# Instrucciones de Instalación

## Lista de Control de la Instalación

- ¿No hay pérdida de gas del juego de cables?
- ¿Está el juego de cables aislado correctamente?
- ¿Están los cables de conexión de las unidades de interior insertados de manera firme en el bloque terminal?
- ¿Está el cableado de conexión de la unidad de interior y exterior fijo?
- ¿Está el material condensado siendo drenado correctamente?
- ¿Está el cable a tierra conectado de forma segura?
- ¿Está la unidad de interior fijada de forma segura?
- ¿Es el voltaje de la fuente de alimentación el correcto de acuerdo con el código local?
- ¿Hay algún ruido extraño?
- ¿Descendió la temperatura de enfriamiento a entre 20 y 30°F?
- ¿Ascendió la temperatura de calefacción a entre 35 y 40°F?
- ¿Es la pantalla de la temperatura ambiente precisa?
- ¿Sin continuidad entre los polos eléctricos?
- ¿Es correcto el emparejamiento de las tuberías de refrigerante y el cableado eléctrico?
- ¿Está el voltaje suministrado dentro del nivel de tolerancia?
- ¿Se completó la Prueba de Vacío?
- ¿Se agregó refrigerante adicional en la longitud de la tubería?
- ¿Se montó a nivel y de forma segura?
- ¿Hubo una desconexión dentro de la visual de la unidad exterior?
- ¿Posee la desconexión eléctrica el tamaño correcto?
- ¿Están las válvulas de detención completamente abiertas?
- ¿Está el extintor de incendios disponible?
- ¿Se extinguieron las fuentes abiertas de ignición para la puesta en funcionamiento?

## Lista de Control del Mantenimiento

- Limpieza estacional de bobinas (2 veces por año)
- Limpieza del canal de aire de la unidad exterior y del inversor del disipador de calor/ paletas del ventilador.
- Inspección/ mantenimiento del aislante del conjunto de cables.
- Retiro de insectos/ residuos extraños.

# Garantía limitada de HVAC sin conductos de GE Appliances

## GEAppliances.com

Por favor, guarde su recibo mostrando la fecha de compra original y la fecha de instalación.

Para los modelos de los productos que figuran en el Adjunto 1 (el "Producto"), esta Garantía Estándar Limitada es provista al Propietario Original del Producto:

| Pour la période de :   |  |
|--|--|
| Garantía del Control Remoto por 1 Año<br>Desde la Fecha de la instalación original   | Si el Control Remoto presenta defectos debido a una fabricación y/o material inadecuados por un <b>período de un (1) años</b> desde la fecha de instalación, GE Appliances brindará un controlador nuevo o reparado, a discreción de GE Appliances.  |
| Garantía Limitada de Partes por 5 Años<br>Desde la fecha de compra original  | Si alguna parte presenta defectos debido a una fabricación y/o material inadecuados por un <b>período de cinco (5) años</b> desde la fecha instalación, GE Appliances reemplazará cualquier parte defectuosa sin costo sobre la misma. Las partes usadas para el reemplazo podrán ser nuevas o reparadas, lo cual será determinado a discreción de GE Appliances, y se entregarán al técnico instalador con licencia de HVAC.  |
| Garantía Limitada y Registrada de Partes por 10 Años Desde la fecha de la instalación original<br><br>(REGISTRO A TRAVÉS DE INTERNET REQUERIDO en <b>GEAppliances.com</b> )<br><br>DEBERÁ SER UN HOGAR RESIDENCIAL DE UNA SOLA FAMILIA | Si alguna de las partes presenta defectos debido a una fabricación y/o material inadecuados por un <b>período de diez (10) años</b> desde la fecha instalación, GE Appliances reemplazará cualquier parte defectuosa sin costo sobre la misma. La parte de reemplazo poseerá garantía por el resto del período de garantía original de diez (10) años. Las partes usadas para el reemplazo podrán ser nuevas o reparadas, lo cual será determinado a discreción de GE Appliances, y se entregarán al técnico instalador con licencia de HVAC. Esta Garantía Limitada y Registrada de Partes requiere un registro a través de internet dentro de los sesenta (60) días desde la fecha original de instalación o tenencia.<br><br><b>LAS APLICACIONES NO RESIDENCIALES/ COMERCIALES NO SERÁN ELEGIBLES PARA ESTA GARANTÍA LIMITADA Y REGISTRADA DE PARTES.</b> |

## TRABAJO NO CUBIERTO

Estas garantías limitadas NO incluyen trabajos u otros costos incurridos por servicio, mantenimiento, reparación, retiro, reemplazo, instalación, cumplimiento de los códigos locales de edificación y eléctricos, envío o manipulación, reemplazo del sistema, compresores u otras partes.

## COMPONENTES EXCLUIDOS

Los siguientes componentes no están cubiertos por esta garantía: gabinetes, piezas de gabinetes, filtros de aire, secadores, refrigerante, conjuntos de líneas de refrigerante, correas, cableado, fusibles, boquillas de aceite, accesorios de la unidad y cualquier pieza que no afecte el funcionamiento de la unidad.

## CUÁL ES LA FECHA DE COMPRA

La "Fecha de Compra" es la fecha en que el Producto fue adquirido por el Propietario Original. La "Fecha de Instalación" es la fecha en que la instalación original fue completada y todos los procedimientos de inicio del Producto fueron adecuadamente completados y verificados en la factura del instalador. Si la fecha de instalación no puede ser verificada, entonces la Fecha de Instalación será de sesenta (60) días luego de la fecha de fabricación, de acuerdo con lo determinado por el número de serie del Producto o de treinta (30) días desde la Fecha de Compra. Usted deberá guardar y poder brindar su recibo de venta original entregado por el instalador como prueba de la Fecha de Compra y la Fecha de Instalación. En una edificación nueva, la Fecha de Compra será la fecha en que el Propietario le compró la residencia al constructor.

# Garantía limitada de HVAC sin conductos de GE Appliances

## QUIÉN ESTÁ CUBIERTO:

Ocupado por el propietario: El “Propietario Original” se refiere al propietario original (y su cónyuge) de la residencia de una sola familia donde el Producto fue originalmente instalado.

Ocupado por alguien que no es el propietario: “Ocupado por alguien que no es el propietario” se define como a) edificaciones residenciales de una sola familia o de múltiples familias que no están Ocupadas por el Propietario, o b) aplicaciones comerciales de baja intensidad (tales como edificios de oficinas, establecimientos minoristas, hoteles/ moteles).

En caso de no estar ocupado por el propietario, esta garantía limitada requiere que un técnico licenciado de HVAC instale y realice el mantenimiento anual del Producto (se requiere prueba de mantenimiento anual).

## CÓMO ACCEDER AL SERVICIO TÉCNICO:

Comuníquese con su técnico instalador con licencia de HVAC. Toda la instalación y el servicio deberán ser realizados por un técnico con licencia de HVAC. Si no se solicita el servicio de un técnico con licencia de HVAC para la instalación de este Producto, se anulará toda la garantía sobre este Producto.

## LO QUE LOS GE APPLIANCES NO CUBRIRÁN:

- Servicio o instalación inadecuados.
- Daños durante el envío.
- Defectos que no sean de fabricación (es decir: otra causa que no sea fabricación o materiales).
- Daño por uso inadecuado, abuso, accidente, alteración, falta de cuidado adecuado y/o mantenimiento regular.
- Daño resultante de inundaciones, incendios, viento, iluminación, accidentes o condiciones similares.
- Un producto que no fue instalado o su servicio técnico no fue realizado por un técnico con licencia de HVAC.
- Trabajo o servicios relacionados con la reparación o instalación del Producto.
- Un Producto comprado a un vendedor minorista no autorizado a través de Internet.
- Daño como resultado de exponer el Producto a un ambiente con materiales corrosivos o altos niveles de partículas (tales como hollín, aerosoles, gases, grasa).
- Modificación, cambio o alteración del equipamiento, excepto según lo indicado por escrito por GE Appliances.
- Uso de refrigerante contaminado o no compatible con la unidad.
- Funcionamiento con componentes del sistema (unidad interior, unidad exterior, y dispositivos de control de refrigerante) que no coinciden con AHRI ni cumplen con las especificaciones recomendadas por GE Appliances.
- Un Producto vendido y/o instalado fuera de los 50 Estados Unidos, el Distrito de Columbia o Canadá.
- Baterías del control remoto u otros accesorios provistos con el Producto para su instalación (por ejemplo: manguera plástica).
- Mantenimiento normal, tal como limpieza de bobinas, limpieza de filtros, y lubricación.
- En el caso de un Producto instalado en aplicaciones ocupadas por personas que no son dueños, un Producto que no haya sido mantenido anualmente por un técnico con licencia de HVAC (prueba requerida).
- Daño ocasionado por un componente o pieza usado o no aprobado por GE Appliances (es decir: un condensador/ climatizador usado y/o no aprobado).
- Componente o piezas no provistas por GE Appliances.
- Producto que fue transferido de su instalación original a una nueva residencia o edificación.
- Accidente o negligencia o uso o utilización no razonable del equipamiento, incluyendo el funcionamiento del equipamiento eléctrico en voltajes fuera del rango especificado en la placa de identificación de la unidad (incluye daños causados por caídas de tensión).
- Daños ocasionados sobre el producto por accidente, incendio, inundaciones o catástrofes naturales.
- Daños consecuentes o incidentales causados por posibles defectos sobre este producto.

# Garantía limitada de HVAC sin conductos de GE Appliances

## DERECHOS LEGALES

Algunos estados y provincias no permiten que los términos de la garantía estén sujetos a registros. En dichos estados y provincias, se aplica la Garantía Limitada y Registrada de Piezas por 10 Años. Además, si la ley del estado o provincia donde el Producto se encuentra instalado lo permite, los propietarios subsiguientes de la residencia o edificación podrán tener derechos adicionales o términos de garantía más prolongados.

## REQUISITOS DE COBERTURA DE LA GARANTÍA DE PARTES LIMITADA Y REGISTRADA :

- La unidad pertenece a la marca GE Appliances.
- La unidad se encuentra instalada en una aplicación residencial.
- La unidad fue correctamente registrada en **GEAppliances.com** dentro de los 60 días luego de la fecha de instalación o tenencia original.
- La unidad es parte de un sistema que coincide en su totalidad con AHRI y fue instalada por un contratista con certificado y licencia estatal, de acuerdo con la instalación, funcionamiento, e instrucciones de mantenimiento provistos con la unidad.
- Las unidades interiores y exteriores sin conducto sólo estarán cubiertas cuando sean de la marca GE Appliances y sean adquiridas e instaladas como un sistema junto con una unidad calificada. (Las bobinas de terceras marcas no están cubiertas).
- La instalación cumple con las leyes, regulaciones, códigos y ordenanzas aplicables.
- La unidad no fue ordenada a través de internet. Se podrá solicitar la prueba de compra.

## EXCLUSIÓN DE GARANTÍAS IMPLÍCITAS

**EXCEPTO HASTA DONDE ESTÉ PROHIBIDO POR LA LEY APLICABLE, ESTA GARANTÍA LIMITADA ES EXCLUSIVA Y REEMPLAZA A CUALQUIER OTRA GARANTÍA, EXPRESA O IMPLÍCITA, INCLUYENDO PERO SIN LIMITARSE A CUALQUIER GARANTÍA IMPLÍCITA DE COMERCIABILIDAD E IDONEIDAD PARA UN PROPÓSITO PARTICULAR.**

BAJO NINGUNA CIRCUNSTANCIA SERÁ GE APPLIANCES RESPONSABLE POR CUALQUIER DAÑO INDIRECTO, INCIDENTAL, ESPECIAL O CONSECUENTE INCLUYENDO, PERO SIN LIMITARSE A, FALTA DE BUENA VOLUNTAD, PÉRDIDA DE INGRESOS O GANANCIAS, INTERRUPCIÓN LABORAL, FALLA DEL SISTEMA, DETERIORO DE O DAÑO SOBRE OTRO EQUIPAMIENTO O BIENES, COSTO DE RETIRO Y REINSTALACIÓN DEL SISTEMA, FALTA DE USO, LESIÓN SOBRE PERSONAS O LA PROPIEDAD PRODUCIDA A PARTIR DE O RELACIONADA CON EL SISTEMA. LA RESPONSABILIDAD TOTAL DE GE APPLIANCES, DE HABERLA, BAJO ESTA GARANTÍA LIMITADA NO SUPERARÁ EL VALOR DE LA FACTURA ABONADO POR EL CLIENTE POR EL SISTEMA QUE ESTÁ SUJETO A UN RECLAMO O DISPUTA.

ALGUNOS ESTADOS NO PERMITEN LA EXCLUSIÓN O LIMITACIÓN DE DAÑOS INCIDENTALES O CONSECUENTES, O DESCARGOS DE RESPONSABILIDAD SOBRE LAS GARANTÍAS IMPLÍCITAS, DE MODO QUE LAS LIMITACIONES O EXCLUSIONES QUE FIGURAN MÁS ARRIBA PODRÁN NO APLICARSE AL CLIENTE. ESTA GARANTÍA LIMITADA LE DA AL CLIENTE DERECHOS LEGALES ESPECÍFICOS. LOS CLIENTES PODRÁN TENER TAMBIÉN OTROS DERECHOS QUE VARIEN DE UN ESTADO A OTRO.

La solución provista en esta garantía es exclusiva y es garantizada en lugar de todas las demás soluciones. Esta garantía no cubre daños incidentales o consecuentes. Algunos estados y provincias no permiten la exclusión de daños incidentales o consecuentes, de modo que es posible que esta limitación no se aplique en su caso. Algunos estados y provincias no permiten limitaciones en relación a la duración de una garantía implícita, de modo que es posible que esta limitación no se aplique en su caso. Esta garantía le da derechos legales específicos y es posible que tenga otros derechos legales que varían entre estados y provincias. Esta garantía cubre las unidades que se encuentran dentro de los 50 Estados Unidos, el Distrito de Columbia y Canadá.

Esta garantía es provista por:

**GE Appliances, a Haier company  
Louisville, KY 40225**

# Garantía limitada de HVAC sin conductos de GE Appliances

**Para Clientes de EE.UU.:** Esta garantía limitada se extiende al comprador original de productos adquiridos para uso hogareño dentro de EE.UU. En Alaska y Hawái, la garantía limitada no incluye los costos de las unidades enviadas.

Algunos estados no permiten la exclusión o limitación de daños fortuitos o consecuentes. Esta garantía limitada le da derechos legales específicos y es posible que tenga otros derechos legales que varían entre un estado y otro. Para conocer cuáles son sus derechos legales, consulte a la oficina de asuntos del consumidor local o estatal o al Fiscal de su estado.

**Garante: GE Appliances, a Haier company**  
**Louisville, KY 40225**

## ADJUNTO 1:

El producto se define como Unidades de Split sin conducto de la marca GE Appliances. El Producto contiene 2 subcategorías de productos: "Productos Interior y Exterior" y "Productos de Instalación Seleccionados", que son definidos en mayor detalle a continuación: "Los Productos Interior y Exterior" también se pueden identificar por las siguientes descripciones de sus números de modelo: 1G\*, 2G\*, 3G\*, 4G\*, 5G\*, GA\* GS\*, US\*

Abroche su recibo aquí. Para acceder al servicio técnico de acuerdo con la garantía deberá contar con la prueba de la fecha original de compra.

### Mantenimiento de registros

Gracias por adquirir este producto de GE Appliances. Este manual de instalación le ayudará a lograr el mejor rendimiento de su nueva bomba de calor.

Para futuras referencias, anote el modelo y el número de serie que se encuentran en la etiqueta del lado de la bomba de calor, así como la fecha de compra. Adjunte su comprobante de compra a este manual para ayudarlo a obtener el servicio de garantía si es necesario..

Para registrar su nuevo sistema libre de ductos de GE Appliances, vaya a [geappliancesairandwater.com](http://geappliancesairandwater.com) e ingrese la información del número de modelo / serie en esta página.

\_\_\_\_\_  
Número de modelo

\_\_\_\_\_  
Número de serie

\_\_\_\_\_  
Fecha de compra

# Nota

---

# **IMPORTANTE**

**No regrese este producto a la tienda**

**Si tiene un problema con este producto, por favor comuníquese al 1-877-337-3639 para solicitar el nombre y número telefónico del centro de servicio al cliente autorizado más cercano.**

**NECESITA UNA PRUEBA DE COMPRA FECHADA, NÚMERO DE MODELO Y DE SERIE PARA EL SERVICIO DE LA GARANTÍA**