



GE APPLIANCES

# MULTI-ZONE DUCTLESS HEAT PUMP SYSTEM OUTDOOR

# 3 ZONE

SUBMITTAL

Job Name: \_\_\_\_\_

Purchaser: \_\_\_\_\_

Submitted To: \_\_\_\_\_

Construction: \_\_\_\_\_

Reference: \_\_\_\_\_

Approval: \_\_\_\_\_

Date: \_\_\_\_\_

Submitted By: \_\_\_\_\_

Unit: \_\_\_\_\_

Drawing #: \_\_\_\_\_



## 3G24AD2BEA



### Outdoor Accessories

Front Wind Baffle	UAWB30GA
Side Wind Baffle	UASWB30GA
Back Wind Baffle	UAWB30GA
Top Cover	UATC21GA
Central Controller	UACT32A

### Specifications

Operating Range	Cooling without Wind Baffle °F (°C)	14~115°F (-10~46°C)
	Heating °F	-4~75°F (-20~24°C)
Power	Voltage, Cycle, Phase (V/Hz/-)	208-230/60/1
	Operating Voltage Range	187-253 VAC
Cooling Non-Ducted	Rated Capacity Btu/hr	24,000
	Capacity Range Btu/hr	4,000-25,000
	SEER2 / EER2	24.0/12.0
	Rated Power Input W	2,000
Heating Non-Ducted	Rated Heating capacity 47°F Btu/hr	27,000
	Heating Capacity Range Btu/hr	4,000-28,000
	COP @ 5°F	1.8
	HSPF2 (IV) / HSPF2(V)	10.2/7.8
Cooling Ducted	Rated Capacity Btu/hr	24,000
	Capacity Range Btu/hr	4,000-25,000
	SEER2 / EER2	17.2/10.5
Heating Ducted	Rated Heating capacity 47°F Btu/hr	25,000
	Heating Capacity Range Btu/hr	4,000-26,000
	COP @ 5°F	1.8
	HSPF2 (IV) / HSPF2(V)	9.5/7.4
Outdoor Unit	Compressor	DC Inverter Rotary
	Maximum Fuse Size A	25
	Minimum Circuit Amp A	18
	Outdoor Noise Level dB	53
	Dimension: HxWxD in (mm)	27 9/16 x 36 x 14 1/2 (700 x 915 x 368)
	Carton Dimension: HxWxD in (mm)	31 1/8 x 39 5/16 x 17 7/16 (790 x 998 x 443)
	Weight Ship / Net - lbs (kg)	119/137 (54/62)
Basepan Heater	No	
Refrigerant Line	Refrigerant	R454B
	Connections	Flare
	Liquid O.D. in	1/4 • 1/4 • 1/4
	Suction O.D. in	3/8 • 3/8 • 3/8
	Ships with Lineset Adapter*	WJ01X35716 (3/8" x 1/2")
	Factory Charge Oz	60
	Maximum Line Length Ft / m	197/60
	Maximum Height Ft / m	50/15
Minimum Line Length for Each Individual Indoor Unit Ft / m	10/3	
Maximum Line Length for Each Individual Indoor Unit Ft / m	82/25	
Maximum Line Length without Additional Charge Ft / m	100/30	

For more information visit us:  
[GEAppliancesAirAndWater.com](http://GEAppliancesAirAndWater.com)  
 ©Copyright 2025 GE Appliances, a Haier Company. GE is a trademark of the General Electric Company. Manufactured under trademark license. GE Appliances has a policy of continuous improvement of its products and reserves the right to change materials and specifications without notice.



\*See Lineset Adapter Application Guide on following page for adapter usage requirements.



GE APPLIANCES

# MULTI-ZONE DUCTLESS HEAT PUMP SYSTEM OUTDOOR

# 3 ZONE

## 3G24AD2BEA Lineset Adapter Application Guide

Combinations				
Port C		Port B	Port A	
Port Size: 1/4" x 3/8"	Required Adapter	Port Size: 1/4" x 3/8"	Port Size: 1/4" x 3/8"	
Two Zone	7K	-	7K	-
	9K	-	7K	-
	9K	-	9K	-
	12K	-	7K	-
	12K	-	9K	-
	12K	-	12K	-
	15K	-	7K	-
	15K	-	9K	-
	15K	-	12K	-
	15K	-	15K	-
	18K	D	7K	-
	18K	D	9K	-
	18K	D	12K	-
	Three Zone	7K	-	7K
9K		-	7K	7K
9K		-	9K	7K
9K		-	9K	9K
12K		-	7K	7K
12K		-	9K	7K
12K		-	9K	9K
12K		-	12K	7K
12K		-	12K	9K
15K		-	7K	7K
15K		-	9K	7K
15K		-	9K	9K
18K		D	7K	7K

Adapter	Part#	Description	Ships with ODU
D	WJ01X35716	3/8" to 1/2" (Vapor line for port C)	Yes (x1)

For more information visit us:

[GEAppliancesAirAndWater.com](http://GEAppliancesAirAndWater.com)

©Copyright 2025 GE Appliances, a Haier Company. GE is a trademark of the General Electric Company. Manufactured under trademark license. GE Appliances has a policy of continuous improvement of its products and reserves the right to change materials and specifications without notice.





GE APPLIANCES

# MULTI-ZONE DUCTLESS HEAT PUMP SYSTEM OUTDOOR

# 3 ZONE

## 3G24AD2BEA

### Heating Capacity Data (Non-Ducted)

TC: Total Capacity PI: Power Input

Outdoor Air Temp DB	Indoor Temperature (°F, DB)																				
	60			64			68			70			72			75			79		
	TC (Btu/h)	PI (W)	COP	TC (Btu/h)	PI (W)	COP	TC (Btu/h)	PI (W)	COP	TC (Btu/h)	PI (W)	COP	TC (Btu/h)	PI (W)	COP	TC (Btu/h)	PI (W)	COP	TC (Btu/h)	PI (W)	COP
-4°F (-20°C)	16,527	2,485	1.95	16,364	2,536	1.89	16,202	2,614	1.82	15,884	2,752	1.69	15,566	2,807	1.63	15,411	2,835	1.59	15,257	2,863	1.56
0°F (-18°C)	17,397	2,536	2.01	17,225	2,587	1.95	17,054	2,667	1.87	16,720	2,808	1.74	16,386	2,864	1.68	16,222	2,893	1.64	16,060	2,921	1.61
5°F (-15°C)	18,313	2,587	2.07	18,132	2,640	2.01	17,952	2,722	1.93	17,600	2,865	1.80	17,248	2,922	1.73	17,076	2,952	1.70	16,905	2,981	1.66
14°F (-10°C)	20,531	2,436	2.47	20,327	2,486	2.40	20,126	2,563	2.30	19,731	2,698	2.14	19,337	2,751	2.06	19,143	2,779	2.02	18,952	2,807	1.98
23°F (-5°C)	22,712	2,280	2.92	22,487	2,326	2.83	22,264	2,398	2.72	21,828	2,524	2.53	21,391	2,575	2.43	21,177	2,601	2.39	20,966	2,627	2.34
32°F (0°C)	24,875	2,121	3.44	24,628	2,164	3.34	24,385	2,231	3.20	23,906	2,348	2.98	23,428	2,395	2.87	23,194	2,419	2.81	22,962	2,443	2.75
41°F (5°C)	27,038	1,962	4.04	26,770	2,002	3.92	26,505	2,063	3.76	25,985	2,172	3.51	25,465	2,215	3.37	25,211	2,238	3.30	24,959	2,260	3.24
47°F (8°C)	28,094	1,832	4.49	27,815	1,869	4.36	27,540	1,927	4.19	27,000	2,029	3.90	26,460	2,069	3.75	26,195	2,090	3.67	25,933	2,111	3.60
55°F (13°C)	28,936	1,795	4.72	28,650	1,832	4.58	28,366	1,889	4.40	27,810	1,988	4.10	27,254	2,028	3.94	26,981	2,048	3.86	26,711	2,069	3.78
65°F (18°C)	27,490	1,526	5.28	27,217	1,557	5.12	26,948	1,605	4.92	26,420	1,690	4.58	25,891	1,724	4.40	25,632	1,741	4.31	25,376	1,758	4.23
75°F (24°C)	26,115	1,358	5.63	25,857	1,386	5.47	25,600	1,429	5.25	25,099	1,504	4.89	24,597	1,534	4.70	24,351	1,549	4.61	24,107	1,565	4.51

### Cooling Capacity Data (Non-Ducted)

TC: Total Capacity PI: Power Input

Outdoor Air Temp DB	Indoor Temperature (°F, DB)																				
	64 / 53			68 / 57			72 / 61			77 / 64			80 / 67			82 / 70			86 / 72		
	TC (Btu/h)	PI (W)	EER2	TC (Btu/h)	PI (W)	EER2	TC (Btu/h)	PI (W)	EER2	TC (Btu/h)	PI (W)	EER2	TC (Btu/h)	PI (W)	EER2	TC (Btu/h)	PI (W)	EER2	TC (Btu/h)	PI (W)	EER2
14°F (-10°C)	17,766	862	20.62	20,901	979	21.35	22,718	1,053	21.58	23,914	1,097	21.81	24,654	1,119	22.03	25,393	1,141	22.25	26,663	1,210	22.04
32°F (0°C)	18,506	907	20.41	21,772	1,031	21.13	23,665	1,108	21.36	24,910	1,154	21.58	25,681	1,178	21.80	26,451	1,201	22.02	27,774	1,273	21.81
50°F (10°C)	19,078	955	19.99	22,445	1,085	20.69	24,397	1,166	20.92	25,681	1,215	21.14	26,475	1,240	21.35	27,269	1,265	21.56	28,633	1,341	21.36
68°F (20°C)	18,704	1,061	17.63	22,005	1,205	18.26	23,918	1,296	18.45	25,177	1,350	18.65	25,956	1,378	18.84	26,735	1,405	19.03	28,071	1,489	18.85
86°F (30°C)	18,159	1,263	14.38	21,364	1,435	14.89	23,222	1,543	15.05	24,444	1,607	15.21	25,200	1,640	15.37	25,956	1,673	15.52	27,254	1,773	15.37
95°F (35°C)	17,295	1,540	11.23	20,347	1,750	11.63	22,116	1,882	11.75	23,280	1,960	11.88	24,000	2,000	12.00	24,720	2,040	12.12	25,956	2,162	12.00
104°F (40°C)	16,603	1,632	10.17	19,533	1,855	10.53	21,231	1,994	10.64	22,349	2,078	10.76	23,040	2,120	10.87	23,731	2,162	10.97	24,918	2,292	10.87
110°F (43°C)	15,607	1,681	9.28	18,361	1,911	9.61	19,957	2,054	9.71	21,008	2,140	9.82	21,658	2,184	9.92	22,307	2,227	10.02	23,423	2,361	9.92
115°F (46°C)	14,046	1,648	8.52	16,525	1,872	8.83	17,962	2,013	8.92	18,907	2,097	9.02	19,492	2,140	9.11	20,077	2,183	9.20	21,080	2,314	9.11

Heating and cooling capacities and power usage are measured under the assumption of indoor humidity of 46%.

\*Cooling capacities under low ambient temperatures below 23°F (-5°C) are tested when using wind baffle on outdoor unit.

For more information visit us:

[GEAppliancesAirAndWater.com](http://GEAppliancesAirAndWater.com)

©Copyright 2025 GE Appliances, a Haier Company. GE is a trademark of the General Electric Company. Manufactured under trademark license. GE Appliances has a policy of continuous improvement of its products and reserves the right to change materials and specifications without notice.





GE APPLIANCES

# MULTI-ZONE DUCTLESS HEAT PUMP SYSTEM OUTDOOR

# 3 ZONE

## 3G24AD2BEA

### Heating Capacity Data (Ducted)

TC: Total Capacity PI: Power Input

Outdoor Air Temp DB	Indoor Temperature (°F, DB)																				
	60			64			68			70			72			75			79		
	TC (Btu/h)	PI (W)	COP	TC (Btu/h)	PI (W)	COP	TC (Btu/h)	PI (W)	COP	TC (Btu/h)	PI (W)	COP	TC (Btu/h)	PI (W)	COP	TC (Btu/h)	PI (W)	COP	TC (Btu/h)	PI (W)	COP
-4°F (-20°C)	15,964	2,400	1.95	15,806	2,449	1.89	15,649	2,525	1.82	15,343	2,658	1.69	15,036	2,711	1.63	14,885	2,738	1.59	14,736	2,765	1.56
0°F (-18°C)	16,804	2,449	2.01	16,638	2,499	1.95	16,473	2,576	1.87	16,150	2,712	1.74	15,827	2,766	1.68	15,669	2,794	1.64	15,512	2,822	1.61
5°F (-15°C)	17,689	2,499	2.07	17,513	2,550	2.01	17,340	2,629	1.93	17,000	2,767	1.80	16,660	2,823	1.73	16,493	2,851	1.70	16,328	2,879	1.66
14°F (-10°C)	19,587	2,368	2.42	19,393	2,416	2.35	19,201	2,491	2.26	18,824	2,622	2.10	18,448	2,674	2.02	18,263	2,701	1.98	18,081	2,728	1.94
23°F (-5°C)	21,449	2,231	2.82	21,237	2,277	2.73	21,027	2,347	2.62	20,614	2,471	2.44	20,202	2,520	2.35	20,000	2,546	2.30	19,800	2,571	2.26
32°F (0°C)	23,294	2,093	3.26	23,063	2,135	3.16	22,835	2,201	3.04	22,387	2,317	2.83	21,940	2,364	2.72	21,720	2,387	2.67	21,503	2,411	2.61
41°F (5°C)	25,139	1,954	3.77	24,890	1,994	3.66	24,644	2,055	3.51	24,161	2,164	3.27	23,677	2,207	3.14	23,441	2,229	3.08	23,206	2,251	3.02
47°F (8°C)	26,013	1,838	4.15	25,755	1,875	4.02	25,500	1,933	3.87	25,000	2,035	3.60	24,500	2,076	3.46	24,255	2,096	3.39	24,012	2,117	3.32
55°F (13°C)	26,793	1,801	4.36	26,528	1,838	4.23	26,265	1,894	4.06	25,750	1,994	3.78	25,235	2,034	3.64	24,983	2,054	3.56	24,733	2,075	3.49
65°F (18°C)	25,453	1,531	4.87	25,201	1,562	4.73	24,952	1,610	4.54	24,463	1,695	4.23	23,973	1,729	4.06	23,734	1,746	3.98	23,496	1,764	3.90
75°F (24°C)	24,181	1,362	5.20	23,941	1,390	5.05	23,704	1,433	4.85	23,239	1,509	4.51	22,775	1,539	4.34	22,547	1,554	4.25	22,321	1,570	4.17

### Cooling Capacity Data (Ducted)

TC: Total Capacity PI: Power Input

Outdoor Air Temp DB	Indoor Temperature (°F, DB)																				
	64 / 53			68 / 57			72 / 61			77 / 64			80 / 67			82 / 70			86 / 72		
	TC (Btu/h)	PI (W)	EER2	TC (Btu/h)	PI (W)	EER2	TC (Btu/h)	PI (W)	EER2	TC (Btu/h)	PI (W)	EER2	TC (Btu/h)	PI (W)	EER2	TC (Btu/h)	PI (W)	EER2	TC (Btu/h)	PI (W)	EER2
14°F (-10°C)	17,766	985	18.04	20,901	1,119	18.68	22,718	1,203	18.88	23,914	1,253	19.08	24,654	1,279	19.28	25,393	1,304	19.47	26,663	1,383	19.28
32°F (0°C)	18,506	1,036	17.86	21,772	1,178	18.49	23,665	1,266	18.69	24,910	1,319	18.88	25,681	1,346	19.08	26,451	1,373	19.26	27,774	1,455	19.08
50°F (10°C)	19,078	1,091	17.49	22,445	1,240	18.10	24,397	1,333	18.30	25,681	1,389	18.49	26,475	1,417	18.68	27,269	1,445	18.87	28,633	1,532	18.69
68°F (20°C)	18,704	1,212	15.43	22,005	1,378	15.97	23,918	1,481	16.15	25,177	1,543	16.32	25,956	1,574	16.49	26,735	1,606	16.65	28,071	1,702	16.49
86°F (30°C)	18,159	1,443	12.58	21,364	1,640	13.03	23,222	1,763	13.17	24,444	1,837	13.31	25,200	1,874	13.45	25,956	1,912	13.58	27,254	2,026	13.45
95°F (35°C)	17,295	1,760	9.83	20,347	2,000	10.17	22,116	2,150	10.28	23,280	2,240	10.39	24,000	2,286	10.50	24,720	2,331	10.60	25,956	2,471	10.50
104°F (40°C)	16,603	1,865	8.90	19,533	2,120	9.21	21,231	2,279	9.31	22,349	2,374	9.41	23,040	2,423	9.51	23,731	2,471	9.60	24,918	2,620	9.51
110°F (43°C)	15,607	1,921	8.12	18,361	2,183	8.41	19,957	2,348	8.50	21,008	2,446	8.59	21,658	2,496	8.68	22,307	2,545	8.76	23,423	2,698	8.68
115°F (46°C)	14,046	1,883	7.46	16,525	2,140	7.72	17,962	2,301	7.81	18,907	2,397	7.89	19,492	2,446	7.97	20,077	2,495	8.05	21,080	2,644	7.97

Heating and cooling capacities and power usage are measured under the assumption of indoor humidity of 46%.

\*Cooling capacities under low ambient temperatures below 23°F (-5°C) are tested when using wind baffle on outdoor unit.

For more information visit us:

[GEAppliancesAirAndWater.com](http://GEAppliancesAirAndWater.com)

©Copyright 2025 GE Appliances, a Haier Company. GE is a trademark of the General Electric Company. Manufactured under trademark license. GE Appliances has a policy of continuous improvement of its products and reserves the right to change materials and specifications without notice.



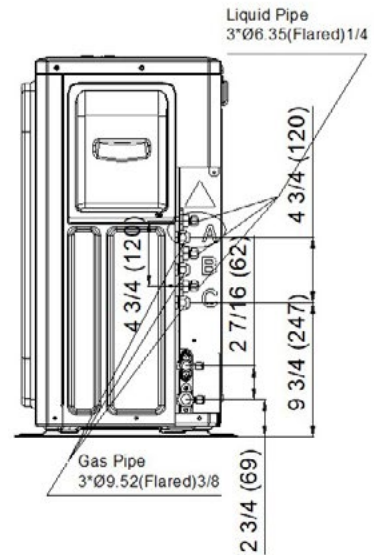
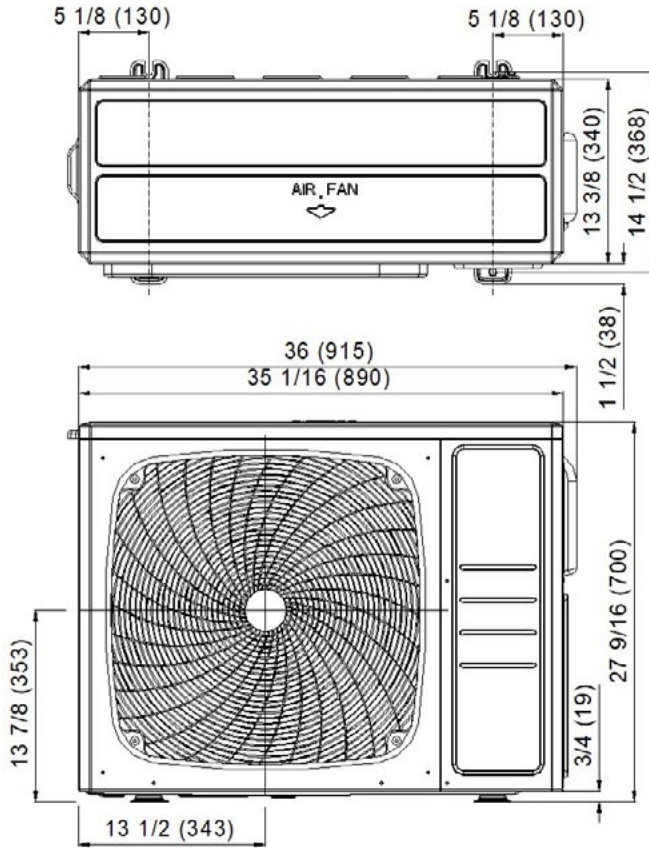


GE APPLIANCES

# MULTI-ZONE DUCTLESS HEAT PUMP SYSTEM OUTDOOR

# 3 ZONE

## 3G24AD2BEA



Note: Dimensions are shown in inches (millimeters)

### SUBMITTAL REVISION HISTORY

03-25-25: Submittal release.

For more information visit us:

[GEAppliancesAirAndWater.com](http://GEAppliancesAirAndWater.com)

©Copyright 2025 GE Appliances, a Haier Company. GE is a trademark of the General Electric Company. Manufactured under trademark license. GE Appliances has a policy of continuous improvement of its products and reserves the right to change materials and specifications without notice.

