



GE APPLIANCES

## Multi-Zone

### Ductless Multi-Split Heat Pumps



2G18AD2BEA  
3G24AD2BEA  
4G36AD2BEA



2G20ED2BEA  
3G24ED2BEA  
4G36ED2BEA  
5G42ED2BEA



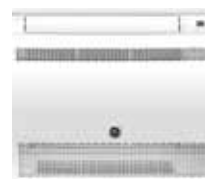
#### Wall Mount - Highwall

GS07WB2BEA  
GS09WB2BEA  
GS09WP2BEA  
GS12WB2BEA  
GS12WP2BEA  
GS15WB2BEA  
GS18WB2BEA  
GS18WP2BEA  
GS24WB2BEA  
GS24WP2BEA



#### Cassette

US09CB2BEA  
US12CB2BEA  
US18CB2BEA  
US24LB2BEA



#### Console

US09FB2BEA  
US12FB2BEA  
US18FB2BEA



#### Mid-Static Ducted

US09MB2BEA  
US12MB2BEA  
US18MB2BEA  
US24MB2BEA



GE APPLIANCES  
a Haier company

AIR & WATER  
SOLUTIONS



**TABLE OF CONTENTS**

<b>1. SPECIFICATIONS.....</b>	<b>3</b>	<b>6. FLOOR CONSOLE INDOOR UNITS .....</b>	<b>64</b>
<b>2. SYSTEM.....</b>	<b>8</b>	6.1 Dimensions.....	64
2.1 General.....	8	6.2 Center of Gravity.....	64
2.2 Installation Requirements .....	8	6.3 General.....	65
2.3 Electrical Requirements.....	8	6.4 Installation .....	65
2.4 Refrigerant System Diagrams .....	9	6.5 Electrical Requirements.....	65
2.5 Piping Adapter Guide .....	14	6.6 Components.....	66
2.6 Combination Tables .....	16	6.7 Wiring Diagrams .....	67
2.7 Capacity Tables .....	27	6.8 Air Velocity and Temperature Distribution .....	68
<b>3. OUTDOOR UNITS .....</b>	<b>34</b>	<b>7. CASSETTE INDOOR UNITS .....</b>	<b>69</b>
3.1 Dimensions.....	34	7.1 Dimensions.....	69
3.2 Center of Gravity.....	37	7.2 Center of Gravity.....	71
3.3 General.....	38	7.3 General.....	72
3.4 Installation .....	38	7.4 Installation .....	72
3.5 Components.....	39	7.5 Electrical Requirements.....	72
3.6 Wiring Diagrams .....	40	7.6 Components.....	73
<b>4. HIGHWALL INDOOR UNITS.....</b>	<b>43</b>	7.7 Panels .....	73
4.1 Dimensions.....	43	7.8 Wiring Diagrams .....	74
4.2 Center of Gravity.....	46	7.9 Air Velocity and Temperature Distribution .....	75
4.3 General.....	48	<b>8. CONTROLS AND ACCESSORIES .....</b>	<b>77</b>
4.4 Installation .....	48	8.1 Outdoor Unit Accessories .....	77
4.5 Electrical Requirements.....	49	8.2 Indoor Unit Accessories.....	77
4.6 Components.....	49	8.3 Controllers .....	79
4.7 Wiring Diagrams .....	50	8.4 Indoor Unit Accessory Compatibility Table .....	80
4.8 Air Velocity and Temperature Distribution .....	52		
<b>5. DUCTED INDOOR UNITS.....</b>	<b>57</b>		
5.1 Dimensions.....	57		
5.2 Center of Gravity.....	58		
5.3 General.....	58		
5.4 Installation .....	59		
5.5 Electrical Requirements.....	59		
5.6 Components.....	59		
5.7 Wiring Diagrams .....	60		
5.8 Air Velocity and Temperature Distribution .....	61		
5.9 Airflow and Static Pressure.....	62		

*Revision History*

**11-21-25:** Edition release.

# 1. SPECIFICATIONS

## NOTE

Our continued commitment to quality products may mean a change in specifications without notice. Visit [GEAppliancesAirandWater.com](http://GEAppliancesAirandWater.com) to access current specification tables online.



2 Zones



3 Zones



		2G18AD2BEA	3G24AD2BEA	4G36AD2BEA
Cooling Non-Ducted	Rated Capacity Btu/hr	18,000	24,000	35,000
	Capacity Range Btu/hr	4,000-19,000	4,000-25,000	6,500-36,000
	SEER2	22.5	24.0	20.0
	EER2	12.0	12.0	10.0
Cooling Ducted	Rated Capacity Btu/hr	17,000	24,000	33,400
	Capacity Range Btu/hr	4,000-18,000	4,000-25,000	6,500-34,000
	SEER2	18.8	17.2	16.5
	EER2	10.8	10.5	8.8
Heating Non-Ducted	Rated Heating Capacity 47°F Btu/hr	21,000	27,000	36,000
	Capacity Range Btu/hr	4,000-22,000	4,000-28,000	6,500-37,000
	HSPF2 (IV)	10.5	10.2	10.0
	Rated Heating Capacity 5°F Btu/hr	16,600	17,600	23,000
	Heating Capacity at 5°F / Capacity at 47°F	79.0%	65.2%	63.9%
	COP @ 5°F / COP @ 47°F	1.8 / 3.6	1.8 / 3.9	1.8 / 3.2
Heating Ducted	Rated Heating Capacity 47°F Btu/hr	19,000	25,000	35,600
	Capacity Range Btu/hr	4,000-20,000	4,000-26,000	6,500-36,000
	HSPF2 (IV)	9.5	9.5	9.3
	Rated Heating Capacity 5°F Btu/hr	15,000	17,000	21,000
	Heating Capacity at 5°F / Capacity at 47°F	77.0%	67.0%	60.0%
	COP @ 5°F / COP @ 47°F	1.8 / 3.7	1.8 / 3.6	1.8 / 3.3
Operating Range	Cooling °F (°C)	14-115°F (-10-46°C)	14-115°F (-10-46°C)	14-115°F (-10-46°C)
	Heating °F (°C)	-4-75°F (-20-24°C)	-4-75°F (-20-24°C)	-4-75°F (-20-24°C)
Power Supply	Voltage, Cycle, Phase V/Hz/-	208-230/60/1	208-230/60/1	208-230/60/1
	Wire Size Between IDU and ODU	14/4 AWG Stranded for L1, L2, C, G between ODU and each IDU; and 16/2 AWG Stranded Shielded for H1, H2 between ODU and nearest IDU	14/4 AWG Stranded for L1, L2, C, G between ODU and each IDU; and 16/2 AWG Stranded Shielded for H1, H2 between ODU and nearest IDU	14/4 AWG Stranded for L1, L2, C, G between ODU and each IDU; and 16/2 AWG Stranded Shielded for H1, H2 between ODU and nearest IDU
	Maximum Fuse Size A	25	25	30
	Minimum Circuit Amp A	16	18	22
Outdoor Unit	Compressor Type	DC Inverter Rotary	DC Inverter Rotary	DC Inverter Rotary
	Outdoor Fan Speed RPM	200-700	200-700	250-780
	Outdoor Noise Level dB	52	53	58
	Dimension: Height in (mm)	27 9/16 (700)	27 9/16 (700)	30 1/8 (765)
	Dimension: Width in (mm)	36 (915)	36 (915)	37 3/16 (945)
	Dimension: Depth in (mm)	14 1/2 (368)	14 1/2 (368)	15 13/16 (402)
	Weight (Net/Ship)- lbs (kg)	112/130 (51/59)	119/137 (54/62)	134/152 (61/69)
	Basepan Heater	No	No	No
Refrigerant Lines	Refrigerant	R454B	R454B	R454B
	Connections	Flare	Flare	Flare
	Liquid O.D. in	1/4 1/4	1/4 1/4 1/4	1/4 1/4 1/4 1/4
	Suction O.D. in	3/8 3/8	3/8 3/8 3/8	3/8 3/8 3/8 1/2
	Factory Charge Oz	53	60	81
	Maximum Line Length Ft / m	98/30	197/60	230/70
	Maximum Height Ft / m	50/15	50/15	50/15
	Minimum Line Length for Each Individual Indoor Unit Ft / m	10/3	10/3	10/3
Maximum Line Length for Each Individual Indoor Unit Ft / m	65/20	82/25	82/25	
Maximum Line Length without Additional Charge Ft / m	66/20	100/30	131/40	

# 1. SPECIFICATIONS

## NOTE

Our continued commitment to quality products may mean a change in specifications without notice. Visit [GEAppliancesAirandWater.com](http://GEAppliancesAirandWater.com) to access current specification tables online.



2 Zones



3 Zones

4 Zones



5 Zones

		2G20ED2BEA	3G24ED2BEA	4G36ED2BEA	5G42ED2BEA
<b>Cooling Non-Ducted</b>	Rated Capacity Btu/hr	18,000	24,000	36,000	42,000
	Capacity Range Btu/hr	4,000-19,000	4,000-25,000	6,500-36,500	6,500-42,500
	SEER2	20.6	23.0	20.5	20.5
	EER2	12.3	12.2	11.0	10.5
<b>Cooling Ducted</b>	Rated Capacity Btu/hr	17,000	24,000	35,000	42,000
	Capacity Range Btu/hr	4,000-18,000	4,000-25,000	6,500-35,500	6,500-42,500
	SEER2	17.6	17.2	17.4	17.4
	EER2	10.8	10.5	10.2	10.2
<b>Heating Non-Ducted</b>	Rated Heating Capacity 47°F Btu/hr	22,000	25,000	36,000	42,500
	Capacity Range Btu/hr	4,000-23,000	4,000-26,000	6,500-37,000	6,500-43,500
	HSPF2 (IV)	10.5	10.5	10.0	9.5
	Rated Heating Capacity 5°F Btu/hr	20,000	22,800	34,000	35,000
	Heating Capacity at 5F / Capacity at 47F	91%	91%	94%	81%
	COP @ 5°F / COP @ 47°F	1.8 / 3.7	1.8 / 3.6	1.8 / 3.7	1.8 / 3.6
<b>Heating Ducted</b>	Rated Heating Capacity 47°F Btu/hr	22,000	26,000	35,000	42,500
	Capacity Range Btu/hr	4,000-23,000	4,000-27,000	6,500-36,000	6,500-43,500
	HSPF2 (IV)	10.5	10.0	10.0	9.5
	Rated Heating Capacity 5°F Btu/hr	20,000	22,000	30,000	35,000
	Heating Capacity at 5F / Capacity at 47F	90%	85%	84%	83%
	COP @ 5°F / COP @ 47°F	1.8 / 3.6	1.8 / 3.5	1.8 / 3.9	1.8 / 3.5
<b>Operating Range</b>	Cooling °F (°C)	14-115°F (-10-46°C)	14-115°F (-10-46°C)	14-115°F (-10-46°C)	14-115°F (-10-46°C)
	Heating °F (°C)	-22-75°F (-30-24°C)	-22-75°F (-30-24°C)	-22-75°F (-30-24°C)	-22-75°F (-30-24°C)
<b>Power Supply</b>	Voltage, Cycle, Phase V/Hz/-	208-230/60/1	208-230/60/1	208-230/60/1	208-230/60/1
	Wire Size Between IDU and ODU	14/4 AWG Stranded for L1, L2, C, G between ODU and each IDU; and 16/2 AWG Stranded Shielded for H1, H2 between ODU and nearest IDU	14/4 AWG Stranded for L1, L2, C, G between ODU and each IDU; and 16/2 AWG Stranded Shielded for H1, H2 between ODU and nearest IDU	14/4 AWG Stranded for L1, L2, C, G between ODU and each IDU; and 16/2 AWG Stranded Shielded for H1, H2 between ODU and nearest IDU	14/4 AWG Stranded for L1, L2, C, G between ODU and each IDU; and 16/2 AWG Stranded Shielded for H1, H2 between ODU and nearest IDU
	Maximum Fuse Size A	30	30	40	40
	Minimum Circuit Amp A	20	21	35	36
<b>Outdoor Unit</b>	Compressor Type	DC Inverter Rotary	DC Inverter Rotary	DC Inverter Rotary	DC Inverter Rotary
	Outdoor Fan Speed RPM	250-780	250-780	250-650	250-650
	Outdoor Noise Level dB	57	57	60	62
	Dimension: Height in (mm)	30 1/8 (765)	30 1/8 (765)	33 1/16 (840)	33 1/16 (840)
	Dimension: Width in (mm)	37 3/16 (945)	37 3/16 (945)	41 3/4 (1060)	41 3/4 (1060)
	Dimension: Depth in (mm)	15 13/16 (402)	15 13/16 (402)	15 13/16 (402)	15 13/16 (402)
	Weight (Net/Ship) - lbs (kg)	130/148 (59/67)	132/150 (60/68)	198/243 (90/110)	201/245 (91/111)
	Basepan Heater	Yes	Yes	Yes	Yes
<b>Refrigerant Lines</b>	Refrigerant	R454B	R454B	R454B	R454B
	Connections	Flare	Flare	Flare	Flare
	Liquid O.D. in	1/4 1/4	1/4 1/4 1/4	1/4 1/4 1/4 1/4	1/4 1/4 1/4 1/4 1/4
	Suction O.D. in	3/8 3/8	3/8 3/8 3/8	3/8 3/8 3/8 1/2	3/8 3/8 3/8 1/2 1/2
	Factory Charge Oz	60	71	113	123
	Maximum Line Length Ft / m	164/50	197/60	230/70	262/80
	Maximum Height Ft / m	50/15	50/15	50/15	50/15
	Minimum Line Length for Each Individual Indoor Unit Ft / m	10/3	10/3	10/3	10/3
	Maximum Line Length for Each Individual Indoor Unit Ft / m	82/25	82/25	82/25	82/25
Maximum Line Length Without Additional Charge Ft / m	66/20	100/30	131/40	164/50	

# 1. SPECIFICATIONS

## Highwall Indoor - Standard



	GS07WB2BEA	GS09WB2BEA	GS12WB2BEA	GS15WB2BEA	GS18WB2BEA	GS24WB2BEA
Rated Capacity Btu/hr	7,000	9,000	12,000	15,000	18,000	24,000
Voltage, Cycle, Phase V/Hz/Phase	208-230/60/1	208-230/60/1	208-230/60/1	208-230/60/1	208-230/60/1	208-230/60/1
Fan Speed Stages	5 + Auto	5 + Auto	5 + Auto	5 + Auto	5 + Auto	5 + Auto
Motor Speed RPM: Cooling (Turbo/High/Med/Low/Quiet)	1250/1050/950/850/750	1250/1050/950/850/750	1250/1100/1000/900/750	1400/1350/1100/850/610	1250/1150/1050/950/800	1300/1200/1050/900/750
Motor Speed RPM: Heating (Turbo/High/Med/Low/Quiet)	1200/1020/895/770/700	1200/1020/895/770/700	1200/1020/920/820/700	1400/1350/1200/1050/610	1250/1150/1025/900/750	1300/1200/1050/900/750
Airflow CFM: Cooling (Turbo/High/Med/Low/Quiet)	360/290/260/230/210	360/290/260/230/210	360/300/272/240/210	410/370/280/210/170	570/520/480/420/330	800/730/630/535/440
Airflow CFM: Heating (Turbo/High/Med/Low/Quiet)	350/290/250/220/200	350/290/250/220/200	350/290/260/230/200	420/390/350/310/180	570/520/450/380/310	800/730/630/535/440
Indoor Sound Level dB: Cooling (Turbo/High/Med/Low/Quiet)	44/38/35/32/27	44/38/35/32/27	44/39/36/33/27	46/45/40/33/26	50/46/44/40/35	54/50/47/44/38
Indoor Sound Level dB: Heating (Turbo/High/Med/Low/Quiet)	42/36/32/28/26	42/36/32/28/26	42/36/32/29/26	44/43/40/37/23	48/46/41/38/33	54/50/47/44/38
Auto Up-Down Louver	Yes	Yes	Yes	Yes	Yes	Yes
Auto Left-Right Louver	No	No	No	No	No	No
Dimension: H x W x D in (mm)	11 7/8 x 34 1/4 x 7 3/4 (301 x 870 x 196)	11 7/8 x 34 1/4 x 7 3/4 (301 x 870 x 196)	11 7/8 x 34 1/4 x 7 3/4 (301 x 870 x 196)	12 1/4 x 36 1/8 x 8 3/8 (312 x 918 x 213)	12 7/8 x 39 3/8 x 8 3/4 (327 x 999 x 223)	13 1/2 x 44 1/2 x 9 1/8 (343 x 1129 x 232)
Weight (Net/Ship)- lbs (kg)	21.62/26.7 (9.8/12.1)	21.84/26.92 (9.9/12.2)	21.84/26.92 (9.9/12.2)	24.49/30.45 (11.1/13.8)	27.8/34.64 (12.6/15.7)	34.86/43.03 (15.8/19.5)
Liquid O.D. in	1/4	1/4	1/4	1/4	1/4	1/4
Suction O.D. in	3/8	3/8	3/8	3/8	1/2	1/2
Drain Pipe Size O.D in	5/8	5/8	5/8	5/8	5/8	5/8
WiFi*	Built-in	Built-in	Built-in	Built-in	Built-in	Built-in
Factory-Installed Refrigerant Detection Sensor (RDS)	No	No	No	No	No	No
Refrigerant Detection Sensor (RDS) Compatible	Yes (UALS01A, sold separately)	Yes (UALS01A, sold separately)	Yes (UALS01A, sold separately)	Yes (UALS01A, sold separately)	Yes (UALS01A, sold separately)	Yes (UALS01A, sold separately)

\*WiFi includes SmartHO™ Home and SmartHO™ Service compatibility.

## Highwall Indoor - Premium



	GS09WP2BEA	GS12WP2BEA	GS18WP2BEA	GS24WP2BEA
Rated Capacity Btu/hr	9,000	12,000	18,000	24,000
Voltage, Cycle, Phase V/Hz/Phase	208-230/60/1	208-230/60/1	208-230/60/1	208-230/60/1
Fan Speed Stages	5 + Auto	5 + Auto	5 + Auto	5 + Auto
Motor Speed RPM: Cooling (Turbo/High/Med/Low/Quiet)	1200/1100/875/650/610	1300/1250/1050/850/610	1300/1250/1050/850/800	1300/1200/1050/900/750
Motor Speed RPM: Heating (Turbo/High/Med/Low/Quiet)	1200/1100/900/700/610	1300/1250/1150/1050/610	1300/1250/1025/800/750	1300/1200/1050/900/750
Airflow CFM: Cooling (Turbo/High/Med/Low/Quiet)	395/355/310/260/170	410/370/280/210/170	580/530/480/400/350	800/730/630/535/440
Airflow CFM: Heating (Turbo/High/Med/Low/Quiet)	395/355/290/220/170	420/390/350/310/180	580/530/450/350/320	800/730/630/535/440
Indoor Sound Level dB: Cooling (Turbo/High/Med/Low/Quiet)	44/42/36/32/27	46/44/38/32/25	51/50/44/37/25	54/50/47/44/38
Indoor Sound Level dB: Heating (Turbo/High/Med/Low/Quiet)	43/41/37/32/29	43/42/39/36/25	49/47/40/35/26	54/50/47/44/38
Auto Up-Down Louver	Yes	Yes	Yes	Yes
Auto Left-Right Louver	Yes	Yes	Yes	Yes
Dimension: H x W x D in (mm)	12 1/4 x 36 x 8 3/8 (312 x 914 x 213)	12 1/4 x 36 x 8 3/8 (312 x 914 x 213)	12 7/8 x 39 3/4 x 8 3/4 (327 x 1009 x 223)	13 1/2 x 44 1/2 x 9 1/8 (343 x 1129 x 232)
Weight (Net/Ship)- lbs (kg)	24.49/30.56 (11.1/13.85)	24.49/30.56 (11.1/13.85)	29.57/36.63 (13.4/16.6)	34.86/43.03 (15.8/19.5)
Liquid O.D. in	1/4	1/4	1/4	1/4
Suction O.D. in	3/8	3/8	1/2	1/2
Drain Pipe Size O.D in	5/8	5/8	5/8	5/8
WiFi*	Built-in	Built-in	Built-in	Built-in
Factory-Installed Refrigerant Detection Sensor (RDS)	No	No	No	No
Refrigerant Detection Sensor (RDS) Compatible	Yes (UALS01A, sold separately)	Yes (UALS01A, sold separately)	Yes (UALS01A, sold separately)	Yes (UALS01A, sold separately)

\*WiFi includes SmartHO™ Home and SmartHO™ Service compatibility.

# 1. SPECIFICATIONS

## Cassette Indoor



	US09CB2BEA	US12CB2BEA	US18CB2BEA	US24LB2BEA
Panel Model	GACCP01WA	GACCP01WA	GACCP01WA	GALCP01WA
Rated Capacity Btu/hr	9,000	12,000	18,000	24,000
Voltage, Cycle, Phase V/Hz/Phase	208-230/60/1	208-230/60/1	208-230/60/1	208-230/60/1
Fan Speed Stages	5 + Auto	5 + Auto	5 + Auto	5 + Auto
Motor Speed RPM: Cooling (Turbo/High/Med/Low/Quiet)	830/760/690/620/560	830/760/690/620/560	850/800/760/680/590	620/580/540/430/360
Motor Speed RPM: Heating (Turbo/High/Med/Low/Quiet)	830/760/690/620/560	830/760/690/620/560	850/800/760/680/590	620/580/540/430/360
Airflow CFM: Cooling (Turbo/High/Med/Low/Quiet)	440/387/351/320/290	440/387/351/320/290	458/425/387/345/302	1033/873/858/640/400
Airflow CFM: Heating (Turbo/High/Med/Low/Quiet)	440/387/351/320/290	440/387/351/320/290	479/441/387/345/302	1033/873/858/640/400
Indoor Sound Level dB: Cooling (Turbo/High/Med/Low/Quiet)	42/40/36/32/25	45/42/40/36/32	45/42/40/36/32	46/44/41/38/35
Indoor Sound Level dB: Heating (Turbo/High/Med/Low/Quiet)	42/40/36/32/25	45/42/40/36/32	45/42/40/36/32	46/44/42/39/36
Chassis Dimension: HxWxD in (mm)	10 1/4 x 22 3/4 x 22 3/4 (260 x 575 x 575)	10 1/4 x 22 3/4 x 22 3/4 (260 x 575 x 575)	10 1/4 x 22 3/4 x 22 3/4 (260 x 575 x 575)	9 3/4 x 33 x 33 (248 x 840 x 840)
Panel Dimension: HxWxD in (mm)	2 3/8 x 27 7/16 x 27 7/16 (60 x 620 x 620)	2 3/8 x 27 7/16 x 27 7/16 (60 x 620 x 620)	2 3/8 x 27 7/16 x 27 7/16 (60 x 620 x 620)	1 15/16 x 37 3/8 x 37 3/8 (50 x 950 x 950)
Weight (Net/Ship) - lbs (kg)	32.41/47.4 (14.7/21.5)	32.41/47.4 (14.7/21.5)	32.41/47.4 (14.7/21.5)	56.22/85.32 (25.5/38.7)
Liquid Pipe O.D. (in)	1/4	1/4	1/4	3/8
Suction Pipe O.D. (in)	3/8	3/8	1/2	5/8
Drainpipe Size O.D. (in)	1*	1*	1*	1*
Condensate Pump Built-In	Yes	Yes	Yes	Yes
Max. Drain-Lift Height in (mm)	47 1/4 (1200)	47 1/4 (1200)	47 1/4 (1200)	47 1/4 (1200)
WiFi**	Built-in	Built-in	Built-in	Built-in
Factory-Installed Refrigerant Detection Sensor (RDS)	No	No	No	No
Refrigerant Detection Sensor (RDS) Compatible	Yes (UALS01A, sold separately)	Yes (UALS01A, sold separately)	Yes (UALS01A, sold separately)	Yes (UALS01A, sold separately)

\*Condensate drain adapter shipped with the indoor unit is designed to accept a 3/4" PVC pipe.

\*\*WiFi includes SmartHO™ Home and SmartHO™ Service compatibility.

## Console Indoor



	US09FB2BEA	US12FB2BEA	US18FB2BEA
Rated Capacity Btu/hr	9,000	12,000	18,000
Voltage, Cycle, Phase V/Hz/Phase	208-230/60/1	208-230/60/1	208-230/60/1
Fan Speed Stages	5 + Auto	5 + Auto	5 + Auto
Motor Speed RPM: Cooling (Turbo/High/Med/Low/Quiet)	700/560/480/410/360	800/590/510/440/390	850/710/690/560/510
Motor Speed RPM: Heating (Turbo/High/Med/Low/Quiet)	700/560/480/410/360	800/590/510/440/390	850/710/690/560/510
Airflow CFM: Cooling (Turbo/High/Med/Low/Quiet)	290/218/205/176/147	314/226/210/195/175	345/341/271/218/210
Airflow CFM: Heating (Turbo/High/Med/Low/Quiet)	312/206/205/176/147	311/223/200/195/175	345/300/280/218/210
Indoor Sound Level dB: Cooling (Turbo/High/Med/Low/Quiet)	44/40/37/32/24	47/41/37/33/25	49/44/43/40/37
Indoor Sound Level dB: Heating (Turbo/High/Med/Low/Quiet)	43/37/32/27/20	47/40/37/33/25	49/43/43/37/37
Dimension: HxWxD in (mm)	23 5/8 x 27 1/2 x 8 3/4 (600 x 700 x 220)	23 5/8 x 27 1/2 x 8 3/4 (600 x 700 x 220)	23 5/8 x 27 1/2 x 8 3/4 (600 x 700 x 220)
Weight (Net/Ship) - lbs (kg)	32.41/43.43 (14.7/19.7)	32.41/43.43 (14.7/19.7)	32.41/43.43 (14.7/19.7)
Liquid Pipe O.D. (in)	1/4	1/4	1/4
Suction Pipe O.D. (in)	3/8	3/8	1/2
Drainpipe Size O.D. in	5/8	5/8	5/8
WiFi*	Built-in	Built-in	Built-in
Factory-Installed Refrigerant Detection Sensor (RDS)	Yes	Yes	Yes

\*WiFi includes SmartHO™ Home and SmartHO™ Service compatibility.

# 1. SPECIFICATIONS

## Mid-Static Ducted Indoor



	US07MB2BEA	US09MB2BEA	US12MB2BEA	US18MB2BEA	US24MB2BEA
Rated Cooling Capacity Btu/hr	7,000	9,000	12,000	18,000	24,000
Voltage, Cycle, Phase V/Hz/Phase	208-230/60/1	208-230/60/1	208-230/60/1	208-230/60/1	208-230/60/1
Fan Speed Stages	5 + Auto	5 + Auto	5 + Auto	5 + Auto	5 + Auto
Motor Speed RPM: Cooling (Turbo/High/Med/Low/Quiet)	830/780/700/640/560	880/800/720/640/560	950/870/780/680/600	880/820/760/700/640	1070/1030/880/790/740
Motor Speed RPM: Heating (Turbo/High/Med/Low/Quiet)	830/780/700/640/560	880/800/720/640/560	950/870/780/680/600	880/820/760/700/640	1070/1030/880/790/740
Airflow CFM: Cooling (Turbo/High/Med/Low/Quiet)	335/272/190/150/141	353/286/200/150/141	409/350/308/158/148	620/517/332/214/203	927/844/667/564/482
Airflow CFM: Heating (Turbo/High/Med/Low/Quiet)	335/272/190/150/141	358/292/208/155/145	412/355/311/163/152	627/523/337/217/205	927/844/667/564/482
Indoor Sound Level dB: Cooling (Turbo/High/Med/Low/Quiet)	42/39/37/35/32	44/41/38/35/32	47/44/41/38/35	48/45/42/39/36	47/46/41/38/37
Indoor Sound Level dB: Heating (Turbo/High/Med/Low/Quiet)	42/39/37/35/32	44/41/38/35/32	47/44/41/38/35	48/45/42/39/36	46/45/40/38/36
Dimension: HxWxD in (mm)	9 3/4 x 31 3/4 x 27 1/2 (248 x 805 x 700)	9 3/4 x 31 3/4 x 27 1/2 (248 x 805 x 700)	9 3/4 x 31 3/4 x 27 1/2 (248 x 805 x 700)	9 3/4 x 47 1/2 x 27 1/2 (248 x 1207 x 700)	9 3/4 x 47 1/2 x 27 1/2 (248 x 1207 x 700)
Weight (Net/Ship) - lbs (kg)	62.17/86.86 (28.2/39.4)	62.17/86.86 (28.2/39.4)	62.17/86.86 (28.2/39.4)	87.74/123.46 (39.8/56)	87.74/123.46 (39.8/56)
Max. External Static Pressure in.WG (Pa)	0.6 (150)	0.6 (150)	0.6 (150)	0.6 (150)	0.6 (150)
Liquid Pipe O.D. (in)	1/4	1/4	1/4	1/4	3/8
Suction Pipe O.D. (in)	3/8	3/8	3/8	1/2	5/8
Drainpipe Size	1*	1*	1*	1*	1*
Condensate Pump Built-In	Yes	Yes	Yes	Yes	Yes
Max. Drain-Lift Height in(mm)	27 1/2 (700)	27 1/2 (700)	27 1/2 (700)	27 1/2 (700)	27 1/2 (700)
WiFi**	Built-in	Built-in	Built-in	Built-in	Built-in
Factory-Installed Refrigerant Detection Sensor (RDS)	Yes	Yes	Yes	Yes	Yes

\*Condensate drain adapter shipped with the indoor unit is designed to accept a 3/4" PVC pipe.

\*\*WiFi includes SmartHO™ Home and SmartHO™ Service compatibility.

## 2.1 General

### (2.1.1) Description

- A. The Haier FlexFit Multi heat pump air conditioner shall be a variable capacity, mini-split type system comprised of a single outdoor and up to four indoor units.
- B. The Haier Arctic Multi heat pump air conditioner shall be a variable capacity, mini-split type system comprised of a single outdoor and up to five indoor units.
- C. The FlexFit & Arctic Multi heat pump air conditioner shall be only compatible with R454B indoor unit. See combination chart for matching indoor capacity types with an outdoor system.

### (2.1.2) Toxicity

- A. The heat pump system shall participate in RoHS compliance and listed in the directory.

## 2.2 Installation Requirements

### (2.2.1) Lineset

- A. The connecting refrigerant lines between the indoor and outdoor units are to be supplied by the installer.
- B. The tubing must be annealed ACR-type copper, meeting ASTM B280 standards.
- C. The connecting tubing between the outdoor and indoor units shall be continuous in all possible situations.
- D. The tubing ends must be reamed inside and out, and must be flared using a 45° flaring tool approved for R454B.
- E. Connections to the indoor and outdoor units shall be made with flare nuts that are supplied with the individual units.
- F. The flare nuts must be attached to indoor and outdoor units using a torque wrench and back-up wrench.

Pipe Size	Torque	A (inch)	Flare Shape
1/4	12 lb/ft 16.3 Nm	0.327-0.343	
3/8	27 lb/ft 36.6 Nm	0.472-0.488	
1/2	40 lb/ft 54.2 Nm	0.488-0.654	
5/8	50 lb/ft 67.8 Nm	0.732-0.748	
3/4	80 lb/ft 108.5 Nm	0.902-0.917	

- G. Each tube must be insulated with a minimum of 1/2 inch (12.7mm) closed-foam insulation that is UV resistant and meets ASTM Standard E84 25/50 flame spread/smoke development.
- H. The lineset between the indoor and outdoor must not exceed the listed maximum length and maximum height difference. (See section 1. **Specifications**, outdoor units).

## 2.3 Electrical Requirements

### (2.3.1) Electrical Supply

- A. The operating electrical requirements shall be 208/230 volts AC, single-phase, 60 hertz. Voltage supplied to the outdoor unit must be between 187-253 volts.
- B. Power supply must be installed in accordance to local building and electrical code.

### (2.3.2) Connecting Wire to Indoor

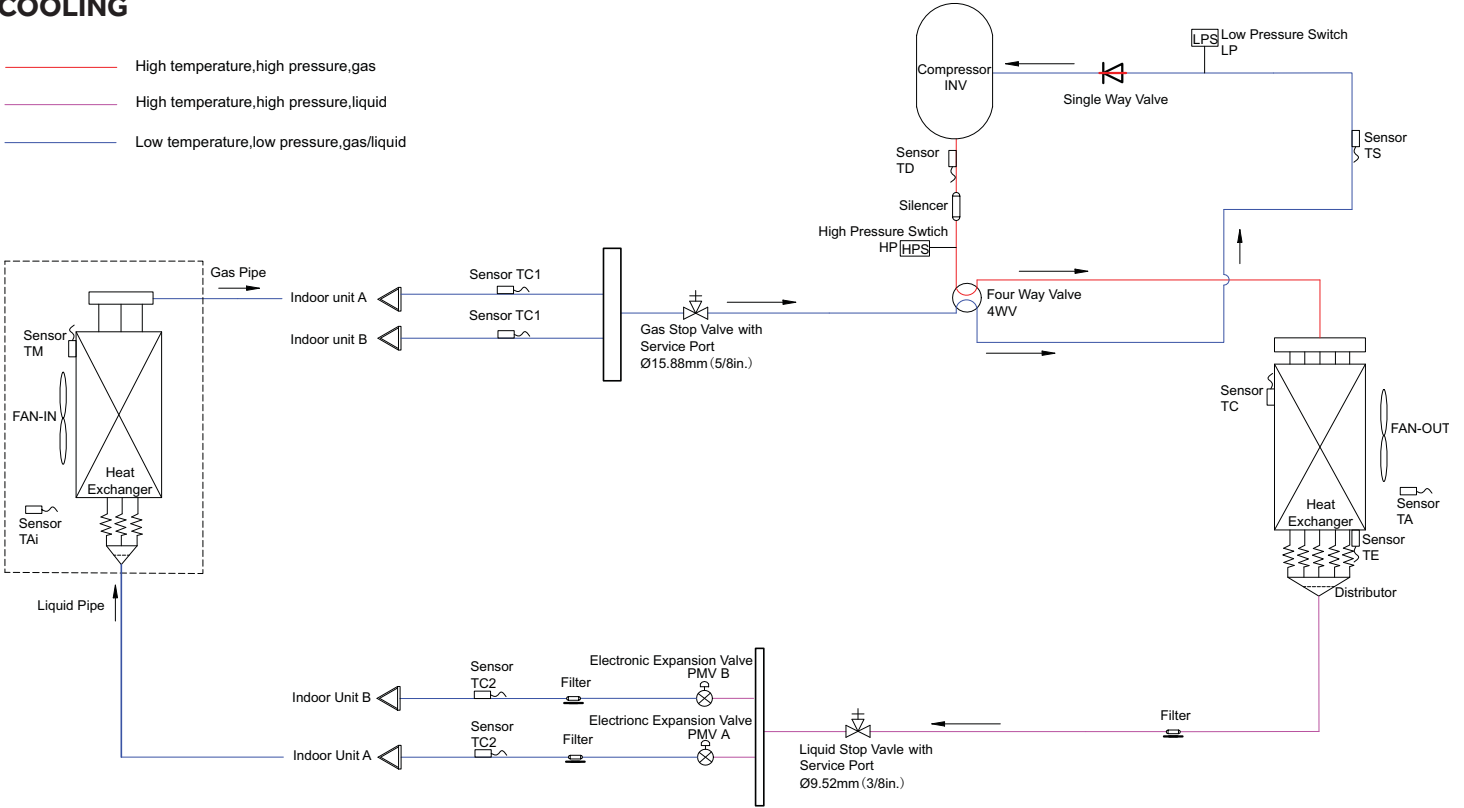
- C. Connecting cable between the indoor unit(s) must be made with 4 conductor - 14 AWG stranded copper wire.
- D. Connecting wire must be continuous (without break) unless local code requires power disconnect next to indoor unit.

## 2.4 Refrigerant System Diagrams

### 2G18AD2BEA

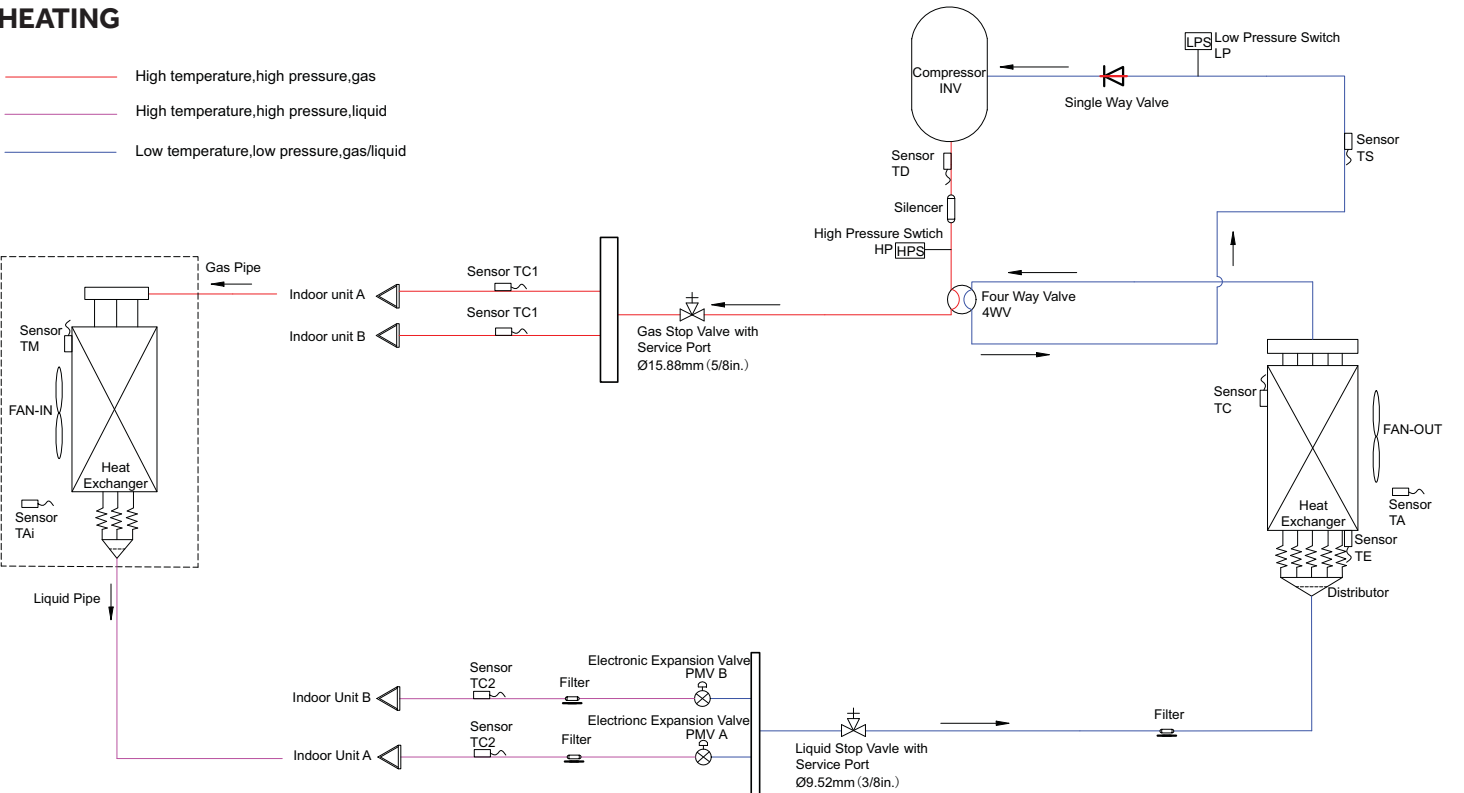
#### COOLING

- High temperature,high pressure,gas
- High temperature,high pressure,liquid
- Low temperature,low pressure,gas/liquid



#### HEATING

- High temperature,high pressure,gas
- High temperature,high pressure,liquid
- Low temperature,low pressure,gas/liquid

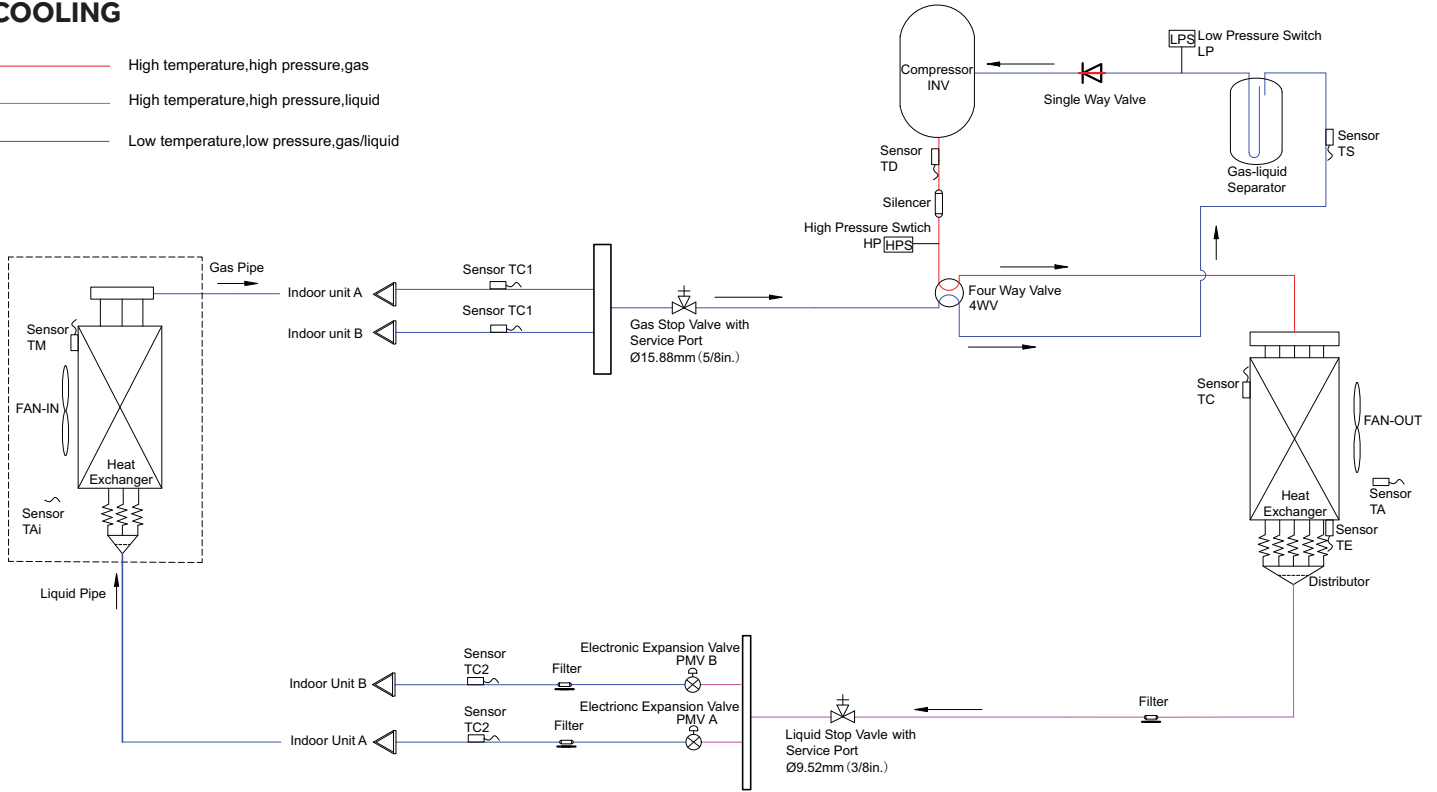


# 2. SYSTEM

## 2G20ED2BEA

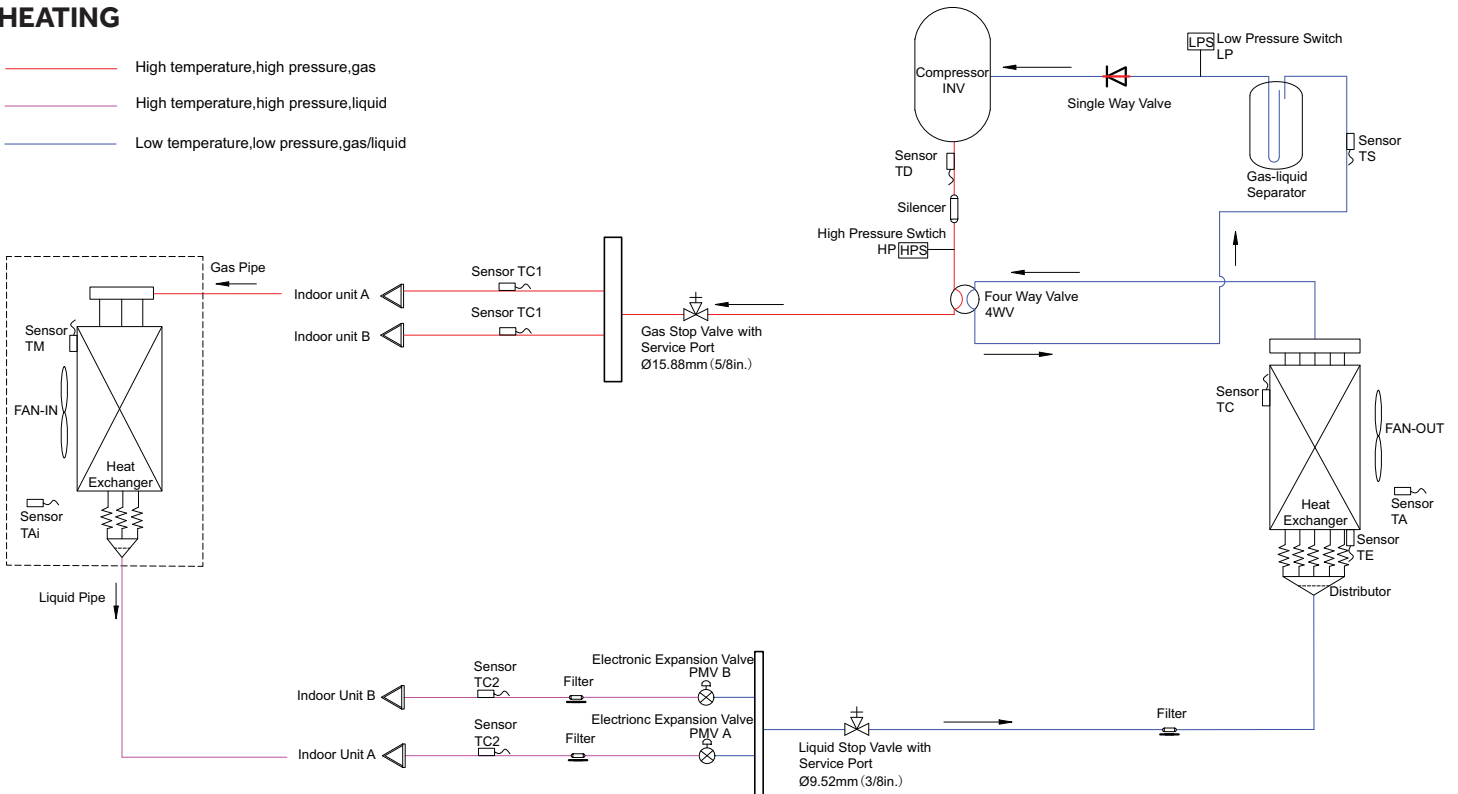
### COOLING

- High temperature,high pressure,gas
- High temperature,high pressure,liquid
- Low temperature,low pressure,gas/liquid



### HEATING

- High temperature,high pressure,gas
- High temperature,high pressure,liquid
- Low temperature,low pressure,gas/liquid

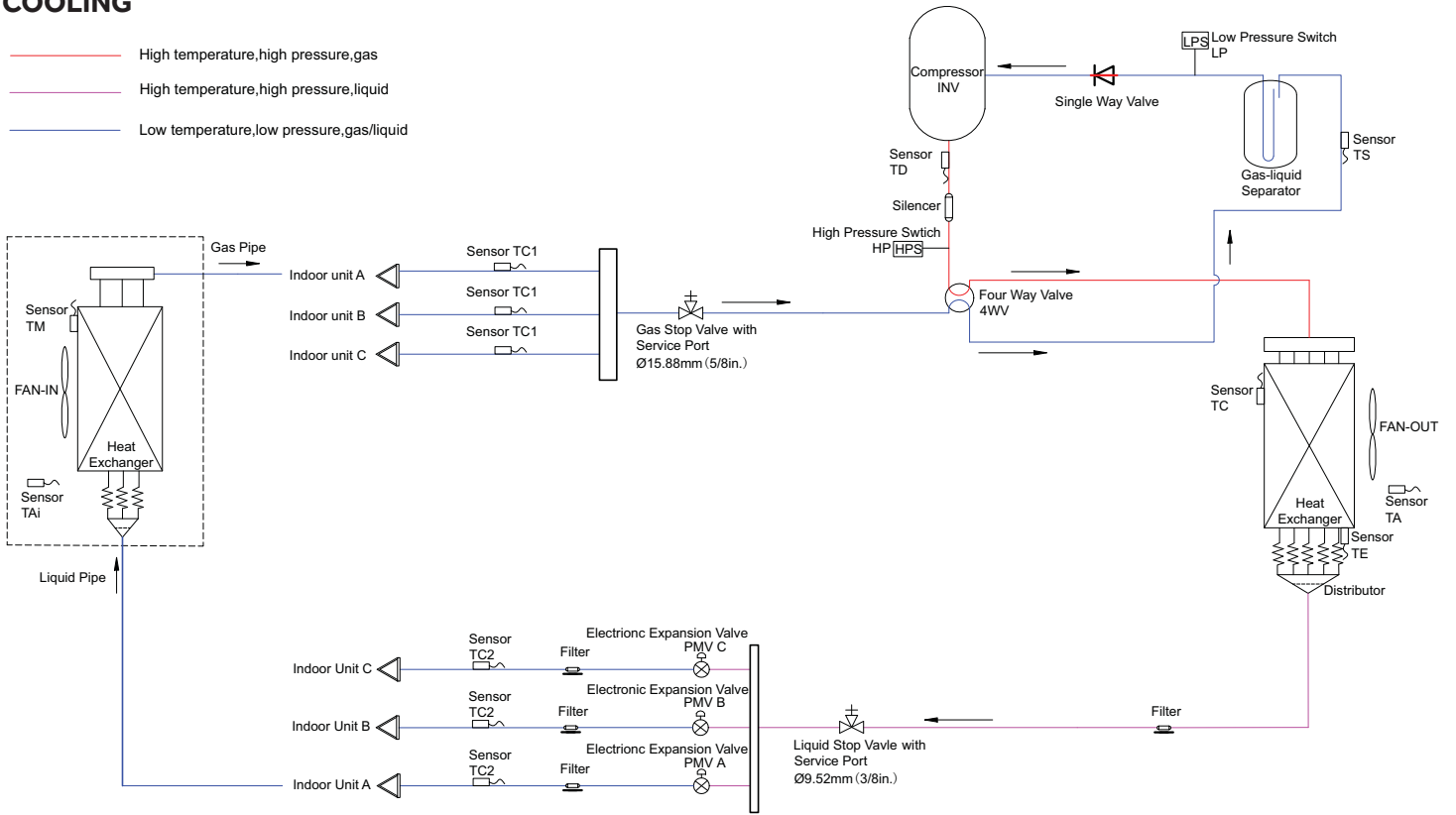


# 2. SYSTEM

3G24\*\*\*\*\*

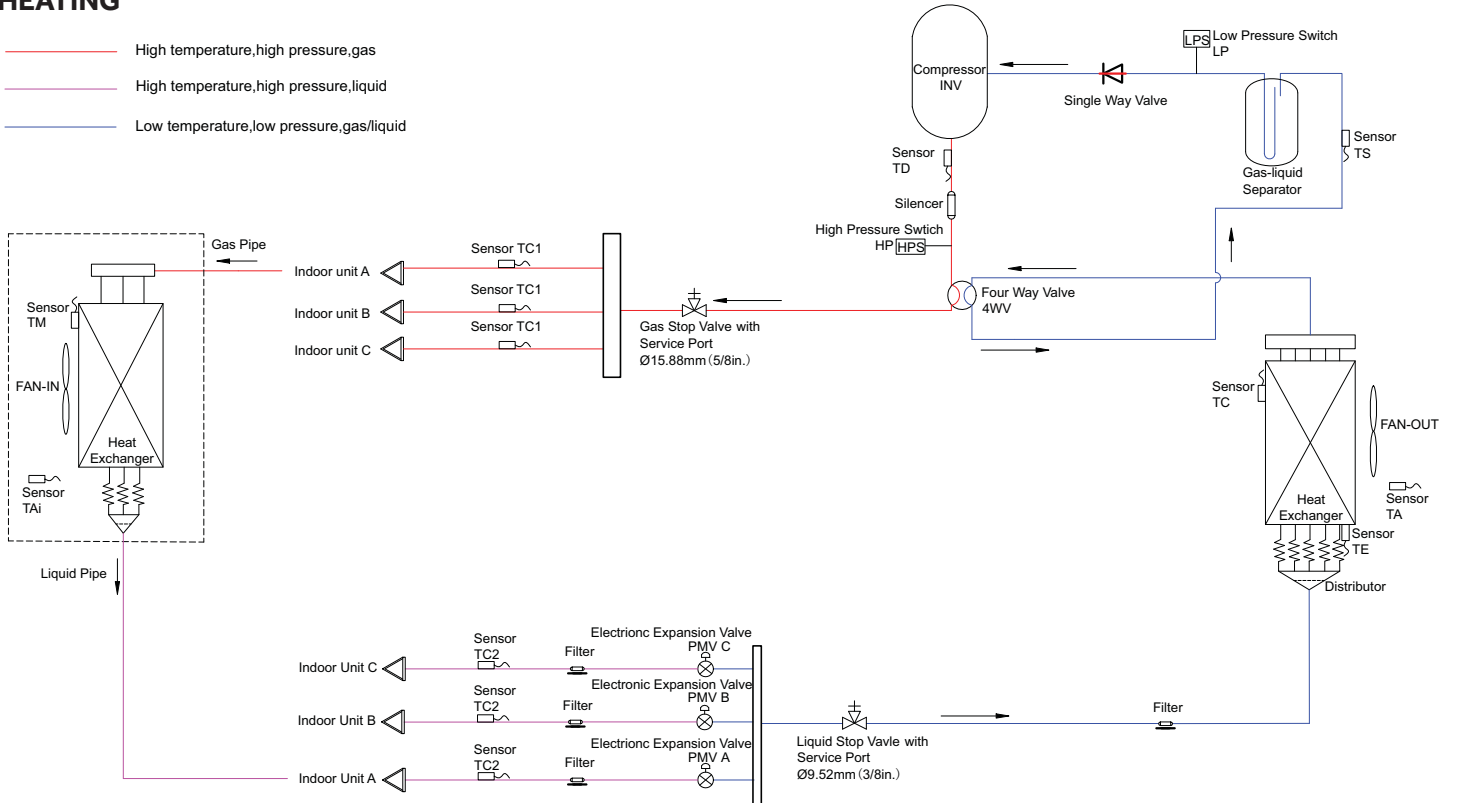
## COOLING

- High temperature, high pressure, gas
- High temperature, high pressure, liquid
- Low temperature, low pressure, gas/liquid



## HEATING

- High temperature, high pressure, gas
- High temperature, high pressure, liquid
- Low temperature, low pressure, gas/liquid

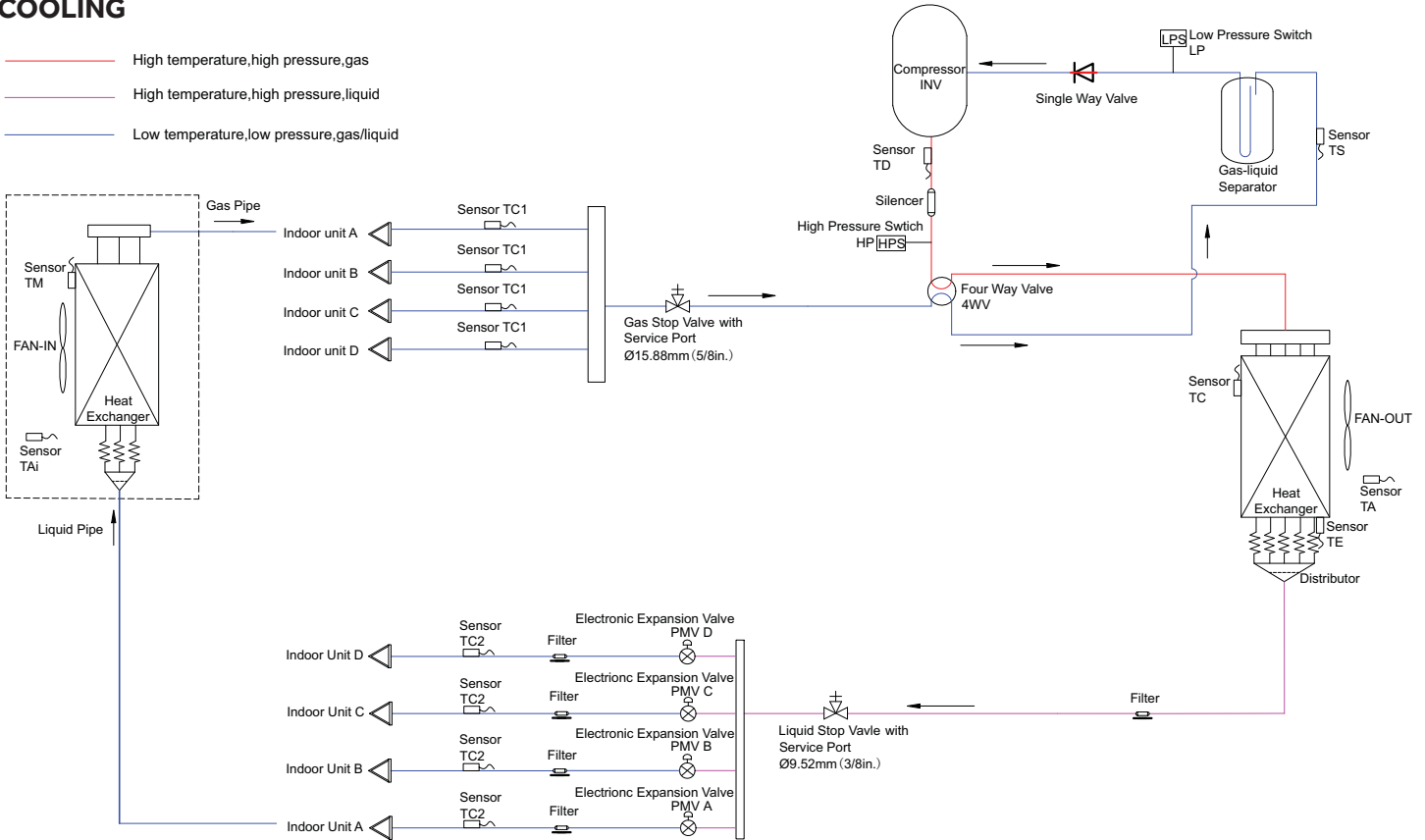


# 2. SYSTEM

4G36\*\*\*\*\*

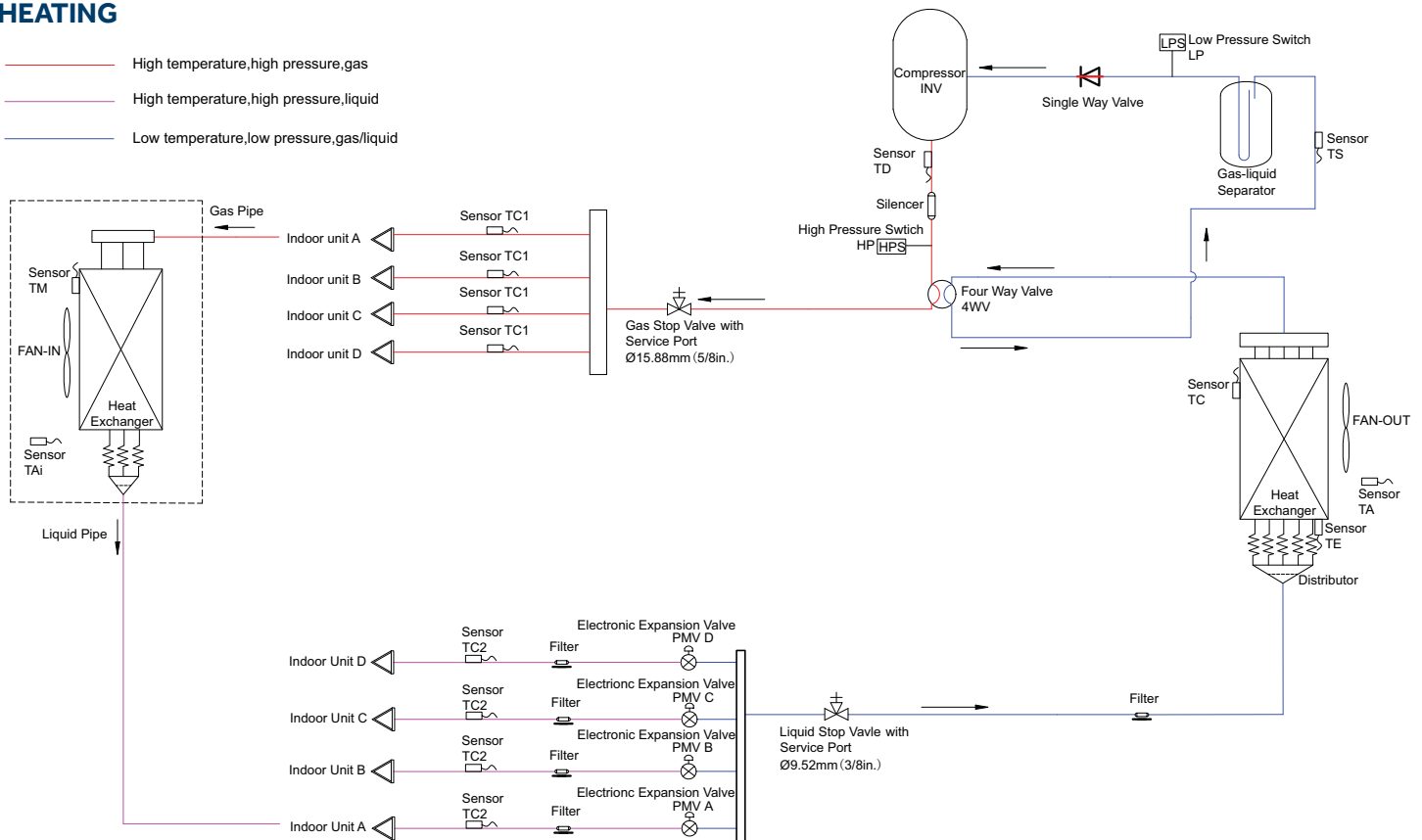
## COOLING

- High temperature, high pressure, gas
- High temperature, high pressure, liquid
- Low temperature, low pressure, gas/liquid



## HEATING

- High temperature, high pressure, gas
- High temperature, high pressure, liquid
- Low temperature, low pressure, gas/liquid

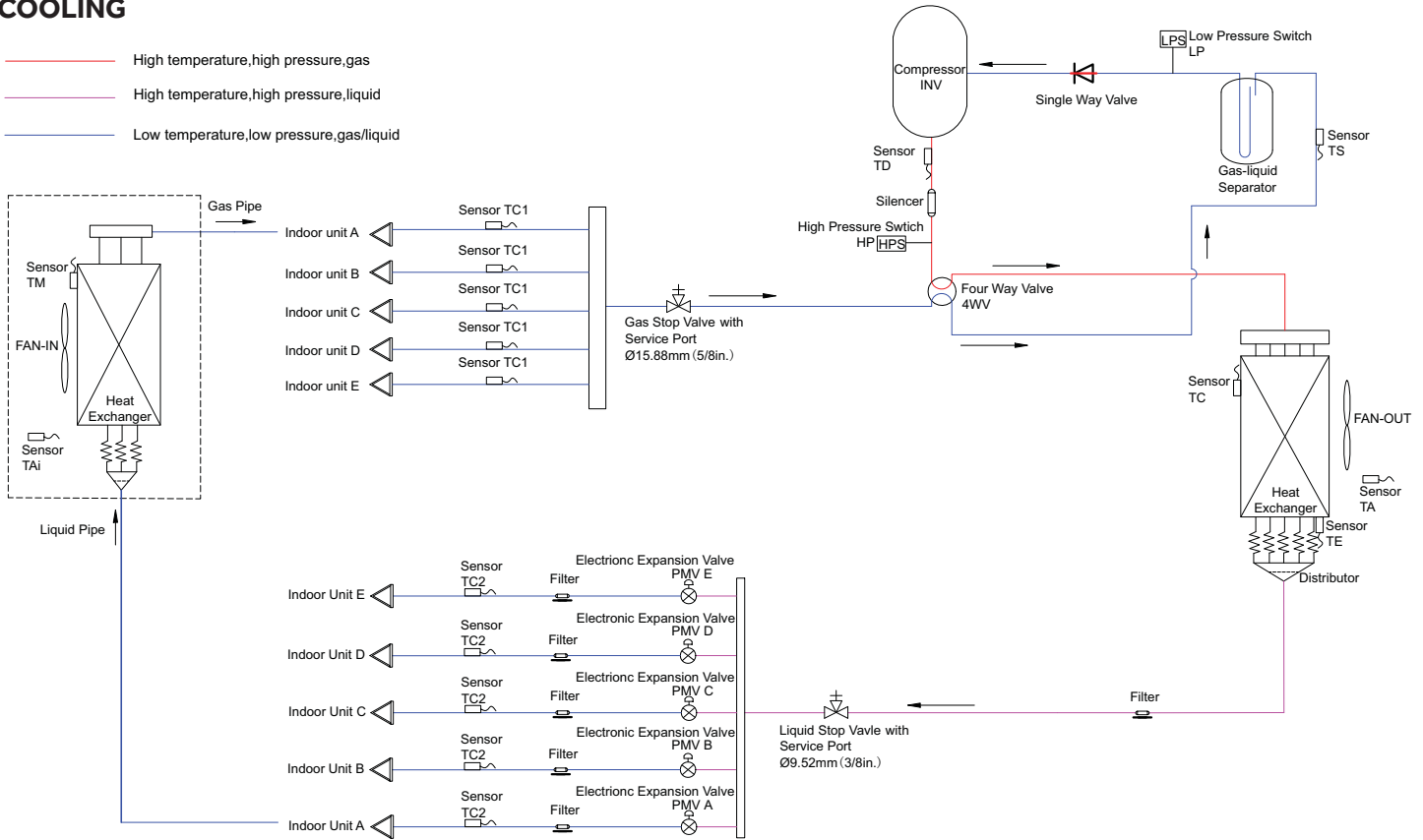


# 2. SYSTEM

## 5G42ED2BEA

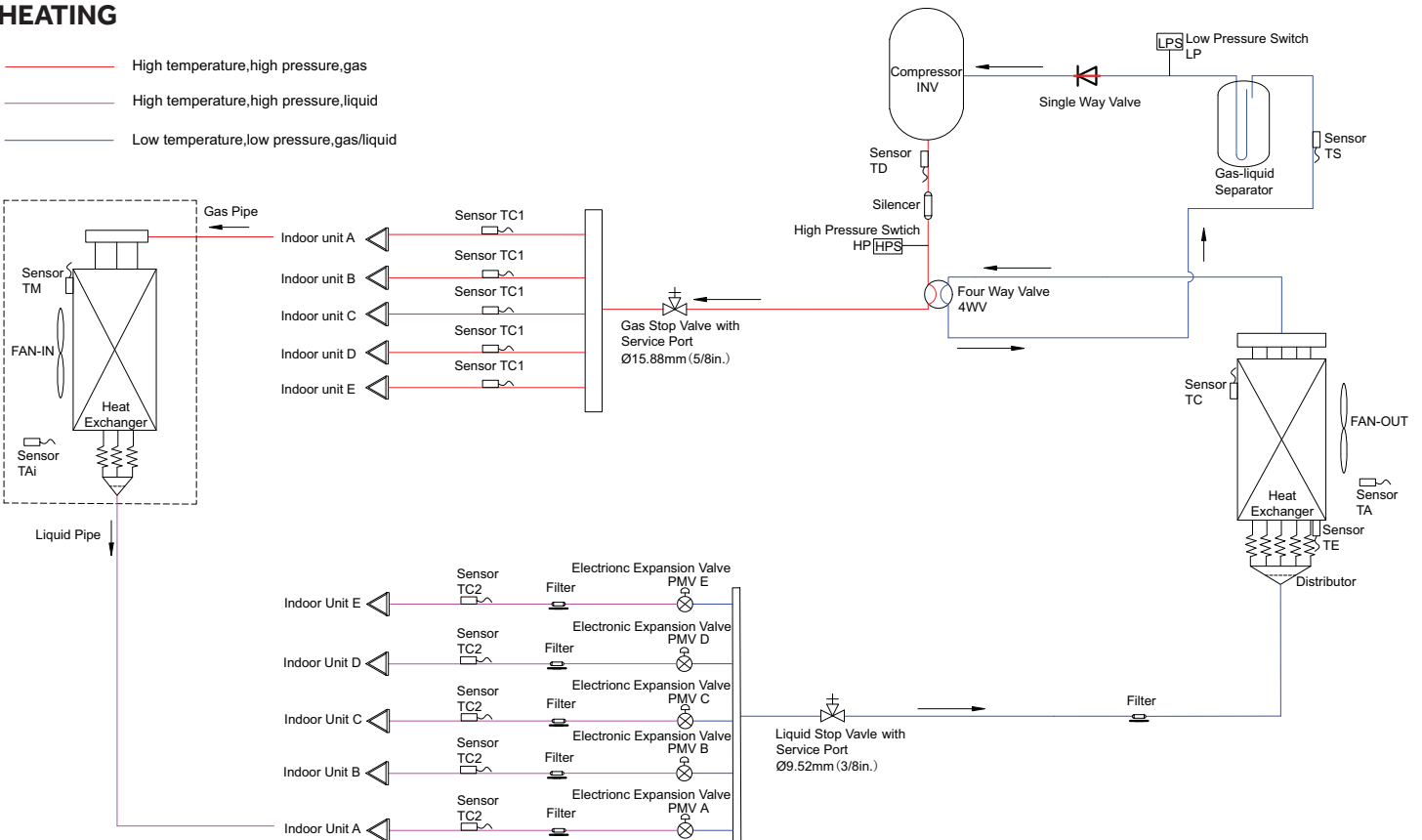
### COOLING

- High temperature, high pressure, gas
- High temperature, high pressure, liquid
- Low temperature, low pressure, gas/liquid



### HEATING

- High temperature, high pressure, gas
- High temperature, high pressure, liquid
- Low temperature, low pressure, gas/liquid



## 2.5 Piping Adapter Guide

### Lineset Adapters

		Part #
A	1/4" to 3/8" (Liquid line for ports C & D)	WJ01X35713
B	3/8" to 5/8" (Vapor line for port C)	WJ01X35714
C	1/2" to 5/8" (Vapor line for port D)	WJ01X35715
D	3/8" to 1/2" (Vapor line for port C)	WJ01X35716
E	1/2" to 3/8" (Vapor line for port C or D)	WJ01X35717

These 24K models require 3/8" liquid and 5/8" vapor linesets  
US24LB2BE\*\*, US24MB2BE\*\*

These 24K models require 1/4" liquid and 1/2" vapor linesets  
Q/GS24WB2B\*\*, Q/GS24WP2B\*\*

All 18K models require 1/4" liquid and 1/2" vapor linesets.

All 7K, 9K, 12K and 15K models require 1/4" liquid and 3/8" vapor linesets.

### 2G18AD2BEA

### 2G20ED2BEA

- No adapters required/shipped

	Combinations	
	Port B	Port A
	Port Size: 1/4" x 3/8"	Port Size: 1/4" x 3/8"
Two Zone	7K	7K
	9K	7K
	9K	9K
	12K	7K
	12K	9K
	12K	12K
	15K	7K
	15K	9K

### 3G24\*\*\*\*\*

- Ships with adapter D
- No adapters required for Ports B, A

	Combinations			
	Port C		Port B	Port A
	Port Size: 1/4" x 3/8"	Required Adapter	Port Size: 1/4" x 3/8"	Port Size: 1/4" x 3/8"
Two Zone	7K	-	7K	-
	9K	-	7K	-
	9K	-	9K	-
	12K	-	7K	-
	12K	-	9K	-
	12K	-	12K	-
	15K	-	7K	-
	15K	-	9K	-
	15K	-	12K	-
	15K	-	15K	-
	18K	D	7K	-
	18K	D	9K	-
	18K	D	12K	-
	24K	A,B,D	7K	-
24K	A,B,D	9K	-	
Three Zone	7K	-	7K	7K
	9K	-	7K	7K
	9K	-	9K	7K
	9K	-	9K	9K
	12K	-	7K	7K
	12K	-	9K	7K
	12K	-	9K	9K
	12K	-	12K	7K
	12K	-	12K	9K
	15K	-	7K	7K
	15K	-	9K	7K
	15K	-	9K	9K
	15K	-	9K	9K
	18K	D	7K	7K

### 4G36\*\*\*\*\*

- Ships with adapters D and E
- No adapters required for Ports B, A

	Combinations						
	Port D		Port C		Port B	Port A	
	Port Size: 1/4" x 1/2"	Required Adapter	Port Size: 1/4" x 3/8"	Required Adapter	Port Size: 1/4" x 3/8"	Port Size: 1/4" x 3/8"	
Two Zone	18K	-	9K	-	-	-	
	18K	-	12K	-	-	-	
	18K	-	15K	-	-	-	
	18K	-	18K	D	-	-	
	18K	-	24K	A, B, D	-	-	
	24K	A, C	7K	-	-	-	
	24K	A, C	9K	-	-	-	
	24K	A, C	12K	-	-	-	
	24K	A, C	15K	-	-	-	
	24K	A, C	24K	A, B, D	-	-	
	Three Zone	-	-	9K	-	9K	9K
		-	-	12K	-	9K	7K
		-	-	12K	-	9K	9K
		-	-	12K	-	12K	7K
-		-	12K	-	12K	9K	
-		-	12K	-	12K	12K	
-		-	15K	-	7K	7K	
-		-	15K	-	9K	7K	
-		-	15K	-	12K	7K	
-		-	15K	-	9K	9K	
-		-	15K	-	12K	9K	
-		-	15K	-	15K	9K	
-		-	15K	-	12K	12K	
-		-	15K	-	15K	12K	
-		-	15K	-	15K	15K	
18K		-	7K	-	7K	-	
18K		-	9K	-	7K	-	
18K		-	9K	-	9K	-	
18K		-	12K	-	7K	-	
18K		-	12K	-	9K	-	
18K		-	15K	-	7K	-	
18K		-	15K	-	9K	-	
18K		-	15K	-	12K	-	
18K		-	18K	D	7K	-	
18K		-	18K	D	9K	-	
18K		-	18K	D	12K	-	
24K		A, C	7K	-	7K	-	
24K		A, C	9K	-	7K	-	
24K		A, C	9K	-	9K	-	
24K		A, C	12K	-	7K	-	
24K		A, C	12K	-	9K	-	
24K		A, C	12K	-	12K	-	
24K		A, C	15K	-	7K	-	
24K		A, C	15K	-	9K	-	
Four Zone	7K	E	7K	-	7K	7K	
	9K	E	7K	-	7K	7K	
	9K	E	9K	-	7K	7K	
	9K	E	9K	-	9K	7K	
	9K	E	9K	-	9K	9K	
	12K	E	7K	-	7K	7K	
	12K	E	9K	-	7K	7K	
	12K	E	9K	-	9K	7K	
	12K	E	9K	-	9K	9K	
	12K	E	12K	-	7K	7K	
	12K	E	12K	-	9K	7K	
	12K	E	12K	-	9K	9K	
	12K	E	12K	-	12K	7K	
	12K	E	12K	-	12K	9K	
	12K	E	12K	-	12K	12K	
	15K	E	7K	-	7K	7K	
	15K	E	9K	-	7K	7K	
	15K	E	9K	-	9K	7K	
	15K	E	9K	-	9K	9K	
	15K	E	12K	-	12K	7K	
	15K	E	12K	-	12K	9K	
	15K	E	15K	-	7K	7K	
	15K	E	15K	-	9K	7K	
	15K	E	15K	-	9K	9K	
	18K	-	7K	-	7K	7K	
	18K	-	9K	-	7K	7K	
	18K	-	9K	-	9K	7K	
	18K	-	9K	-	9K	9K	
18K	-	12K	-	7K	7K		
18K	-	12K	-	9K	7K		
18K	-	12K	-	9K	9K		
24K	A, C	7K	-	7K	7K		
24K	A, C	9K	-	7K	7K		



# 2. SYSTEM

## 2.6 Combination Tables

### 2G18AD2BEA

#### Ducted

Comb.	Combinations			Total Cooling Capacity (Kbtu)	Capacity Indoor Percent (%)			Total Heating Capacity (Kbtu)	Capacity Indoor Percent (%)		
	Unit A	Unit B	Unit C		Unit A	Unit B	Unit C		Unit A	Unit B	Unit C
Two Zone	7	7	—	15.9	50	50	—	17.8	50	50	—
	7	9	—	16.2	43	57	—	18.4	43	57	—
	7	12	—	16.9	33	67	—	18.7	33	67	—
	9	9	—	17	50	50	—	19	50	50	—
	9	12	—	17.3	43	57	—	19.5	43	57	—
	12	12	—	17.7	50	50	—	20.3	50	50	—
	7	15	—	17.5	32	68	—	20	32	68	—
	9	15	—	17.7	38	62	—	20.3	38	62	—

#### Non-Ducted

Comb.	Combinations			Total Cooling Capacity (Kbtu)	Capacity Indoor Percent (%)			Total Heating Capacity (Kbtu)	Capacity Indoor Percent (%)		
	Unit A	Unit B	Unit C		Unit A	Unit B	Unit C		Unit A	Unit B	Unit C
Two Zone	7	7	—	16.9	50	50	—	19.8	50	50	—
	7	9	—	17.2	43	57	—	20.4	43	57	—
	7	12	—	17.9	33	67	—	20.7	33	67	—
	9	9	—	18	50	50	—	21	50	50	—
	9	12	—	18.3	43	57	—	21.5	43	57	—
	12	12	—	18.7	50	50	—	22.3	50	50	—
	7	15	—	18.5	32	68	—	22	32	68	—
	9	15	—	18.7	38	62	—	22.3	38	62	—

### 2G20ED2BEA

#### Ducted

Comb.	Combinations			Total Cooling Capacity (Kbtu)	Capacity Indoor Percent (%)			Total Heating Capacity (Kbtu)	Capacity Indoor Percent (%)		
	Unit A	Unit B	Unit C		Unit A	Unit B	Unit C		Unit A	Unit B	Unit C
Two Zone	7	7	—	15.9	50	50	—	21.3	50	50	—
	7	9	—	16.2	43	57	—	21.6	43	57	—
	7	12	—	16.9	33	67	—	21.9	33	67	—
	9	9	—	17.0	50	50	—	22.0	50	50	—
	9	12	—	17.3	43	57	—	22.4	43	57	—
	12	12	—	17.7	50	50	—	22.8	50	50	—
	7	15	—	17.6	32	68	—	22.7	32	68	—
	9	15	—	17.8	38	62	—	24.0	38	62	—

#### Non-Ducted

Comb.	Combinations			Total Cooling Capacity (Kbtu)	Capacity Indoor Percent (%)			Total Heating Capacity (Kbtu)	Capacity Indoor Percent (%)		
	Unit A	Unit B	Unit C		Unit A	Unit B	Unit C		Unit A	Unit B	Unit C
Two Zone	7	7	—	16.9	50	50	—	21.3	50	50	—
	7	9	—	17.2	43	57	—	21.6	43	57	—
	7	12	—	17.9	33	67	—	21.9	33	67	—
	9	9	—	18.0	50	50	—	22.0	50	50	—
	9	12	—	18.3	43	57	—	22.4	43	57	—
	12	12	—	18.7	50	50	—	22.8	50	50	—
	7	15	—	18.6	32	68	—	22.7	32	68	—
	9	15	—	18.8	38	62	—	24.0	38	62	—

# 2. SYSTEM

## 3G24AD2BEA

### Ducted

Comb.	Combinations			Total Cooling Capacity (Kbtu)	Capacity Indoor Percent (%)			Total Heating Capacity (Kbtu)	Capacity Indoor Percent (%)		
	Unit A	Unit B	Unit C		Unit A	Unit B	Unit C		Unit A	Unit B	Unit C
Two Zone	7	7	—	15.8	50	50	—	16.7	50	50	—
	7	9	—	17.1	43	57	—	17.3	43	57	—
	7	12	—	19.1	36	64	—	18.1	36	64	—
	9	9	—	18.2	50	50	—	18.5	50	50	—
	9	12	—	21.9	43	57	—	19.3	43	57	—
	12	12	—	22.4	50	50	—	19.4	50	50	—
	7	15	—	22.2	32	68	—	19.2	32	68	—
	9	15	—	22.5	38	62	—	19.5	38	62	—
	12	15	—	22.7	44	56	—	19.8	44	56	—
	15	15	—	23	50	50	—	20.2	50	50	—
	7	18	—	22.6	28	72	—	19.9	28	72	—
	9	18	—	22.8	33	67	—	20	33	67	—
	12	18	—	23	40	60	—	20.4	40	60	—
7	24	—	23.2	23	77	—	20.7	23	77	—	
9	24	—	23.5	27	73	—	21	27	73	—	
Three Zone	7	7	7	21.9	33	33	33	22.8	33	33	33
	7	7	9	23.4	30	30	40	24.2	30	30	40
	7	7	12	23.8	26	26	48	24.8	26	26	48
	7	9	9	24	28	36	36	25	28	36	36
	7	9	12	24.2	25	32	43	25.6	25	32	43
	9	9	9	24.2	33	33	33	26.2	33	33	33
	9	9	12	24.3	30	30	40	26.4	30	30	40
	7	12	12	24.4	22	39	39	26.4	22	39	39
	9	12	12	24.6	28	36	36	26.6	28	36	36
	7	7	15	24.3	24	24	52	26.2	24	24	52
	7	9	15	24.5	23	29	48	26.5	23	29	48
	9	9	15	24.8	27	27	46	26.8	27	27	46
	7	7	18	24.8	22	22	56	26.8	22	22	56

### Non-Ducted

Comb.	Combinations			Total Cooling Capacity (Kbtu)	Capacity Indoor Percent (%)			Total Heating Capacity (Kbtu)	Capacity Indoor Percent (%)		
	Unit A	Unit B	Unit C		Unit A	Unit B	Unit C		Unit A	Unit B	Unit C
Two Zone	7	7	—	15.8	50	50	—	18.5	50	50	—
	7	9	—	17.1	43	57	—	19.3	43	57	—
	7	12	—	19.1	36	64	—	20.1	36	64	—
	9	9	—	18.2	50	50	—	20.5	50	50	—
	9	12	—	21.9	43	57	—	21.3	43	57	—
	12	12	—	22.4	50	50	—	21.4	50	50	—
	7	15	—	22.2	32	68	—	21.2	32	68	—
	9	15	—	22.5	38	62	—	21.5	38	62	—
	12	15	—	22.7	44	56	—	21.8	44	56	—
	15	15	—	23	50	50	—	22.2	50	50	—
	7	18	—	22.6	28	72	—	21.9	28	72	—
	9	18	—	22.8	33	67	—	22	33	67	—
	12	18	—	23	40	60	—	22.4	40	60	—
7	24	—	23.2	23	77	—	22.7	23	77	—	
9	24	—	23.5	27	73	—	23	27	73	—	
Three Zone	7	7	7	21.9	33	33	33	24.8	33	33	33
	7	7	9	23.4	30	30	40	26.2	30	30	40
	7	7	12	23.8	26	26	48	26.8	26	26	48
	7	9	9	24	28	36	36	27	28	36	36
	7	9	12	24.2	25	32	43	27.6	25	32	43
	9	9	9	24.2	33	33	33	28.2	33	33	33
	9	9	12	24.3	30	30	40	28.4	30	30	40
	7	12	12	24.4	22	39	39	28.4	22	39	39
	9	12	12	24.6	28	36	36	28.6	28	36	36
	7	7	15	24.2	24	24	52	28.2	24	24	52
	7	9	15	24.5	23	29	48	28.5	23	29	48
	9	9	15	24.8	27	27	46	28.8	27	27	46
	7	7	18	24.7	22	22	56	28.6	22	22	56

# 2. SYSTEM

## 3G24ED2BEA

ENGLISH

### Ducted

Comb.	Combinations			Total Cooling Capacity (Kbtu)	Capacity Indoor Percent (%)			Total Heating Capacity (Kbtu)	Capacity Indoor Percent (%)		
	Unit A	Unit B	Unit C		Unit A	Unit B	Unit C		Unit A	Unit B	Unit C
Two Zone	7	7	—	15.7	50	50	—	19.3	50	50	—
	7	9	—	16.8	43	57	—	20.4	43	57	—
	7	12	—	19.1	33	67	—	21.2	33	67	—
	9	9	—	18.2	50	50	—	21.6	50	50	—
	9	12	—	21.8	43	57	—	22.3	43	57	—
	12	12	—	22.3	50	50	—	22.8	50	50	—
	7	15	—	22.2	32	68	—	22.2	32	68	—
	9	15	—	22.5	38	62	—	22.5	38	62	—
	12	15	—	22.7	44	56	—	22.8	44	56	—
	15	15	—	23.0	50	50	—	23.2	50	50	—
	7	18	—	22.4	28	72	—	23.3	28	72	—
	9	18	—	22.7	33	67	—	23.4	33	67	—
	12	18	—	22.9	40	60	—	23.8	40	60	—
	7	24	—	23.2	23	77	—	23.7	23	77	—
9	24	—	23.5	27	73	—	24.0	27	73	—	
Three Zone	7	7	7	22.0	33	33	33	23.8	33	33	33
	7	7	9	23.4	30	30	40	25.2	30	30	40
	7	7	12	23.9	26	26	48	25.8	26	26	48
	7	9	9	24.0	28	36	36	26.0	28	36	36
	7	9	12	24.1	25	32	43	26.8	25	32	43
	9	9	9	24.2	33	33	33	27.2	33	33	33
	9	9	12	24.4	30	30	40	28.0	30	30	40
	7	12	12	24.5	22	39	39	28.2	22	39	39
	9	12	12	24.6	28	36	36	28.3	28	36	36
	7	7	15	24.2	24	24	52	28.1	24	24	52
	7	9	15	24.4	23	29	48	28.3	23	29	48
	9	9	15	24.6	27	27	46	28.5	27	27	46
	7	7	18	24.6	22	22	56	28.5	22	22	56

### Non-Ducted

Comb.	Combinations			Total Cooling Capacity (Kbtu)	Capacity Indoor Percent (%)			Total Heating Capacity (Kbtu)	Capacity Indoor Percent (%)		
	Unit A	Unit B	Unit C		Unit A	Unit B	Unit C		Unit A	Unit B	Unit C
Two Zone	7	7	—	15.7	50	50	—	18.9	50	50	—
	7	9	—	16.8	43	57	—	19.7	43	57	—
	7	12	—	19.1	33	67	—	20.5	33	67	—
	9	9	—	18.2	50	50	—	20.9	50	50	—
	9	12	—	21.8	43	57	—	21.8	43	57	—
	12	12	—	22.3	50	50	—	21.8	50	50	—
	7	15	—	22.2	32	68	—	21.2	32	68	—
	9	15	—	22.5	38	62	—	21.5	38	62	—
	12	15	—	22.7	44	56	—	21.8	44	56	—
	15	15	—	23.0	50	50	—	22.2	50	50	—
	7	18	—	22.4	28	72	—	22.3	28	72	—
	9	18	—	22.7	33	67	—	22.4	33	67	—
	12	18	—	22.9	40	60	—	22.8	40	60	—
	7	24	—	23.2	23	77	—	22.7	23	77	—
9	24	—	23.5	27	73	—	23.0	27	73	—	
Three Zone	7	7	7	22.0	33	33	33	22.8	33	33	33
	7	7	9	23.4	30	30	40	24.2	30	30	40
	7	7	12	23.9	26	26	48	24.8	26	26	48
	7	9	9	24.0	28	36	36	25.0	28	36	36
	7	9	12	24.1	25	32	43	25.8	25	32	43
	9	9	9	24.2	33	33	33	26.2	33	33	33
	9	9	12	24.4	30	30	40	27.0	30	30	40
	7	12	12	24.5	22	39	39	27.2	22	39	39
	9	12	12	24.6	28	36	36	27.3	28	36	36
	7	7	15	24.2	24	24	52	27.1	24	24	52
	7	9	15	24.5	23	29	48	27.3	23	29	48
	9	9	15	24.7	27	27	46	27.5	27	27	46
	7	7	18	24.7	22	22	56	27.5	22	22	56

# 2. SYSTEM

## 4G36AD2BEA

### Ducted

Comb.	Combinations				Total Cooling Capacity (Kbtu)	Capacity Indoor Percent (%)				Total Heating Capacity (Kbtu)	Capacity Indoor Percent (%)			
	Unit A	Unit B	Unit C	Unit D		Unit A	Unit B	Unit C	Unit D		Unit A	Unit B	Unit C	Unit D
Two Zone	24	7	—	—	29.7	78	22	—	—	31.4	78	22	—	—
	18	9	—	—	28.9	72	28	—	—	31.2	72	28	—	—
	24	9	—	—	29.9	73	27	—	—	32.2	73	27	—	—
	18	12	—	—	30	60	40	—	—	32.3	60	40	—	—
	24	12	—	—	31.2	67	33	—	—	33.1	67	33	—	—
	18	15	—	—	30.8	45	55	—	—	32.8	45	55	—	—
	24	15	—	—	31.5	62	38	—	—	33.8	62	38	—	—
	18	18	—	—	31.3	50	50	—	—	33.6	50	50	—	—
	18	24	—	—	31.8	43	57	—	—	34.1	43	57	—	—
24	24	—	—	31.9	50	50	—	—	34.2	50	50	—	—	
Three Zone	9	9	9	—	30.4	33	33	33	—	32.4	33	33	33	—
	12	9	7	—	31.3	43	32	25	—	33.3	43	32	25	—
	12	9	9	—	31.7	40	30	30	—	33.7	40	30	30	—
	12	12	7	—	32.1	39	39	23	—	34.1	39	39	23	—
	12	12	9	—	32.5	36	36	27	—	34.5	36	36	27	—
	12	12	12	—	32.9	33	33	33	—	34.9	33	33	33	—
	15	7	7	—	33.1	52	24	24	—	35.1	52	24	24	—
	15	9	7	—	33.3	48	29	23	—	35.3	48	29	23	—
	15	12	7	—	33.5	44	35	21	—	35.5	44	35	21	—
	15	15	7	—	33.7	41	41	18	—	35.7	41	41	18	—
	15	9	9	—	33.9	46	27	27	—	35.9	46	27	27	—
	15	12	9	—	34.1	42	33	25	—	36.1	42	33	25	—
	15	15	9	—	34.3	38	38	24	—	36.3	38	38	24	—
	15	12	12	—	34.5	38	31	31	—	36.5	38	31	31	—
	15	15	12	—	34.7	36	36	29	—	36.7	36	36	29	—
	15	15	15	—	34.9	33	33	33	—	36.9	33	33	33	—
	18	7	7	—	32.7	56	22	22	—	34.7	56	22	22	—
	18	9	7	—	33.6	53	26	21	—	35.6	53	26	21	—
	18	9	9	—	33.6	50	25	25	—	35.6	50	25	25	—
	18	12	7	—	33.8	49	32	19	—	35.8	49	32	19	—
	18	12	9	—	34	46	31	23	—	36	46	31	23	—
	18	12	12	—	34.2	43	29	29	—	36.2	43	29	29	—
	18	15	7	—	33.9	45	38	18	—	35.9	45	38	18	—
	18	15	9	—	34.1	43	36	21	—	36.1	43	36	21	—
	18	15	12	—	34.3	40	33	27	—	36.3	40	33	27	—
	18	15	15	—	34.5	38	31	31	—	36.5	38	31	31	—
	18	18	7	—	34.6	42	42	16	—	36.6	42	42	16	—
	18	18	9	—	34.8	40	40	20	—	36.8	40	40	20	—
	18	18	12	—	35	38	38	25	—	37	38	38	25	—
	24	7	7	—	34	63	18	18	—	36	63	18	18	—
	24	9	7	—	34.2	60	23	18	—	36.2	60	23	18	—
	24	9	9	—	34.4	57	21	21	—	36.4	57	21	21	—
24	12	7	—	34.6	56	28	16	—	36.6	56	28	16	—	
24	12	9	—	34.8	53	27	20	—	36.8	53	27	20	—	
24	12	12	—	35	50	25	25	—	37	50	25	25	—	
24	15	7	—	34.9	52	33	15	—	36.9	52	33	15	—	
24	15	9	—	35.1	50	31	19	—	37.1	50	31	19	—	
Four Zone	7	7	7	7	30.4	25	25	25	25	32.8	25	25	25	25
	9	7	7	7	31.4	30	23	23	23	33.8	30	23	23	23
	9	9	7	7	32.4	28	28	22	22	34.8	28	28	22	22
	9	9	9	7	32.9	26	26	26	21	35.3	26	26	26	21
	9	9	9	9	33.4	25	25	25	25	35.6	25	25	25	25
	12	7	7	7	33	36	21	21	21	35.4	36	21	21	21
	12	9	7	7	33.2	34	26	20	20	35.6	34	26	20	20
	12	9	9	7	33.4	32	24	24	19	35.8	32	24	24	19
	12	9	9	9	33.6	31	23	23	23	36	31	23	23	23
	12	12	7	7	33.8	32	32	18	18	36.2	32	32	18	18
	12	12	9	7	34	30	30	23	18	36.4	30	30	23	18
	12	12	9	9	34.2	29	29	21	21	36.6	29	29	21	21
	12	12	12	7	34.4	28	28	28	16	36.8	28	28	28	16
	12	12	12	9	34.6	27	27	27	20	37	27	27	27	20
	12	12	12	12	34.8	25	25	25	25	37.2	25	25	25	25
	15	7	7	7	33.2	42	19	19	19	35.6	42	19	19	19
	15	9	7	7	33.4	39	24	18	18	35.8	39	24	18	18
	15	9	9	7	33.6	38	23	23	18	36	38	23	23	18
	15	9	9	9	33.8	36	21	21	21	36.2	36	21	21	21
	15	12	7	7	34	37	29	17	17	36.4	37	29	17	17
	15	12	9	7	34.2	35	28	21	16	36.6	35	28	21	16
	15	12	9	9	34.4	33	27	20	20	36.8	33	27	20	20
	15	12	12	7	34.6	33	26	26	15	37	33	26	26	15
	15	12	12	9	34.8	31	25	25	19	37.2	31	25	25	19
	15	15	7	7	35	34	34	16	16	37.4	34	34	16	16
	15	15	9	7	35.2	33	33	20	15	37.6	33	33	20	15
	15	15	9	9	35.4	31	31	19	19	37.8	31	31	19	19
	18	7	7	7	33.6	46	18	18	18	36	46	18	18	18
	18	9	7	7	33.8	44	22	17	17	36.2	44	22	17	17
	18	9	9	7	34	42	21	21	16	36.4	42	21	21	16
	18	9	9	9	34.2	40	20	20	20	36.6	40	20	20	20
	18	12	7	7	34.4	41	27	16	16	36.8	41	27	16	16
18	12	9	7	34.6	39	26	20	15	37	39	26	20	15	
18	12	9	9	34.8	38	25	19	19	37.2	38	25	19	19	
18	15	7	7	35	38	32	15	15	37.4	38	32	15	15	
24	7	7	7	35.2	53	16	16	16	37.6	53	16	16	16	
24	9	7	7	35.4	51	19	15	15	37.8	51	19	15	15	

# 2. SYSTEM

## 4G36AD2BEA

### Non-Ducted

Comb.	Combinations				Total Cooling Capacity (Kbtu)	Capacity Indoor Percent (%)				Total Heating Capacity (Kbtu)	Capacity Indoor Percent (%)			
	Unit A	Unit B	Unit C	Unit D		Unit A	Unit B	Unit C	Unit D		Unit A	Unit B	Unit C	Unit D
Two Zone	24	7	—	—	31.3	78	22	—	—	31.8	78	22	—	—
	18	9	—	—	30.5	72	28	—	—	31.6	72	28	—	—
	24	9	—	—	31.5	73	27	—	—	32.6	73	27	—	—
	18	12	—	—	31.6	60	40	—	—	32.7	60	40	—	—
	24	12	—	—	32.8	67	33	—	—	33.5	67	33	—	—
	18	15	—	—	32.4	45	55	—	—	33.2	45	55	—	—
	24	15	—	—	33.1	62	38	—	—	34.2	62	38	—	—
	18	18	—	—	32.9	50	50	—	—	34	50	50	—	—
	18	24	—	—	33.4	43	57	—	—	34.5	43	57	—	—
24	24	—	—	33.5	50	50	—	—	34.6	50	50	—	—	
Three Zone	9	9	9	—	32	33	33	33	—	32.8	33	33	33	—
	12	9	7	—	32.9	43	32	25	—	33.7	43	32	25	—
	12	9	9	—	33.3	40	30	30	—	34.1	40	30	30	—
	12	12	7	—	33.7	39	39	23	—	34.5	39	39	23	—
	12	12	9	—	34.1	36	36	27	—	34.9	36	36	27	—
	12	12	12	—	34.5	33	33	33	—	35.3	33	33	33	—
	15	7	7	—	34.7	52	24	24	—	35.5	52	24	24	—
	15	9	7	—	34.9	48	29	23	—	35.7	48	29	23	—
	15	12	7	—	35.1	44	35	21	—	35.9	44	35	21	—
	15	15	7	—	35.3	41	41	18	—	36.1	41	41	18	—
	15	9	9	—	35.5	46	27	27	—	36.3	45	27	27	—
	15	12	9	—	35.7	42	33	25	—	36.5	42	33	25	—
	15	15	9	—	35.9	38	38	24	—	36.7	38	38	24	—
	15	12	12	—	36.1	38	31	31	—	36.9	38	31	31	—
	15	15	12	—	36.3	36	36	29	—	37.1	36	36	29	—
	15	15	15	—	36.5	33	33	33	—	37.3	33	33	33	—
	18	7	7	—	34.3	56	22	22	—	35.1	56	22	22	—
	18	9	7	—	35.2	53	26	21	—	36	53	26	21	—
	18	9	9	—	35.2	50	25	25	—	36	50	25	25	—
	18	12	7	—	35.4	49	32	19	—	36.2	49	32	19	—
	18	12	9	—	35.6	46	31	23	—	36.4	46	31	23	—
	18	12	12	—	35.8	43	29	29	—	36.6	43	29	29	—
	18	15	7	—	35.5	45	38	18	—	36.3	45	38	18	—
	18	15	9	—	35.7	43	36	21	—	36.5	43	36	21	—
	18	15	12	—	35.9	40	33	27	—	36.7	40	33	27	—
	18	15	15	—	36.1	38	31	31	—	36.9	38	31	31	—
	18	18	7	—	36.2	42	42	16	—	37	42	42	16	—
	18	18	9	—	36.4	40	40	20	—	37.2	40	40	20	—
	18	18	12	—	36.6	38	38	25	—	37.4	38	38	25	—
	24	7	7	—	35.6	63	18	18	—	36.4	63	18	18	—
	24	9	7	—	35.8	60	23	18	—	36.6	60	23	18	—
	24	9	9	—	36	57	21	21	—	36.8	57	21	21	—
24	12	7	—	36.2	56	28	16	—	37	56	28	16	—	
24	12	9	—	36.4	53	27	20	—	37.2	53	27	20	—	
24	12	12	—	36.6	50	25	25	—	37.4	50	25	25	—	
24	15	7	—	36.5	52	33	15	—	37.3	52	33	15	—	
24	15	9	—	36.7	50	31	19	—	37.5	50	31	19	—	
Four Zone	7	7	7	7	32	25	25	25	25	33.2	25	25	25	25
	9	7	7	7	33	30	23	23	23	34.2	30	23	23	23
	9	9	7	7	34	28	28	22	22	35.2	28	28	22	22
	9	9	9	7	34.5	26	26	26	21	35.7	26	26	26	21
	9	9	9	9	35	25	25	25	25	36	25	25	25	25
	12	7	7	7	34.6	36	21	21	21	35.8	36	21	21	21
	12	9	7	7	34.8	34	26	20	20	36	34	26	20	20
	12	9	9	7	35	32	24	24	19	36.2	32	24	24	19
	12	9	9	9	35.2	31	23	23	23	36.4	31	23	23	23
	12	12	7	7	35.4	32	32	18	18	36.6	32	32	18	18
	12	12	9	7	35.6	30	30	23	18	36.8	30	30	23	18
	12	12	9	9	35.8	29	29	21	21	37	29	29	21	21
	12	12	12	7	36	28	28	28	16	37.2	28	28	28	16
	12	12	12	9	36.2	27	27	27	20	37.4	27	27	27	20
	12	12	12	12	36.4	25	25	25	25	37.6	25	25	25	25
	15	7	7	7	34.8	42	19	19	19	36	42	19	19	19
	15	9	7	7	35	39	24	18	18	36.2	39	24	18	18
	15	9	9	7	35.2	38	23	23	18	36.4	38	23	23	18
	15	9	9	9	35.4	36	21	21	21	36.6	36	21	21	21
	15	12	7	7	35.6	37	29	17	17	36.8	37	29	17	17
	15	12	9	7	35.8	35	28	21	16	37	35	28	21	16
	15	12	9	9	36	33	27	20	20	37.2	33	27	20	20
	15	12	12	7	36.2	33	26	26	15	37.4	33	26	26	15
	15	12	12	9	36.4	31	25	25	19	37.6	31	25	25	19
	15	15	7	7	36.6	34	34	16	16	37.8	34	34	16	16
	15	15	9	7	36.8	33	33	20	15	38	33	33	20	15
	15	15	9	9	37	31	31	19	19	38.2	31	31	19	19
	18	7	7	7	35.2	46	18	18	18	36.4	46	18	18	18
	18	9	7	7	35.4	44	22	17	17	36.6	44	22	17	17
	18	9	9	7	35.6	42	21	21	16	36.8	42	21	21	16
	18	9	9	9	35.8	40	20	20	20	37	40	20	20	20
	18	12	7	7	36	41	27	16	16	37.2	41	27	16	16
18	12	9	7	36.2	39	26	20	15	37.4	39	26	20	15	
18	12	9	9	36.4	38	25	19	19	37.6	38	25	19	19	
18	15	7	7	36.6	38	32	15	15	37.8	38	32	15	15	
24	7	7	7	36.8	53	16	16	16	38	53	16	16	16	
24	9	7	7	37	51	19	15	15	38.2	51	19	15	15	

# 2. SYSTEM

## 4G36ED2BEA

### Ducted

Comb.	Combinations				Total Cooling Capacity (Kbtu)	Capacity Indoor Percent (%)				Total Heating Capacity (Kbtu)	Capacity Indoor Percent (%)			
	Unit A	Unit B	Unit C	Unit D		Unit A	Unit B	Unit C	Unit D		Unit A	Unit B	Unit C	Unit D
Two Zone	24	7	—	—	31.0	78	22	—	—	31.6	78	22	—	—
	18	9	—	—	30.2	72	28	—	—	31.4	72	28	—	—
	24	9	—	—	31.2	73	27	—	—	32.4	73	27	—	—
	18	12	—	—	31.3	60	40	—	—	32.5	60	40	—	—
	24	12	—	—	32.5	67	33	—	—	33.3	67	33	—	—
	18	15	—	—	32.1	45	55	—	—	33.0	45	55	—	—
	24	15	—	—	32.8	62	38	—	—	34.0	62	38	—	—
	18	18	—	—	32.6	50	50	—	—	33.8	50	50	—	—
	18	24	—	—	33.1	43	57	—	—	34.3	43	57	—	—
	24	24	—	—	33.2	50	50	—	—	34.4	50	50	—	—
Three Zone	9	9	9	—	31.7	33	33	33	—	32.6	33	33	33	—
	12	9	7	—	32.6	43	32	25	—	33.5	43	32	25	—
	12	9	9	—	33.0	40	30	30	—	33.9	40	30	30	—
	12	12	7	—	33.4	39	39	23	—	34.3	39	39	23	—
	12	12	9	—	33.8	36	36	27	—	34.7	36	36	27	—
	12	12	12	—	34.2	33	33	33	—	35.1	33	33	33	—
	15	7	7	—	34.4	52	24	24	—	35.3	52	24	24	—
	15	9	7	—	34.6	48	29	23	—	35.5	48	29	23	—
	15	12	7	—	34.8	44	35	21	—	35.7	44	35	21	—
	15	15	7	—	35.0	41	41	18	—	35.9	41	41	18	—
	15	9	9	—	35.2	46	27	27	—	36.1	45	27	27	—
	15	12	9	—	35.4	42	33	25	—	36.3	42	33	25	—
	15	15	9	—	35.6	38	38	24	—	36.5	38	38	24	—
	15	12	12	—	35.8	38	31	31	—	36.7	38	31	31	—
	15	15	12	—	36.0	36	36	29	—	36.9	36	36	29	—
	15	15	15	—	36.2	33	33	33	—	37.1	33	33	33	—
	18	7	7	—	34.0	56	22	22	—	34.9	56	22	22	—
	18	9	7	—	34.9	53	26	21	—	35.8	53	26	21	—
	18	9	9	—	34.9	50	25	25	—	35.8	50	25	25	—
	18	12	7	—	35.1	49	32	19	—	36.0	49	32	19	—
	18	12	9	—	35.3	46	31	23	—	36.2	46	31	23	—
	18	12	12	—	35.5	43	29	29	—	36.4	43	29	29	—
	18	15	7	—	35.2	45	38	18	—	36.1	45	38	18	—
	18	15	9	—	35.4	43	36	21	—	36.3	43	36	21	—
	18	15	12	—	35.6	40	33	27	—	36.5	40	33	27	—
	18	15	15	—	35.8	38	31	31	—	36.7	38	31	31	—
	18	18	7	—	35.9	42	42	16	—	36.8	42	42	16	—
	18	18	9	—	36.1	40	40	20	—	37.0	40	40	20	—
	18	18	12	—	36.3	38	38	25	—	37.2	38	38	25	—
	24	7	7	—	35.3	63	18	18	—	36.2	63	18	18	—
24	9	7	—	35.5	60	23	18	—	36.4	60	23	18	—	
24	9	9	—	35.7	57	21	21	—	36.6	57	21	21	—	
24	12	7	—	35.9	56	28	16	—	36.8	56	28	16	—	
24	12	9	—	36.1	53	27	20	—	37.0	53	27	20	—	
24	12	12	—	36.3	50	25	25	—	37.2	50	25	25	—	
24	15	7	—	36.2	52	33	15	—	37.1	52	33	15	—	
24	15	9	—	36.4	50	31	19	—	37.3	50	31	19	—	
Four Zone	7	7	7	7	31.7	25	25	25	25	33.8	25	25	25	25
	9	7	7	7	32.7	30	23	23	23	34.8	30	23	23	23
	9	9	7	7	33.7	28	28	22	22	35.3	28	28	22	22
	9	9	9	7	34.5	26	26	26	21	34.8	26	26	26	21
	9	9	9	9	35.0	25	25	25	25	35.0	25	25	25	25
	12	7	7	7	34.3	36	21	21	21	35.4	36	21	21	21
	12	9	7	7	34.5	34	26	20	20	35.6	34	26	20	20
	12	9	9	7	34.7	32	24	24	19	35.8	32	24	24	19
	12	9	9	9	34.9	31	23	23	23	36.0	31	23	23	23
	12	12	7	7	35.1	32	32	18	18	36.2	32	32	18	18
	12	12	9	7	35.3	30	30	23	18	36.4	30	30	23	18
	12	12	9	9	35.5	29	29	21	21	36.6	29	29	21	21
	12	12	12	7	35.7	28	28	28	16	36.8	28	28	28	16
	12	12	12	9	35.9	27	27	27	20	37.0	27	27	27	20
	12	12	12	12	36.1	25	25	25	25	37.2	25	25	25	25
	15	7	7	7	34.5	42	19	19	19	35.6	42	19	19	19
	15	9	7	7	34.7	39	24	18	18	35.8	39	24	18	18
	15	9	9	7	34.9	38	23	23	18	36.0	38	23	23	18
	15	9	9	9	35.1	36	21	21	21	36.2	36	21	21	21
	15	12	7	7	35.3	37	29	17	17	36.4	37	29	17	17
	15	12	9	7	35.5	35	28	21	16	36.6	35	28	21	16
	15	12	9	9	35.7	33	27	20	20	36.8	33	27	20	20
	15	12	12	7	35.9	33	26	26	15	37.0	33	26	26	15
	15	12	12	9	36.1	31	25	25	19	37.2	31	25	25	19
	15	15	7	7	36.3	34	34	16	16	37.4	34	34	16	16
	15	15	9	7	36.5	33	33	20	15	37.6	33	33	20	15
	15	15	9	9	36.7	31	31	19	19	37.8	31	31	19	19
	18	7	7	7	34.9	46	18	18	18	36.0	46	18	18	18
	18	9	7	7	35.1	44	22	17	17	36.2	44	22	17	17
	18	9	9	7	35.3	42	21	21	16	36.4	42	21	21	16
18	9	9	9	35.5	40	20	20	20	36.6	40	20	20	20	
18	12	7	7	35.7	41	27	16	16	36.8	41	27	16	16	
18	12	9	7	35.9	39	26	20	15	37.0	39	26	20	15	
18	12	9	9	36.1	38	25	19	19	37.2	38	25	19	19	
18	15	7	7	36.3	38	32	15	15	37.4	38	32	15	15	
24	7	7	7	36.5	53	16	16	16	37.6	53	16	16	16	
24	9	7	7	36.7	51	19	15	15	37.8	51	19	15	15	

# 2. SYSTEM

## 4G36ED2BEA

ENGLISH

### Non-Ducted

Comb.	Combinations				Total Cooling Capacity (Kbtu)	Capacity Indoor Percent (%)				Total Heating Capacity (Kbtu)	Capacity Indoor Percent (%)			
	Unit A	Unit B	Unit C	Unit D		Unit A	Unit B	Unit C	Unit D		Unit A	Unit B	Unit C	Unit D
Two Zone	24	7	—	—	32.0	78	22	—	—	32.6	78	22	—	—
	18	9	—	—	31.2	72	28	—	—	32.4	72	28	—	—
	24	9	—	—	32.2	73	27	—	—	33.4	73	27	—	—
	18	12	—	—	32.3	60	40	—	—	33.5	60	40	—	—
	24	12	—	—	33.5	67	33	—	—	34.3	67	33	—	—
	18	15	—	—	33.1	45	55	—	—	34.0	45	55	—	—
	24	15	—	—	33.8	62	38	—	—	35.0	62	38	—	—
	18	18	—	—	33.6	50	50	—	—	34.8	50	50	—	—
	18	24	—	—	34.1	43	57	—	—	35.3	43	57	—	—
24	24	—	—	34.2	50	50	—	—	35.4	50	50	—	—	
Three Zone	9	9	9	—	32.7	33	33	33	—	33.6	33	33	33	—
	12	9	7	—	33.6	43	32	25	—	34.5	43	32	25	—
	12	9	9	—	34.0	40	30	30	—	34.9	40	30	30	—
	12	12	7	—	34.4	39	39	23	—	35.3	39	39	23	—
	12	12	9	—	34.8	36	36	27	—	35.7	36	36	27	—
	12	12	12	—	35.2	33	33	33	—	36.1	33	33	33	—
	15	7	7	—	35.4	52	24	24	—	36.3	52	24	24	—
	15	9	7	—	35.6	48	29	23	—	36.5	48	29	23	—
	15	12	7	—	35.8	44	35	21	—	36.7	44	35	21	—
	15	15	7	—	36.0	41	41	18	—	36.9	41	41	18	—
	15	9	9	—	36.2	46	27	27	—	37.1	45	27	27	—
	15	12	9	—	36.4	42	33	25	—	37.3	42	33	25	—
	15	15	9	—	36.6	38	38	24	—	37.5	38	38	24	—
	15	12	12	—	36.8	38	31	31	—	37.7	38	31	31	—
	15	15	12	—	37.0	36	36	29	—	37.9	36	36	29	—
	15	15	15	—	37.2	33	33	33	—	38.1	33	33	33	—
	18	7	7	—	35.0	56	22	22	—	35.9	56	22	22	—
	18	9	7	—	35.9	53	26	21	—	36.8	53	26	21	—
	18	9	9	—	35.9	50	25	25	—	36.8	50	25	25	—
	18	12	7	—	36.1	49	32	19	—	37.0	49	32	19	—
	18	12	9	—	36.3	46	31	23	—	37.2	46	31	23	—
	18	12	12	—	36.5	43	29	29	—	37.4	43	29	29	—
	18	15	7	—	36.2	45	38	18	—	37.1	45	38	18	—
	18	15	9	—	36.4	43	36	21	—	37.3	43	36	21	—
	18	15	12	—	36.6	40	33	27	—	37.5	40	33	27	—
	18	15	15	—	36.8	38	31	31	—	37.7	38	31	31	—
	18	18	7	—	36.9	42	42	16	—	37.8	42	42	16	—
	18	18	9	—	37.1	40	40	20	—	38.0	40	40	20	—
	18	18	12	—	37.3	38	38	25	—	38.2	38	38	25	—
	24	7	7	—	36.3	63	18	18	—	37.2	63	18	18	—
	24	9	7	—	36.5	60	23	18	—	37.4	60	23	18	—
	24	9	9	—	36.7	57	21	21	—	37.6	57	21	21	—
24	12	7	—	36.9	56	28	16	—	37.8	56	28	16	—	
24	12	9	—	37.1	53	27	20	—	38.0	53	27	20	—	
24	12	12	—	37.3	50	25	25	—	38.2	50	25	25	—	
24	15	7	—	37.2	52	33	15	—	38.1	52	33	15	—	
24	15	9	—	37.4	50	31	19	—	38.3	50	31	19	—	
Four Zone	7	7	7	7	32.7	25	25	25	25	34.8	25	25	25	25
	9	7	7	7	33.7	30	23	23	23	35.8	30	23	23	23
	9	9	7	7	34.7	28	28	22	22	36.3	28	28	22	22
	9	9	9	7	35.5	26	26	26	21	35.8	26	26	26	21
	9	9	9	9	36.0	25	25	25	25	36.0	25	25	25	25
	12	7	7	7	35.3	36	21	21	21	36.4	36	21	21	21
	12	9	7	7	35.5	34	26	20	20	36.6	34	26	20	20
	12	9	9	7	35.7	32	24	24	19	36.8	32	24	24	19
	12	9	9	9	35.9	31	23	23	23	37.0	31	23	23	23
	12	12	7	7	36.1	32	32	18	18	37.2	32	32	18	18
	12	12	9	7	36.3	30	30	23	18	37.4	30	30	23	18
	12	12	9	9	36.5	29	29	21	21	37.6	29	29	21	21
	12	12	12	7	36.7	28	28	28	16	37.8	28	28	28	16
	12	12	12	9	36.9	27	27	27	20	38.0	27	27	27	20
	12	12	12	12	37.1	25	25	25	25	38.2	25	25	25	25
	15	7	7	7	35.5	42	19	19	19	36.6	42	19	19	19
	15	9	7	7	35.7	39	24	18	18	36.8	39	24	18	18
	15	9	9	7	35.9	38	23	23	18	37.0	38	23	23	18
	15	9	9	9	36.1	36	21	21	21	37.2	36	21	21	21
	15	12	7	7	36.3	37	29	17	17	37.4	37	29	17	17
	15	12	9	7	36.5	35	28	21	16	37.6	35	28	21	16
	15	12	9	9	36.7	33	27	20	20	37.8	33	27	20	20
	15	12	12	7	36.9	33	26	26	15	38.0	33	26	26	15
	15	12	12	9	37.1	31	25	25	19	38.2	31	25	25	19
	15	15	7	7	37.3	34	34	16	16	38.4	34	34	16	16
	15	15	9	7	37.5	33	33	20	15	38.6	33	33	20	15
	15	15	9	9	37.7	31	31	19	19	38.8	31	31	19	19
	18	7	7	7	35.9	46	18	18	18	37.0	46	18	18	18
	18	9	7	7	36.1	44	22	17	17	37.2	44	22	17	17
	18	9	9	7	36.3	42	21	21	16	37.4	42	21	21	16
	18	9	9	9	36.5	40	20	20	20	37.6	40	20	20	20
	18	12	7	7	36.7	41	27	16	16	37.8	41	27	16	16
18	12	9	7	36.9	39	26	20	15	38.0	39	26	20	15	
18	12	9	9	37.1	38	25	19	19	38.2	38	25	19	19	
18	15	7	7	37.3	38	32	15	15	38.4	38	32	15	15	
24	7	7	7	37.5	53	16	16	16	38.6	53	16	16	16	
24	9	7	7	37.7	51	19	15	15	38.8	51	19	15	15	

# 2. SYSTEM

## 5G42ED2BEA

### Ducted

Comb.	Combinations					Total Cooling Capacity (Kbtu)	Capacity Indoor Percent (%)					Total Heating Capacity (Kbtu)	Capacity Indoor Percent (%)				
	Unit A	Unit B	Unit C	Unit D	Unit E		Unit A	Unit B	Unit C	Unit D	Unit E		Unit A	Unit B	Unit C	Unit D	Unit E
Two Zone	24	7	—	—	—	38.3	77	23	—	—	—	39.2	77	23	—	—	—
	18	9	—	—	—	38	67	33	—	—	—	38.9	67	33	—	—	—
	24	9	—	—	—	38.8	73	27	—	—	—	39.6	73	27	—	—	—
	18	12	—	—	—	38.4	60	40	—	—	—	39.1	60	40	—	—	—
	24	12	—	—	—	39	67	33	—	—	—	40	67	33	—	—	—
	18	15	—	—	—	38.6	45	55	—	—	—	39.6	45	55	—	—	—
	24	15	—	—	—	39.2	62	38	—	—	—	40.4	62	38	—	—	—
	18	18	—	—	—	39.4	50	50	—	—	—	40.3	50	50	—	—	—
	18	24	—	—	—	39.8	43	57	—	—	—	40.8	43	57	—	—	—
24	24	—	—	—	40.7	50	50	—	—	—	41.7	50	50	—	—	—	
Three Zone	9	9	9	—	—	37.4	33	33	33	—	—	39.3	33	33	33	—	—
	12	9	9	—	—	37.6	40	30	30	—	—	39.5	40	30	30	—	—
	12	9	7	—	—	37.8	43	32	25	—	—	39.7	43	32	25	—	—
	12	12	7	—	—	38	39	39	23	—	—	39.9	39	39	23	—	—
	12	12	9	—	—	38.5	36	36	27	—	—	40.4	36	36	27	—	—
	12	12	12	—	—	39	33	33	33	—	—	40.9	33	33	33	—	—
	15	7	7	—	—	37.8	52	24	24	—	—	39.7	52	24	24	—	—
	15	9	7	—	—	38	48	29	23	—	—	39.9	48	29	23	—	—
	15	9	9	—	—	38.2	45	27	27	—	—	40.1	45	27	27	—	—
	15	12	7	—	—	38.4	44	35	21	—	—	40.3	44	35	21	—	—
	15	12	9	—	—	38.6	42	33	25	—	—	40.5	42	33	25	—	—
	15	12	12	—	—	39.2	38	31	31	—	—	41.1	38	31	31	—	—
	15	15	7	—	—	39.4	41	41	19	—	—	41.3	41	41	19	—	—
	15	15	9	—	—	39.6	38	38	23	—	—	41.5	38	38	23	—	—
	15	15	12	—	—	39.8	36	36	29	—	—	41.7	36	36	29	—	—
	15	15	15	—	—	40.2	33	33	33	—	—	42.1	33	33	33	—	—
	18	7	7	—	—	38.3	56	22	22	—	—	40.2	56	22	22	—	—
	18	9	7	—	—	38.5	53	26	21	—	—	40.4	53	26	21	—	—
	18	9	9	—	—	38.7	50	25	25	—	—	40.6	50	25	25	—	—
	18	12	7	—	—	38.9	49	32	19	—	—	40.8	49	32	19	—	—
	18	12	9	—	—	39.1	46	31	23	—	—	41	46	31	23	—	—
	18	12	12	—	—	39.3	43	29	29	—	—	41.2	43	29	29	—	—
	18	15	7	—	—	39	45	38	18	—	—	40.9	45	38	18	—	—
	18	15	9	—	—	39.2	43	36	21	—	—	41.1	43	36	21	—	—
	18	15	12	—	—	39.4	40	33	27	—	—	41.3	40	33	27	—	—
	18	15	15	—	—	40	38	31	31	—	—	41.9	38	31	31	—	—
	18	18	7	—	—	39.5	42	42	16	—	—	41.4	42	42	16	—	—
	18	18	9	—	—	39.7	40	40	20	—	—	41.6	40	40	20	—	—
	18	18	12	—	—	39.9	38	38	25	—	—	41.8	38	38	25	—	—
	18	18	15	—	—	40.5	35	35	29	—	—	42.4	35	35	29	—	—
	18	18	18	—	—	41.1	33	33	33	—	—	43	33	33	33	—	—
	24	7	7	—	—	39.3	63	18	18	—	—	41.2	63	18	18	—	—
	24	9	7	—	—	39.5	60	23	18	—	—	41.4	60	23	18	—	—
	24	9	9	—	—	39.7	57	21	21	—	—	41.6	57	21	21	—	—
	24	12	7	—	—	39.9	56	28	16	—	—	41.8	56	28	16	—	—
	24	12	9	—	—	40.1	53	27	20	—	—	42	53	27	20	—	—
24	12	12	—	—	40.5	50	25	25	—	—	42.4	50	25	25	—	—	
24	15	7	—	—	40.7	52	33	15	—	—	42.6	52	33	15	—	—	
24	15	9	—	—	40.9	50	31	19	—	—	42.8	50	31	19	—	—	
24	15	12	—	—	41.1	47	29	24	—	—	43	47	29	24	—	—	
24	15	15	—	—	41.3	44	28	28	—	—	43.2	44	28	28	—	—	
24	18	7	—	—	41	49	37	14	—	—	42.9	49	37	14	—	—	
24	18	9	—	—	41.2	47	35	18	—	—	43.1	47	35	18	—	—	
24	18	12	—	—	41.8	44	33	22	—	—	43.7	44	33	22	—	—	
24	18	15	—	—	42	42	32	26	—	—	43.9	42	32	26	—	—	
Four Zone	7	7	7	7	—	38.4	25	25	25	25	—	40	25	25	25	25	—
	9	7	7	7	—	38.6	30	23	23	23	—	40.2	30	23	23	23	—
	9	9	7	7	—	39.4	28	28	22	22	—	41	28	28	22	22	—
	9	9	9	7	—	39.6	26	26	26	21	—	41.2	26	26	26	21	—
	9	9	9	9	—	40.4	25	25	25	25	—	42	25	25	25	25	—
	12	7	7	7	—	40.6	36	21	21	21	—	42.2	36	21	21	21	—
	12	9	7	7	—	41.4	34	26	20	20	—	43	34	26	20	20	—
	12	9	9	7	—	41.6	32	24	24	19	—	43.2	32	24	24	19	—
	12	9	9	9	—	41.8	31	23	23	23	—	43.4	31	23	23	23	—
	12	12	7	7	—	42	32	32	18	18	—	43.6	32	32	18	18	—
	12	12	9	7	—	42.2	30	30	23	18	—	43.8	30	30	23	18	—
	12	12	9	9	—	42.4	29	29	21	21	—	44	29	29	21	21	—
	12	12	12	7	—	42.6	28	28	28	16	—	44.2	28	28	28	16	—
	12	12	12	9	—	42.8	27	27	27	20	—	44.4	27	27	27	20	—
	12	12	12	12	—	43	25	25	25	25	—	44.6	25	25	25	25	—
	15	7	7	7	—	41	42	19	19	19	—	42.6	42	19	19	19	—
	15	9	7	7	—	41.2	39	24	18	18	—	42.8	39	24	18	18	—
	15	9	9	7	—	41.4	38	23	23	18	—	43	38	23	23	18	—
	15	9	9	9	—	41.6	36	21	21	21	—	43.2	36	21	21	21	—
	15	12	7	7	—	41.8	37	29	17	17	—	43.4	37	29	17	17	—
	15	12	9	7	—	42	35	28	21	16	—	43.6	35	28	21	16	—
	15	12	9	9	—	42.2	33	27	20	20	—	43.8	33	27	20	20	—
	15	12	12	7	—	42.4	33	26	26	15	—	44	33	26	26	15	—
	15	12	12	9	—	42.6	31	25	25	19	—	44.2	31	25	25	19	—
	15	12	12	12	—	42.8	29	24	24	24	—	44.4	29	24	24	24	—
	15	15	7	7	—	42	34	34	16	16	—	43.6	34	34	16	16	—
	15	15	9	7	—	42.2	33	33	20	15	—	43.8	33	33	20	15	—
15	15	9	9	—	42.4	31	31	19	19	—	44	31	31	19	19	—	
15	15	12	9	—	42.6	29	29	24	18	—	44.2	29	29	24	18	—	

# 2. SYSTEM

## 5G42ED2BEA

ENGLISH

### Ducted (Continued)

Comb.	Combinations					Total Cooling Capacity (Kbtu)	Capacity Indoor Percent (%)					Total Heating Capacity (Kbtu)	Capacity Indoor Percent (%)				
	Unit A	Unit B	Unit C	Unit D	Unit E		Unit A	Unit B	Unit C	Unit D	Unit E		Unit A	Unit B	Unit C	Unit D	Unit E
Four Zone (Continued)	15	15	12	12	—	42.8	28	28	22	22	—	44.4	28	28	22	22	—
	15	15	15	12	—	43	26	26	26	21	—	44.6	26	26	26	21	—
	18	7	7	7	—	41.3	46	18	18	18	—	42.9	46	18	18	18	—
	18	9	7	7	—	41.5	44	22	17	17	—	43.1	44	22	17	17	—
	18	9	9	7	—	41.7	42	21	21	16	—	43.3	42	21	21	16	—
	18	9	9	9	—	41.9	40	20	20	20	—	43.5	40	20	20	20	—
	18	12	7	7	—	42.1	41	27	16	16	—	43.7	41	27	16	16	—
	18	12	9	7	—	42.3	39	26	20	15	—	43.9	39	26	20	15	—
	18	12	9	9	—	42.5	38	25	19	19	—	44.1	38	25	19	19	—
	18	12	12	7	—	42.7	37	24	24	14	—	44.3	37	24	24	14	—
	18	12	12	9	—	42.9	35	24	24	18	—	44.5	35	24	24	18	—
	18	12	12	12	—	43.1	33	22	22	22	—	44.7	33	22	22	22	—
	18	15	7	7	—	42.8	38	32	15	15	—	44.4	38	32	15	15	—
	18	15	9	7	—	43	37	31	18	14	—	44.6	37	31	18	14	—
	18	15	9	9	—	43.2	35	29	18	18	—	44.8	35	29	18	18	—
	18	15	12	7	—	43.4	35	29	23	13	—	45	35	29	23	13	—
	18	15	12	9	—	43.6	33	28	22	17	—	45.2	33	28	22	17	—
	18	15	12	12	—	43.8	32	26	21	21	—	45.4	32	26	21	21	—
	18	18	7	7	—	42.5	36	36	14	14	—	44.1	36	36	14	14	—
	18	18	9	7	—	42.7	35	35	17	13	—	44.3	35	35	17	13	—
	18	18	9	9	—	42.9	33	33	17	17	—	44.5	33	33	17	17	—
	18	18	12	7	—	43.1	33	33	22	13	—	44.7	33	33	22	13	—
	18	18	12	9	—	43.3	32	32	21	16	—	44.9	32	32	21	16	—
	24	7	7	7	—	42	53	16	16	16	—	43.6	53	16	16	16	—
	24	9	7	7	—	42.2	51	19	15	15	—	43.8	51	19	15	15	—
	24	9	9	7	—	42.4	49	18	18	14	—	44	49	18	18	14	—
	24	9	9	9	—	42.6	47	18	18	18	—	44.2	47	18	18	18	—
	24	12	7	7	—	42.8	48	24	14	14	—	44.4	48	24	14	14	—
	24	12	9	7	—	43	46	23	17	13	—	44.6	46	23	17	13	—
	24	12	9	9	—	43.2	44	22	17	17	—	44.8	44	22	17	17	—
24	12	12	7	—	43.4	44	22	22	13	—	45	44	22	22	13	—	
24	15	7	7	—	43.4	45	28	13	13	—	45	45	28	13	13	—	
24	15	9	7	—	43.6	44	27	16	13	—	45.2	44	27	16	13	—	
24	18	7	7	—	43.8	43	32	13	13	—	45.2	43	32	13	13	—	
Five Zone	7	7	7	7	7	40.6	20	20	20	20	20	41.5	20	20	20	20	20
	9	7	7	7	7	40.8	24	19	19	19	19	41.7	24	19	19	19	19
	9	9	7	7	7	41	23	23	18	18	18	41.9	23	23	18	18	18
	9	9	9	7	7	41.4	22	22	22	17	17	42.1	22	22	22	17	17
	9	9	9	9	7	41.6	21	21	21	21	16	42.3	21	21	21	21	16
	9	9	9	9	9	42	20	20	20	20	20	42.5	20	20	20	20	20
	12	7	7	7	7	41	30	18	18	18	18	42.2	30	18	18	18	18
	12	9	7	7	7	41.2	29	21	17	17	17	42.4	29	21	17	17	17
	12	9	9	7	7	41.4	27	20	20	16	16	42.6	27	20	20	16	16
	12	9	9	9	7	41.6	26	20	20	20	15	42.8	26	20	20	20	15
	12	9	9	9	9	41.8	25	19	19	19	19	43	25	19	19	19	19
	12	12	7	7	7	42	27	27	16	16	16	43.2	27	27	16	16	16
	12	12	9	7	7	42.2	26	26	19	15	15	43.4	26	26	19	15	15
	12	12	9	9	7	42.4	24	24	18	18	14	43.6	24	24	18	18	14
	12	12	9	9	9	42.6	24	24	18	18	18	43.8	24	24	18	18	18
	12	12	12	7	7	42.8	24	24	24	14	14	44	24	24	24	14	14
	12	12	12	9	7	43	23	23	23	17	13	44.2	23	23	23	17	13
	12	12	12	9	9	43.2	22	22	22	17	17	44.4	22	22	22	17	17
	12	12	12	12	7	43.4	22	22	22	22	13	44.6	22	22	22	22	13
	12	12	12	12	9	43.6	21	21	21	21	16	44.8	21	21	21	21	16
	12	12	12	12	12	43.8	20	20	20	20	20	45	20	20	20	20	20
	18	7	7	7	7	42	39	15	15	15	15	43.2	39	15	15	15	15
	18	9	7	7	7	42.2	38	19	15	15	15	43.4	38	19	15	15	15
	18	9	9	7	7	42.4	36	18	18	14	14	43.6	36	18	18	14	14
	18	9	9	9	7	42.6	35	17	17	17	13	43.8	35	17	17	17	13
	18	9	9	9	9	42.8	33	17	17	17	17	44	33	17	17	17	17
	18	12	7	7	7	43	35	24	14	14	14	44.2	35	24	14	14	14
	18	12	9	7	7	43.2	34	23	17	13	13	44.4	34	23	17	13	13
	18	12	9	9	7	43.4	33	22	16	16	13	44.6	33	22	16	16	13
	18	12	9	9	9	43.6	32	21	16	16	16	44.8	32	21	16	16	16
	18	12	12	7	7	43.8	32	21	21	13	13	45	32	21	21	13	13
	18	12	12	9	7	44	31	21	21	16	12	45.2	31	21	21	16	12
	18	12	12	9	9	44.2	30	20	20	15	15	45.4	30	20	20	15	15
	18	15	7	7	7	43.4	33	28	13	13	13	44.6	33	28	13	13	13
	18	15	9	7	7	43.6	32	27	16	13	13	44.8	32	27	16	13	13
	18	15	9	9	7	43.8	31	26	16	16	12	45	31	26	16	16	12
18	15	9	9	9	44	30	25	15	15	15	45.2	30	25	15	15	15	
18	15	12	7	7	44.2	31	25	20	12	12	45.4	31	25	20	12	12	
24	7	7	7	7	43	46	13	13	13	13	44.2	46	13	13	13	13	
24	9	7	7	7	43.2	44	17	13	13	13	44.4	44	17	13	13	13	
24	9	9	7	7	43.4	43	16	16	13	13	44.6	43	16	16	13	13	
24	9	9	9	7	43.6	41	16	16	16	12	44.8	41	16	16	16	12	
24	9	9	9	9	43.8	40	15	15	15	15	45	40	15	15	15	15	
24	12	7	7	7	44	42	21	12	12	12	45.3	42	21	12	12	12	
24	12	9	7	7	44.3	41	20	15	12	12	45.5	41	20	15	12	12	

# 2. SYSTEM

## 5G42ED2BEA

### Non-Ducted

Comb.	Combinations					Total Cooling Capacity (Kbtu)	Capacity Indoor Percent (%)					Total Heating Capacity (Kbtu)	Capacity Indoor Percent (%)				
	Unit A	Unit B	Unit C	Unit D	Unit E		Unit A	Unit B	Unit C	Unit D	Unit E		Unit A	Unit B	Unit C	Unit D	Unit E
Two Zone	24	7	—	—	—	38.3	77	23	—	—	—	39.3	77	23	—	—	—
	18	9	—	—	—	38.0	67	33	—	—	—	38.9	67	33	—	—	—
	24	9	—	—	—	38.8	73	27	—	—	—	39.6	73	27	—	—	—
	18	12	—	—	—	38.4	60	40	—	—	—	39.1	60	40	—	—	—
	24	12	—	—	—	39.0	67	33	—	—	—	40.0	67	33	—	—	—
	18	15	—	—	—	38.6	45	55	—	—	—	39.6	45	55	—	—	—
	24	15	—	—	—	39.2	62	38	—	—	—	40.4	62	38	—	—	—
	18	18	—	—	—	39.4	50	50	—	—	—	40.3	50	50	—	—	—
	18	24	—	—	—	39.8	43	57	—	—	—	40.8	43	57	—	—	—
	24	24	—	—	—	40.7	50	50	—	—	—	41.7	50	50	—	—	—
Three Zone	9	9	9	—	—	37.4	33	33	33	—	—	39.3	33	33	33	—	—
	12	9	9	—	—	37.6	40	30	30	—	—	39.5	40	30	30	—	—
	12	9	7	—	—	37.8	43	32	25	—	—	39.7	43	32	25	—	—
	12	12	7	—	—	38.0	39	39	23	—	—	39.9	39	39	23	—	—
	12	12	9	—	—	38.5	36	36	27	—	—	40.4	36	36	27	—	—
	12	12	12	—	—	39.0	33	33	33	—	—	40.9	33	33	33	—	—
	15	7	7	—	—	37.8	52	24	24	—	—	39.7	52	24	24	—	—
	15	9	7	—	—	38.0	48	29	23	—	—	39.9	48	29	23	—	—
	15	9	9	—	—	38.2	45	27	27	—	—	40.1	45	27	27	—	—
	15	12	7	—	—	38.4	44	35	21	—	—	40.3	44	35	21	—	—
	15	12	9	—	—	38.6	42	33	25	—	—	40.5	42	33	25	—	—
	15	12	12	—	—	39.2	38	31	31	—	—	41.1	38	31	31	—	—
	15	15	7	—	—	39.4	41	41	19	—	—	41.3	41	41	19	—	—
	15	15	9	—	—	39.6	38	38	23	—	—	41.5	38	38	23	—	—
	15	15	12	—	—	39.8	36	36	29	—	—	41.7	36	36	29	—	—
	15	15	15	—	—	40.2	33	33	33	—	—	42.1	33	33	33	—	—
	18	7	7	—	—	38.3	56	22	22	—	—	40.2	56	22	22	—	—
	18	9	7	—	—	38.5	53	26	21	—	—	40.4	53	26	21	—	—
	18	9	9	—	—	38.7	50	25	25	—	—	40.6	50	25	25	—	—
	18	12	7	—	—	38.9	49	32	19	—	—	40.8	49	32	19	—	—
	18	12	9	—	—	39.1	46	31	23	—	—	41.0	46	31	23	—	—
	18	12	12	—	—	39.3	43	29	29	—	—	41.2	43	29	29	—	—
	18	15	7	—	—	39.0	45	38	18	—	—	40.9	45	38	18	—	—
	18	15	9	—	—	39.2	43	36	21	—	—	41.1	43	36	21	—	—
	18	15	12	—	—	39.4	40	33	27	—	—	41.3	40	33	27	—	—
	18	15	15	—	—	40.0	38	31	31	—	—	41.9	38	31	31	—	—
	18	18	7	—	—	39.5	42	42	16	—	—	41.4	42	42	16	—	—
	18	18	9	—	—	39.7	40	40	20	—	—	41.6	40	40	20	—	—
	18	18	12	—	—	39.9	38	38	25	—	—	41.8	38	38	25	—	—
	18	18	15	—	—	40.5	35	35	29	—	—	42.4	35	35	29	—	—
	18	18	18	—	—	41.1	33	33	33	—	—	43.0	33	33	33	—	—
	24	7	7	—	—	39.3	63	18	18	—	—	41.2	63	18	18	—	—
	24	9	7	—	—	39.5	60	23	18	—	—	41.4	60	23	18	—	—
	24	9	9	—	—	39.7	57	21	21	—	—	41.6	57	21	21	—	—
	24	12	7	—	—	39.9	56	28	16	—	—	41.8	56	28	16	—	—
	24	12	9	—	—	40.1	53	27	20	—	—	42.0	53	27	20	—	—
	24	12	12	—	—	40.5	50	25	25	—	—	42.4	50	25	25	—	—
	24	15	7	—	—	40.7	52	33	15	—	—	42.6	52	33	15	—	—
	24	15	9	—	—	40.9	50	31	19	—	—	42.8	50	31	19	—	—
	24	15	12	—	—	41.1	47	29	24	—	—	43.0	47	29	24	—	—
24	15	15	—	—	41.3	44	28	28	—	—	43.2	44	28	28	—	—	
24	18	7	—	—	41.0	49	37	14	—	—	42.9	49	37	14	—	—	
24	18	9	—	—	41.2	47	35	18	—	—	43.1	47	35	18	—	—	
24	18	12	—	—	41.8	44	33	22	—	—	43.7	44	33	22	—	—	
24	18	15	—	—	42.0	42	32	26	—	—	43.9	42	32	26	—	—	
Four Zone	7	7	7	7	—	38.4	25	25	25	25	—	40.0	25	25	25	25	—
	9	7	7	7	—	38.6	30	23	23	23	—	40.2	30	23	23	23	—
	9	9	7	7	—	39.4	28	28	22	22	—	41.0	28	28	22	22	—
	9	9	9	7	—	39.6	26	26	26	21	—	41.2	26	26	26	21	—
	9	9	9	9	—	40.4	25	25	25	25	—	42.0	25	25	25	25	—
	12	7	7	7	—	40.6	36	21	21	21	—	42.2	36	21	21	21	—
	12	9	7	7	—	41.4	34	26	20	20	—	43.0	34	26	20	20	—
	12	9	9	7	—	41.6	32	24	24	19	—	43.2	32	24	24	19	—
	12	9	9	9	—	41.8	31	23	23	23	—	43.4	31	23	23	23	—
	12	12	7	7	—	42.0	32	32	18	18	—	43.6	32	32	18	18	—
	12	12	9	7	—	42.2	30	30	23	18	—	43.8	30	30	23	18	—
	12	12	9	9	—	42.4	29	29	21	21	—	44.0	29	29	21	21	—
	12	12	12	7	—	42.6	28	28	28	16	—	44.2	28	28	28	16	—
	12	12	12	9	—	42.8	27	27	27	20	—	44.4	27	27	27	20	—
	12	12	12	12	—	43.0	25	25	25	25	—	44.6	25	25	25	25	—
	15	7	7	7	—	41.0	42	19	19	19	—	42.6	42	19	19	19	—
	15	9	7	7	—	41.2	39	24	18	18	—	42.8	39	24	18	18	—
	15	9	9	7	—	41.4	38	23	23	18	—	43.0	38	23	23	18	—
	15	9	9	9	—	41.6	36	21	21	21	—	43.2	36	21	21	21	—
	15	12	7	7	—	41.8	37	29	17	17	—	43.4	37	29	17	17	—
	15	12	9	7	—	42.0	35	28	21	16	—	43.6	35	28	21	16	—
	15	12	9	9	—	42.2	33	27	20	20	—	43.8	33	27	20	20	—
	15	12	12	7	—	42.4	33	26	26	15	—	44.0	33	26	26	15	—
	15	12	12	9	—	42.6	31	25	25	19	—	44.2	31	25	25	19	—
	15	12	12	12	—	42.8	29	24	24	24	—	44.4	29	24	24	24	—
	15	15	7	7	—	42.0	34	34	16	16	—	43.6	34	34	16	16	—
	15	15	9	7	—	42.2	33	33	20	15	—	43.8	33	33	20	15	—
	15	15	9	9	—	42.4	31	31	19	19	—	44.0	31	31	19	19	—
	15	15	12	9	—	42.6	29	29	24	18	—	44.2	29	29	24	18	—

# 2. SYSTEM

## 5G42ED2BEA

ENGLISH

### Non-Ducted (Continued)

Comb.	Combinations					Total Cooling Capacity (Kbtu)	Capacity Indoor Percent (%)					Total Heating Capacity (Kbtu)	Capacity Indoor Percent (%)				
	Unit A	Unit B	Unit C	Unit D	Unit E		Unit A	Unit B	Unit C	Unit D	Unit E		Unit A	Unit B	Unit C	Unit D	Unit E
Four Zone (Continued)	15	15	12	12	—	42.8	28	28	22	22	—	44.4	28	28	22	22	—
	15	15	15	12	—	43.0	26	26	26	21	—	44.6	26	26	26	21	—
	18	7	7	7	—	41.3	46	18	18	18	—	42.9	46	18	18	18	—
	18	9	7	7	—	41.5	44	22	17	17	—	43.1	44	22	17	17	—
	18	9	9	7	—	41.7	42	21	21	16	—	43.3	42	21	21	16	—
	18	9	9	9	—	41.9	40	20	20	20	—	43.5	40	20	20	20	—
	18	12	7	7	—	42.1	41	27	16	16	—	43.7	41	27	16	16	—
	18	12	9	7	—	42.3	39	26	20	15	—	43.9	39	26	20	15	—
	18	12	9	9	—	42.5	38	25	19	19	—	44.1	38	25	19	19	—
	18	12	12	7	—	42.7	37	24	24	14	—	44.3	37	24	24	14	—
	18	12	12	9	—	42.9	35	24	24	18	—	44.5	35	24	24	18	—
	18	12	12	12	—	43.1	33	22	22	22	—	44.7	33	22	22	22	—
	18	15	7	7	—	42.8	38	32	15	15	—	44.4	38	32	15	15	—
	18	15	9	7	—	43.0	37	31	18	14	—	44.6	37	31	18	14	—
	18	15	9	9	—	43.2	35	29	18	18	—	44.8	35	29	18	18	—
	18	15	12	7	—	43.4	35	29	23	13	—	45.0	35	29	23	13	—
	18	15	12	9	—	43.6	33	28	22	17	—	45.2	33	28	22	17	—
	18	15	12	12	—	43.8	32	26	21	21	—	45.4	32	26	21	21	—
	18	18	7	7	—	42.5	36	36	14	14	—	44.1	36	36	14	14	—
	18	18	9	7	—	42.7	35	35	17	13	—	44.3	35	35	17	13	—
	18	18	9	9	—	42.9	33	33	17	17	—	44.5	33	33	17	17	—
	18	18	12	7	—	43.1	33	33	22	13	—	44.7	33	33	22	13	—
	18	18	12	9	—	43.3	32	32	21	16	—	44.9	32	32	21	16	—
	24	7	7	7	—	42.0	53	16	16	16	—	43.6	53	16	16	16	—
24	9	7	7	—	42.2	51	19	15	15	—	43.8	51	19	15	15	—	
24	9	9	7	—	42.4	49	18	18	14	—	44.0	49	18	18	14	—	
24	9	9	9	—	42.6	47	18	18	18	—	44.2	47	18	18	18	—	
24	12	7	7	—	42.8	48	24	14	14	—	44.4	48	24	14	14	—	
24	12	9	7	—	43.0	46	23	17	13	—	44.6	46	23	17	13	—	
24	12	9	9	—	43.2	44	22	17	17	—	44.8	44	22	17	17	—	
24	12	12	7	—	43.4	44	22	22	13	—	45.0	44	22	22	13	—	
24	15	7	7	—	43.4	45	28	13	13	—	45.0	45	28	13	13	—	
24	15	9	7	—	43.6	44	27	16	13	—	45.2	44	27	16	13	—	
24	18	7	7	—	43.8	43	32	13	13	—	45.2	43	32	13	13	—	
Five Zone	7	7	7	7	7	40.6	20	20	20	20	20	41.5	20	20	20	20	20
	9	7	7	7	7	40.8	24	19	19	19	19	41.7	24	19	19	19	19
	9	9	7	7	7	41.0	23	23	18	18	18	41.9	23	23	18	18	18
	9	9	9	7	7	41.4	22	22	22	17	17	42.1	22	22	22	17	17
	9	9	9	9	7	41.6	21	21	21	21	16	42.3	21	21	21	21	16
	9	9	9	9	9	42.0	20	20	20	20	20	42.5	20	20	20	20	20
	12	7	7	7	7	41.0	30	18	18	18	18	42.2	30	18	18	18	18
	12	9	7	7	7	41.2	29	21	17	17	17	42.4	29	21	17	17	17
	12	9	9	7	7	41.4	27	20	20	16	16	42.6	27	20	20	16	16
	12	9	9	9	7	41.6	26	20	20	20	15	42.8	26	20	20	20	15
	12	9	9	9	9	41.8	25	19	19	19	19	43.0	25	19	19	19	19
	12	12	7	7	7	42.0	27	27	16	16	16	43.2	27	27	16	16	16
	12	12	9	7	7	42.2	26	26	19	15	15	43.4	26	26	19	15	15
	12	12	9	9	7	42.4	24	24	18	18	14	43.6	24	24	18	18	14
	12	12	9	9	9	42.6	24	24	18	18	18	43.8	24	24	18	18	18
	12	12	12	7	7	42.8	24	24	24	14	14	44.0	24	24	24	14	14
	12	12	12	9	7	43.0	23	23	23	17	13	44.2	23	23	23	17	13
	12	12	12	9	9	43.2	22	22	22	17	17	44.4	22	22	22	17	17
	12	12	12	12	7	43.4	22	22	22	22	13	44.6	22	22	22	22	13
	12	12	12	12	9	43.6	21	21	21	21	16	44.8	21	21	21	21	16
	12	12	12	12	12	43.8	20	20	20	20	20	45.0	20	20	20	20	20
	18	7	7	7	7	42.0	39	15	15	15	15	43.2	39	15	15	15	15
	18	9	7	7	7	42.2	38	19	15	15	15	43.4	38	19	15	15	15
	18	9	9	7	7	42.4	36	18	18	14	14	43.6	36	18	18	14	14
	18	9	9	9	7	42.6	35	17	17	17	13	43.8	35	17	17	17	13
	18	9	9	9	9	42.8	33	17	17	17	17	44.0	33	17	17	17	17
	18	12	7	7	7	43.0	35	24	14	14	14	44.2	35	24	14	14	14
	18	12	9	7	7	43.2	34	23	17	13	13	44.4	34	23	17	13	13
	18	12	9	9	7	43.4	33	22	16	16	13	44.6	33	22	16	16	13
	18	12	9	9	9	43.6	32	21	16	16	16	44.8	32	21	16	16	16
	18	12	12	7	7	43.8	32	21	21	13	13	45.0	32	21	21	13	13
	18	12	12	9	7	44.0	31	21	21	16	12	45.2	31	21	21	16	12
18	12	12	9	9	44.2	30	20	20	15	15	45.4	30	20	20	15	15	
18	15	7	7	7	43.4	33	28	13	13	13	44.6	33	28	13	13	13	
18	15	9	7	7	43.6	32	27	16	13	13	44.8	32	27	16	13	13	
18	15	9	9	7	43.8	31	26	16	16	12	45.0	31	26	16	16	12	
18	15	9	9	9	44.0	30	25	15	15	15	45.2	30	25	15	15	15	
18	15	12	7	7	44.2	31	25	20	12	12	45.4	31	25	20	12	12	
24	7	7	7	7	43.0	46	13	13	13	13	44.2	46	13	13	13	13	
24	9	7	7	7	43.2	44	17	13	13	13	44.4	44	17	13	13	13	
24	9	9	7	7	43.4	43	16	16	13	13	44.6	43	16	16	13	13	
24	9	9	9	7	43.6	41	16	16	16	12	44.8	41	16	16	16	12	
24	9	9	9	9	43.8	40	15	15	15	15	45.0	40	15	15	15	15	
24	12	7	7	7	44.0	42	21	12	12	12	45.2	42	21	12	12	12	
24	12	9	7	7	44.2	41	20	15	12	12	45.4	41	20	15	12	12	

# 2. SYSTEM

## 2.7 Capacity Tables

### 2G18AD2BEA

#### Ducted Cooling

TC: Total Capacity PI: Power Input

Outdoor Air Temp DB	Indoor Temperature (°F, DB)																							
	64 / 53			68 / 57			72 / 61			77 / 64			80 / 67			82 / 70			86 / 72			90 / 75		
	TC (Btu/h)	PI (W)	EER2	TC (Btu/h)	PI (W)	EER2	TC (Btu/h)	PI (W)	EER2	TC (Btu/h)	PI (W)	EER2	TC (Btu/h)	PI (W)	EER2	TC (Btu/h)	PI (W)	EER2	TC (Btu/h)	PI (W)	EER2	TC (Btu/h)	PI (W)	EER2
14°F (-10°C)	12,584	678	18.56	14,805	771	19.21	16,092	829	19.42	16,939	863	19.63	17,463	881	19.83	17,987	898	20.02	18,886	952	19.83	20,208	1,009	20.02
32°F (0°C)	13,108	714	18.37	15,422	811	19.01	16,763	872	19.22	17,645	908	19.42	18,191	927	19.62	18,736	946	19.82	19,673	1,002	19.63	21,050	1,062	19.81
50°F (10°C)	13,514	751	17.99	15,899	854	18.62	17,281	918	18.82	18,191	956	19.02	18,753	976	19.22	19,316	995	19.41	20,282	1,055	19.22	21,701	1,118	19.40
68°F (20°C)	13,249	835	15.87	15,587	949	16.43	16,942	1,020	16.61	17,834	1,063	16.78	18,386	1,084	16.96	18,937	1,106	17.12	19,884	1,172	16.96	21,276	1,243	17.12
86°F (30°C)	12,863	994	12.94	15,133	1,129	13.40	16,449	1,214	13.55	17,315	1,265	13.69	17,850	1,291	13.83	18,386	1,317	13.96	19,305	1,396	13.83	20,656	1,479	13.96
95°F (35°C)	12,250	1,212	10.11	14,412	1,377	10.46	15,666	1,481	10.58	16,490	1,543	10.69	17,000	1,574	10.80	17,510	1,606	10.91	18,386	1,702	10.80	19,672	1,804	10.90
104°F (40°C)	11,760	1,285	9.15	13,836	1,460	9.48	15,039	1,570	9.58	15,830	1,635	9.68	16,320	1,669	9.78	16,810	1,702	9.88	17,650	1,804	9.78	18,886	1,912	9.88
110°F (43°C)	11,055	1,323	8.35	13,006	1,504	8.65	14,137	1,617	8.74	14,881	1,684	8.84	15,341	1,719	8.93	15,801	1,753	9.01	16,591	1,858	8.93	17,752	1,970	9.01
115°F (46°C)	9,949	1,297	7.67	11,705	1,474	7.94	12,723	1,584	8.03	13,393	1,651	8.11	13,807	1,684	8.20	14,221	1,718	8.28	14,932	1,821	8.20	15,977	1,930	8.28

#### Ducted Heating

TC: Total Capacity PI: Power Input

Outdoor Air Temp DB	Indoor Temperature (°F, DB)																				
	60			64			68			70			72			75			79		
	TC (Btu/h)	PI (W)	COP	TC (Btu/h)	PI (W)	COP	TC (Btu/h)	PI (W)	COP	TC (Btu/h)	PI (W)	COP	TC (Btu/h)	PI (W)	COP	TC (Btu/h)	PI (W)	COP	TC (Btu/h)	PI (W)	COP
-4°F (-20°C)	14,086	2,118	1.95	13,946	2,161	1.89	13,808	2,228	1.82	13,538	2,345	1.69	13,267	2,392	1.63	13,134	2,416	1.59	13,003	2,440	1.56
0°F (-18°C)	14,827	2,161	2.01	14,680	2,205	1.95	14,535	2,273	1.87	14,250	2,393	1.74	13,965	2,441	1.68	13,825	2,465	1.64	13,687	2,490	1.61
5°F (-15°C)	15,608	2,205	2.07	15,453	2,250	2.01	15,300	2,320	1.93	15,000	2,442	1.80	14,700	2,491	1.73	14,553	2,516	1.70	14,407	2,541	1.66
14°F (-10°C)	16,590	2,032	2.39	16,426	2,074	2.32	16,263	2,138	2.23	15,945	2,250	2.08	15,626	2,295	1.99	15,469	2,318	1.96	15,315	2,341	1.92
23°F (-5°C)	17,542	1,855	2.77	17,368	1,893	2.69	17,196	1,951	2.58	16,859	2,054	2.41	16,522	2,095	2.31	16,357	2,116	2.27	16,193	2,137	2.22
32°F (0°C)	18,478	1,675	3.23	18,295	1,709	3.14	18,114	1,762	3.01	17,759	1,855	2.81	17,404	1,892	2.70	17,229	1,911	2.64	17,057	1,930	2.59
41°F (5°C)	19,414	1,496	3.80	19,222	1,526	3.69	19,031	1,573	3.54	18,658	1,656	3.30	18,285	1,689	3.17	18,102	1,706	3.11	17,921	1,723	3.05
47°F (8°C)	19,770	1,359	4.26	19,574	1,387	4.14	19,380	1,429	3.97	19,000	1,505	3.70	18,620	1,535	3.55	18,434	1,550	3.48	18,249	1,566	3.42
55°F (13°C)	20,363	1,332	4.48	20,161	1,359	4.35	19,961	1,401	4.18	19,570	1,475	3.89	19,179	1,504	3.74	18,987	1,519	3.66	18,797	1,534	3.59
65°F (18°C)	19,344	1,132	5.01	19,153	1,155	4.86	18,963	1,191	4.67	18,592	1,253	4.35	18,220	1,278	4.18	18,037	1,291	4.09	17,857	1,304	4.01
75°F (24°C)	18,377	1,007	5.35	18,195	1,028	5.19	18,015	1,060	4.98	17,662	1,116	4.64	17,309	1,138	4.46	17,136	1,149	4.37	16,964	1,161	4.28

#### Non-Ducted Cooling

TC: Total Capacity PI: Power Input

Outdoor Air Temp DB	Indoor Temperature (°F, DB)																							
	64 / 53			68 / 57			72 / 61			77 / 64			80 / 67			82 / 70			86 / 72			90 / 75		
	TC (Btu/h)	PI (W)	EER2	TC (Btu/h)	PI (W)	EER2	TC (Btu/h)	PI (W)	EER2	TC (Btu/h)	PI (W)	EER2	TC (Btu/h)	PI (W)	EER2	TC (Btu/h)	PI (W)	EER2	TC (Btu/h)	PI (W)	EER2	TC (Btu/h)	PI (W)	EER2
14°F (-10°C)	13,324	646	20.62	15,676	734	21.35	17,039	790	21.58	17,936	822	21.81	18,490	839	22.03	19,045	856	22.25	19,997	907	22.04	21,397	962	22.25
32°F (0°C)	13,879	680	20.41	16,329	773	21.13	17,749	831	21.36	18,683	866	21.58	19,261	883	21.80	19,838	901	22.02	20,830	955	21.81	22,289	1,012	22.02
50°F (10°C)	14,309	716	19.99	16,834	814	20.69	18,298	875	20.92	19,261	911	21.14	19,856	930	21.35	20,452	948	21.56	21,475	1,005	21.36	22,978	1,066	21.56
68°F (20°C)	14,028	796	17.63	16,504	904	18.26	17,939	972	18.45	18,883	1,013	18.65	19,467	1,033	18.84	20,051	1,054	19.03	21,054	1,117	18.85	22,527	1,184	19.02
86°F (30°C)	13,620	947	14.38	16,023	1,076	14.89	17,416	1,157	15.05	18,333	1,205	15.21	18,900	1,230	15.37	19,467	1,255	15.52	20,440	1,330	15.37	21,871	1,410	15.52
95°F (35°C)	12,971	1,155	11.23	15,260	1,312	11.63	16,587	1,411	11.75	17,460	1,470	11.88	18,000	1,500	12.00	18,540	1,530	12.12	19,467	1,622	12.00	20,830	1,719	12.12
104°F (40°C)	12,452	1,224	10.17	14,650	1,391	10.53	15,924	1,496	10.64	16,762	1,558	10.76	17,280	1,590	10.87	17,798	1,622	10.97	18,688	1,719	10.87	19,997	1,822	10.97
110°F (43°C)	11,705	1,261	9.28	13,771	1,433	9.61	14,968	1,541	9.71	15,756	1,605	9.82	16,243	1,638	9.92	16,730	1,670	10.02	17,567	1,771	9.92	18,797	1,877	10.01
115°F (46°C)	10,535	1,236	8.52	12,394	1,404	8.83	13,471	1,510	8.92	14,180	1,573	9.02	14,619	1,605	9.11	15,057	1,637	9.20	15,810	1,735	9.11	16,917	1,839	9.20

#### Non-Ducted Heating

TC: Total Capacity PI: Power Input

Outdoor Air Temp DB	Indoor Temperature (°F, DB)																				
	60			64			68			70			72			75			79		
	TC (Btu/h)	PI (W)	COP	TC (Btu/h)	PI (W)	COP	TC (Btu/h)	PI (W)	COP	TC (Btu/h)	PI (W)	COP	TC (Btu/h)	PI (W)	COP	TC (Btu/h)	PI (W)	COP	TC (Btu/h)	PI (W)	COP
-4°F (-20°C)	15,588	2,344	1.95	15,434	2,392	1.89	15,281	2,465	1.82	14,982	2,595	1.69	14,682	2,647	1.63	14,535	2,674	1.54	14,390	2,700	1.56
0°F (-18°C)	16,409	2,392	2.01	16,246	2,440	1.95	16,085	2,516	1.87	15,770	2,648	1.74	15,455	2,701	1.68	15,300	2,728	1.61	15,147	2,755	1.61
5°F (-15°C)	17,272	2,440	2.07	17,101	2,490	2.01	16,932	2,567	1.93	16,600	2,702	1.80	16,268	2,756	1.73	16,105	2,784	1.66	15,944	2,812	1.66
14°F (-10°C)	18,354	2,258	2.38	18,172	2,304	2.31	17,992	2,375	2.22	17,640	2,500	2.07	17,287	2,550	1.99	17,114	2,575	1.92	16,943	2,601	1.91
23°F (-5°C)	19,401	2,070	2.75	19,209	2,112	2.66	19,019	2,178	2.56	18,646	2,292	2.38	18,273	2,338	2.29	18,090	2,361	2.22	17,909	2,385	2.20
32°F (0°C)	20,431	1,880	3.18	20,229	1,918	3.09	20,028	1,978	2.97	19,636	2,082	2.76	19,243	2,123	2.66	19,050	2,145	2.59	18,860	2,166	2.55
41°F (5°C)	21,461	1,690	3.72	21,248	1,724	3.61	21,038	1,778	3.47	20,625	1,871	3.23	20,213	1,909	3.10	20,011	1,928	3.03	19,811	1,947	2.98
47°F (8°C)	21,851	1,544	4.15	21,634	1,575	4.02	21,420	1,624	3.87	21,000	1,709	3.60	20,580	1,743	3.46	20,374	1,761	3.39	20,170	1,778	3.32
55°F (13°C)	22,506	1,513	4.36	22,283	1,544	4.23	22,063	1,591	4.06	21,630	1,675	3.78	21,197	1,709	3.64	20,985	1,726	3.57	20,776	1,743	3.49
65°F (18°C)	21,381	1,286	4.87	21,169	1,312	4.73	20,959	1,353	4.54	20,549	1,424	4.23	20,138	1,452	4.06	19,936	1,467	3.99	19,737	1,481	3.90
75°F (24°C)	20,312	1,144	5.20	20,111	1,168	5.05	19,911	1,204	4.85	19,521	1,267	4.51	19,131	1,293	4.34	18,939	1,305	4.27	18,750	1,319	4.17

# 2. SYSTEM

## 3G24AD2BEA

ENGLISH

### Ducted Cooling

TC: Total Capacity PI: Power Input

Outdoor Air Temp DB	Indoor Temperature (°F, DB)																							
	64 / 53			68 / 57			72 / 61			77 / 64			80 / 67			82 / 70			86 / 72			90 / 75		
	TC (Btu/h)	PI (W)	EER2	TC (Btu/h)	PI (W)	EER2	TC (Btu/h)	PI (W)	EER2	TC (Btu/h)	PI (W)	EER2	TC (Btu/h)	PI (W)	EER2	TC (Btu/h)	PI (W)	EER2	TC (Btu/h)	PI (W)	EER2	TC (Btu/h)	PI (W)	EER2
14°F (-10°C)	17,766	985	18.04	20,901	1,119	18.68	22,718	1,203	18.88	23,914	1,253	19.08	24,654	1,279	19.28	25,393	1,304	19.47	26,663	1,383	19.28	28,529	1,466	19.47
32°F (0°C)	18,506	1,036	17.86	21,772	1,178	18.49	23,665	1,266	18.69	24,910	1,319	18.88	25,681	1,346	19.08	26,451	1,373	19.26	27,774	1,455	19.08	29,718	1,543	19.26
50°F (10°C)	19,078	1,091	17.49	22,445	1,240	18.10	24,397	1,333	18.30	25,681	1,389	18.49	26,475	1,417	18.68	27,269	1,445	18.87	28,633	1,532	18.69	30,637	1,624	18.87
68°F (20°C)	18,704	1,212	15.43	22,005	1,378	15.97	23,918	1,481	16.15	25,177	1,543	16.32	25,956	1,574	16.49	26,735	1,606	16.65	28,071	1,702	16.49	30,036	1,804	16.65
86°F (30°C)	18,159	1,443	12.58	21,364	1,640	13.03	23,222	1,763	13.17	24,444	1,837	13.31	25,200	1,874	13.45	25,956	1,912	13.58	27,254	2,026	13.45	29,162	2,148	13.58
95°F (35°C)	17,295	1,760	9.83	20,347	2,000	10.17	22,116	2,150	10.28	23,280	2,240	10.39	24,000	2,286	10.50	24,720	2,331	10.60	25,956	2,471	10.50	27,773	2,620	10.60
104°F (40°C)	16,603	1,865	8.90	19,533	2,120	9.21	21,231	2,279	9.31	22,349	2,374	9.41	23,040	2,423	9.51	23,731	2,471	9.60	24,918	2,620	9.51	26,662	2,777	9.60
110°F (43°C)	15,607	1,921	8.12	18,361	2,183	8.41	19,957	2,348	8.50	21,008	2,446	8.59	21,658	2,496	8.68	22,307	2,545	8.76	23,423	2,698	8.68	25,062	2,860	8.76
115°F (46°C)	14,046	1,883	7.46	16,525	2,140	7.72	17,962	2,301	7.81	18,907	2,397	7.89	19,492	2,446	7.97	20,077	2,495	8.05	21,080	2,644	7.97	22,556	2,803	8.05

### Ducted Heating

TC: Total Capacity PI: Power Input

Outdoor Air Temp DB	Indoor Temperature (°F, DB)																				
	60			64			68			70			72			75			79		
	TC (Btu/h)	PI (W)	COP	TC (Btu/h)	PI (W)	COP	TC (Btu/h)	PI (W)	COP	TC (Btu/h)	PI (W)	COP	TC (Btu/h)	PI (W)	COP	TC (Btu/h)	PI (W)	COP	TC (Btu/h)	PI (W)	COP
-4°F (-20°C)	15,964	2,400	1.95	15,806	2,449	1.89	15,649	2,525	1.82	15,343	2,658	1.69	15,036	2,711	1.63	14,885	2,738	1.59	14,736	2,765	1.56
0°F (-18°C)	16,804	2,449	2.01	16,638	2,499	1.95	16,473	2,576	1.87	16,150	2,712	1.74	15,827	2,766	1.68	15,669	2,794	1.64	15,512	2,822	1.61
5°F (-15°C)	17,689	2,499	2.07	17,513	2,550	2.01	17,340	2,629	1.93	17,000	2,767	1.80	16,660	2,823	1.73	16,493	2,851	1.70	16,328	2,879	1.66
14°F (-10°C)	19,587	2,368	2.42	19,393	2,416	2.35	19,201	2,491	2.26	18,824	2,622	2.10	18,448	2,674	2.02	18,263	2,701	1.98	18,081	2,728	1.94
23°F (-5°C)	21,449	2,231	2.82	21,237	2,277	2.73	21,027	2,347	2.62	20,614	2,471	2.44	20,202	2,520	2.35	20,000	2,546	2.30	19,800	2,571	2.26
32°F (0°C)	23,294	2,093	3.26	23,063	2,135	3.16	22,835	2,201	3.04	22,387	2,317	2.83	21,940	2,364	2.72	21,720	2,387	2.67	21,503	2,411	2.61
41°F (5°C)	25,139	1,954	3.77	24,890	1,994	3.66	24,644	2,055	3.51	24,161	2,164	3.27	23,677	2,207	3.14	23,441	2,229	3.08	23,206	2,251	3.02
47°F (8°C)	26,013	1,838	4.15	25,755	1,875	4.02	25,500	1,933	3.87	25,000	2,035	3.60	24,500	2,076	3.46	24,255	2,096	3.39	24,012	2,117	3.32
55°F (13°C)	26,793	1,801	4.36	26,528	1,838	4.23	26,265	1,894	4.06	25,750	1,994	3.78	25,235	2,034	3.64	24,983	2,054	3.56	24,733	2,075	3.49
65°F (18°C)	25,453	1,531	4.87	25,201	1,562	4.73	24,952	1,610	4.54	24,463	1,695	4.23	23,973	1,729	4.06	23,734	1,746	3.98	23,496	1,764	3.90
75°F (24°C)	24,181	1,362	5.20	23,941	1,390	5.05	23,704	1,433	4.85	23,239	1,509	4.51	22,775	1,539	4.34	22,547	1,554	4.25	22,321	1,570	4.17

### Non-Ducted Cooling

TC: Total Capacity PI: Power Input

Outdoor Air Temp DB	Indoor Temperature (°F, DB)																							
	64 / 53			68 / 57			72 / 61			77 / 64			80 / 67			82 / 70			86 / 72			90 / 75		
	TC (Btu/h)	PI (W)	EER2	TC (Btu/h)	PI (W)	EER2	TC (Btu/h)	PI (W)	EER2	TC (Btu/h)	PI (W)	EER2	TC (Btu/h)	PI (W)	EER2	TC (Btu/h)	PI (W)	EER2	TC (Btu/h)	PI (W)	EER2	TC (Btu/h)	PI (W)	EER2
14°F (-10°C)	17,766	862	20.62	20,901	979	21.35	22,718	1,053	21.58	23,914	1,097	21.81	24,654	1,119	22.03	25,393	1,141	22.25	26,663	1,210	22.04	28,529	1,282	22.25
32°F (0°C)	18,506	907	20.41	21,772	1,031	21.13	23,665	1,108	21.36	24,910	1,154	21.58	25,681	1,178	21.80	26,451	1,201	22.02	27,774	1,273	21.81	29,718	1,350	22.02
50°F (10°C)	19,078	955	19.99	22,445	1,085	20.69	24,397	1,166	20.92	25,681	1,215	21.14	26,475	1,240	21.35	27,269	1,265	21.56	28,633	1,341	21.36	30,637	1,421	21.56
68°F (20°C)	18,704	1,061	17.63	22,005	1,205	18.26	23,918	1,296	18.45	25,177	1,350	18.65	25,956	1,378	18.84	26,735	1,405	19.03	28,071	1,489	18.85	30,036	1,579	19.02
86°F (30°C)	18,159	1,263	14.38	21,364	1,435	14.89	23,222	1,543	15.05	24,444	1,607	15.21	25,200	1,640	15.37	25,956	1,673	15.52	27,254	1,773	15.37	29,162	1,880	15.52
95°F (35°C)	17,295	1,540	11.23	20,347	1,750	11.63	22,116	1,882	11.75	23,280	1,960	11.88	24,000	2,000	12.00	24,720	2,040	12.12	25,956	2,162	12.00	27,773	2,292	12.12
104°F (40°C)	16,603	1,632	10.17	19,533	1,855	10.53	21,231	1,994	10.64	22,349	2,078	10.76	23,040	2,120	10.87	23,731	2,162	10.97	24,918	2,292	10.87	26,662	2,430	10.97
110°F (43°C)	15,607	1,681	9.28	18,361	1,911	9.61	19,957	2,054	9.71	21,008	2,140	9.82	21,658	2,184	9.92	22,307	2,227	10.02	23,423	2,361	9.92	25,062	2,503	10.01
115°F (46°C)	14,046	1,648	8.52	16,525	1,872	8.83	17,962	2,013	8.92	18,907	2,097	9.02	19,492	2,140	9.11	20,077	2,183	9.20	21,080	2,314	9.11	22,556	2,453	9.20

### Non-Ducted Heating

TC: Total Capacity PI: Power Input

Outdoor Air Temp DB	Indoor Temperature (°F, DB)																				
	60			64			68			70			72			75			79		
	TC (Btu/h)	PI (W)	COP	TC (Btu/h)	PI (W)	COP	TC (Btu/h)	PI (W)	COP	TC (Btu/h)	PI (W)	COP	TC (Btu/h)	PI (W)	COP	TC (Btu/h)	PI (W)	COP	TC (Btu/h)	PI (W)	COP
-4°F (-20°C)	16,527	2,485	1.95	16,364	2,536	1.89	16,202	2,614	1.82	15,884	2,752	1.69	15,566	2,807	1.63	15,411	2,835	1.59	15,257	2,863	1.56
0°F (-18°C)	17,397	2,536	2.01	17,225	2,587	1.95	17,054	2,667	1.87	16,720	2,808	1.74	16,386	2,864	1.68	16,222	2,893	1.64	16,060	2,921	1.61
5°F (-15°C)	18,313	2,587	2.07	18,132	2,640	2.01	17,952	2,722	1.93	17,600	2,865	1.80	17,248	2,922	1.73	17,076	2,952	1.70	16,905	2,981	1.66
14°F (-10°C)	20,531	2,436	2.47	20,327	2,486	2.40	20,126	2,563	2.30	19,731	2,698	2.14	19,337	2,751	2.06	19,143	2,779	2.02	18,952	2,807	1.98
23°F (-5°C)	22,712	2,280	2.92	22,487	2,326	2.83	22,264	2,398	2.72	21,828	2,524	2.53	21,391	2,575	2.43	21,177	2,601	2.39	20,966	2,627	2.34
32°F (0°C)	24,875	2,121	3.44	24,628	2,164	3.34	24,385	2,231	3.20	23,906	2,348	2.98	23,428	2,395	2.87	23,194	2,419	2.81	22,962	2,443	2.75
41°F (5°C)	27,038	1,962	4.04	26,770	2,002	3.92	26,505	2,063	3.76	25,985	2,172	3.51	25,465	2,215	3.37	25,211	2,238	3.30	24,959	2,260	3.24
47°F (8°C)	28,094	1,832	4.49	27,815	1,869	4.36	27,540	1,927	4.19	27,000	2,029	3.90	26,460	2,069	3.75	26,195	2,090	3.67	25,933	2,111	3.60
55°F (13°C)	28,936	1,795	4.72	28,650	1,832	4.58	28,366	1,889	4.40	27,810	1,988	4.10	27,254	2,028	3.94	26,981	2,048	3.86	26,711	2,069	3.78
65°F (18°C)	27,490	1,526	5.28	27,217	1,557	5.12	26,948	1,605	4.92	26,420	1,690	4.58	25,891	1,724	4.40	25,632	1,741	4.31	25,376	1,758	4.23
75°F (24°C)	26,115	1,358	5.63	25,857	1,386	5.47	25,600	1,429	5.25	25,099	1,504	4.89	24,597	1,534	4.70	24,351	1,549	4.61	24,107	1,565	4.51

# 2. SYSTEM

## 4G36AD2BEA

### Ducted Cooling

TC: Total Capacity PI: Power Input

Outdoor Air Temp DB	Indoor Temperature (°F, DB)																							
	64 / 53			68 / 57			72 / 61			77 / 64			80 / 67			82 / 70			86 / 72			90 / 75		
	TC (Btu/h)	PI (W)	EER2	TC (Btu/h)	PI (W)	EER2	TC (Btu/h)	PI (W)	EER2	TC (Btu/h)	PI (W)	EER2	TC (Btu/h)	PI (W)	EER2	TC (Btu/h)	PI (W)	EER2	TC (Btu/h)	PI (W)	EER2	TC (Btu/h)	PI (W)	EER2
14°F (-10°C)	24,724	1,635	15.12	29,087	1,858	15.66	31,616	1,998	15.83	33,280	2,081	15.99	34,310	2,123	16.16	35,339	2,166	16.32	37,106	2,296	16.16	39,703	2,434	16.31
32°F (0°C)	25,754	1,721	14.96	30,299	1,956	15.49	32,934	2,103	15.66	34,667	2,191	15.83	35,739	2,235	15.99	36,811	2,280	16.15	38,652	2,417	15.99	41,358	2,562	16.14
50°F (10°C)	26,551	1,812	14.66	31,236	2,059	15.17	33,952	2,214	15.34	35,739	2,306	15.50	36,845	2,353	15.66	37,950	2,400	15.81	39,847	2,544	15.66	42,637	2,697	15.81
68°F (20°C)	26,030	2,013	12.93	30,624	2,287	13.39	33,287	2,460	13.53	35,038	2,562	13.68	36,122	2,614	13.82	37,206	2,667	13.95	39,066	2,827	13.82	41,801	2,996	13.95
86°F (30°C)	25,272	2,396	10.55	29,732	2,723	10.92	32,317	2,928	11.04	34,018	3,050	11.15	35,070	3,112	11.27	36,122	3,175	11.38	37,928	3,365	11.27	40,583	3,567	11.38
95°F (35°C)	24,068	2,922	8.24	28,316	3,321	8.53	30,778	3,571	8.62	32,398	3,720	8.71	33,400	3,795	8.80	34,402	3,871	8.89	36,122	4,104	8.80	38,651	4,350	8.89
104°F (40°C)	23,106	3,098	7.46	27,183	3,520	7.72	29,547	3,785	7.81	31,102	3,943	7.89	32,064	4,023	7.97	33,026	4,104	8.05	34,677	4,350	7.97	37,105	4,611	8.05
110°F (43°C)	21,719	3,191	6.81	25,552	3,626	7.05	27,774	3,899	7.12	29,236	4,061	7.20	30,140	4,144	7.27	31,044	4,227	7.34	32,597	4,480	7.28	34,878	4,749	7.34
115°F (46°C)	19,547	3,127	6.25	22,997	3,553	6.47	24,997	3,821	6.54	26,312	3,980	6.61	27,126	4,061	6.68	27,940	4,142	6.75	29,337	4,391	6.68	31,391	4,654	6.74

### Ducted Heating

TC: Total Capacity PI: Power Input

Outdoor Air Temp DB	Indoor Temperature (°F, DB)																							
	60			64			68			70			72			75			79					
	TC (Btu/h)	PI (W)	COP	TC (Btu/h)	PI (W)	COP	TC (Btu/h)	PI (W)	COP	TC (Btu/h)	PI (W)	COP	TC (Btu/h)	PI (W)	COP	TC (Btu/h)	PI (W)	COP	TC (Btu/h)	PI (W)	COP	TC (Btu/h)	PI (W)	COP
-4°F (-20°C)	19,720	2,965	1.95	19,525	3,025	1.89	19,332	3,119	1.82	18,953	3,283	1.69	18,573	3,349	1.63	18,388	3,382	1.59	18,204	3,416	1.56			
0°F (-18°C)	20,758	3,025	2.01	20,552	3,087	1.95	20,349	3,183	1.87	19,950	3,350	1.74	19,551	3,417	1.68	19,355	3,451	1.64	19,162	3,486	1.61			
5°F (-15°C)	21,851	3,087	2.07	21,634	3,150	2.01	21,420	3,248	1.93	21,000	3,419	1.80	20,580	3,487	1.73	20,374	3,522	1.70	20,170	3,557	1.66			
14°F (-10°C)	25,262	3,052	2.43	25,012	3,114	2.35	24,764	3,211	2.26	24,279	3,380	2.10	23,793	3,447	2.02	23,555	3,482	1.98	23,320	3,516	1.94			
23°F (-5°C)	28,630	3,011	2.79	28,347	3,072	2.70	28,066	3,167	2.60	27,516	3,334	2.42	26,966	3,401	2.32	26,696	3,435	2.28	26,429	3,469	2.23			
32°F (0°C)	31,976	2,966	3.16	31,660	3,027	3.06	31,346	3,121	2.94	30,732	3,285	2.74	30,117	3,350	2.63	29,816	3,384	2.58	29,518	3,418	2.53			
41°F (5°C)	35,323	2,922	3.54	34,973	2,982	3.44	34,627	3,074	3.30	33,948	3,236	3.07	33,269	3,300	2.95	32,936	3,333	2.90	32,607	3,367	2.84			
47°F (8°C)	37,042	2,855	3.80	36,675	2,913	3.69	36,312	3,003	3.54	35,600	3,161	3.30	34,888	3,224	3.17	34,539	3,256	3.11	34,194	3,289	3.05			
55°F (13°C)	38,153	2,798	4.00	37,775	2,855	3.88	37,401	2,943	3.72	36,668	3,098	3.47	35,935	3,160	3.33	35,575	3,191	3.27	35,220	3,223	3.20			
65°F (18°C)	36,245	2,378	4.47	35,887	2,426	4.33	35,531	2,501	4.16	34,835	2,633	3.88	34,138	2,686	3.72	33,797	2,713	3.65	33,459	2,740	3.58			
75°F (24°C)	34,433	2,116	4.77	34,092	2,160	4.63	33,755	2,226	4.44	33,093	2,343	4.14	32,431	2,390	3.98	32,107	2,414	3.90	31,786	2,438	3.82			

### Non-Ducted Cooling

TC: Total Capacity PI: Power Input

Outdoor Air Temp DB	Indoor Temperature (°F, DB)																							
	64 / 53			68 / 57			72 / 61			77 / 64			80 / 67			82 / 70			86 / 72			90 / 75		
	TC (Btu/h)	PI (W)	EER2	TC (Btu/h)	PI (W)	EER2	TC (Btu/h)	PI (W)	EER2	TC (Btu/h)	PI (W)	EER2	TC (Btu/h)	PI (W)	EER2	TC (Btu/h)	PI (W)	EER2	TC (Btu/h)	PI (W)	EER2	TC (Btu/h)	PI (W)	EER2
14°F (-10°C)	25,908	1,508	17.18	30,480	1,713	17.79	33,131	1,842	17.98	34,875	1,919	18.17	35,953	1,958	18.36	37,032	1,997	18.54	38,883	2,117	18.37	41,605	2,244	18.54
32°F (0°C)	26,988	1,587	17.01	31,750	1,803	17.61	34,511	1,939	17.80	36,328	2,020	17.98	37,451	2,061	18.17	38,575	2,102	18.35	40,504	2,229	18.17	43,339	2,362	18.35
50°F (10°C)	27,823	1,671	16.65	32,732	1,898	17.24	35,579	2,041	17.43	37,451	2,126	17.61	38,610	2,170	17.79	39,768	2,213	17.97	41,756	2,346	17.80	44,679	2,487	17.97
68°F (20°C)	27,277	1,856	14.70	32,091	2,109	15.21	34,881	2,268	15.38	36,717	2,363	15.54	37,853	2,411	15.70	38,988	2,459	15.86	40,937	2,607	15.71	43,803	2,763	15.85
86°F (30°C)	26,483	2,210	11.98	31,156	2,511	12.41	33,865	2,700	12.54	35,648	2,813	12.67	36,750	2,870	12.80	37,853	2,927	12.93	39,745	3,103	12.81	42,527	3,289	12.93
95°F (35°C)	25,221	2,695	9.36	29,672	3,062	9.69	32,253	3,293	9.79	33,950	3,430	9.90	35,000	3,500	10.00	36,050	3,570	10.10	37,853	3,784	10.00	40,502	4,011	10.10
104°F (40°C)	24,213	2,857	8.48	28,485	3,246	8.78	30,962	3,490	8.87	32,592	3,636	8.96	33,600	3,710	9.06	34,608	3,784	9.15	36,338	4,011	9.06	38,882	4,252	9.14
110°F (43°C)	22,760	2,942	7.74	26,776	3,343	8.01	29,105	3,595	8.10	30,636	3,745	8.18	31,584	3,821	8.27	32,532	3,898	8.35	34,158	4,132	8.27	36,549	4,379	8.35
115°F (46°C)	20,484	2,883	7.10	24,099	3,277	7.35	26,194	3,523	7.43	27,573	3,670	7.51	28,426	3,745	7.59	29,278	3,820	7.66	30,742	4,049	7.59	32,894	4,292	7.66

### Non-Ducted Heating

TC: Total Capacity PI: Power Input

Outdoor Air Temp DB	Indoor Temperature (°F, DB)																							
	60			64			68			70			72			75			79					
	TC (Btu/h)	PI (W)	COP	TC (Btu/h)	PI (W)	COP	TC (Btu/h)	PI (W)	COP	TC (Btu/h)	PI (W)	COP	TC (Btu/h)	PI (W)	COP	TC (Btu/h)	PI (W)	COP	TC (Btu/h)	PI (W)	COP	TC (Btu/h)	PI (W)	COP
-4°F (-20°C)	21,598	3,247	1.95	21,384	3,314	1.89	21,173	3,416	1.82	20,758	3,596	1.69	20,342	3,668	1.63	20,139	3,704	1.59	19,938	3,741	1.56			
0°F (-18°C)	22,735	3,314	2.01	22,510	3,381	1.95	22,287	3,486	1.87	21,850	3,669	1.74	21,413	3,743	1.68	21,199	3,780	1.64	20,987	3,818	1.61			
5°F (-15°C)	23,932	3,381	2.07	23,695	3,450	2.01	23,460	3,557	1.93	23,000	3,744	1.80	22,540	3,819	1.73	22,315	3,857	1.70	22,091	3,896	1.66			
14°F (-10°C)	26,992	3,310	2.39	26,725	3,378	2.32	26,460	3,482	2.23	25,941	3,665	2.07	25,422	3,739	1.99	25,168	3,776	1.95	24,916	3,814	1.91			
23°F (-5°C)	30,004	3,232	2.72	29,707	3,298	2.64	29,413	3,400	2.53	28,836	3,579	2.36	28,259	3,651	2.27	27,977	3,687	2.22	27,697	3,724	2.18			
32°F (0°C)	32,993	3,151	3.07	32,666	3,216	2.98	32,342	3,315	2.86	31,708	3,490	2.66	31,074	3,559	2.56	30,763	3,595	2.51	30,456	3,631	2.46			
41°F (5°C)	35,981	3,070	3.43	35,625	3,133	3.33	35,272	3,230	3.20	34,580	3,400	2.98	33,889	3,468	2.86	33,550	3,502	2.81	33,214	3,537	2.75			
47°F (8°C)	37,458	2,977	3.69	37,087	3,038	3.58	36,720	3,132	3.44	36,000	3,296	3.20	35,280	3,362	3.07	34,927	3,396	3.01	34,578	3,430	2.95			
55°F (13°C)	38,582	2,917	3.88	38,200	2,977	3.76	37,822	3,069	3.61	37,080	3,230	3.36	36,338	3,295	3.23	35,975	3,328	3.17	35,615	3,361	3.10			

# 2. SYSTEM

## 2G20ED2BEA

ENGLISH

### Ducted Cooling

TC: Total Capacity PI: Power Input

Outdoor Air Temp DB	Indoor Temperature (°F, DB)																							
	64 / 53			68 / 57			72 / 61			77 / 64			80 / 67			82 / 70			86 / 72			90 / 75		
	TC (Btu/h)	PI (W)	EER2	TC (Btu/h)	PI (W)	EER2	TC (Btu/h)	PI (W)	EER2	TC (Btu/h)	PI (W)	EER2	TC (Btu/h)	PI (W)	EER2	TC (Btu/h)	PI (W)	EER2	TC (Btu/h)	PI (W)	EER2	TC (Btu/h)	PI (W)	EER2
14°F (-10°C)	12,584	678	18.56	14,805	771	19.21	16,092	829	19.42	16,939	863	19.63	17,463	881	19.83	17,987	898	20.02	18,886	952	19.83	20,208	1,009	20.02
32°F (0°C)	13,108	714	18.37	15,422	811	19.01	16,763	872	19.22	17,645	908	19.42	18,191	927	19.62	18,736	946	19.82	19,673	1,002	19.63	21,050	1,062	19.81
50°F (10°C)	13,514	751	17.99	15,899	854	18.62	17,281	918	18.82	18,191	956	19.02	18,753	976	19.22	19,316	995	19.41	20,282	1,055	19.22	21,701	1,118	19.40
68°F (20°C)	13,249	835	15.87	15,587	949	16.43	16,942	1,020	16.61	17,834	1,063	16.78	18,386	1,084	16.96	18,937	1,106	17.12	19,884	1,172	16.96	21,276	1,243	17.12
86°F (30°C)	12,863	994	12.94	15,133	1,129	13.40	16,449	1,214	13.55	17,315	1,265	13.69	17,850	1,291	13.83	18,386	1,317	13.96	19,305	1,396	13.83	20,656	1,479	13.96
95°F (35°C)	12,250	1,212	10.11	14,412	1,377	10.46	15,666	1,481	10.58	16,490	1,543	10.69	17,000	1,574	10.80	17,510	1,606	10.91	18,386	1,702	10.80	19,672	1,804	10.90
104°F (40°C)	11,760	1,285	9.15	13,836	1,460	9.48	15,039	1,570	9.58	15,830	1,635	9.68	16,320	1,669	9.78	16,810	1,702	9.88	17,650	1,804	9.78	18,886	1,912	9.88
110°F (43°C)	11,055	1,323	8.35	13,006	1,504	8.65	14,137	1,617	8.74	14,881	1,684	8.84	15,341	1,719	8.93	15,801	1,753	9.01	16,591	1,858	8.93	17,752	1,970	9.01
115°F (46°C)	9,949	1,297	7.67	11,705	1,474	7.94	12,723	1,584	8.03	13,393	1,651	8.11	13,807	1,684	8.20	14,221	1,718	8.28	14,932	1,821	8.20	15,977	1,930	8.28

### Ducted Heating

TC: Total Capacity PI: Power Input

Outdoor Air Temp DB	Indoor Temperature (°F, DB)																							
	60			64			68			70			72			75			79					
	TC (Btu/h)	PI (W)	COP	TC (Btu/h)	PI (W)	COP	TC (Btu/h)	PI (W)	COP	TC (Btu/h)	PI (W)	COP	TC (Btu/h)	PI (W)	COP	TC (Btu/h)	PI (W)	COP	TC (Btu/h)	PI (W)	COP	TC (Btu/h)	PI (W)	COP
-22°F (-30°C)	14,630	2,712	1.58	14,486	2,767	1.53	14,342	2,853	1.47	14,621	3,003	1.43	13,780	3,063	1.32	13,642	3,094	1.29	13,506	3,125	1.27	13,506	3,125	1.27
-15°F (-26°C)	17,842	2,767	1.89	17,665	2,824	1.83	17,490	2,911	1.76	16,245	3,064	1.55	16,805	3,126	1.58	16,637	3,157	1.54	16,470	3,188	1.51	16,470	3,188	1.51
-5°F (-21°C)	18,781	2,824	1.95	18,595	2,881	1.89	18,411	2,970	1.82	18,050	3,127	1.69	17,689	3,189	1.63	17,512	3,221	1.59	17,337	3,253	1.56	17,337	3,253	1.56
0°F (-18°C)	19,770	2,881	2.01	19,574	2,940	1.95	19,380	3,031	1.87	19,000	3,191	1.74	18,620	3,254	1.68	18,434	3,287	1.64	18,249	3,320	1.61	18,249	3,320	1.61
5°F (-15°C)	20,810	2,940	2.07	20,604	3,000	2.01	20,400	3,093	1.93	20,000	3,256	1.80	19,600	3,321	1.73	19,404	3,354	1.70	19,210	3,388	1.66	19,210	3,388	1.66
14°F (-10°C)	21,366	2,667	2.35	21,155	2,722	2.28	20,945	2,806	2.19	20,535	2,954	2.04	20,124	3,013	1.96	19,923	3,043	1.92	19,724	3,073	1.88	19,724	3,073	1.88
23°F (-5°C)	21,881	2,388	2.68	21,665	2,437	2.60	21,450	2,513	2.50	21,030	2,645	2.33	20,609	2,698	2.24	20,403	2,725	2.19	20,199	2,752	2.15	20,199	2,752	2.15
32°F (0°C)	22,375	2,107	3.11	22,154	2,150	3.02	21,934	2,216	2.90	21,504	2,333	2.70	21,074	2,379	2.60	20,864	2,403	2.54	20,655	2,427	2.49	20,655	2,427	2.49
41°F (5°C)	22,869	1,825	3.67	22,643	1,862	3.56	22,419	1,920	3.42	21,979	2,021	3.19	21,540	2,061	3.06	21,324	2,082	3.00	21,111	2,103	2.94	21,111	2,103	2.94
47°F (8°C)	22,891	1,617	4.15	22,664	1,650	4.02	22,440	1,701	3.87	22,000	1,791	3.60	21,560	1,826	3.46	21,344	1,845	3.39	21,131	1,863	3.32	21,131	1,863	3.32
55°F (13°C)	23,578	1,585	4.36	23,344	1,617	4.23	23,113	1,667	4.06	22,660	1,755	3.78	22,207	1,790	3.64	21,985	1,808	3.56	21,765	1,826	3.49	21,765	1,826	3.49
65°F (18°C)	22,399	1,347	4.87	22,177	1,375	4.73	21,958	1,417	4.54	21,527	1,492	4.23	21,096	1,521	4.06	20,885	1,537	3.98	20,677	1,552	3.90	20,677	1,552	3.90
75°F (24°C)	21,279	1,199	5.20	21,068	1,223	5.05	20,860	1,261	4.85	20,451	1,328	4.51	20,042	1,354	4.34	19,841	1,368	4.25	19,643	1,381	4.17	19,643	1,381	4.17

### Non-Ducted Cooling

TC: Total Capacity PI: Power Input

Outdoor Air Temp DB	Indoor Temperature (°F, DB)																							
	64 / 53			68 / 57			72 / 61			77 / 64			80 / 67			82 / 70			86 / 72			90 / 75		
	TC (Btu/h)	PI (W)	EER2	TC (Btu/h)	PI (W)	EER2	TC (Btu/h)	PI (W)	EER2	TC (Btu/h)	PI (W)	EER2	TC (Btu/h)	PI (W)	EER2	TC (Btu/h)	PI (W)	EER2	TC (Btu/h)	PI (W)	EER2	TC (Btu/h)	PI (W)	EER2
14°F (-10°C)	13,324	630	21.14	15,676	716	21.88	17,039	770	22.12	17,936	802	22.35	18,490	819	22.58	19,045	835	22.80	19,997	885	22.59	21,397	938	22.80
32°F (0°C)	13,879	664	20.92	16,329	754	21.65	17,749	811	21.89	18,683	845	22.12	19,261	862	22.35	19,838	879	22.57	20,830	932	22.35	22,289	988	22.57
50°F (10°C)	14,309	698	20.48	16,834	794	21.21	18,298	853	21.44	19,261	889	21.66	19,856	907	21.89	20,452	925	22.10	21,475	981	21.89	22,978	1,040	22.10
68°F (20°C)	14,028	776	18.07	16,504	882	18.71	17,939	948	18.92	18,883	988	19.12	19,467	1,008	19.31	20,051	1,028	19.50	21,054	1,090	19.32	22,527	1,155	19.50
86°F (30°C)	13,620	924	14.74	16,023	1,050	15.26	17,416	1,129	15.43	18,333	1,176	15.59	18,900	1,200	15.75	19,467	1,224	15.90	20,440	1,297	15.75	21,871	1,375	15.90
95°F (35°C)	12,971	1,127	11.51	15,260	1,280	11.92	16,587	1,377	12.05	17,460	1,434	12.17	18,000	1,463	12.30	18,540	1,493	12.42	19,467	1,582	12.30	20,830	1,677	12.42
104°F (40°C)	12,452	1,194	10.43	14,650	1,357	10.79	15,924	1,459	10.91	16,762	1,520	11.03	17,280	1,551	11.14	17,798	1,582	11.25	18,688	1,677	11.14	19,997	1,778	11.25
110°F (43°C)	11,705	1,230	9.51	13,771	1,398	9.85	14,968	1,503	9.96	15,756	1,566	10.06	16,243	1,598	10.17	16,730	1,630	10.27	17,567	1,727	10.17	18,797	1,831	10.27
115°F (46°C)	10,535	1,206	8.74	12,394	1,370	9.05	13,471	1,473	9.14	14,180	1,534	9.24	14,619	1,566	9.34	15,057	1,597	9.43	15,810	1,693	9.34	16,917	1,795	9.43

### Non-Ducted Heating

TC: Total Capacity PI: Power Input

Outdoor Air Temp DB	Indoor Temperature (°F, DB)																							
	60			64			68			70			72			75			79					
	TC (Btu/h)	PI (W)	COP	TC (Btu/h)	PI (W)	COP	TC (Btu/h)	PI (W)	COP	TC (Btu/h)	PI (W)	COP	TC (Btu/h)	PI (W)	COP	TC (Btu/h)	PI (W)	COP	TC (Btu/h)	PI (W)	COP	TC (Btu/h)	PI (W)	COP
-22°F (-30°C)	14,630	2,712	1.58	14,486	2,767	1.53	14,342	2,853	1.47	14,621	3,003	1.43	13,780	3,063	1.32	13,642	3,094	1.29	13,506	3,125	1.27	13,506	3,125	1.27
-15°F (-26°C)	17,842	2,767	1.89	17,665	2,824	1.83	17,490	2,911	1.76	16,245	3,064	1.55	16,805	3,126	1.58	16,637	3,157	1.54	16,470	3,188	1.51	16,470	3,188	1.51
-5°F (-21°C)	18,781	2,824	1.95	18,595	2,881	1.89	18,411	2,970	1.82	18,050	3,127	1.69	17,689	3,189	1.63	17,512	3,221	1.59	17,337	3,253	1.56	17,337	3,253	1.56
0°F (-18°C)	19,770	2,881	2.01	19,574	2,940	1.95	19,380	3,031	1.87	19,000	3,191	1.74	18,620	3,254	1.68	18,434	3,287	1.64	18,249	3,320	1.61	18,249	3,320	1.61
5°F (-15°C)	20,810	2,940	2.07	20,604	3,000	2.01	20,400	3,093	1.93	20,000	3,256	1.80	19,600	3,321	1.73	19,404	3,354	1.70	19,210	3,388	1.66	19,210	3,388	1.66
14°F (-10°C)	21,366	2,667	2.35	21,155	2,722	2.29	20,945	2,796	2.20	20,535	2,943	2.04	20,124	3,002	1.96	19,923	3,032	1.93	19,724	3,062	1.89	19,724	3,062	1.89
23°F (-5°C)	21,881	2,369	2.71	21,665	2,418	2.63	21,450	2,493	2.52	21,030	2,624	2.35	20,609	2,676	2.26	20,403	2,703	2.21	20,199	2,730	2.17	20,199	2,730	2.17
32°F (0°C)	22,375	2,078	3.15	22,154	2,121	3.06	21,934	2,186	2.94	21,504	2,301	2.74	21,074	2,347	2.63	20,864	2,371	2.58	20,655	2,394	2.53	20,655	2,394	2.53
41°F (5°C)	22,869	1,787	3.75	22,643	1,823	3.64	22,419	1,880	3.49	21,979	1,979	3.25	21,540	2,018	3.13	21,324	2,038	3.07						

# 2. SYSTEM

## 3G24ED2BEA

### Ducted Cooling

TC: Total Capacity PI: Power Input

Outdoor Air Temp DB	Indoor Temperature (°F, DB)																							
	64 / 53			68 / 57			72 / 61			77 / 64			80 / 67			82 / 70			86 / 72			90 / 75		
	TC (Btu/h)	PI (W)	EER2	TC (Btu/h)	PI (W)	EER2	TC (Btu/h)	PI (W)	EER2	TC (Btu/h)	PI (W)	EER2	TC (Btu/h)	PI (W)	EER2	TC (Btu/h)	PI (W)	EER2	TC (Btu/h)	PI (W)	EER2	TC (Btu/h)	PI (W)	EER2
14°F (-10°C)	17,766	985	18.04	20,901	1,119	18.68	22,718	1,203	18.88	23,914	1,253	19.08	24,654	1,279	19.28	25,393	1,304	19.47	26,663	1,383	19.28	28,529	1,466	19.47
32°F (0°C)	18,506	1,036	17.86	21,772	1,178	18.49	23,665	1,266	18.69	24,910	1,319	18.88	25,681	1,346	19.08	26,451	1,373	19.26	27,774	1,455	19.08	29,718	1,543	19.26
50°F (10°C)	19,078	1,091	17.49	22,445	1,240	18.10	24,397	1,333	18.30	25,681	1,389	18.49	26,475	1,417	18.68	27,269	1,445	18.87	28,633	1,532	18.69	30,637	1,624	18.87
68°F (20°C)	18,704	1,212	15.43	22,005	1,378	15.97	23,918	1,481	16.15	25,177	1,543	16.32	25,956	1,574	16.49	26,735	1,606	16.65	28,071	1,702	16.49	30,036	1,804	16.65
86°F (30°C)	18,159	1,443	12.58	21,364	1,640	13.03	23,222	1,763	13.17	24,444	1,837	13.31	25,200	1,874	13.45	25,956	1,912	13.58	27,254	2,026	13.45	29,162	2,148	13.58
95°F (35°C)	17,295	1,760	9.83	20,347	2,000	10.17	22,116	2,150	10.28	23,280	2,240	10.39	24,000	2,286	10.50	24,720	2,331	10.60	25,956	2,471	10.50	27,773	2,620	10.60
104°F (40°C)	16,603	1,865	8.90	19,533	2,120	9.21	21,231	2,279	9.31	22,349	2,374	9.41	23,040	2,423	9.51	23,731	2,471	9.60	24,918	2,620	9.51	26,662	2,777	9.60
110°F (43°C)	15,607	1,921	8.12	18,361	2,183	8.41	19,957	2,348	8.50	21,008	2,446	8.59	21,658	2,496	8.68	22,307	2,545	8.76	23,423	2,698	8.68	25,062	2,860	8.76
115°F (46°C)	14,046	1,883	7.46	16,525	2,140	7.72	17,962	2,301	7.81	18,907	2,397	7.89	19,492	2,446	7.97	20,077	2,495	8.05	21,080	2,644	7.97	22,556	2,803	8.05

### Ducted Heating

TC: Total Capacity PI: Power Input

Outdoor Air Temp DB	Indoor Temperature (°F, DB)																				
	60			64			68			70			72			75			79		
	TC (Btu/h)	PI (W)	COP	TC (Btu/h)	PI (W)	COP	TC (Btu/h)	PI (W)	COP	TC (Btu/h)	PI (W)	COP	TC (Btu/h)	PI (W)	COP	TC (Btu/h)	PI (W)	COP	TC (Btu/h)	PI (W)	COP
-22°F (-30°C)	16,093	2,983	1.58	15,934	3,044	1.53	15,776	3,138	1.47	16,083	3,303	1.43	15,158	3,369	1.32	15,006	3,403	1.29	14,856	3,437	1.27
-15°F (-26°C)	19,626	3,044	1.89	19,432	3,106	1.83	19,239	3,202	1.76	17,870	3,371	1.55	18,485	3,438	1.58	18,300	3,472	1.54	18,117	3,507	1.51
-5°F (-21°C)	20,659	3,106	1.95	20,455	3,169	1.89	20,252	3,267	1.82	19,855	3,439	1.69	19,458	3,508	1.63	19,263	3,543	1.59	19,071	3,579	1.56
0°F (-18°C)	21,746	3,169	2.01	21,531	3,234	1.95	21,318	3,334	1.87	20,900	3,510	1.74	20,482	3,580	1.68	20,277	3,616	1.64	20,074	3,652	1.61
5°F (-15°C)	22,891	3,234	2.07	22,664	3,300	2.01	22,440	3,402	1.93	22,000	3,581	1.80	21,560	3,653	1.73	21,344	3,689	1.70	21,131	3,726	1.66
14°F (-10°C)	23,910	2,975	2.36	23,674	3,035	2.29	23,439	3,129	2.19	22,980	3,294	2.04	22,520	3,360	1.96	22,295	3,393	1.93	22,072	3,427	1.89
23°F (-5°C)	24,884	2,709	2.69	24,637	2,764	2.61	24,393	2,849	2.51	23,915	2,999	2.34	23,437	3,059	2.24	23,202	3,090	2.20	22,970	3,121	2.16
32°F (0°C)	25,834	2,439	3.10	25,579	2,489	3.01	25,325	2,566	2.89	24,829	2,701	2.69	24,332	2,755	2.59	24,089	2,783	2.54	23,848	2,810	2.49
41°F (5°C)	26,785	2,170	3.62	26,520	2,214	3.51	26,257	2,283	3.37	25,742	2,403	3.14	25,227	2,451	3.02	24,975	2,475	2.96	24,725	2,500	2.90
47°F (8°C)	27,053	1,966	4.03	26,785	2,006	3.91	26,520	2,068	3.76	26,000	2,177	3.50	25,480	2,220	3.36	25,225	2,242	3.30	24,973	2,265	3.23
55°F (13°C)	27,865	1,926	4.24	27,589	1,966	4.11	27,316	2,026	3.95	26,780	2,133	3.68	26,244	2,176	3.53	25,982	2,198	3.46	25,722	2,220	3.40
65°F (18°C)	26,471	1,637	4.74	26,209	1,671	4.60	25,950	1,723	4.41	25,441	1,813	4.11	24,932	1,849	3.95	24,683	1,868	3.87	24,436	1,887	3.80
75°F (24°C)	25,148	1,457	5.06	24,899	1,487	4.91	24,652	1,533	4.71	24,169	1,614	4.39	23,686	1,646	4.22	23,449	1,662	4.13	23,214	1,679	4.05

### Non-Ducted Cooling

TC: Total Capacity PI: Power Input

Outdoor Air Temp DB	Indoor Temperature (°F, DB)																							
	64 / 53			68 / 57			72 / 61			77 / 64			80 / 67			82 / 70			86 / 72			90 / 75		
	TC (Btu/h)	PI (W)	EER2	TC (Btu/h)	PI (W)	EER2	TC (Btu/h)	PI (W)	EER2	TC (Btu/h)	PI (W)	EER2	TC (Btu/h)	PI (W)	EER2	TC (Btu/h)	PI (W)	EER2	TC (Btu/h)	PI (W)	EER2	TC (Btu/h)	PI (W)	EER2
14°F (-10°C)	17,766	847	20.96	20,901	963	21.70	22,718	1,035	21.94	23,914	1,079	22.17	24,654	1,101	22.40	25,393	1,123	22.62	26,663	1,190	22.41	28,529	1,261	22.62
32°F (0°C)	18,506	892	20.75	21,772	1,014	21.48	23,665	1,090	21.71	24,910	1,135	21.94	25,681	1,159	22.17	26,451	1,182	22.38	27,774	1,253	22.17	29,718	1,328	22.38
50°F (10°C)	19,078	939	20.32	22,445	1,067	21.04	24,397	1,147	21.26	25,681	1,195	21.49	26,475	1,220	21.71	27,269	1,244	21.92	28,633	1,319	21.72	30,637	1,398	21.92
68°F (20°C)	18,704	1,043	17.93	22,005	1,186	18.56	23,918	1,275	18.76	25,177	1,328	18.96	25,956	1,355	19.16	26,735	1,382	19.34	28,071	1,465	19.16	30,036	1,553	19.34
86°F (30°C)	18,159	1,242	14.62	21,364	1,411	15.14	23,222	1,518	15.30	24,444	1,581	15.46	25,200	1,613	15.62	25,956	1,645	15.78	27,254	1,744	15.63	29,162	1,849	15.77
95°F (35°C)	17,295	1,515	11.42	20,347	1,721	11.82	22,116	1,851	11.95	23,280	1,928	12.08	24,000	1,967	12.20	24,720	2,007	12.32	25,956	2,127	12.20	27,773	2,255	12.32
104°F (40°C)	16,603	1,606	10.34	19,533	1,824	10.71	21,231	1,962	10.82	22,349	2,044	10.94	23,040	2,085	11.05	23,731	2,127	11.16	24,918	2,255	11.05	26,662	2,390	11.16
110°F (43°C)	15,607	1,654	9.44	18,361	1,879	9.77	19,957	2,021	9.88	21,008	2,105	9.98	21,658	2,148	10.08	22,307	2,191	10.18	23,423	2,322	10.09	25,062	2,462	10.18
115°F (46°C)	14,046	1,621	8.67	16,525	1,842	8.97	17,962	1,980	9.07	18,907	2,063	9.17	19,492	2,105	9.26	20,077	2,147	9.35	21,080	2,276	9.26	22,556	2,412	9.35

### Non-Ducted Heating

TC: Total Capacity PI: Power Input

Outdoor Air Temp DB	Indoor Temperature (°F, DB)																				
	60			64			68			70			72			75			79		
	TC (Btu/h)	PI (W)	COP	TC (Btu/h)	PI (W)	COP	TC (Btu/h)	PI (W)	COP	TC (Btu/h)	PI (W)	COP	TC (Btu/h)	PI (W)	COP	TC (Btu/h)	PI (W)	COP	TC (Btu/h)	PI (W)	COP
-22°F (-30°C)	16,679	3,092	1.58	16,514	3,155	1.53	16,350	3,252	1.47	16,667	3,423	1.43	15,709	3,492	1.32	15,552	3,527	1.29	15,396	3,562	1.27
-15°F (-26°C)	20,340	3,155	1.89	20,139	3,219	1.83	19,939	3,319	1.76	18,519	3,493	1.55	19,157	3,563	1.58	18,966	3,599	1.54	18,776	3,635	1.51
-5°F (-21°C)	21,410	3,219	1.95	21,198	3,285	1.89	20,989	3,386	1.82	20,577	3,565	1.69	20,165	3,636	1.63	19,964	3,672	1.59	19,764	3,709	1.56
0°F (-18°C)	22,537	3,285	2.01	22,314	3,352	1.95	22,093	3,455	1.87	21,660	3,637	1.74	21,227	3,710	1.68	21,015	3,747	1.64	20,804	3,785	1.61
5°F (-15°C)	23,723	3,352	2.07	23,489	3,420	2.01	23,256	3,526	1.93	22,800	3,712	1.80	22,344	3,786	1.73	22,121	3,824	1.70	21,899	3,862	1.66
14°F (-10°C)	24,340	3,039	2.35	24,099	3,101	2.28	23,860	3,197	2.19	23,392	3,366	2.04	22,924	3,433	1.96	22,695	3,467	1.92	22,468	3,502	1.88
23°F (-5°C)	24,908	2,720	2.68	24,662	2,776	2.60	24,418	2,862	2.50	23,939	3,012	2.33	23,460	3,072	2.24	23,226	3,103	2.19	22,993	3,134	2.15
32°F (0°C)	25,454	2,398	3.11	25,202	2,447	3.02	24,952	2,522	2.90	24,463	2,655	2.70	23,974	2,708	2.59	23,734	2,735	2.54	23,496	2,763	2.49
41°F (5°C)	25,999	2,075	3.67	25,741	2,118	3.56	25,486	2,183	3.42	24,987	2,298	3.19	24,487	2,344	3.06	24,242	2,367	3.00	24,000	2,391	2.94
47°F (8°C)	26,013	1,838	4.15	25,755	1,875	4.02	25,500	1,933	3.87	25,000	2,035	3.60	24,500	2,076	3.46	24,255	2,096	3.39	24,012	2,117	3.32
55°F (13°C)	26,793	1,801	4.36	26,528	1,838	4.23	26,265	1,894	4.06	25,750	1,994	3.78	25,235	2,034	3.64	24,983	2,054	3.56	24,733	2,075	3.49
65°F (18°C)	25,453	1,531	4.87	25,201	1,562	4.73	24,952	1,610	4.54												

# 2. SYSTEM

## 4G36ED2BEA

### Ducted Cooling

TC: Total Capacity PI: Power Input

Outdoor Air Temp DB	Indoor Temperature (°F, DB)																							
	64 / 53			68 / 57			72 / 61			77 / 64			80 / 67			82 / 70			86 / 72			90 / 75		
	TC (Btu/h)	PI (W)	EER2	TC (Btu/h)	PI (W)	EER2	TC (Btu/h)	PI (W)	EER2	TC (Btu/h)	PI (W)	EER2	TC (Btu/h)	PI (W)	EER2	TC (Btu/h)	PI (W)	EER2	TC (Btu/h)	PI (W)	EER2	TC (Btu/h)	PI (W)	EER2
14°F (-10°C)	25,908	1,478	17.53	30,480	1,680	18.15	33,131	1,806	18.34	34,875	1,881	18.54	35,953	1,920	18.73	37,032	1,958	18.91	38,883	2,076	18.73	41,605	2,200	18.91
32°F (0°C)	26,988	1,556	17.35	31,750	1,768	17.96	34,511	1,901	18.15	36,328	1,980	18.34	37,451	2,021	18.53	38,575	2,061	18.71	40,504	2,185	18.54	43,339	2,316	18.71
50°F (10°C)	27,823	1,638	16.99	32,732	1,861	17.59	35,579	2,001	17.78	37,451	2,085	17.97	38,610	2,127	18.15	39,768	2,170	18.33	41,756	2,300	18.16	44,679	2,438	18.33
68°F (20°C)	27,277	1,820	14.99	32,091	2,068	15.52	34,881	2,224	15.69	36,717	2,316	15.85	37,853	2,364	16.02	38,988	2,411	16.17	40,937	2,555	16.02	43,803	2,709	16.17
86°F (30°C)	26,483	2,166	12.22	31,156	2,462	12.66	33,865	2,647	12.79	35,648	2,757	12.93	36,750	2,814	13.06	37,853	2,870	13.19	39,745	3,042	13.06	42,527	3,225	13.19
95°F (35°C)	25,221	2,642	9.55	29,672	3,002	9.88	32,253	3,228	9.99	33,950	3,363	10.10	35,000	3,431	10.20	36,050	3,500	10.30	37,853	3,710	10.20	40,502	3,933	10.30
104°F (40°C)	24,213	2,801	8.65	28,485	3,182	8.95	30,962	3,422	9.05	32,592	3,565	9.14	33,600	3,637	9.24	34,608	3,710	9.33	36,338	3,933	9.24	38,882	4,169	9.33
110°F (43°C)	22,760	2,885	7.89	26,776	3,278	8.17	29,105	3,525	8.26	30,636	3,671	8.34	31,584	3,746	8.43	32,532	3,821	8.51	34,158	4,051	8.43	36,549	4,294	8.51
115°F (46°C)	20,484	2,827	7.25	24,099	3,212	7.50	26,194	3,454	7.58	27,573	3,598	7.66	28,426	3,671	7.74	29,278	3,745	7.82	30,742	3,970	7.74	32,894	4,208	7.82

### Ducted Heating

TC: Total Capacity PI: Power Input

Outdoor Air Temp DB	Indoor Temperature (°F, DB)																								
	60			64			68			70			72			75			79						
	TC (Btu/h)	PI (W)	COP	TC (Btu/h)	PI (W)	COP	TC (Btu/h)	PI (W)	COP	TC (Btu/h)	PI (W)	COP	TC (Btu/h)	PI (W)	COP	TC (Btu/h)	PI (W)	COP	TC (Btu/h)	PI (W)	COP	TC (Btu/h)	PI (W)	COP	
-22°F (-30°C)	21,946	4,068	1.58	21,728	4,151	1.53	21,513	4,279	1.47	21,931	4,504	1.43	20,670	4,595	1.32	20,463	4,640	1.29	20,258	4,687	1.27				
-15°F (-26°C)	26,763	4,151	1.89	26,498	4,236	1.83	26,236	4,367	1.76	24,368	4,596	1.55	25,207	4,688	1.58	24,955	4,735	1.54	24,705	4,783	1.51				
-5°F (-21°C)	28,172	4,236	1.95	27,893	4,322	1.89	27,617	4,456	1.82	27,075	4,690	1.69	26,534	4,784	1.63	26,268	4,832	1.59	26,005	4,880	1.56				
0°F (-18°C)	29,654	4,322	2.01	29,361	4,410	1.95	29,070	4,547	1.87	28,500	4,786	1.74	27,930	4,882	1.68	27,651	4,930	1.64	27,374	4,980	1.61				
5°F (-15°C)	31,215	4,410	2.07	30,906	4,500	2.01	30,600	4,639	1.93	30,000	4,884	1.80	29,400	4,981	1.73	29,106	5,031	1.70	28,815	5,081	1.66				
14°F (-10°C)	32,502	3,990	2.39	32,180	4,071	2.32	31,862	4,197	2.22	31,237	4,418	2.07	30,612	4,506	1.99	30,306	4,551	1.95	30,003	4,597	1.91				
23°F (-5°C)	33,727	3,561	2.78	33,393	3,633	2.69	33,062	3,746	2.59	32,414	3,943	2.41	31,766	4,022	2.31	31,448	4,062	2.27	31,133	4,102	2.22				
32°F (0°C)	34,920	3,127	3.27	34,574	3,191	3.18	34,232	3,289	3.05	33,561	3,462	2.84	32,890	3,532	2.73	32,561	3,567	2.67	32,235	3,603	2.62				
41°F (5°C)	36,114	2,693	3.93	35,756	2,748	3.81	35,402	2,833	3.66	34,708	2,982	3.41	34,014	3,042	3.28	33,674	3,072	3.21	33,337	3,103	3.15				
47°F (8°C)	36,418	2,375	4.49	36,057	2,423	4.36	35,700	2,498	4.19	35,000	2,630	3.90	34,300	2,682	3.75	33,957	2,709	3.67	33,617	2,736	3.60				
55°F (13°C)	37,510	2,327	4.72	37,139	2,375	4.58	36,771	2,448	4.40	36,050	2,577	4.10	35,329	2,629	3.94	34,976	2,655	3.86	34,626	2,681	3.78				
65°F (18°C)	35,635	1,978	5.28	35,282	2,019	5.12	34,932	2,081	4.92	34,248	2,190	4.58	33,563	2,234	4.40	33,227	2,257	4.31	32,895	2,279	4.23				
75°F (24°C)	33,853	1,761	5.63	33,518	1,796	5.47	33,186	1,852	5.25	32,535	1,950	4.89	31,884	1,989	4.70	31,566	2,008	4.61	31,250	2,028	4.51				

### Non-Ducted Cooling

TC: Total Capacity PI: Power Input

Outdoor Air Temp DB	Indoor Temperature (°F, DB)																							
	64 / 53			68 / 57			72 / 61			77 / 64			80 / 67			82 / 70			86 / 72			90 / 75		
	TC (Btu/h)	PI (W)	EER2	TC (Btu/h)	PI (W)	EER2	TC (Btu/h)	PI (W)	EER2	TC (Btu/h)	PI (W)	EER2	TC (Btu/h)	PI (W)	EER2	TC (Btu/h)	PI (W)	EER2	TC (Btu/h)	PI (W)	EER2	TC (Btu/h)	PI (W)	EER2
14°F (-10°C)	26,649	1,410	18.90	31,351	1,602	19.57	34,077	1,723	19.78	35,871	1,794	19.99	36,980	1,831	20.20	38,090	1,868	20.39	39,994	1,980	20.20	42,794	2,098	20.39
32°F (0°C)	27,759	1,484	18.71	32,658	1,686	19.37	35,497	1,813	19.58	37,366	1,889	19.78	38,521	1,927	19.99	39,677	1,966	20.18	41,661	2,084	19.99	44,577	2,209	20.18
50°F (10°C)	28,617	1,562	18.32	33,668	1,775	18.97	36,595	1,909	19.17	38,521	1,988	19.37	39,713	2,029	19.57	40,904	2,069	19.77	42,949	2,194	19.58	45,956	2,325	19.76
68°F (20°C)	28,056	1,736	16.16	33,007	1,972	16.74	35,878	2,121	16.92	37,766	2,209	17.10	38,934	2,254	17.27	40,102	2,299	17.44	42,107	2,437	17.28	45,055	2,584	17.44
86°F (30°C)	27,239	2,066	13.18	32,046	2,348	13.65	34,833	2,525	13.80	36,666	2,630	13.94	37,800	2,684	14.09	38,934	2,737	14.22	40,881	2,902	14.09	43,742	3,076	14.22
95°F (35°C)	25,942	2,520	10.30	30,520	2,863	10.66	33,174	3,079	10.77	34,920	3,207	10.89	36,000	3,273	11.00	37,080	3,338	11.11	38,934	3,538	11.00	41,659	3,751	11.11
104°F (40°C)	24,904	2,671	9.32	29,299	3,035	9.65	31,847	3,264	9.76	33,523	3,400	9.86	34,560	3,469	9.96	35,597	3,538	10.06	37,377	3,751	9.97	39,993	3,976	10.06
110°F (43°C)	23,410	2,751	8.51	27,541	3,126	8.81	29,936	3,362	8.91	31,512	3,502	9.00	32,486	3,573	9.09	33,461	3,645	9.18	35,134	3,863	9.09	37,593	4,095	9.18
115°F (46°C)	21,069	2,696	7.81	24,787	3,064	8.09	26,943	3,294	8.18	28,361	3,432	8.26	29,238	3,502	8.35	30,115	3,572	8.43	31,621	3,786	8.35	33,834	4,013	8.43

### Non-Ducted Heating

TC: Total Capacity PI: Power Input

Outdoor Air Temp DB	Indoor Temperature (°F, DB)																								
	60			64			68			70			72			75			79						
	TC (Btu/h)	PI (W)	COP	TC (Btu/h)	PI (W)	COP	TC (Btu/h)	PI (W)	COP	TC (Btu/h)	PI (W)	COP	TC (Btu/h)	PI (W)	COP	TC (Btu/h)	PI (W)	COP	TC (Btu/h)	PI (W)	COP	TC (Btu/h)	PI (W)	COP	
-22°F (-30°C)	24,872	4,610	1.58	24,626	4,704	1.53	24,382	4,850	1.47	24,855	5,105	1.43	23,426	5,207	1.32	23,191	5,259	1.29	22,959	5,312	1.27				
-15°F (-26°C)	30,331	4,704	1.89	30,031	4,800	1.83	29,734	4,949	1.76	27,617	5,209	1.55	28,568	5,313	1.58	28,282	5,367	1.54	27,999	5,420	1.51				
-5°F (-21°C)	31,928	4,800	1.95	31,612	4,898	1.89	31,299	5,050	1.82	30,685	5,316	1.69	30,071	5,422	1.63	29,771	5,476	1.59	29,473	5,531	1.56				
0°F (-18°C)	33,608	4,898	2.01	33,275	4,998	1.95	32,946	5,153	1.87	32,300	5,424	1.74	31,654	5,533	1.68	31,337	5,588	1.64	31,024	5,644	1.61				
5°F (-15°C)	35,377	4,998	2.07	35,027	5,100	2.01	34,680	5,258	1.93	34,000	5,535	1.80	33,320	5,645	1.73	32,987	5,702	1.70	32,657	5,759	1.66				
14°F (-10°C)	36,006	4,496	2.35	35,650	4,588	2.28	35,297	4,730	2.19	34,605	4,979	2.04	33,913	5,079	1.96	33,574	5,129	1.92	33,238	5,181	1.88				
23°F (-5°C)	36,565	3,984	2.69	36,203	4,066	2.61	35,844	4,192	2.51	35,142	4,412	2.33	34,439	4,500	2.24	34,094	4,545	2.20	33,753	4,591	2.15				
32°F (0°C)	37,088	3,468	3.13	36,721	3,538	3.04	36,357	3,648	2.92	35,644	3,840	2.72	34,931	3,917	2.61	34,582	3,956	2.56	34,236	3,995	2.51				
41°F (5°C)	37,611	2,951	3.73	37,239	3,011	3.62	36,870	3,104	3.48	36,147	3,267	3.24	35,424	3,333	3.11	35,070	3,366	3.05	34,719	3,400	2.99				
47°F (8°C)	37,458	2,575	4.26	37,087	2,627	4.14	36,720	2,708	3.97	36,000	2,851	3.70	35,280	2,908	3.55	34,927	2,937	3.48							

# 2. SYSTEM

## 5G42ED2BEA

### Ducted Cooling

TC: Total Capacity PI: Power Input

Outdoor Air Temp DB	Indoor Temperature (°F, DB)																							
	64 / 53			68 / 57			72 / 61			77 / 64			80 / 67			82 / 70			86 / 72			90 / 75		
	TC (Btu/h)	PI (W)	EER2	TC (Btu/h)	PI (W)	EER2	TC (Btu/h)	PI (W)	EER2	TC (Btu/h)	PI (W)	EER2	TC (Btu/h)	PI (W)	EER2	TC (Btu/h)	PI (W)	EER2	TC (Btu/h)	PI (W)	EER2	TC (Btu/h)	PI (W)	EER2
14°F (-10°C)	31,090	1,774	17.53	36,576	2,016	18.15	39,757	2,167	18.34	41,850	2,258	18.54	43,144	2,304	18.73	44,438	2,350	18.91	46,660	2,491	18.73	49,926	2,640	18.91
32°F (0°C)	32,385	1,867	17.35	38,101	2,122	17.96	41,414	2,281	18.15	43,593	2,376	18.34	44,942	2,425	18.53	46,290	2,473	18.71	48,604	2,622	18.54	52,007	2,779	18.71
50°F (10°C)	33,387	1,965	16.99	39,279	2,233	17.59	42,694	2,401	17.78	44,942	2,502	17.97	46,331	2,553	18.15	47,721	2,604	18.33	50,107	2,760	18.16	53,615	2,925	18.33
68°F (20°C)	32,732	2,184	14.99	38,509	2,482	15.52	41,857	2,668	15.69	44,060	2,780	15.85	45,423	2,836	16.02	46,786	2,893	16.17	49,125	3,067	16.02	52,564	3,251	16.17
86°F (30°C)	31,779	2,600	12.22	37,387	2,954	12.66	40,638	3,177	12.79	42,777	3,309	12.93	44,100	3,376	13.06	45,423	3,444	13.19	47,694	3,651	13.06	51,033	3,870	13.19
95°F (35°C)	30,266	3,170	9.55	35,607	3,603	9.88	38,703	3,874	9.99	40,740	4,035	10.10	42,000	4,118	10.20	43,260	4,200	10.30	45,423	4,452	10.20	48,603	4,719	10.30
104°F (40°C)	29,055	3,361	8.65	34,182	3,819	8.95	37,155	4,106	9.05	39,110	4,277	9.14	40,320	4,365	9.24	41,530	4,452	9.33	43,606	4,719	9.24	46,659	5,002	9.33
110°F (43°C)	27,312	3,461	7.89	32,132	3,933	8.17	34,926	4,230	8.26	36,764	4,406	8.34	37,901	4,496	8.43	39,038	4,586	8.51	40,990	4,861	8.43	43,859	5,152	8.51
115°F (46°C)	24,581	3,392	7.25	28,918	3,855	7.50	31,433	4,145	7.58	33,087	4,318	7.66	34,111	4,406	7.74	35,134	4,494	7.82	36,891	4,763	7.74	39,473	5,049	7.82

### Ducted Heating

TC: Total Capacity PI: Power Input

Outdoor Air Temp DB	Indoor Temperature (°F, DB)																							
	60			64			68			70			72			75			79					
	TC (Btu/h)	PI (W)	COP	TC (Btu/h)	PI (W)	COP	TC (Btu/h)	PI (W)	COP	TC (Btu/h)	PI (W)	COP	TC (Btu/h)	PI (W)	COP	TC (Btu/h)	PI (W)	COP	TC (Btu/h)	PI (W)	COP	TC (Btu/h)	PI (W)	COP
-22°F (-30°C)	25,603	4,746	1.58	25,350	4,843	1.53	25,099	4,992	1.47	25,586	5,255	1.43	24,115	5,360	1.32	23,873	5,414	1.29	23,635	5,468	1.27			
-15°F (-26°C)	31,224	4,843	1.89	30,914	4,941	1.83	30,608	5,094	1.76	28,429	5,362	1.55	29,408	5,470	1.58	29,114	5,524	1.54	28,823	5,580	1.51			
-5°F (-21°C)	32,867	4,941	1.95	32,541	5,042	1.89	32,219	5,198	1.82	31,588	5,472	1.69	30,956	5,581	1.63	30,646	5,637	1.59	30,340	5,694	1.56			
0°F (-18°C)	34,597	5,042	2.01	34,254	5,145	1.95	33,915	5,304	1.87	33,250	5,584	1.74	32,585	5,695	1.68	32,259	5,752	1.64	31,937	5,810	1.61			
5°F (-15°C)	36,418	5,145	2.07	36,057	5,250	2.01	35,700	5,413	1.93	35,000	5,698	1.80	34,300	5,811	1.73	33,957	5,870	1.70	33,617	5,928	1.66			
14°F (-10°C)	38,296	4,751	2.36	37,917	4,848	2.29	37,542	4,998	2.20	36,805	5,261	2.05	36,069	5,366	1.97	35,709	5,420	1.93	35,352	5,474	1.89			
23°F (-5°C)	40,102	4,346	2.70	39,705	4,435	2.62	39,312	4,572	2.52	38,541	4,813	2.35	37,770	4,909	2.25	37,392	4,958	2.21	37,018	5,008	2.17			
32°F (0°C)	41,871	3,937	3.12	41,457	4,017	3.02	41,046	4,141	2.90	40,241	4,359	2.70	39,436	4,446	2.60	39,042	4,491	2.55	38,652	4,536	2.50			
41°F (5°C)	43,640	3,527	3.63	43,208	3,599	3.52	42,781	3,710	3.38	41,942	3,905	3.15	41,103	3,984	3.02	40,692	4,023	2.96	40,285	4,064	2.90			
47°F (8°C)	44,221	3,213	4.03	43,784	3,279	3.91	43,350	3,380	3.76	42,500	3,558	3.50	41,650	3,629	3.36	41,234	3,665	3.30	40,821	3,702	3.23			
55°F (13°C)	45,548	3,149	4.24	45,097	3,213	4.11	44,651	3,313	3.95	43,775	3,487	3.68	42,900	3,557	3.53	42,471	3,592	3.46	42,046	3,628	3.40			
65°F (18°C)	43,271	2,677	4.74	42,842	2,731	4.60	42,418	2,816	4.41	41,586	2,964	4.11	40,755	3,023	3.95	40,347	3,053	3.87	39,944	3,084	3.80			
75°F (24°C)	41,107	2,382	5.06	40,700	2,431	4.91	40,297	2,506	4.71	39,507	2,638	4.39	38,717	2,691	4.22	38,330	2,717	4.13	37,946	2,745	4.05			

### Non-Ducted Cooling

TC: Total Capacity PI: Power Input

Outdoor Air Temp DB	Indoor Temperature (°F, DB)																							
	64 / 53			68 / 57			72 / 61			77 / 64			80 / 67			82 / 70			86 / 72			90 / 75		
	TC (Btu/h)	PI (W)	EER2	TC (Btu/h)	PI (W)	EER2	TC (Btu/h)	PI (W)	EER2	TC (Btu/h)	PI (W)	EER2	TC (Btu/h)	PI (W)	EER2	TC (Btu/h)	PI (W)	EER2	TC (Btu/h)	PI (W)	EER2	TC (Btu/h)	PI (W)	EER2
14°F (-10°C)	31,090	1,723	18.04	36,576	1,958	18.68	39,757	2,105	18.88	41,850	2,193	19.08	43,144	2,238	19.28	44,438	2,283	19.47	46,660	2,420	19.28	49,926	2,565	19.47
32°F (0°C)	32,385	1,814	17.86	38,101	2,061	18.49	41,414	2,216	18.69	43,593	2,309	18.88	44,942	2,356	19.08	46,290	2,403	19.26	48,604	2,547	19.08	52,007	2,700	19.26
50°F (10°C)	33,387	1,909	17.49	39,279	2,170	18.10	42,694	2,333	18.30	44,942	2,430	18.49	46,331	2,480	18.68	47,721	2,529	18.87	50,107	2,681	18.69	53,615	2,842	18.87
68°F (20°C)	32,732	2,121	15.43	38,509	2,411	15.97	41,857	2,592	16.15	44,060	2,700	16.32	45,423	2,755	16.49	46,786	2,810	16.65	49,125	2,979	16.49	52,564	3,158	16.65
86°F (30°C)	31,779	2,525	12.58	37,387	2,870	13.03	40,638	3,086	13.17	42,777	3,214	13.31	44,100	3,280	13.45	45,423	3,346	13.58	47,694	3,546	13.45	51,033	3,759	13.58
95°F (35°C)	30,266	3,080	9.83	35,607	3,500	10.17	38,703	3,763	10.28	40,740	3,920	10.39	42,000	4,000	10.50	43,260	4,080	10.60	45,423	4,325	10.50	48,603	4,584	10.60
104°F (40°C)	29,055	3,265	8.90	34,182	3,710	9.21	37,155	3,989	9.31	39,110	4,155	9.41	40,320	4,240	9.51	41,530	4,325	9.60	43,606	4,584	9.51	46,659	4,859	9.60
110°F (43°C)	27,312	3,363	8.12	32,132	3,821	8.41	34,926	4,109	8.50	36,764	4,280	8.59	37,901	4,367	8.68	39,038	4,455	8.76	40,990	4,722	8.68	43,859	5,005	8.76
115°F (46°C)	24,581	3,295	7.46	28,918	3,745	7.72	31,433	4,026	7.81	33,087	4,194	7.89	34,111	4,280	7.97	35,134	4,365	8.05	36,891	4,627	7.97	39,473	4,905	8.05

### Non-Ducted Heating

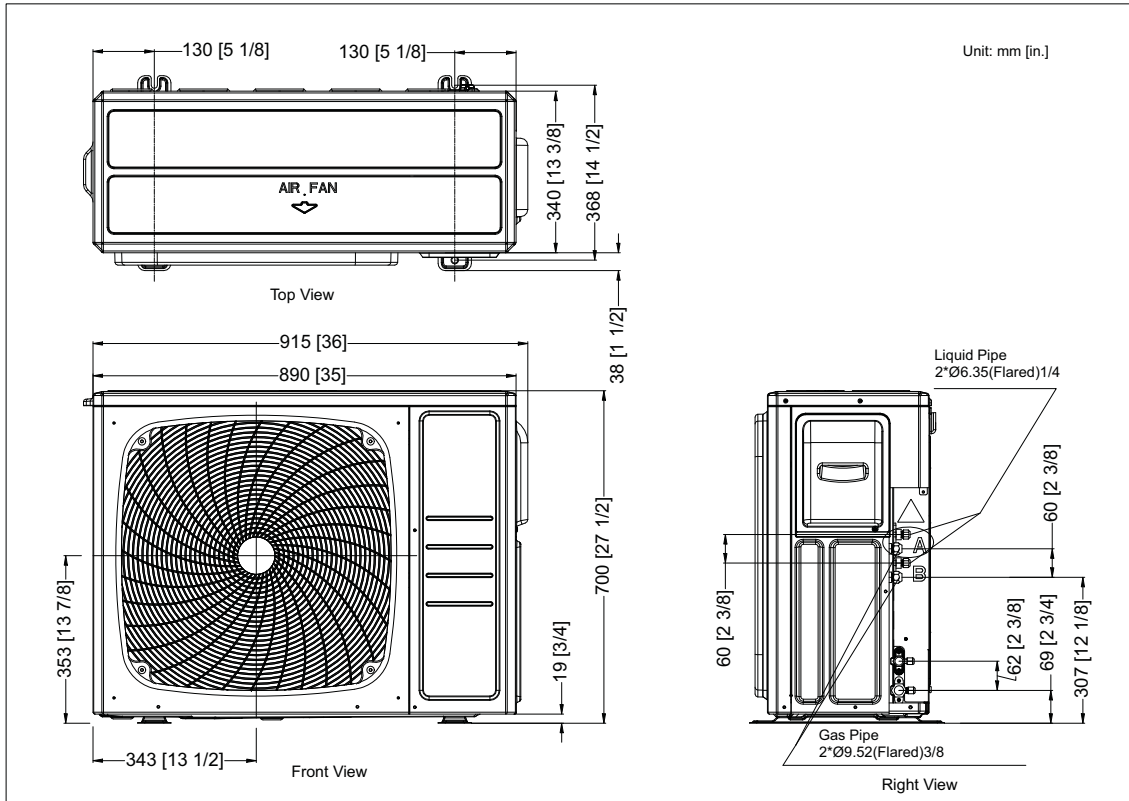
TC: Total Capacity PI: Power Input

Outdoor Air Temp DB	Indoor Temperature (°F, DB)																							
	60			64			68			70			72			75			79					
	TC (Btu/h)	PI (W)	COP	TC (Btu/h)	PI (W)	COP	TC (Btu/h)	PI (W)	COP	TC (Btu/h)	PI (W)	COP	TC (Btu/h)	PI (W)	COP	TC (Btu/h)	PI (W)	COP	TC (Btu/h)	PI (W)	COP	TC (Btu/h)	PI (W)	COP
-22°F (-30°C)	25,603	4,746	1.58	25,350	4,843	1.53	25,099	4,992	1.47	25,586	5,255	1.43	24,115	5,360	1.32	23,873	5,414	1.29	23,635	5,468	1.27			
-15°F (-26°C)	31,224	4,843	1.89	30,914	4,941	1.83	30,608	5,094	1.76	28,429	5,362	1.55	29,408	5,470	1.58	29,114	5,524	1.54	28,823	5,580	1.51			
-5°F (-21°C)	32,867	4,941	1.95	32,541	5,042	1.89	32,219	5,198	1.82	31,588	5,472	1.69	30,956	5,581	1.63	30,646	5,637	1.59	30,340	5,694	1.56			
0°F (-18°C)	34,597	5,042	2.01	34,254	5,145	1.95	33,915	5,304	1.87	33,250	5,584	1.74	32,585	5,695	1.68	32,259	5,752	1.64	31,937	5,810	1.61			
5°F (-15°C)	36,418	5,145	2.07	36,057	5,250	2.01	35,700	5,413	1.93	35,000	5,698	1.80	34,300	5,811	1.73	33,957	5,870	1.70	33,617	5,928	1.66			
14°F (-10°C)	38,296	4,732	2.37	37,917	4,828	2.30	37,542	4,977	2.21	36,805	5,239	2.06	36,069	5,344	1.98	35,709	5,398	1.94	35,352	5,452	1.90			
23°F (-5°C)	40,102	4,308	2.73	39,705	4,395	2.65	39,312	4,531	2.54	38,541	4,770	2.37	37,770	4,865	2.27	37,392	4,914	2.23	37,018	4,963	2.19			
32°F (0°C)	41,871	3,878	3.16	41,457	3,958	3.07	41,046	4,080	2.95	40,241	4,295	2.75	39,436	4,381	2.64	39,042	4,424	2.59	38,652	4,469	2.53			
41°F (5°C)	43,640	3,449	3.71	43,208	3,520	3.60	42,781	3,629	3.45	41,942	3,820	3.22	41,103	3,896	3.09	40,692	3,935	3.03	40,285	3,974	2.97			
47°F (8°C)	44,221	3,124	4.15	43,784	3,188	4.02	43,350	3,286	3.87	42,500	3,459	3.60	41,650	3,528	3.46	41,234	3,564	3.39	40,821	3,599	3.32			
55°F (13°C)	45,548	3,061	4.36	45,097	3,124	4.23	44,651	3,221	4.06	43,775	3,390	3.78	42,900	3,458	3.64	42,471	3,492	3.56	42,046	3,527	3.49			
65°F (18°C)	43,271	2,602	4.87	42,842																				

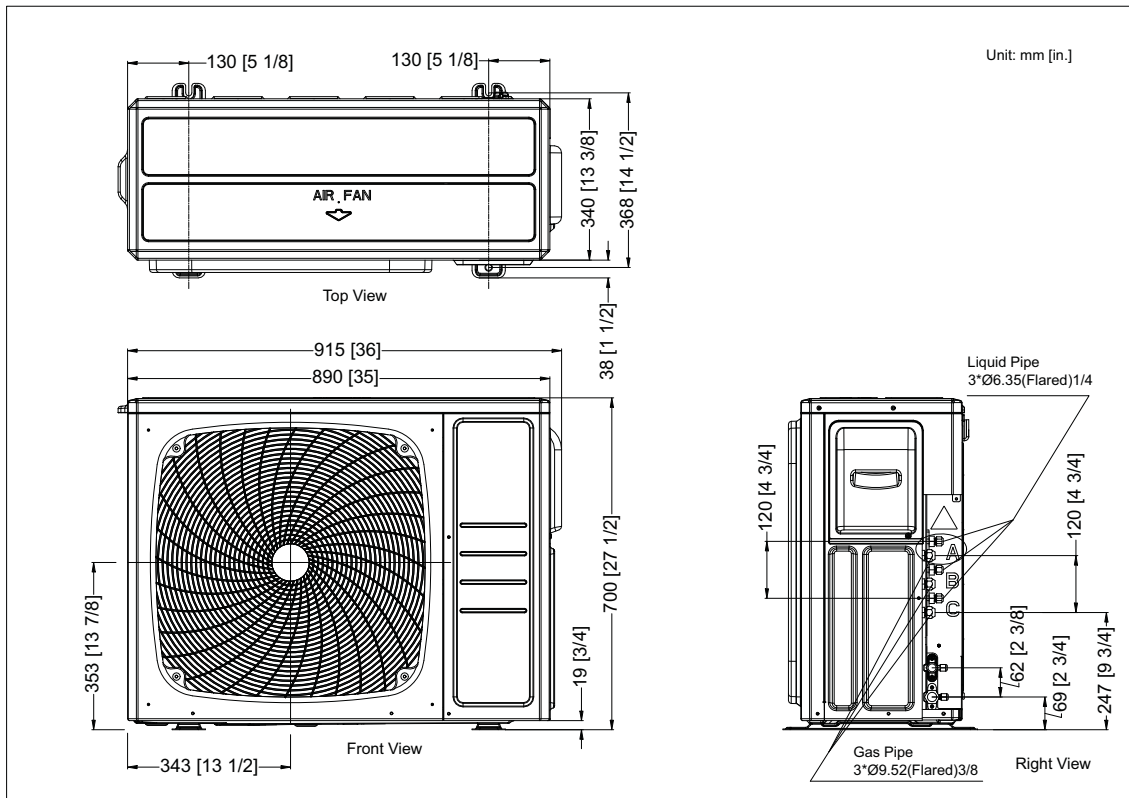
# 3. OUTDOOR UNITS

## 3.1 Dimensions

2G18AD2BEA

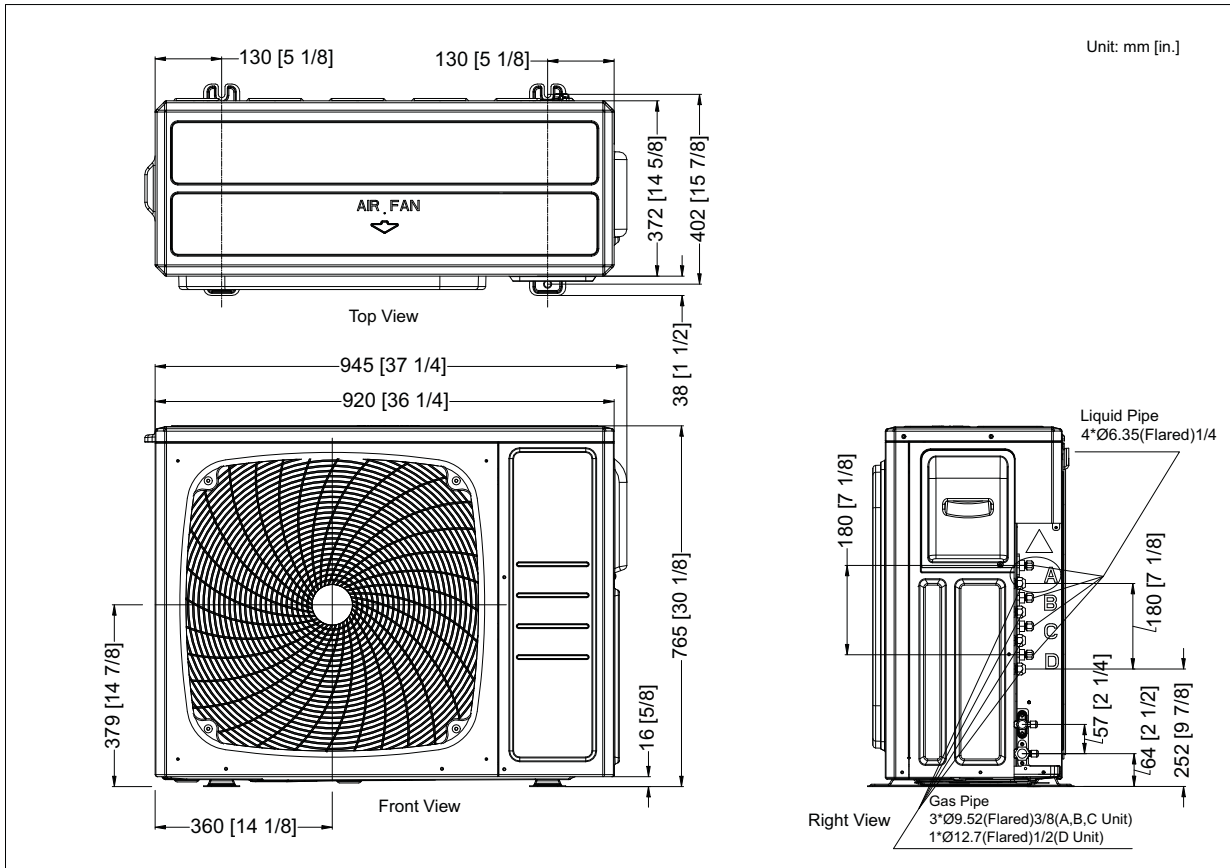


3G24AD2BEA

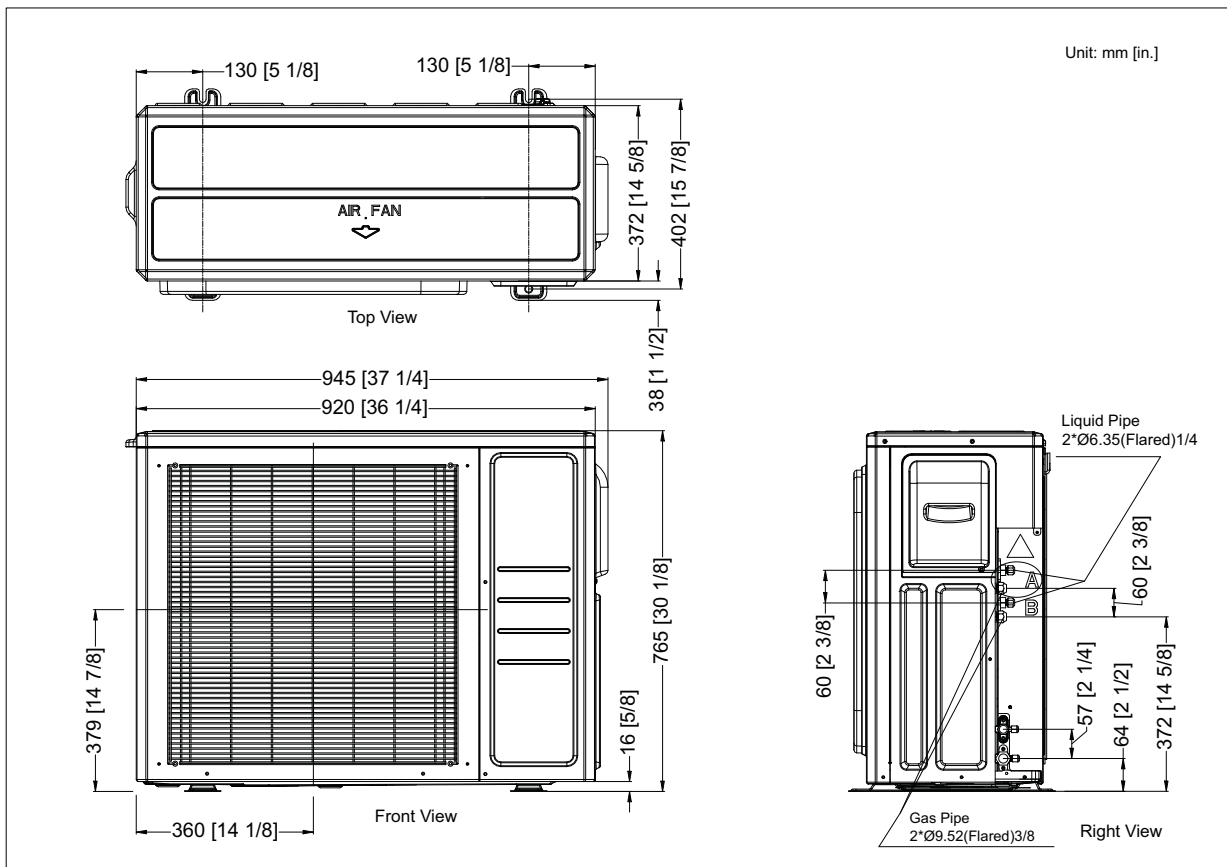


# 3. OUTDOOR UNITS

## 4G36AD2BEA

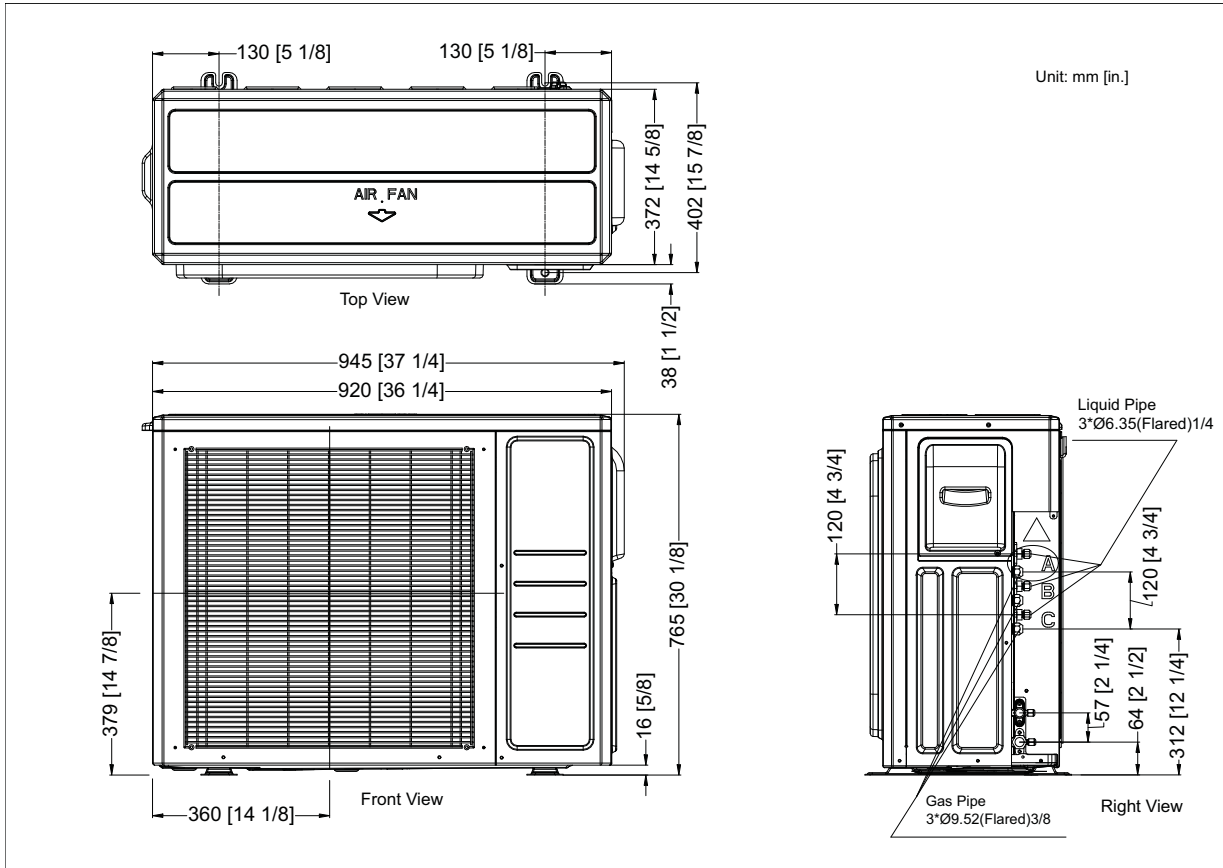


## 2G20ED2BEA

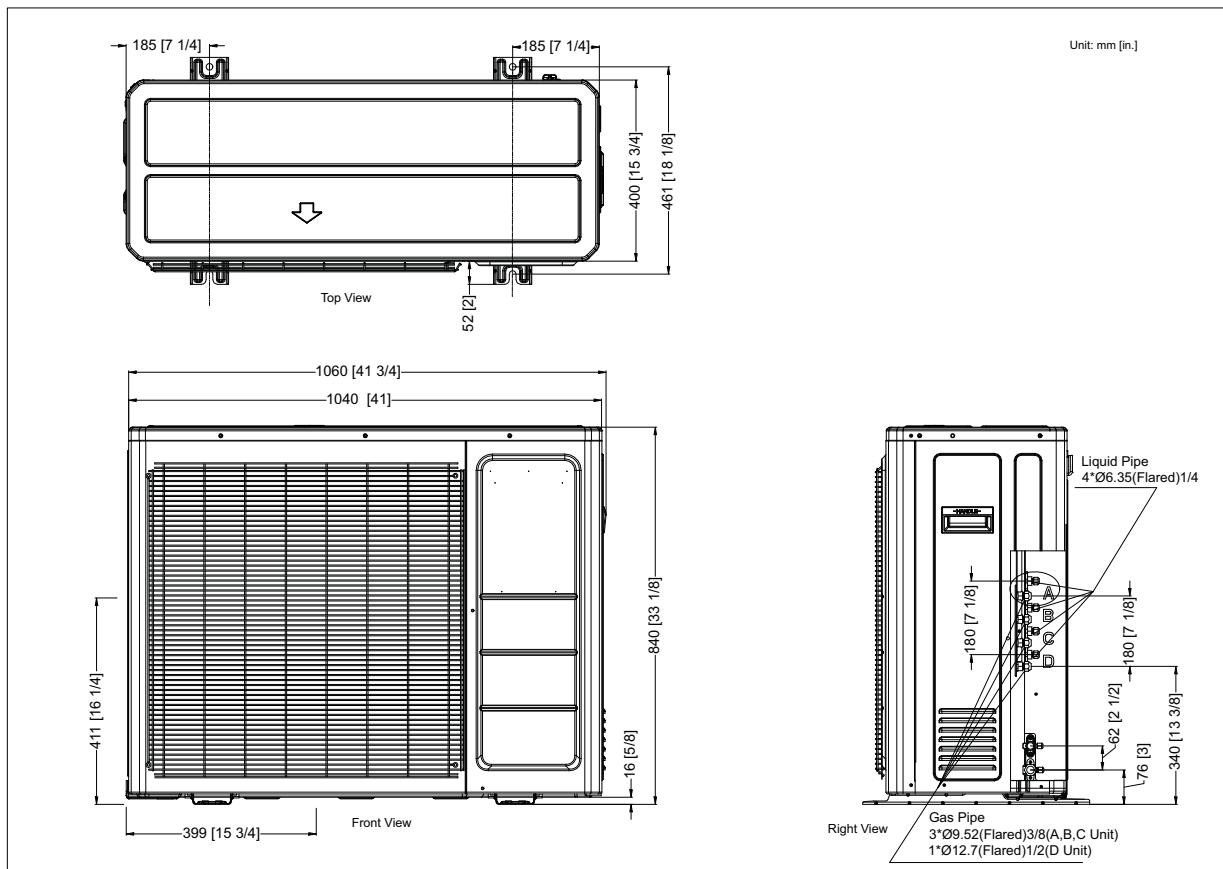


# 3. OUTDOOR UNITS

## 3G24ED2BEA

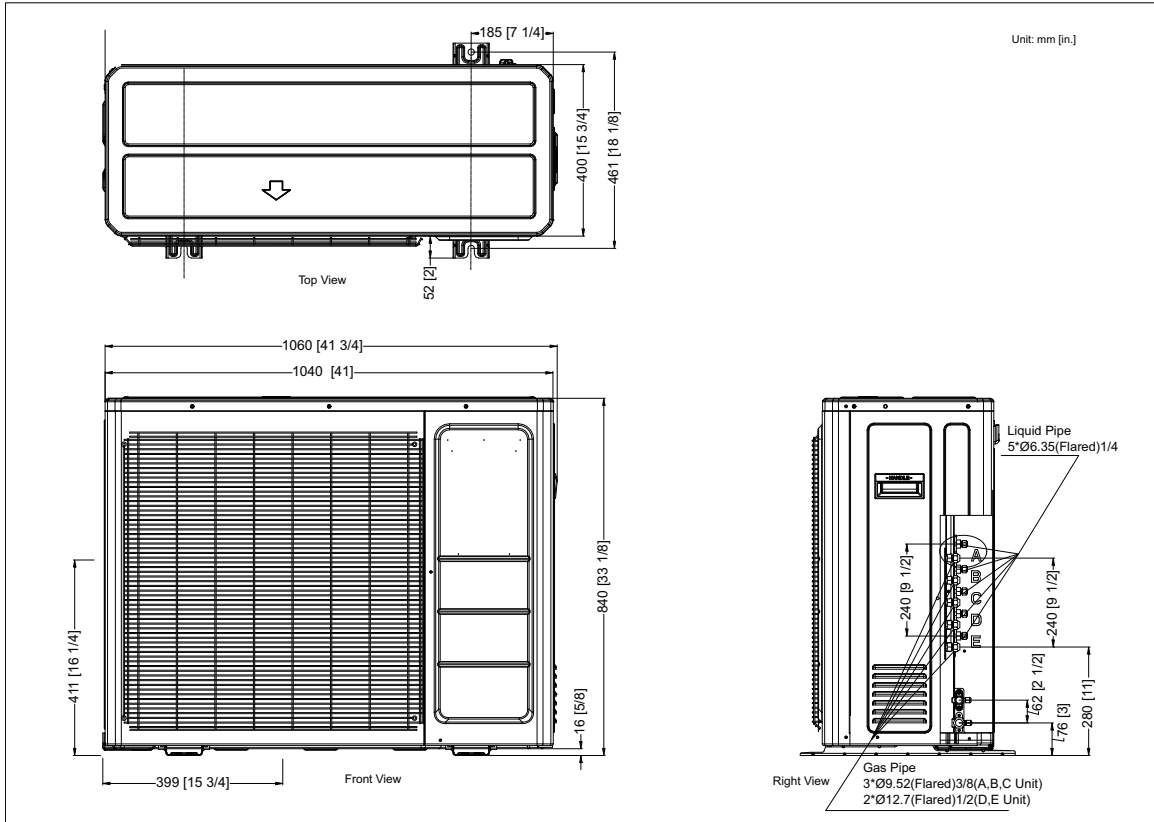


## 4G36ED2BEA



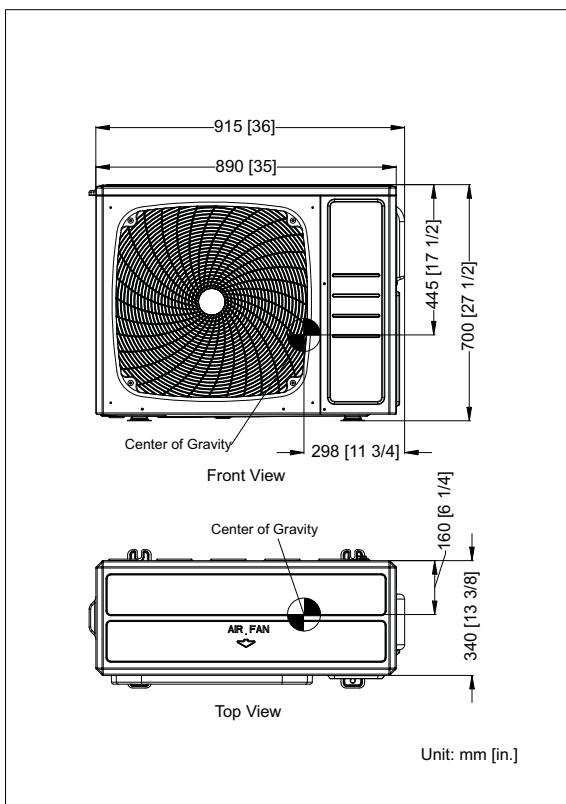
# 3. OUTDOOR UNITS

## 5G42ED2BEA

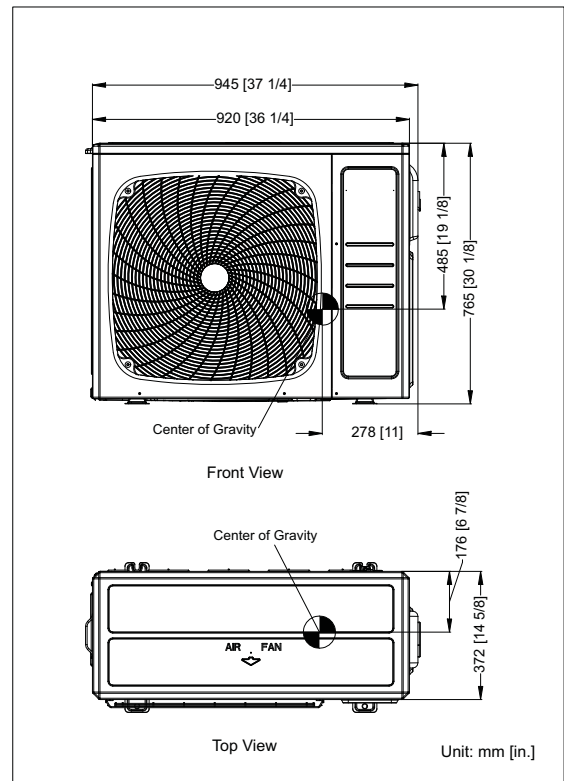


## 3.2 Center of Gravity

### 2G18AD2BEA 3G24AD2BEA



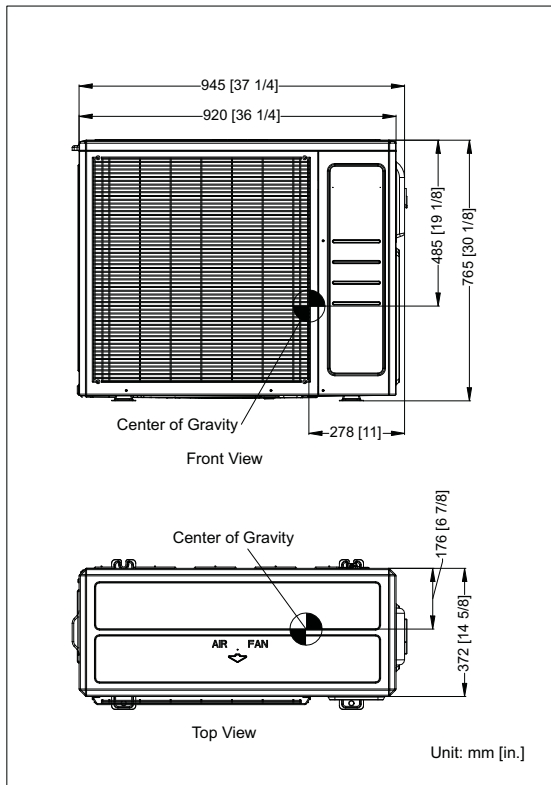
### 4G36AD2BEA



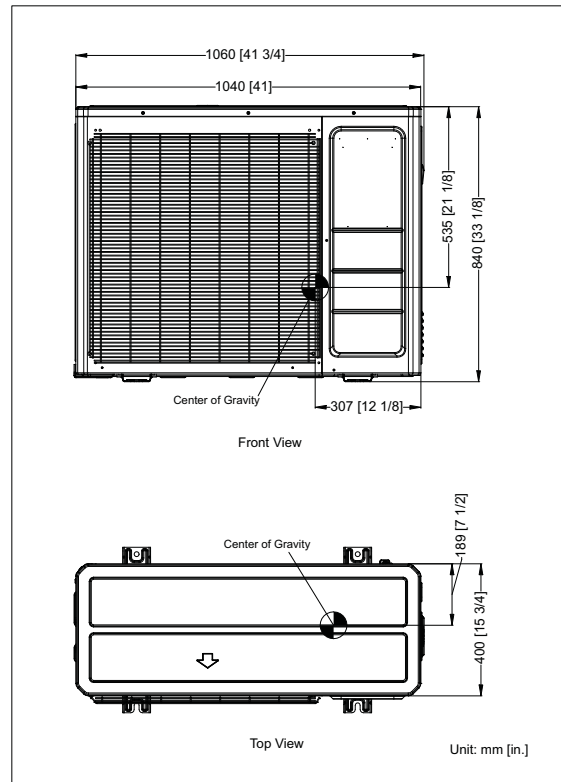
# 3. OUTDOOR UNITS

ENGLISH

2G20ED2BEA  
3G24ED2BEA



4G36ED2BEA  
5G42ED2BEA



## 3.3 General

### (3.3.1) Outdoor Unit Description

- A. The outdoor unit shall be comprised of a condenser coil with all components and controls necessary to perform the rated operation.

### (3.3.2) Sound Pressure Rating

- A. Sound pressure rating as measured according to test standard JIS C 961:

Model	Sound Pressure Rating dB(A)	Microphone Location (ft)
2G18AD2BEA	52	3.28
3G24AD2BEA	53	3.28
4G36AD2BEA	58	3.28

Model	Sound Pressure Rating dB(A)	Microphone Location (ft)
2G20ED2BEA 3G24ED2BEA	57	3.28
4G36ED2BEA	60	3.28
5G42ED2BEA	62	3.28

### (3.3.3) Warranty

- A. The outdoor unit shall be covered by a manufacturer's parts warranty

## 3.4 Installation

### (3.4.1) Condensate

- A. The installer must adhere to local building codes for managing condensate water produced by the outdoor unit.

### (3.4.2) Clearances

- A. The installer must follow the recommended clearances provided in the Installation Manual.

## 3.5 Components

### (3.5.1) Coil

- A. The outdoor coil shall be made with a blue colored hydrophilic coating on the aluminum fins and packed with internally grooved copper tubing, to increase the effective heat exchange surface area by 25%, resulting in higher efficiencies and shorter defrost cycles (approx. 29%).
- B. Coils shall be helium pressure tested at the factory within a range of 600 - 650 PSI.
- C. Outdoor unit shall be factory charged with R454B refrigerant for default feet of lineset.
- D. The coils have passed 500 hours salt spray test.

### (3.5.2) Fan Motor

- A. The outdoor fan motor shall be a brushless, variable speed DCV motor type.
- B. The fan motor shall be molded with heat-hardened resin.
- C. The fan motor shall have permanently lubricated SRC bearings.

### (3.5.3) Fan Blade

- A. The outdoor fan blade shall be a UL flame rated plastic-resin design.
- B. The fan blade shall be factory balanced in quiet performance and enhanced velocity.

### (3.5.4) Compressor

- A. The compressor shall be a DC rotary type and A-PAM inverter-driven for stable operation in lower and higher frequency.
- B. The compressor shall be variable speed, variable capacity.
- C. The compressor shall have an internal overload protection device.
- D. The compressor shall use RM68EH refrigerant oil for better anti-wear effectiveness, superior resistance to capillary tube blockage and no hydrolysis compared to POE oil.

### (3.5.5) 4WV

- A. The outdoor unit shall contain a four-way reversing valve (4WV) to change system mode from cool to heat.

### (3.5.6) EEV

- A. The refrigerant flow shall be regulated by an electronic expansion valve (EEV).
- B. The outdoor control shall monitor the refrigerant flow through the EEV using a pulse-operated coil.
- C. The EEV shall maintain the target of 10°F (5.5°C) of superheat.

### (3.5.7) Base Pan

- A. The base pan shall be constructed of commercial grade DC51/DC52 hot-dip galvanized steel with coating.

### (3.5.8) Copper Piping

- A. All internally connected copper tubing shall conform to ASTM B280 tubing tolerances.

### (3.5.9) Outdoor Enclosure Materials

- A. The outdoor cabinet shall be constructed of commercial grade DC51/DC52 hot-dip galvanized steel with coating.  
Screw Size: #4x5/8in Phillips Pan Head Zinc Plated Sheet Metal Screw.

### (3.5.10) Defrost

- A. The outdoor unit shall have a reverse-cycle (hot gas) defrost system to maximize heat pump operation and minimize energy consumption.

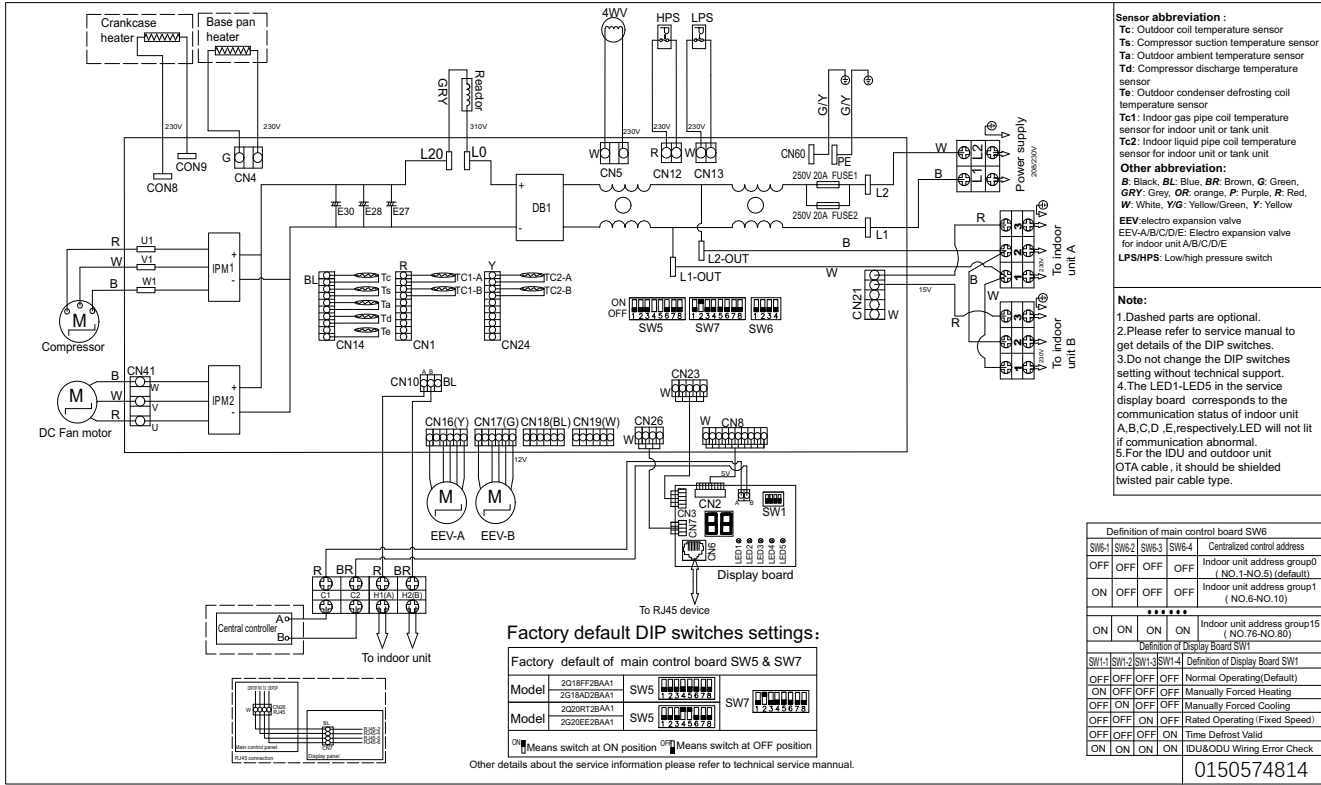
### (3.5.11) Accumulator

- A. The accumulator shall be connected to the compressor return line to prevent liquid refrigerant from entering the compressor during operation.

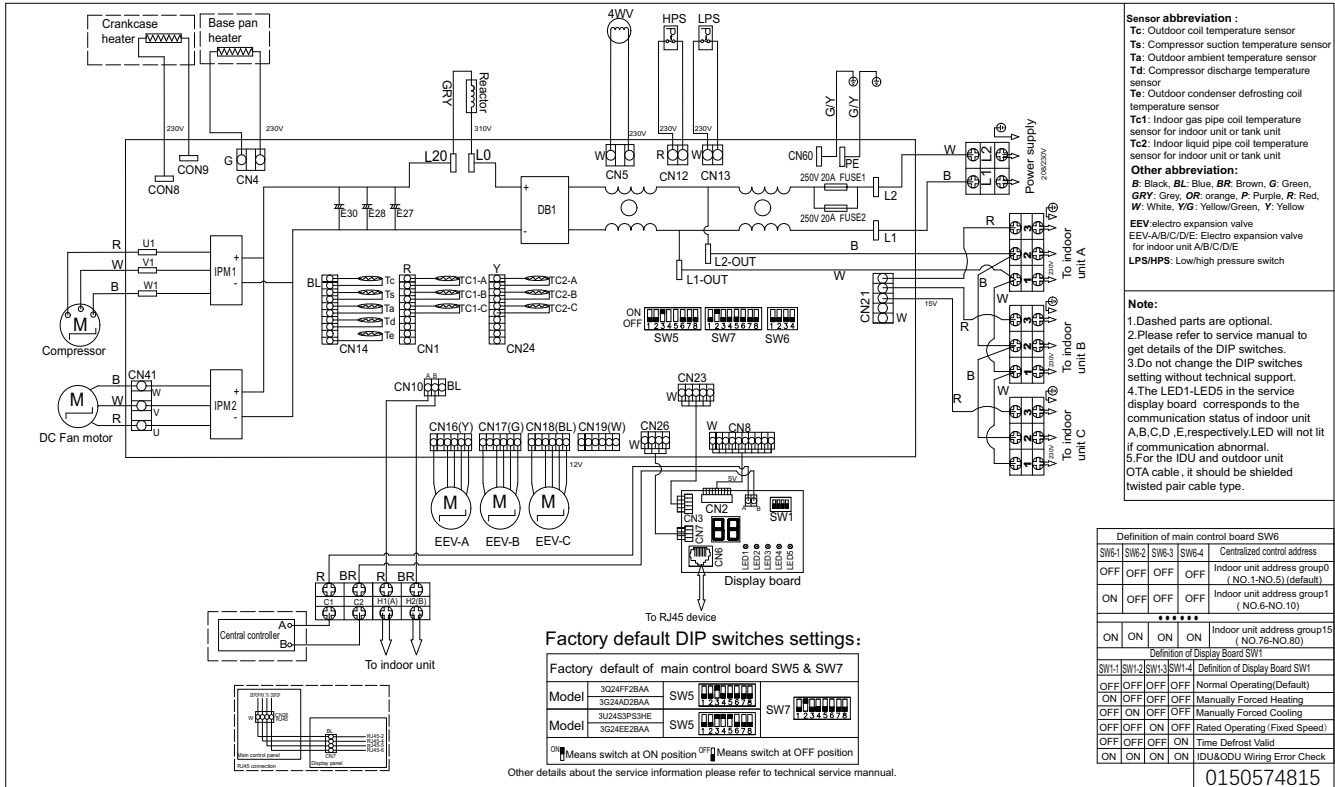
# 3. OUTDOOR UNITS

## 3.6 Wiring Diagrams

2G18AD2BEA  
2G20ED2BEA

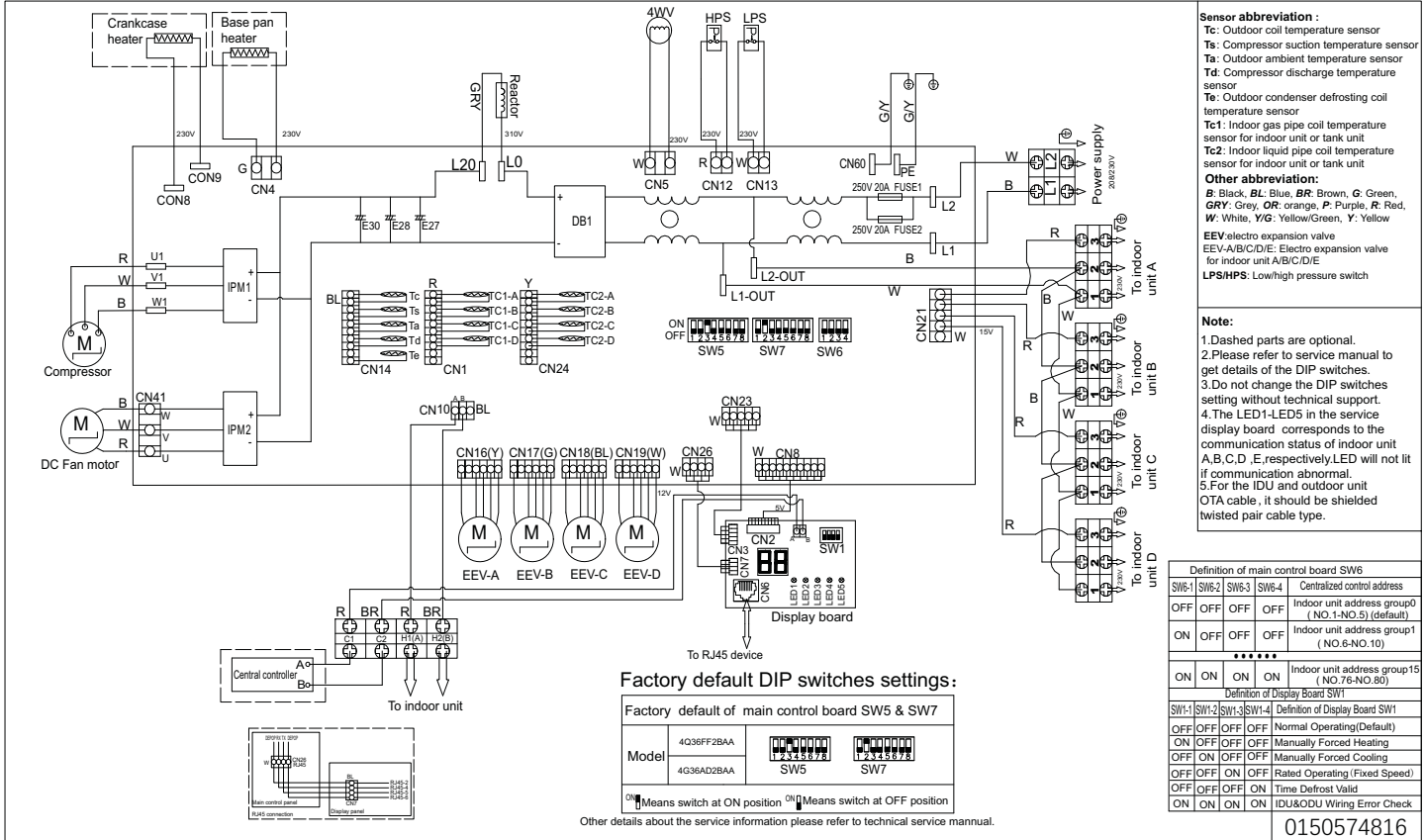


3G24AD2BEA  
3G24ED2BEA

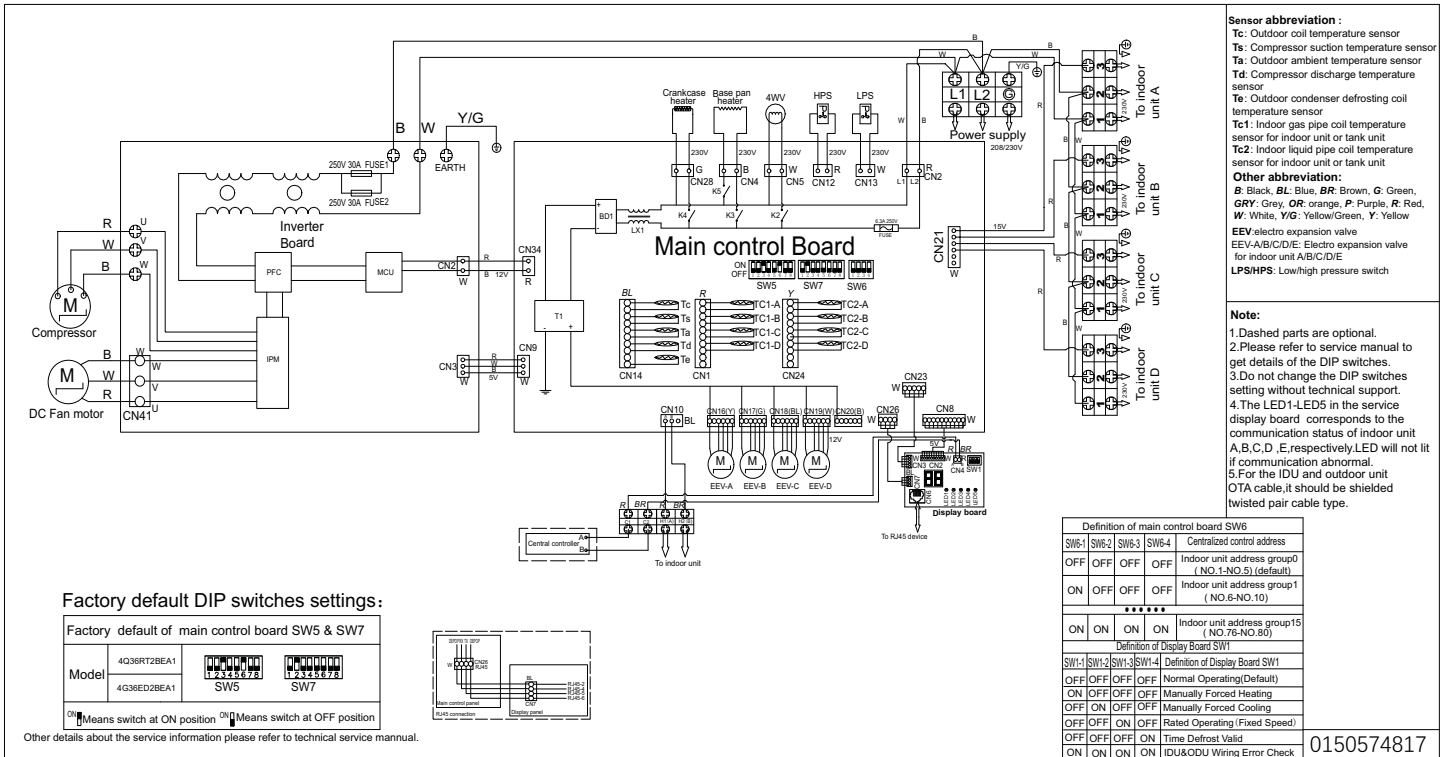


# 3. OUTDOOR UNITS

## 4G36AD2BEA



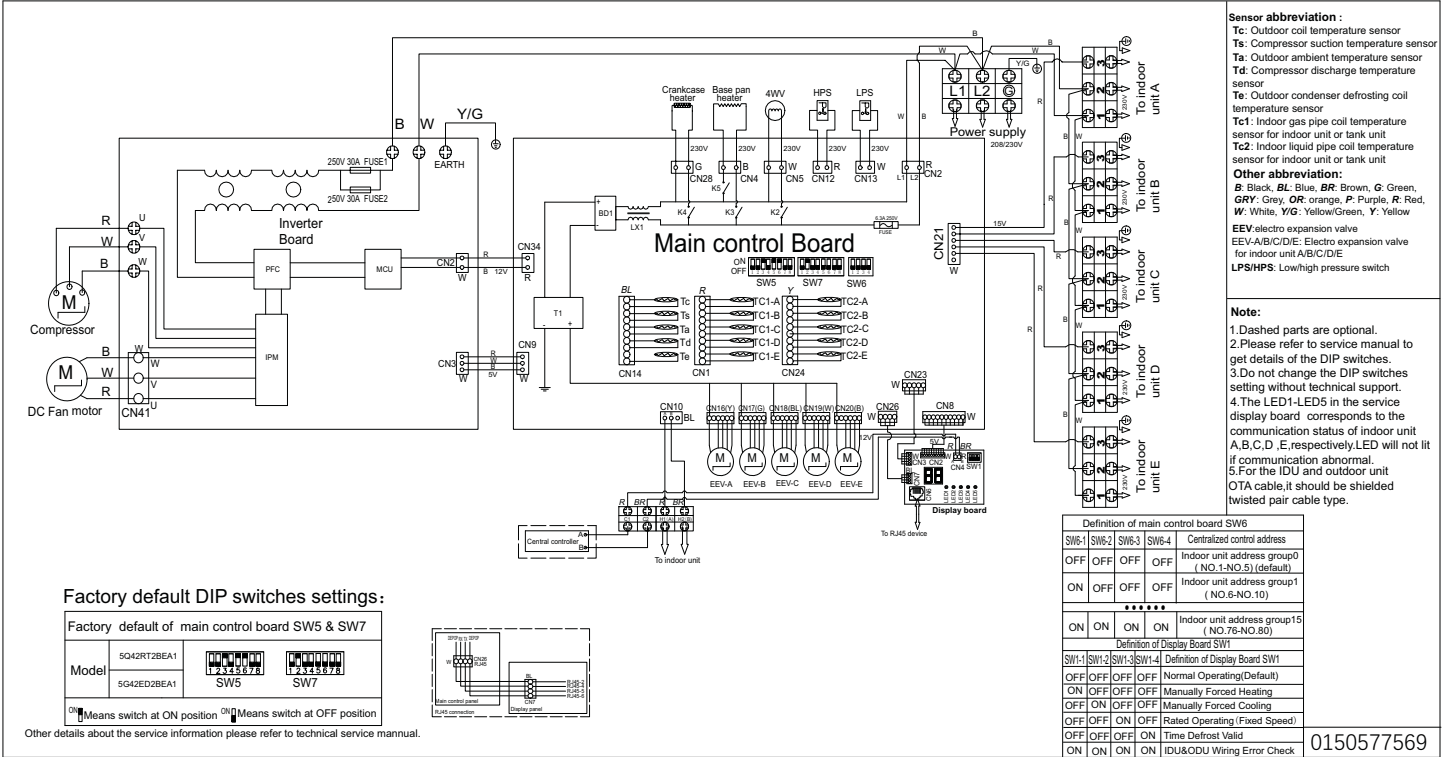
## 4G36ED2BEA



# 3. OUTDOOR UNITS

5G42ED2BEA

ENGLISH

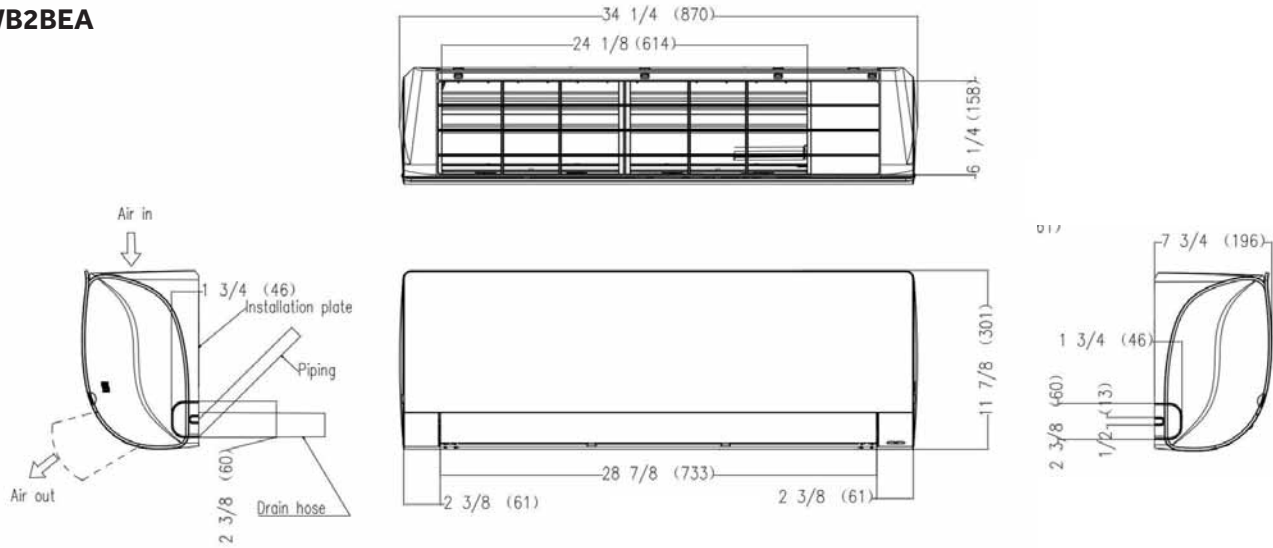


0150577569

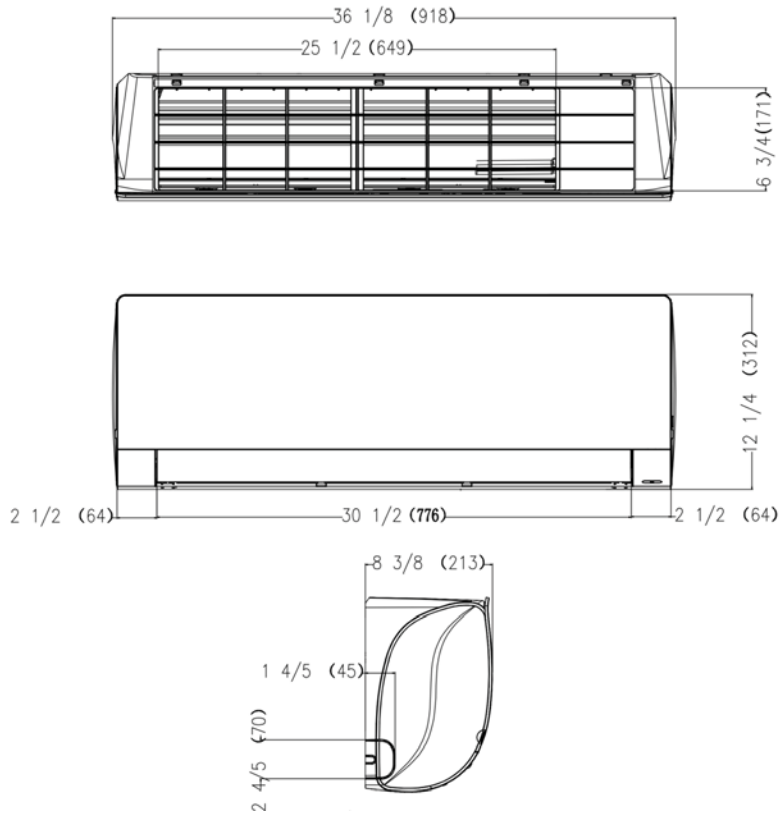
# 4. HIGHWALL INDOOR UNITS

## 4.1 Dimensions

GS07WB2BEA  
 GS09WB2BEA  
 GS12WB2BEA

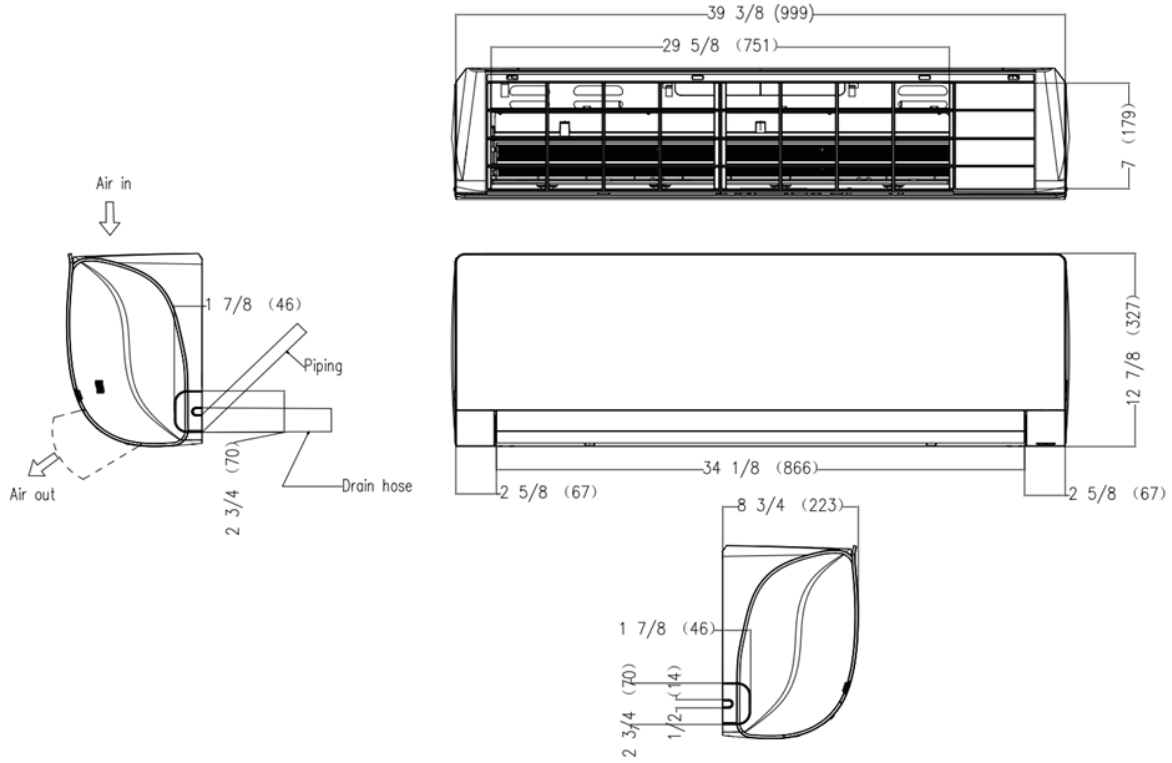


GS15WB2BEA

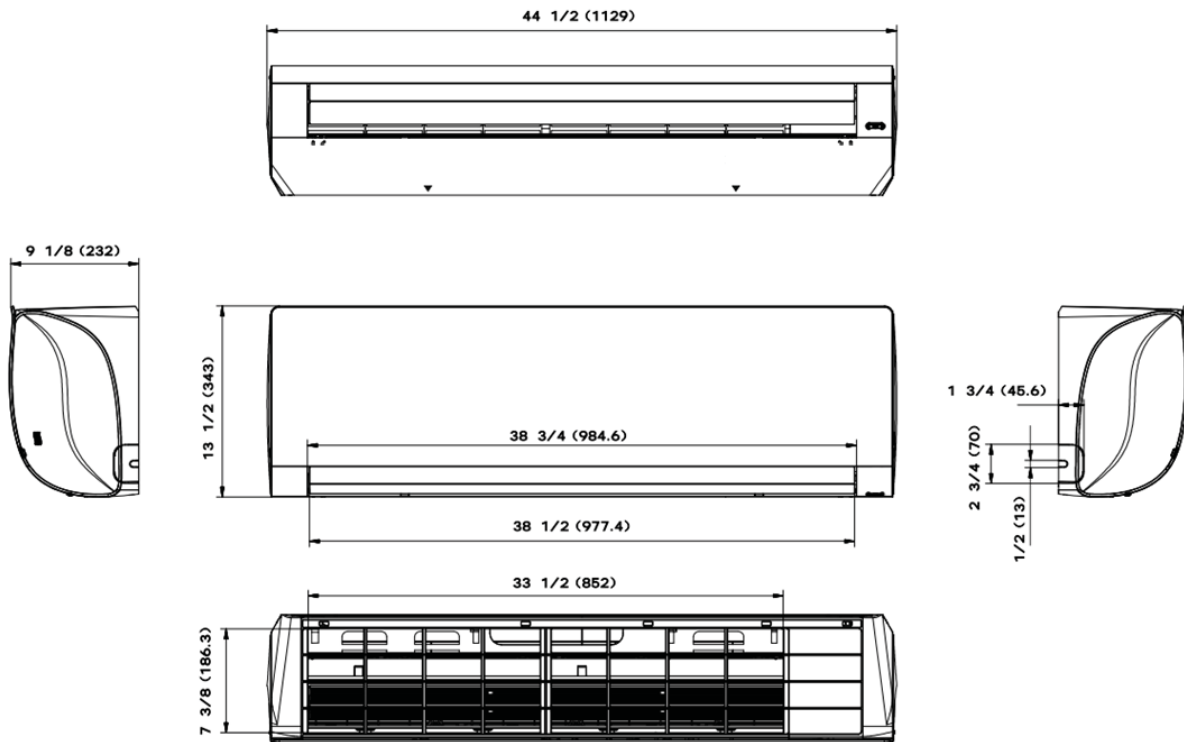


# 4. HIGHWALL INDOOR UNITS

## GS18WB2BEA

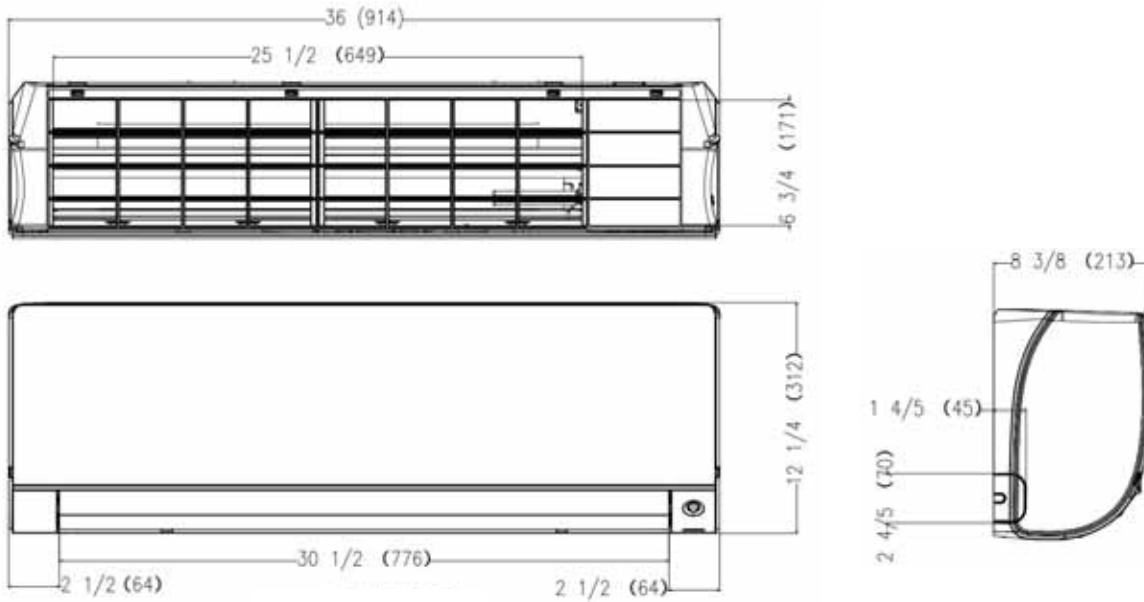


## GS24WB2BEA

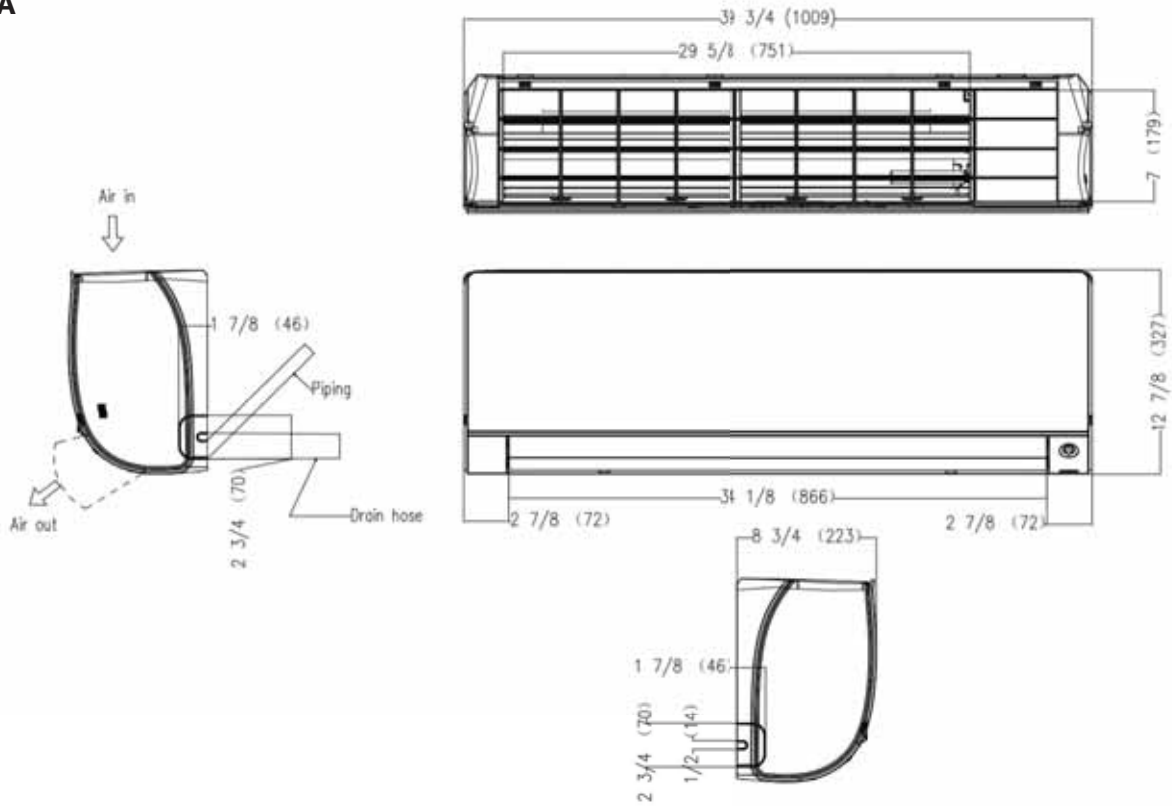


# 4. HIGHWALL INDOOR UNITS

GS09WP2BEA  
GS12WP2BEA



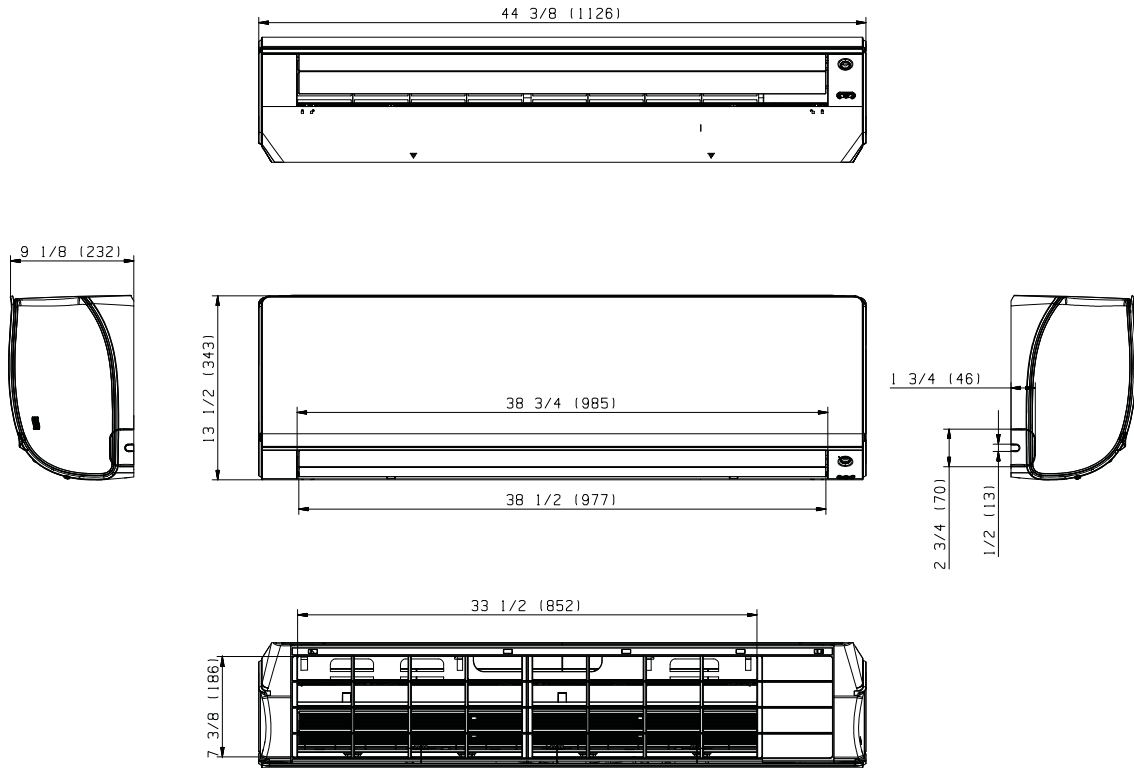
GS18WP2BEA



# 4. HIGHWALL INDOOR UNITS

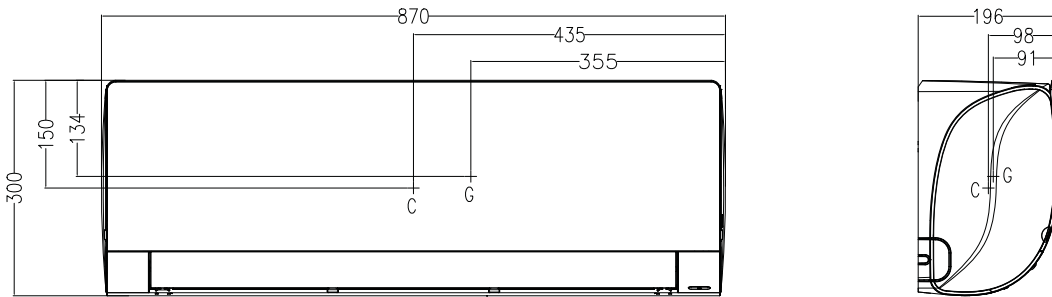
ENGLISH

## GS24WP2BEA

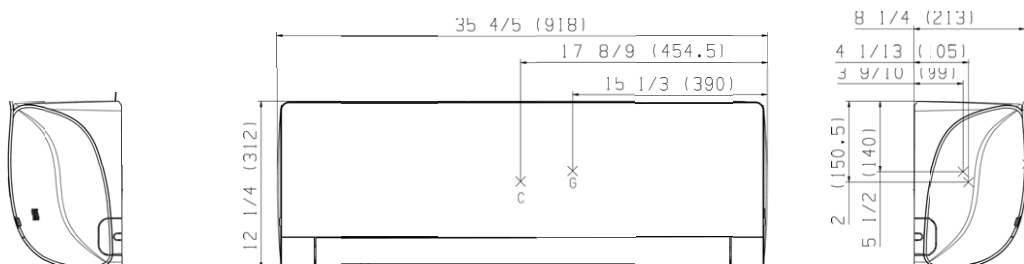


## 4.2 Center of Gravity

- GS07WB2BEA
- GS09WB2BEA
- GS12WB2BEA

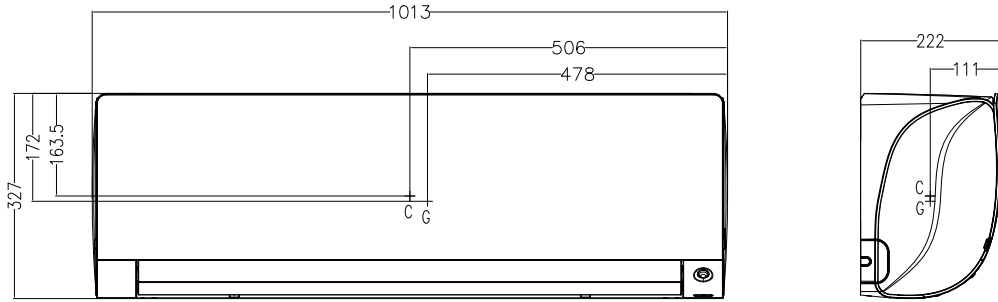


## GS15WB2BEA

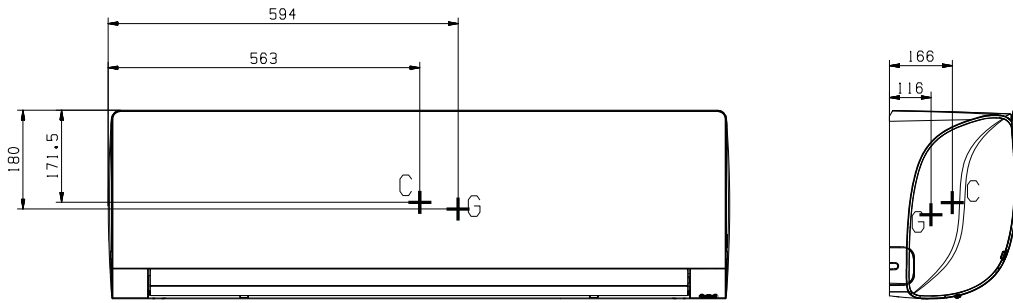


# 4. HIGHWALL INDOOR UNITS

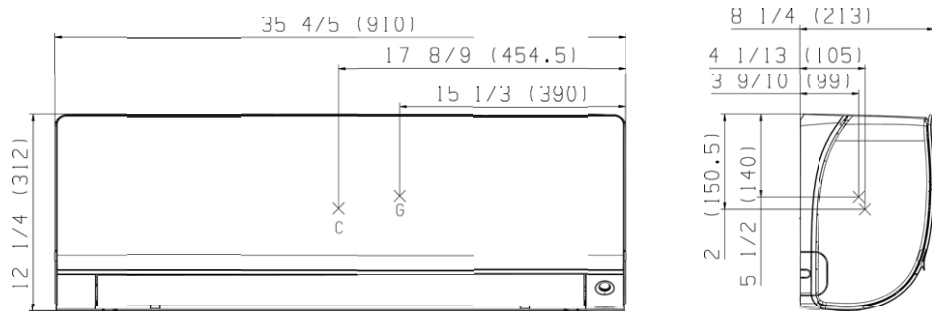
**GS18WB2BEA**



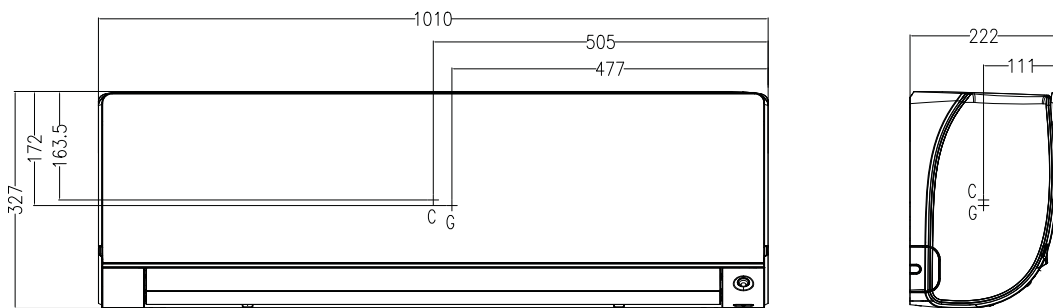
**GS24WB2BEA**



**GS09WP2BEA  
GS12WP2BEA**

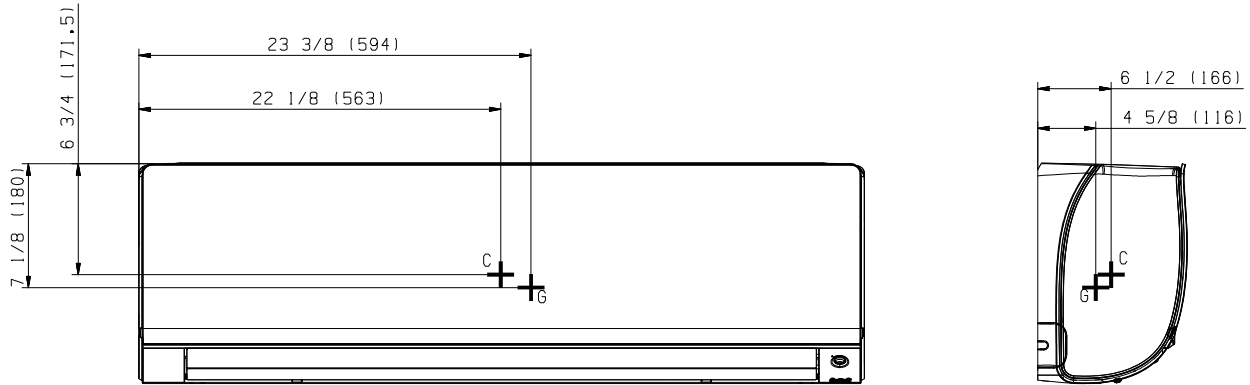


**GS18WP2BEA**



# 4. HIGHWALL INDOOR UNITS

## GS24WP2BEA



### 4.3 General

#### (4.3.1) Indoor Unit Description

- A. The wall mounted indoor section completes the system when connected to the matching outdoor unit and field-supplied piping and wiring.

#### (4.3.2) Sound Ratings

- A. Sound ratings as measured according to test standard JIS C 9612:

Model	Sound Pressure Level dB(A) (Turbo/High/Med/Low/Quiet)	Sound Power Level dB(A) (Turbo/High/Med/Low/Quiet)	Microphone Location
GS07WB2BEA	44/38/35/32/27	52/46/43/40/35	
GS09WB2BEA	44/38/35/32/27	52/46/43/40/35	
GS12WB2BEA	44/39/36/33/27	52/47/44/41/35	
GS15WB2BEA	46/45/40/37/26	54/53/48/45/34	
GS18WB2BEA	50/46/44/40/35	58/54/52/48/43	
GS24WB2BEA	54/50/47/44/38	62/58/55/52/46	
GS09WP2BEA	44/42/37/32/29	52/50/45/40/37	
GS12WP2BEA	46/44/39/36/25	54/52/47/44/33	
GS18WP2BEA	51/50/44/37/26	59/58/52/45/34	
GS24WP2BEA	54/50/47/44/38	62/58/55/52/46	

### 4.4 Installation

#### (4.4.1) Condensate

- A. The wall mounted indoor shall be shipped with a insulated polyethylene condensate tubing (5/8"ID) attached from the factory.
- B. The wall mounted indoor unit shall ship with a 65ft (2m) corrugated drain tube that connects to the insulated drain tube.
- C. The wall mounted indoor unit shall be a gravity drain.

#### (4.4.2) Clearances

- A. The installer must follow the minimum clearances illustrated in the Installation Manual when installing the indoor unit.

### (4.4.3) Mounting

- A. The wall mounted indoor unit shall ship with a galvanized metal wall bracket.
- B. The wall bracket shall have multiple anchor points to provide the installer with many options to firmly attach the wall mounted indoor unit the wall.
- C. The field-supplied mounting hardware must be adequate to support the indoor unit.

## 4.5 Electrical Requirements

### (4.5.1) Electrical Disconnect

- A. Connecting wire must be continuous (without break) unless local code requires a disconnect at the indoor unit.
- B. If a disconnect is required by local code, it must be a 3-pole, single-throw type.

Model	Fan Motor Power Output (W)
GS07WB2BEA GS09WB2BEA GS12WB2BEA GS15WB2BEA GS18WB2BEA	40
GS24WB2BEA	70
GS09WP2BEA GS12WP2BEA GS18WP2BEA	40
GS24WP2BEA	70

## 4.6 Components

### (4.6.1) Coil

- A. The indoor coil shall be made with a blue colored hydrophobic coating on the aluminum fins and packed with internal grooved copper tubing, to increase the effective heat exchange surface area by 25%.
- B. Copper tubing shall have inner micro-grooves to increase effective heat transfer capabilities.
- C. Coils shall be pressure tested at 600-650 PSI using helium leak detection.
- D. The coil shall be charged with dry nitrogen for shipping at 70-100 PSI.

### (4.6.2) Fan Motor

- A. The fan motor shall be a sealed DC multiple-speed resin-packed motor
- B. The fan motor shall have permanently lubricated bearings.

### (4.6.3) Fan Blade

- A. The fan blade shall be a corrosion-resistant cross-flow blower.
- B. The fan shall be designed with optimized diameter and surface area to deliver quiet and even air flow.

### (4.6.4) Copper Piping

- A. The coil shall be connected to a length of insulated annealed copper.
- B. The ends of the tubing shall have male flare connections.

### (4.6.5) Air Louvers

- A. The supply air shall be distributed by horizontal non-

motorized and vertical motorized louvers.

- B. Air Louvers shall provide wide angle of operation for both horizontal (120°) and vertical (90° from top to down) airflow movement to provide room comfort for each corner.

### (4.6.6) Display

- A. The wall mounted indoor unit shall have a 4.5 x 1.1-inch backlit temperature display capable of showing set or room temperatures.
- B. The display shall also have colored icons representing set mode.
- C. The display can be turned off from the wireless remote control.

### (4.6.7) WiFi

- A. Wall mounted indoor units shall come equipped with WiFi capabilities.

### (4.6.8) Filter

- A. The wall mounted indoor unit shall have removable air filters.
- B. The air filters shall be washable and reusable.

### (4.6.9) Control

- A. The wall mounted indoor unit shall ship with the standard hand-held remote control..

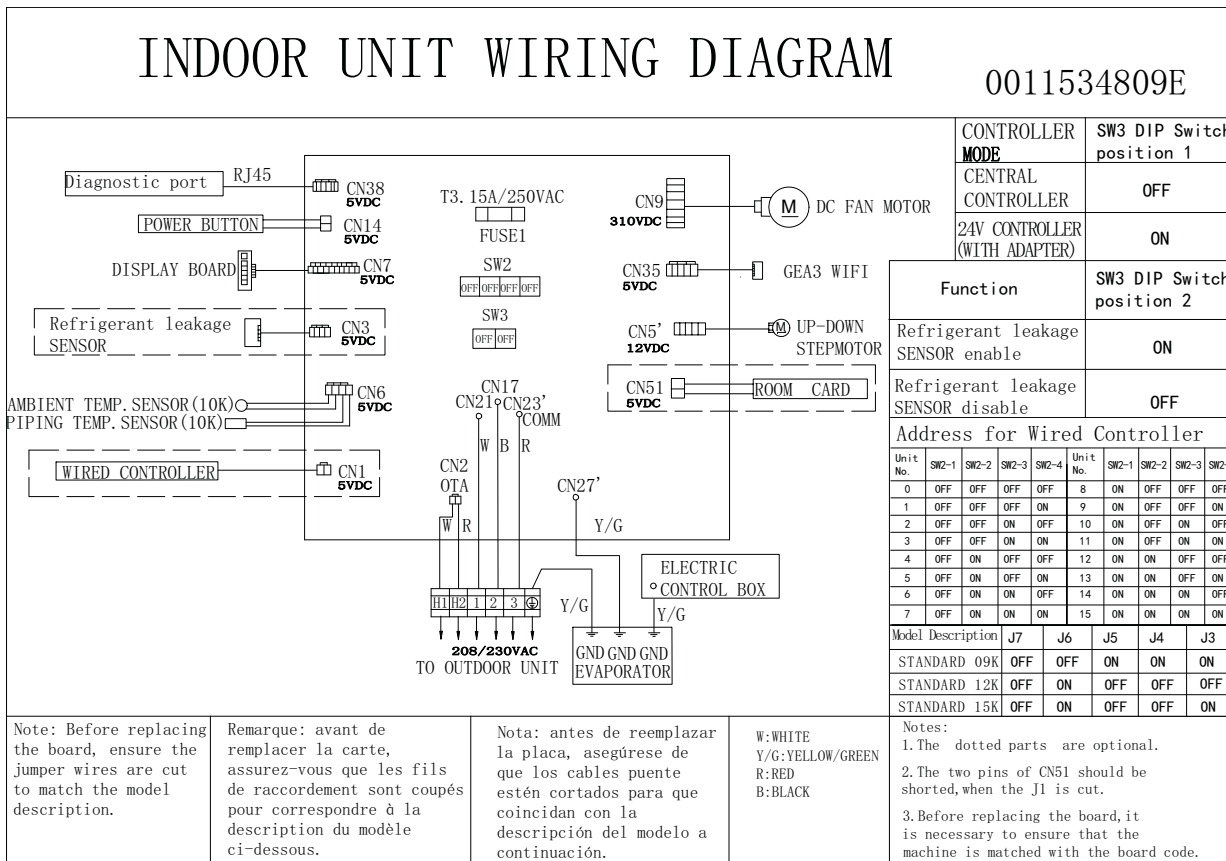
### (4.6.10) Installation Clip

- A. The wall mounted indoor unit shall have a built-in clip that swings out and acts as a kick stand to allow for easier access to the rear of the unit during installation and repair.

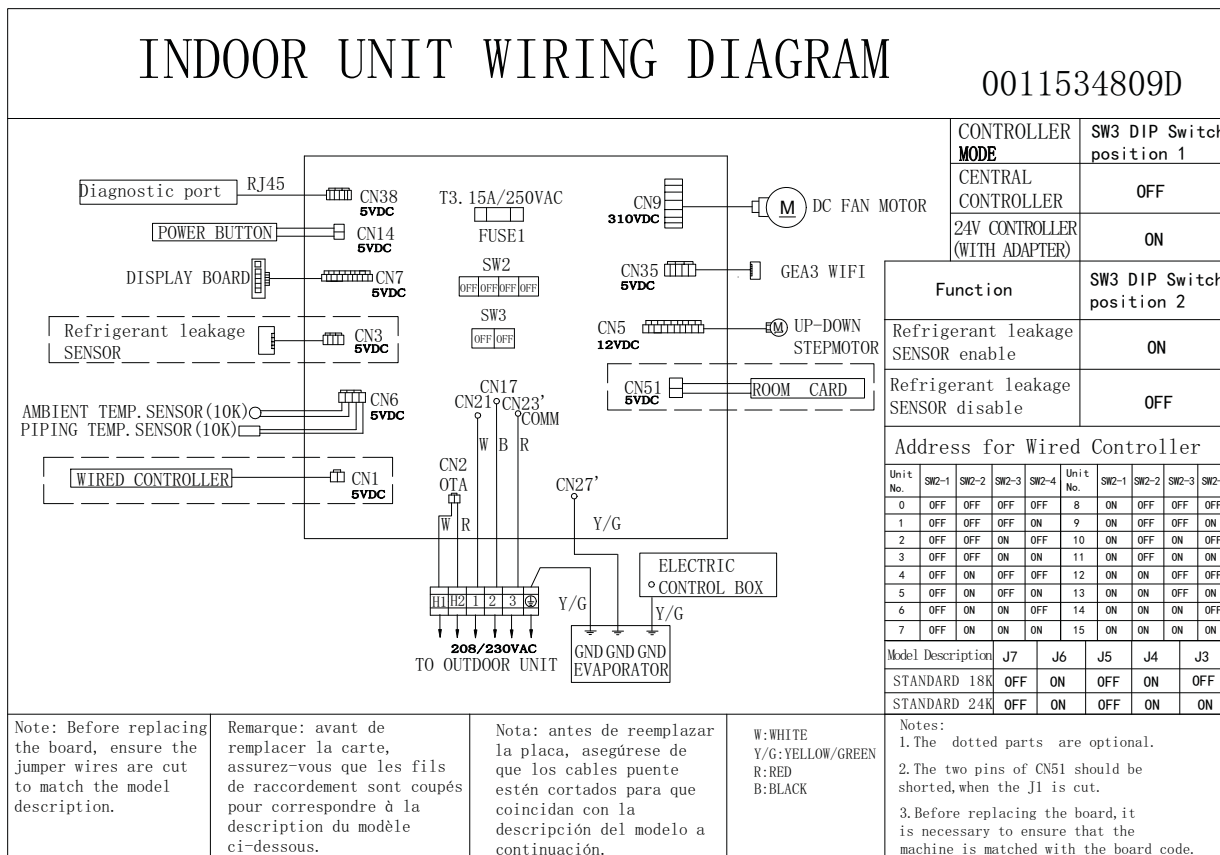
# 4. HIGHWALL INDOOR UNITS

## 4.7 Wiring Diagrams

GS07WB2BEA GS09WB2BEA GS12WB2BEA GS15WB2BEA



GS18WB2BEA GS24WB2BEA



# 4. HIGHWALL INDOOR UNITS

GS09WP2BEA GS12WP2BEA

## INDOOR UNIT WIRING DIAGRAM

0011534809

CONTROLLER MODE		SW3 DIP Switch position 1							
CENTRAL CONTROLLER		OFF							
24V CONTROLLER (WITH ADAPTER)		ON							
Function		SW3 DIP Switch position 2							
Refrigerant leakage SENSOR enable		ON							
Refrigerant leakage SENSOR disable		OFF							
Address for Wired Controller									
Unit No.	SW2-1	SW2-2	SW2-3	SW2-4	Unit No.	SW2-1	SW2-2	SW2-3	SW2-4
0	OFF	OFF	OFF	OFF	8	ON	OFF	OFF	OFF
1	OFF	OFF	OFF	ON	9	ON	OFF	OFF	ON
2	OFF	OFF	ON	OFF	10	ON	OFF	ON	OFF
3	OFF	OFF	ON	ON	11	ON	OFF	ON	ON
4	OFF	ON	OFF	OFF	12	ON	ON	OFF	OFF
5	OFF	ON	OFF	ON	13	ON	ON	OFF	ON
6	OFF	ON	ON	OFF	14	ON	ON	ON	OFF
7	OFF	ON	ON	ON	15	ON	ON	ON	ON
Model Description		J7	J6	J5	J4	J3			
PREMIUM 09K		OFF	OFF	OFF	OFF	OFF			
PREMIUM 12K		OFF	OFF	OFF	OFF	ON			

Note: Before replacing the board, ensure the jumper wires are cut to match the model description.

Remarque: avant de remplacer la carte, assurez-vous que les fils de raccordement sont coupés pour correspondre à la description du modèle ci-dessous.

Nota: antes de reemplazar la placa, asegúrese de que los cables puente estén cortados para que coincidan con la descripción del modelo a continuación.

W: WHITE  
Y/G: YELLOW/GREEN  
R: RED  
B: BLACK

Notes:  
1. The dotted parts are optional.  
2. The two pins of CN51 should be shorted, when the J1 is cut.  
3. Before replacing the board, it is necessary to ensure that the machine is matched with the board code.

GS18WP2BEA GS24WP2BEA

## INDOOR UNIT WIRING DIAGRAM

0011534809A

CONTROLLER MODE		SW3 DIP Switch position 1							
CENTRAL CONTROLLER		OFF							
24V CONTROLLER (WITH ADAPTER)		ON							
Function		SW3 DIP Switch position 2							
Refrigerant leakage SENSOR enable		ON							
Refrigerant leakage SENSOR disable		OFF							
Address for Wired Controller									
Unit No.	SW2-1	SW2-2	SW2-3	SW2-4	Unit No.	SW2-1	SW2-2	SW2-3	SW2-4
0	OFF	OFF	OFF	OFF	8	ON	OFF	OFF	OFF
1	OFF	OFF	OFF	ON	9	ON	OFF	OFF	ON
2	OFF	OFF	ON	OFF	10	ON	OFF	ON	OFF
3	OFF	OFF	ON	ON	11	ON	OFF	ON	ON
4	OFF	ON	OFF	OFF	12	ON	ON	OFF	OFF
5	OFF	ON	OFF	ON	13	ON	ON	OFF	ON
6	OFF	ON	ON	OFF	14	ON	ON	ON	OFF
7	OFF	ON	ON	ON	15	ON	ON	ON	ON
Model Description		J7	J6	J5	J4	J3			
PREMIUM 18K		OFF	OFF	OFF	ON	OFF			
PREMIUM 24K		OFF	OFF	OFF	ON	ON			

Note: Before replacing the board, ensure the jumper wires are cut to match the model description.

Remarque: avant de remplacer la carte, assurez-vous que les fils de raccordement sont coupés pour correspondre à la description du modèle ci-dessous.

Nota: antes de reemplazar la placa, asegúrese de que los cables puente estén cortados para que coincidan con la descripción del modelo a continuación.

W: WHITE  
Y/G: YELLOW/GREEN  
R: RED  
B: BLACK

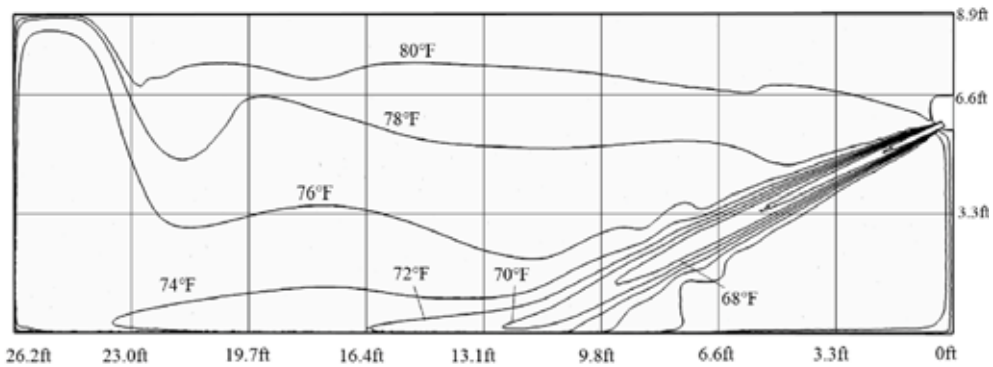
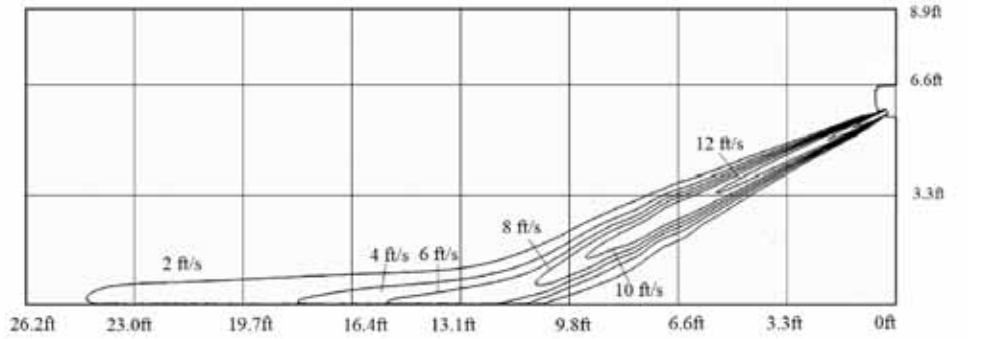
Notes:  
1. The dotted parts are optional.  
2. The two pins of CN51 should be shorted, when the J1 is cut.  
3. Before replacing the board, it is necessary to ensure that the machine is matched with the board code.

# 4. HIGHWALL INDOOR UNITS

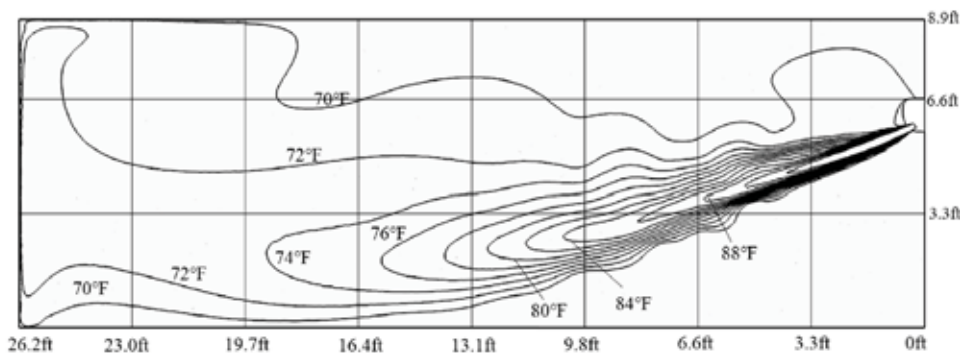
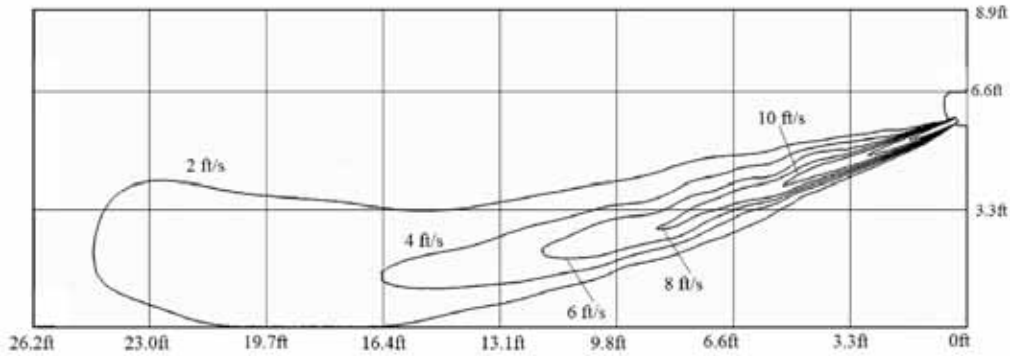
## 4.8 Air Velocity and Temperature Distribution

GS07WB2BEA  
GS09WB2BEA  
GS12WB2BEA

### COOLING



### HEATING

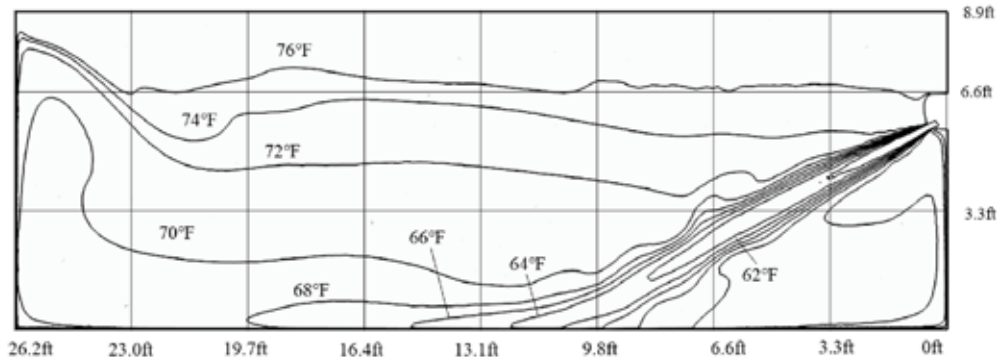
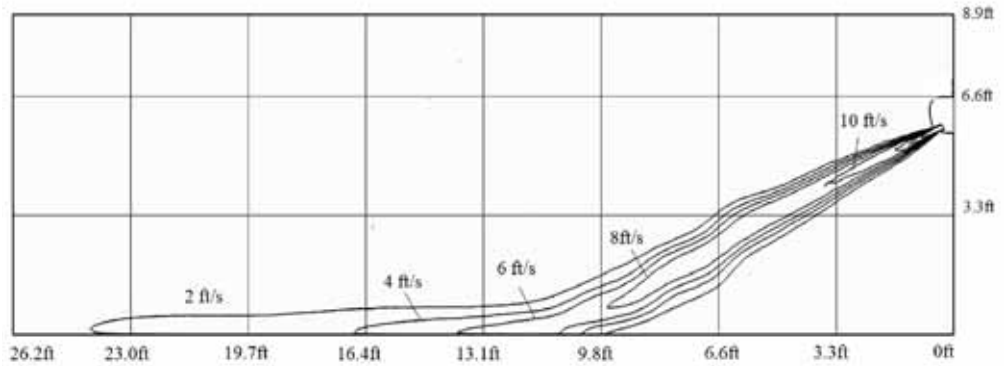


# 4. HIGHWALL INDOOR UNITS

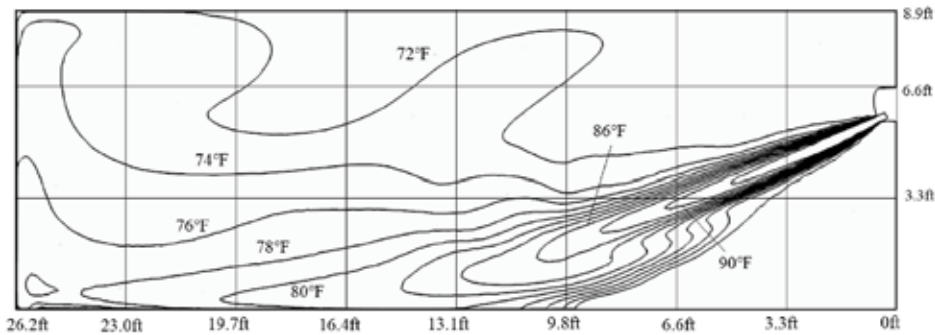
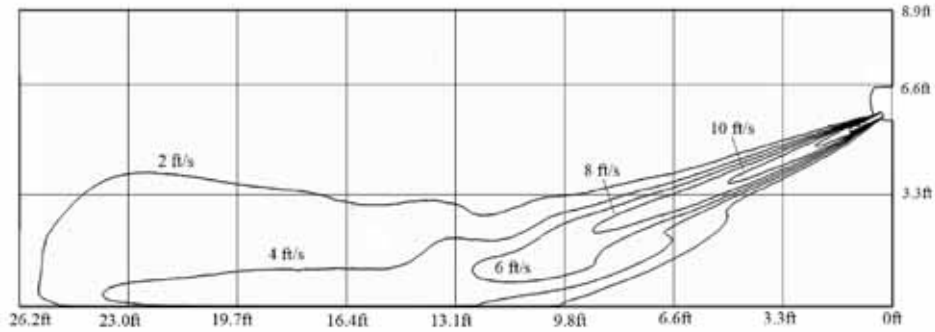
GS15WB2BEA  
GS18WB2BEA

ENGLISH

## COOLING



## HEATING

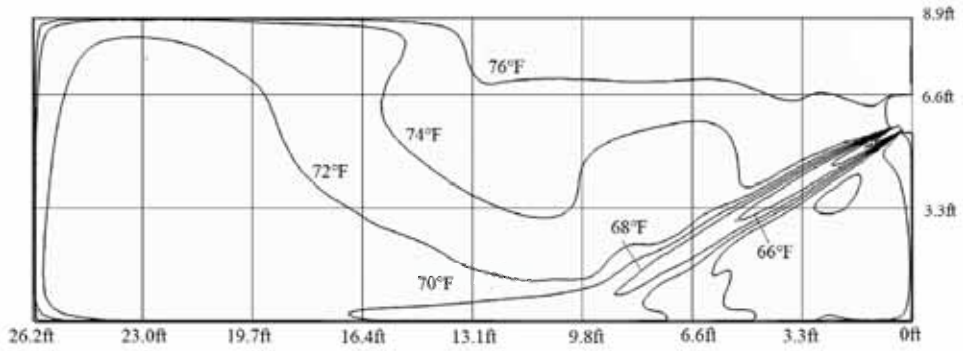
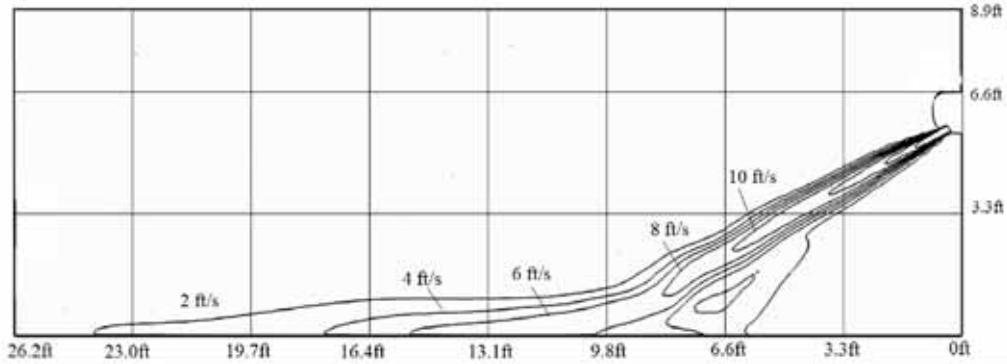


# 4. HIGHWALL INDOOR UNITS

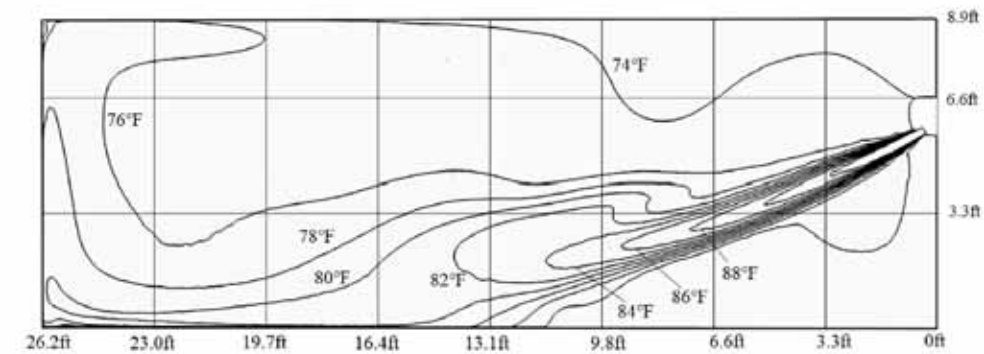
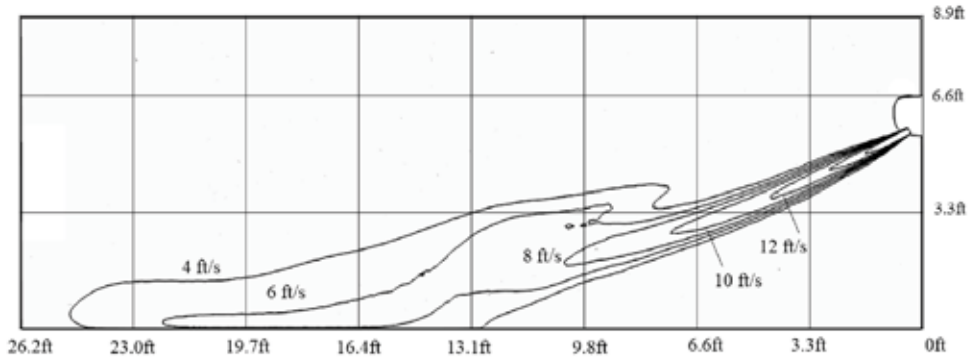
GS24WB2BEA

ENGLISH

## COOLING



## HEATING

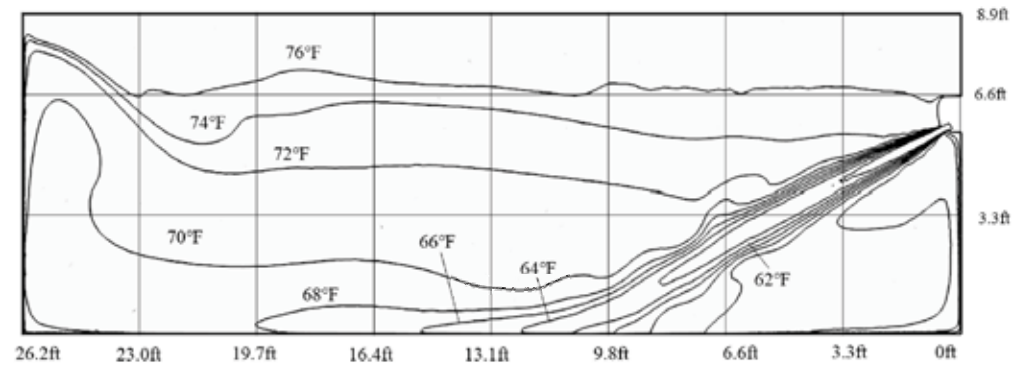
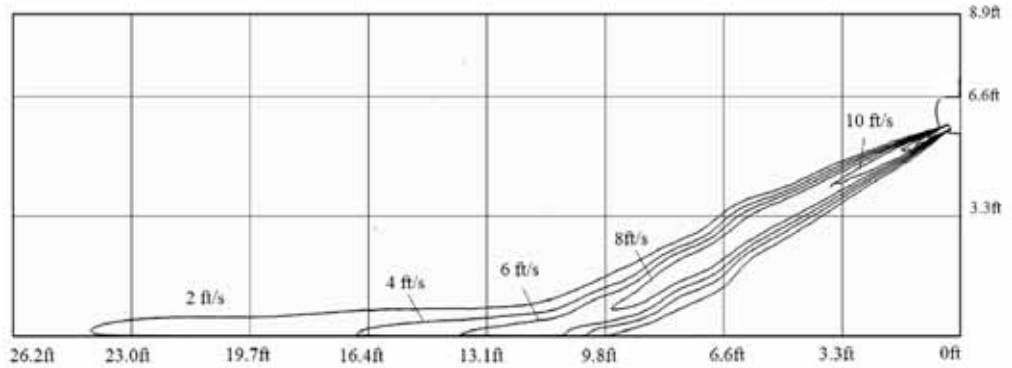


# 4. HIGHWALL INDOOR UNITS

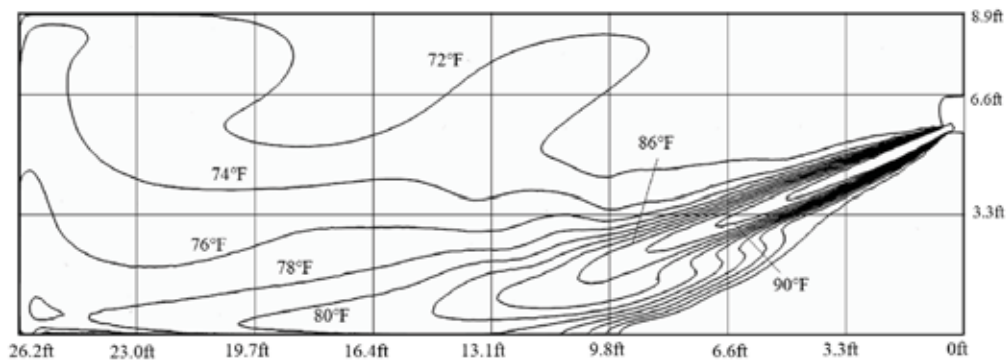
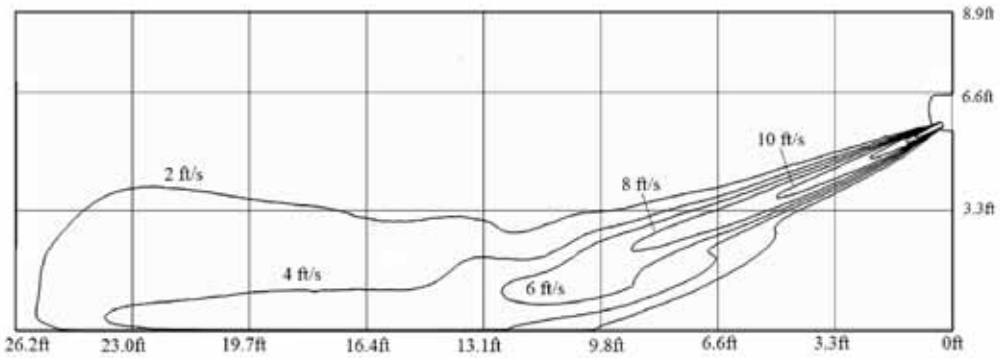
GS09WP2BEA  
GS12WP2BEA  
GS18WP2BEA

ENGLISH

## COOLING



## HEATING

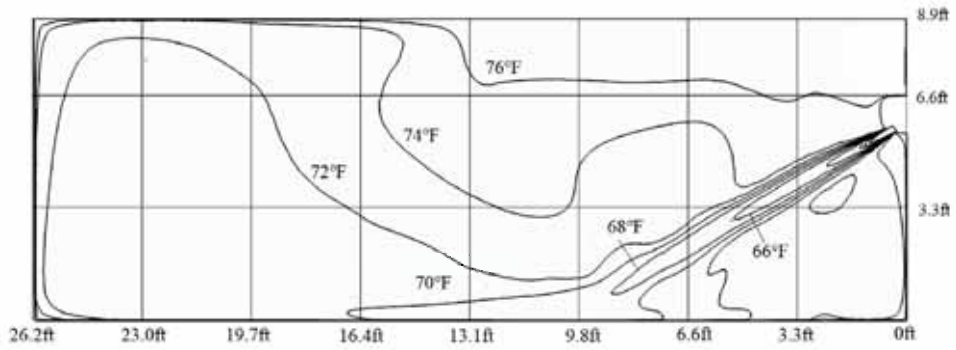
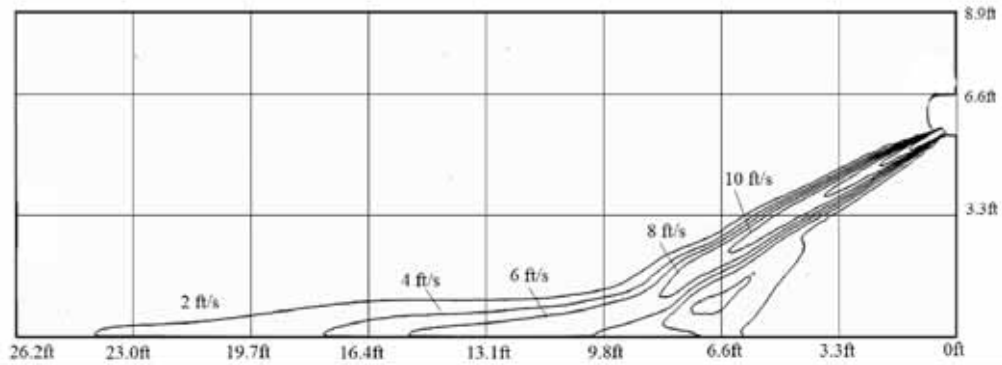


# 4. HIGHWALL INDOOR UNITS

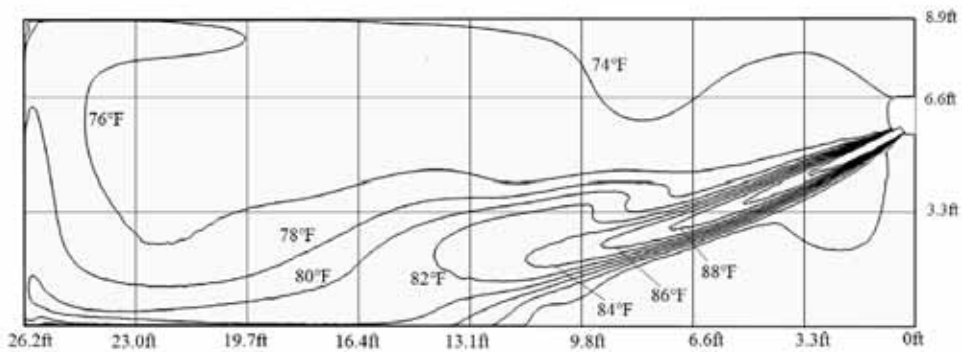
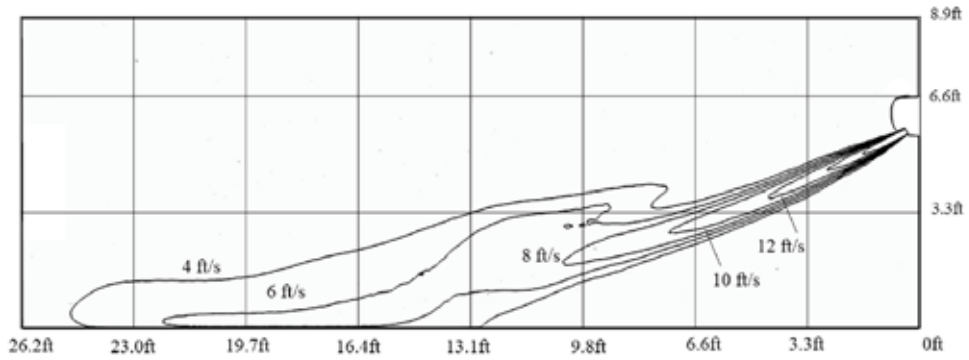
GS24WP2BEA

ENGLISH

## COOLING



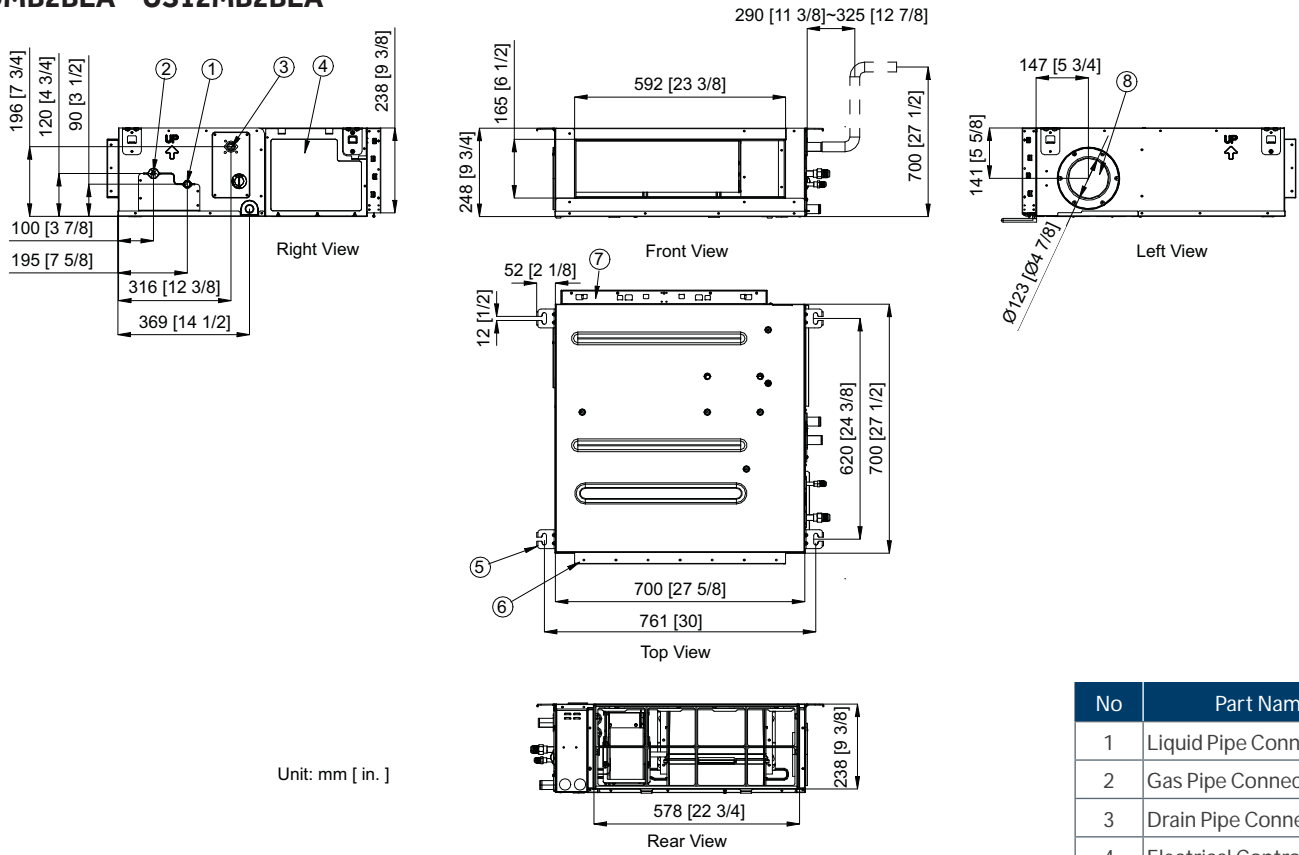
## HEATING



# 5. DUCTED INDOOR UNITS

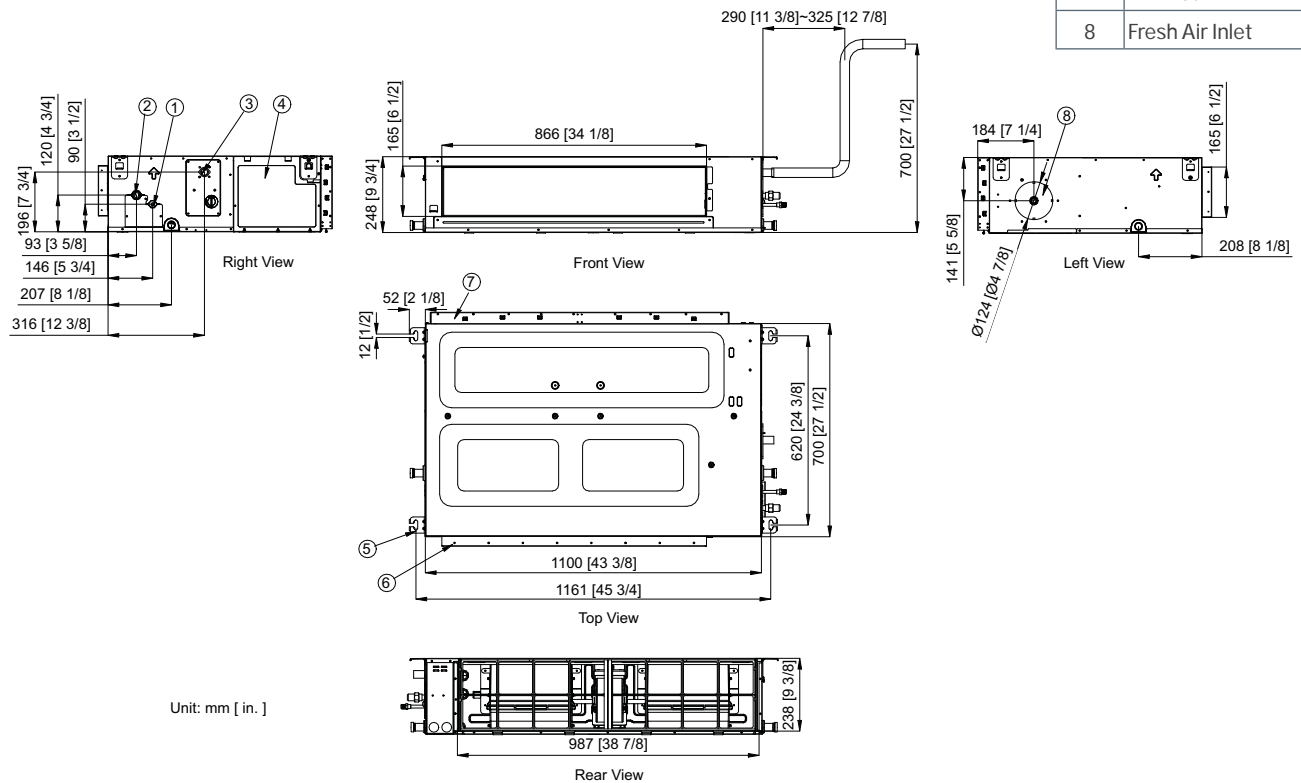
## 5.1 Dimensions

### US09MB2BEA US12MB2BEA



No	Part Name
1	Liquid Pipe Connection
2	Gas Pipe Connection
3	Drain Pipe Connection
4	Electrical Control Box
5	Suspension Hanger
6	Air Outlet
7	Air Inlet
8	Fresh Air Inlet

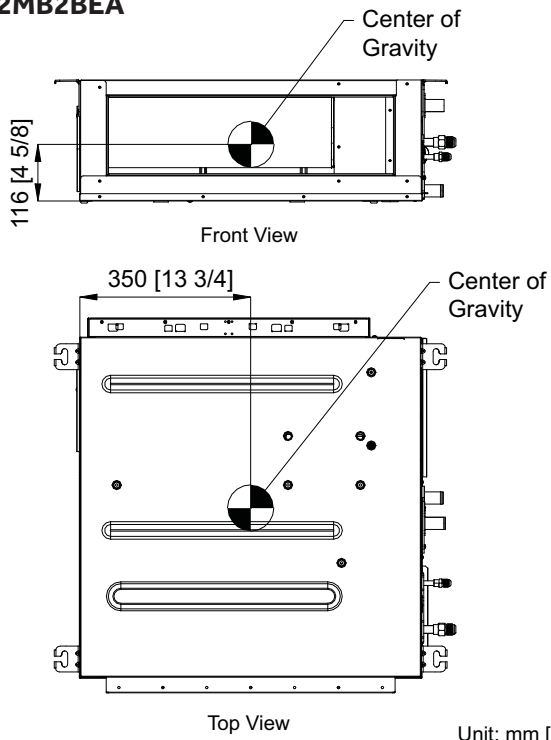
### US18MB2BEA US24MB2BEA



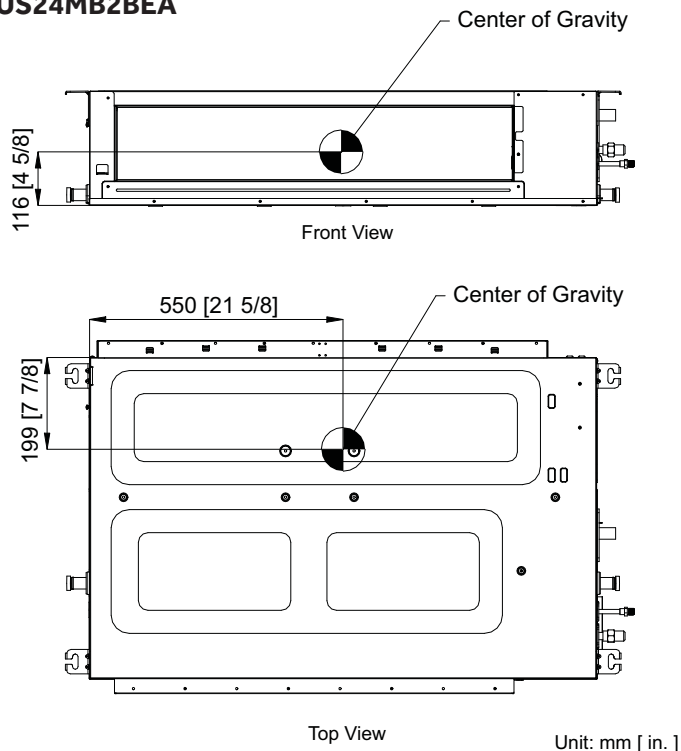
# 5. DUCTED INDOOR UNITS

## 5.2 Center of Gravity

US09MB2BEA  
US12MB2BEA



US18MB2BEA  
US24MB2BEA



## 5.3 General

### (5.3.1) Indoor Unit Description

- A. The ducted indoor unit completes the system when connected to the matching outdoor unit and field-supplied piping and wiring

### (5.3.2) Sound Ratings

Model	Sound Pressure Level dB(A) (Turbo/High/Med/Low/Quiet)	Sound Power Level dB(A) (Turbo/High/Med/Low/Quiet)
US09MB2BEA	44/41/38/35/32	59/56/53/50/47
US12MB2BEA	47/44/41/38/35	62/59/56/53/50
US18MB2BEA	48/45/42/39/36	63/60/57/54/51
US24MB2BEA	44/43/42/40/38	59/58/57/55/53

### (5.3.3) Warranty

- A. The ducted indoor unit shall be covered by a manufacture parts warranty.

## 5.4 Installation

### (5.4.1) Condensate

- A. The ducted indoor unit shall ship with an insulated drain tube adapter that is sized for 3/4-inch PVC on one end.
- B. The ducted indoor unit shall have a gravity drain port on one side of the unit.

### (5.4.2) Clearances

- A. The installer must follow the minimum clearances illustrated in the installation manual when installing the indoor unit.

### (5.4.3) Mounting

- A. The ducted indoor unit shall have 4 hanging brackets that are sized for 3/8 threaded rod.
- B. The installer must use 3/8 threaded rod to suspend the mid-static ducted indoor unit from the building structure.
- C. The installer must install the unit upright and level in all directions.

## 5.5 Electrical Requirements

### (5.5.1) Electrical Disconnect

- A. Connecting wire must be continuous (without break) unless local code requires a disconnect at the indoor unit.
- B. If a disconnect is required by local code, it must be a 3-pole, single-throw type.

Model	Fan Motor Power Output (W)
US09MB2BEA	130
US12MB2BEA	
US18MB2BEA	200
US24MB2BEA	200

## 5.6 Components

### (5.6.1) Coil

- A. Coil shall be painted with a hydrophilic coating to increase airflow efficiency.
- B. Copper tubing shall have inner micro grooves to increase effective heat transfer capabilities.
- C. Coils shall be pressure tested at 600-650 PSI using Helium leak detection.
- D. The coil shall be charged with dry nitrogen for shipping at 70-100 PSI pressure.

### (5.6.2) Fan Motor

- A. The ducted fan motor shall be a sealed DC resin-packed motor.
- B. The fan motor shall have permanently lubricated bearings

### (5.6.3) Fan Blade

- A. The fan blade shall be a non-corrodible centrifugal fan blower.

### (5.6.4) Copper Piping

- A. The coil shall be connected to a length of insulated annealed copper.
- B. The ends of the tubing shall have female flare connections.

### (5.6.5) Filter

- A. The ducted indoor unit shall have removable air filters.
- B. The air filters shall be washable and reusable.

### (5.6.6) Control

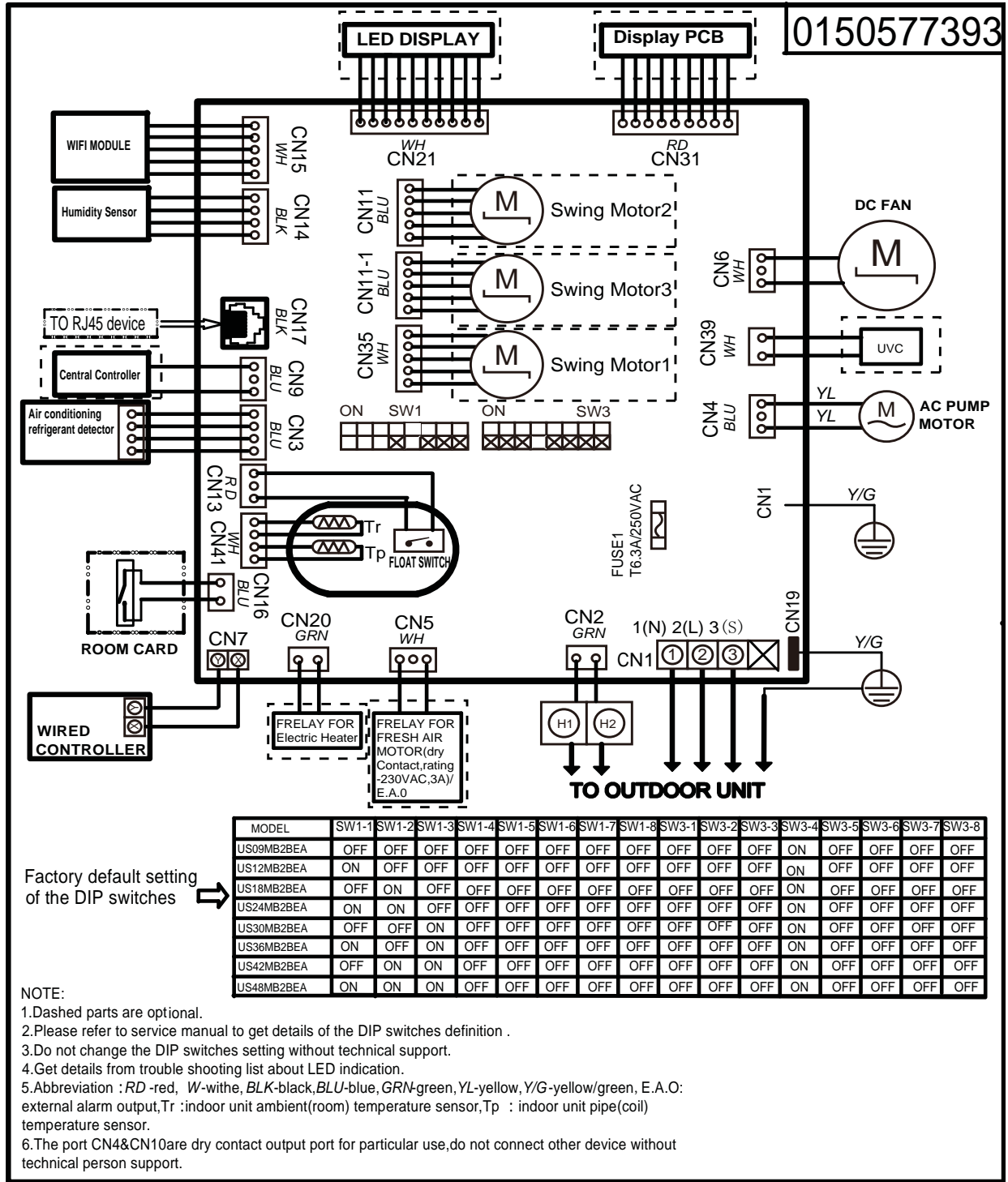
- A. The controller must be ordered separately.
- B. The ducted indoor unit shall be compatible with the standard remote control, simplified wired controller and programmable wired controller.

### (5.6.7) WiFi

- C. The ducted indoor unit shall include a WiFi adapter.

# 5. DUCTED INDOOR UNITS

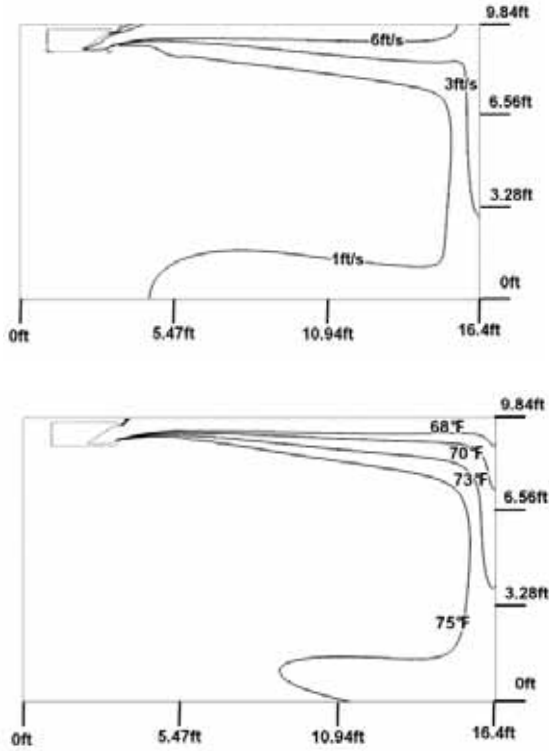
## 5.7 Wiring Diagrams



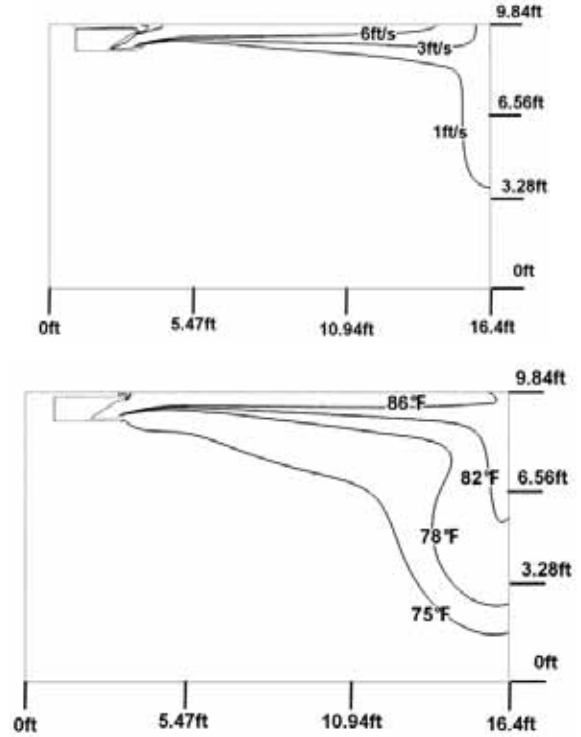
## 5.8 Air Velocity and Temperature Distribution

US09MB2BEA  
US12MB2BEA

COOLING

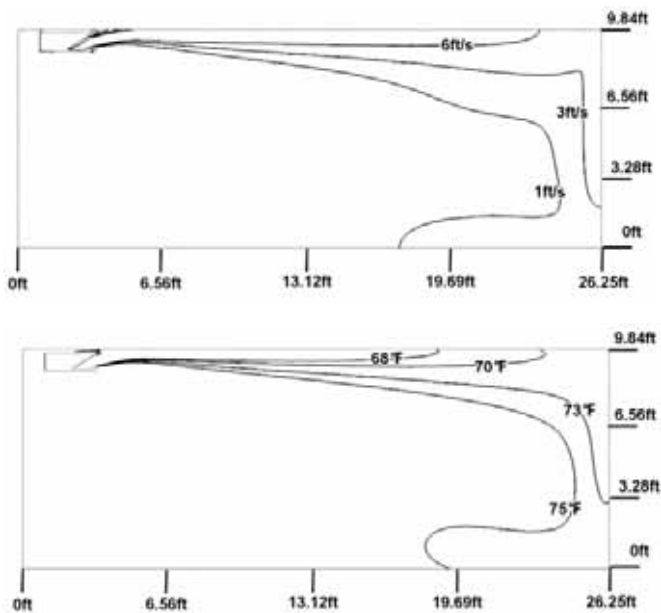


HEATING

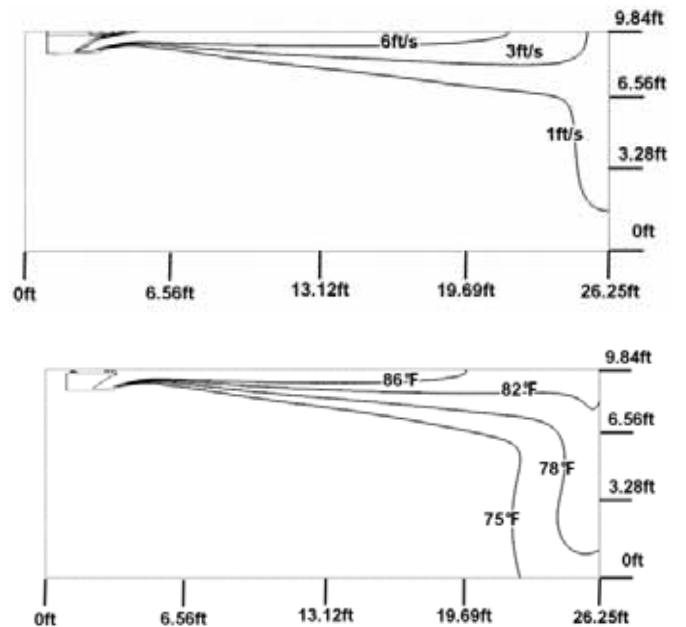


US18MB2BEA  
US24MB2BEA

COOLING

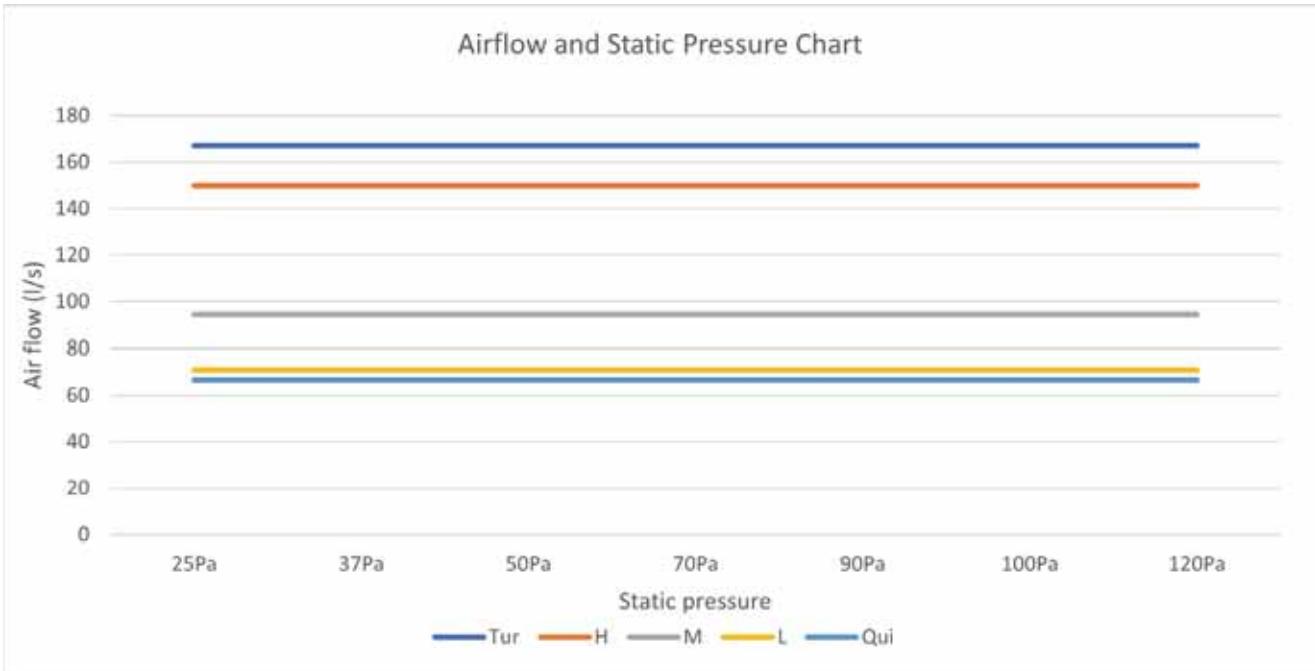


HEATING

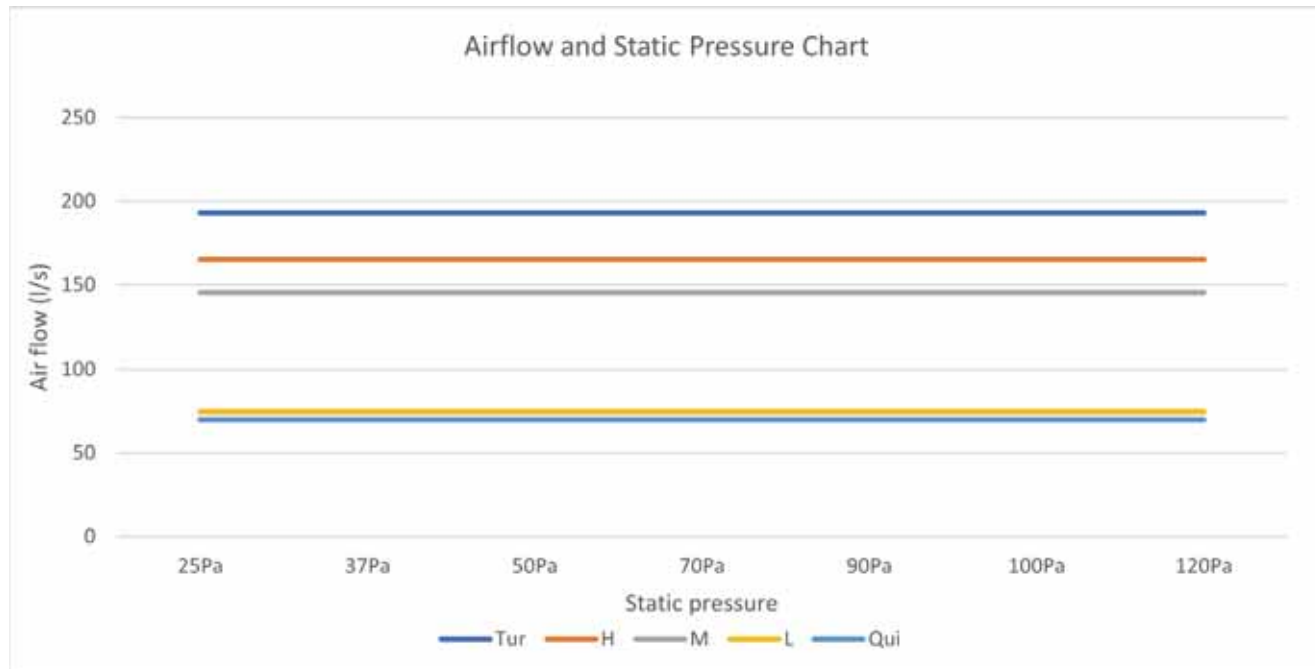


## 5.9 Airflow and Static Pressure

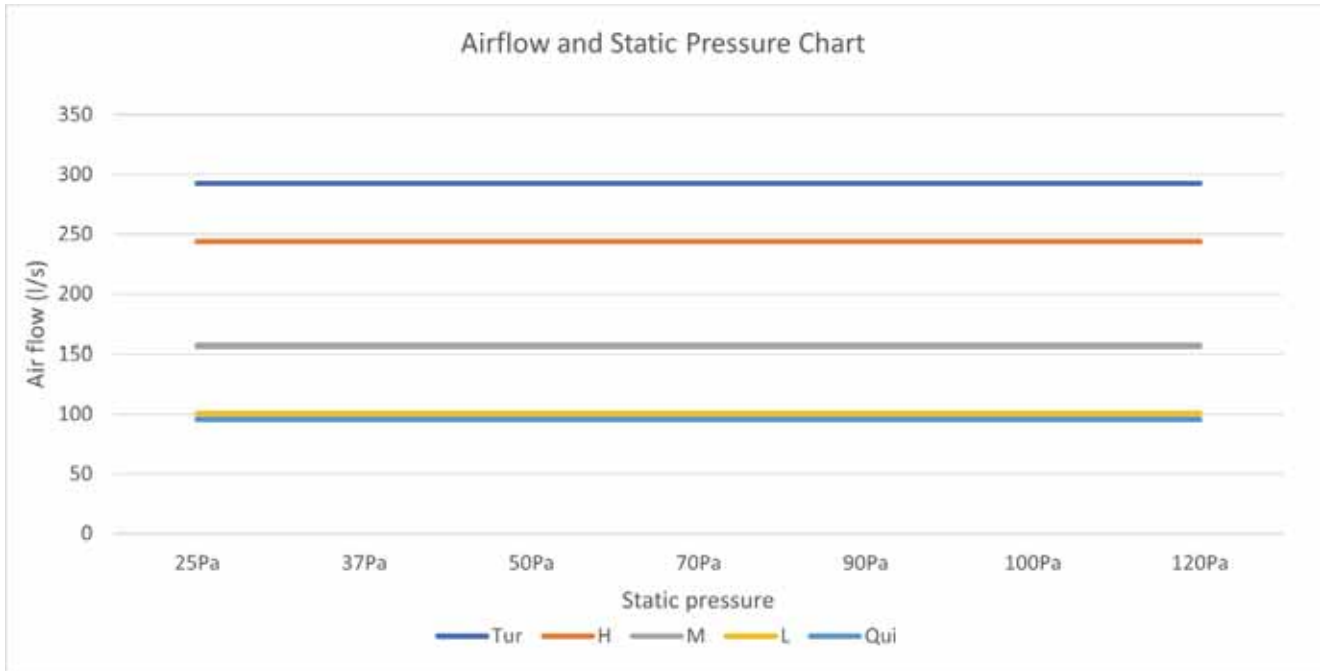
### US09MB2BEA



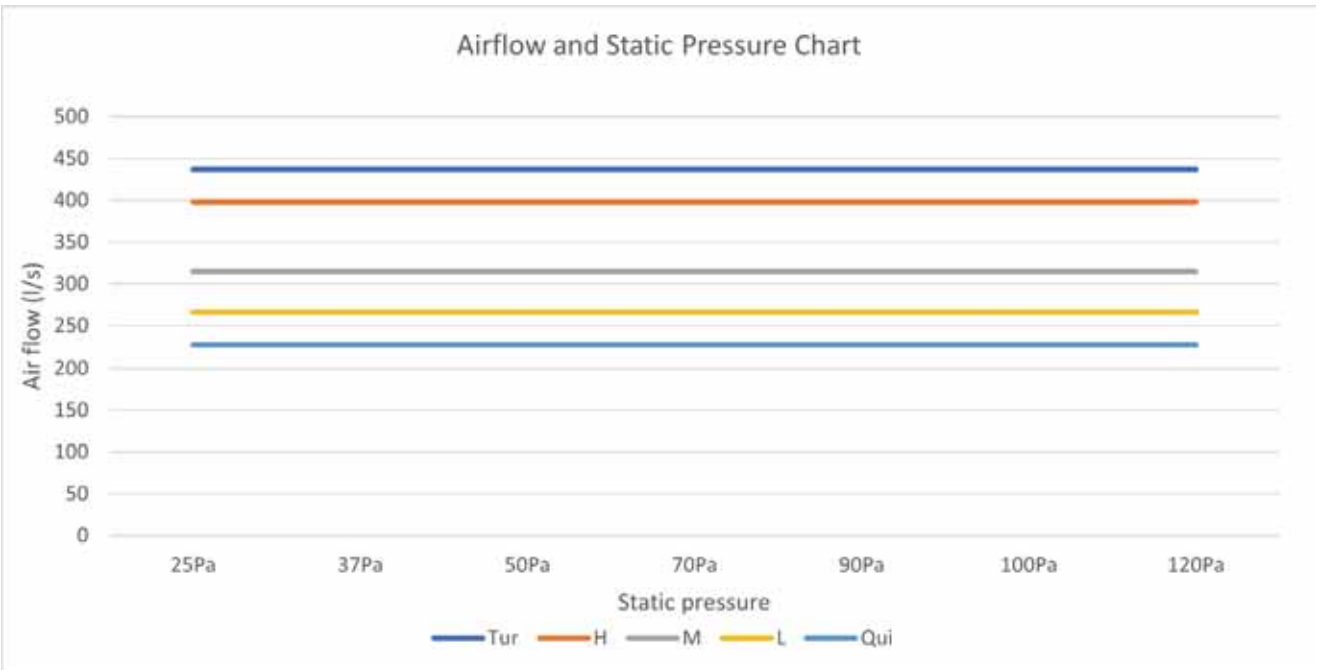
### US12MB2BEA



## US18MB2BEA



## US24MB2BEA

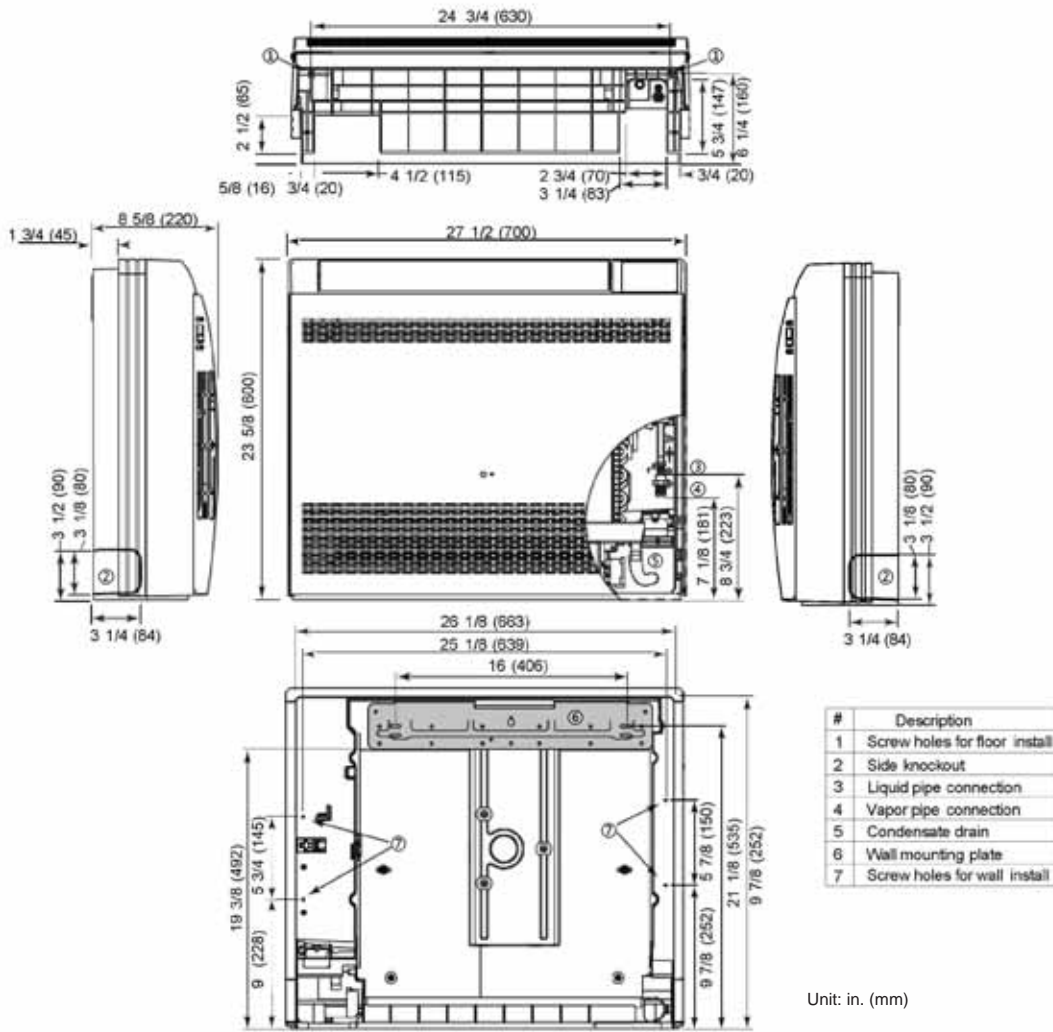


# 6. FLOOR CONSOLE INDOOR UNITS

ENGLISH

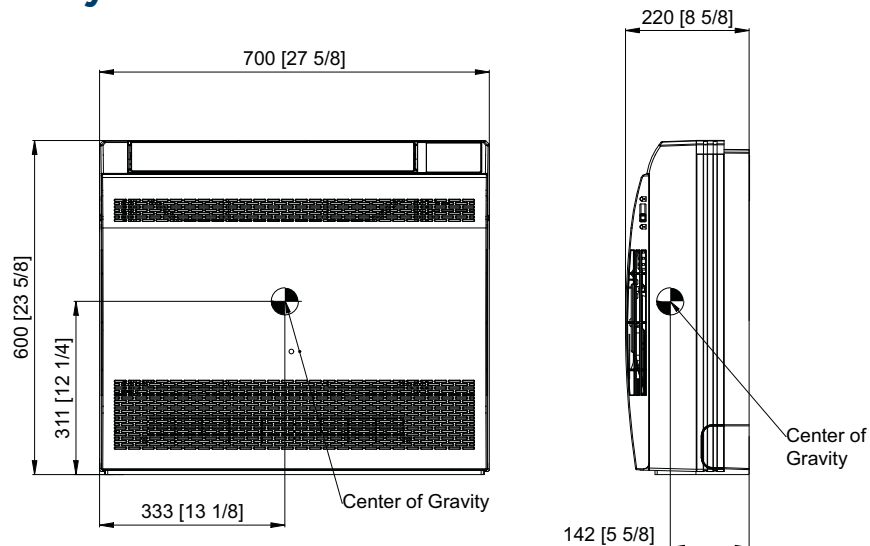
## 6.1 Dimensions

US09FB2BEA  
US12FB2BEA  
US18FB2BEA



## 6.2 Center of Gravity

US09FB2BEA  
US12FB2BEA  
US18FB2BEA



## 6.3 General

### (6.3.1) Indoor Unit Description

- A. The floor console indoor section completes the system when connected to the matching outdoor unit and field-supplied piping and wiring.

### (6.3.2) Sound Ratings

Model	Cooling Sound Level dB(A) (Turbo/High/Med/Low/Quiet)	Heating Sound Level dB(A) (Turbo/High/Med/Low/Quiet)
US09FB2BEA	Sound Pressure Rating: 44/40/37/32/24 Sound Power Rating: 55/51/48/43/35	Sound Pressure Rating: 43/37/32/27/20 Sound Power Rating: 54/48/43/38/31
US12FB2BEA	Sound Pressure Rating: 47/41/37/33/25 Sound Power Rating: 58/52/48/44/36	Sound Pressure Rating: 47/40/37/33/25 Sound Power Rating: 58/51/48/44/36
US18FB2BEA	Sound Pressure Rating: 49/44/43/40/37 Sound Power Rating: 60/55/54/51/48	Sound Pressure Rating: 49/43/43/37/37 Sound Power Rating: 60/54/54/48/48

### (6.3.3) Warranty

- A. The floor console indoor unit shall be covered by a manufacture parts warranty.

## 6.4 Installation

### (6.4.1) Condensate

- A. The floor console indoor shall be shipped with a insulated polyethylene condensate tubing (5/8" ID) attached from the factory.
- B. The floor console indoor unit shall ship with a 6.5 ft (2m) corrugated drain tube that connects to the insulated drain tube.
- C. The floor console indoor unit shall be a gravity drain.

### (6.4.2) Clearances

- A. The installer must follow the minimum clearances illustrated in the Installation Manual when installing the indoor unit.

### (6.4.3) Mounting

- A. The floor console indoor unit may be installed on the floor or low on the wall.
- B. The floor console indoor unit shall ship with a galvanized metal wall bracket.
- C. The wall bracket shall have multiple anchor points to provide the installer with many options to firmly attach the wall mounted indoor unit to the wall.
- D. The field-supplied mounting hardware must be adequate to support the indoor unit.

## 6.5 Electrical Requirements

### (6.5.1) Electrical Disconnect

- A. Connecting wire must be continuous (without break) unless local code requires a disconnect at the indoor unit.

Model	Fan Motor Power Output (W)
US09FB2BEA	30
US12FB2BEA	
US18FB2BEA	

- B. If a disconnect is required by local code, it must be a 3-pole, single-throw type.

### 6.6 Components

#### (6.6.1) Coil

- A. The indoor coil shall be made with a blue colored hydrophilic coating on the aluminum fins and packed with internally grooved copper tubing, to increase the effective heat exchange surface area by 25%.
- B. Copper tubing shall have inner micro-grooves to increase effective heat transfer capabilities.
- C. Coils shall be pressure tested at 600–650 PSI using helium leak detection.
- D. The coil shall be charged with dry nitrogen for shipping at 70–100 PSI.

#### (6.6.2) Fan Motor

- A. The fan motor shall be a sealed DC multiple-speed resin-packed motor
- B. The fan motor shall have permanently lubricated bearings.

#### (6.6.3) Fan Blade

- A. The fan blade shall be a non-corrodible axial fan blower.

#### (6.6.4) Copper Piping

- A. The coil shall be connected to a length of insulated annealed copper.
- B. The ends of the tubing shall have male flare connections.

#### (6.6.5) Air Louvers

- A. The supply air shall be distributed by horizontal and vertical motorized louvers.
- B. Air louvers shall provide wide angle of operation for both horizontal (120°) and vertical (90° from top to down) airflow movement to provide room comfort for each corner.

#### (6.6.6) Display

- A. The floor console indoor unit shall have a 1 x 5/8-inch backlit temperature display capable of showing set or room temperatures.
- B. The display shall also have colored icons representing set mode.
- C. The display can be turned off from the wireless remote control.

#### (6.6.7) WiFi

- A. Floor console indoor units shall come equipped with WiFi capabilities.

#### (6.6.8) Filter

- A. The floor console indoor unit shall have removable air filters.
- B. The air filters shall be washable and reusable.

#### (6.6.9) Control

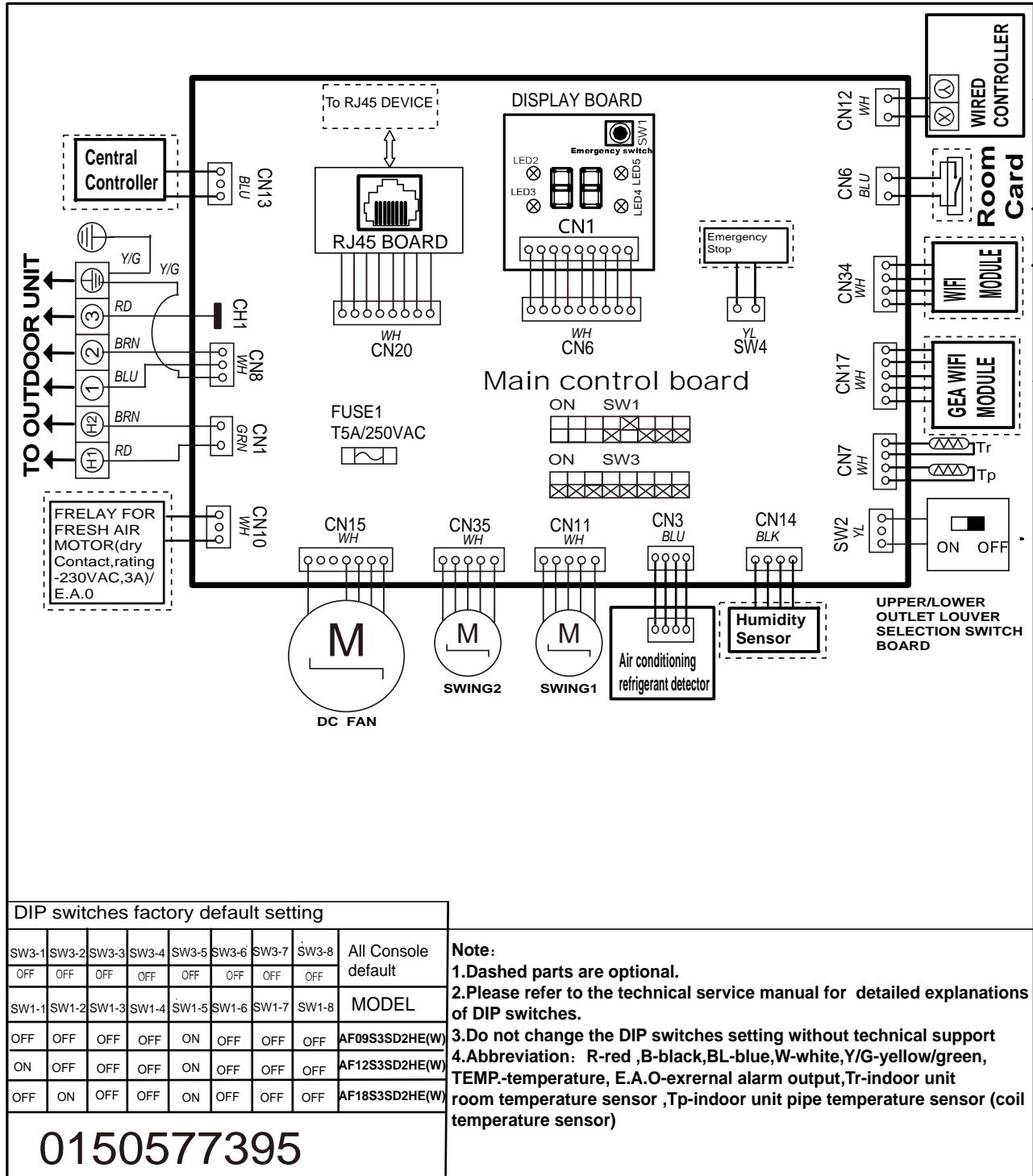
- A. The floor console indoor unit shall ship with a hand-held infrared remote control (standard remote control YR-HG)..
- B. The floor console indoor unit shall be compatible with the Simplified Wired Controller (GACT17B).

# 6. FLOOR CONSOLE INDOOR UNITS

## 6.7 Wiring Diagrams

US09FB2BEA  
US12FB2BEA  
US18FB2BEA

ENGLISH

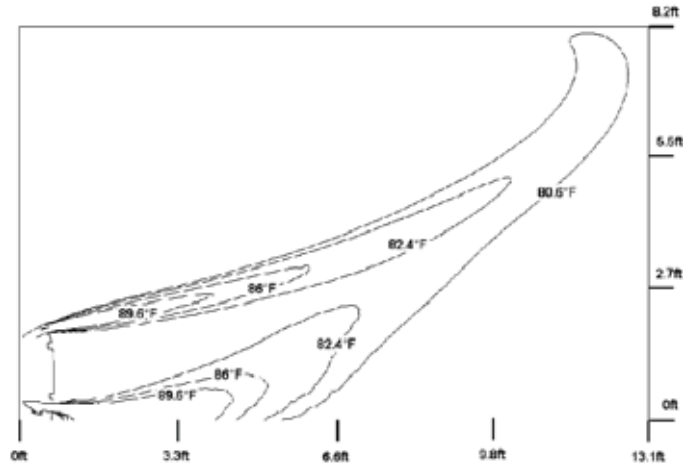
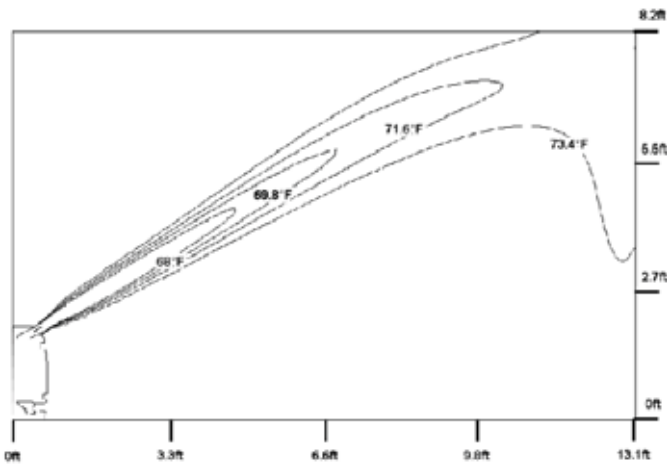
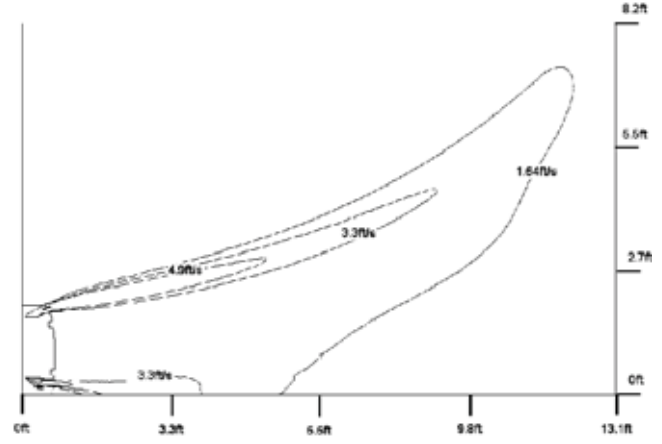
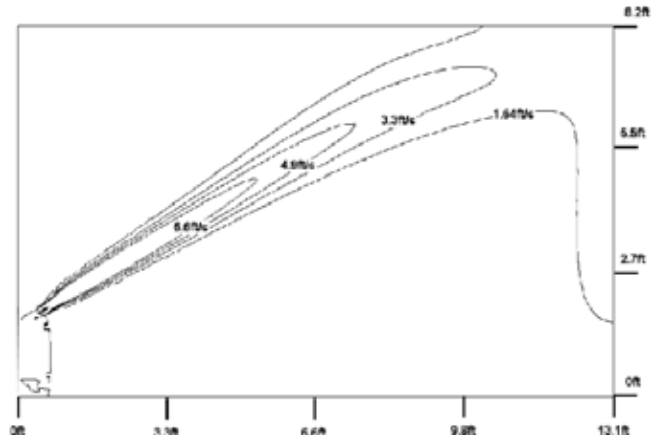


## 6.8 Air Velocity and Temperature Distribution

US09FB2BEA  
 US12FB2BEA  
 US18FB2BEA

*COOLING*

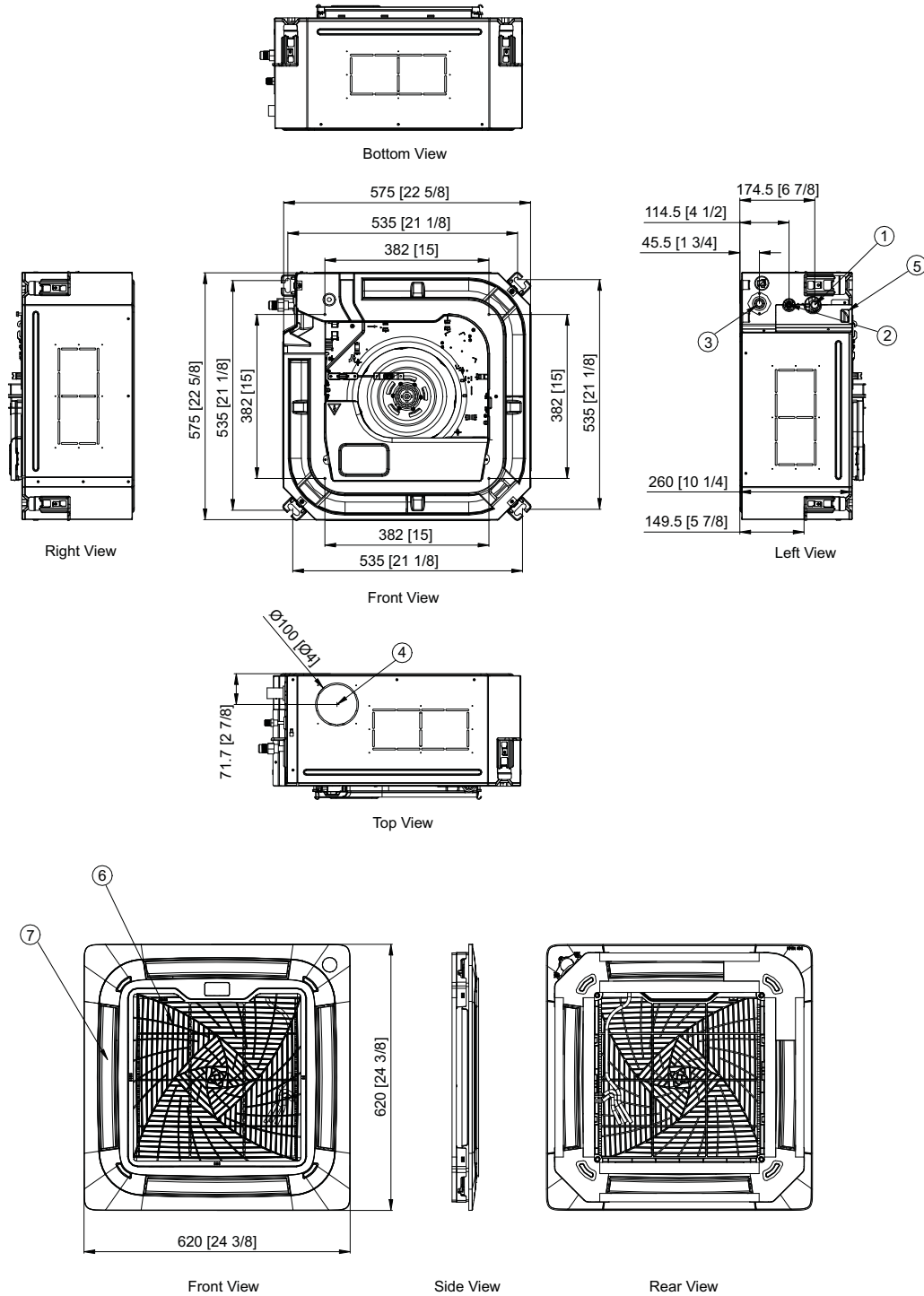
*HEATING*



# 7. CASSETTE INDOOR UNITS

## 7.1 Dimensions

US09CB2BEA  
US12CB2BEA  
US18CB2BEA

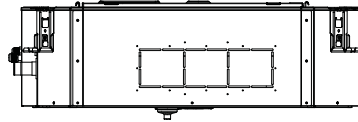


Unit: mm [ in. ]

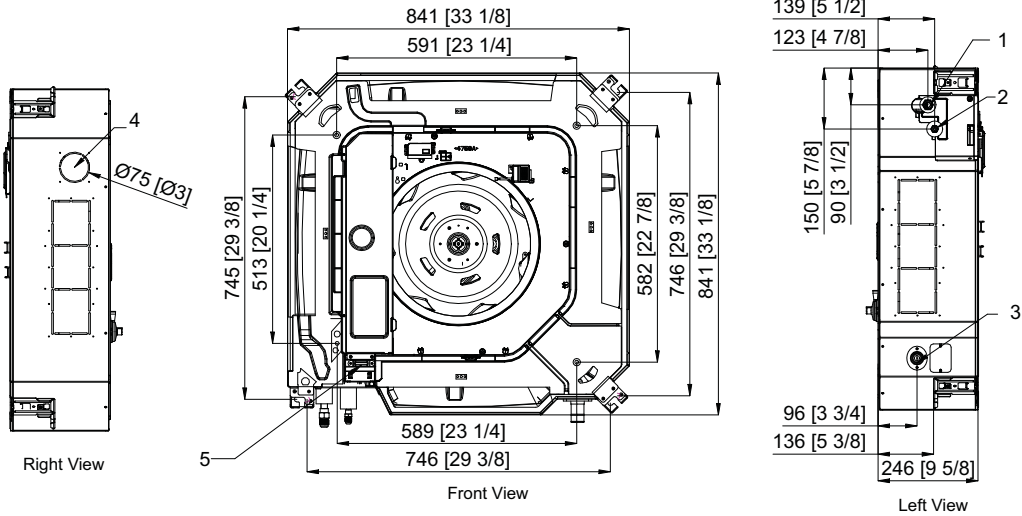
No	Part Name
1	Gas Pipe Connection
2	Liquid Pipe Connection
3	Drain Pipe Connection
4	Fresh Air Inlet
5	Power Cable And Communication Cable Routing Hole
6	Air Inlet
7	Air Outlet

# 7. CASSETTE INDOOR UNITS

US24LB2BEA



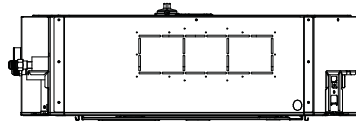
Bottom View



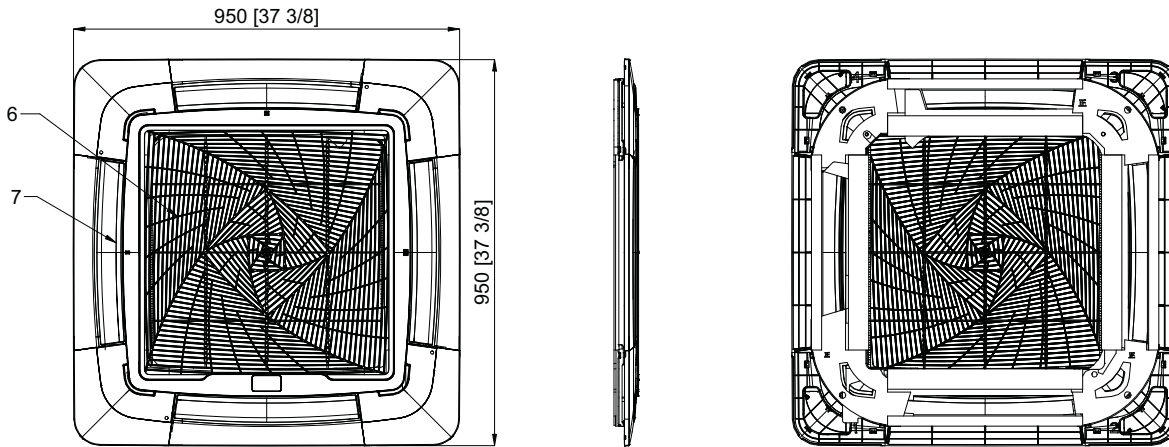
Right View

Front View

Left View



Top View



Front View

Side View

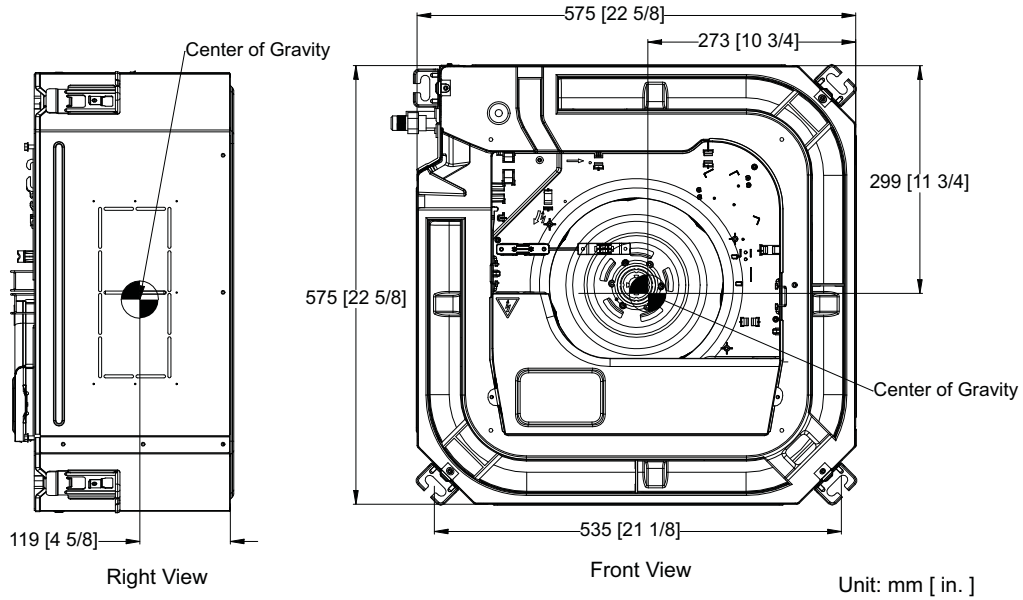
Rear View

Unit: mm [ in. ]

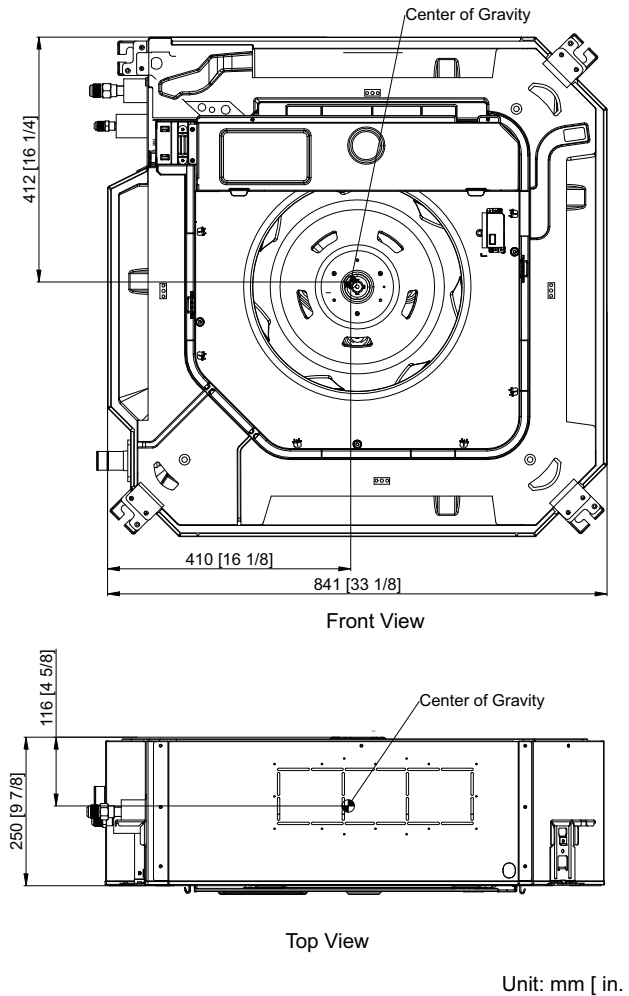
No	Part Name
1	Gas Pipe Connection
2	Liquid Pipe Connection
3	Drain Pipe Connection
4	Fresh Air Inlet
5	Power Cable And Communication Cable Routing Hole
6	Air Inlet
7	Air Outlet

## 7.2 Center of Gravity

US09CB2BEA  
 US12CB2BEA  
 US18CB2BEA



US24LB2BEA



## 7.3 General

### (7.3.1) Indoor Unit Description

- A. The cassette indoor section completes the system when connected to the matching outdoor unit and field-supplied piping and wiring.

### (7.3.2) Sound Ratings

Model	Cooling Sound Level dB(A) (Turbo/High/Med/Low/Quiet)	Heating Sound Level dB(A) (Turbo/High/Med/Low/Quiet)
US09CB2BEA	Sound Pressure Rating: 42/40/36/32/25 Sound Power Rating: 57/55/51/47/40	Sound Pressure Rating: 42/40/36/32/25 Sound Power Rating: 57/55/51/47/40
US12CB2BEA	Sound Pressure Rating: 45/42/40/36/32 Sound Power Rating: 60/57/55/51/47	Sound Pressure Rating: 45/42/40/36/32 Sound Power Rating: 60/57/55/51/47
US18CB2BEA	Sound Pressure Rating: 45/42/40/36/32 Sound Power Rating: 60/57/55/51/47	Sound Pressure Rating: 45/42/40/36/32 Sound Power Rating: 60/57/55/51/47
US24LB2BEA	Sound Pressure Rating: 46/44/41/38/35 Sound Power Rating: 61/59/56/53/50	Sound Pressure Rating: 46/44/42/39/36 Sound Power Rating: 61/59/57/54/51

### (7.3.3) Warranty

- A. The cassette indoor unit shall be covered by a manufacture parts warranty.

## 7.4 Installation

### (7.4.1) Condensate

- A. The cassette indoor unit shall ship with an insulated drain tube adapter that is sized for 3/4-inch PVC on one end.
- B. The cassette indoor unit shall be a gravity drain.

### (7.4.2) Clearances

- A. The installer must follow the minimum clearances illustrated in the Installation Manual when installing the indoor unit.

### (7.4.3) Mounting

- A. The cassette indoor unit shall have 4 hanging brackets that are sized for 3/8 threaded rod.
- B. The installer must use 3/8 threaded rod to suspend the cassette indoor unit from the building structure.
- C. The installer must install the unit upright and level in all directions.

## 7.5 Electrical Requirements

### (7.5.1) Electrical Disconnect

- A. Connecting wire must be continuous (without break) unless local code requires a disconnect at the indoor unit.

Model	Fan Motor Power Output (W)
US09CB2BEA	30
US12CB2BEA	
US18CB2BEA	
US24LB2BEA	100

- B. If a disconnect is required by local code, it must be a 3-pole, single-throw type.

## 7.6 Components

### (7.6.1) Coil

- A. Coil shall be painted with a hydrophilic coating to increase airflow efficiency.
- B. Copper tubing shall have inner micro grooves to increase effective heat transfer capabilities.
- C. Coils shall be pressure tested at 600-650 PSI using Helium leak detection.
- D. The coil shall be charged with dry nitrogen for shipping at 70-100 PSI pressure.

### (7.6.2) Fan Motor

- A. The fan motor shall be a sealed DC multiple-speed resin-packed motor
- B. The fan motor shall have permanently lubricated bearings.

### (7.6.3) Fan Blade

- A. The fan blade shall be a non-corrodible axial fan blower.

### (7.6.4) Copper Piping

- A. The coil shall be connected to a length of insulated annealed copper.
- B. The ends of the tubing shall have male flare connections.

### (7.6.5) Panel

- A. A panel must be ordered separately.
- B. The cassette must be installed with a 1 inch recess beyond the ceiling surface to allow the panel to properly fit flush against the ceiling and to allow the panel gasket to seal against the cassette.

### (7.6.6) Control

- A. The cassette indoor units shall ship with the Standard Remote (YR-HQ).
- B. The cassette indoor unit shall be compatible with the Simplified Wired Controller (GACT17B).

### (7.6.7) WiFi

- A. The cassette indoor unit shall include a WiFi adapter.

## 7.7 Panels

### GACCP01GA 2x2 Compact Cassette Panel

#### (7.7.1) General

- A. The GACCP01GA panel must be ordered separately when ordering the indoor cassette unit..

#### (7.7.2) Compatibility

- A. The GACCP01GA panel shall be compatible Compact Cassette indoor units, US09CB2BEA, US12CB2BEA and US18CB2BEA.

#### (7.7.3) Installation

- A. The cassette must be installed with a 1 inch recess beyond the ceiling surface to allow the panel to properly fit flush against the ceiling and to allow the panel gasket to seal against the cassette.

#### (7.7.4) Filter

- A. The cassette indoor unit shall have a removable air filter.
- B. The air filters shall be washable and reusable.

#### (7.7.5) Air Flow Control

- A. The GACCP01GA shall have vertical and horizontal louvers on all side to direct the air flow.

### GALCP01GA 3x3 Large Cassette Panel

#### (7.7.1) General

- A. The GALCP01GA panel must be ordered separately when ordering the indoor cassette unit..

#### (7.7.2) Compatibility

- A. The GALCP01GA panel shall be compatible Compact Cassette indoor unit US24LB2BEA.

#### (7.7.3) Installation

- A. The cassette must be installed with a 1 inch recess beyond the ceiling surface to allow the panel to properly fit flush against the ceiling and to allow the panel gasket to seal against the cassette.

#### (7.7.4) Filter

- A. The cassette indoor unit shall have a removable air filter.
- B. The air filters shall be washable and reusable.

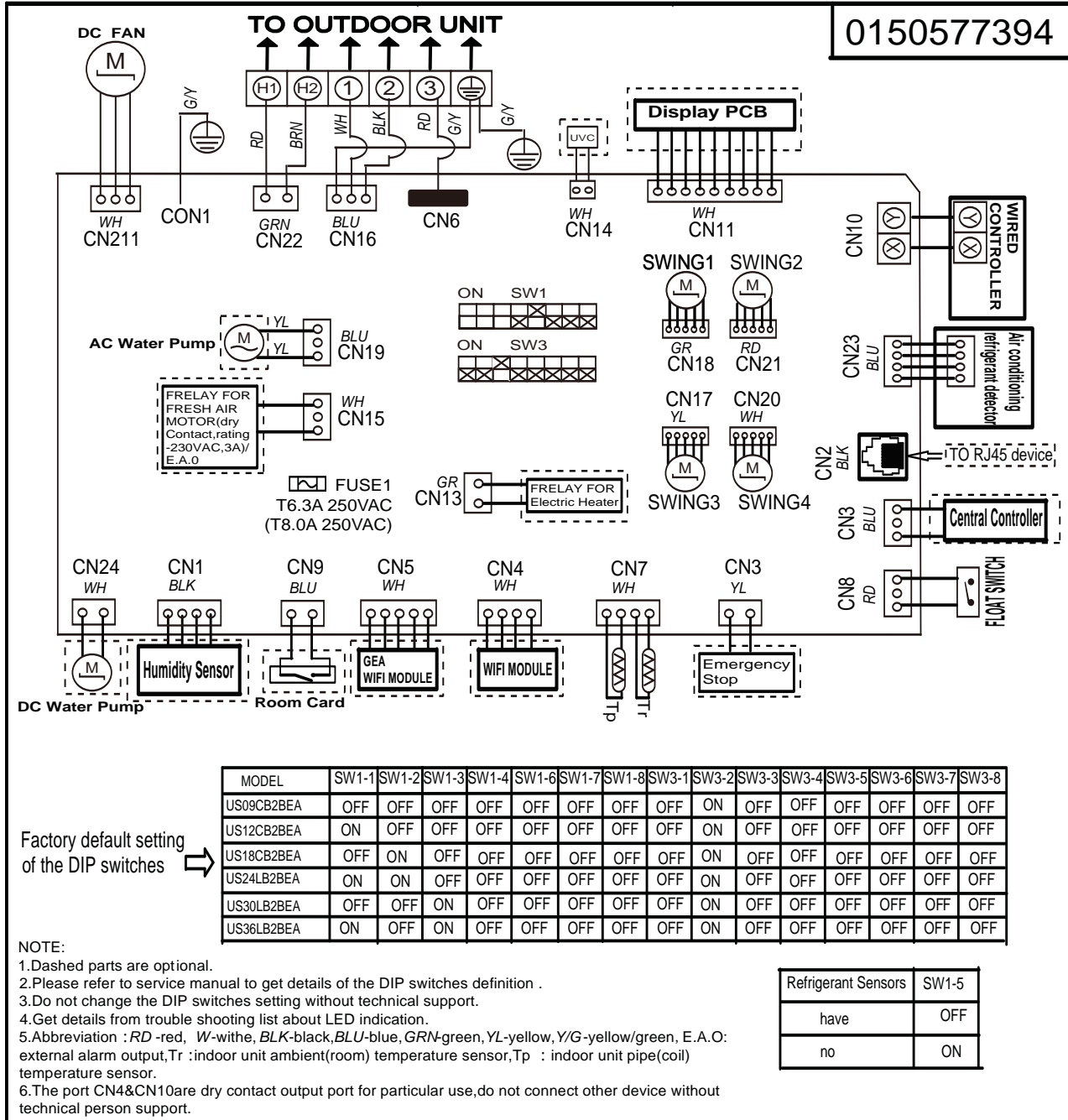
#### (7.7.5) Air Flow Control

- A. A. The GALCP01GA shall have horizontal louvers on all sides to direct the air flow.
- A. B. The GALCP01GA shall have individual louver control.

# 7. CASSETTE INDOOR UNITS

## 7.8 Wiring Diagrams

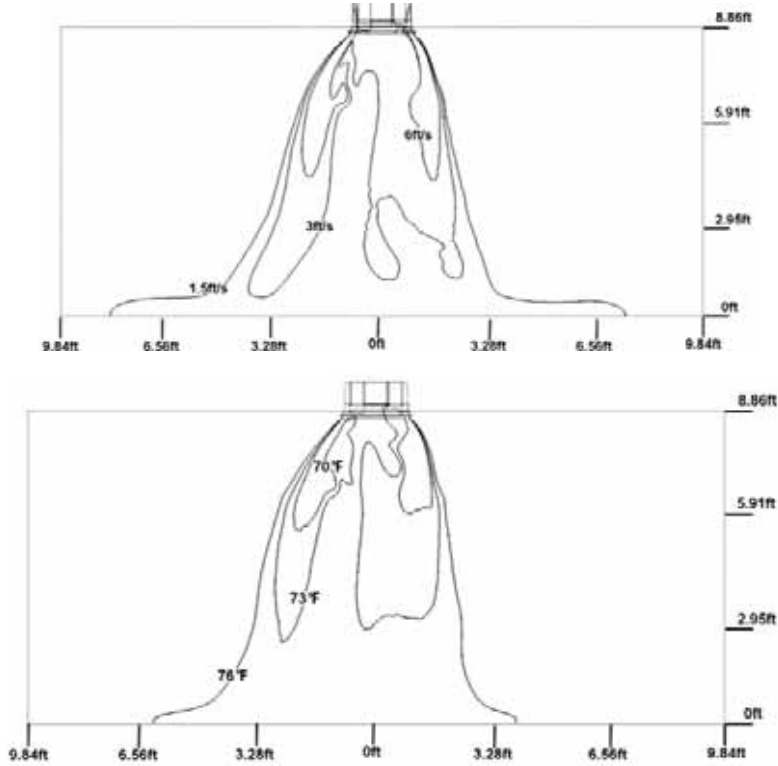
US09CB2BEA  
US12CB2BEA  
US18CB2BEA  
US24LB2BEA



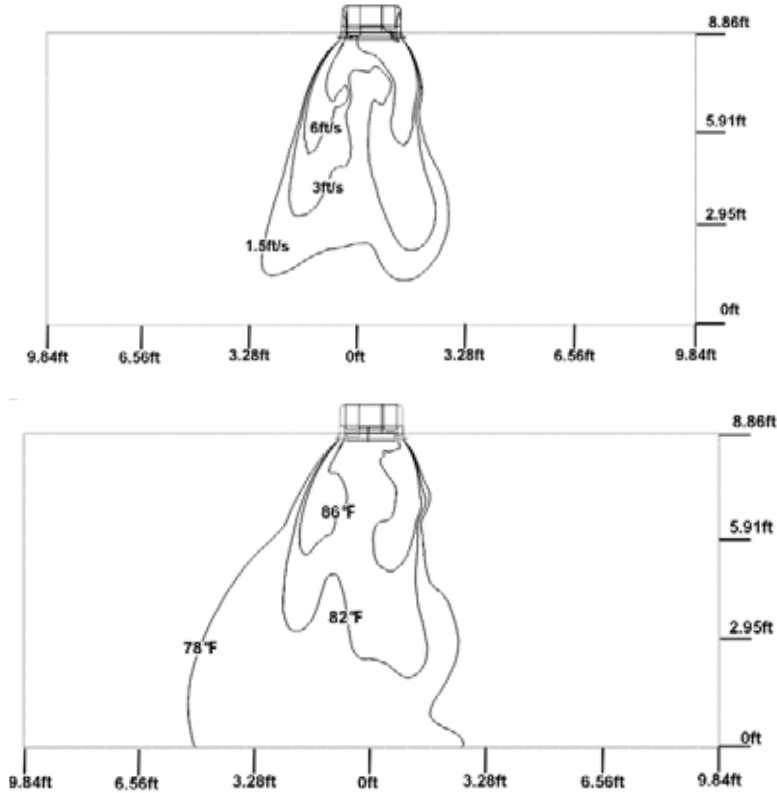
## 7.9 Air Velocity and Temperature Distribution

US09CB2BEA  
 US12CB2BEA  
 US18CB2BEA

### COOLING



### HEATING

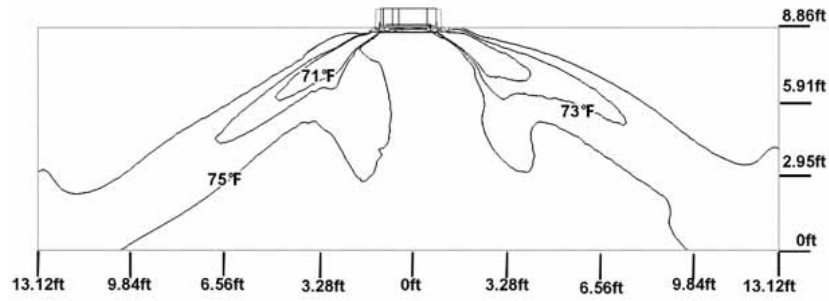
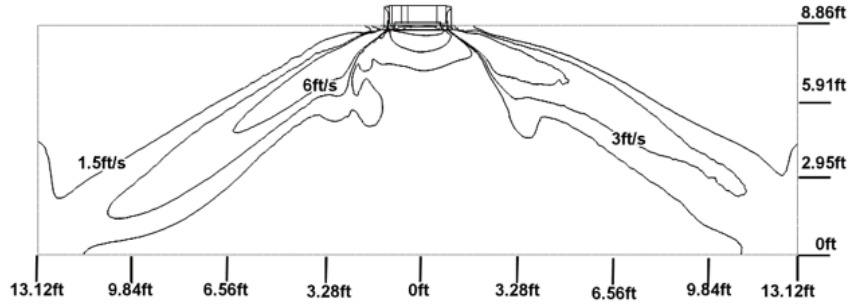


# 7. CASSETTE INDOOR UNITS

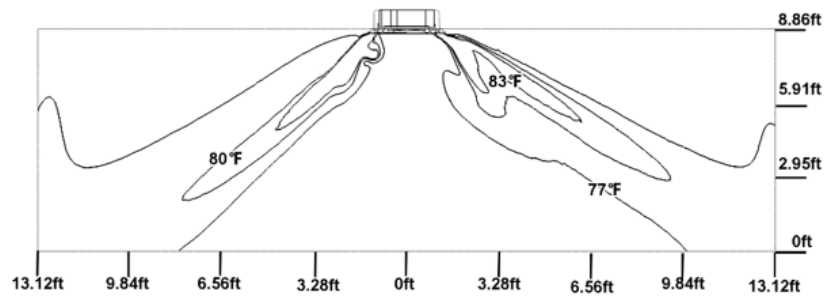
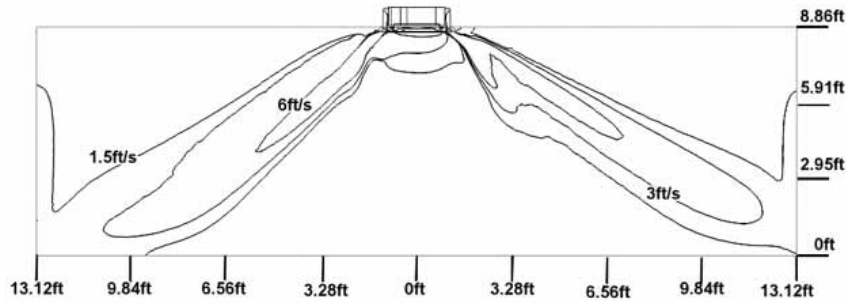
US24LB2BEA

ENGLISH

## COOLING



## HEATING



## 8.1 Outdoor Unit Accessories

### (8.1.1) Wind Baffles & Top Covers

Operating Conditions	Recommended Accessories			
	1	2	3	4
	Front Wind Baffle	Side Wind Baffle	Back Wind Baffle	Top Cover
Low Ambient Cooling below 23°F (5°C) (server/mechanical room)	Required	Required	Required	Required
Low Ambient Heating below 5°F (-15°C)	-	Strongly Recommended	Strongly Recommended	Strongly Recommended
Unit installed on a flat roof or facing prevailing wind	Required	-	-	-



Fabricated from durable 20 gauge G90 galvanized steel and engineered to provide optimal performance when operating the outdoor unit in cold, harsh climates.

A front wind baffle is required for all climates when mounted on a flat roof or facing prevailing winds.

Model	Front or Back Wind Baffles (If both a front and back wind baffle are needed, order two (2) of the required part)	Side Wind Baffles	Top Covers
2G18AD2BEA	UAWB30GA	UASWB30GA	UATC21GA
3G24AD2BEA	UAWB30GA	UASWB30GA	UATC21GA
4G36AD2BEA	UAWB31GA	UASWB31GA	UATC31GA
2G20ED2BEA	UAWB31GA	UASWB31GA	UATC31GA
3G24ED2BEA	UAWB31GA	UASWB31GA	UATC31GA
4G36ED2BEA	UAWB51GA	UASWB51GA	UATC51GA
5G42ED2BEA	UAWB51GA	UASWB51GA	UATC51GA

## 8.2 Indoor Unit Accessories

### (8.2.1) Cassette Panels

Required for cassette indoor units; sold separately. Remote controller (WJ26X35396) is included with cassette panel.



**GACCP01WA**  
Compact Cassette Panel

*Fits Models:*  
US09CB2BEA  
US12CB2BEA  
US18CB2BEA



**GALCP01WA**  
Large Cassette Panel

*Fits Models:*  
US24LB2BEA  
US30LB2BEA  
US36LB2BEA

### (8.2.2) UALS01A Refrigerant Detection Sensor (RDS)

Note: See room sizing requirements to determine if the Refrigerant Detection Sensor (RDS) is required and needs to be purchased separately for highwall and cassette indoor units. RDS is factory-installed on console and ducted units.



## 8. CONTROLS AND ACCESSORIES

### (8.2.3) Merv Return Air Filter Boxes

MERV return air filter boxes for ducted indoor models.



#### **UAMFB0912A**

*Fits Models:*  
US09MB2BEA  
US12MB2BEA

#### **UAMFB1824A**

*Fits Models:*  
US18MB2BEA  
US24MB2BEA

### (8.2.4) Supply Plenums

Supply plenums for ducted indoor models..



#### **UAPT0912A**

*Fits Models:*  
US09MB2BEA  
US12MB2BEA



#### **UAPT1824A**

*Fits Models:*  
US18MB2BEA  
US24MB2BEA

### (8.2.5) WiFi

#### **General**

- A. Units to come complete with WiFi Built in.

#### **Connection**

- B. The WiFi adapter shall have an app that is compatible with both iOS and Android.
- C. The WiFi adapter shall be paired with existing 2.4GHz network.
- D. The WiFi adapter shall comply with Part 15 of the FCC rules..

#### **Warranty**

- A. The warranty shall cover all defects in workmanship or material for a period of 1 year. Haier will provide a new or refurbished controller, at its sole discretion.

#### **Features**

- A. The WiFi adapter shall be Google Home compatible.
- B. The WiFi adapter shall be Amazon Alexa compatible.
- C. The homeowner shall have the ability to install and configure the WiFi adapter.

## 8.3 Controllers

Controllers from Haier allow you to take command of your environment. With convenient user-friendly button layouts and clear digital displays, the system can be easily set to meet and maintain comfort levels.

### (8.3.1) Remote Controllers

#### *General*

- A. Standard Remote Control shall be compatible with wall mounted indoor units.
- B. Standard Remote Control shall come packaged with wall mounted indoor units.

#### *Connection*

- A. Standard remote control shall be infrared.

#### *Compatibility*

- A. The wireless control shall be compatible with all wall mounted, floor console and cassette indoor models.

#### *Warranty*

- A. The warranty shall also cover all defects in workmanship or material for the unit accessory for a period of 1 year. Haier will provide a new or refurbished controller at its sole discretion.

#### *Features*

- A. The Standard Remote Control shall have a power button, individual mode buttons (heat, cool, dehumidify), temperature +/-, fan speed, vertical and horizontal louver adjust.
- B. The Standard Remote Control shall be capable of setting a precise temperature of  $\pm 1^{\circ}\text{F}$  ( $\pm 0.5^{\circ}\text{C}$ ).
- C. The Standard Remote Control shall have a backlight.
- D. The Standard Remote Control shall have vertical and horizontal louver control.
- E. The Standard Remote Control shall have a child lock function.
- F. The Standard Remote Control shall have the ability to turn on/off the indoor unit display.
- G. The Standard Remote Control shall have Fahrenheit and Celsius temperature functions.

### (8.3.2) Wired Controller

#### *General*

- A. The wired controller shall be a wall-mounted control that operates the indoor unit.

#### *Connection*

- A. The wired controller shall connect to an indoor unit using the supplied 3-pin cable.
- B. 2 wired controls shall be connectable to one indoor unit.
- C. A single wired controller shall be able to connect up to 16 of the same model type of indoor units. The connected units shall work in unison as a single zone.

#### *Compatibility*

- A. The wired controller shall be compatible with all Haier indoor units.

#### *Warranty*

- A. The warranty shall also cover all defects in workmanship or material for the unit accessory for a period of 1 year. Haier will provide a new or refurbished controller, at its sole discretion.

#### *Features*

- A. The wired controller shall have large physical buttons for easy operation.
- B. The wired controller shall have a power button, a mode button (heat, cool, dry), a fan speed button, a temperature up button and a temperature down button.
- C. The wired controller shall be capable of setting a precise temperature of  $\pm 1^{\circ}\text{F}$  ( $\pm 0.5^{\circ}\text{C}$ ).
- D. The wired controller shall have a backlight.
- E. The wired controller shall have vertical and horizontal louver control.
- F. The wired controller shall have a child lock function.
- G. The wired controller shall display either Fahrenheit or Celsius.
- H. The wired controller shall have the ability to display indoor ambient temperature.
- I. The wired controller shall have a Clean Filter reminder.
- J. The wired controller shall display error codes.
- K. The wired controller shall have an infrared receiver that can receive commands from a Haier hand-held remote control.

# 8. CONTROLS AND ACCESSORIES

## 8.4 Indoor Unit Accessory Compatibility Table

ENGLISH

	Model Number	Remote Controllers			Wired Controller	Refrigerant Detection Sensor (RDS)
		WJ26X35395	WJ26X35813	WJ26X35396	GACT17B	UALS01A
Standard Highwall	GS07WB2BEA	●			○	○
	GS09WB2BEA	●			○	○
	GS12WB2BEA	●			○	○
	GS15WB2BEA	●			○	○
	GS18WB2BEA	●			○	○
	GS24WB2BEA	●			○	○
Premium Highwall	GS09WP2BEA			●	○	○
	GS12WP2BEA			●	○	○
	GS18WP2BEA			●	○	○
	GS24WP2BEA			●	○	○
Compact Cassette	US09CB2BEA					○
	US12CB2BEA					○
	US18CB2BEA					○
	GACCP01WA*			●	○	
Large Cassette	US24LB2BEA					○
	GALCP01WA*			●	○	
Console	US09FB2BEA		●		○	●
	US12FB2BEA		●		○	●
	US18FB2BEA		●		○	●
Ducted	US09MB2BEA				⊙	●
	US12MB2BEA				⊙	●
	US18MB2BEA				⊙	●
	US24MB2BEA				⊙	●

\*Cassette Panel

● = Included   ⊙ = Required, sold separately   ○ = Optional; sold separately  
See Outdoor Unit Accessory Compatibility Table for 5" Central Controller compatibility

*[This page intentionally left blank.]*



**GE APPLIANCES**  
*a Haier company*

**AIR&WATER**  
SOLUTIONS

# Ductless Technical Support

**Phone: 866.814.3633**

**Email: [HVACSupport@GEAppliances.com](mailto:HVACSupport@GEAppliances.com)**

**Online: [GEAppliancesAirAndWater.com](http://GEAppliancesAirAndWater.com)**



Pub No. TBD

Rev. 11-21-25

© Copyright 2025 GE Appliances, a Haier Company.  
Our continued commitment to quality products may mean a change in specifications without notice.