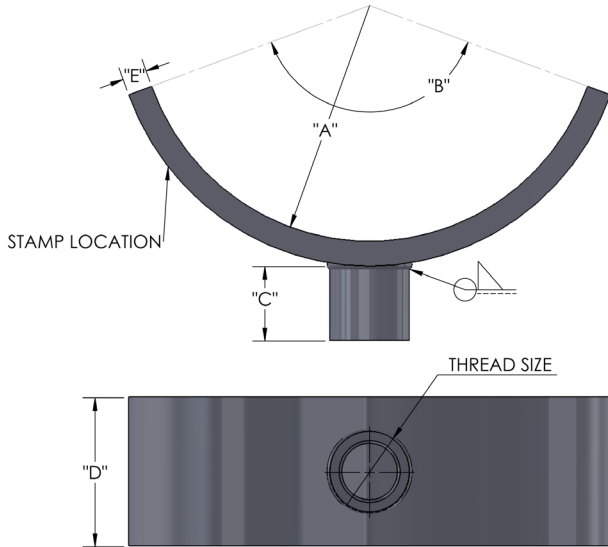


# Adjustable Flange Support Kit



Materials/Finishes:	Hot-Dip Galvanized
Variants:	N/A
Service:	Designed to support pipe flange horizontally. Straight cut pipe thread on nipple provides up to 4-1/2 inches of vertical adjustability.
Approvals:	Complies with Manufacturers' Standardization Society MSS SP-58 (Type# 38)
Ordering:	Specify figure number, finish and pipe size.
Notes:	Support requires 2" schedule 40 extension pipe (not supplied) to be cut in the field.

SADDLE SPECIFICATIONS						
SIZE	A	B	C	D	E	THREAD SIZE
4	4.500	140°	1.500	2.500	0.500	1-1/4 - 7
6	5.500	140°	1.500	2.500	0.500	1-1/4 - 7
8	6.750	140°	1.500	3.000	0.500	1-1/4 - 7

