

INSTRUCTIONS FOR CONVERTING

B-3974, B-39747, B-3979, B-2974, B-29744 AND B-72974 FROM BATTERIES TO AC POWER

WITH 3974-57, AC ADAPTER KIT (DOES NOT INCLUDE INTERCHANGEABLE PLUGS FOR U.K., EUROPE, AND AUSTRALIA. IF NEEDED, ORDER AC ADAPTER KIT, PART. NO. 3974-55 TO FIT CORRESPONDING PLUG)

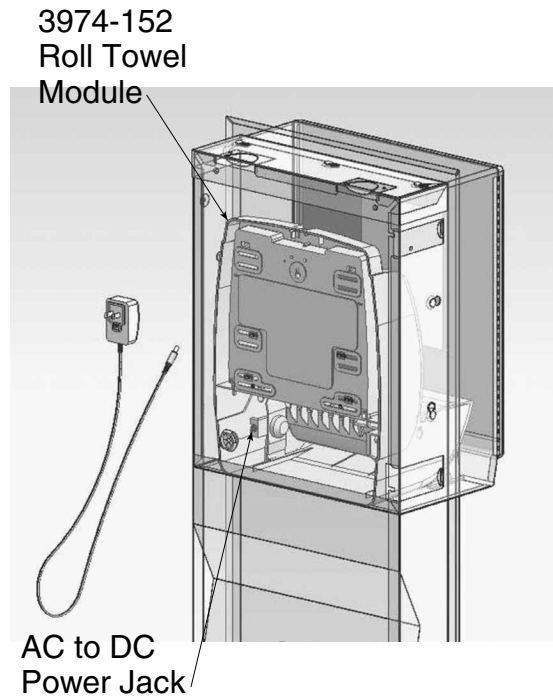
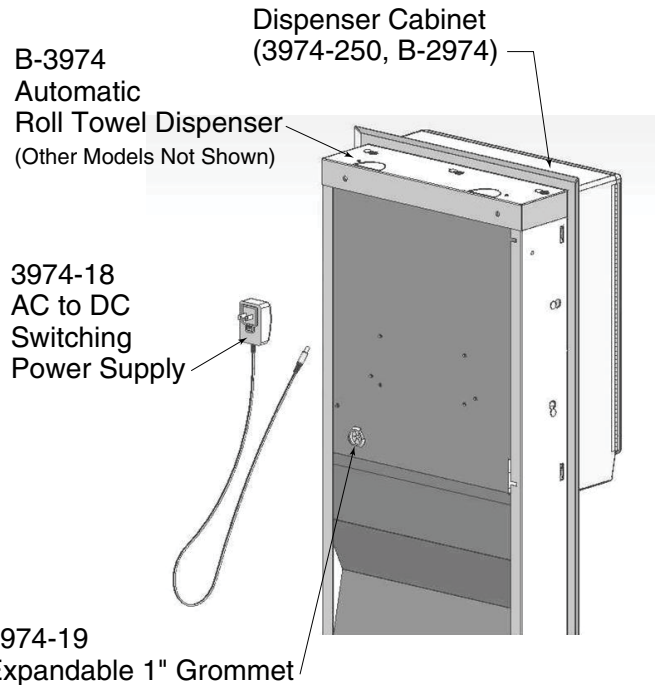
Bobrick Part Number 3974-57, AC Adapter Kit includes:

- 3974-18 AC to DC Switching Power Supply
- 3974-19 Expandable 1" Grommet
- 3974-20 U.S. AC Adapter Plug

(Note: Other materials may be required for proper installations such as rubber hole grommets, cable ties, conduit, etc.)

This kit is supplied with a cULus, CE, GS listed, double insulated AC to DC switching power supply. The power supply is equipped with a 117" (2971.8 mm) low voltage outlet cord terminated with a barrel connector for attachment with a mating jack located in the dispenser. The power supply is equipped with an interchangeable standard 2 pole NEMA plug intended for direct mounting into a standard 120V NEMA duplex outlet. For warranty purposes, it is required that the power converter must plug into an AC outlet that is not accessible to the dispenser user. If not available, consult a licensed electrical contractor. The power supply output is to be routed through the mounting wall as a low voltage, energy limited circuit, similar to a thermostat wire, with no requirement for electrical box or attachment strain relief. Use only the power supply supplied with this unit. Any substitution could damage the unit and will void any warranty.

1. Unlock and open the door of the Dispenser Cabinet Assembly. Remove any batteries that are in the unit.
2. Locate the 1" access hole in the back of the cabinet behind the AC to DC power jack and install the 3974-19 Expandable 1" Grommet.
3. Locate or provide an AC outlet that is not accessible to the dispenser user.
4. See a qualified, licensed electrician for the proper installation of a standard 120V NEMA duplex outlet, if one is required, and for the proper routing of the 3974-18 AC to DC Switching Power Supply. The installation must comply with local building code. **DO NOT BRING HIGH VOLTAGE POWER INTO THE CABINET FOR ANY REASON.**
5. Route the power converter cord through the hole in the 3974-19 Expandable 1" Grommet and plug the barrel plug end of the 3974-18 AC to DC Switching Power Supply into the AC to DC power jack in the 3974-56 Roll Towel Module. If necessary, the cord can be brought into the Dispenser Cabinet from the top or the side of the cabinet by drilling a 1/2" to 1" hole.
6. Take care to protect the cord from any edges of the stainless steel cabinet.
7. No extra cord length should be accessible inside the cabinet. Extra cord should be stored in a location inaccessible to the dispenser user.
8. Mount or remount the unit onto or into the wall making sure the cord is not pinched or damaged.
9. Plug 3974-18 AC to DC Switching Power Supply into an outlet and allow 30 seconds for the unit to calibrate. The indicator light will flash to show that the unit is receiving the power.



In the U.S.A.: BOBRICK WASHROOM EQUIPMENT, INC.

Los Angeles: 6901 Tujunga Ave., North Hollywood, CA 91605-6213; Tel: (818) 982-9600, Fax: (818) 503-1102
New York: 200 Commerce Drive, Clifton Park, NY 12065-1350; Tel: (518) 877-7444, Fax: (518) 877-5029
or e-mail: customerservice@bobrick.com

In Canada: BOBRICK WASHROOM EQUIPMENT COMPANY

45 Rolark Drive, Scarborough, Ontario M1R 3B1 • Ontario East: Tel: (877) 423-6555, Fax: (877) 423-8555
• Manitoba West: Tel: (877) 423-6444, Fax: (877) 423-8444 or e-mail: customerservice@bobrick.com

