

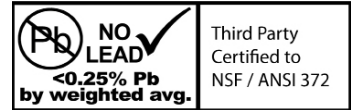
# 0875H(F)NL SERIES NO LEAD BRASS HEAVY DUTY HOSE BIBB NO-KINK

## SPECIFICATION:

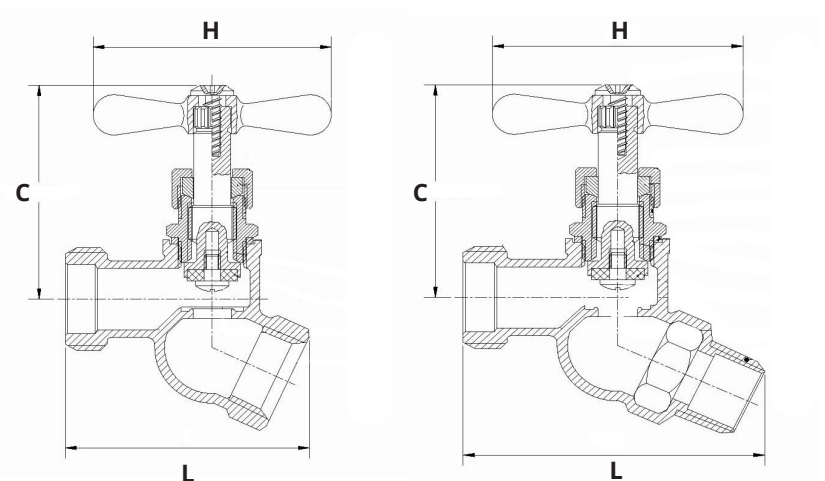
- Inlet Thread conforms to ANSI/ASME B1.20.1
- Outlet Thread is 3/4" GHT
- Max Pressure Rating: 125 PSI
- Max Temperature Rating: 160°F (71°C)
- Green Epoxy Coated Tee Handle

## CERTIFICATION:

- NSF/ANSI Standard 61 & 372 Certified
- CSA Standard B125.1 Certified



MATERIAL LIST	
Part Name	Material
Handle Bolt	Steel
T-Handle	Zinc
Packing Nut	No Lead Brass
Gland Packing	Graphite
Bonnet	No Lead Brass
Packing	Celcon
Stem	No Lead Brass
Seat Packing	Rubber NBR
Seat Screw	No Lead Brass
Body	No Lead Brass



Part No.	Description	DIMENSIONS						Weight grams
		H		C		H		
		inches	mm	inches	mm	inches	mm	
0875H-05NL	1/2" MPT	2.36	60.00	2.25	57.00	2.88	73.00	219
0875H-07NL	3/4" MPT	2.36	60.00	2.25	57.00	2.97	75.50	233
0875HF-05NL	1/2" FPT	2.36	60.00	2.25	57.00	2.44	62.00	212
0875HF-07NL	3/4" FPT	2.36	60.00	2.25	57.00	2.50	63.50	233



25 Whaley Avenue, PO Box 310, Milverton, ON CANADA N0K 1M0  
Tel: 800-561-3164

[boshart.com](http://boshart.com) ♦ [blog.boshart.com](http://blog.boshart.com)