

For Residential and Commercial Applications

Job Name		Engineer / Architect	
Job Location		Wholesaler	
Submittal Date		Contractor	

126 Series Hose Barb x Female Iron Pipe Adaptor

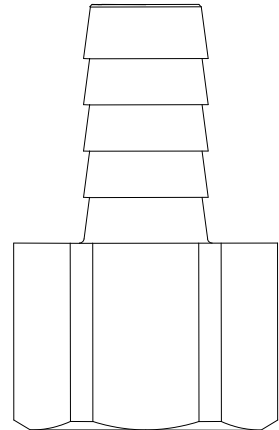
Use: For use plastic or rubber tubing. Installation requires a hose clamp

Design Features:

- Manufactured with dryseal pipe threads
- Available in a broad range of sizes

Operating Specifications:

Temperature: -40° - 160° F
Working Pressure: 150 PSI



MATERIAL SPECIFICATIONS	
Fittings body	C36000 brass

Part Listing:

- | | | |
|--------------------------|-----------|-------------------------------------|
| <input type="checkbox"/> | 126-2-2 | 1/8" Hose Barb x 1/8" F.I.P. |
| <input type="checkbox"/> | 126-3-2 | 3/16" Hose Barb x 1/8" F.I.P. |
| <input type="checkbox"/> | 126-3-2 B | 3/16" Hose Barb x 1/8" F.I.P., bulk |
| <input type="checkbox"/> | 126-4-2 | 1/4" Hose Barb x 1/8" F.I.P. |
| <input type="checkbox"/> | 126-4-2 B | 1/4" Hose Barb x 1/8" F.I.P., bulk |
| <input type="checkbox"/> | 126-4-4 | 1/4" Hose Barb x 1/4" F.I.P. |
| <input type="checkbox"/> | 126-4-4 B | 1/4" Hose Barb x 1/4" F.I.P., bulk |
| <input type="checkbox"/> | 126-5-2 | 5/16" Hose Barb x 1/8" F.I.P. |
| <input type="checkbox"/> | 126-5-2 B | 5/16" Hose Barb x 1/8" F.I.P., bulk |
| <input type="checkbox"/> | 126-5-4 | 5/16" Hose Barb x 1/4" F.I.P. |
| <input type="checkbox"/> | 126-6-2 | 3/8" Hose Barb x 1/8" F.I.P. |
| <input type="checkbox"/> | 126-6-2 B | 3/8" Hose Barb x 1/8" F.I.P., bulk |
| <input type="checkbox"/> | 126-6-4 | 3/8" Hose Barb x 1/4" F.I.P. |
| <input type="checkbox"/> | 126-6-4 B | 3/8" Hose Barb x 1/4" F.I.P., bulk |
| <input type="checkbox"/> | 126-6-6 | 3/8" Hose Barb x 3/8" F.I.P. |
| <input type="checkbox"/> | 126-6-6 B | 3/8" Hose Barb x 3/8" F.I.P., bulk |
| <input type="checkbox"/> | 126-6-8 | 3/8" Hose Barb x 1/2" F.I.P. |
| <input type="checkbox"/> | 126-6-8 B | 3/8" Hose Barb x 1/2" F.I.P., bulk |
| <input type="checkbox"/> | 126-8-4 | 1/2" Hose Barb x 1/4" F.I.P. |
| <input type="checkbox"/> | 126-8-4 B | 1/2" Hose Barb x 1/4" F.I.P., bulk |
| <input type="checkbox"/> | 126-8-6 | 1/2" Hose Barb x 3/8" F.I.P. |



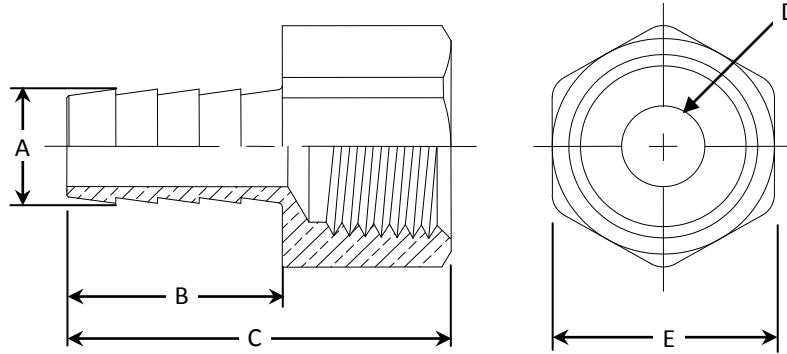
This specification and all information contained herein is the confidential and exclusive property of BrassCraft Manufacturing, and shall not be disclosed to others without the written consent of BrassCraft. This specification must be returned to BrassCraft if requested.

BrassCraft®

126 Series Hose Barb x Female Iron Pipe Adaptor

Part Listing (con't):

- 126-8-6 B 1/2" Hose Barb x 3/8" F.I.P., bulk
- 126-8-8 1/2" Hose Barb x 1/2" F.I.P.
- 126-8-8 B 1/2" Hose Barb x 1/2" F.I.P., bulk
- 126-12-12 3/4" Hose Barb x 3/4" F.I.P.



PART DIMENSIONS (Inches)					
Model	DIA. A	DIM. B	DIM. C	DIA. D	HEX. E
126-2-2	.187	.46	.96	.090	1/2
126-3-2	.227	.69	1.19	.125	1/2
126-4-2	.290	.97	1.47	.187	1/2
126-4-4	.290	.97	1.58	.187	11/16
126-5-2	.375	.90	1.42	.215	1/2
126-5-4	.353	.97	1.58	.250	11/16
126-6-2	.415	.97	1.47	.281	1/2
126-6-4	.415	.97	1.58	.281	11/16
126-6-6	.415	.97	1.63	.281	13/16
126-6-8	.415	.97	1.73	.281	1
126-8-4	.530	.97	1.66	.375	5/8
126-8-6	.530	.97	1.63	.375	13/16
126-8-8	.530	.97	1.73	.375	1
126-12-12	.790	1.17	2.19	.625	1-3/16

This specification and all information contained herein is the confidential and exclusive property of BrassCraft Manufacturing, and shall not be disclosed to others without the written consent of BrassCraft. This specification must be returned to BrassCraft if requested.

