

## For Residential and Commercial Applications

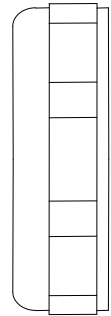
Job Name		Engineer / Architect	
Job Location		Wholesaler	
Submittal Date		Contractor	

### 90/ 96/ 97 Series      Compression Slip Nuts

**Use:** Tubular drainage connector nut for use with waste drainage systems

**Design Features:**

- **Extruded one-piece nut.** Eliminates potential for pin holes and porosity
- **Clean, uniform threads** insure positive threaded connections and reduces potential for cross-threading
- **Smooth finish** simplifies assembly without burrs or rough surfaces to catch or hang up during installation

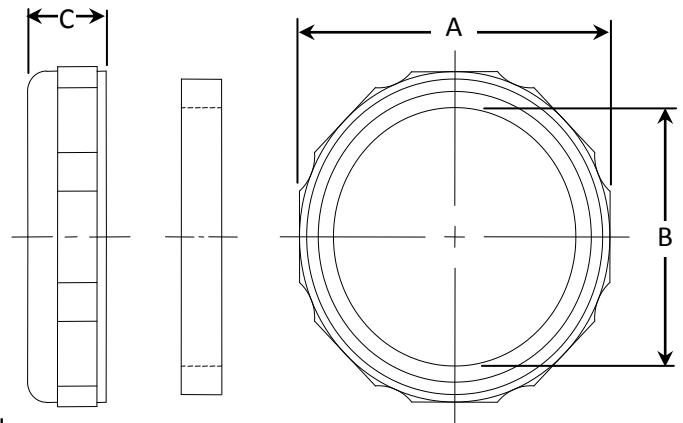


**Operating Specifications:**

**Temperature:** 40° to 140°F

MATERIAL SPECIFICATIONS	
<b>Nut</b>	Zinc die cast
<b>Rubber Washer</b>	Nitrile rubber

PART DIMENSIONS (Inches)			
Model	OCT. A	DIA. B	DIM. C
90A	1.75	1.29	.50
90B / 90BR	1.75	1.29	.50
96A	2.00	1.54	.50
96B / 96BR	2.00	1.54	.50
97B	2.00	1.29	.50



**Part Listing:**

- 90A      1-1/4" O.D. x 1-1/4" F.I.P., rough finish
- 90B      1-1/4" O.D. x 1-1/4" F.I.P., chrome plated
- 90BR     1-1/4" O.D. x 1-1/4" F.I.P., w/ rubber washer, chrome plated
- 96A      1-1/2" O.D. x 1-1/2" F.I.P., rough finish
- 96A B    1-1/2" O.D. x 1-1/2" F.I.P., rough finish, bulk
- 96B      1-1/2" O.D. x 1-1/2" F.I.P., chrome plated
- 96BR     1-1/2" O.D. x 1-1/2" F.I.P., w/ rubber washer, chrome plated
- 97B      1-1/4" O.D. x 1-1/2" F.I.P., chrome plated

*This specification and all information contained herein is the confidential and exclusive property of BrassCraft Manufacturing, and shall not be disclosed to others without the written consent of BrassCraft. This specification must be returned to BrassCraft if requested.*

