

### Features

- Eight Proflex® hydromassage jets can be individually adjusted for water flow and direction
- Single-speed whirlpool offers performance and value with 8 fully adjustable jets
- Built-in heater
- Slotted overflow allows for deep soaking
- Spacious design accommodates up to two bathers
- Integral lumbar support
- Textured bottom surface

### Material

- Acrylic

### Installation

- Drop-in or undermount
- Center drain

### Required Products/Accessories

K-7271 Brass Slotted Overflow Bath Drain

or

K-7272 PVC Slotted Overflow Bath Drain

### Recommended Products/Accessories

K-1491 Bath/Whirlpool Pillow

K-1601 Bath/whirlpool footstop, removable



### Codes/Standards

ASME A112.19.7/CSA B45.10

CSA B45.5/IAPMO Z124

ASTM E162

ASTM E662

UL 1795

CSA C22.2 No. 218.2

cUL Listed





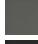

UL Listed

### KOHLER® Plastic Baths and Shower Bases Lifetime Limited Warranty KOHLER® Hydrotherapy Components Five-Year Limited Warranty

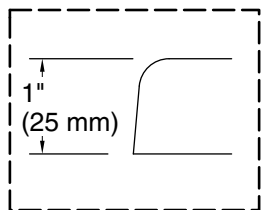
See website for detailed warranty information.

### Available Colors/Finishes

*Color tiles intended for reference only.*

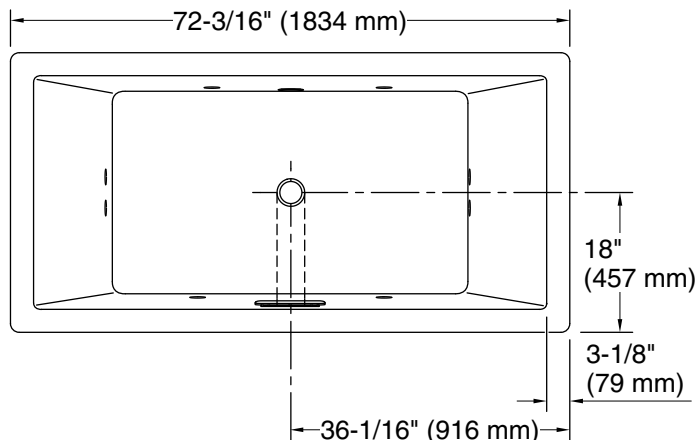
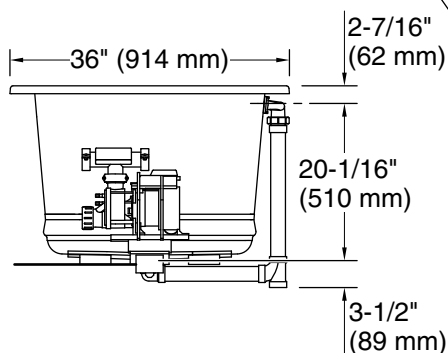
Color	Code	Description
	0	White
	96	Biscuit
	NY	Dune
	95	Ice™ Grey
	58	Thunder™ Grey
	7	Black Black™

No change in measurements if connected with drain illustrated. (K-7272)

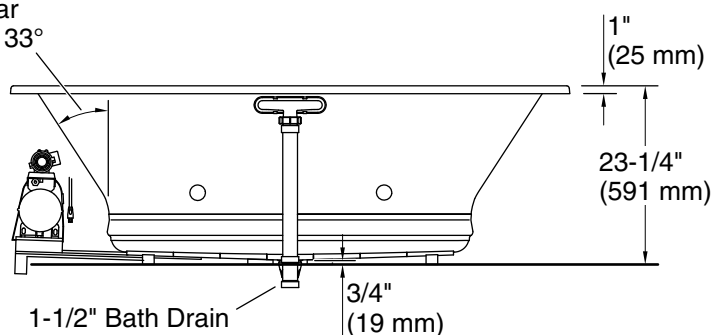


**Drop-in Rim Detail**

Blower Motor Access  
30" (762 mm) W x 15" (381 mm) H Min



Lumbar Angle 33°



### Required Electrical Service

Two dedicated circuits required, protected with Class A Ground-Fault Circuit-Interrupter (GFCI). Outside North America, this device may be known as a Residual Current Device (RCD).

Pump: 120 V, 15 A, 60 Hz  
Heater: 120 V, 15 A, 60 Hz

### Technical Information

All product dimensions are nominal.

Drain location: Center  
Basin area, bottom: 45-3/4" x 25-15/16" (1162 mm x 659 mm)  
Basin area, top: 66" x 30" (1676 mm x 763 mm)  
Weight: 165 lbs (74.8 kg)  
Minimum floor load: 61 lbs/ft<sup>2</sup> (297.8 kg/m<sup>2</sup>)  
Water depth: 19-7/16" (494 mm)  
Water capacity: 112.9 gal (427.4 L)  
Cutout: Drop-in, 71-1/2" x 35-1/2" (1816 mm x 902 mm)  
Electrical component rating: Pump: 120 V, 7 A, 60 Hz  
Heater: 120 V, 12 A, 60 Hz

### Notes

Measure your actual product for rough-in details.

Install this product according to the installation instructions.

The hot water supply should be 70% of the capacity of the bath or greater. Installations will vary.