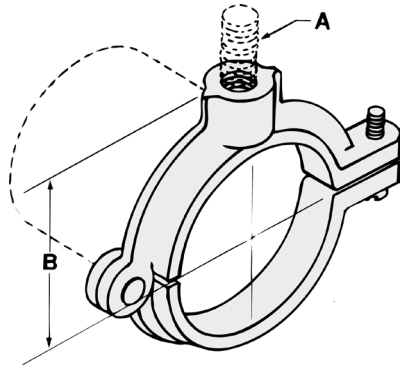


SPLIT RING HANGERS

HINGED EXTENSION SPLIT CLAMP

- BOLT THREAD



FUNCTION: Designed for non-insulated stationary pipe lines in either a horizontal or vertical position. The hinged design allows for a quick installation.

APPROVALS: Complies with Federal Specifications A-A-1192A (Type 12) and Manufacturers' Standardization Society ANSI/SP-69 and SP-58 (Type 12).

MATERIAL: Malleable iron

FINISH: Plain or Electro-galvanized

ORDERING: Specify pipe size, finish and figure number.

Pipe Size	Bolt Thread A	B	Max. Rec. Load/lbs.	Wt. Each (in lbs.)
$\frac{3}{8}$	$\frac{3}{8}$	$\frac{13}{16}$	180	.13
$\frac{1}{2}$	$\frac{3}{8}$	$\frac{7}{8}$	180	.14
$\frac{3}{4}$	$\frac{3}{8}$	1	180	.16
1	$\frac{3}{8}$	$1\frac{1}{8}$	180	.18
$1\frac{1}{4}$	$\frac{3}{8}$	$1\frac{5}{16}$	180	.22
$1\frac{1}{2}$	$\frac{3}{8}$	$1\frac{7}{16}$	180	.38
2	$\frac{3}{8}$	$1\frac{11}{16}$	180	.44
$2\frac{1}{2}$	$\frac{1}{2}$	$2\frac{1}{8}$	300	.45
3	$\frac{1}{2}$	$2\frac{7}{16}$	300	.55
4	$\frac{1}{2}$	3	300	.95