

# Seismic Bracing

## TOLCO™ Fig. 800 - Adjustable Sway Brace Attachment to Steel

**Size Range:** 4" (101.6mm) thru 18" (457.2mm) beam width

**Material:** Steel

**Function:** Seismic brace attachment to steel.

**Features:** This product's design incorporates a concentric attachment point which is critical to the performance of structural seismic connections. NFPA 13 indicates the importance of concentric loading of connections and fasteners. Permits secure connection to steel where drilling and/or welding of brace connection could present structural issues.

**Installation Instructions:** Fig. 800 is the structural attachment component of a longitudinal or lateral sway brace assembly. It is intended to be combined with a Cooper B-Line/TOLCO transitional attachment, "bracing pipe" and a B-Line/TOLCO "braced pipe" attachment to form a complete bracing assembly. NFPA 13 and/or OSHPD guidelines should be followed.

**To Install:** Place the Fig. 800 on the steel beam, tighten the cone point set screws on flange until the heads break off. Tighten hex head bolts into clamp body until lock washers are fully flat. Attach other TOLCO transitional attachment fitting, Fig. 909, 910, 980 or 986. Transitional fitting attachment can pivot for adjustment to proper brace angle.

**Approvals:** Underwriters Laboratories Listed in the USA (UL) and Canada (cUL). Approved by Factory Mutual Engineering (FM). Included in our Seismic Restraints Catalog approved by the State of California Office of Statewide Health Planning and Development (OSHPD). For additional load, spacing and placement information relating to OSHPD projects, please refer to the TOLCO Seismic Restraint Systems Guidelines.

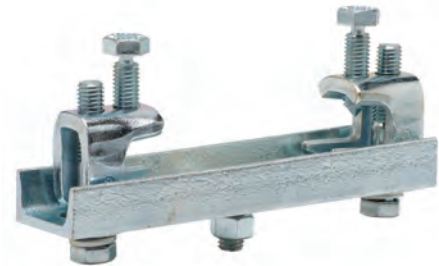
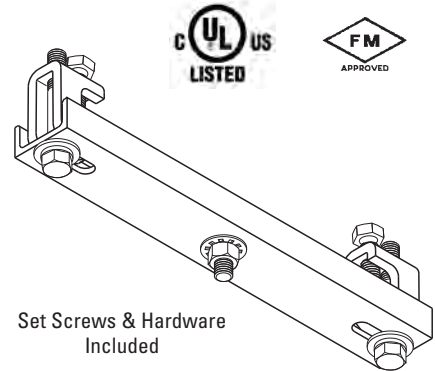
**Finish:** Plain. Contact customer service for alternative finishes and materials.

**Order By:** Figure number, type number and size number.

**Part Number Example: FIG. 800 TYPE1X8-10**

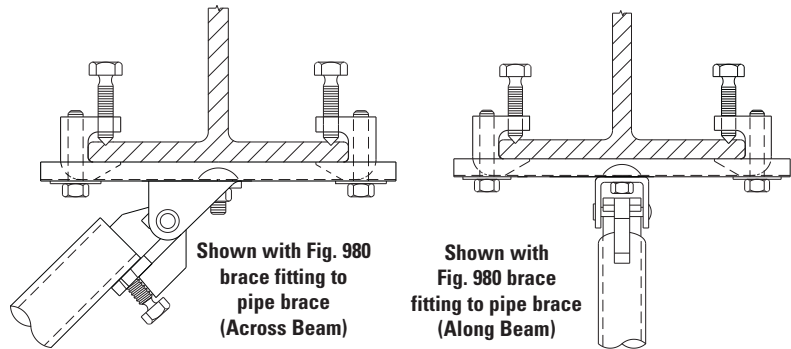
Type 1 (beam flange thickness)  
8-10 (flange width range)

Component of State of California OSHPD Approved Seismic Restraints System



Type	Fits Beam Flange Thickness in. (mm)		Max. Horizontal Design Loads (cULus) Along Beam Across Beam lbs./(kN) lbs./(kN)		Max. Horizontal Design Loads (FM)							
					Lateral - Parallel to Structural Member				Longitudinal - Perpendicular to Structural Member			
					30°-44° lbs./(kN)	45°-59° lbs./(kN)	60°-74° lbs./(kN)	75°-90° lbs./(kN)	30°-44° lbs./(kN)	45°-59° lbs./(kN)	60°-74° lbs./(kN)	75°-90° lbs./(kN)
1	Up to 3/4"	(Up to 19.0)	1265 (5.62)	2015 (8.96)	1430 (6.36)	1970 (8.76)	1980 (8.81)	NR (NR)	930 (4.13)	1310 (5.82)	1610 (7.16)	1800 (8.00)
2	3/4" to 1 1/4"	(19.0 to 31.7)	1265 (5.62)	2015 (8.96)	NR (NR)	NR (NR)	NR (NR)	NR (NR)	NR (NR)	NR (NR)	NR (NR)	NR (NR)

	Fits Flange Width Range	
	in.	(mm)
4-6	4"-6"	(101.6-152.4)
6-8	6"-8"	(152.4-203.2)
8-10	8"-10"	(203.2-254.0)
10-12	10"-12"	(254.0-304.8)
12-14	12"-14"	(304.8-355.6)
14-16	14"-16"	(355.6-406.4)
16-18	16"-18"	(406.4-457.2)



Eaton's B-Line series seismic bracing components are designed to be compatible only with other B-Line series bracing components, resulting in a listed seismic bracing assembly. Eaton B-Line Division warranty for seismic bracing components will be the warranty provided in Eaton B-Line Division standard terms and conditions of sale made available by Eaton, except that, in addition to the other exclusions from Eaton B-Line Division warranty, Eaton makes no warranty relating to B-Line series seismic bracing components that are combined with products not provided by Eaton.

All dimensions in charts and on drawings are in inches. Dimensions shown in parentheses are in millimeters unless otherwise specified.